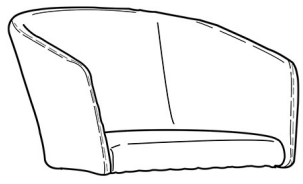


A



1 PC

B



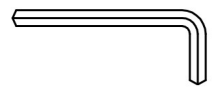
1 PC

C

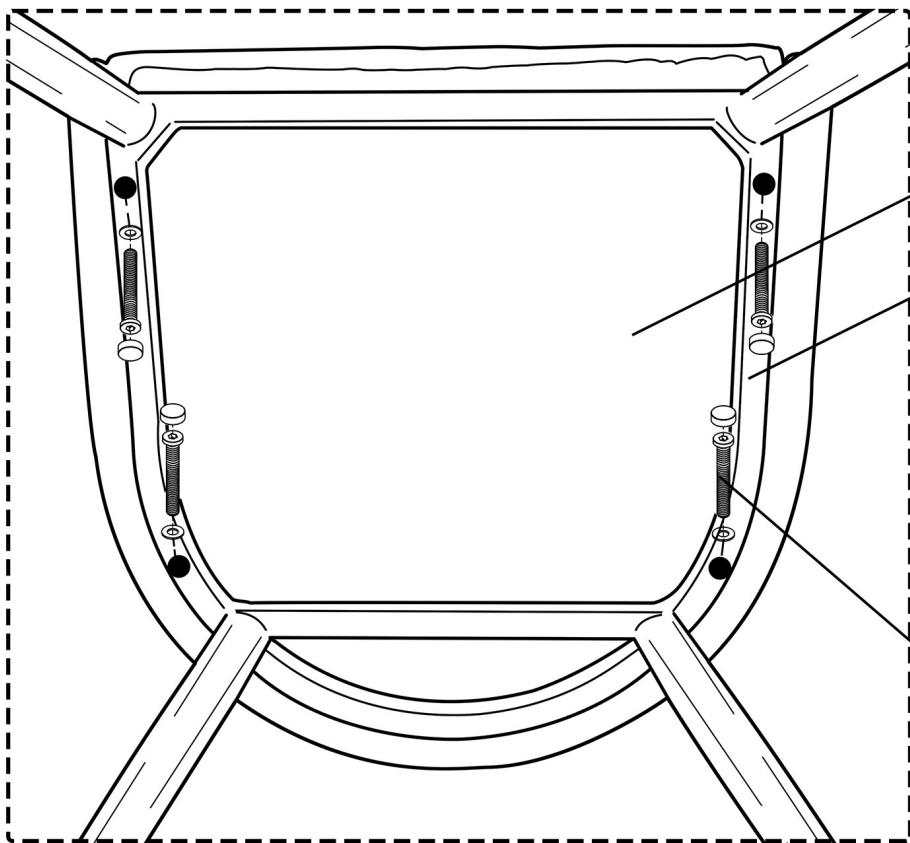


4 PCS

D



1 PCS

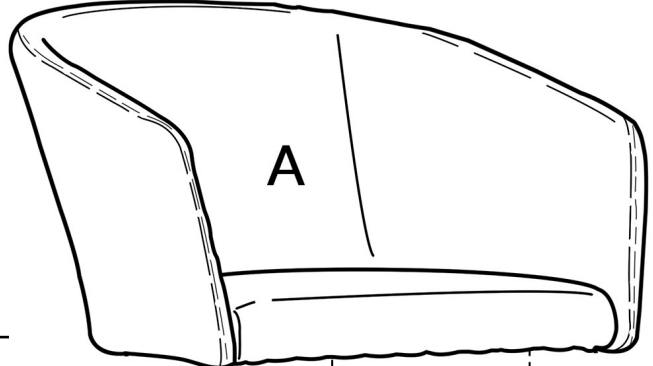


At the bottom of the chair

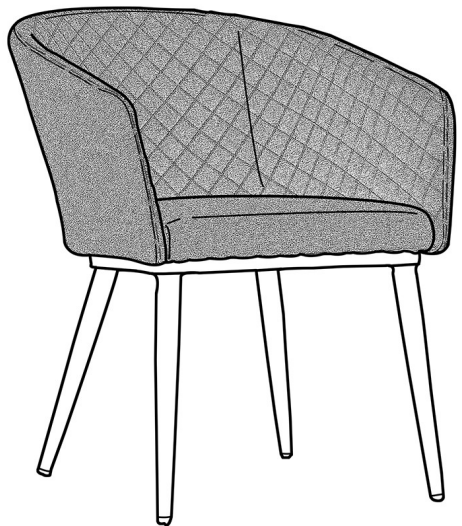
A

B

C



B



Finish

