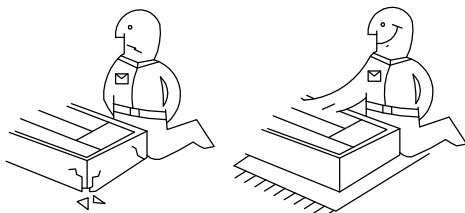
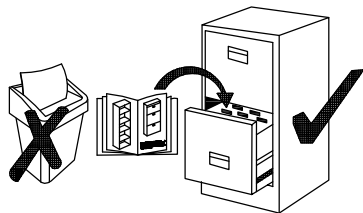
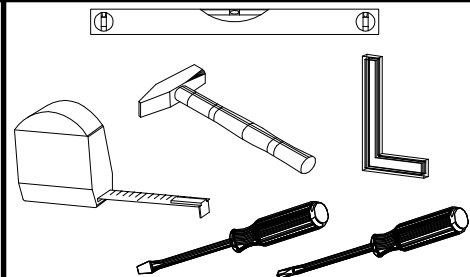
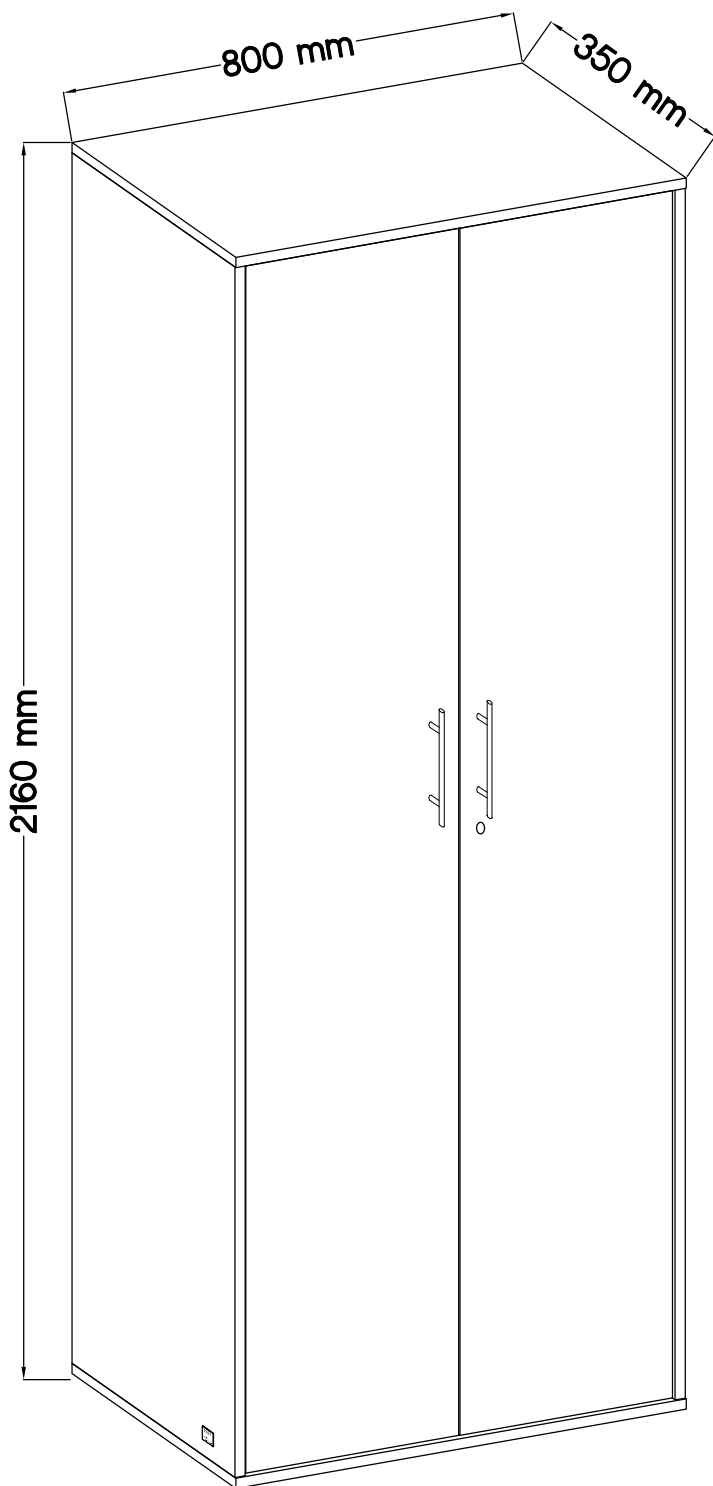


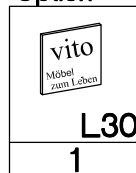
Finito Vito Pronto 70-246



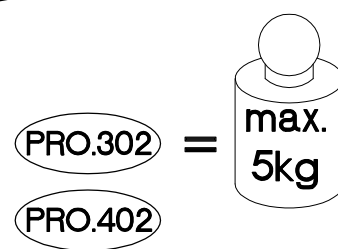
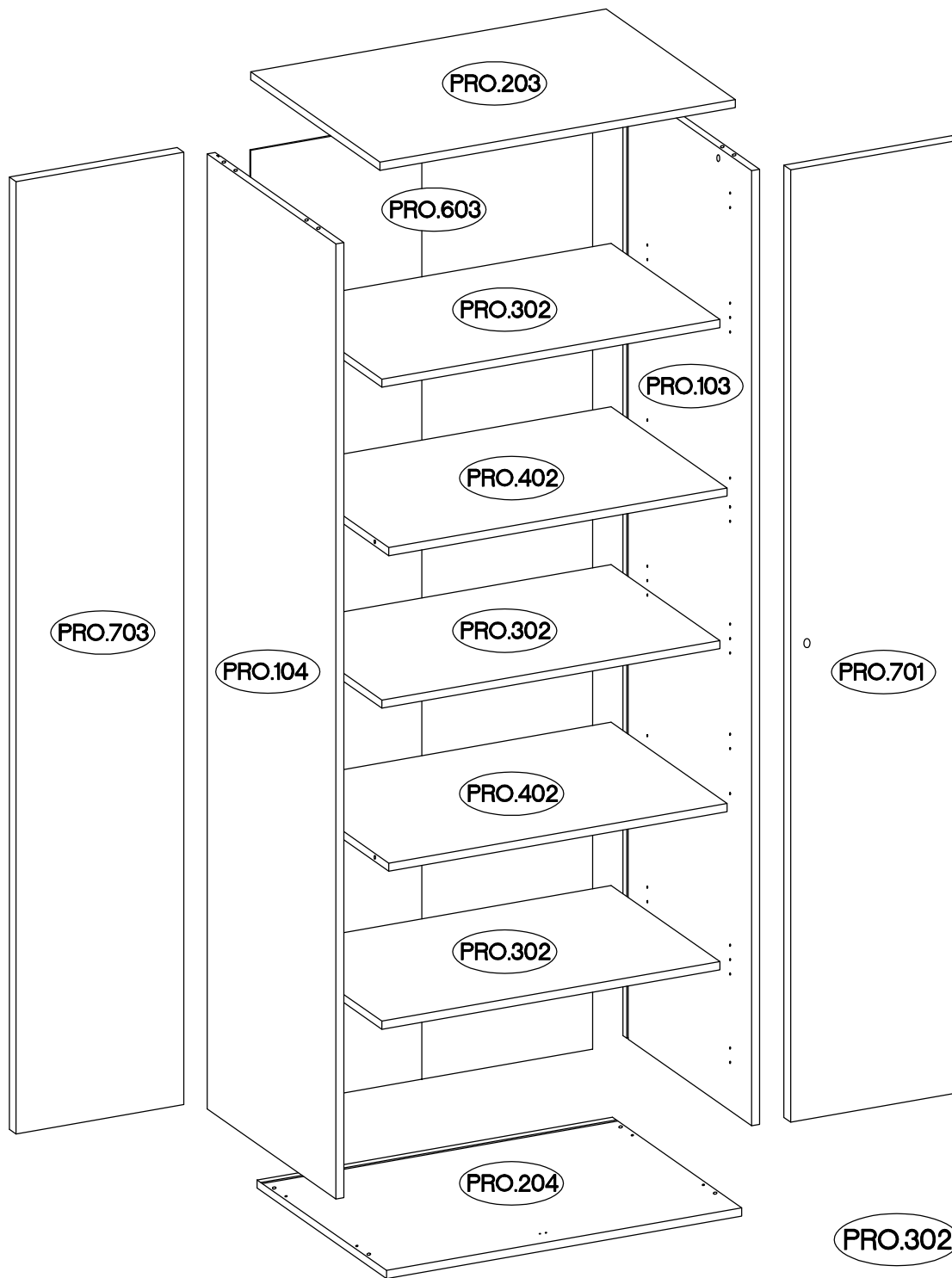
- 70-246-T2
- 70-246-T3
- 70-246-G0



Option



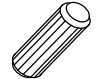




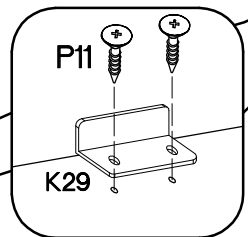
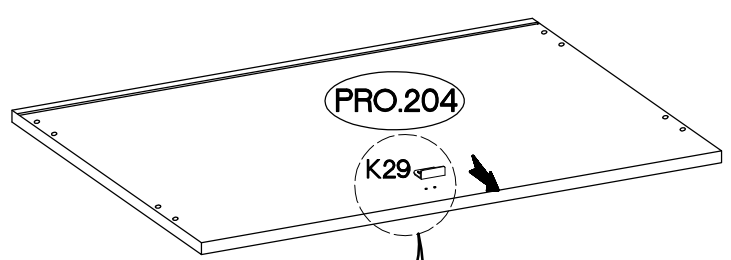
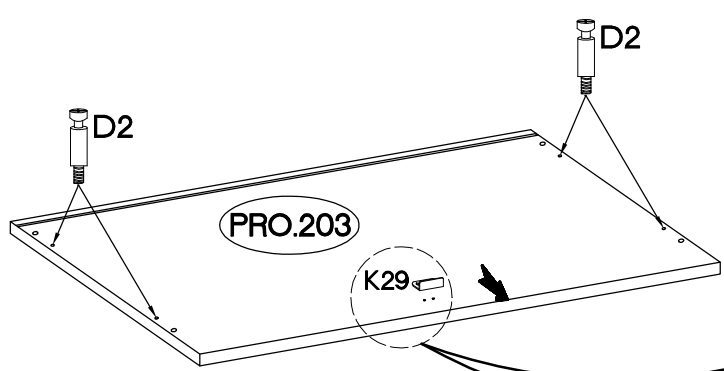
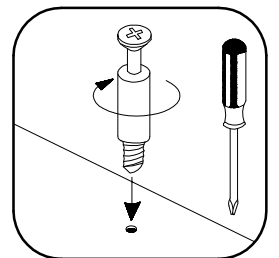
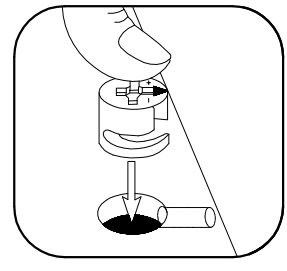
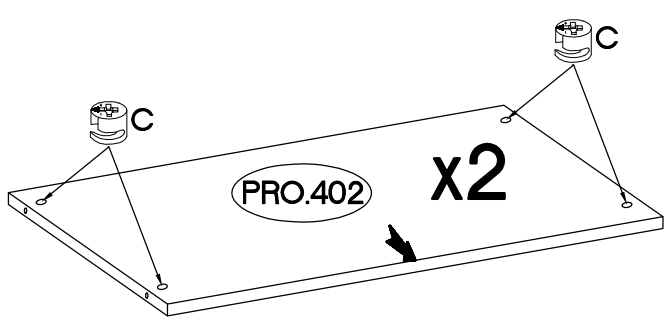
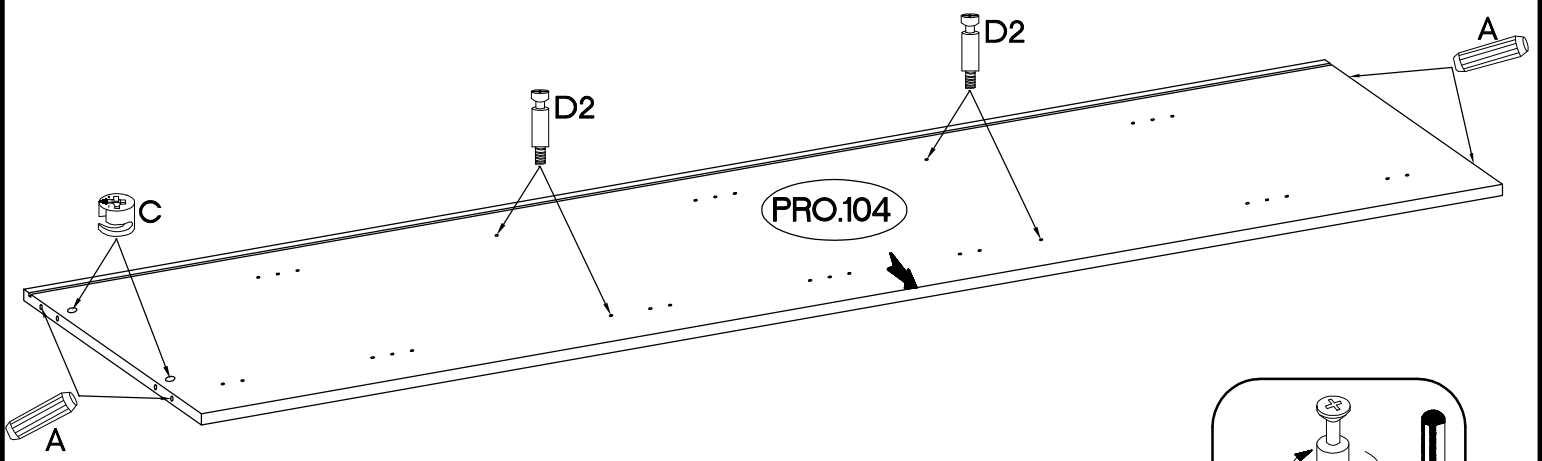
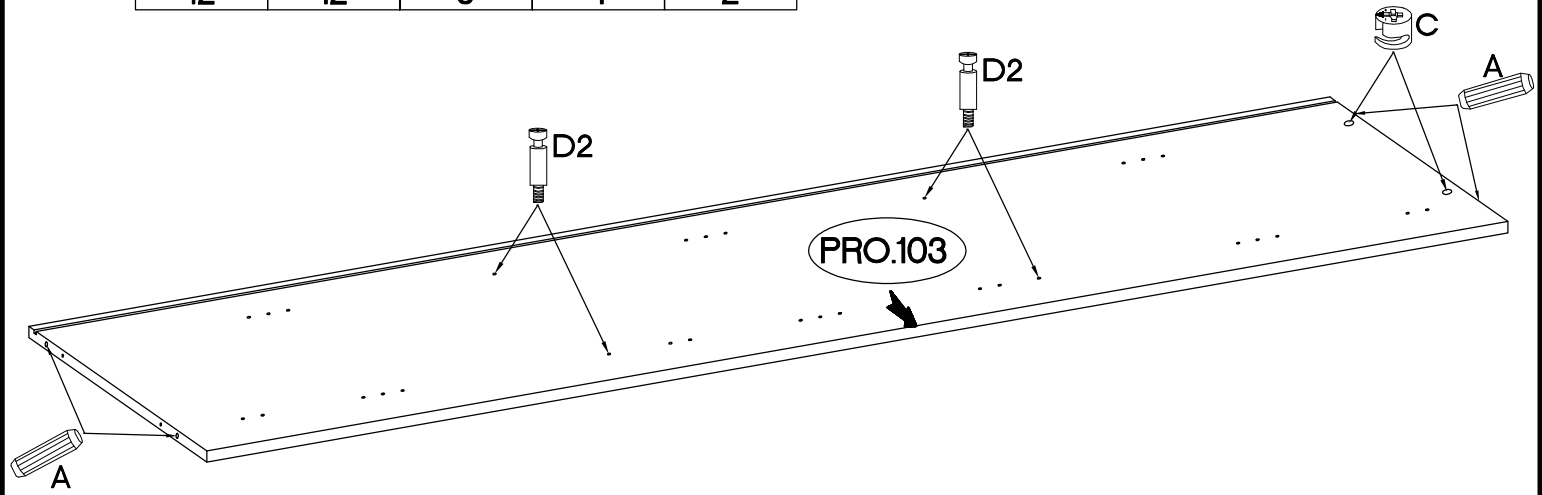
$\pm 4.0 \times 30 \text{ mm}$ R2 4	$\pm 5/16 \text{ mm}$ J3 12	 K29 2		
$\pm 10 \times 50 \text{ mm}$ O7 1	$\pm 3.5 \times 13 \text{ mm}$ P5 18	$\pm 5.0 \times 60 \text{ mm}$ P12 1	6,4 x 50 mm B 4	 O 1
 K30 1	 Z3 1	 L29 2	H=0 H 8	 L 12
 E 12	 L19 1	 S23 2	$\pm 4.0 \times 30 \text{ mm}$ R12 4	$\pm 35/16 \text{ mm}$ G2 8
$\pm 15/12 \text{ mm}$ C 12	L=20mm D2 12	$\pm 8 \times 30 \text{ mm}$ A 8	6.5x48x16 F2 4	$\pm 3.0 \times 16 \text{ mm}$ P11 27



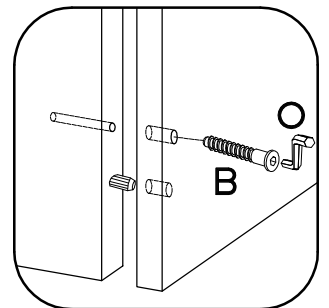
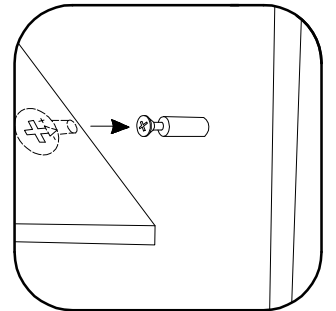
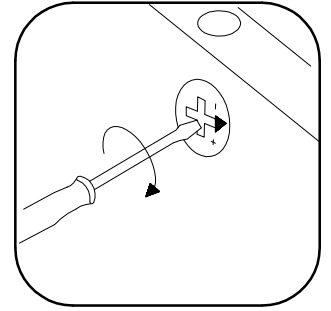
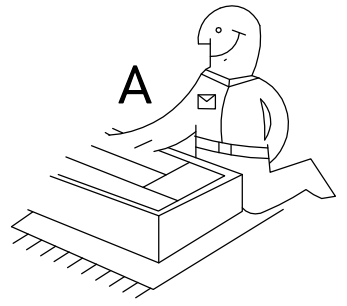
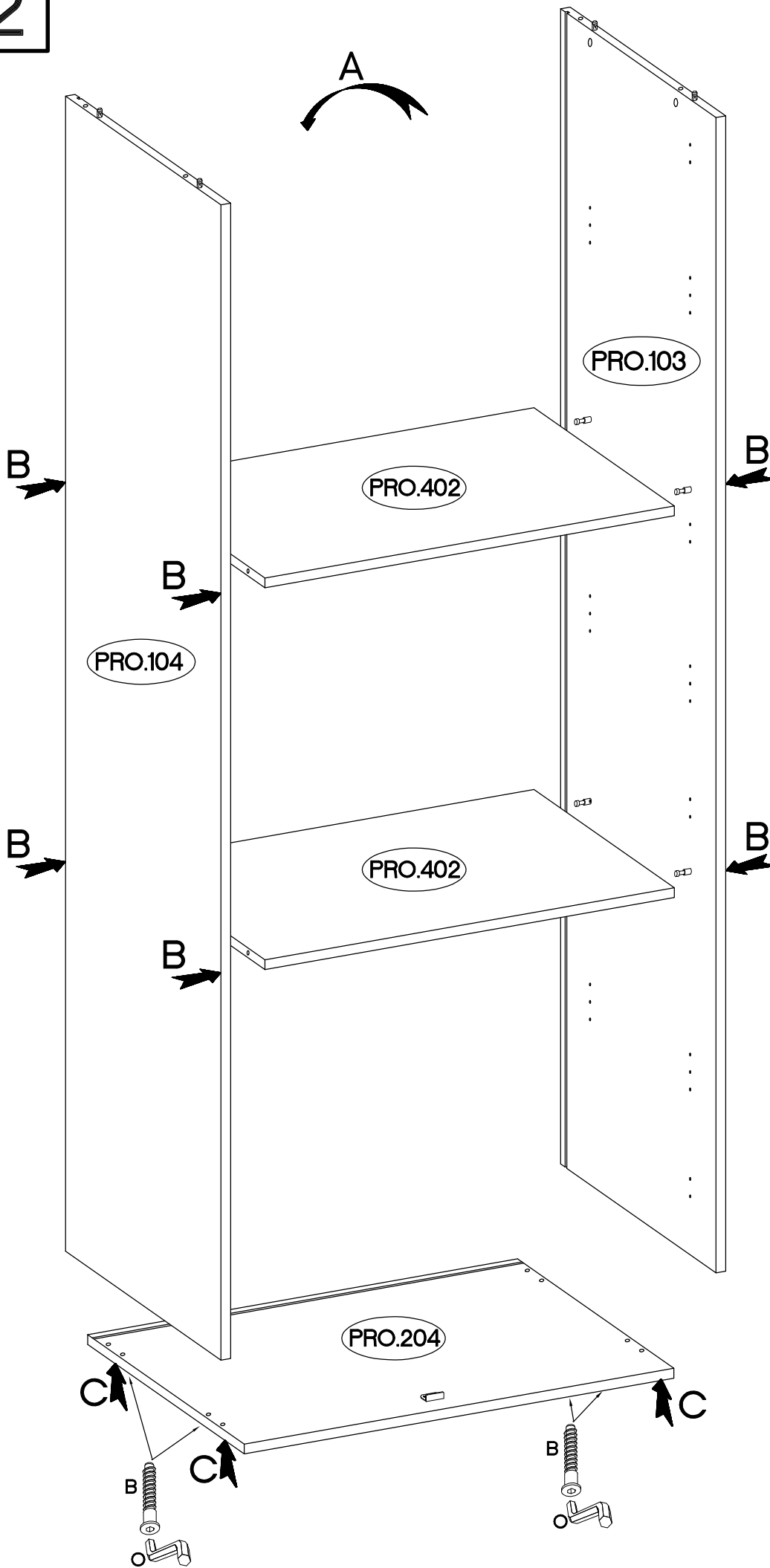
Coli	Ersatzteil Nummer	Dimension	Coli	Ersatzteil Nummer	Dimension
1/2	PRO.103	218x348x18	2/2	PRO.203	800x350x18
	PRO.104	218x348x18		PRO.204	800x350x18
	PRO.302 x3	761x294x18		PRO.603	2127x770x2,5
	PRO.402 x2	762x314x18		PRO.701	2112x378x18
				PRO.703	2112x378x18


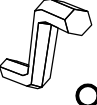
1

∅15/12mm 	L=20mm 	∅8x30mm 	∅3.0x16mm 	
C	D2	A	P11	K29
12	12	8	4	2

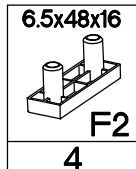
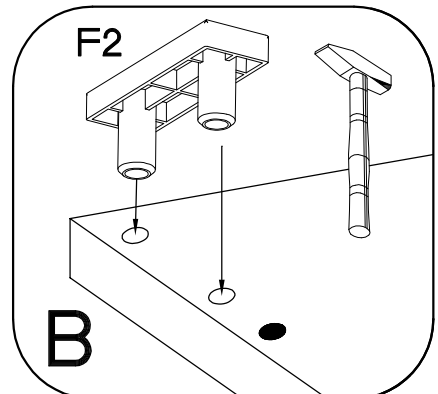
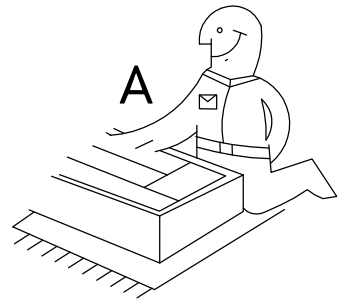
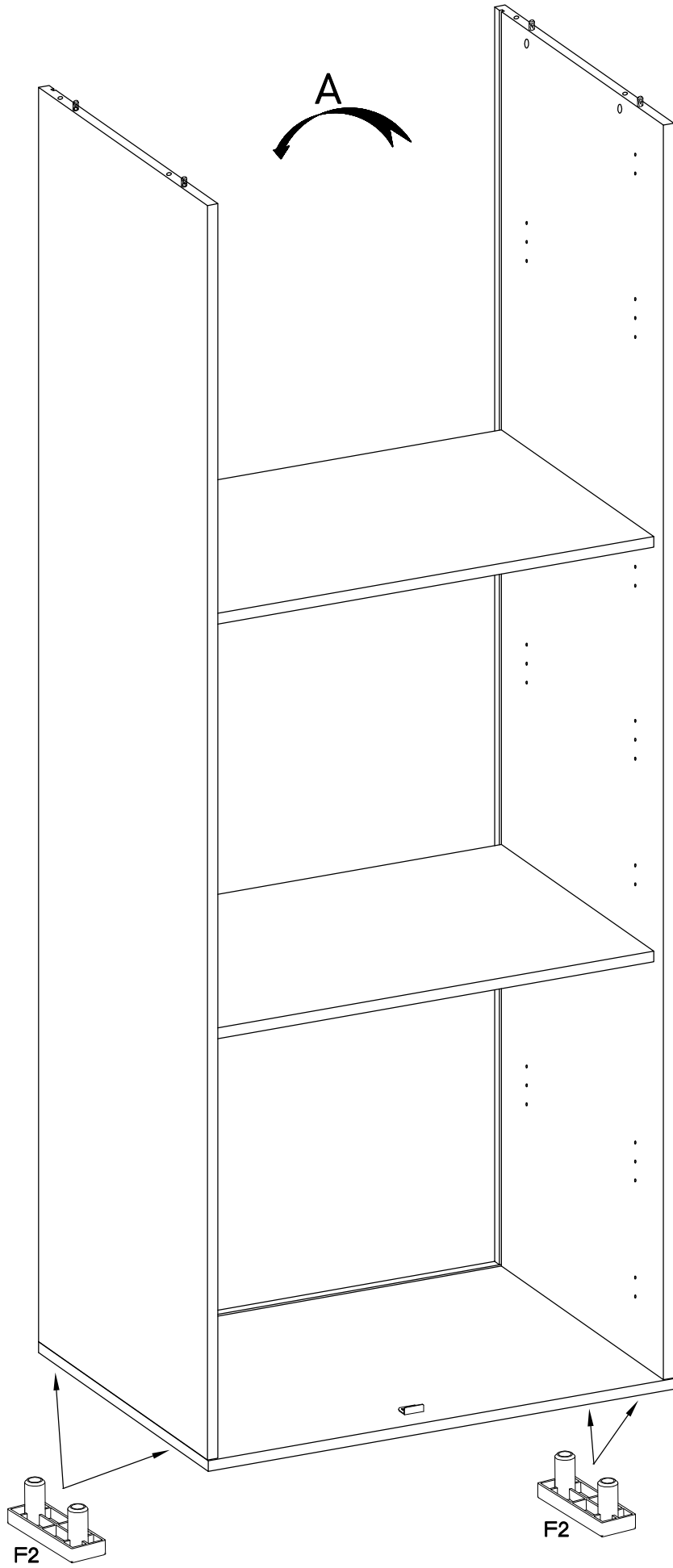


2

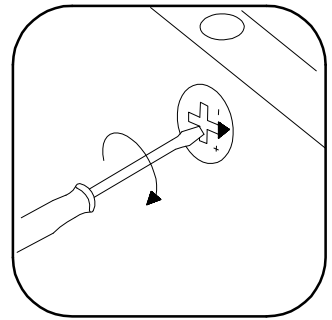
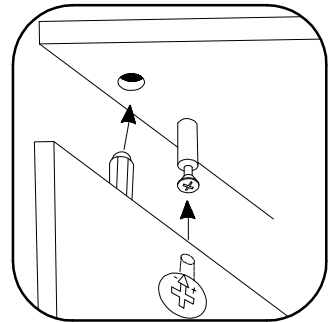
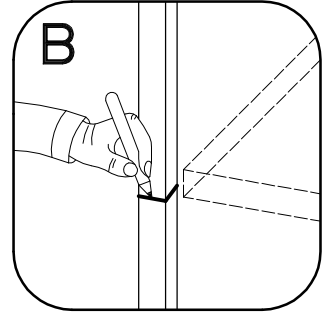
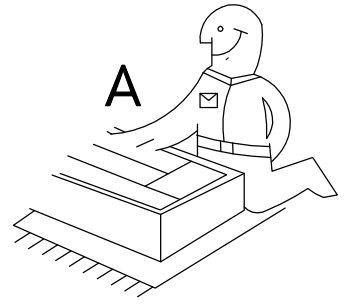
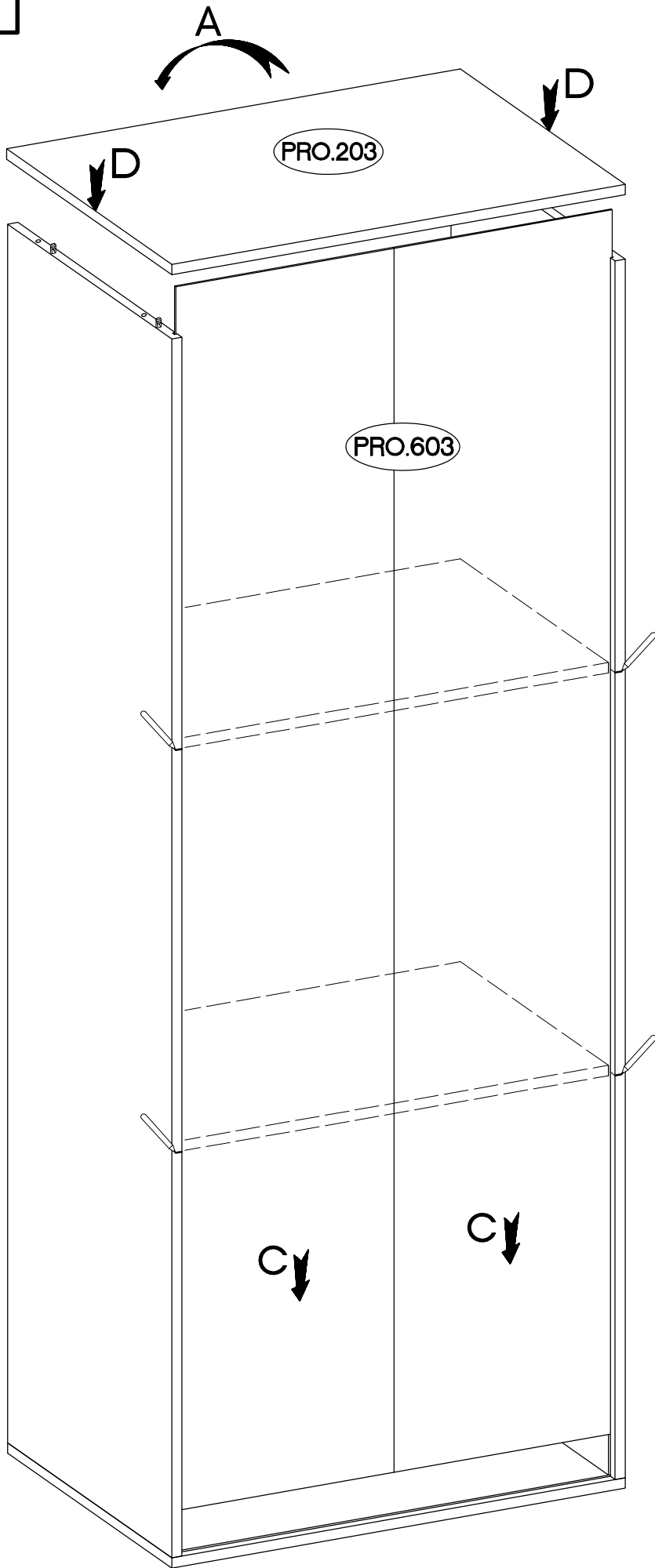


6,4 x 50mm		
	B	O
4		1

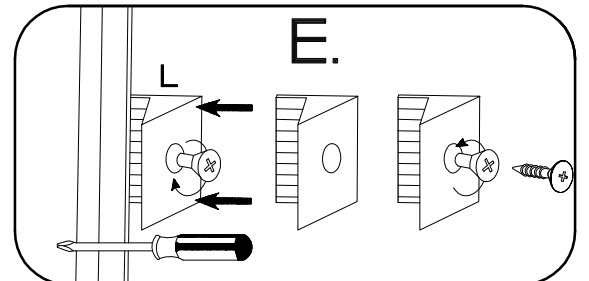
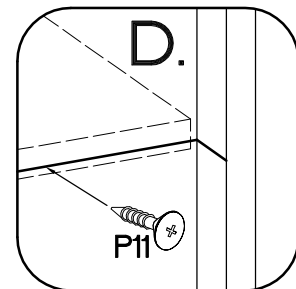
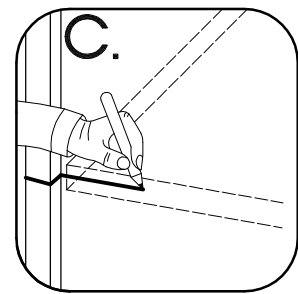
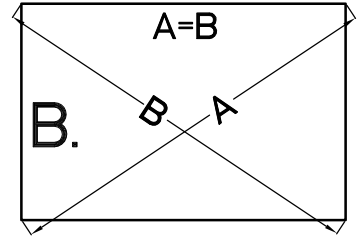
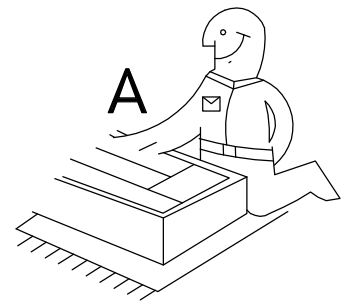
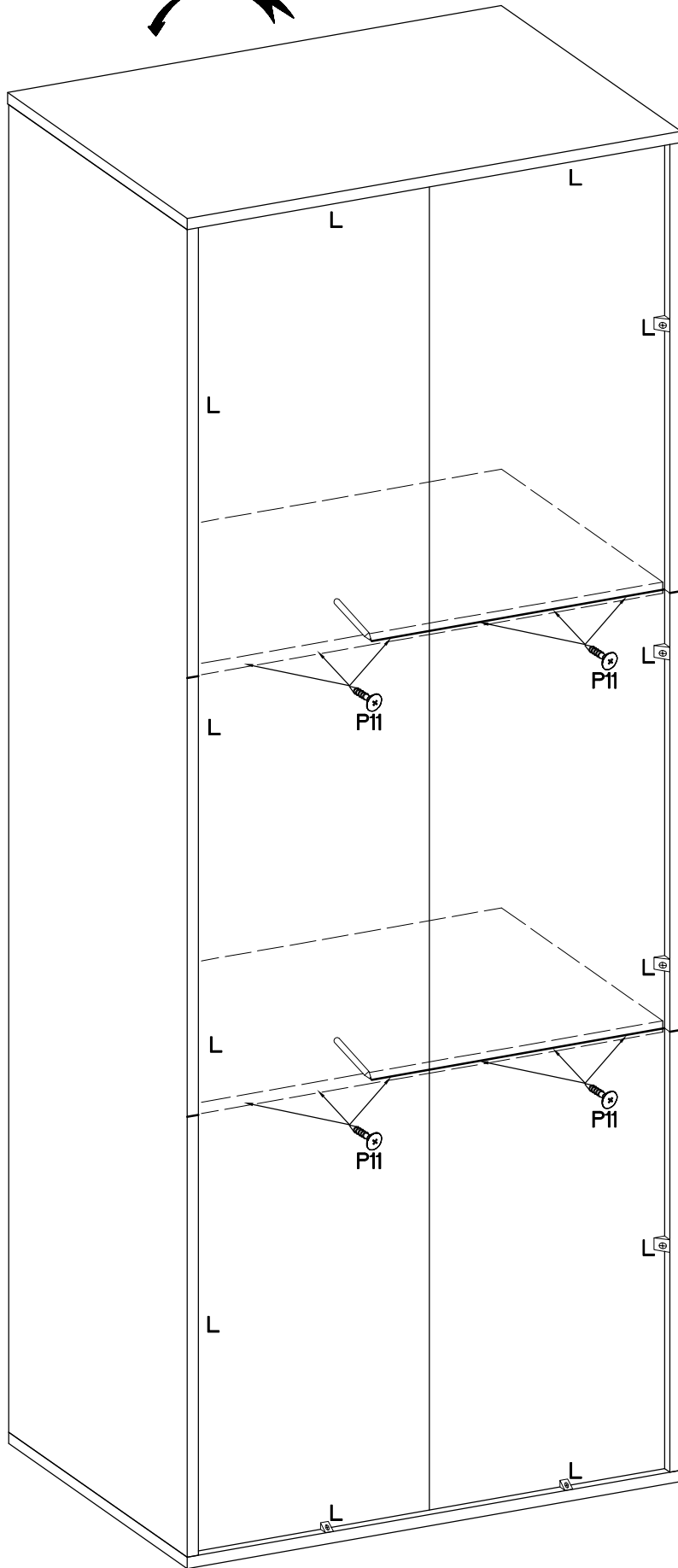
3

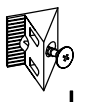



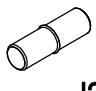
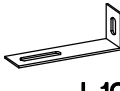



4

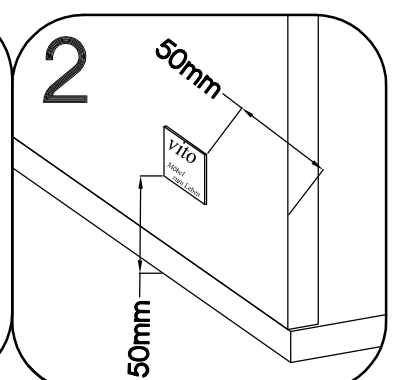
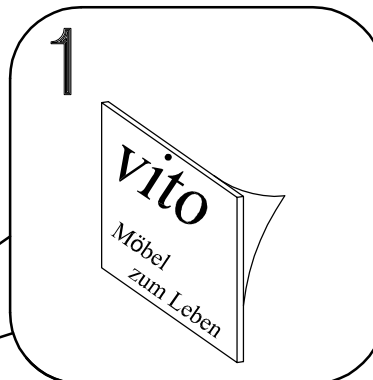
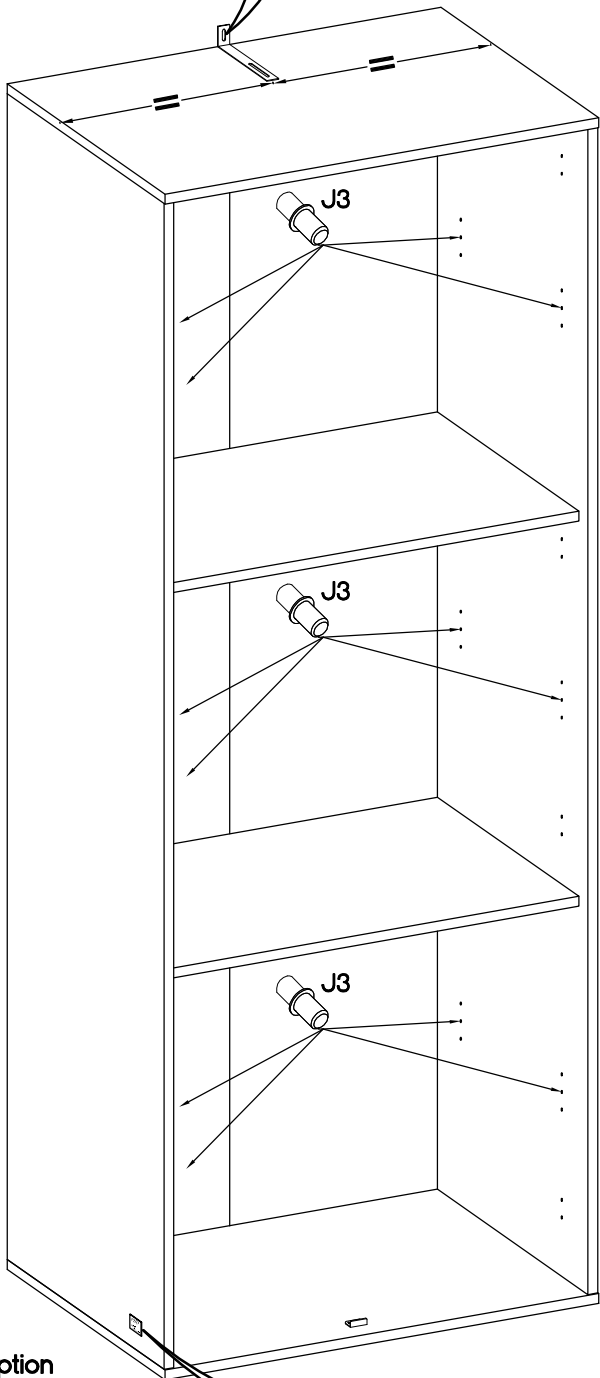
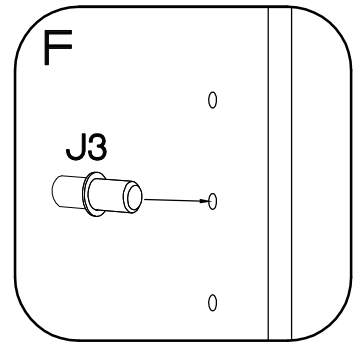
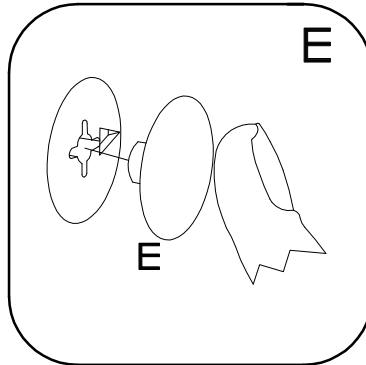
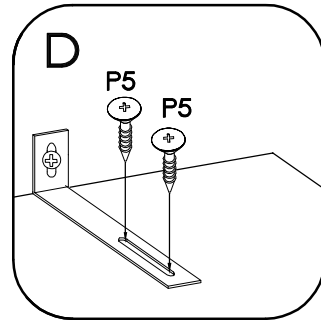
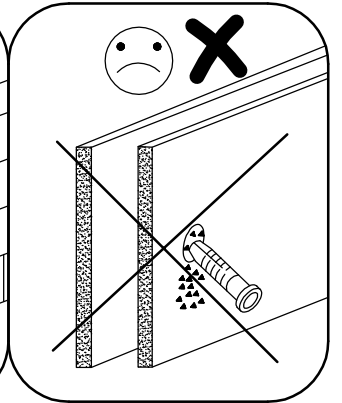
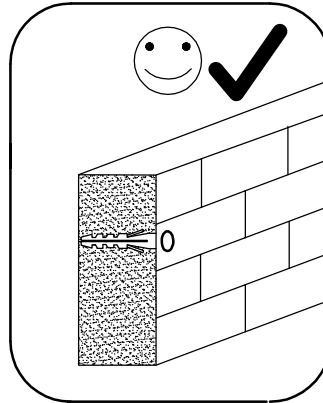
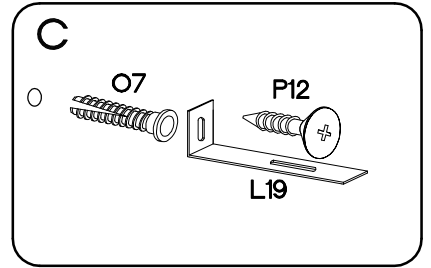
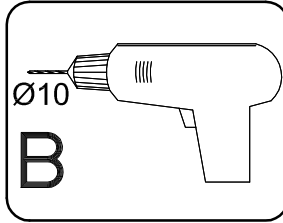
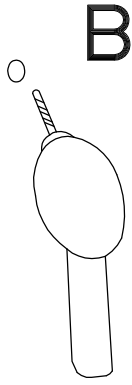
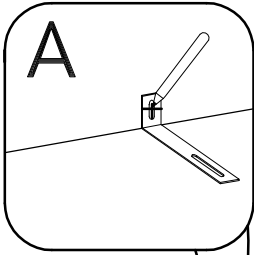


5



	$\pm 3.0 \times 16 \text{mm}$
L	P11
12	12

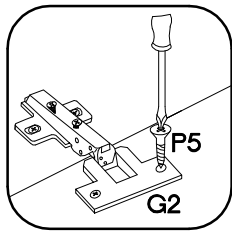
	$\pm 5/16$ mm 	$\pm 3.5 \times 13$ mm 	$\pm 3.5 \times 13$ mm 	$\pm 10 \times 50$ mm 	$\pm 5.0 \times 60$ mm 
E	J3	L19	P5	O7	P12
12	12	1	2	1	1



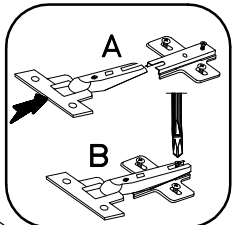
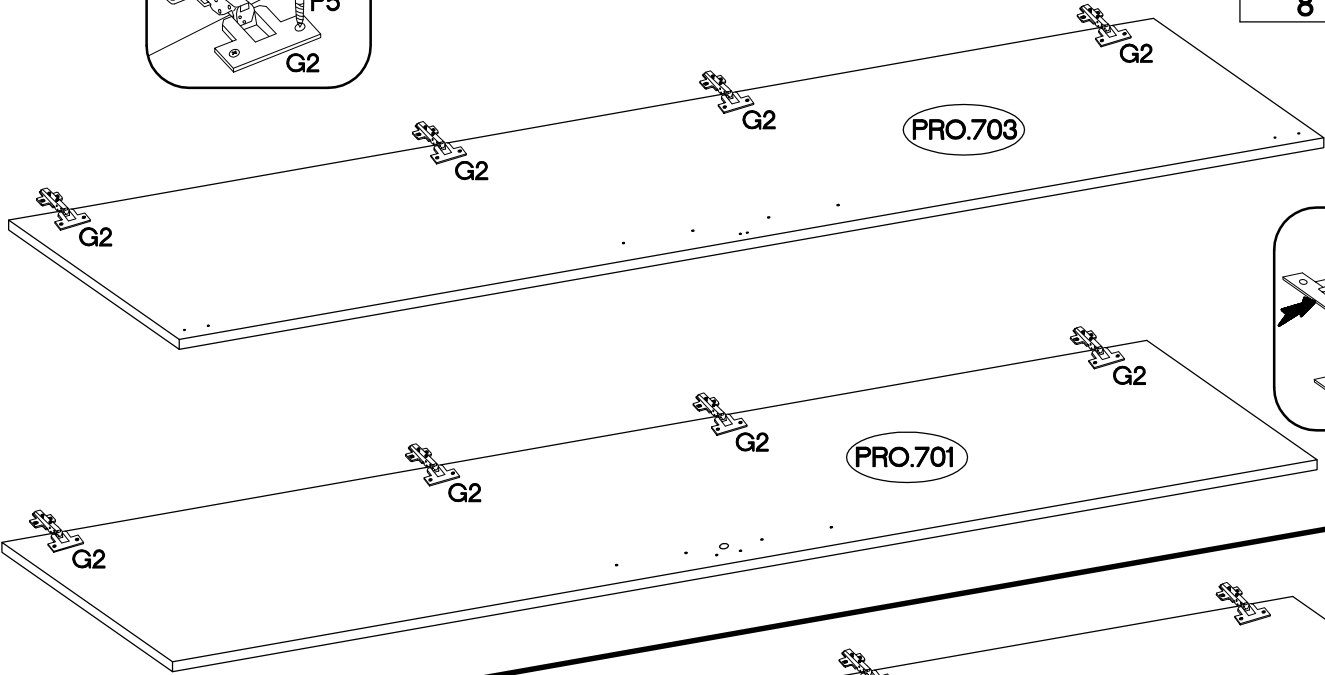
Option



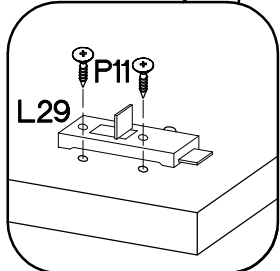
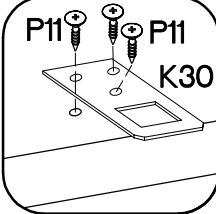
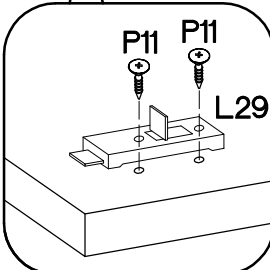
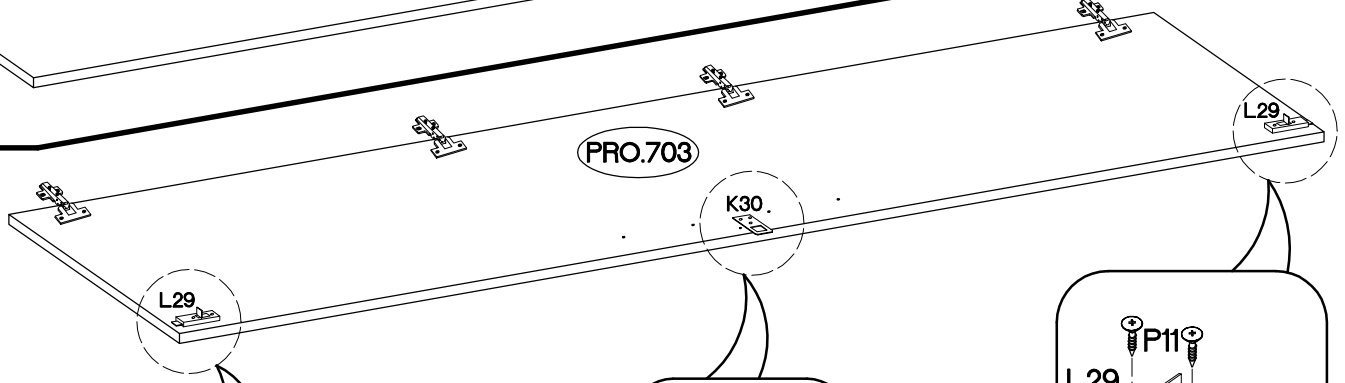
7



+35/16mm	+3.5x13mm
G2	P5
8	16
	H-0
	H
	8

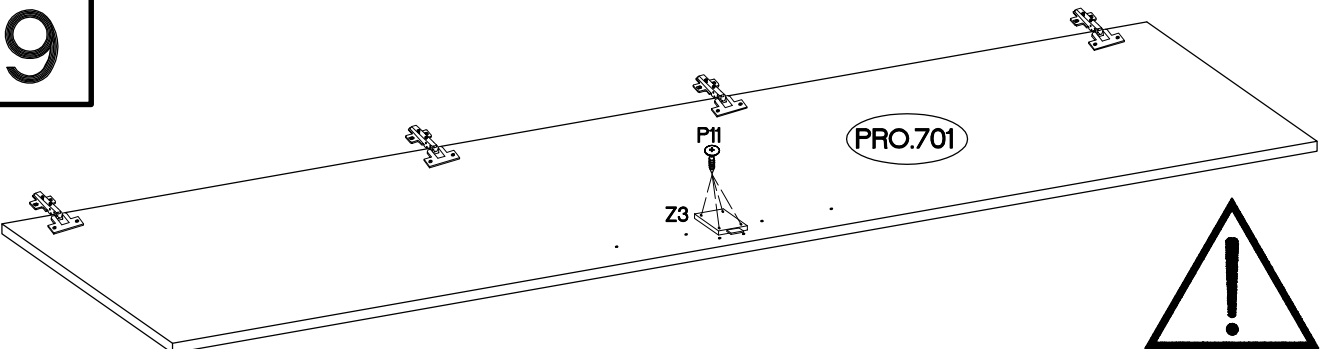


8

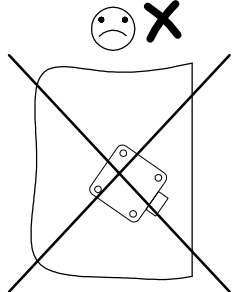
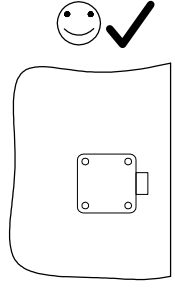
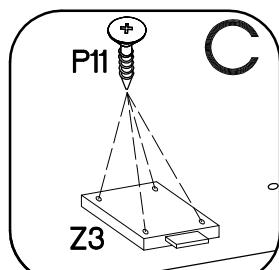
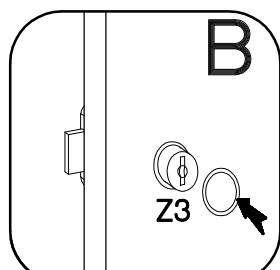
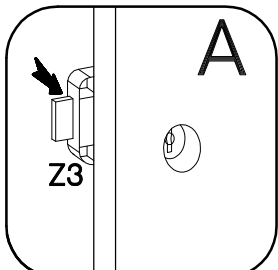




L29	
2	
	+3.0x16mm
K30	
1	P11
	7

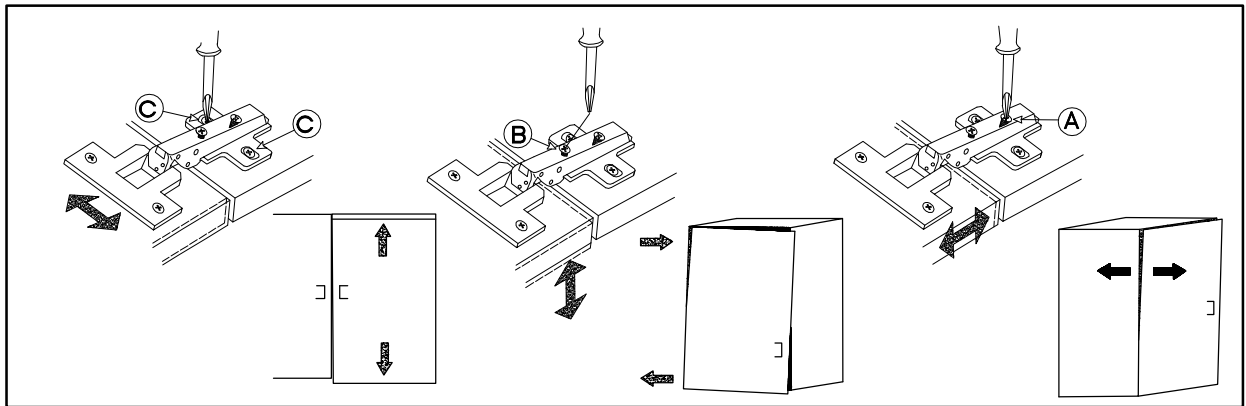
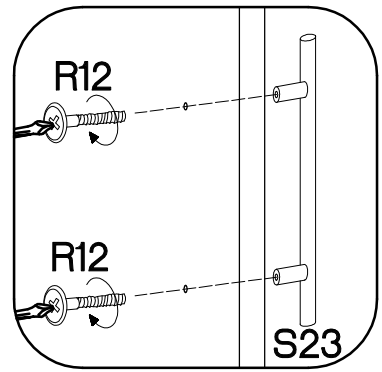
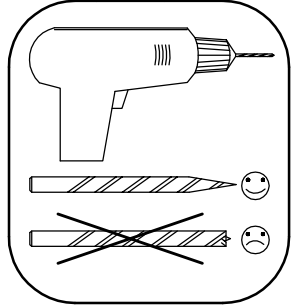
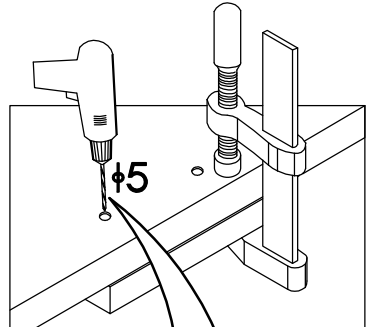
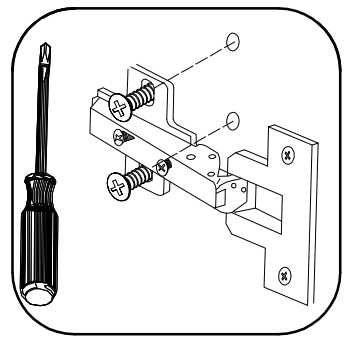
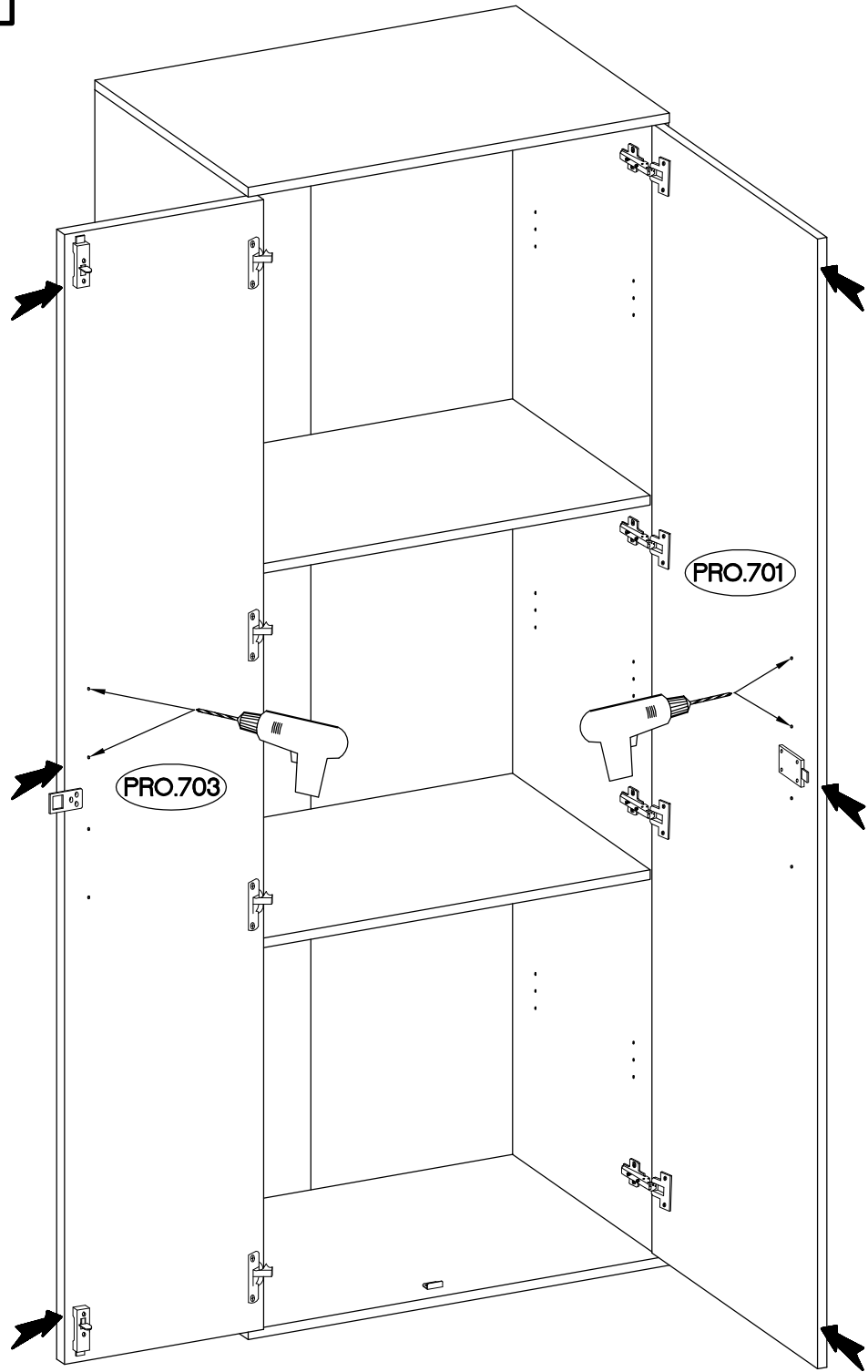
9

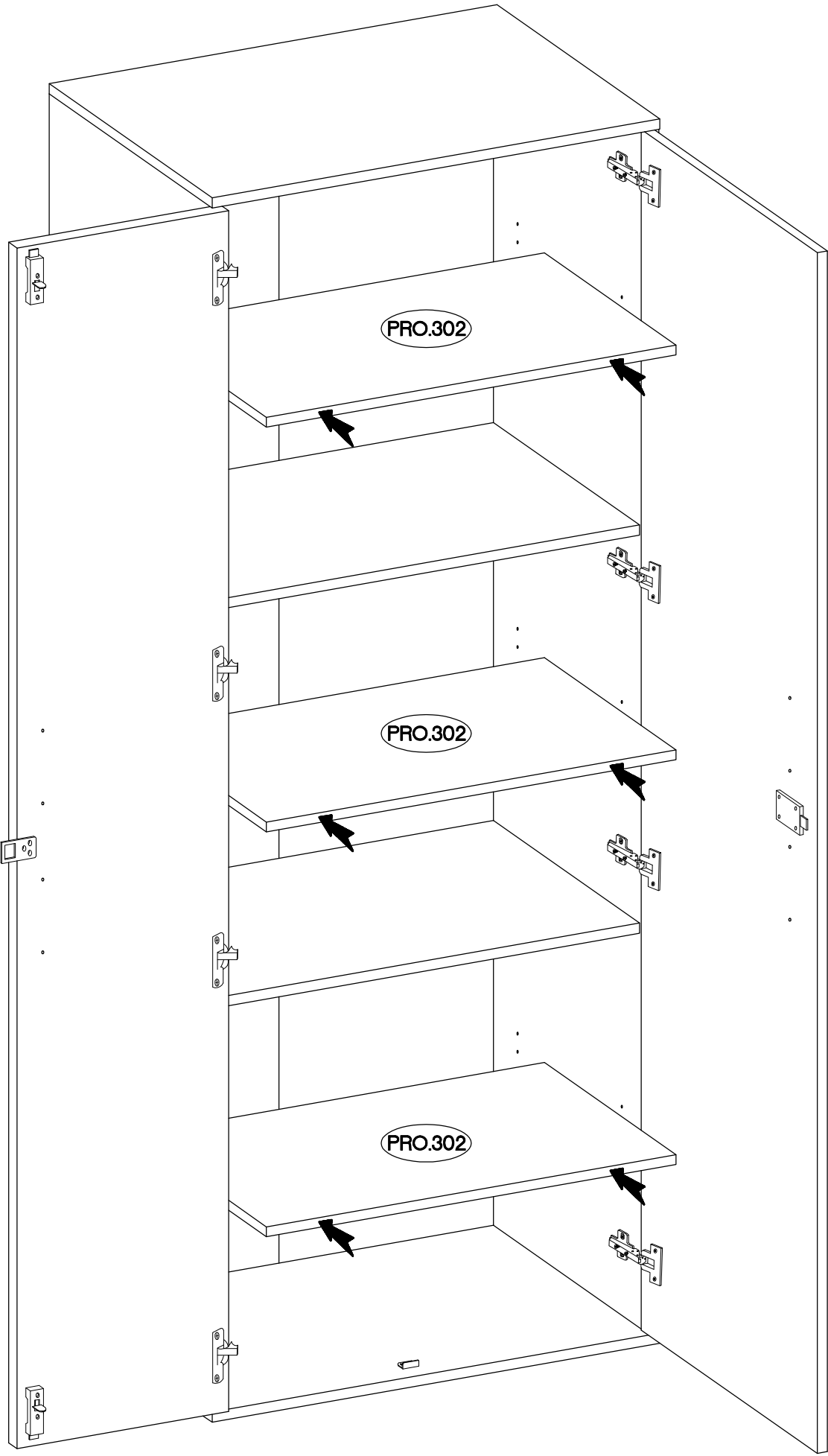



Z3	
1	
+3.0x16mm	
P11	
4	



	+4.0x30mm
S23	
2	R12
	4





4.0x30mm

R2
4

