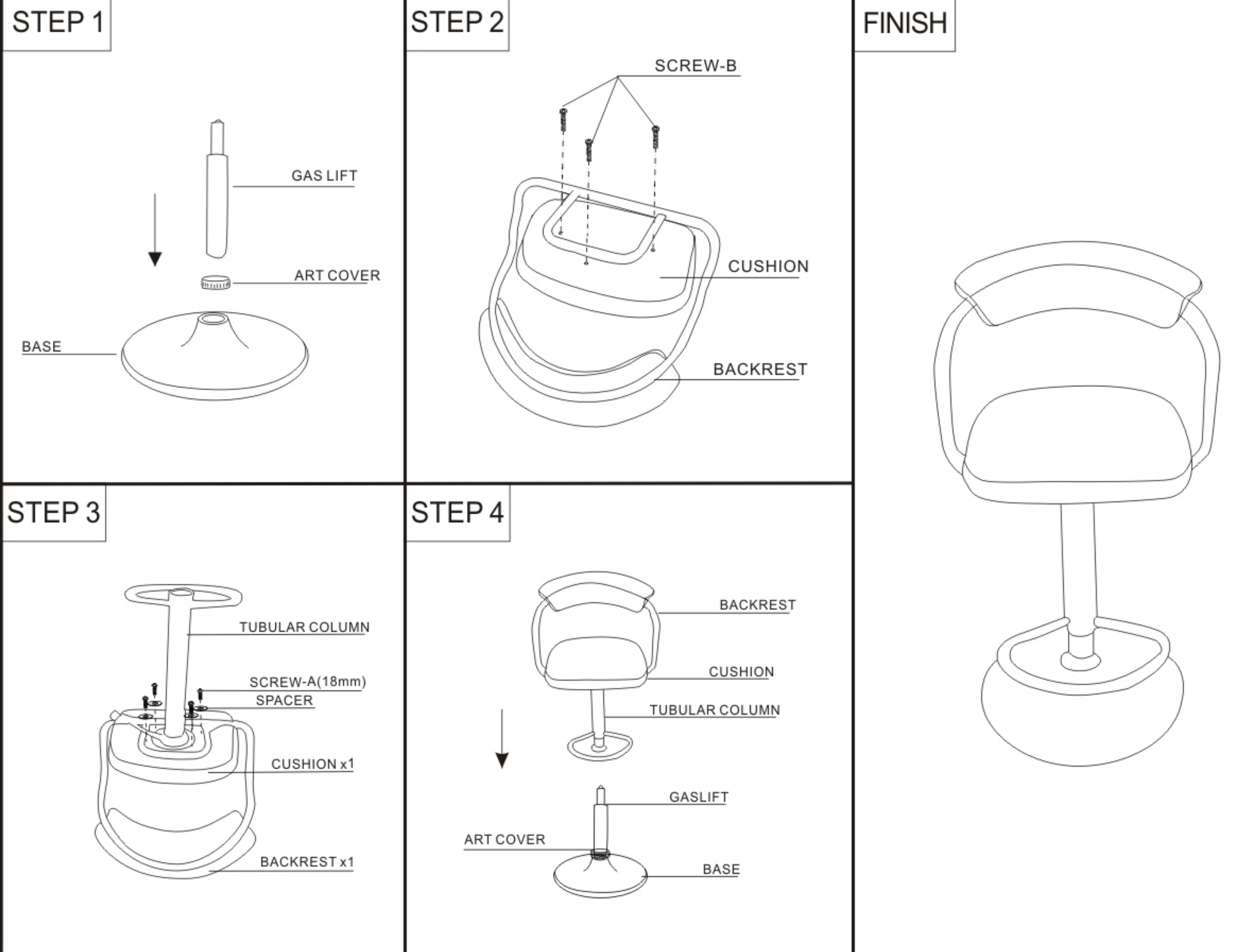


ASSEMBLY INSTRUCTION

▽ PARTS x QTY

▽ ASSEMBLY PROGRAM



BACKREST x1	GASLIFT x1
CUSHION x1	SCREW-A(18mm)x4
TUBULAR COLUMN x1	SCREW-B(32mm) x3
BASE x1	SPACER x4
ART COVER x1	SPANNER x1