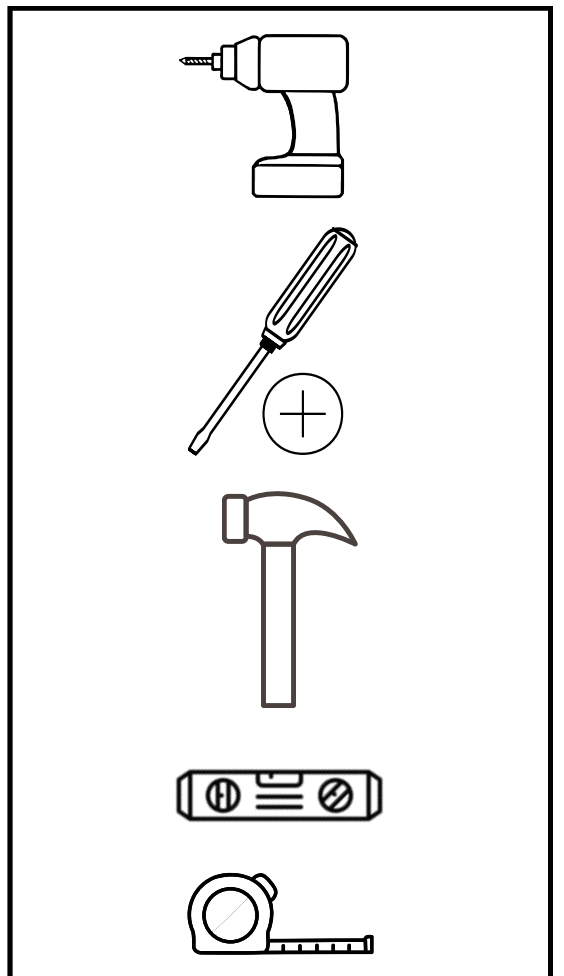
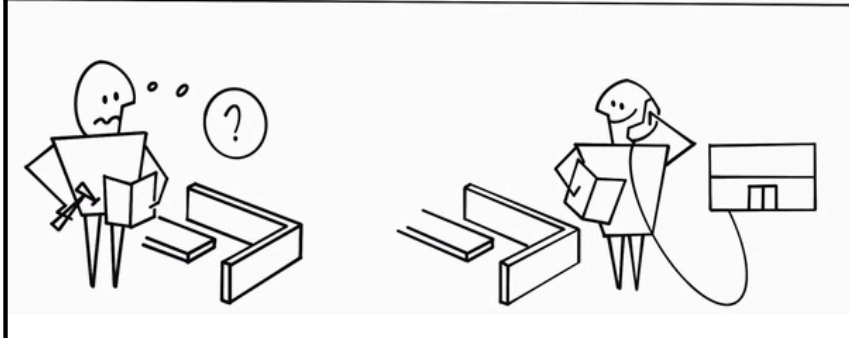
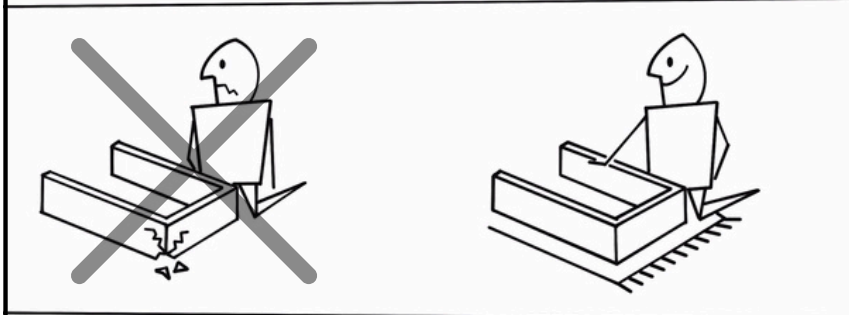
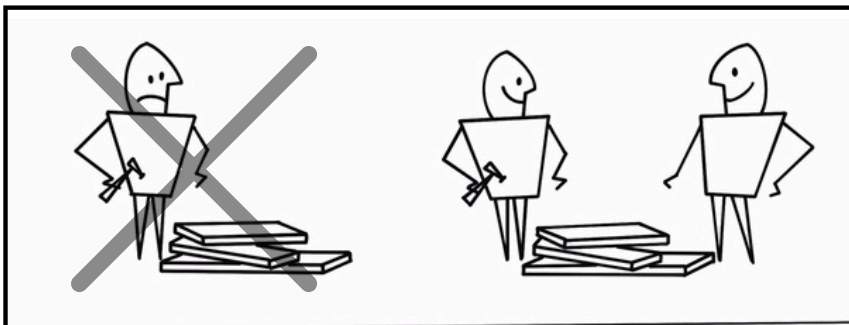
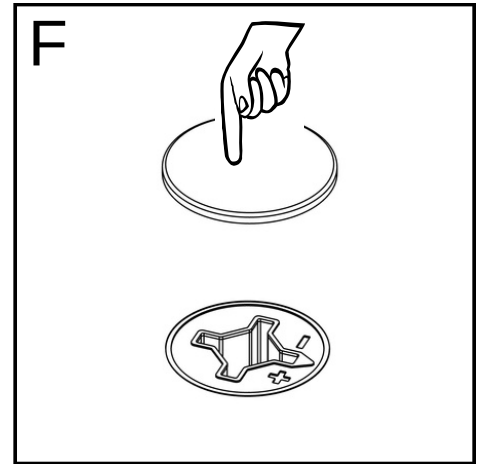
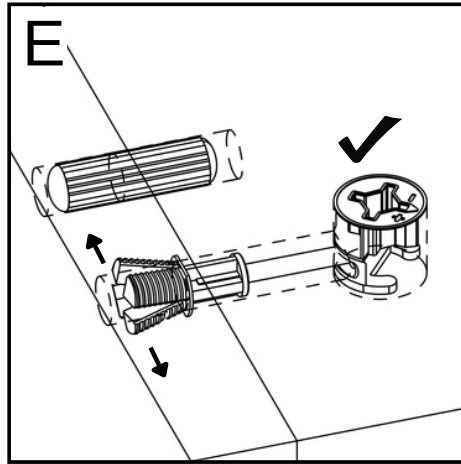
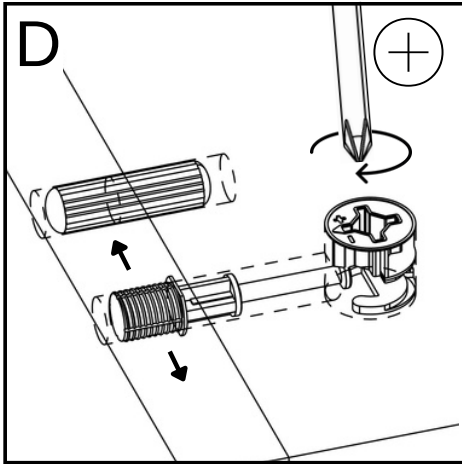
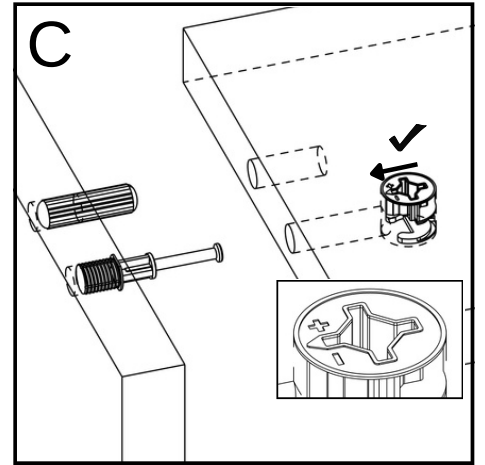
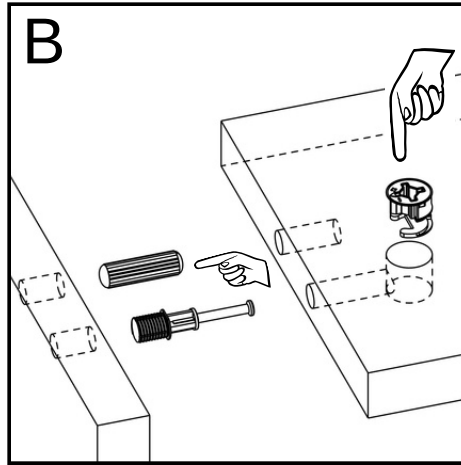
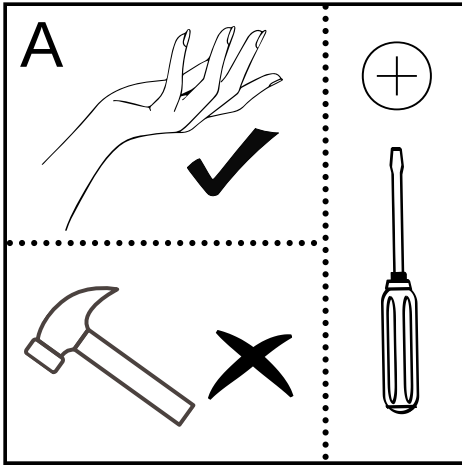
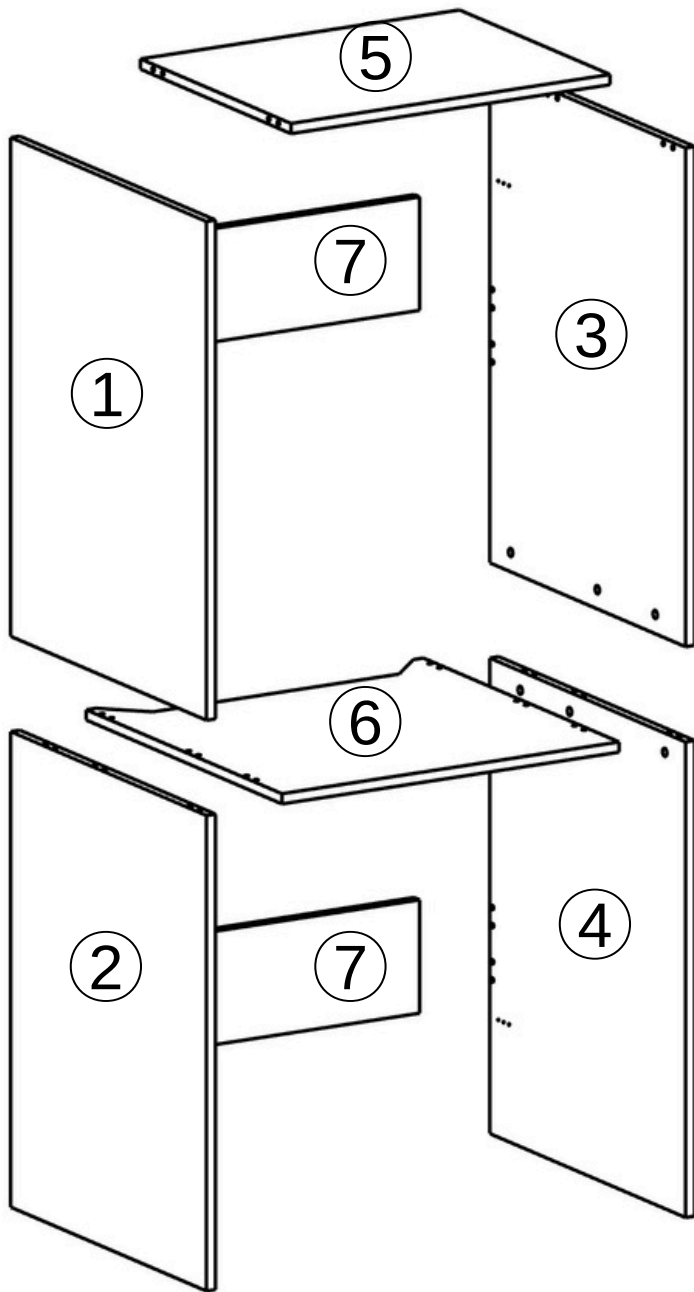
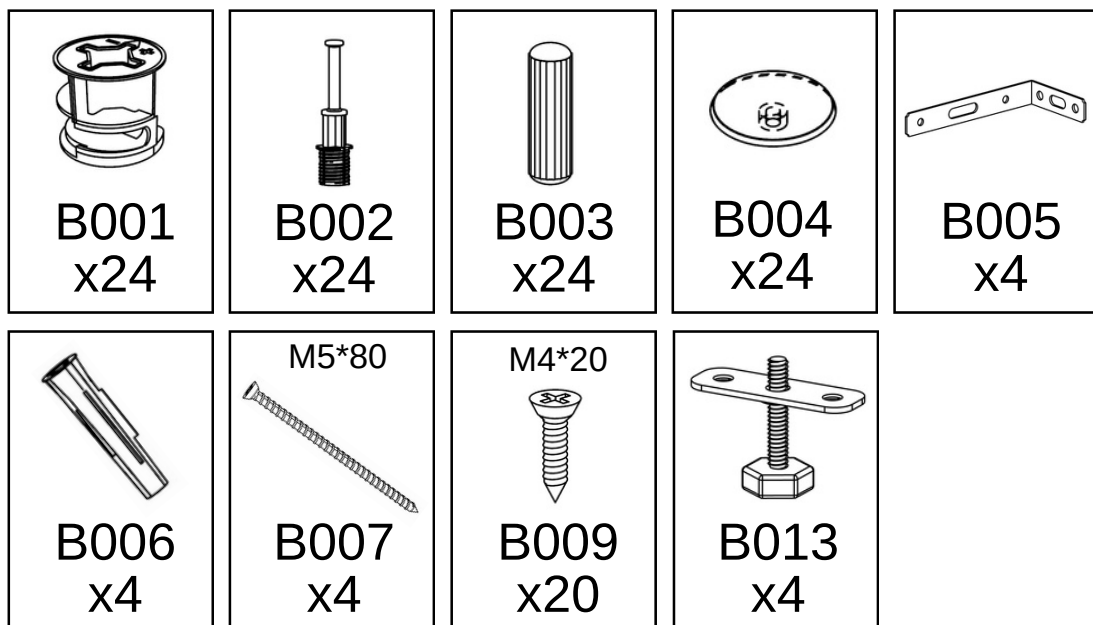


..... DUO






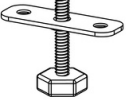


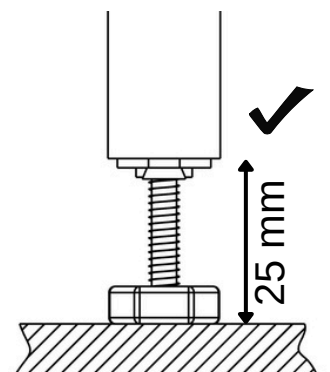
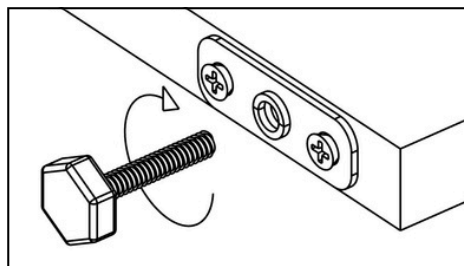
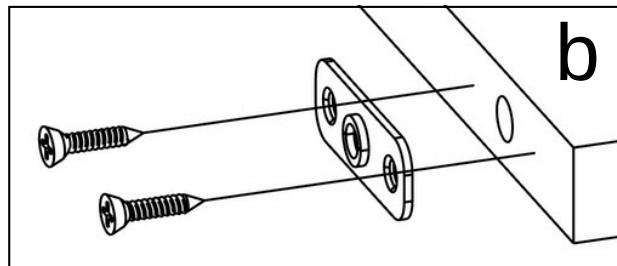
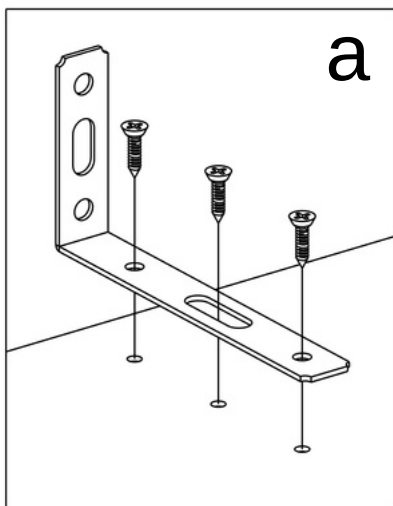
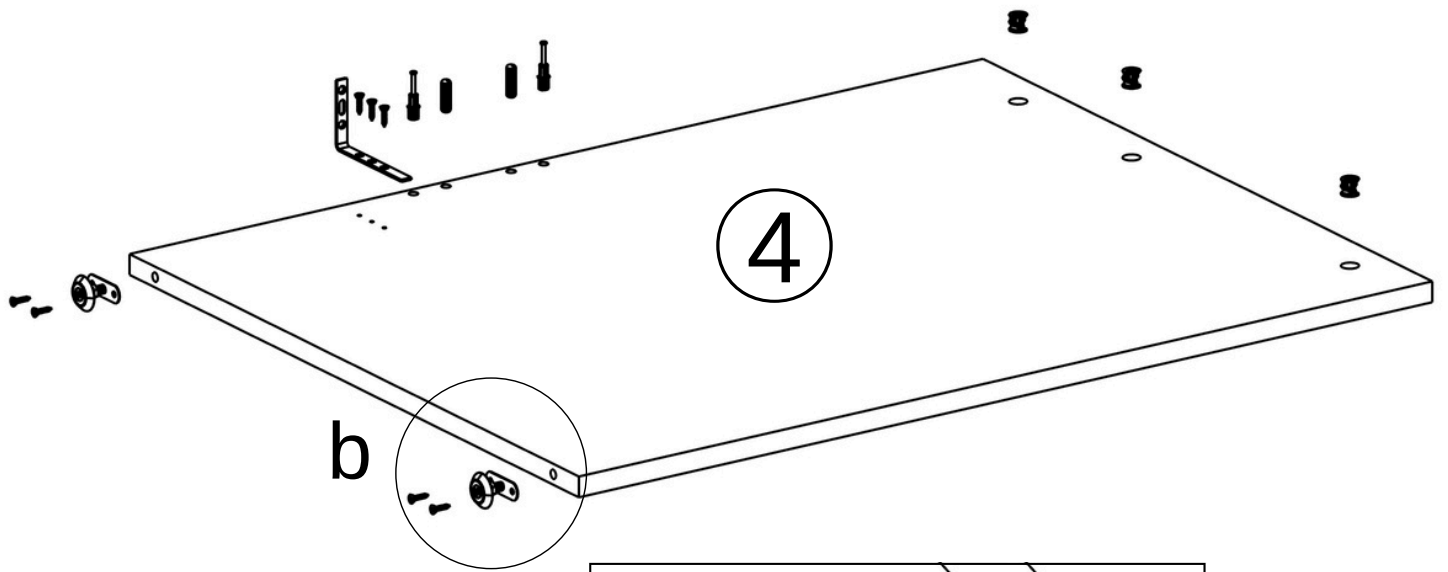
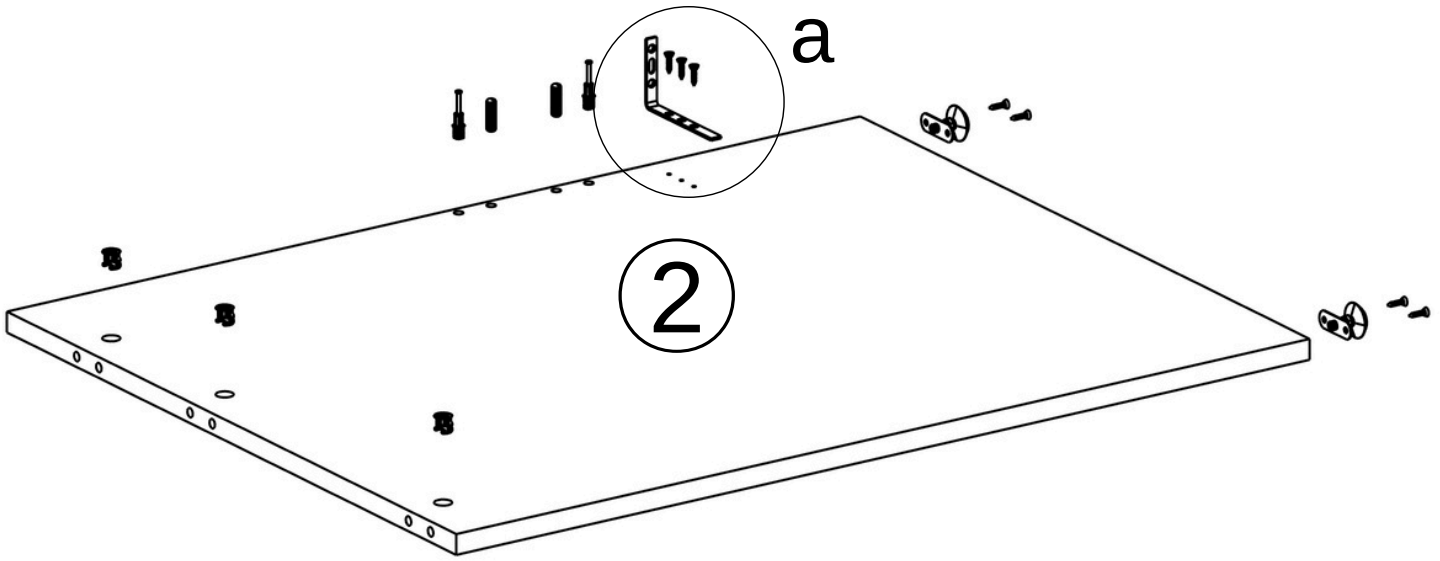


no -	mm
1 - 650 * 880 * 18	x1
2 - 650 * 839 * 18	x1
3 - 650 * 880 * 18	x1
4 - 650 * 839 * 18	x1
5 - 634 * 500 * 18	x1
6 - 670 * 650 * 18	x1
7 - 634 * 200 * 18	x2

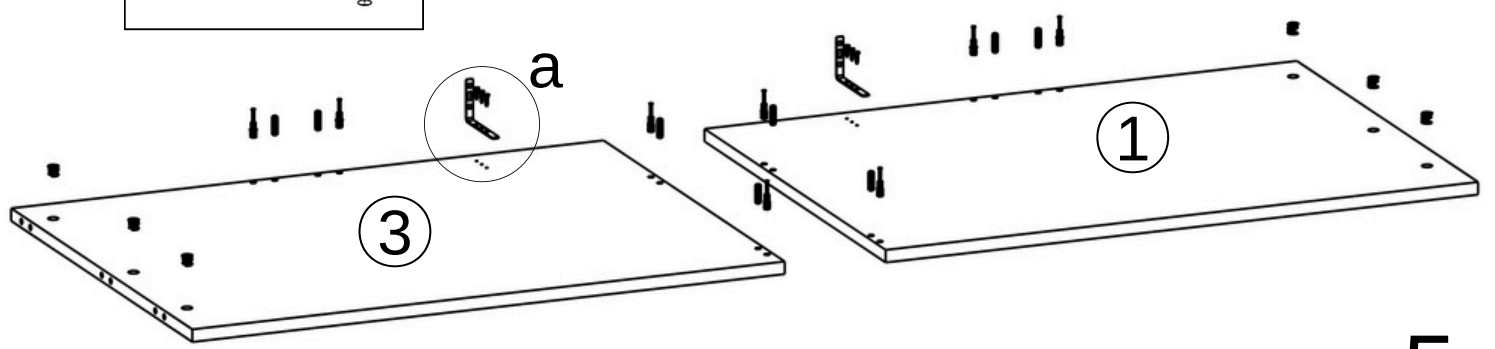
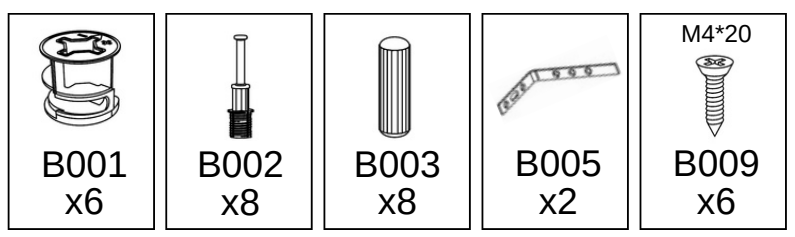
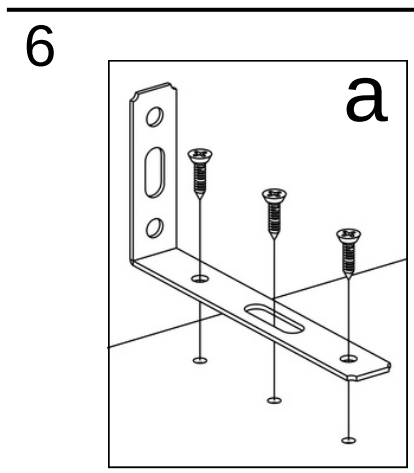
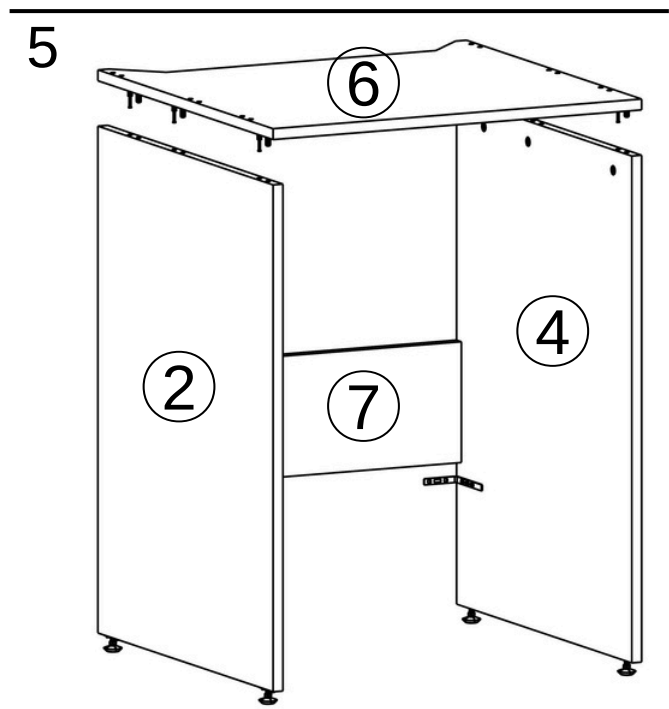
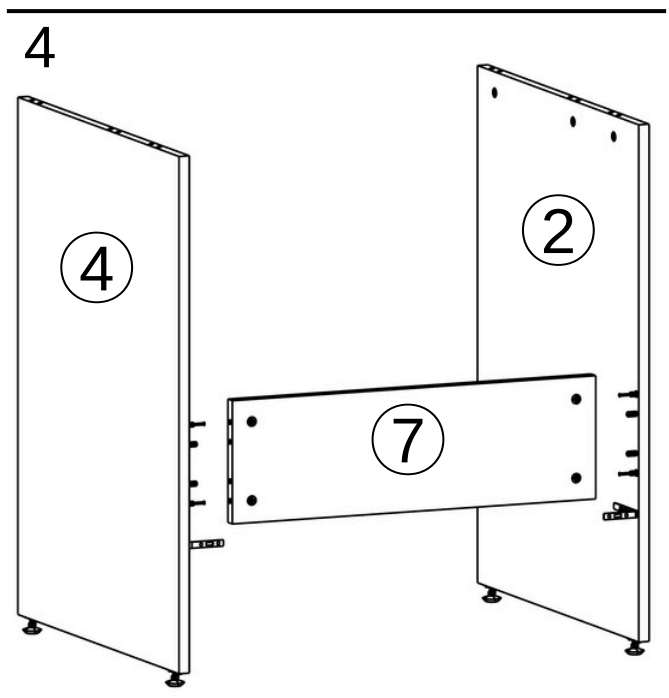
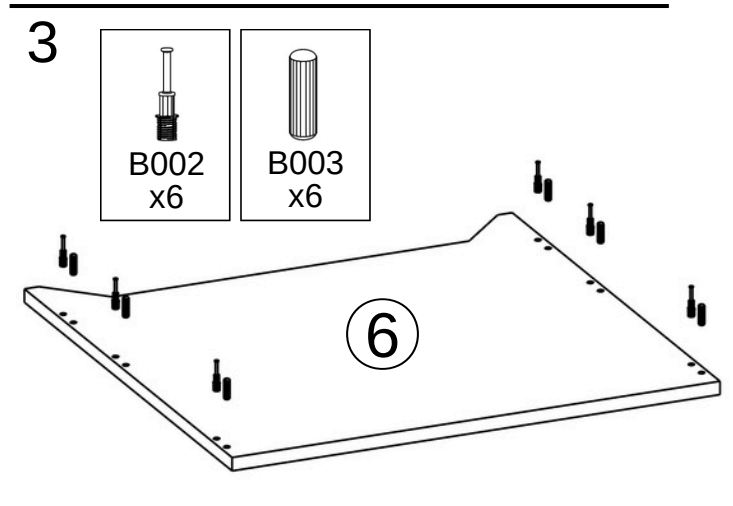
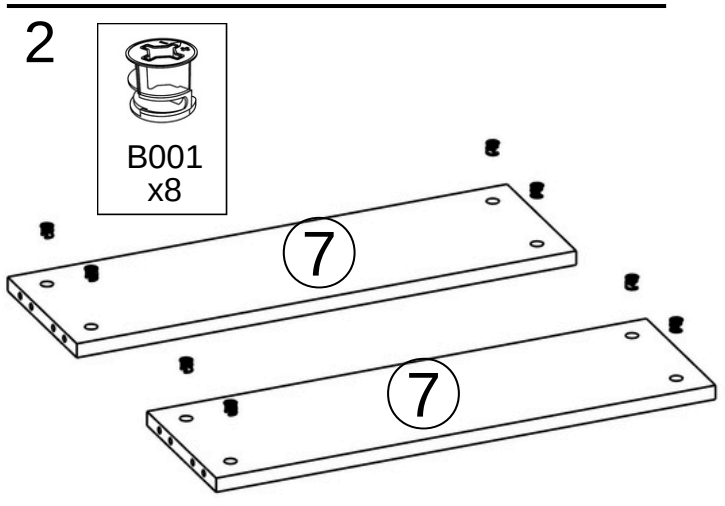


1

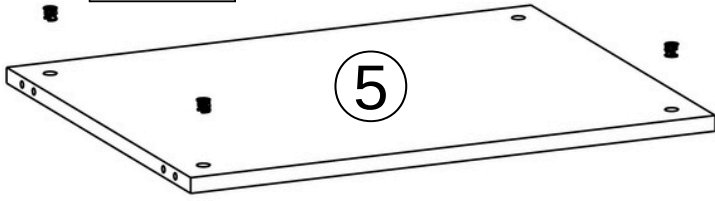
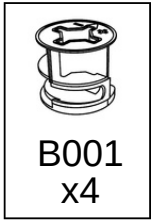
 B001 x6	 B002 x4	 B003 x4	 B005 x2	 M4*20 B009 x14	 B013 x4
---	---	---	---	---	---



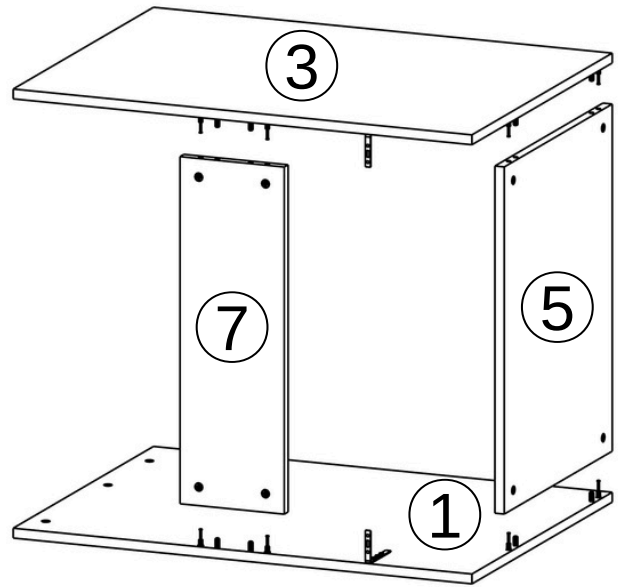
4



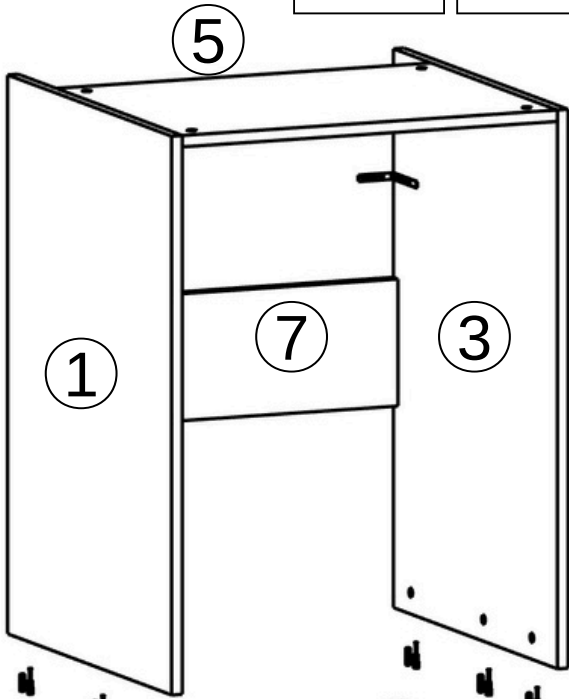
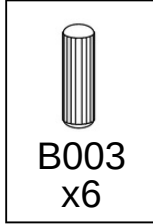
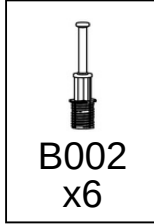
7



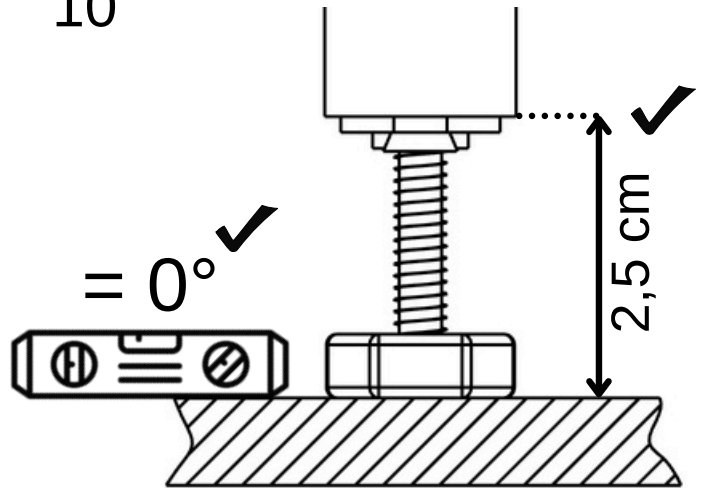
8



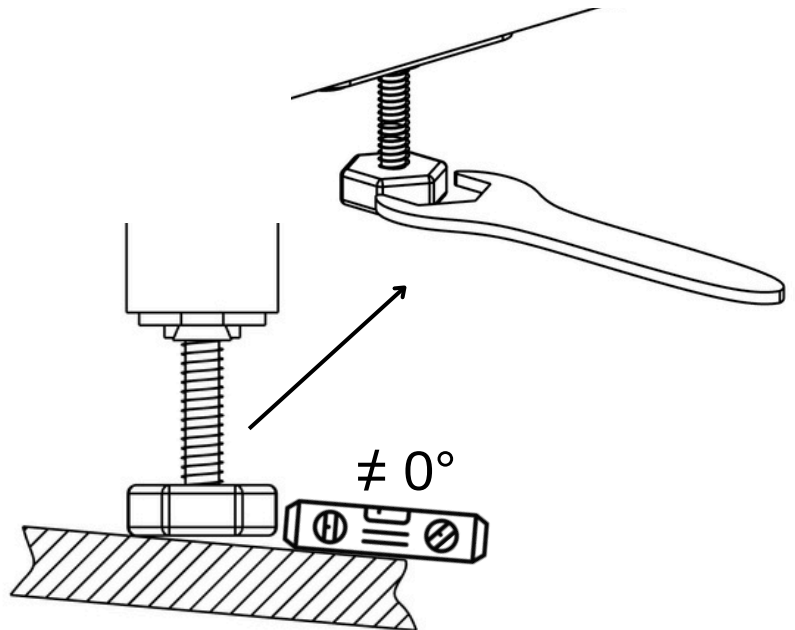
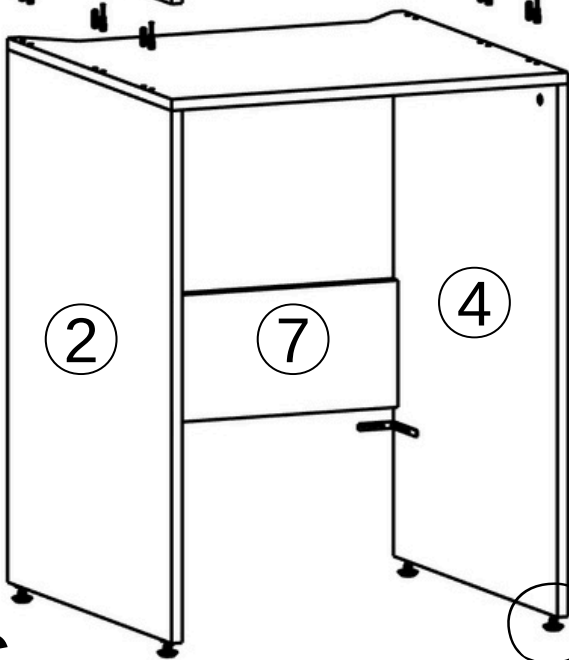
9



10



6



11

