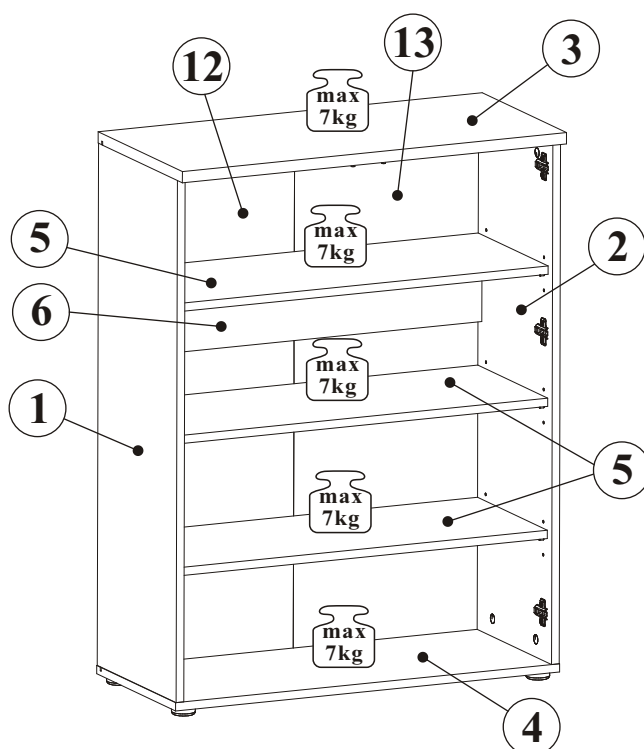
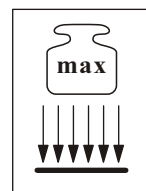
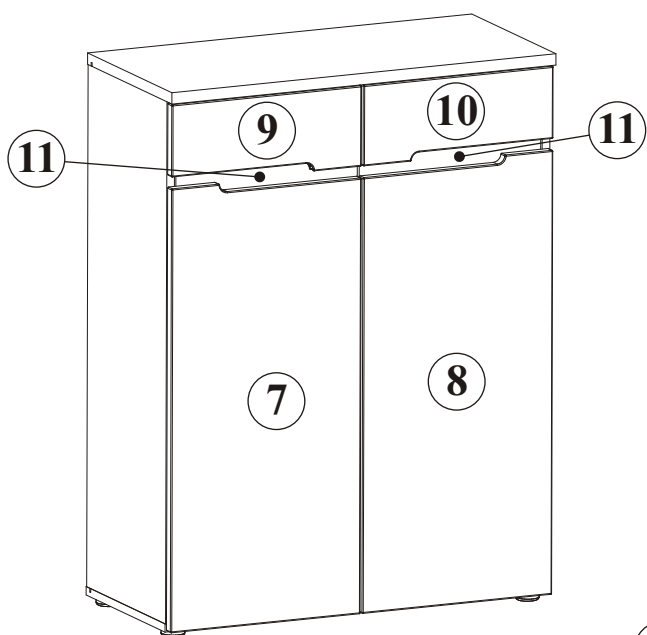
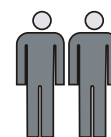


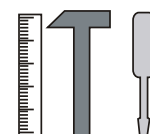
MEMPHIS 50 34--23

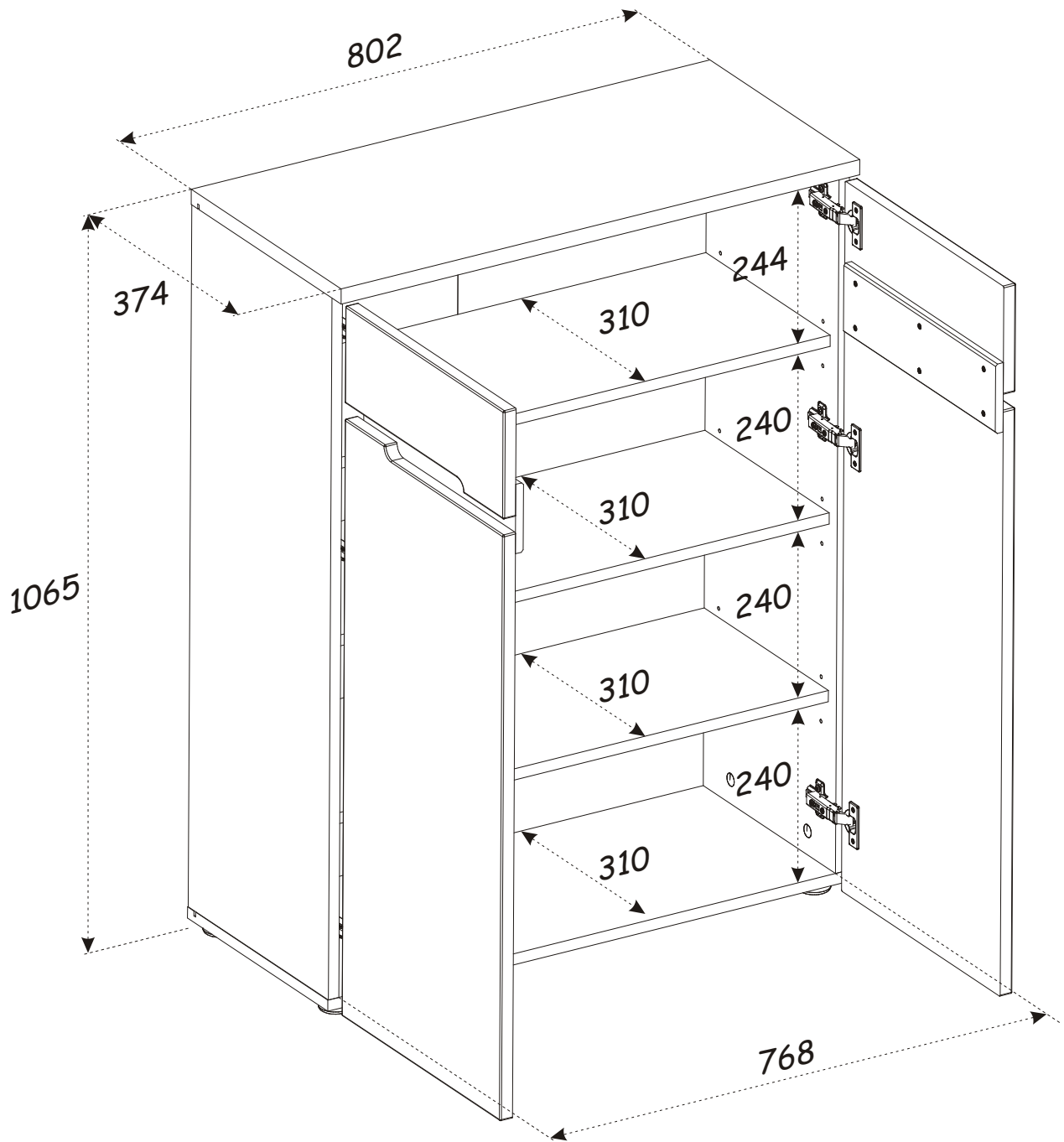


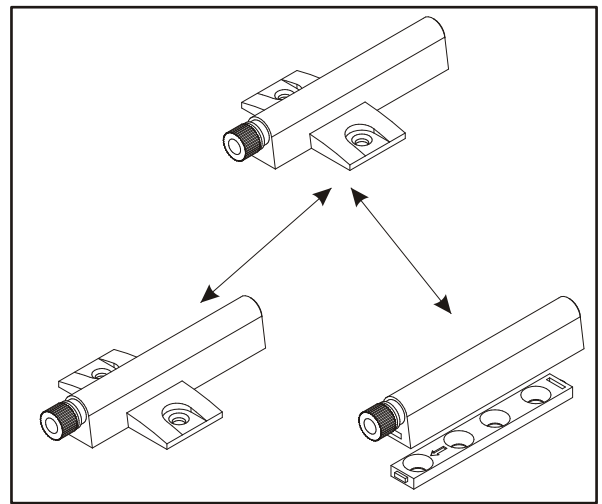
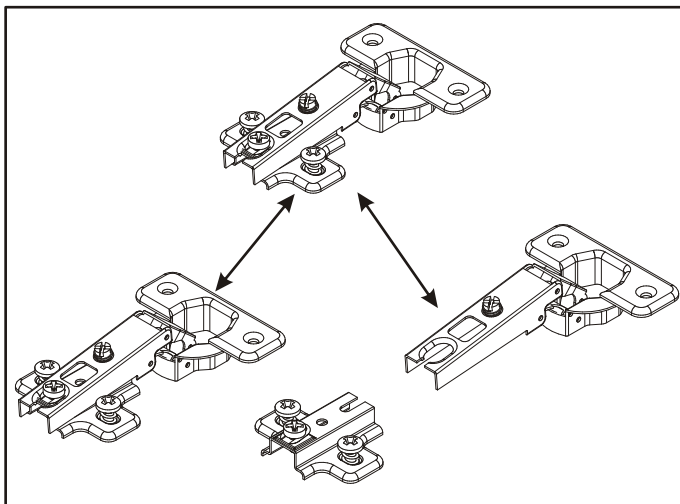
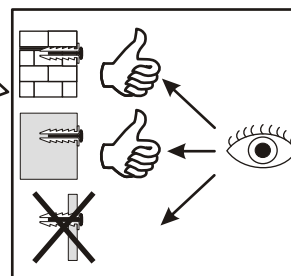
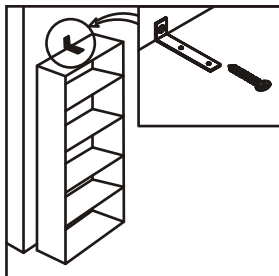
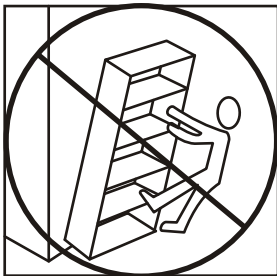
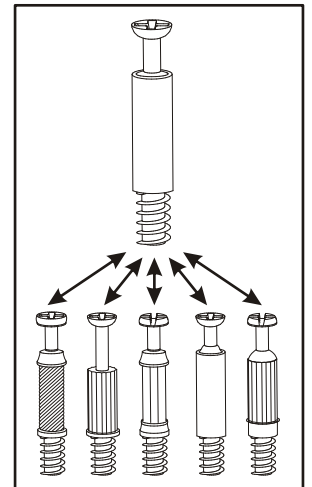
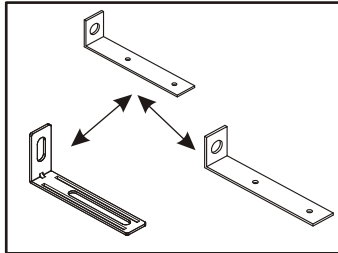
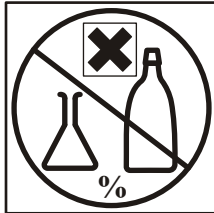
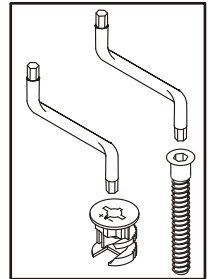
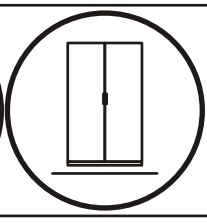
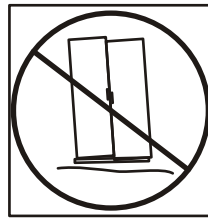
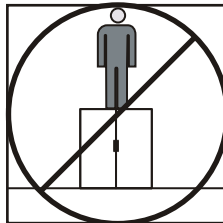
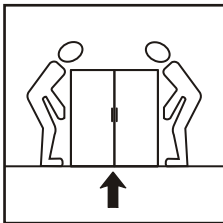
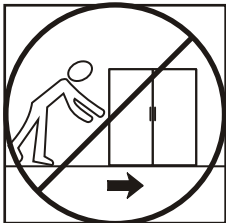
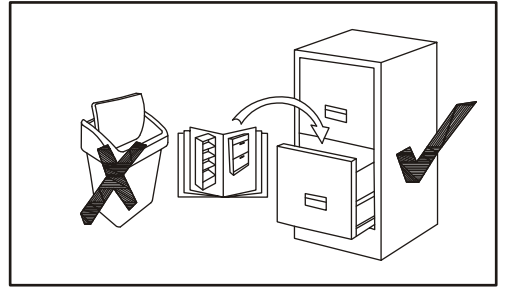
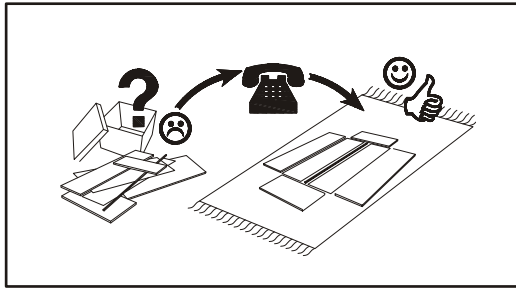
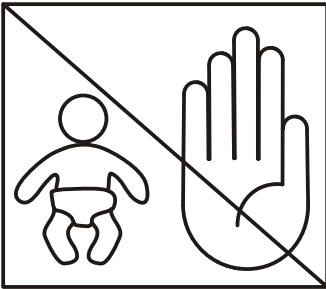
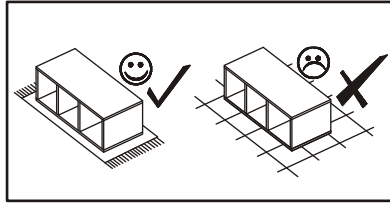
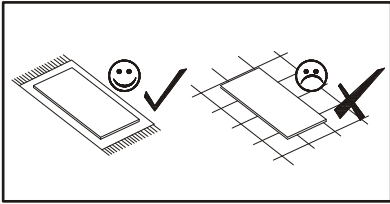
| NO | Dim. | | | Col.-No | Qty |
|----|------|-----|----|---------|-----|
| 1 | 1012 | 350 | 16 | 1 | 1 |
| 2 | 1012 | 350 | 16 | 1 | 1 |
| 3 | 802 | 374 | 22 | 1 | 1 |
| 4 | 802 | 350 | 16 | 1 | 1 |
| 5 | 768 | 310 | 16 | 1 | 3 |
| 6 | 768 | 80 | 16 | 1 | 1 |
| 7 | 396 | 860 | 18 | 2 | 1 |
| 8 | 396 | 860 | 18 | 2 | 1 |
| 9 | 396 | 156 | 18 | 2 | 1 |
| 10 | 396 | 156 | 18 | 2 | 1 |
| 11 | 379 | 100 | 12 | 1 | 2 |
| 12 | 1024 | 390 | 3 | 2 | 1 |
| 13 | 1024 | 390 | 3 | 2 | 1 |



180 min

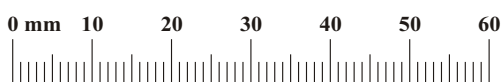
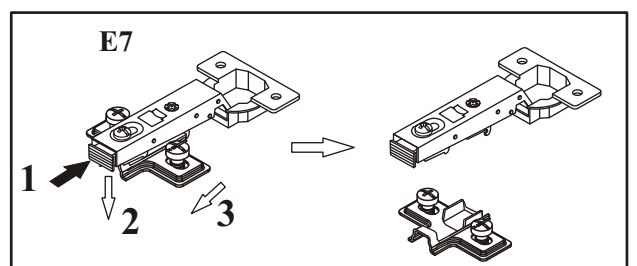
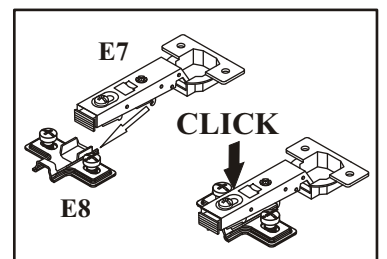




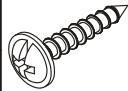



MEMPHIS 50 34 -- 23

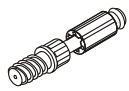
| | | | | | |
|------------------------|-----------|---------------------|-----------|-------------------------|-----------------------|
| A1 x10 ø8x36 | B4 x10 | B5 x10 ø15x12 | G5 x10 | E7 x6 Ø35 H=0 | E8 x6 H=0 |
| I11 x4 Ø45, h=15 | G7 x12 | G20 x2 | S1 x16 | D10 x14 USØ3,5x13 | UP11 x4 UPØ4x20 |
| UP17 x12 UPØ4x25 | L1 x1 | KR1 x1 | G2 x1 | | |

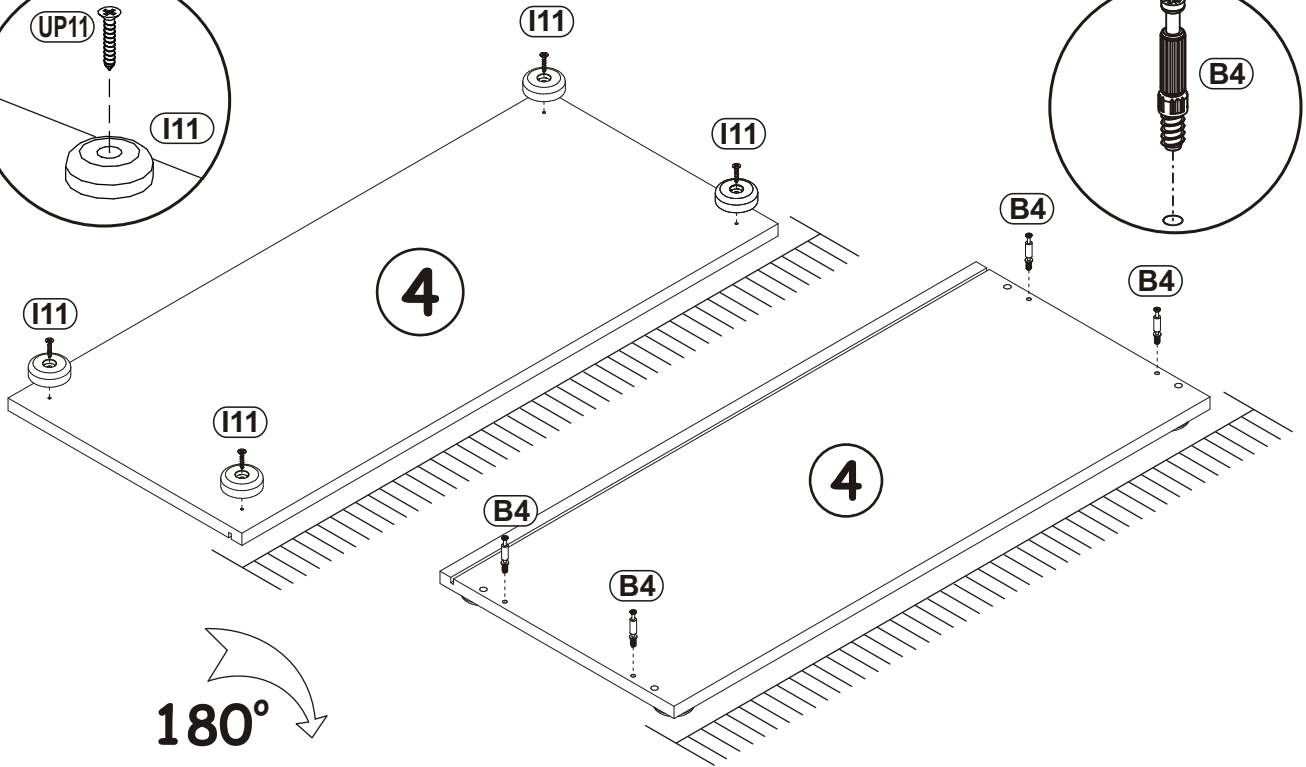
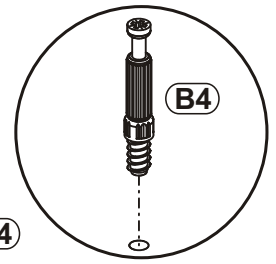
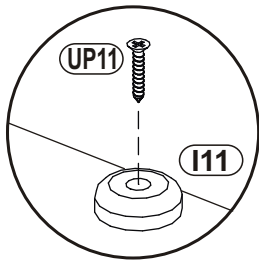


3

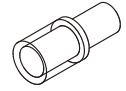
| | |
|------|--|
| UP11 |  |
| x4 | UPØ4x20 |

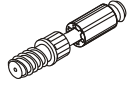
| | |
|-----|---|
| I11 |  |
| x4 | Ø45, h=15 |

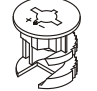
| | |
|----|---|
| B4 |  |
| x4 | |

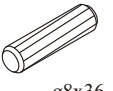


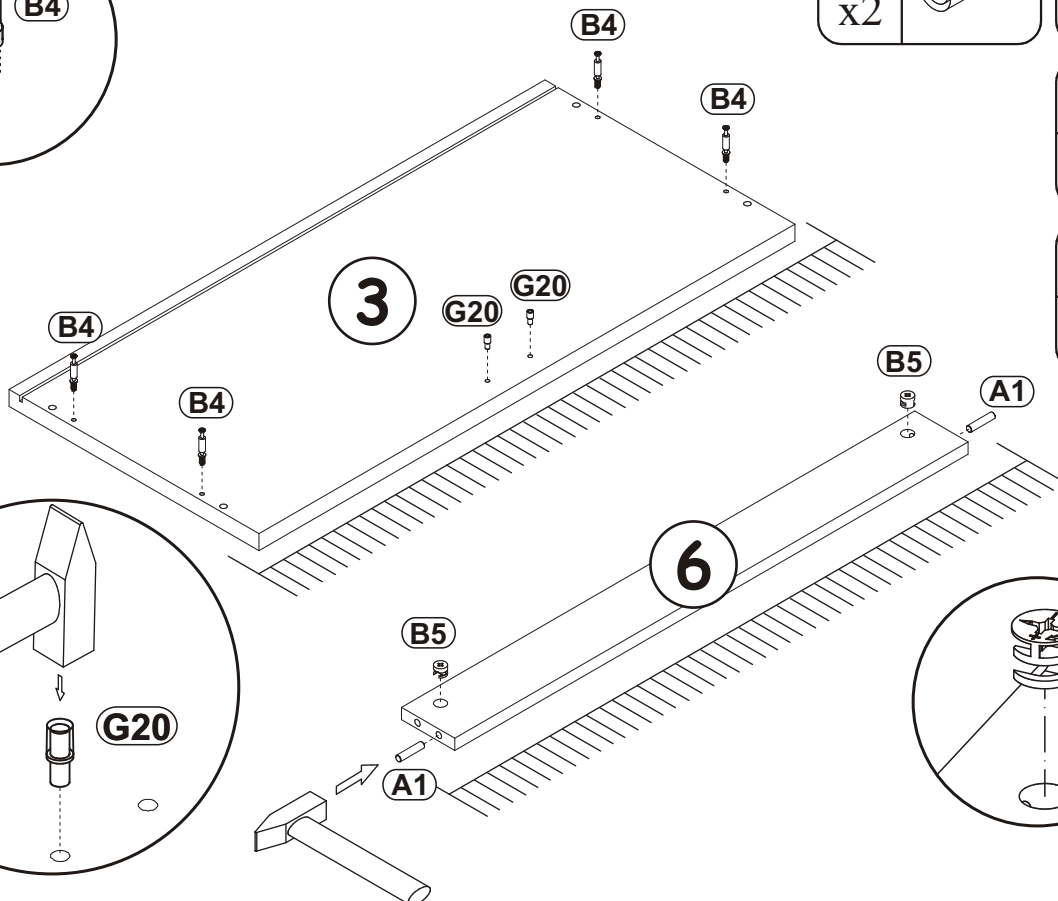
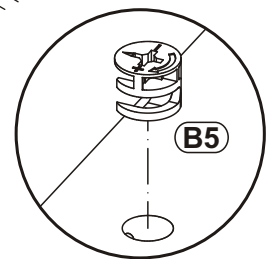
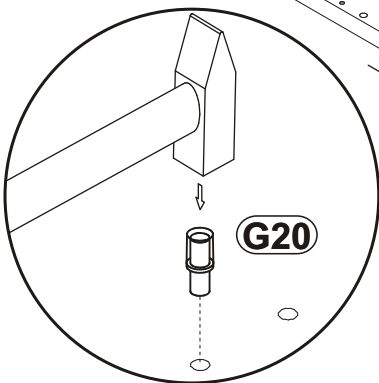
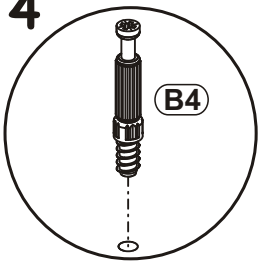
4

| | |
|-----|---|
| G20 |  |
| x2 | |

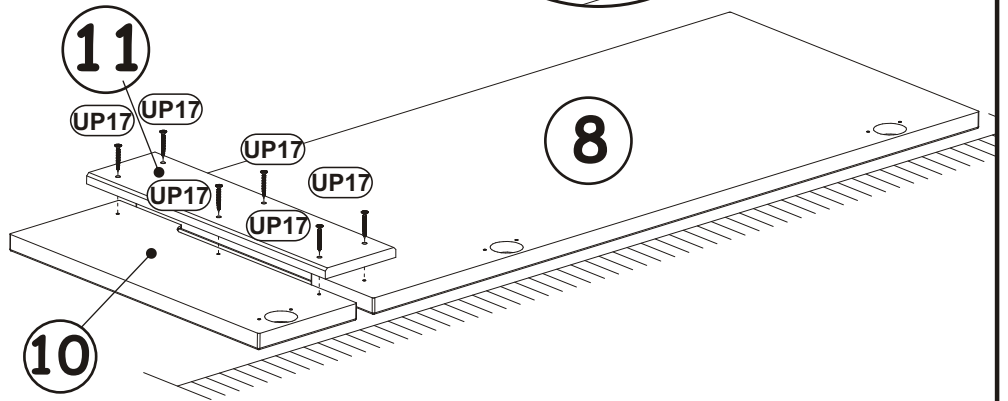
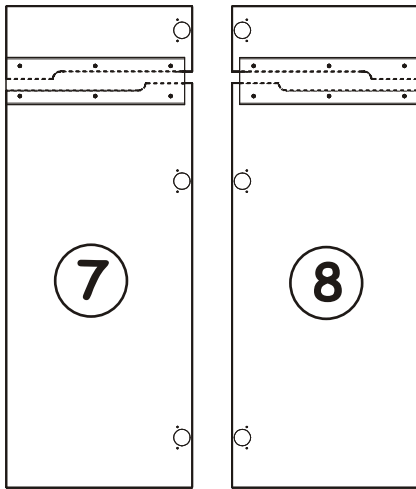
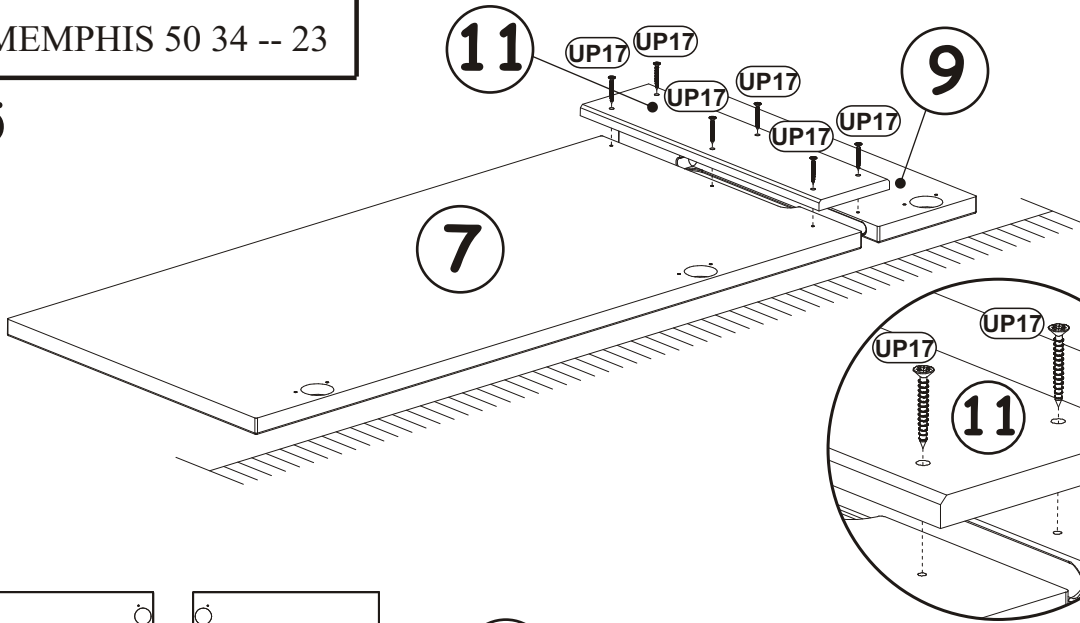
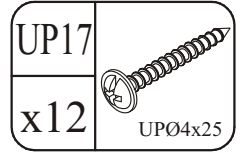
| | |
|----|---|
| B4 |  |
| x4 | |

| | |
|----|---|
| B5 |  |
| x2 | Ø15x12 |

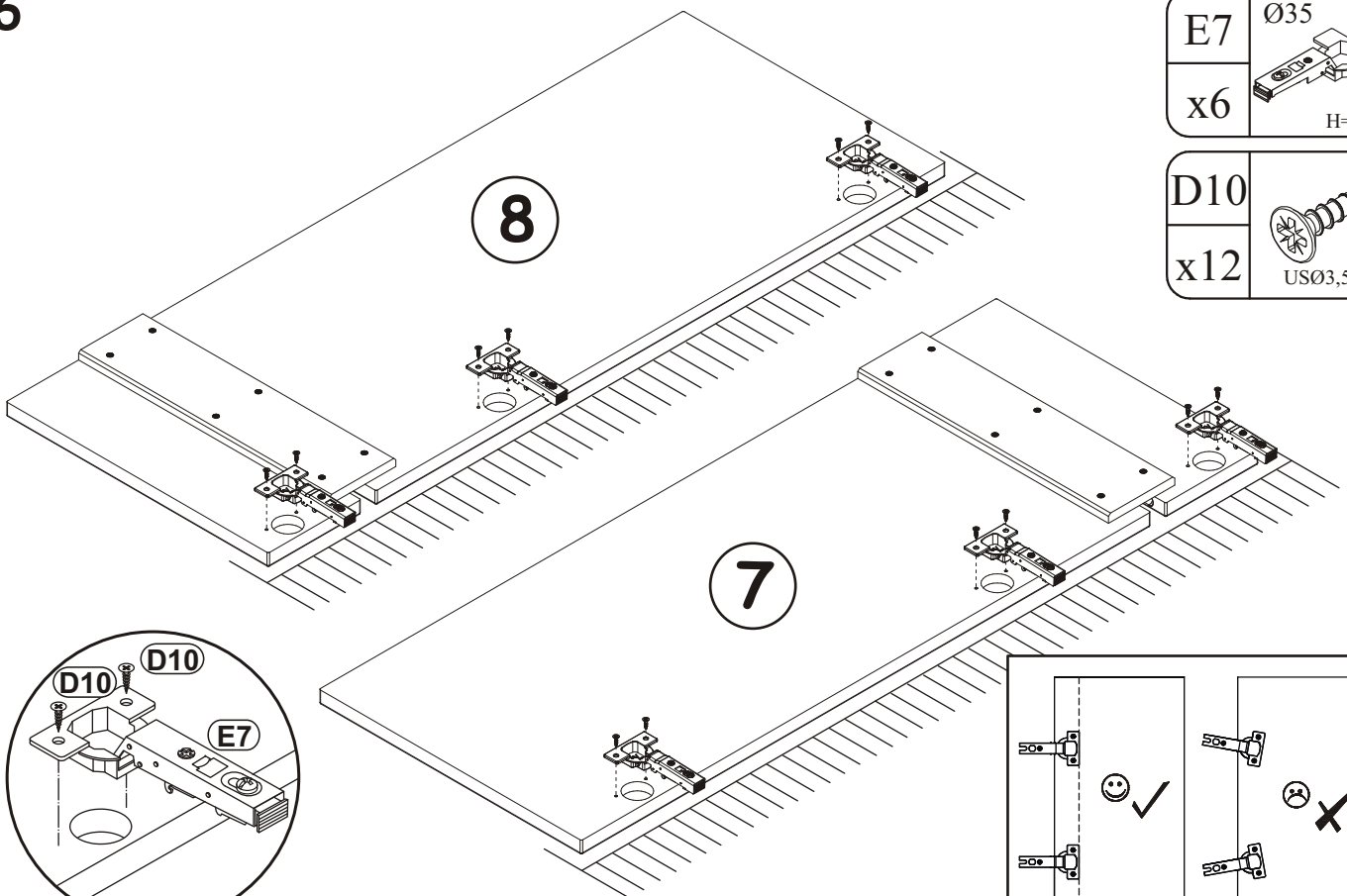
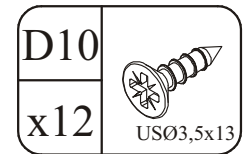
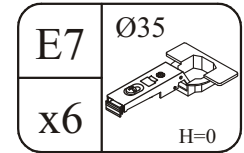
| | |
|----|---|
| A1 |  |
| x2 | Ø8x36 |




5

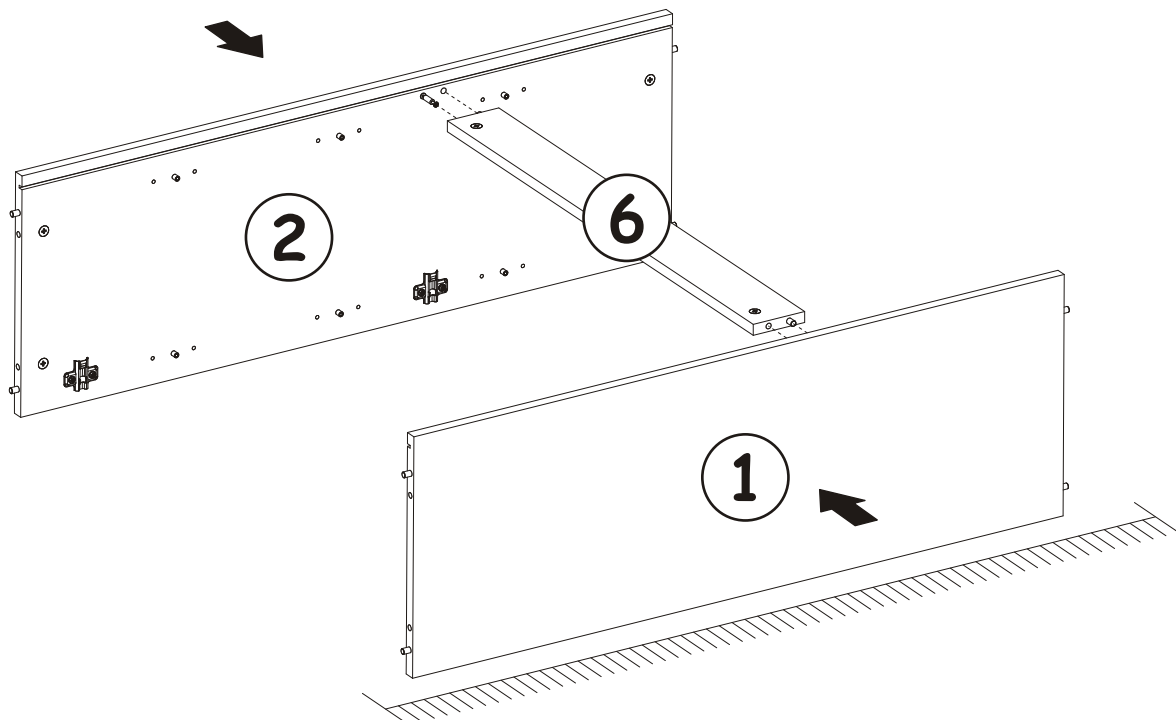


6

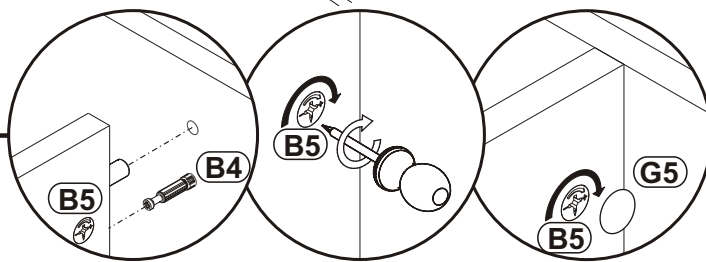



| | |
|----|---|
| G5 |  |
| x2 | |

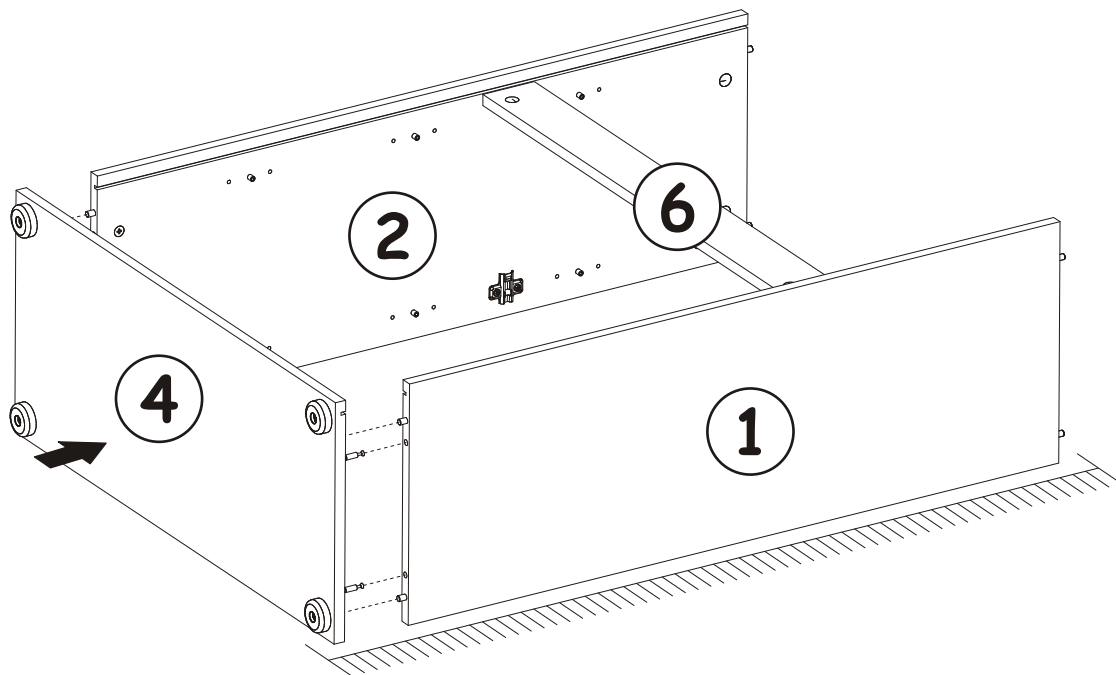
7



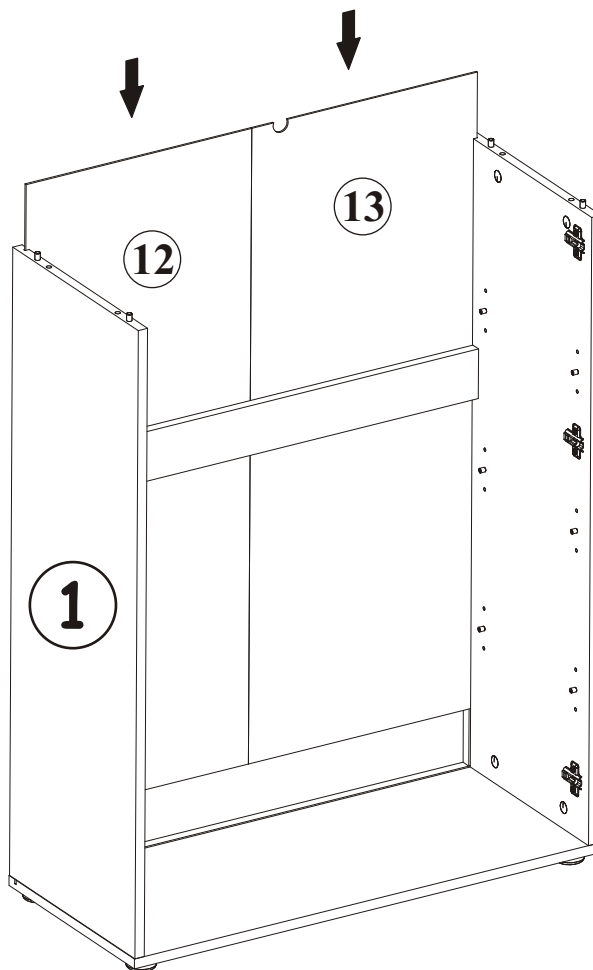
8



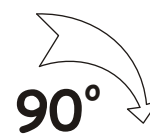
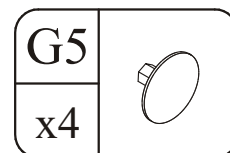
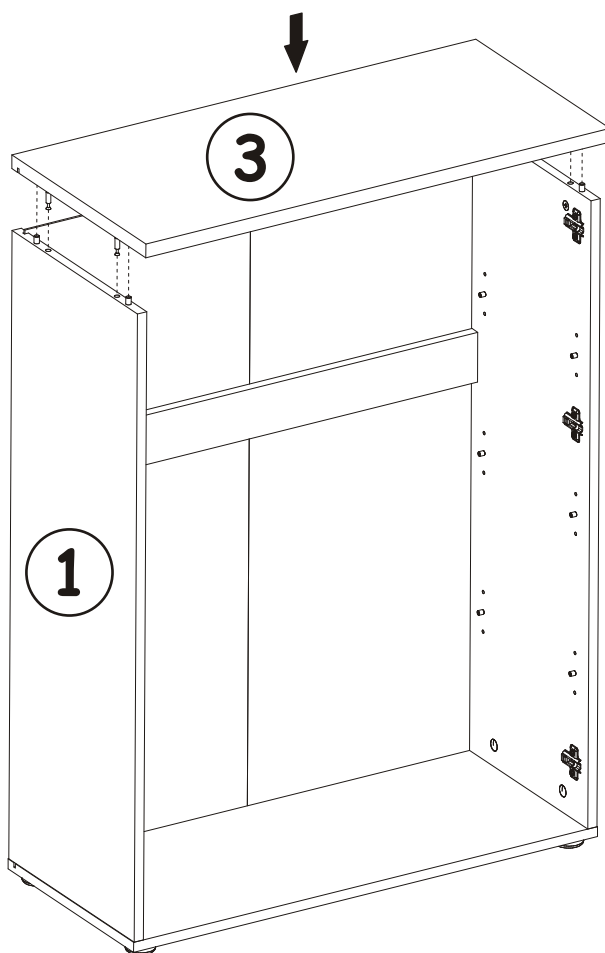
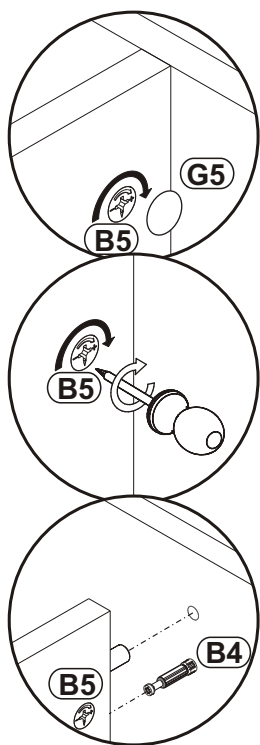
| | |
|----|---|
| G5 |  |
| x4 | |



9

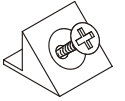


10

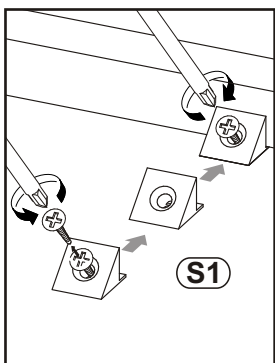
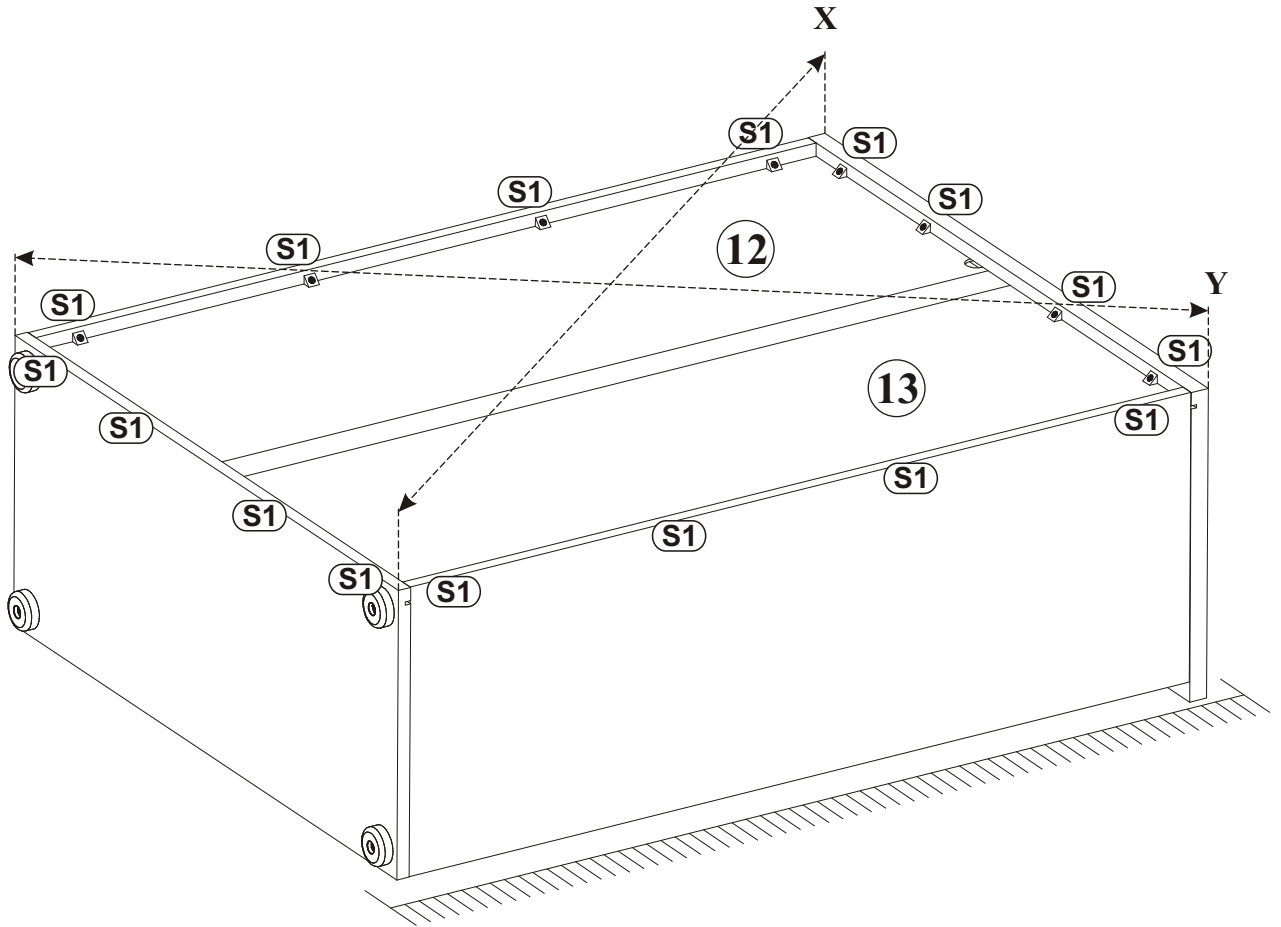
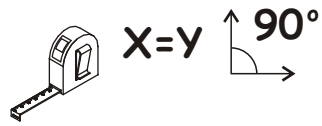


S1

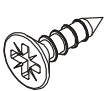
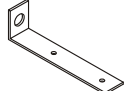

x16

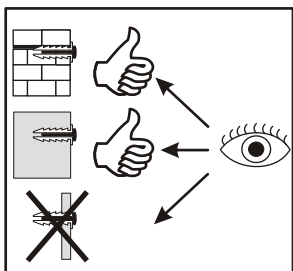
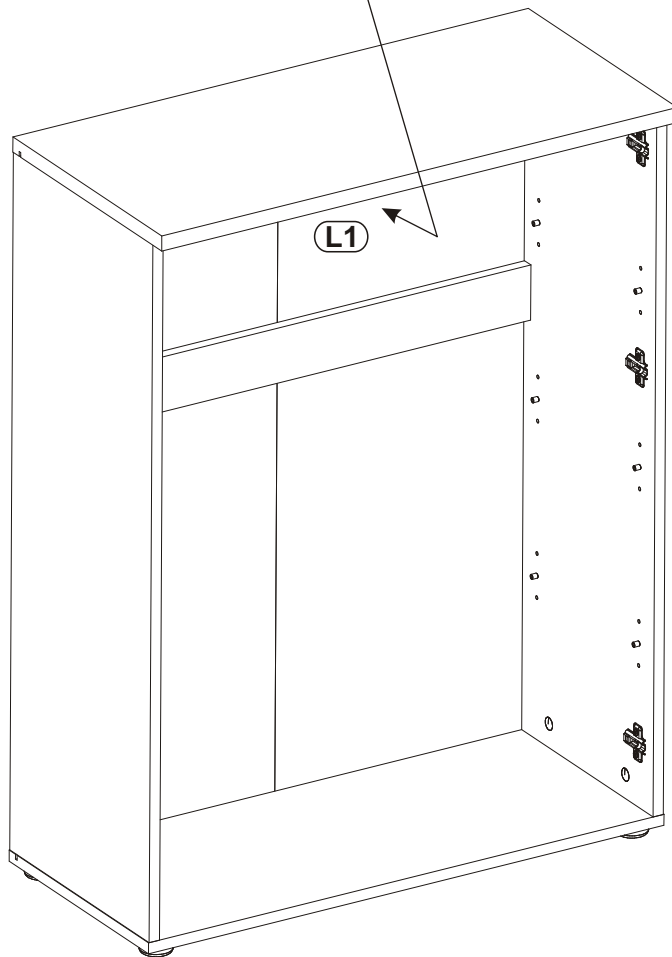
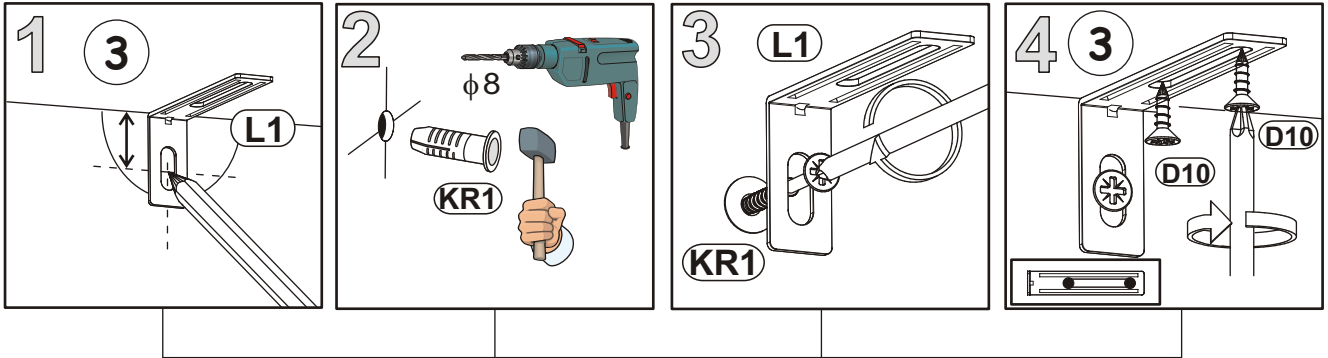


11

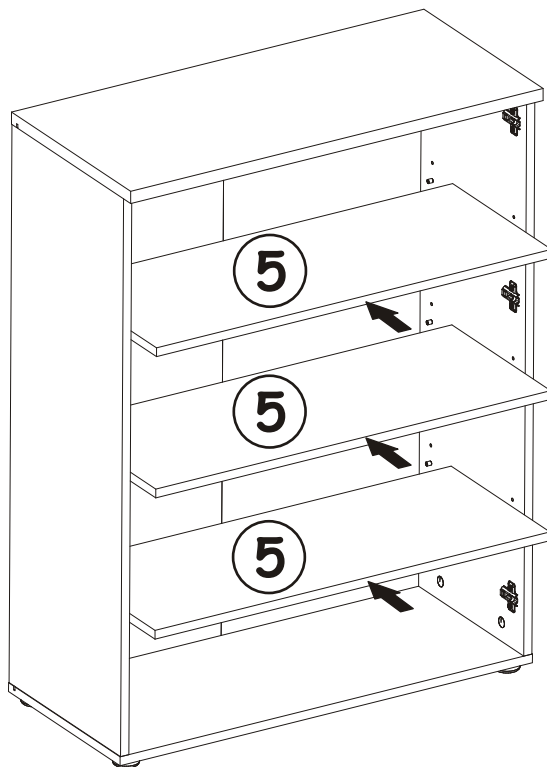


12

| | | | | | |
|-----|--|----|---|-----|---|
| D10 |  | L1 |  | KR1 |  |
| x2 | USØ3,5x13 | x1 | | x1 | |



13



14

