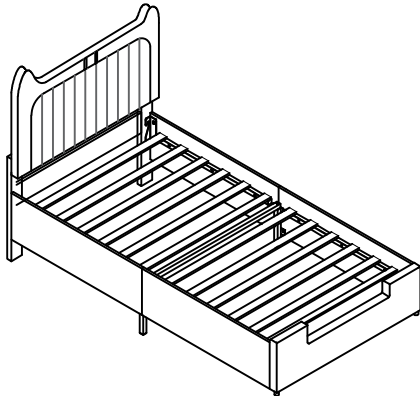


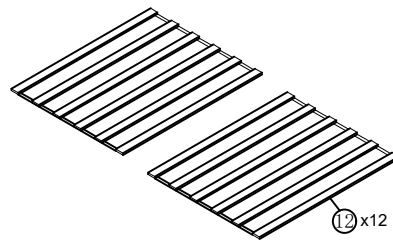
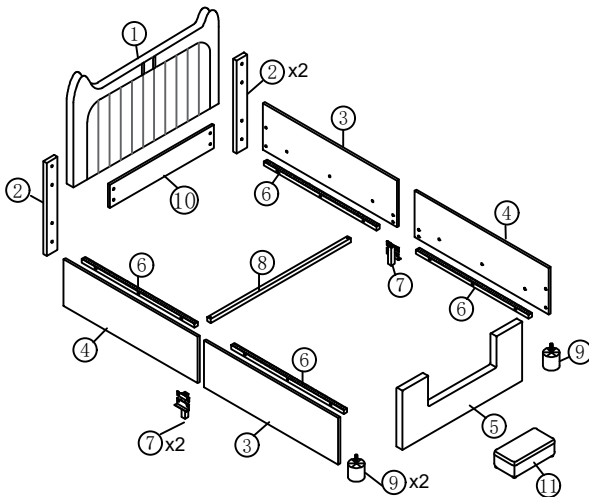
ASSEMBLY INSTRUCTION

Item Number: WF320823 / WF320824
 Upholstered Bed: 90x200



TIPS

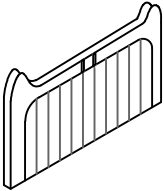

1. This product is divided into 2 parcels for delivery. They may not arrive at the same time. Please wait patiently.
2. Please read the instructions fully before assembly. These instructions include important information which could ensure correct assembly. We have been working on providing high quality products for you. However, in the rare instance that your product is defective, missing parts or there are some issues, please don't hesitate to contact our customer service to submit parts requirements, assembly suggestion, or warranty claims, and we will give the best solution as soon as possible. If necessary, we need you to provide some more clear pictures of the issue.
3. Insert the screws in holes and tighten the screws, but not too tight, 70%~80% is ok, finally tighten all the screws. If some issues happened that some screws can not target to the hole or some parts are difficult to install, please adjust the tightness of the screws.
4. 2 people are recommended to finish



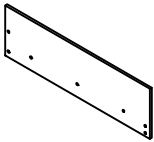
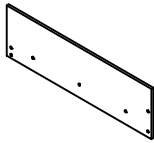
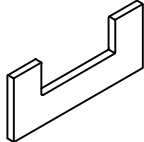




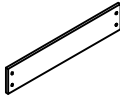

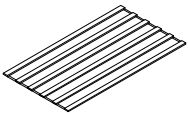
Parts List			Hardware List		
NO	ITEM	QTY	NO	ITEM	QTY
1	Head board	1	A	Allen Key 	1
2	Head board legs	2	B	Bolts (M8x50mm) 	4
3	Siderails	2	C	Bolts (M8x16mm) 	32
4	Siderails	2	D	Bolts (M8x40mm) 	14
5	Foot board	1	E	Four hole iron 	2
6	Side rails support bar	4	F	Hinge 	4
7	Side rails support legs	2			
8	Cross bar	1			
9	Bed legs	2			
10	Cross board	1			
11	Bed end stool	1			
12	Slats	12			

Part List

WF320823

1		2	
Head board-1pc		Head board legs -2pcs	

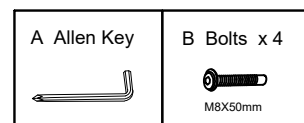
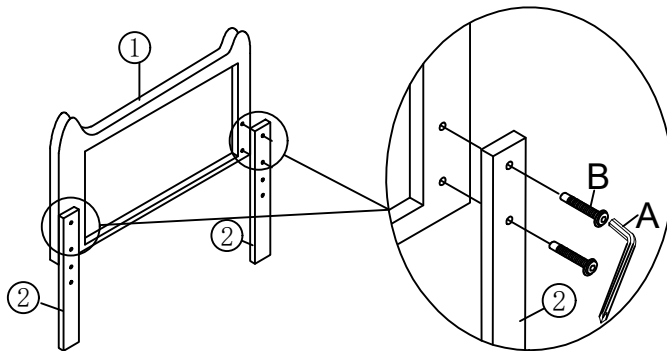
Hardware List+WF320824

3		4		5	
Side rails-2pcs		Side rails-2pcs		Foot board -1pc	
6		7		8	
Side rails support bar-4pcs		Side rails support legs-2pcs		Cross bar-1pc	
9		10		11	
Legs-2pcs		Cross board-1pc		Bed end stool-1pc	
12					
Slats-12pcs					

Attention: Do not tighten the screws before completing the entire installation. If you have any difficulty with the installation process, please feel free to contact us.

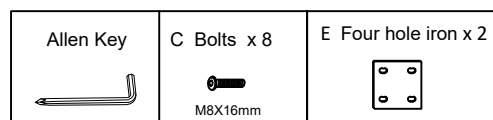
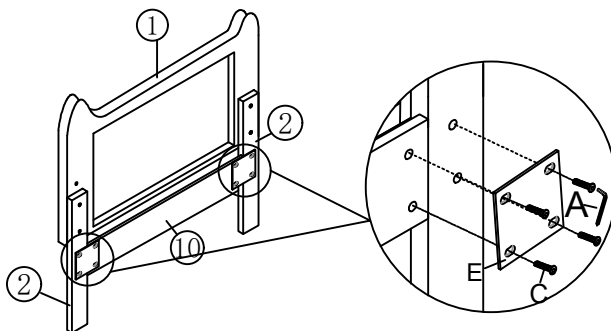
Step 1

Fix the Headboard legs ② to the Headboard ① with Bolts B by using Allen key A.
 (Befestigen Sie die Kopfteilbeine ② mit den Schrauben B und dem Inbusschlüssel A am Kopfteil ①.)



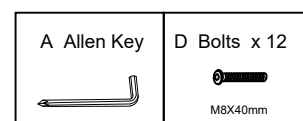
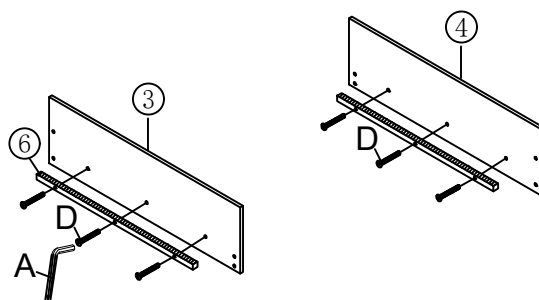
Step 2

Fix the Cross board ⑩ to the Head board legs ② with Four hole iron E and Bolts C by using Allen key A.
 (Befestigen Sie das Cross Board ⑩ an den Head Board Beinen ② mit Vierloch Eisen E und Schrauben C mit Inbusschlüssel A.)



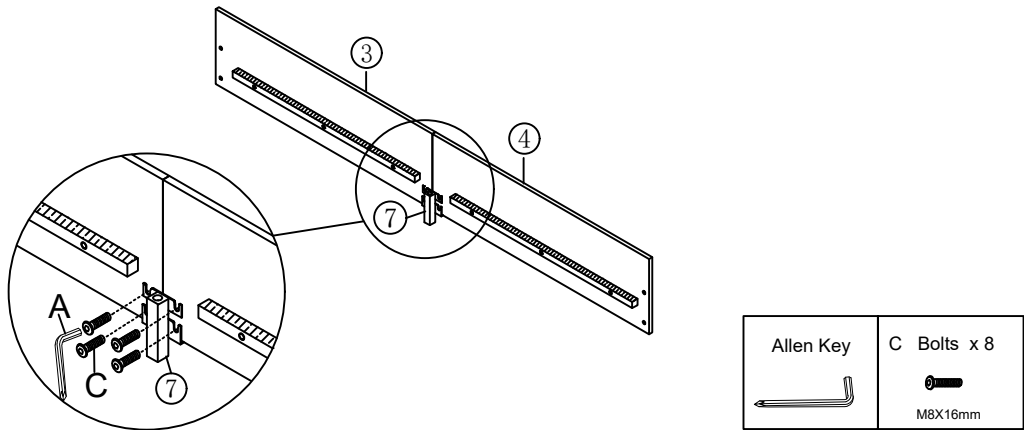
Step 3 x2

Connect Siderail support bar ⑥ to Siderails ③ and ④ with Bolts D by using Allen key A.
 (Verbinden Sie die Seitengitter-Stützstange ⑥ mit den Schrauben D und dem Inbusschlüssel A mit den Seitengittern ③ und ④.)



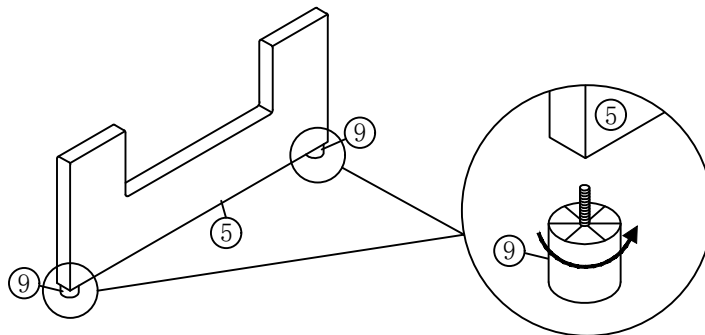
Step 4 x2

Fix the side rails support leg ⑦ to the assembled side rail with Bolts C by using Allen key A.
 (Befestigen Sie das Seitengitter-Stützbein ⑦ mit den Schrauben C und dem Inbusschlüssel A am montierten Seitengitter.)



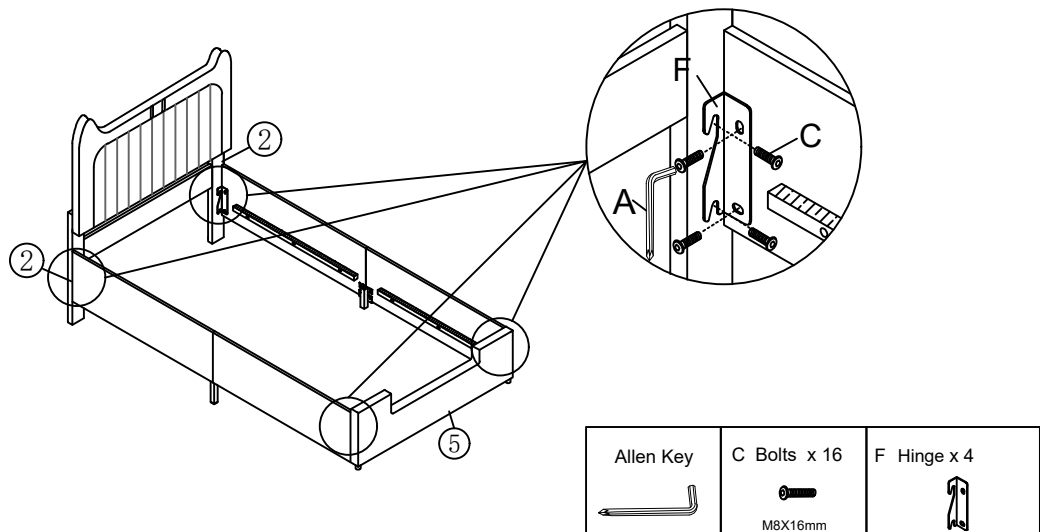
Step 5

Fix the two legs ⑨ to the footboard ⑤.
 (Fixieren Sie die beiden Beine ⑨ am Trittbrett ⑤.)



Step 6

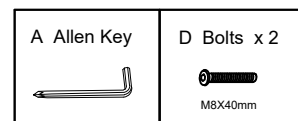
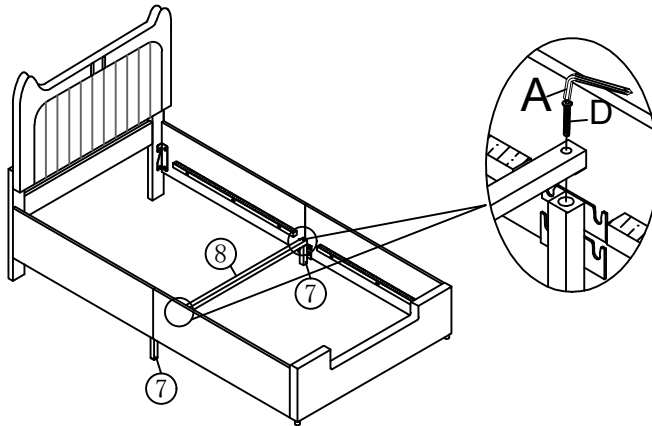
Fix the assembled side rail to the Headboard legs ② and Foot board ⑤ with Bolts C and Hinge F by using Allen key A.
 (Befestigen Sie das zusammengebaute Seitengitter mit den Schrauben C und dem Scharnier F unter Verwendung des Inbusschlüssels A an den Kopfteilbeinen ② und dem Fußteil ⑤.)



Step 7

Fix the cross bar ⑧ to the side rails support legs ⑦ with Bolts D by using Allen key A.

(Befestigen Sie die Querstange ⑧ mit den Schrauben D und dem Inbusschlüssel A an den Stützbeinen der Seitenschienen ⑦.)



Step 8

Fix the slats ⑫ to the side support bar ⑥, then assemble is finished, now please tighten all hardware and enjoy the bed.

(Befestigen Sie die Latten ⑫ an der seitlichen Stützstange ⑥, dann ist der Zusammenbau abgeschlossen. Jetzt ziehen Sie bitte alle Beschläge fest und genießen Sie das Bett.)

