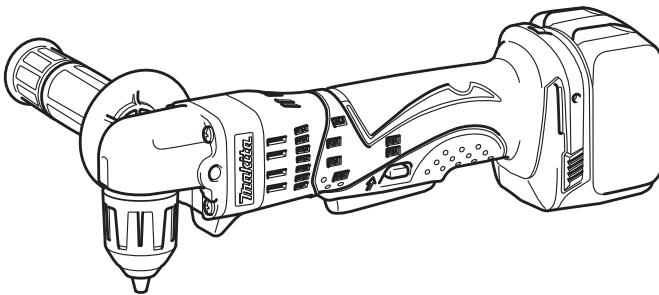
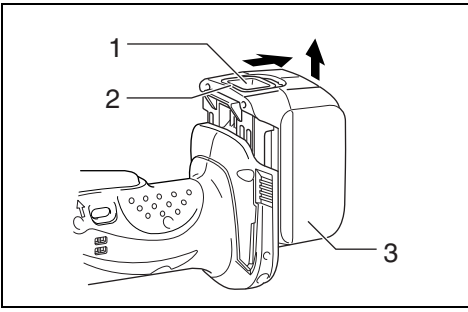




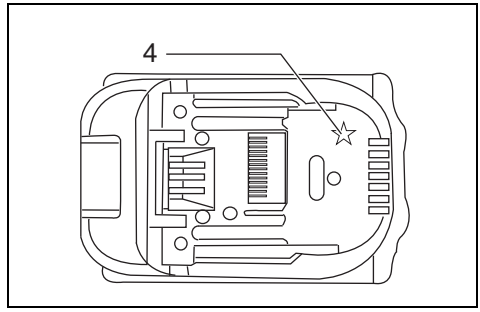
GB	Cordless Angle Drill	Instruction Manual
F	Perceuse d'angle sans fil	Manuel d'instructions
D	Akku-Winkelbohrmaschine	Betriebsanleitung
I	Trapano ad angolo a batteria	Istruzioni per l'uso
NL	Haakse boormachine snoerloze	Gebruiksaanwijzing
E	Taladro en ángulo sin cable	Manual de instrucciones
P	Berbequim angular a bateria	Manual de instruções
DK	Batteridrevet vinkelboremaskine	Brugsanvisning
GR	Φορητό γωνιακό τρυπάνι	Οδηγίες χρήσεως

DDA341
DDA351

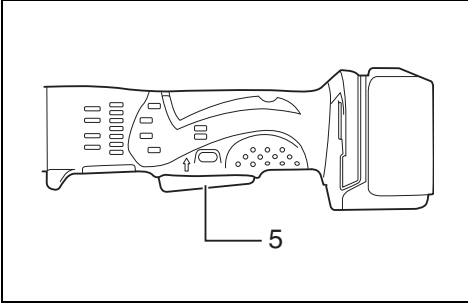




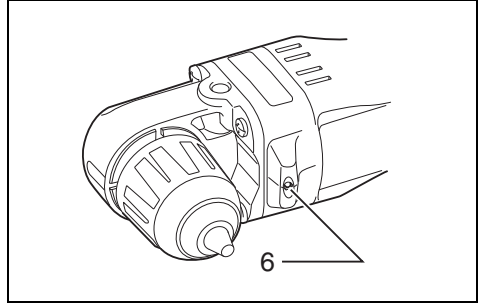
1



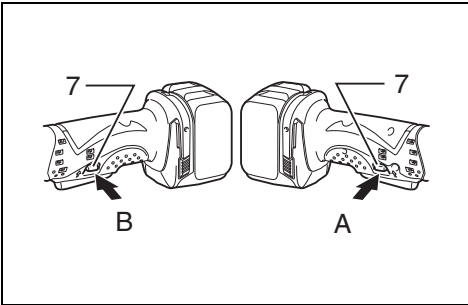
2



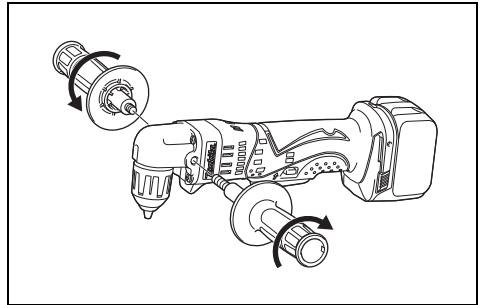
3



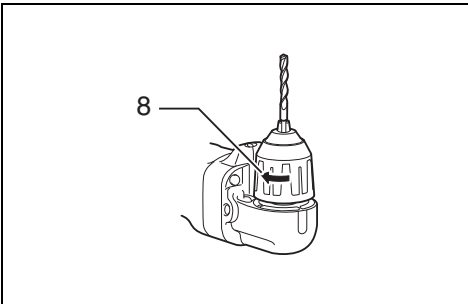
4



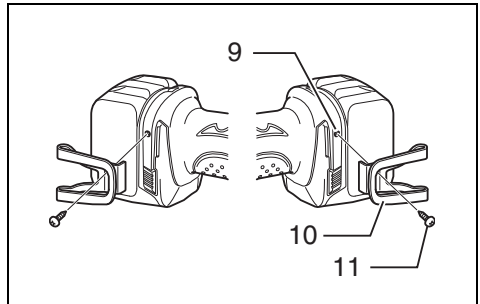
5



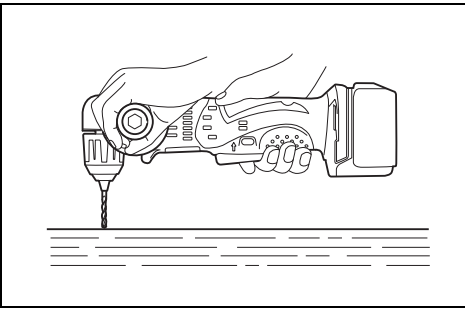
6



7



8



9

Explanation of general view

1 Button	5 Switch trigger	9 Groove
2 Red indicator	6 Lamp	10 Hook
3 Battery cartridge	7 Reversing switch	11 Screw
4 Star marking	8 Sleeve	

SPECIFICATIONS

Model	DDA341	DDA351
Capacities		
Steel	10 mm	10 mm
Wood	25 mm	25 mm
No load speed (min ⁻¹)	0 – 1,700	0 – 1,800
Overall length	326 mm	326 mm
Net weight	1.7 kg	1.8 kg
Rated voltage	D.C. 14.4 V	D.C. 18 V

- Due to our continuing program of research and development, the specifications herein are subject to change without notice.
- Specifications and battery cartridge may differ from country to country.
- Weight, with battery cartridge, according to EPTA-Procedure 01/2003

ENE032-1

Intended use

The tool is intended for drilling in wood, metal and plastic.

ENC007-7

GEA010-1

General Power Tool Safety Warnings

⚠ WARNING Read all safety warnings and all instructions. Failure to follow the warnings and instructions may result in electric shock, fire and/or serious injury.

Save all warnings and instructions for future reference.

GEB051-2

CORDLESS DRILL SAFETY WARNINGS

1. **Use auxiliary handle(s), if supplied with the tool.**
Loss of control can cause personal injury.
2. **Hold power tool by insulated gripping surfaces, when performing an operation where the cutting accessory may contact hidden wiring.** Cutting accessory contacting a “live” wire may make exposed metal parts of the power tool “live” and could give the operator an electric shock.
3. **Always be sure you have a firm footing.**
Be sure no one is below when using the tool in high locations.
4. **Hold the tool firmly.**
5. **Keep hands away from rotating parts.**
6. **Do not leave the tool running. Operate the tool only when hand-held.**
7. **Do not touch the drill bit or the workpiece immediately after operation; they may be extremely hot and could burn your skin.**
8. **Some material contains chemicals which may be toxic. Take caution to prevent dust inhalation and skin contact. Follow material supplier safety data.**

SAVE THESE INSTRUCTIONS.

WARNING:

DO NOT let comfort or familiarity with product (gained from repeated use) replace strict adherence to safety rules for the subject product. MISUSE or failure to follow the safety rules stated in this instruction manual may cause serious personal injury.

IMPORTANT SAFETY INSTRUCTIONS

FOR BATTERY CARTRIDGE

1. Before using battery cartridge, read all instructions and cautionary markings on (1) battery charger, (2) battery, and (3) product using battery.
2. Do not disassemble battery cartridge.
3. If operating time has become excessively shorter, stop operating immediately. It may result in a risk of overheating, possible burns and even an explosion.
4. If electrolyte gets into your eyes, rinse them out with clear water and seek medical attention right away. It may result in loss of your eyesight.
5. Do not short the battery cartridge:
 - (1) Do not touch the terminals with any conductive material.
 - (2) Avoid storing battery cartridge in a container with other metal objects such as nails, coins, etc.
 - (3) Do not expose battery cartridge to water or rain.
 A battery short can cause a large current flow, overheating, possible burns and even a breakdown.
6. Do not store the tool and battery cartridge in locations where the temperature may reach or exceed 50°C (122°F).
7. Do not incinerate the battery cartridge even if it is severely damaged or is completely worn out. The battery cartridge can explode in a fire.
8. Be careful not to drop or strike battery.
9. Do not use a damaged battery.

SAVE THESE INSTRUCTIONS.

Tips for maintaining maximum battery life

1. **Charge the battery cartridge before completely discharged.**
Always stop tool operation and charge the battery cartridge when you notice less tool power.
2. **Never recharge a fully charged battery cartridge. Overcharging shortens the battery service life.**
3. **Charge the battery cartridge with room temperature at 10°C – 40°C (50°F – 104°F). Let a hot battery cartridge cool down before charging it.**
4. **Charge the battery cartridge once in every six months if you do not use it for a long period of time.**

FUNCTIONAL DESCRIPTION

CAUTION:

- Always be sure that the tool is switched off and the battery cartridge is removed before adjusting or checking function on the tool.

Installing or removing battery cartridge (Fig. 1)

- Always switch off the tool before installing or removing of the battery cartridge.
- To remove the battery cartridge, slide it from the tool while sliding the button on the front of the cartridge.
- To install the battery cartridge, align the tongue on the battery cartridge with the groove in the housing and slip it into place. Always insert it all the way until it locks in place with a little click. If you can see the red indicator on the upper side of the button, it is not locked completely. Install it fully until the red indicator cannot be seen. If not, it may accidentally fall out of the tool, causing injury to you or someone around you.
- Do not use force when installing the battery cartridge. If the cartridge does not slide in easily, it is not being inserted correctly.

Battery protection system (Lithium-ion battery with star marking) (Fig. 2)

Lithium-ion batteries with a star marking are equipped with a protection system. This system automatically cuts off power to the tool to extend battery life.

The tool will automatically stop during operation if the tool and/or battery are placed under one of the following conditions:

- **Overloaded:**
The tool is operated in a manner that causes it to draw an abnormally high current.
In this situation, release the trigger switch on the tool and stop the application that caused the tool to become overloaded. Then pull the trigger switch again to restart.
If the tool does not start, the battery is overheated. In this situation, let the battery cool before pulling the trigger switch again.
- **Low battery voltage:**
The remaining battery capacity is too low and the tool will not operate. In this situation, remove and recharge the battery.

Switch action (Fig. 3)

CAUTION:

- Before inserting the battery cartridge into the tool, always check to see that the switch trigger actuates properly and returns to the “OFF” position when released.

To start the tool, simply pull the switch trigger. Tool speed is increased by increasing pressure on the switch trigger. Release the switch trigger to stop.

CAUTION:

- Be sure to hold the tool firmly before the tool is switched off.

Lighting up the front lamp (Fig. 4)

CAUTION:

- Do not look in the light or see the source of light directly.

Pull the switch trigger to light up the lamp. The lamp keeps on lighting while the switch trigger is being pulled. The light automatically goes out 10 – 15 seconds after the switch trigger is released.

NOTE:

- Use a dry cloth to wipe the dirt off the lens of lamp. Be careful not to scratch the lens of lamp, or it may lower the illumination.

Reversing switch action (Fig. 5)

This tool has a reversing switch to change the direction of rotation. Depress the reversing switch lever from the A side for clockwise rotation or from the B side for counterclockwise rotation.

When the reversing switch lever is in the neutral position, the switch trigger cannot be pulled.

CAUTION:

- Always check the direction of rotation before operation.
- Use the reversing switch only after the tool comes to a complete stop. Changing the direction of rotation before the tool stops may damage the tool.
- When not operating the tool, always set the reversing switch lever to the neutral position.

ASSEMBLY

CAUTION:

- Always be sure that the tool is switched off and the battery cartridge is removed before carrying out any work on the tool.

Installing side grip (auxiliary handle) (Fig. 6)

CAUTION:

- Always be sure that the side grip is installed securely before operation.

Screw the side grip on the tool securely. The side grip can be installed on either side of the tool, whichever is convenient.

Installing or removing drill bit (Fig. 7)

Hold the tool firmly and turn the sleeve counterclockwise to open the chuck jaws. Place the bit in the chuck as far as it will go. Hold the tool firmly and turn the sleeve clockwise to tighten the chuck.

To remove the bit, hold the tool firmly and turn the sleeve counterclockwise.

Hook (Fig. 8)

The hook is convenient for temporarily hanging the tool. This can be installed on either side of the tool.

To install the hook, insert it into a groove in the tool housing on either side and then secure it with a screw. To remove, loosen the screw and then take it out.

OPERATION

ENG104-1

CAUTION:

- Hold the tool firmly with one hand on the gripping part of the tool and the other hand on the side grip when performing the tool. (Fig. 9)

Drilling operation

Drilling in metal

To prevent the bit from slipping when starting a hole, make an indentation with a center-punch and hammer at the point to be drilled. Place the point of the bit in the indentation and start drilling.

Use a cutting lubricant when drilling metals. The exceptions are iron and brass which should be drilled dry.

CAUTION:

- Pressing excessively on the tool will not speed up the drilling. In fact, this excessive pressure will only serve to damage the tip of your bit, decrease the tool performance and shorten the service life of the tool.
- There is a tremendous force exerted on the tool/bit at the time of hole break through. Hold the tool firmly and exert care when the bit begins to break through the workpiece.
- A stuck bit can be removed simply by setting the reversing switch to reverse rotation in order to back out. However, the tool may back out abruptly if you do not hold it firmly.
- Always secure small workpieces in a vise or similar hold-down device.
- If the tool is operated continuously until the battery cartridge has discharged, allow the tool to rest for 15 minutes before proceeding with a fresh battery.

MAINTENANCE

CAUTION:

- Always be sure that the tool is switched off and the battery cartridge is removed before attempting to perform inspection or maintenance.
- Never use gasoline, benzene, thinner, alcohol or the like. Discoloration, deformation or cracks may result.

To maintain product SAFETY and RELIABILITY, repairs, any other maintenance or adjustment should be performed by Makita Authorized Service Centers, always using Makita replacement parts.

OPTIONAL ACCESSORIES

CAUTION:

- These accessories or attachments are recommended for use with your Makita tool specified in this manual. The use of any other accessories or attachments might present a risk of injury to persons. Only use accessory or attachment for its stated purpose.

If you need any assistance for more details regarding these accessories, ask your local Makita Service Center.

- Drill bits
- Hook
- Plastic carrying case
- Various type of Makita genuine batteries and chargers

NOTE:

- Some items in the list may be included in the tool package as standard accessories. They may differ from country to country.

For European countries only

Noise

The typical A-weighted noise level determined according to EN60745:

Sound pressure level (L_{pA}): 73 dB (A)

Uncertainty (K): 3 dB (A)

The noise level under working may exceed 80 dB (A).

Wear ear protection.

ENG202-3

Vibration

The vibration total value (tri-axial vector sum) determined according to EN60745:

Work mode: drilling into metal

Vibration emission ($a_{h,D}$): 2.5 m/s² or less

Uncertainty (K): 1.5 m/s²

ENG901-1

- The declared vibration emission value has been measured in accordance with the standard test method and may be used for comparing one tool with another.
- The declared vibration emission value may also be used in a preliminary assessment of exposure.

WARNING:

- The vibration emission during actual use of the power tool can differ from the declared emission value depending on the ways in which the tool is used.
- Be sure to identify safety measures to protect the operator that are based on an estimation of exposure in the actual conditions of use (taking account of all parts of the operating cycle such as the times when the tool is switched off and when it is running idle in addition to the trigger time).

ENH101-15

For European countries only

EC Declaration of Conformity

We Makita Corporation as the responsible manufacturer declare that the following Makita machine(s):

Designation of Machine: Cordless Angle Drill

Model No./ Type: DDA341, DDA351

are of series production and

Conforms to the following European Directives:

2006/42/EC

And are manufactured in accordance with the following standards or standardised documents:

EN60745

The technical documentation is kept by our authorized representative in Europe who is:

Makita International Europe Ltd.

Michigan Drive, Tongwell,

Milton Keynes, Bucks MK15 8JD, England

30.1.2009



Tomoyasu Kato
Director

Makita Corporation
3-11-8, Sumiyoshi-cho,
Anjo, Aichi, 446-8502, JAPAN

Descriptif

1	Bouton	5	Gâchette	9	Rainure
2	Témoin rouge	6	Lampe	10	Crochet
3	Batterie	7	Inverseur	11	Vis
4	Marque d'étoile	8	Corps		

SPÉCIFICATIONS

Modèle	DDA341	DDA351
Capacités		
Acier	10 mm	10 mm
Bois	25 mm	25 mm
Vitesse à vide (min ⁻¹)	0 – 1 700	0 – 1 800
Longueur totale	326 mm	326 mm
Poids net	1,7 kg	1,8 kg
Tension nominale	14,4 V CC	18 V CC

- Étant donné l'évolution constante de notre programme de recherche et de développement, les spécifications contenues dans ce manuel sont sujettes à modification sans préavis.
- Les spécifications et la batterie peuvent être différentes suivant les pays.
- Poids, avec la batterie, conformément à la procédure EPTA-01/2003

ENE032-1

Utilisation prévue

L'outil est conçu pour le perçage dans le bois, le métal et le plastique.

GEA010-1

Consignes de sécurité générales pour outils électriques

⚠ MISE EN GARDE Veuillez lire toutes les mises en garde et toutes les instructions. Il y a risque de choc électrique, d'incendie et/ou de blessure grave si les mises en garde et les instructions ne sont pas respectées.

Conservez toutes les mises en garde et instructions pour référence ultérieure.

ENC007-7

GEB051-2

CONSIGNES DE SÉCURITÉ POUR LA PERCEUSE SANS FIL

1. **Utilisez la ou les poignée(s) auxiliaire(s), si l'outil en possède.** Toute perte de maîtrise comporte un risque de blessure.
2. **Saisissez l'outil électrique par ses surfaces de poigne isolées lorsque vous effectuez une opération au cours de laquelle l'outil tranchant peut entrer en contact avec un câble caché.** Le contact de l'outil tranchant avec un fil sous tension peut mettre les parties métalliques de l'outil électrique sous tension et causer un choc électrique chez l'utilisateur.
3. **Assurez-vous toujours de travailler en position stable.** Lorsque vous utilisez l'outil dans un endroit élevé, assurez-vous qu'il n'y a personne en bas.
4. **Tenez votre outil fermement.**
5. **Gardez les mains éloignées des pièces en rotation.**

6. **Ne laissez pas l'outil tourner. Ne le faites fonctionner que lorsque vous le tenez.**
7. **Ne touchez pas le foret ni la pièce tout de suite après la coupe, car ils seraient extrêmement chauds et pourraient vous brûler.**
8. **Certains matériaux contiennent des produits chimiques qui peuvent être toxiques. Prenez les précautions nécessaires pour ne pas inhaler les poussières qu'ils dégagent et pour éviter tout contact avec la peau. Conformez-vous aux consignes de sécurité du fabricant.**

CONSERVEZ CES INSTRUCTIONS.

AVERTISSEMENT :

NE vous laissez **PAS** tromper (au fil d'une utilisation répétée) par un sentiment d'aisance et de familiarité avec le produit, en négligeant le respect rigoureux des consignes de sécurité qui accompagnent le produit en question. La **MAUVAISE UTILISATION** de l'outil ou l'ignorance des consignes de sécurité indiquées dans ce manuel d'instructions peut entraîner une blessure grave.

CONSIGNES DE SÉCURITÉ IMPORTANTES

POUR LA BATTERIE

1. **Avant d'utiliser la batterie, lisez toutes les instructions et précautions relatives (1) au chargeur de batterie, (2) à la batterie, et (3) à l'outil utilisant la batterie.**
2. **Ne démontez pas la batterie.**
3. **Cessez immédiatement l'utilisation si le temps de fonctionnement devient excessivement court.** Il y a risque de surchauffe, de brûlures, voire d'explosion.
4. **Si l'électrolyte pénètre dans vos yeux, rincez-les à l'eau claire et consultez immédiatement un médecin.** Il y a risque de perte de la vue.
5. **Ne court-circuitez pas la batterie :**
 - (1) **Ne touchez les bornes avec aucun matériau conducteur.**
 - (2) **Évitez de ranger la batterie dans un conteneur avec d'autres objets métalliques, par exemple des clous, des pièces de monnaie, etc.**

- (3) N'exposez pas la batterie à l'eau ou à la pluie. Un court-circuit de la batterie pourrait provoquer un fort courant, une surchauffe, parfois des brûlures et même une panne.
- Ne rangez pas l'outil ou la batterie dans des endroits où la température risque d'atteindre ou de dépasser 50°C.
 - Ne jetez pas la batterie au feu même si elle est sérieusement endommagée ou complètement épuisée. La batterie peut exploser au contact du feu.
 - Prenez garde d'échapper ou de heurter la batterie.
 - N'utilisez pas une batterie abîmée.

CONSERVEZ CES INSTRUCTIONS.

Conseils pour assurer la durée de vie optimale de la batterie

- Rechargez la batterie avant qu'elle ne soit complètement déchargée. Arrêtez toujours l'outil et rechargez la batterie quand vous remarquez que la puissance de l'outil diminue.
- Ne rechargez jamais une batterie complètement chargée. La surcharge réduit la durée de service de la batterie.
- Chargez la batterie alors que la température de la pièce se trouve entre 10°C et 40°C. Avant de charger une batterie chaude, laissez-la refroidir.
- Chargez la batterie tous les six mois si elle reste inutilisée pendant une période prolongée.

DESCRIPTION DU FONCTIONNEMENT

ATTENTION :

- Assurez-vous toujours que l'outil est hors tension et que sa batterie est retirée avant de l'ajuster ou de vérifier son fonctionnement.

Installation ou retrait de la batterie (Fig. 1)

- Mettez toujours l'outil hors tension avant d'installer ou de retirer la batterie.
- Pour retirer la batterie, faites-la glisser de l'outil tout en faisant glisser le bouton à l'avant de la batterie.
- Pour installer la batterie, alignez la languette de la batterie avec la rainure située dans le carter, puis faites-la glisser en place. Insérez-la toujours à fond, jusqu'à ce qu'un léger dé clic se fasse entendre. Si le témoin rouge est visible sur la face supérieure du bouton, cela signifie que la batterie n'est pas parfaitement verrouillée. Installez-la à fond, jusqu'à ce que le témoin rouge ne soit plus visible. Sinon, elle pourrait tomber accidentellement de l'outil, au risque de vous blesser ou de blesser quelqu'un se trouvant près de vous.
- N'appliquez pas une force excessive lors de l'installation de la batterie. Si la batterie ne glisse pas aisément, c'est qu'elle n'est pas insérée correctement.

Dispositif de protection de la batterie (batterie au lithium-ion avec marque étoilée) (Fig. 2)

Les batteries au lithium-ion avec une marque étoilée sont dotées d'un dispositif de protection. Ce dispositif coupe automatiquement l'alimentation de l'outil pour prolonger la durée de service de la batterie.

Si l'outil et/ou la batterie se trouve dans l'une ou l'autre des situations suivantes, l'outil cessera automatiquement de fonctionner.

- Surchargé :
L'outil est utilisé de manière telle qu'il consomme un courant anormalement élevé.
Il faut alors libérer la gâchette de l'outil et cesser l'application qui cause la surcharge. Tirez ensuite de nouveau sur la gâchette pour redémarrer.
Si l'outil ne démarre pas, cela signifie que la batterie est trop chaude. Il faut alors laisser refroidir la batterie avant de tirer de nouveau sur la gâchette.
- Faible tension de la batterie :
La charge restante de la batterie étant trop faible, l'outil ne fonctionne pas. Il faut alors retirer la batterie et la recharger.

Interrupteur (Fig. 3)

ATTENTION :

- Avant d'insérer la batterie dans l'outil, vérifiez toujours que la gâchette fonctionne bien et revient en position d'arrêt lorsque relâchée.

Pour mettre l'outil en marche, appuyez simplement sur la gâchette. La vitesse de l'outil augmente à mesure que l'on accroît la pression exercée sur la gâchette. Pour l'arrêter, relâchez la gâchette.

ATTENTION :

- Vous devez tenir l'outil fermement avant de le mettre hors tension.

Allumage de la lampe avant (Fig. 4)

ATTENTION :

- Évitez de regarder directement le faisceau lumineux ou sa source.

Appuyez sur la gâchette pour allumer la lampe. La lampe demeure allumée tant que la pression sur la gâchette est maintenue. Lorsque vous relâchez la gâchette, la lumière s'éteint au bout de 10 – 15 secondes.

NOTE :

- Utilisez un chiffon sec pour essuyer la saleté qui recouvre la lentille de la lampe. Prenez garde de rayer la lentille de la lampe, pour éviter une diminution de l'éclairage.

Inverseur (Fig. 5)

L'outil possède un inverseur qui permet de changer le sens de rotation. Enfoncez le levier inverseur du côté A pour une rotation dans le sens des aiguilles d'une montre, ou du côté B pour une rotation dans le sens inverse des aiguilles d'une montre.

La pression sur la gâchette n'est pas possible lorsque le levier inverseur se trouve en position neutre.

ATTENTION :

- Vérifiez toujours le sens de rotation avant de mettre l'outil en marche.
- N'actionnez l'inverseur qu'une fois que l'outil est complètement arrêté. Si vous changez le sens de rotation avant l'arrêt de l'outil, vous risquez de l'endommager.
- Lorsque vous n'utilisez pas l'outil, placez toujours le levier inverseur en position neutre.

ASSEMBLAGE

ATTENTION :

- Assurez-vous toujours que l'outil est hors tension et que sa batterie est retirée avant d'effectuer tout travail dessus.

Installation de la poignée latérale (poignée auxiliaire) (Fig. 6)

ATTENTION :

- Avant d'utiliser l'outil, assurez-vous toujours que la poignée latérale est installée de façon sûre.

Vissez la poignée latérale à fond sur l'outil. La poignée latérale peut être installée d'un côté ou de l'autre sur l'outil, selon votre préférence.

Installation ou retrait du foret (Fig. 7)

Tenez solidement l'outil et tournez corps du mandrin dans le sens rétro-horaire pour ouvrir le mandrin. Placez le foret dans le mandrin aussi loin que possible. Tenez solidement l'outil et tournez le corps dans le sens horaire pour serrer le mandrin.

Pour enlever le foret, tenez solidement l'outil et tournez le corps dans le sens rétro-horaire.

Crochet (Fig. 8)

L'outil est équipé d'un crochet pratique qui permet de l'accrocher temporairement.

Ce crochet s'installe d'un côté comme de l'autre de l'outil.

Pour installer le crochet, insérez-le dans une des rainures situées de chaque côté du carter de l'outil, puis serrez-le avec une vis. Pour l'enlever, desserrez la vis et retirez-le.

UTILISATION

ATTENTION :

- Pour utiliser l'outil, tenez-le fermement en plaçant une main sur le point de saisie et l'autre main sur la poignée latérale. (Fig. 9)

Perçage

Perçage du métal

Pour empêcher le foret de glisser en début de perçage, faites une amorce au point de perçage à l'aide d'un poinçon et d'un marteau. Placez ensuite la pointe du foret dans l'amorce et commencez à percer.

Quand vous percez dans du métal, utilisez un lubrifiant de forage. Seuls le fer et le laiton peuvent se percer à sec.

ATTENTION :

- Une pression excessive sur l'outil n'accélère pas le perçage. Au contraire, elle risque d'endommager la pointe du foret, de réduire le rendement de l'outil et donc sa durée de service.

- Une force énorme s'exerce sur le foret et l'outil quand le premier émerge sur la face postérieure. Tenez votre outil fermement et faites bien attention dès que la perçage commence à approcher de la face opposée du matériau que vous percez.
- Un foret coincé peut se retirer en utilisant l'inverseur. Il faut alors faire très attention car l'outil risque de reculer brusquement si vous ne le tenez pas fermement.
- Assurez toujours les petites pièces à percer à l'aide d'un étau ou d'un mode de fixation analogue.
- Si l'outil a fonctionné de façon continue jusqu'à ce que la batterie soit déchargée, laissez l'outil reposer pendant 15 minutes avant de recommencer avec une batterie fraîche.

ENTRETIEN

ATTENTION :

- Assurez-vous toujours que l'outil est hors tension et que la batterie est retirée avant d'y effectuer tout travail d'inspection ou d'entretien.
- N'utilisez jamais d'essence, benzine, diluant, alcool ou autre produit similaire. Cela risquerait de provoquer la décoloration, la déformation ou la fissuration de l'outil.

Pour maintenir la SÉCURITÉ et la FIABILITÉ du produit, les réparations, autres travaux d'entretien et réglages doivent être effectués dans un centre de service Makita agréé, exclusivement avec des pièces de rechange Makita.

ACCESSOIRES EN OPTION

ATTENTION :

- Ces accessoires ou pièces complémentaires sont recommandés pour l'utilisation avec l'outil Makita spécifié dans ce manuel. L'utilisation de tout autre accessoire ou pièce complémentaire peut comporter un risque de blessure. N'utilisez les accessoires ou pièces qu'aux fins auxquelles ils ont été conçus.

Si vous désirez obtenir plus de détails concernant ces accessoires, veuillez contacter le centre de service après-vente Makita le plus près.

- Forets
- Crochet
- Étui de transport en plastique
- Les divers types de batteries et chargeurs Makita authentiques

NOTE :

- Il se peut que certains éléments de la liste soient compris dans l'emballage de l'outil en tant qu'accessoires standard. Ils peuvent varier d'un pays à l'autre.

Pour les pays d'Europe uniquement

Bruit

Niveau de bruit pondéré A typique, déterminé selon EN60745 :

Niveau de pression sonore (L_{pA}) : 73 dB (A)

Incertitude (K) : 3 dB (A)

Le niveau de bruit en fonctionnement peut dépasser 80 dB (A).

Porter des protecteurs anti-bruit.

ENG202-3

Vibrations

Valeur totale de vibrations (somme de vecteur triaxial) déterminée selon EN60745 :

Mode de travail : perçage dans le métal

Émission de vibrations ($a_{h, D}$) : 2,5 m/s² ou moins

Incertitude (K) : 1,5 m/s²

ENG901-1

- La valeur d'émission de vibrations déclarée a été mesurée conformément à la méthode de test standard et peut être utilisée pour comparer les outils entre eux.
- La valeur d'émission de vibrations déclarée peut aussi être utilisée pour l'évaluation préliminaire de l'exposition.

AVERTISSEMENT :

- L'émission de vibrations lors de l'usage réel de l'outil électrique peut être différente de la valeur d'émission déclarée, suivant la façon dont l'outil est utilisé.
- Les mesures de sécurité à prendre pour protéger l'utilisateur doivent être basées sur une estimation de l'exposition dans des conditions réelles d'utilisation (en tenant compte de toutes les composantes du cycle d'utilisation, comme par exemple le moment de sa mise hors tension, lorsqu'il tourne à vide et le moment de son déclenchement).

Pour les pays d'Europe uniquement

Déclaration de conformité CE

Makita Corporation, en tant que fabricant responsable, déclare que la ou les machines suivantes :

Désignation de la machine : Perceuse d'angle sans fil

N° de modèle / Type : DDA341, DDA351

sont produites en série et

sont conformes aux Directives européennes suivantes :

2006/42/CE

et qu'elles sont fabriquées conformément aux normes ou documents normalisés suivants :

EN60745

La documentation technique est conservée par notre représentant agréé en Europe, à savoir :

Makita International Europe Ltd.

Michigan Drive, Tongwell,

Milton Keynes, Bucks MK15 8JD, Angleterre

30.1.2009



Tomoyasu Kato

Directeur

Makita Corporation
3-11-8, Sumiyoshi-cho,
Anjo, Aichi, 446-8502, JAPAN

Übersicht

1 Knopf	5 Ein-Aus-Schalter	9 Führungsnut
2 Rote Anzeige	6 Lampe	10 Haken
3 Akku	7 Drehrichtungsumschalter	11 Schraube
4 Sternsymbol	8 Werkzeugverriegelung	

TECHNISCHE DATEN

Modell	DDA341	DDA351
Schraubkapazität		
Stahl	10 mm	10 mm
Holz	25 mm	25 mm
Leerlaufdrehzahl (min ⁻¹)	0 – 1 700	0 – 1 800
Gesamtlänge	326 mm	326 mm
Gewicht	1,7 kg	1,8 kg
Nennspannung	DC 14,4 V	DC 18 V

- Wir behalten uns vor, Änderungen im Zuge der Entwicklung und des technischen Fortschritts ohne vorherige Ankündigung vorzunehmen.
- Die technischen Daten und der Blockakku können von Land zu Land unterschiedlich sein.
- Gewicht mit Akku nach EPTA-Verfahren 01/2003

ENE032-1

Vorgesehene Verwendung

Die Maschine ist für Bohren in Holz, Metall und Kunststoff vorgesehen.

GEA010-1

Allgemeine Sicherheitswarnungen für Elektrowerkzeuge

⚠️ WARNUNG Lesen Sie alle Sicherheitswarnungen und Anweisungen durch. Eine Missachtung der unten aufgeführten Warnungen und Anweisungen kann zu einem elektrischen Schlag, Brand und/oder schweren Verletzungen führen.

Bewahren Sie alle Warnungen und Anweisungen für spätere Bezugnahme auf.

GEB051-2

FÜR AKKU-BOHRER-SICHERHEITSWARNUNGEN

1. **Benutzen Sie (einen) Zusatzgriff(e), sofern er (sie) mit dem Werkzeug geliefert wurde(n).** Verlust der Kontrolle kann Verletzungen verursachen.
2. **Halten Sie Elektrowerkzeuge nur an den isolierten Griffflächen, wenn Sie Arbeiten ausführen, bei denen die Gefahr besteht, dass verborgene Kabel kontaktiert werden.** Bei Kontakt mit einem Strom führenden Kabel können die freiliegenden Metallteile des Elektrowerkzeugs ebenfalls Strom führend werden, so dass der Benutzer einen elektrischen Schlag erleiden kann.
3. **Achten Sie stets auf sicheren Stand.** Vergewissern Sie sich bei Einsatz der Maschine an hochgelegenen Arbeitsplätzen, dass sich keine Personen darunter aufhalten.
4. **Halten Sie die Maschine mit festem Griff.**
5. **Halten Sie die Hände von rotierenden Teilen fern.**
6. **Lassen Sie die Maschine nicht unbeaufsichtigt laufen.** Benutzen Sie die Maschine nur mit Handhaltung.

7. **Vermeiden Sie eine Berührung des Bohrereinsatzes oder des Werkstücks unmittelbar nach der Bearbeitung, weil sie dann noch sehr heiß sind und Hautverbrennungen verursachen können.**
8. **Manche Materialien können giftige Chemikalien enthalten.** Treffen Sie Vorsichtsmaßnahmen, um das Einatmen von Arbeitsstaub und Hautkontakt zu verhindern. Befolgen Sie die Sicherheitsdaten des Materialherstellers.

BEWAHREN SIE DIESE HINWEISE SORGFÄLTIG AUF.

WARNUNG:

Lassen Sie sich NICHT durch Bequemlichkeit oder Vertrautheit mit dem Produkt (durch wiederholten Gebrauch erworben) von der strikten Einhaltung der Sicherheitsregeln für das vorliegende Produkt abhalten. **MISSBRAUCH** oder Missachtung der Sicherheitsvorschriften in dieser Anleitung können schwere Verletzungen verursachen.

ENC007-7

WICHTIGE SICHERHEITSVORSCHRIFTEN

FÜR AKKU

1. **Lesen Sie vor der Benutzung des Akkus alle Anweisungen und Warnhinweise, die an (1) Ladegerät, (2) Akku und (3) Akkuwerkzeug angebracht sind.**
2. **Unterlassen Sie ein Zerlegen des Akkus.**
3. **Falls die Betriebszeit beträchtlich kürzer geworden ist, stellen Sie den Betrieb sofort ein.** Anderenfalls besteht die Gefahr von Überhitzung, möglichen Verbrennungen und sogar einer Explosion.
4. **Falls Elektrolyt in Ihre Augen gelangt, waschen Sie sie mit sauberem Wasser aus, und begeben Sie sich unverzüglich in ärztliche Behandlung.** Anderenfalls können Sie Ihre Sehkraft verlieren.
5. **Der Akku darf nicht kurzgeschlossen werden:**
 - (1) Die Kontakte dürfen nicht mit leitfähigem Material berührt werden.
 - (2) Lagern Sie den Akku nicht in einem Behälter zusammen mit anderen Metallgegenständen, wie z.B. Nägel, Münzen usw.

(3) Setzen Sie den Akku weder Wasser noch Regen aus.

Ein Kurzschluss des Akkus verursacht starken Stromfluss, der Überhitzung, Verbrennungen und einen Defekt zur Folge haben kann.

6. Lagern Sie Maschine und Akku nicht an Orten, an denen die Temperatur 50°C erreichen oder überschreiten kann.
7. Versuchen Sie niemals, den Akku zu verbrennen, selbst wenn er stark beschädigt oder vollkommen verbraucht ist. Der Akku kann im Feuer explodieren.
8. Achten Sie darauf, dass der Akku nicht fallen gelassen oder Stößen ausgesetzt wird.
9. Benutzen Sie keine beschädigten Akkus.

BEWAHREN SIE DIESE HINWEISE SORGFÄLTIG AUF.

Hinweise zur Aufrechterhaltung der maximalen Akku-Nutzungsdauer

1. Laden Sie den Akku, bevor er vollkommen erschöpft ist. Schalten Sie die Maschine stets aus, und laden Sie den Akku, wenn Sie ein Nachlassen der Maschinenleistung feststellen.
2. Unterlassen Sie das erneute Laden eines voll aufgeladenen Akkus. Überladen führt zu einer Verkürzung der Nutzungsdauer des Akkus.
3. Laden Sie den Akku bei Raumtemperatur zwischen 10°C – 40°C. Lassen Sie einen heißen Akku abkühlen, bevor Sie ihn laden.
4. Laden Sie den Akku bei längerer Nichtbenutzung alle sechs Monate nach.

FUNKTIONSBESCHREIBUNG

VORSICHT:

Vergewissern Sie sich vor der Durchführung von Einstellungen oder Funktionsprüfungen der Maschine stets, dass die Maschine ausgeschaltet und der Akku abgenommen ist.

Anbringen und Abnehmen des Akkus (Abb. 1)

- Schalten Sie die Maschine stets aus, bevor Sie den Akku anbringen oder abnehmen.
- Schieben Sie den Akku zum Abnehmen von der Maschine ab, während Sie den Knopf an der Vorderseite des Akkus drücken.
- Zum Einsetzen des Akkus richten Sie die Führungsfeder des Akkus auf die Nut im Werkzeuggehäuse aus und schieben den Akku hinein. Schieben Sie den Akku stets vollständig ein, bis er mit einem hörbaren Klicken einrastet. Falls die rote Anzeige an der Oberseite des Knopfes sichtbar ist, ist der Akku nicht vollständig verriegelt. Schieben Sie ihn bis zum Anschlag ein, bis die rote Anzeige nicht mehr sichtbar ist. Anderenfalls kann er aus der Maschine herausfallen und Sie oder umstehende Personen verletzen.
- Wenden Sie beim Einsetzen des Akkus keine Gewalt an. Falls der Akku nicht reibungslos hineingleitet, ist er nicht richtig ausgerichtet.

Akku-Schutzsystem (Lithium-Ionen-Akku mit Sternsymbol) (Abb. 2)

Lithium-Ionen-Akkus mit Sternsymbol sind mit einem Schutzsystem ausgestattet. Dieses System schaltet die Stromversorgung der Maschine automatisch ab, um die Akku-Lebensdauer zu verlängern.

Die Maschine schaltet sich während des Betriebs automatisch ab, wenn Maschine und/oder Akku einer der folgenden Bedingungen unterliegen:

• Überlastung:

Die Maschine wird auf eine Weise benutzt, die eine ungewöhnlich hohe Stromaufnahme bewirkt.

Lassen Sie in dieser Situation den Ein-Aus-Schalter der Maschine los, und brechen Sie die Arbeit ab, die eine Überlastung der Maschine verursacht hat. Betätigen Sie dann den Ein-Aus-Schalter erneut, um die Maschine wieder zu starten.

Falls die Maschine nicht startet, ist der Akku überhitzt. Lassen Sie den Akku in dieser Situation abkühlen, bevor Sie den Ein-Aus-Schalter erneut betätigen.

• Niedrige Akkuspannung:

Die Akku-Restkapazität ist zu niedrig, und die Maschine funktioniert nicht. Nehmen Sie in dieser Situation den Akku ab, und laden Sie ihn auf.

Schalterfunktion (Abb. 3)

VORSICHT:

- Vergewissern Sie sich vor dem Einsetzen des Akkus in die Maschine stets, dass der Ein-Aus-Schalter ordnungsgemäß funktioniert und beim Loslassen in die AUS-Stellung zurückkehrt.

Zum Einschalten der Maschine einfach den Ein-Aus-Schalter drücken. Die Drehzahl erhöht sich durch verstärkte Druckausübung auf den Ein-Aus-Schalter. Zum Ausschalten lassen Sie den Ein-Aus-Schalter los.

VORSICHT:

- Halten Sie die Maschine vor dem Ausschalten gut fest.

Einschalten der Frontlampe (Abb. 4)

VORSICHT:

- Blicken Sie nicht direkt in die Lampe oder die Lichtquelle.

Betätigen Sie den Ein-Aus-Schalter, um die Lampe einzuschalten. Die Lampe bleibt erleuchtet, solange der Ein-Aus-Schalter gedrückt gehalten wird. Die Lampe erlischt etwa 10 – 15 Sekunden nach dem Loslassen des Ein-Aus-Schalters automatisch.

HINWEIS:

- Wischen Sie Schmutz auf der Lampenlinse mit einem trockenen Tuch ab. Achten Sie sorgfältig darauf, dass Sie die Lampenlinse nicht verkratzen, weil sich sonst die Lichtstärke verringert.

Drehrichtungsumschalterbedienung (Abb. 5)

Diese Maschine besitzt einen Drehrichtungsumschalter. Drücken Sie auf die Seite A des Drehrichtungsumschalters für Rechtsdrehung, und auf die Seite B für Linksdrehung.

In der Neutralstellung des Drehrichtungsumschalters ist der Ein-Aus-Schalter verriegelt.

VORSICHT:

- Prüfen Sie stets die Drehrichtung, bevor Sie mit der Arbeit beginnen.
- Betätigen Sie den Drehrichtungsumschalter erst, nachdem die Maschine völlig zum Stillstand gekommen ist. Durch Umschalten der Drehrichtung bei noch laufender Maschine kann die Maschine beschädigt werden.
- Stellen Sie den Drehrichtungsumschalter stets auf die Neutralstellung, wenn Sie die Maschine nicht benutzen.

MONTAGE

VORSICHT:

- Vergewissern Sie sich vor der Ausführung von Arbeiten an der Maschine stets, dass die Maschine ausgeschaltet und der Akku abgenommen ist.

Installieren des Seitengriffs (Zusatzgriffs) (Abb. 6)

VORSICHT:

- Vergewissern Sie sich vor dem Betrieb stets, dass der Seitengriff einwandfrei montiert ist.

Schrauben Sie den Seitengriff fest an die Maschine an. Der Seitengriff kann je nach Bevorzugung auf der linken oder rechten Seite der Maschine angebracht werden.

Montage oder Demontage von Einsatzwerkzeugen (Abb. 7)

Halten Sie die Maschine gut festhalten und drehen Sie die Werkzeugverriegelung gegen den Uhrzeigersinn, um das Bohrfutter zu öffnen. Das Einsatzwerkzeug so weit wie möglich in das Bohrfutter einsetzen. Zum Spannen die Maschine gut festhalten und die Werkzeugverriegelung im Uhrzeigersinn drehen.

Zum Entfernen eines Einsatzwerkzeuges die Maschine gut festhalten und die Werkzeugverriegelung gegen den Uhrzeigersinn drehen.

Haken (Abb. 8)

Der Haken ist praktisch, um die Maschine vorübergehend aufzuhängen. Der Haken kann auf beiden Seiten der Maschine angebracht werden.

Um den Haken anzubringen, führen Sie ihn in die Nut entweder auf der linken oder rechten Seite des Werkzeuggehäuses ein, und sichern Sie ihn dann mit einer Schraube. Um den Haken zu entfernen, lösen Sie die Schraube, und nehmen Sie dann den Haken heraus.

BETRIEB

VORSICHT:

- Halten Sie die Maschine bei der Arbeit mit einer Hand am Griffteil und mit der anderen am Seitengriff. (Abb. 9)

Bohren

Bohren in Metall

Damit der Bohrer beim Anbohren nicht verläuft, ist die zu bohrende Stelle mit einem Körner anzukörnen. Dann den Bohrer in die Vertiefung setzen und die Maschine einschalten.

Beim Bohren von Metall ein Schneidöl verwenden. NE-Metalle werden allerdings ohne Zugabe von Schneidemulsionen bearbeitet.

VORSICHT:

- Ein zu starker Druck auf die Maschine bewirkt keine Beschleunigung der Bohrleistung. Ein zu hoher Schnittdruck führt zu einer Beschädigung der Bohrspitze und damit zu Verringerung der Bohrerstandzeit und Überanspruchung der Maschine.
- Beim Austritt des Bohrers aus dem Werkstück wirkt ein hohes Rückdrehmoment auf die Maschine. Deshalb die Maschine gut festhalten und den Vorschub verringern, wenn der Bohrer durch das Werkstück dringt.
- Ein festsitzender Bohrer lässt sich durch Umschalten der Drehrichtung auf Linkslauf wieder herausdrehen. Die Maschine ist gut festzuhalten, da im Linkslauf ein hohes Rückdrehmoment auf die Maschine auftritt.
- Kleine Werkstücke stets in einem Schraubstock einspannen oder mit einer Schraubzwinde sichern.
- Wenn die Maschine im Dauerbetrieb verwendet wird, und der Akku vollständig entladen wurde, lassen Sie die Maschine vor Verwendung eines geladenen Akkus 15 Min. abkühlen.

WARTUNG

VORSICHT:

- Vergewissern Sie sich vor der Durchführung von Inspektions- oder Wartungsarbeiten stets, dass die Maschine ausgeschaltet und der Akku abgenommen ist.
- Verwenden Sie auf keinen Fall Benzin, Benzol, Verdünner, Alkohol oder dergleichen. Solche Mittel können Verfärbung, Verformung oder Rissbildung verursachen.

Um die SICHERHEIT und ZUVERLÄSSIGKEIT dieses Produkts zu gewährleisten, sollten Reparaturen und andere Wartungs- oder Einstellarbeiten nur von Makita-Kundendienstzentren unter ausschließlicher Verwendung von Makita-Originalersatzteilen ausgeführt werden.

SONDERZUBEHÖR

VORSICHT:

- Die folgenden Zubehörteile oder Vorrichtungen werden für den Einsatz mit der in dieser Anleitung beschriebenen Makita-Maschine empfohlen. Die Verwendung anderer Zubehörteile oder Vorrichtungen kann eine Verletzungsgefahr darstellen. Verwenden Sie Zubehörteile oder Vorrichtungen nur für ihren vorgesehenen Zweck.

Wenn Sie weitere Einzelheiten bezüglich dieser Zubehörteile benötigen, wenden Sie sich bitte an Ihre Makita-Kundendienststelle.

- Bohreinsätze
- Haken
- Plastikkoffer
- Verschiedene Original-Makita-Akkus und -Ladegeräte

HINWEIS:

- Manche Teile in der Liste können als Standardzubehör im Werkzeugsatz enthalten sein. Sie können von Land zu Land unterschiedlich sein.

Nur für europäische Länder**Geräusch**

Typischer A-bewerteter Geräuschpegel ermittelt gemäß EN60745:

Schalldruckpegel (L_{pA}): 73 dB (A)

Ungewissheit (K): 3 dB (A)

Der Lärmpegel kann während des Betriebs 80 dB (A) überschreiten.

Gehörschutz tragen.

ENG202-3

Vibration

Vibrationsgesamt看wert (Drei-Achsen-Vektorsumme)

ermittelt gemäß EN60745:

Arbeitsmodus: Bohren in Metall

Vibrationsemission ($a_{h,D}$): 2,5 m/s² oder weniger

Ungewissheit (K): 1,5 m/s²

ENG901-1

- Der angegebene Vibrationsemissionswert wurde im Einklang mit der Standardprüfmethode gemessen und kann für den Vergleich zwischen Maschinen herangezogen werden.
- Der angegebene Vibrationsemissionswert kann auch für eine Vorbewertung des Gefährdungsgrads verwendet werden.

WARNUNG:

- Die Vibrationsemission während der tatsächlichen Benutzung des Elektrowerkzeugs kann je nach der Benutzungsweise der Maschine vom angegebenen Emissionswert abweichen.
- Identifizieren Sie Sicherheitsmaßnahmen zum Schutz des Benutzers anhand einer Schätzung des Gefährdungsgrads unter den tatsächlichen Benutzungsbedingungen (unter Berücksichtigung aller Phasen des Arbeitszyklus, wie z. B. Ausschalt- und Leerlaufzeiten der Maschine zusätzlich zur Betriebszeit).

Nur für europäische Länder**EG-Übereinstimmungserklärung**

Wir, die Firma Makita als verantwortlicher Hersteller, erklären, dass die folgende(n) Makita-Maschine(n):

Bezeichnung der Maschine: Akku-Winkelbohrmaschine
Modell-Nr./ Typ: DDA341, DDA351

der Serienproduktion entstammen und

den folgenden europäischen Richtlinien entsprechen:

2006/42/EG

und gemäß den folgenden Standards oder standardisierten Dokumenten hergestellt werden:

EN60745

Die technische Dokumentation befindet sich im Bestand unserer autorisierten Vertretung in Europa, nämlich:

Makita International Europe Ltd.

Michigan Drive, Tongwell,

Milton Keynes, Bucks MK15 8JD, England

30.1.2009



Tomoyasu Kato
Direktor

Makita Corporation
3-11-8, Sumiyoshi-cho,
Anjo, Aichi, 446-8502, JAPAN

Visione generale

1	Bottone	5	Grilletto dell'interruttore	9	Scanalatura
2	Indicatore rosso	6	Lampadina	10	Gancio
3	Batteria	7	Interruttore di inversione	11	Vite
4	Marchio di stella	8	Manicotto		

DATI TECNICI

Modello	DDA341	DDA351
Capacità		
Acciaio	10 mm	10 mm
Legno	25 mm	25 mm
Velocità a vuoto (min ⁻¹)	0-1.700	0-1.800
Lunghezza totale	326 mm	326 mm
Peso netto	1,7 kg	1,8 kg
Tensione nominale	14,4 V CC	18 V CC

- Per il nostro programma di ricerca e sviluppo continui, i dati tecnici sono soggetti a modifiche senza preavviso.
- I dati tecnici e la cartuccia batteria potrebbero differire da paese a paese.
- Peso, con batteria, secondo la Procedura EPTA 01/2003

ENE032-1

Utilizzo previsto

L'utensile è progettato per trapanare nel legno, nel metallo e nella plastica.

GEA010-1

Avvertimenti generali per la sicurezza dell'utensile elettrico

⚠️ AVVERTIMENTO Leggere tutti gli avvertimenti per la sicurezza e le istruzioni. La mancata osservanza degli avvertimenti e delle istruzioni può causare scosse elettriche, incendio e/o gravi incidenti.

ENC007-7

Conservare tutti gli avvertimenti e le istruzioni per riferimenti futuri.

GEB051-2

AVVERTIMENTI PER LA SICUREZZA TRAPANO A BATTERIA

1. Usare il manico ausiliario, se è in dotazione all'utensile. La perdita di controllo può provocare lesioni personali.
2. Tenere gli utensili elettrici per le superfici di presa isolate quando si eseguono operazioni in cui l'utensile da taglio potrebbe fare contatto con fili elettrici nascosti. Se l'utensile da taglio entra in contatto con un filo elettrico "sotto tensione" mette "sotto tensione" le parti metalliche esposte dell'utensile, dando una scossa all'operatore.
3. Accertarsi sempre di avere i piedi appoggiati saldamente.
Accertarsi che non ci sia nessuno sotto quando si usa l'utensile in un posto alto.
4. Tenere saldamente l'utensile.
5. Tenere le mani lontane dalle parti rotanti.
6. Non far funzionare l'utensile senza usarlo. Farlo funzionare soltanto tenendolo in mano.
7. Non toccare la punta del trapano o il pezzo da lavorare immediatamente dopo il lavoro, perché potrebbero essere estremamente caldi e causare bruciature.

8. Alcuni materiali contengono sostanze chimiche che potrebbero essere tossiche. Fare attenzione per evitarne l'inalazione o il contatto con la pelle. Osservare i dati per la sicurezza forniti dal produttore del materiale.

CONSERVARE QUESTE ISTRUZIONI.

AVVERTIMENTO:

NON lasciare che comodità o la familiarità d'utilizzo con il prodotto (acquisita con l'uso ripetuto) sostituisca la stretta osservanza delle norme di sicurezza. L'utilizzo SBAGLIATO o la mancata osservanza delle norme di sicurezza di questo manuale di istruzioni potrebbero causare lesioni serie.

ISTRUZIONI IMPORTANTI DI SICUREZZA

PER LA CARTUCCIA DELLA BATTERIA

1. Prima di usare la cartuccia della batteria, leggere tutte le istruzioni e le avvertenze sul (1) carica-batteria, sulla (2) batteria e sul (3) prodotto che utilizza la batteria.
2. Non smontare la cartuccia della batteria.
3. Se il tempo di utilizzo è diventato molto corto, smettere immediatamente di usare l'utensile. Può risultare un rischio di surriscaldamento, possibili ustioni e addirittura un'esplosione.
4. Se l'elettrolita va negli occhi, risciacquarli con acqua pulita e rivolgersi immediatamente ad un medico. Può risultare la perdita della vista.
5. Non cortocircuitare la cartuccia della batteria:
 - (1) Non toccare i terminali con qualche metallo conduttivo.
 - (2) Evitare di conservare la cartuccia della batteria in un contenitore con altri oggetti metallici come i chiodi, le monete, ecc.
 - (3) Non esporre la cartuccia della batteria all'acqua o alla pioggia.
 Un cortocircuito della batteria può causare un grande flusso di corrente, il surriscaldamento, possibili ustioni e addirittura un guasto.
6. Non conservare l'utensile e la cartuccia della batteria in luoghi in cui la temperatura può raggiungere o superare i 50°C.

7. **Non incenerire la cartuccia della batteria anche se è gravemente danneggiata o è completamente esaurita. La cartuccia della batteria può esplodere e provocare un incendio.**
8. **Fare attenzione a non lasciar cadere o a colpire la batteria.**
9. **Non usare una batteria danneggiata.**

CONSERVARE QUESTE ISTRUZIONI.

Suggerimenti per mantenere la durata massima della batteria

1. **Caricare la cartuccia della batteria prima che si scarichi completamente. Smettere sempre di usare l'utensile e caricare la cartuccia della batteria quando si nota che la potenza dell'utensile è diminuita.**
2. **Non ricaricare mai una cartuccia della batteria completamente carica. La sovraccarica riduce la durata della batteria.**
3. **Caricare la cartuccia della batteria con la temperatura ambiente da 10°C a 40°C. Lasciar raffreddare una cartuccia della batteria calda prima di caricarla.**
4. **Caricare la cartuccia della batteria una volta ogni sei mesi se non si intende usarla per un lungo periodo di tempo.**

DESCRIZIONE FUNZIONALE

ATTENZIONE:

- Accertarsi sempre che l'utensile sia spento e che la batteria sia stata rimossa prima di regolare o di controllare il funzionamento dell'utensile.

Installazione o rimozione della batteria (Fig. 1)

- Spegnere sempre l'utensile prima di inserire o di rimuovere la cartuccia batteria.
- Per rimuovere la cartuccia batteria, ritrarla dall'utensile spingendo il bottone sulla parte anteriore della cartuccia batteria.
- Per installare la cartuccia batteria, allineare l'appendice sulla cartuccia batteria con la scanalatura dell'alloggiamento e inserirla in posizione. Inserirla sempre completamente finché non si blocca con un piccolo scatto. Se si vede l'indicatore rosso sulla parte superiore del bottone, vuol dire che non è bloccata completamente. Installarla completamente finché non si vede più l'indicatore rosso. In caso contrario, potrebbe cadere dall'utensile con pericolo di ferite per l'operatore o per chi gli è vicino.
- Per installare la cartuccia batteria non bisogna usare forza. Se la cartuccia batteria non entra facilmente, vuol dire che non viene inserita correttamente.

Sistema di protezione batteria (batteria agli ioni di litio con marchio di stella) (Fig. 2)

Le batterie agli ioni di litio con il marchio di una stella sono dotate di un sistema di protezione. Questo sistema interrompe automaticamente la corrente all'utensile per estendere la vita della batteria.

L'utensile si arresta automaticamente mentre funziona se esso o la batteria vengono a trovarsi in una delle condizioni seguenti:

- Sovraccarico:
L'utensile viene usato in un modo che causa un assorbimento di corrente anormalmente alto.

In tal caso, rilasciare l'interruttore sull'utensile e interrompere l'applicazione che ha causato il sovraccarico. Schiacciare poi di nuovo l'interruttore per riavviare l'utensile.

Se l'utensile non si avvia, vuol dire che la batteria è surriscaldata. In tal caso, lasciare raffreddare la batteria prima di schiacciare di nuovo l'interruttore.

- Bassa tensione della batteria:
La capacità restante della batteria è troppo bassa e l'utensile non funziona. In tal caso, rimuovere e ricaricare la batteria.

Funzionamento dell'interruttore (Fig. 3)

ATTENZIONE:

- Prima di inserire la batteria nell'utensile, controllare sempre che il grilletto dell'interruttore funzioni correttamente e torni sulla posizione "OFF" quando viene rilasciato.

Per avviare l'utensile, schiacciare semplicemente il grilletto dell'interruttore. La velocità dell'utensile si aumenta aumentando la pressione sull'interruttore. Rilasciare l'interruttore per fermarlo.

ATTENZIONE:

- Tenere saldamente l'utensile prima di spegnerlo.

Accensione della lampadina anteriore (Fig. 4)

ATTENZIONE:

- Non guardare direttamente la luce o la fonte della lampadina.

Schiacciare il grilletto dell'interruttore per accendere la lampadina. La lampadina rimane accesa mentre il grilletto dell'interruttore è schiacciato. La lampadina si spegne automaticamente 10 – 15 secondi dopo che l'interruttore è stato rilasciato.

NOTA:

- Usare un panno asciutto per pulire la lente della lampadina. Fare attenzione a non graffiare la lente della lampadina, perché si potrebbe ridurre l'illuminazione.

Funzionamento dell'interruttore di inversione (Fig. 5)

Questo utensile è dotato di un interruttore di inversione, che cambia la direzione di rotazione. Schiacciare la leva interruttore inversione dal lato A per la rotazione in senso orario, o dal lato B per la rotazione in senso antiorario. Quando la leva interruttore inversione si trova sulla posizione neutra, non si può schiacciare il grilletto dell'interruttore.

ATTENZIONE:

- Controllare sempre la direzione di rotazione prima di avviare l'utensile.
- Usare l'interruttore di inversione soltanto dopo che l'utensile si è fermato completamente. Se si cambia la direzione di rotazione prima dell'arresto dell'utensile, lo si potrebbe danneggiare.
- Quando non si usa l'utensile, regolare sempre la leva interruttore inversione sulla posizione neutra.

MONTAGGIO

ATTENZIONE:

- Accertarsi sempre che l'utensile sia spento e che la batteria sia stata rimossa prima di qualsiasi intervento sull'utensile.

Installazione dell'impugnatura laterale (manico ausiliario) (Fig. 6)

ATTENZIONE:

- Accertarsi sempre che l'impugnatura laterale sia installata saldamente prima di usare l'utensile.

Avvitare saldamente l'impugnatura laterale all'utensile. L'impugnatura laterale può essere installata ad entrambi i lati dell'utensile, come più comodo.

Montaggio o smontaggio della punta del trapano (Fig. 7)

Tenere saldamente l'utensile e girare il manicotto in senso antiorario in modo da aprire le ganasce del mandrino. Inserire la punta nel mandrino lasciandola entrare bene in fondo. Tenere ancora saldamente l'utensile e girare il manicotto in senso orario in modo da serrare il mandrino.

Per togliere la punta, tenere saldamente l'utensile e girare il manicotto in senso antiorario.

Gancio (Fig. 8)

Il gancio è comodo per appendere temporaneamente l'utensile. Esso può essere installato ad entrambi i lati dell'utensile.

Per installare il gancio, inserirlo nella scanalatura di uno dei lati della cassa dell'utensile e fissarlo poi con una vite. Per rimuoverlo, togliere la vite ed estrarlo.

FUNZIONAMENTO

ATTENZIONE:

- Per usare l'utensile, tenerlo saldamente con una mano sulla parte da impugnare e con l'altra sull'impugnatura laterale. (Fig. 9)

Operazione di foratura

Foratura su metalli

Per evitare che la punta scivoli all'inizio della foratura si suggerisce di fare un punto guida con un punzone sul punto dove si vuole fare il foro. Piazzare la punta sul punto punzonato e iniziare la foratura.

Usare un olio lubrificatore quando si lavora su metalli. Le uniche eccezioni sono ferro e ottone che richiedono di lavorare all'asciutto.

ATTENZIONE:

- Una pressione eccessiva sull'utensile non permette una lavorazione più veloce. Infatti questa eccessiva pressione servirà solo a danneggiare la punta, a diminuire le possibilità di lavorazione e aiuterà a danneggiare l'utensile più in fretta.

- Al momento dell'uscita della punta dall'estremità del foro, una grande forza viene esercitata sulla punta e sull'utensile. Tenere l'utensile ben fermo in mano e fare attenzione quando la punta sta arrivando verso la fine del foro.
- Una punta che si è bloccata può essere liberata semplicemente inserendo il moto inverso dell'utensile. Anche in questo caso, l'utensile potrebbe tornare indietro di colpo se non lo si tiene ben fermo.
- Sempre fissare pezzi piccoli su morse oppure altri strumenti di fissaggio.
- Se si fa funzionare continuamente l'utensile finché la cartuccia batteria si scarica, lasciarlo riposare per 15 minuti prima di continuare con un'altra batteria.

MANUTENZIONE

ATTENZIONE:

- Accertarsi sempre che l'utensile sia spento e che la batteria sia stata rimossa prima dell'intervento di ispezione o manutenzione.
- Mai usare benzina, benzene, solventi, alcol e altre sostanze simili. Potrebbero causare scolorimenti, deformazioni o crepe.

Per preservare la sicurezza e l'affidabilità del prodotto, le riparazioni, la manutenzione o la regolazione devono essere eseguite da un Centro Assistenza Makita autorizzato usando sempre ricambi Makita.

ACCESSORI OPZIONALI

ATTENZIONE:

- Per l'utensile specificato in questo manuale, si consigliano questi accessori o ricambi. L'utilizzo di altri accessori o ricambi può costituire un pericolo. Usare soltanto gli accessori o ricambi specificati per il loro utilizzo.

Per maggiori dettagli e l'assistenza, rivolgersi al Centro Assistenza Makita locale.

- Punta del trapano
- Gancio
- Valigetta di plastica
- Vari tipi di batterie e caricabatterie autentiche Makita

NOTA:

- Alcuni articoli nella lista potrebbero essere inclusi nell'imballo dell'utensile come accessori standard. Essi potrebbero differire da Paese a Paese.

Modello per l'Europa soltanto

Rumore

Il tipico livello di rumore pesato A determinato secondo EN60745:

Livello pressione sonora (L_{pA}): 73 dB (A)

Incertezza (K): 3 dB (A)

Il livello di rumore durante il lavoro potrebbe superare gli 80 dB (A).

Indossare i paraorecchi.

ENG202-3

Vibrazione

Il valore totale di vibrazione (somma vettore triassiale) determinato secondo EN60745:

Modalità operativa: foratura del metallo

Emissione di vibrazione ($a_{h,D}$): 2,5 m/s² o meno

Incertezza (K): 1,5 m/s²

ENG901-1

- Il valore di emissione delle vibrazioni dichiarato è stato misurato conformemente al metodo di test standard, e può essere usato per paragonare un utensile con un altro.
- Il valore di emissione delle vibrazioni dichiarato può anche essere usato per una valutazione preliminare dell'esposizione.

AVVERTIMENTO:

- L'emissione delle vibrazioni durante l'uso reale dell'utensile elettrico può differire dal valore di emissione dichiarato a seconda dei modi in cui viene usato l'utensile.
- Identificare le misure di sicurezza per la protezione dell'operatore basate sulla stima dell'esposizione nelle condizioni reali d'utilizzo (tenendo presente tutte le parti del ciclo operativo, come le volte in cui l'utensile viene spento e quando gira a vuoto, oltre al tempo di funzionamento).

Modello per l'Europa soltanto

Dichiarazione CE di conformità

Noi della Makita Corporation, come produttori responsabili, dichiariamo che le macchine Makita seguenti:

Designazione della macchina:

Trapano ad angolo a batteria

Modello No./Tipo: DDA341, DDA351

sono una produzione di serie e

conformi alle direttive europee seguenti:

2006/42/CE

E sono fabbricate conformemente ai seguenti standard o documenti standardizzati:

EN60745

La documentazione tecnica è tenuta dal nostro rappresentante autorizzato in Europa, che è:

Makita International Europe Ltd.

Michigan Drive, Tongwell,

Milton Keynes, Bucks MK15 8JD, England

30.1.2009



Tomoyasu Kato
Amministratore

Makita Corporation
3-11-8, Sumiyoshi-cho,
Anjo, Aichi, 446-8502, JAPAN

Verklaring van algemene gegevens

1 Knop	5 Trekschakelaar	9 Gleuf
2 Rood aanduiding	6 Lamp	10 Haak
3 Accu	7 Omkeerschakelaar	11 Schroef
4 Stermarkering	8 Bus	

TECHNISCHE GEGEVENS

Model	DDA341	DDA351
Capaciteit		
Staal	10 mm	10 mm
Hout	25 mm	25 mm
Toerental onbelast (min ⁻¹)	0–1 700	0–1 800
Totale lengte	326 mm	326 mm
Netto gewicht	1,7 kg	1,8 kg
Nominale spanning	DC 14,4 V	DC 18 V

- In verband met ononderbroken research en ontwikkeling behouden wij ons het recht voor bovenstaande technische gegevens te wijzigen zonder voorafgaande kennisgeving.
- De technische gegevens de accu kunnen van land tot land verschillen.
- Gewicht, inclusief accu, volgens de EPTA-procedure 01/2003

ENE032-1

Doeleinden van gebruik

Dit gereedschap is bedoeld voor het boren van schroeven in hout, metaal en plastic.

GEA010-1

Algemene veiligheidswaarschuwingen voor elektrisch gereedschap

⚠ WAARSCHUWING! Lees alle veiligheidswaarschuwingen en alle instructies. Het niet volgen van de waarschuwingen en instructies kan leiden tot elektrische schokken, brand en/of ernstig letsel.

Bewaar alle waarschuwingen en instructies om in de toekomst te kunnen raadplegen.

GEB051-2

VEILIGHEIDSWAARSCHUWINGEN VOOR SNOERLOZE BOORMACHINE

- Gebruik de hulphandgreep/hulphandgrepen, als deze bij het gereedschap werden geleverd.** Als u de controle over het gereedschap verliest, kan dit leiden tot ernstig persoonlijk letsel.
- Houd elektrisch gereedschap vast aan het geïsoleerde oppervlak van de handgrepen wanneer u werkt op plaatsen waar het slijpaccessoire met verborgen bedrading in aanraking kan komen.** Wanneer het booraccessoire in aanraking komen met onder spanning staande draden, zullen de niet-geïsoleerde metalen delen van het gereedschap onder spanning komen te staan zodat de gebruiker een elektrische schok kan krijgen.
- Zorg ervoor dat u altijd stevige steun voor de voeten hebt.** Controleer of er zich niemand beneden u bevindt wanneer u het gereedschap op een hoge plaats gaat gebruiken.
- Houd het gereedschap stevig vast.**

- Houd uw handen uit de buurt van de draaiende onderdelen.**
- Laat het gereedschap niet achter terwijl het nog in bedrijf is. Bedien het gereedschap alleen wanneer u het met beide handen vasthoudt.**
- Raak de boor of het werkstuk niet aan onmiddellijk na het gebruik; deze kunnen erg heet zijn en brandwonden veroorzaken.**
- Sommige materialen bevatten chemische stoffen die giftig kunnen zijn. Neem de nodige voorzorgsmaatregelen tegen inademing van stof en contact met de huid. Volg de veiligheidsinstructies van de leverancier van het materiaal op.**

BEWAAR DEZE VOORSCHRIFTEN.

WAARSCHUWING:

Laat u NIET misleiden door een vals gevoel van comfort en bekendheid met het gereedschap (na veelvuldig gebruik) en neem alle veiligheidsvoorschriften van het betreffende gereedschap altijd strikt in acht. **VERKEERD GEBRUIK** of het niet naleven van de veiligheidsvoorschriften in deze gebruiksaanwijzing kan leiden tot ernstige verwondingen.

ENC007-7

BELANGRIJKE VEILIGHEIDSVORSCHRIFTEN

VOOR ACCU

- Lees alle voorschriften en waarschuwingen op (1) de acculader, (2) de accu, en (3) het product waarvoor de accu wordt gebruikt, aandachtig door alvorens de acculader in gebruik te nemen.
- Neem de accu niet uit elkaar.
- Als de gebruikstijd van een opgeladen accu aanzienlijk korter is geworden, moet u het gebruik ervan onmiddellijk stopzetten. Voortgezet gebruik kan oververhitting, brandwonden en zelfs een ontploffing veroorzaken.
- Als er elektrolyt in uw ogen is terechtgekomen, spoel dan uw ogen met schoon water en roep onmiddellijk de hulp van een dokter in. Elektrolyt in de ogen kan blindheid veroorzaken.
- Voorkom kortsluiting van de accu:

- (1) Raak de accuklemmen nooit aan met een geleidend materiaal.
 - (2) Bewaar de accu niet in een bak waarin andere metalen voorwerpen zoals spijkers, munten e.d. worden bewaard.
 - (3) Stel de accu niet bloot aan water of regen. Kortsluiting van de accu kan oorzaak zijn van een grote stroomafgifte, oververhitting, brandwonden, en zelfs defecten.
6. Bewaar het gereedschap en de accu niet op plaatsen waar de temperatuur kan oplopen tot 50°C of hoger.
 7. Werp de accu nooit in het vuur, ook niet wanneer hij zwaar beschadigd of volledig versleten is. De accu kan namelijk ontploffen in het vuur.
 8. Wees voorzichtig dat u de accu niet laat vallen en hem niet blootstelt aan schokken of stoten.
 9. Gebruik nooit een beschadigde accu.

BEWAAR DEZE VOORSCHRIFTEN

Tips voor een maximale levensduur van de accu

1. Laad de accu op voordat hij volledig ontladen is. Stop het gebruik van het gereedschap en laad de accu op telkens wanneer u vaststelt dat het vermogen van het gereedschap is afgenomen.
2. Laad een volledig opgeladen accu nooit opnieuw op. Als u de accu te veel oplaadt, zal hij minder lang meegaan.
3. Laad de accu op bij een kamertemperatuur tussen 10°C en 40°C. Laat een warme accu afkoelen alvorens hem op te laden.
4. Laad de accu zeker elk half jaar een keer op, ook als u deze geruime tijd lang niet gebruikt.

BESCHRIJVING VAN DE FUNCTIES

LET OP:

- Zorg altijd dat het gereedschap is uitgeschakeld en de accu ervan is verwijderd alvorens de functies op het gereedschap af te stellen of te controleren.

Installeren of verwijderen van de accu (Fig. 1)

- Schakel het gereedschap altijd uit alvorens de accu te installeren of te verwijderen.
- Om de accu uit het gereedschap te halen, verschuift u de knop op de voorkant van de accu en trekt u de accu eraf.
- Om de accu te installeren, doet u de tong op de accu overeenkomen met de groef in de behuizing en dan schuift u de accu erin. Schuif de accu zo ver mogelijk erin totdat deze op zijn plaats vastklikt. Als u de rode aanduiding boven de knop kunt zien, is ze niet volledig vergrendeld. Breng de accu dan steviger aan zodat de rode aanduiding niet meer zichtbaar is. Als u dit niet doet, kan de accu per ongeluk eruit vallen en uzelf of andere personen in uw omgeving verwonden.
- Probeer nooit om de accu met geweld te installeren. Als de accu er niet gemakkelijk ingaat, betekent dit dat u hem niet op de juiste wijze erin steekt.

Accubeveiligingssysteem (lithium-ionenaccu met een stermarkering) (Fig. 2)

Lithium-ionenaccu's met een stermarkering zijn voorzien van een beveiligingssysteem. Dat kan automatisch de stroomtoevoer afsluiten om de levensduur van de accu te verlengen.

Het gereedschap kan tijdens gebruik automatisch stoppen wanneer het gereedschap en/of de accu aan één van de volgende omstandigheden wordt blootgesteld:

- Overbelasting:
Als het gereedschap wordt gebruikt op een manier die een abnormaal hoge stroomsterkte vergt. In dat geval laat u de trekschakelaar van het gereedschap los en verhelpt u de oorzaak van de overbelasting. Vervolgens drukt u de trekschakelaar weer in om het gereedschap te herstarten. Als het gereedschap niet start, kan de accu oververhit zijn. In dat geval laat u de accu even afkoelen voordat u de trekschakelaar opnieuw indrukt.
- Onvoldoende accuspanning:
Als de resterende accuspanning onvoldoende is, zal het gereedschap niet starten. In dat geval verwijderd u de accu en laadt u die opnieuw op.

Werking van de trekschakelaar (Fig. 3)

LET OP:

- Alvorens de accu in het gereedschap te plaatsen, moet u altijd controleren of de trekschakelaar goed werkt en bij het loslaten naar de "OFF" positie terugkeert.

Om het gereedschap te starten, drukt u gewoon de trekschakelaar in. Hoe harder u de schakelaar indrukt, hoe sneller het gereedschap draait. Laat de schakelaar los om het gereedschap te stoppen.

LET OP:

- Zorg ervoor dat u het gereedschap stevig vasthoudt wanneer u het gereedschap uitschakelt.

De lampjes aanzetten (Fig. 4)

LET OP:

- Kijk niet direct in het lamplicht of in de lichtbron.

Druk de trekschakelaar in om de lamp aan te zetten. De lamp blijft branden zolang als u de trekschakelaar ingedrukt houdt. De lamp gaat automatisch uit 10 – 15 seconden na het loslaten van de trekschakelaar.

OPMERKING:

- Gebruik een droge doek om vuil op de lamp eraf te vegen. Pas op dat u geen krassen maakt op de lens, omdat de verlichtingssterkte daardoor kan verminderen.

Werking van de omkeerschakelaar (Fig. 5)

Dit gereedschap heeft een omkeerschakelaar voor het veranderen van de draairichting. Druk de omkeerschakelaar in vanaf zijde A voor rechtse draairichting, of vanaf zijde B voor linkse draairichting.

Wanneer de omkeerschakelaar in de neutrale stand staat, kan de trekschakelaar niet worden ingedrukt.

LET OP:

- Controleer altijd de draairichting alvorens het gereedschap te starten.
- Verander de stand van de omkeerschakelaar alleen nadat het gereedschap volledig tot stilstand is gekomen. Als u de draairichting verandert terwijl het gereedschap nog draait, kan het gereedschap beschadigd raken.
- Zet de omkeerschakelaar altijd in de neutrale stand wanneer u het gereedschap niet gebruikt.

INEENZETTEN

LET OP:

- Controleer altijd of het gereedschap is uitgeschakeld en de accu ervan is verwijderd alvorens enig werk aan het gereedschap uit te voeren.

Installeren van de zijhandgreep (hulphandgreep) (Fig. 6)

LET OP:

- Controleer altijd of de zijhandgreep goed vastgezet is vooraleer met het werk te beginnen.

Schroef de zijhandgreep stevig vast op het gereedschap. U kunt de zijhandgreep op een van beide zijden van het gereedschap installeren. Kies de zijde die gemakkelijkst is voor uw werk.

Installeren of verwijderen van een boor (Fig. 7)

Houdt het gereedschap weer stevig vast en draai de bus om naar links voor het openen van de spanklauwen. Steek vervolgens de boor zo ver mogelijk in de boorkop. Houdt daarna het gereedschap weer stevig vast en draai de bus om naar rechts voor het vastzetten van de boorkop.

Voor het verwijderen van de boor, het gereedschap vasthouden en de bus naar links omdraaien.

Haak (Fig. 8)

De haak is handig om het gereedschap tijdelijk op te hangen. De haak kan aan iedere zijkant van het gereedschap worden bevestigd.

Om de haak te bevestigen, steekt u deze in een gleuf op een zijkant en zet u hem vast met de schroef. Om de haak eraf te halen, draait u de schroef los en haalt u de haak eraf.

BEDIENING

LET OP:

- Houd het gereedschap tijdens het gebruik stevig vast met de ene hand op het grijpgedeelte van het gereedschap en de andere hand op de zijhandgreep. (Fig. 9)

Normaal boren

Boren in metaal

Wanneer u begint te boren, gebeurt het dikwijls dat de boor slijpt. Om dit te voorkomen slaat u van tevoren met een drevel een deukje in het metaal op de plaats waar u wilt boren. Plaats vervolgens de boor in het deukje en start het boren.

Gebruik altijd boorolie wanneer u in metaal boort. De enige uitzonderingen zijn ijzer en koper die "droog" geboord dienen te worden.

LET OP:

- Door teveel druk op het gereedschap uit te oefenen verloopt het boren niet sneller. Integendeel, teveel druk op het gereedschap zal alleen maar de boor beschadigen, de prestatie van het gereedschap verminderen en de gebruiksduur verkorten.
- Er ontstaan enorme spanningen op het ogenblik dat de boor uit het gaatje tevoorschijn komt. Houd derhalve het gereedschap stevig vast en wees op uw hoede.
- Wanneer de boor klemraakt, keert u met de omkeerschakelaar de draairichting om, om de boor uit het gaatje te krijgen. Het gereedschap kan echter plotseling terugspringen wanneer u het niet stevig vasthoudt.
- Kleine werkstukken dient u altijd eerst vast te zetten met een klemschroef of iets dergelijks.
- Indien het gereedschap ononderbroken wordt gebruikt totdat de accu is ontladen, dient u het gereedschap 15 minuten te laten rusten vooraleer met een nieuwe accu verder te werken.

ONDERHOUD

LET OP:

- Zorg altijd dat het gereedschap is uitgeschakeld en de accu ervan is verwijderd alvorens te beginnen met onderhoud of inspectie.
- Gebruik nooit benzine, wasbenzine, thinner, alcohol en dergelijke. Hierdoor zullen verkleuring, vervormingen en barsten worden veroorzaakt.

Om de VEILIGHEID en BETROUWBAARHEID van het product te handhaven, dienen alle reparaties en alle andere onderhoudswerkzaamheden of afstellingen te worden uitgevoerd door een erkend Makita Servicecentrum, en dat uitsluitend met gebruik van Makita vervangingsonderdelen.

OPTIONELE ACCESSOIRES

LET OP:

- Deze accessoires of hulpstukken worden aanbevolen voor gebruik met het Makita gereedschap dat in deze gebruiksaanwijzing is beschreven. Bij gebruik van andere accessoires of hulpstukken bestaat er gevaar voor persoonlijke verwonding. Gebruik de accessoires of hulpstukken uitsluitend voor hun bestemde doel.

Raadpleeg het dichtstbijzijnde Makita Servicecentrum voor verder advies of bijzonderheden omtrent deze accessoires.

- Boorbits
- Haak
- Plastic draagkist
- Verschillende types originele Makita accu's en acculaders

OPMERKING:

- Sommige van de onderdelen in deze lijst kunnen bijgeleverd zijn als standaard-accessoires. Deze accessoires kunnen per land verschillend zijn.

Alleen voor Europese landen

Geluidsniveau

De typisch, A-gewogen geluidsniveaus vastgesteld volgens EN60745:

Geluidsdrukniveau (L_{pA}): 73 dB (A)

Onnauwkeurigheid (K): 3 dB (A)

Tijdens het werken kan het geluidsniveau 80 dB (A) overschrijden.

Draag oorbeschermers.

ENG202-3

Trilling

De totaalwaarde van de trillingen (triaxiale vectorsom) vastgesteld volgens EN60745:

Toepassing: boren in metaal

Trillingsemisatie ($a_{h,D}$): 2,5 m/s² of lager

Onnauwkeurigheid (K): 1,5 m/s²

ENG901-1

- De opgegeven trillingsemisiewaarde is gemeten volgens de standaardtestmethode en kan worden gebruikt om dit gereedschap te vergelijken met andere gereedschappen.
- De opgegeven trillingsemisiewaarde kan ook worden gebruikt voor een beoordeling vooraf van de blootstelling.

WAARSCHUWING:

- De trillingsemisatie tijdens het gebruik van het elektrisch gereedschap in de praktijk kan verschillen van de opgegeven trillingsemisiewaarde afhankelijk van de manier waarop het gereedschap wordt gebruikt.
- Zorg ervoor dat veiligheidsmaatregelen worden getroffen ter bescherming van de operator die zijn gebaseerd op een schatting van de blootstelling onder praktijkomstandigheden (rekening houdend met alle fasen van de bedrijfscyclus, zoals de tijdsduur gedurende welke het gereedschap is uitgeschakeld en stationair draait, naast de ingeschakelde tijdsduur).

Alleen voor Europese landen

EU-Verklaring van Conformiteit

Wij, Makita Corporation, als de verantwoordelijke fabrikant, verklaren dat de volgende Makita-machine(s):

Aanduiding van de machine:

Haakse boormachine snoerloze

Modelnr./Type: DDA341, DDA351

in serie zijn geproduceerd en

Voldoen aan de volgende Europese richtlijnen:

2006/42/EC

En zijn gefabriceerd in overeenstemming met de volgende normen of genormaliseerde documenten:

EN60745

De technische documentatie wordt bewaard door onze erkende vertegenwoordiger in Europa, te weten:

Makita International Europe Ltd.

Michigan Drive, Tongwell,

Milton Keynes, Bucks MK15 8JD, Engeland

30.1.2009



Tomoyasu Kato
Directeur

Makita Corporation
3-11-8, Sumiyoshi-cho,
Anjo, Aichi, 446-8502, JAPAN

Explicación de los dibujos

1 Botón	5 Gatillo interruptor	9 Ranura
2 Indicador rojo	6 Lámpara	10 Gancho
3 Cartucho de batería	7 Interruptor de inversión	11 Tornillo
4 Marca de estrella	8 Manguito	

ESPECIFICACIONES

Modelo	DDA341	DDA351
Capacidades		
Acero	10 mm	10 mm
Madera	25 mm	25 mm
Velocidad en vacío (min ⁻¹)	0-1.700	0-1.800
Longitud total	326 mm	326 mm
Peso neto	1,7 kg	1,8 kg
Tensión nominal	CC 14,4 V	CC 18 V

- Debido a un programa continuo de investigación y desarrollo, las especificaciones aquí dadas están sujetas a cambios sin previo aviso.
- Las especificaciones y el cartucho de batería pueden diferir de país a país.
- Peso, con el cartucho de batería, de acuerdo con el procedimiento EPTA 01/2003

ENE032-1

Uso previsto

La herramienta ha sido prevista para taladrar en madera, metal y plástico.

GEA010-1

Advertencias de seguridad generales para herramientas eléctricas

⚠ ¡ADVERTENCIA! Lea todas las advertencias de seguridad y todas las instrucciones. Si no sigue todas las advertencias e instrucciones podrá ocasionar una descarga eléctrica, un incendio y/o heridas graves.

ENC007-7

Guarde todas las advertencias e instrucciones para futuras referencias.

GEB051-2

ADVERTENCIAS DE SEGURIDAD PARA EL TALADRO INALÁMBRICO

1. **Utilice el mango(s) auxiliar, si se suministra con la herramienta.** Una pérdida del control puede ocasionar heridas personales.
2. **Cuando realice una operación en la que el accesorio de corte pueda entrar en contacto con cableado oculto, sujete las herramientas eléctricas por las superficies de aislamiento aisladas.** El contacto del accesorio de corte con un cable con corriente hará que la corriente circule por las partes metálicas expuestas de la herramienta eléctrica y podrá soltar una descarga eléctrica al operario.
3. **Asegúrese siempre de pisar sobre suelo firme. Asegúrese de que no haya nadie debajo cuando utilice la herramienta en lugares altos.**
4. **Sujete firmemente la herramienta.**
5. **Mantenga las manos alejadas de las partes giratorias.**
6. **No deje la herramienta funcionando. Téngala en marcha solamente cuando esté es sus manos.**
7. **No toque la broca o la pieza de trabajo inmediatamente después de haber trabajado con ellas; podrían estar muy calientes y producirle quemaduras en la piel.**

8. **Algunos materiales contienen sustancias químicas que podrán ser tóxicas. Tenga precaución para evitar la inhalación de polvo y el contacto con la piel. Siga los datos de seguridad del abastecedor del material.**

GUARDE ESTAS INSTRUCCIONES.

ADVERTENCIA:

NO deje que la comodidad o familiaridad con el producto (a base de utilizarlo repetidamente) sustituya la estricta observancia de las normas de seguridad para el producto en cuestión. El MAL USO o el no seguir las normas de seguridad establecidas en este manual de instrucciones podrá ocasionar graves heridas personales.

INSTRUCCIONES DE SEGURIDAD IMPORTANTES

PARA EL CARTUCHO DE BATERÍA

1. **Antes de utilizar el cartucho de batería, lea todas las instrucciones e indicaciones de precaución sobre (1) el cargador de baterías, (2) la batería, y (3) el producto con el que se utiliza la batería.**
 2. **No desarme el cartucho de batería.**
 3. **Si el tiempo de uso del cartucho de batería se acorta demasiado, deje de usarlo inmediatamente. Podría resultar en un riesgo de recalentamiento, posibles quemaduras e incluso una explosión.**
 4. **Si entra electrólito en sus ojos, aclárelos con agua limpia y vea a un médico inmediatamente. Existe el riesgo de poder perder la vista.**
 5. **No cortocircuite el cartucho de batería:**
 - (1) **No toque los terminales con ningún material conductor.**
 - (2) **Evite guardar el cartucho de batería en un cajón junto con otros objetos metálicos, tales como clavos, monedas, etc.**
 - (3) **No exponga el cartucho de batería al agua ni a la lluvia.**
- Un cortocircuito en la batería puede producir una gran circulación de corriente, un recalentamiento, posibles quemaduras e incluso una rotura de la misma.**

6. No guarde la herramienta ni el cartucho de batería en lugares donde la temperatura pueda alcanzar o exceder los 50°C.
7. Nunca incinere el cartucho de batería incluso en el caso de que esté dañado seriamente o ya no sirva en absoluto.
El cartucho de batería puede explotar si se tira al fuego.
8. Tenga cuidado de no dejar caer ni golpear el cartucho de batería.
9. No utilice una batería dañada.

GUARDE ESTAS INSTRUCCIONES.

Consejos para alargar al máximo la vida de servicio de la batería

1. Cargue el cartucho de batería antes de que se descargue completamente.
Pare siempre la operación y cargue el cartucho de batería cuando note menos potencia en la herramienta.
2. No cargue nunca un cartucho de batería que esté completamente cargado.
La sobrecarga acortará la vida de servicio de la batería.
3. Cargue el cartucho de batería a temperatura ambiente de 10°C – 40°C. Si un cartucho de batería está caliente, déjelo enfriar antes de cargarlo.
4. Cargue el cartucho de batería una vez cada seis meses si no lo utiliza durante un periodo de tiempo prolongado.

DESCRIPCIÓN DEL FUNCIONAMIENTO

PRECAUCIÓN:

- Asegúrese siempre de que la herramienta esté apagada y el cartucho de batería extraído antes de realizar cualquier ajuste o comprobación en la herramienta.

Instalación o desmontaje del cartucho de batería (Fig. 1)

- Apague siempre la herramienta antes de instalar o extraer el cartucho de batería.
- Para extraer el cartucho de batería, deslícelo de la herramienta a la vez que desliza el botón de la parte frontal del cartucho.
- Para instalar el cartucho de batería, alinee la lengüeta del cartucho de batería con la acanaladura del alojamiento y deslícelo hasta encajarlo en su sitio. Insértelo siempre a tope hasta que quede bloqueado en su sitio produciendo un chasquido. Si puede ver el indicador rojo en el lado superior del botón, no estará bloqueado completamente. Instálelo completamente hasta que no pueda verse el indicador rojo. De lo contrario, podrá caerse de la herramienta accidentalmente, pudiendo ocasionarle heridas a usted o a alguien cerca de usted.
- No emplee fuerza cuando instale el cartucho de batería. Si el cartucho no se desliza al interior fácilmente, será porque no está siendo insertado correctamente.

Sistema de protección de la batería (Batería de litio-ión con marca de estrella) (Fig. 2)

Las baterías de litio-ión con marca de estrella están equipadas con un sistema de protección. Este sistema corta automáticamente la alimentación de la herramienta para alargar la vida útil de la batería.

La herramienta se detendrá automáticamente durante la operación si la herramienta y/o la batería son puestas en una de las condiciones siguientes:

- Sobrecargada:
La herramienta es utilizada de una manera que da lugar a que tenga que absorber una corriente anormalmente alta.
En esta situación, suelte el gatillo interruptor de la herramienta y detenga la tarea que ocasiona la sobrecarga de la herramienta. Después apriete el gatillo interruptor otra vez para volver a ponerla en marcha.
Si la herramienta no se pone en marcha, la batería estará recalentada. En esta situación, deje que la batería se enfríe antes de apretar el gatillo interruptor otra vez.
- Tensión baja en la batería:
La capacidad de batería restante es muy baja y la herramienta no funcionará. En esta situación, extraiga la batería y vuelva a cargarla.

Accionamiento del interruptor (Fig. 3)

PRECAUCIÓN:

- Antes de insertar el cartucho de batería en la herramienta, compruebe siempre para cerciorarse de que el gatillo interruptor se acciona debidamente y que vuelve a la posición "OFF" cuando lo suelta.

Para poner en marcha la herramienta, simplemente apriete el gatillo interruptor. La velocidad de la herramienta aumenta incrementando la presión en el gatillo interruptor. Suelte el gatillo interruptor para parar.

PRECAUCIÓN:

- Asegúrese de sujetar la herramienta firmemente antes de apagarla.

Iluminación de la lámpara delantera (Fig. 4)

PRECAUCIÓN:

- No mire a la luz ni vea la fuente de luz directamente.

Apriete el gatillo interruptor para encender la lámpara. La lámpara se mantendrá encendida mientras esté apretado el gatillo interruptor. La luz se apagará automáticamente 10 – 15 segundos después de soltar el gatillo interruptor.

NOTA:

- Utilice un paño seco para quitar la suciedad de la lente de la lámpara. Tenga cuidado de no rayar la lente de la lámpara, porque podrá disminuir la iluminación.

Accionamiento del interruptor de inversión (Fig. 5)

Esta herramienta tiene un interruptor de inversión para cambiar la dirección de giro. Presione hacia dentro la palanca del interruptor de inversión del lado A para giro hacia la derecha o del lado B para giro hacia la izquierda. Cuando la palanca del interruptor de inversión esté en la posición neutral, no se podrá apretar el gatillo interruptor.

PRECAUCIÓN:

- Confirme siempre la dirección de giro antes de la operación.
- Utilice el interruptor de inversión solamente después de que la herramienta se haya parado completamente. Si cambia la dirección de giro antes de que la herramienta se haya parado podrá dañarla.
- Cuando no esté utilizando la herramienta, ponga siempre la palanca del interruptor de inversión en la posición neutral.

MONTAJE

PRECAUCIÓN:

- Asegúrese siempre de que la herramienta esté apagada y el cartucho de batería extraído antes de realizar cualquier trabajo en la herramienta.

Instalación de la empuñadura lateral (Mango auxiliar) (Fig. 6)

PRECAUCIÓN:

- Asegúrese siempre de que la empuñadura lateral esté instalada firmemente antes de la operación.

Rosque firmemente la empuñadura lateral en la herramienta. La empuñadura lateral puede instalarse en ambos lados de la herramienta. Instálela en el que le resulte más conveniente.

Instalación o extracción de la broca perforadora (Fig. 7)

Sostenga firmemente la herramienta y gire el manguito hacia la izquierda para abrir las garras del portabrocas. Ponga la broca en el portabrocas a fondo. Sostenga firmemente la herramienta y gire el manguito hacia la derecha para apretar el portabrocas.

Para extraer la broca, sostenga firmemente la herramienta y gire el manguito hacia la izquierda.

Gancho (Fig. 8)

El gancho resulta útil para colgar temporalmente la herramienta. Se puede instalar en cualquiera de los lados de la herramienta.

Para instalar el gancho, insértelo en una ranura de cualquiera de los costados de la carcasa de la herramienta y después sujételo con un tornillo. Para quitarlo, afloje el tornillo y después sáquelo.

OPERACIÓN

PRECAUCIÓN:

- Sujete la herramienta firmemente con una mano en la parte de asimiento de la herramienta y con la otra mano en la empuñadura lateral cuando trabaje con la herramienta. (Fig. 9)

Perforado

Perforación en metal

Para evitar que la broca resbale cuando se está empezando un orificio, haga una marca con un punzón y un martillo en el punto en el que se desea hacer la perforación. Coloque la punta de la broca en la marca y empiece la perforación.

Cuando se perforen metales utilice un lubricante para cortes. Las excepciones son el hierro y el latón los cuales deben perforarse en seco.

PRECAUCIÓN:

- El presionar excesivamente la herramienta no acelerará la perforación. De hecho, si se ejerce una presión excesiva sólo servirá para dañar la punta de la broca, disminuir el rendimiento de la herramienta y acortar la vida de servicio de la herramienta.
- En el momento de atravesar el orificio se ejerce una tremenda fuerza en la herramienta/broca. Sostenga la herramienta firmemente y tenga cuidado cuando la broca empiece a atravesar la pieza de trabajo.
- Una broca que haya quedado agarrotada se puede extraer ajustando el interruptor de inversión en la posición de giro en el sentido inverso. Sin embargo, la herramienta puede efectuar esta operación bruscamente en el caso de que no se sostenga la herramienta firmemente.
- Sostenga siempre las piezas de trabajo que sean pequeñas en un torno o en un dispositivo de sujeción similar.
- Si hace funcionar la herramienta continuamente hasta que se descargue el cartucho de batería, deje que la herramienta descanse durante 15 minutos antes de continuar con una batería fresca.

MANTENIMIENTO

PRECAUCIÓN:

- Asegúrese siempre de que la herramienta esté apagada y el cartucho de batería extraído antes de intentar realizar una inspección o mantenimiento.
- No utilice nunca gasolina, bencina, disolvente, alcohol o similares. Podría producir descolocación, deformación o grietas.

Para mantener la SEGURIDAD y la FIABILIDAD del producto, las reparaciones y cualquier otro mantenimiento o ajuste deberán ser realizados por los centros de servicio autorizado de Makita, siempre con piezas de repuesto de Makita.

PRECAUCIÓN:

- Estos accesorios o aditamentos están recomendados para su uso con la herramienta Makita especificada en este manual. El uso de cualquier otro accesorio o aditamento puede suponer un riesgo de lesiones personales. Utilice el accesorio o aditamento exclusivamente para su uso declarado.

Si necesita información más detallada sobre estos accesorios, consulte con su centro local de servicio de Makita.

- Brocas
- Gancho
- Maletín de transporte de plástico
- Diferentes tipos de baterías y cargadores genuinos de Makita

NOTA:

- Algunos elementos de la lista podrán estar incluidos en el paquete de la herramienta como accesorios estándar. Pueden variar de un país a otro.

ENG104-1

Para países europeos solamente

Ruido

El nivel de ruido A-ponderado típico determinado de acuerdo con la norma EN60745:

Nivel de presión sonora (L_{pA}): 73 dB (A)

Error (K): 3 dB (A)

El nivel de ruido en condiciones de trabajo puede que sobrepase los 80 dB (A).

Póngase protectores en los oídos.

ENG202-3

Vibración

El valor total de la vibración (suma de vectores triaxiales) determinado de acuerdo con la norma EN60745:

Modo tarea: taladrado en metal

Emisión de vibración ($a_{h,D}$): 2,5 m/s² o menos

Error (K): 1,5 m/s²

ENG901-1

- El valor de emisión de vibración declarado ha sido medido de acuerdo con el método de prueba estándar y se puede utilizar para comparar una herramienta con otra.
- El valor de emisión de vibración declarado también se puede utilizar en una valoración preliminar de exposición.

ADVERTENCIA:

- La emisión de vibración durante la utilización real de la herramienta eléctrica puede variar del valor de emisión declarado dependiendo de las formas en las que la herramienta sea utilizada.
- Asegúrese de identificar medidas de seguridad para proteger al operario que estén basadas en una estimación de la exposición en las condiciones reales de utilización (teniendo en cuenta todas las partes del ciclo operativo tal como las veces cuando la herramienta está apagada y cuando está funcionando en vacío además del tiempo de gatillo).

Para países europeos solamente

Declaración de conformidad CE

Makita Corporation como fabricante responsable declara que la(s) siguiente(s) máquina(s) de Makita:

Designación de máquina: Taladro en ángulo sin cable

Modelo N°/Tipo: DDA341, DDA351

son producidas en serie y

Cumplen con las directivas europeas siguientes:

2006/42/EC

Y que están fabricadas de acuerdo con las normas o documentos normalizados siguientes:

EN60745

Los documentos técnicos los guarda nuestro representante autorizado en Europa cuya persona es:

Makita International Europe Ltd.

Michigan Drive, Tongwell,

Milton Keynes, Bucks MK15 8JD, Inglaterra

30.1.2009



Tomoyasu Kato
Director

Makita Corporation
3-11-8, Sumiyoshi-cho,
Anjo, Aichi, 446-8502, JAPAN

Explicação geral

1 Botão	5 Gatilho do interruptor	9 Ranhura
2 Indicador vermelho	6 Lâmpada	10 Gancho
3 Bateria	7 Comutador de inversão	11 Parafuso
4 Marca de estrela	8 Aro	

ESPECIFICAÇÕES

Modelo	DDA341	DDA351
Capacidades		
Aço	10 mm	10 mm
Madeira	25 mm	25 mm
Velocidade em vazio (min ⁻¹)	0 – 1.700	0 – 1.800
Comprimento total	326 mm	326 mm
Peso líquido	1,7 kg	1,8 kg
Voltagem nominal	14,4 V C.C.	18 V C.C.

- Devido a um programa contínuo de pesquisa e desenvolvimento, estas especificações podem ser alteradas sem aviso prévio.
- As especificações e a bateria podem diferir de país para país.
- Peso, com a bateria, de acordo com o Procedimento 01/2003 da EPTA (European Power Tool Association)

ENE032-1

Utilização planeada

A ferramenta foi concebida para perfuração em madeira, metal e plástico.

GEA010-1

Avisos gerais de segurança para ferramentas eléctricas

⚠ AVISO! Leia todos os avisos de segurança e todas as instruções. O não cumprimento de todos os avisos e instruções pode originar choque eléctrico, incêndio e/ou ferimentos graves.

Guarde todos os avisos e instruções para futuras referências.

GEB051-2

AVISOS DE SEGURANÇA PARA O APARAFUSADOR A BATERIA

1. Utilize a(s) pega(s) auxiliar(es), se fornecida(s) com a ferramenta. A perda de controlo pode causar danos pessoais.
2. Agarre na ferramenta eléctrica pelos punhos isolados ao realizar uma operação onde o acessório de corte possa tocar em fios eléctricos escondidos. O contacto do acessório de corte com um fio "ligado" poderá carregar as partes metálicas da ferramenta e causar choque eléctrico no operador.
3. Certifique-se sempre de que se mantém equilibrado. Certifique-se de que ninguém está por baixo quando trabalhar em locais altos.
4. Segure na ferramenta firmemente.
5. Mantenha as mãos afastadas das partes rotativas.
6. Não deixe a ferramenta a funcionar. Funcione com a ferramenta só quando estiver a agarrá-la.

7. Não toque na broca ou na peça de trabalho imediatamente depois da operação; podem estar extremamente quentes e pode queimar-se.
8. Alguns materiais contêm químicos que podem ser tóxicos. Tenha cuidado para evitar inalação de pó e contacto com a pele. Cumpra os dados de segurança do fornecedor do material.

GUARDE ESTAS INSTRUÇÕES.**AVISO:**

NÃO permita que conforto ou familiaridade com o produto (adquirido com o uso repetido) substitua a aderência estrita às regras de segurança da ferramenta. MÁ INTERPRETAÇÃO ou não seguimento das regras de segurança estabelecidas neste manual de instruções pode causar danos pessoais sérios.

ENC007-7

IMPORTANTES INSTRUÇÕES DE SEGURANÇA**PARA A BATERIA**

1. Antes de utilizar a bateria, leia todas as instruções e etiquetas de precaução no (1) carregador de bateria (2) bateria e (3) produto que utiliza a bateria.
2. Não abra a bateria.
3. Se o tempo de funcionamento se tornar excessivamente curto, pare o funcionamento imediatamente. Pode resultar em sobreaquecimento, possíveis queimaduras e mesmo explosão.
4. Se entrar electrolito nos seus olhos, lave-os com água e consulte imediatamente um médico. Pode resultar em perda de visão.
5. Não corte-circuite a bateria:
 - (1) Não toque nos terminais com qualquer material condutor.
 - (2) Evite guardar a bateria juntamente com outros objectos metálicos tais como pregos, moedas, etc.
 - (3) Não exponha a bateria à água ou chuva. Um curto-circuito pode ocasionar um enorme fluxo de corrente, sobreaquecimento, possíveis queimaduras e mesmo estragar-se.

6. Não guarde a ferramenta e a bateria em locais onde a temperatura pode atingir ou exceder 50°C.
7. Não queime a bateria mesmo que esteja estragada ou completamente gasta. A bateria pode explodir no fogo.
8. Tenha cuidado para não deixar cair ou dar pancadas na bateria.
9. Não utilize uma bateria danificada.

GUARDE ESTAS INSTRUÇÕES.

Conselhos para manter a máxima vida útil da bateria

1. Carregue a bateria antes que esteja completamente descarregada.
Pare sempre o funcionamento da ferramenta e carregue a bateria quando notar menos poder na ferramenta.
2. Nunca carregue uma bateria completamente carregada. Carregamento excessivo diminui a vida útil da bateria.
3. Carregue a bateria à temperatura ambiente de 10°C – 40°C. Deixe que uma bateria quente arrefeça antes de a carregar.
4. Carregue a bateria uma vez a cada seis meses se não for utilizá-la por um longo período de tempo.

DESCRIÇÃO FUNCIONAL

PRECAUÇÃO:

- Certifique-se sempre de que a ferramenta está desligada e a bateria retirada antes de regular ou verificar qualquer função na ferramenta.

Instalar ou retirar a bateria (Fig. 1)

- Desligue sempre a ferramenta antes de instalar ou retirar a bateria.
- Para retirar a bateria, deslize-a da ferramenta deslizando o botão na parte da frente da bateria.
- Para instalar a bateria, alinhe a lingueta na bateria com a ranhura na caixa e deslize-a para o seu lugar. Coloque-a sempre completamente até que faça um clique no seu lugar. Se conseguir ver o indicador vermelho no lado superior do botão, não está completamente colocada. Instale-a completamente até que não possa ver o indicador vermelho. Se assim não for, pode acidentalmente cair da ferramenta ferindo-o a si ou alguém próximo.
- Não utilize força quando instala a bateria. Se a bateria não deslizar facilmente é porque não foi colocada correctamente.

Sistema de protecção da bateria (Bateria de íon lítio com a marca de estrela) (Fig. 2)

As baterias de íon lítio com a marca de estrela são equipadas com um sistema de protecção. O sistema desliga a ferramenta automaticamente para prolongar a vida útil da bateria.

A ferramenta para automaticamente durante o funcionamento se a mesma e/ou bateria se encontrar em uma das seguintes circunstâncias.

- Sobrecarga:
A ferramenta funcionou de maneira que puxa corrente elevada demais.
Nesse caso, liberte o gatilho do interruptor da ferramenta para parar a operação que provocou a sobrecarga da ferramenta. A seguir, carregue no gatilho do interruptor outra vez para ligar.
Se a ferramenta não ligar, a bateria está superaquecida. Nesse caso, aguarde até a bateria arrefecer antes de carregar no gatilho do interruptor outra vez.
- Baixa tensão da bateria:
A carga restante da bateria está baixa demais e a ferramenta não funciona. Nesse caso, retire a bateria e recarregue-a.

Acção do interruptor (Fig. 3)

PRECAUÇÃO:

- Antes de colocar a bateria na ferramenta, verifique que o gatilho do interruptor funciona correctamente e volta para a posição "OFF" quando libertado.

Para iniciar a ferramenta, carregue simplesmente no gatilho do interruptor. A velocidade da ferramenta aumenta quando aumenta a pressão no gatilho do interruptor. Liberte o gatilho do interruptor para parar.

PRECAUÇÃO:

- Certifique-se de segurar a ferramenta com firmeza antes de a desligar.

Acender a lâmpada da frente (Fig. 4)

PRECAUÇÃO:

- Não olhe para a luz ou para a fonte de iluminação directamente.

Puxe o gatilho do interruptor para fazer acender a lâmpada. A lâmpada mantém-se acesa enquanto estiver a carregar no gatilho do interruptor.

A luz apaga-se automaticamente 10 – 15 segundos depois de soltar o gatilho do interruptor.

NOTA:

- Utilize um pano seco para limpar a sujidade das lentes da lâmpada. Tenha cuidado para não riscar as lentes da lâmpada ou pode diminuir a iluminação.

Acção do comutador de inversão (Fig. 5)

Esta ferramenta tem um comutador de inversão para mudar a direcção de rotação. Pressione a alavanca do comutador de inversão no lado A para rotação para a direita e no lado B para rotação para a esquerda.

Quando a alavanca do comutador de inversão está na posição neutra, não pode carregar no gatilho do interruptor.

PRECAUÇÃO:

- Verifique sempre a direcção de rotação antes da operação.
- Só utilize o comutador de inversão depois da ferramenta estar completamente parada. Mudar a direcção de rotação antes da ferramenta parar pode estragar a ferramenta.
- Quando não funciona com a ferramenta, coloque sempre a alavanca do comutador de inversão na posição neutra.

ASSEMBLAGEM

PRECAUÇÃO:

- Certifique-se sempre de que a ferramenta está desligada e a bateria retirada antes de executar qualquer manutenção na ferramenta.

Instalar a pega lateral (pega auxiliar) (Fig. 6)

PRECAUÇÃO:

- Antes de utilizar a ferramenta, verifique sempre se fixou bem a pega.

Aparafuse a pega lateral à ferramenta. Sempre que conveniente pode instalar a pega lateral no outro lado da ferramenta.

Colocação ou extracção da broca (Fig. 7)

Segure bem a ferramenta e rode o aro para a esquerda até abrir as garras do porta-brocas. Introduza a broca até ao fundo do porta-brocas. Segure bem a ferramenta e rode o aro para a direita, apertando o porta-brocas.

Para retirar a broca, segure bem a ferramenta e rode o aro para a esquerda.

Gancho (Fig. 8)

O gancho é conveniente para pendurar temporariamente a ferramenta. Pode ser instalado em qualquer dos lados da ferramenta.

Para instalar o gancho, coloque-o na ranhura no corpo da ferramenta em qualquer um dos lados e prenda-o com o parafuso. Para remover, simplesmente desaperte o parafuso e retire-o.

OPERAÇÃO

PRECAUÇÃO:

- Quando utilizar a ferramenta, agarre-a firmemente colocando uma mão na parte agarrar para o efeito e com a outra mão na pega lateral. (Fig. 9)

Operação de perfuração

Perfuração em metal

Para evitar que a broca resvale quando iniciar a perfuração, faça uma marca com um punção e um martelo no ponto onde desejar perfurar. Coloque a ponta da broca na marca e inicie a perfuração.

Utilize uma lubrificante de corte quando perfurar metais, excepto ferro e latão que devem ser perfurados a seco.

PRECAUÇÃO:

- Não acelerará a perfuração se exercer demasiada pressão na ferramenta. Se o fizer poderá danificar a ponta da broca, diminuir o seu rendimento e encurtar o tempo de vida útil da ferramenta.
- No momento de atravessar o orifício exercer-se-á uma enorme força na ferramenta/broca. Segure a ferramenta com firmeza e tenha cuidado quando a broca começar a atravessar a superfície de trabalho.
- Para extrair uma broca que tenha ficado presa, coloque o comutador de inversão na posição de rotação em sentido inverso. No entanto, se não estiver a segurá-la bem, a ferramenta poderá transmitir uma reacção brusca.
- Se perfurar superfícies pequenas, segure-as sempre com um torno ou dispositivo similar.
- Se a ferramenta funcionar continuamente até que a bateria fique descarregada, deixe-a descansar durante 15 minutos antes de continuar com uma bateria carregada.

MANUTENÇÃO

PRECAUÇÃO:

- Certifique-se sempre de que a ferramenta está desligada e a bateria retirada antes de tentar executar qualquer inspecção ou manutenção.
- Nunca utilize gasolina, benzina, diluente, álcool ou produtos semelhantes. Pode ocorrer a descoloração, deformação ou rachaduras.

Para manter a SEGURANÇA e FIABILIDADE, as reparações e outras acções de manutenção ou ajustes devem ser executados pelos Centros de assistência autorizados da Makita, utilizando sempre peças de substituição Makita.

ACESSÓRIOS OPCIONAIS

PRECAUÇÃO:

- Estes acessórios ou peças são recomendados para utilização com a ferramenta Makita especificada neste manual. A utilização de outros acessórios ou peças pode ser perigosa para as pessoas. Utilize apenas acessórios ou peças para os fins indicados.

Se precisar de ajuda para obter mais informações relativas a estes acessórios, entre em contacto com o centro de assistência Makita local.

- Brocas de perfurar
- Gancho
- Caixa de plástico para transporte
- Vários tipos de baterias genuínas da Makita e carregadores

NOTA:

- Alguns itens da lista podem estar incluídos na embalagem da ferramenta como acessórios padrão. Eles podem variar de país para país.

Só para países Europeus

Ruído

A característica do nível de ruído A determinado de acordo com EN60745:

Nível de pressão de som (L_{pA}): 73 dB (A)

Variabilidade (K): 3 dB (A)

O nível de ruído durante o trabalho pode exceder 80 dB (A).

Utilize protectores para os ouvidos.

ENG202-3

Vibração

O valor total da vibração (soma vectorial tri-axial) determinado de acordo com EN60745:

Modo de funcionamento: perfuração em metal

Emissão de vibração ($a_{h,D}$): 2,5 m/s² ou inferior

Variabilidade (K): 1,5 m/s²

ENG901-1

- O valor da emissão de vibração indicado foi medido de acordo com o método de teste padrão e pode ser utilizado para comparar duas ferramentas.
- O valor da emissão de vibração indicado pode também ser utilizado na avaliação preliminar da exposição.

AVISO:

- A emissão de vibração durante a utilização real da ferramenta eléctrica pode diferir do valor de emissão indicado, dependendo das formas como a ferramenta é utilizada.
- Certifique-se de identificar as medidas de segurança para protecção do operador que sejam baseadas em uma estimativa de exposição em condições reais de utilização (considerando todas as partes do ciclo de operação, tal como quando a ferramenta está desligada e quando está a funcionar em marcha lenta além do tempo de accionamento).

Só para países Europeus

Declaração de conformidade CE

Nós, a Makita Corporation, fabricante responsável, declaramos que a(s) seguinte(s) ferramenta(s) Makita:

Designação da ferramenta: Berbequim angular a bateria

Modelos n.º/Tipo: DDA341, DDA351

são de produção de série e

Em conformidade com as seguintes directivas europeias:

2006/42/EC

E estão fabricados de acordo com as seguintes normas ou documentos normativos:

EN60745

A documentação técnica é mantida pelo nosso representante autorizado na Europa:

Makita International Europe Ltd.

Michigan Drive, Tongwell,

Milton Keynes, Bucks MK15 8JD, Inglaterra

30.1.2009



Tomoyasu Kato
Director

Makita Corporation
3-11-8, Sumiyoshi-cho,
Anjo, Aichi, 446-8502, JAPAN

Illustrationsoversigt

1 Knap	5 Afbryderknap	9 Rille
2 Rød indikator	6 Lampe	10 Krog
3 Akku	7 Omdrejningsvælger	11 Skruer
4 Stjernemærke	8 Omløber	

SPECIFIKATIONER

Model	DDA341	DDA351
Kapacitet		
Stål	10 mm	10 mm
Træ	25 mm	25 mm
Omdrejninger (min ⁻¹)	0–1 700	0–1 800
Længde	326 mm	326 mm
Vægt	1,7 kg	1,8 kg
Spænding	DC 14,4 V	DC 18 V

- På grund af vores kontinuerlige forskningsprogrammer og udvikling, kan hosstående specifikationer blive ændret uden varsel.
- Specifikationer og akku kan variere fra land til land.
- Vægt inklusive akku, i henhold til EPTA-Procedure 01/2003

ENE032-1

Brugsformål

Denne maskine er beregnet til boring af skruer i træ, metal og plastic.

GEA010-1

Almindelige sikkerhedsregler for el-værktøj

⚠ ADVARSEL! Læs alle sikkerhedsadvarsler og alle sikkerhedsinstruktioner. Hvis nedenstående advarsler og instruktioner ikke overholdes, kan resultatet blive elektrisk stød, brand og/eller alvorlig personskade.

Gem alle advarsler og instruktioner til fremtidig reference.

GEB051-2

SIKKERHEDSFORSKRIFTER FOR AKKU BOREMASKINE

1. Anvend hjælpehåndtag, hvis det (de) følger med maskinen. Personskade kan blive resultatet, hvis De mister herredømmet over maskinen.
2. Hold altid et el-værktøj i dets isolerede håndtagsflader, når du udfører et arbejde, hvor skæreværktøjet kan komme i berøring med skjulte ledninger. Hvis skæreværktøjet kommer i berøring med en strømførende ("live") ledning, kan el-værktøjets udsatte metaldele blive strømførende og give operatøren stød.
3. Sørg for, at De altid har sikkert fodfæste. Ved brug af maskinen i større højde bør De sikre Dem, at der ikke står personer nedenunder arbejdsområdet.
4. Hold maskinen med begge hænder.
5. Hold håndtaget på god afstand af roterende dele.
6. Læg ikke maskinen fra Dem, mens den stadig kører. Maskinen må kun køre, når den holdes med begge hænder.
7. Rør ikke ved bor, skruebit eller emnet lige når arbejdet er afsluttet. Delene kan være ekstremt varme og forårsage forbrændinger.

8. En del materialer indeholder kemikalier, som kan være giftige. Sørg for at forhindre inhalering af støv og kontakt med huden. Følg fabrikantens sikkerhedsforskrifter.

GEM DISSE FORSKRIFTER.

ADVARSEL:

LAD IKKE bekvemmelighed eller kendskab til produktet (opnået gennem gentagen brug) forhindre, at sikkerhedsforskrifterne for produktet nøje overholdes. MISBRUG eller forsømmelse af at følge de i denne brugsvejledning givne sikkerhedsforskrifter kan føre til, at De kommer alvorligt til skade.

ENCC007-7

VIGTIGE SIKKERHEDSFORSKRIFTER

FOR AKKU

1. Læs alle instruktioner og advarselmærkater på (1) akku opladeren, (2) akku og (3) produktet, som anvender akku.
2. Lad være med at skille akkuen ad.
3. Hold straks op med at anvende opladeren, hvis brugstiden er blevet stærkt afkortet. Fortsat anvendelse kan resultere i risiko for overophedning, forbrændinger og endog eksplosion.
4. Hvis du har fået elektrolytvæske i øjnene, skal du straks skylle den ud med rent vand og derefter øjeblikkeligt søge lægehjælp. I modsat fald kan resultatet blive, at du mister synet.
5. Vær påpasselig med ikke at komme til at kortslutte akkuen:
 - (1) Rør ikke ved terminalerne med noget ledende materiale.
 - (2) Undgå at opbevare akkuen i en beholder sammen med andre genstande af metal, som for eksempel søm, mønter og lignende.
 - (3) Udsæt ikke akkuen for vand eller regn. Kortslutning af akkuen kan være årsag til en kraftig øgning af strømmen, overophedning, mulige forbrændinger og endog maskinstop.
6. Opbevar ikke værktøj og akkuen på et sted, hvor temperaturen kan nå eller overstige 50°C.

- Lad være med at brænde akkuen, selv ikke i tilfælde, hvor det har lidt alvorlig skade eller er fuldstændig udtjent. Akkuen kan eksplodere, hvis man forsøger at brænde den.
- Lad være med at brænde akkuen eller udsætte det for stød.
- Anvend ikke en beskadiget akku.

GEM DENNE BRUGSANVISNING.

Tips til opnåelse af maksimal akku-levetid

- Oplad altid akkuen, inden den er helt afladet. Stop altid værktøj og oplad akkuen, hvis det bemærkes, at maskineffekten er dalende.
- Genoplad aldrig en fuldt opladet akku. Overopladning vil afkorte akkuens levetid.
- Oplad akkuen ved stuetemperatur ved 10°C – 40°C. Lad altid en varm akku få tid til at køle af, inden den oplades.
- Oplad akkuen en gang hver sjette måned, hvis den ikke anvendes i et længere tidsrum.

FUNKTIONSBESKRIVELSE

FORSIGTIG:

- Sørg altid for at maskinen er slukket, og at akkuen er taget ud, før der udføres justering eller kontrol af funktioner på maskinen.

Isætning og udtagning af akku (Fig. 1)

- Sluk altid for maskinen, før akkuen installeres eller tages ud.
- Akkuen fjernes ved at man skyder den ud af maskinen, mens man skyder knappen foran på akkuen i stilling.
- Installer akkuen ved at rette dens tunge ind efter rillen i huset. Skyd derefter akkuen helt ind, til den låser på plads med et lille klik. Hvis den røde indikator kan ses på den øverste side af knappen, er den ikke helt låst. Monter den således, at den røde indikator ikke kan ses. Hvis akkuen ikke sættes i på denne måde, kan den ved et uheld falde ud af maskinen, og eventuelt forvolde personskade på Dem selv eller andre.
- Brug aldrig magt, når akkuen installeres. Hvis ikke akkuen glider i uden besvær, er det fordi, at den vender forkert.

Akkus beskyttelsessystem (lithium-ion akku med et stjernemærke) (Fig. 2)

Lithium-ion akkuer med et stjernemærke er udstyret med et beskyttelsessystem. Dette system afbryder automatisk strømmen til maskinen, så akkuens levetid bliver længere.

Maskinen stopper automatisk under driften, hvis den og/eller akkuen kommer i en af følgende situationer:

- Overbelastet:
 - Maskinen anvendes på en måde, der bevirker, at den forbruger abnormt høj strøm.
 - Slip i denne situation afbryderknappen på maskinen og stop den anvendelse, der bevirkede, at maskinen blev overbelastet. Tryk derefter afbryderknappen ind igen for at starte igen.
 - Hvis maskinen ikke starter, er akkuen overophedet. Lad i dette tilfælde akkuen køle af, inden afbryderknappen trykkes ind igen.
- Lav akku-spænding:
 - Den tilbageværende akku-kapacitet er for lav, og maskinen vil ikke fungere. Fjern i denne situation akkuen fra maskinen og oplad den.

Afbryderbetjening (Fig. 3)

FORSIGTIG:

- Inden akkuen sættes i maskinen, bør De altid kontrollere, at afbryderknappen fungerer korrekt og returnerer til "OFF" positionen, når den slippes.

For at starte maskinen trykkes der blot på afbryderknappen. Maskinens hastighed øges ved at øge trykket på afbryderknappen. Slip afbryderknappen for at stoppe.

FORSIGTIG:

- Sørg for at holde godt fast i maskinen, inden den strøm-afbrydes.

Tænd af forlamperne (Fig. 4)

FORSIGTIG:

- Kig aldrig direkte på lyskilden. Lad ikke lyset falde i Deres øjne.

Tryk afbryderknappen ind for at tænde lampen. Lampen bliver ved med at lyse, så længe afbryderknappen holdes inde. Lyser slukker automatisk efter 10 – 15 sekunder, når afbryderknappen slippes.

BEMÆRK:

- Anvend en tør klud til at tørre snavs af lampens linse. Undgå at ridse lampens linse, da det kan nedsætte lysstyrken.

Omdrejningsvælgerbetjening (Fig. 5)

Denne maskine har en omdrejningsvælger til at skifte omløbsretning. Skub omdrejningsvælger ind fra A-siden for omdrejning med uret, og fra B-siden for omdrejning mod uret.

Når omdrejningsvælger er i neutral stilling, kan afbryderknappen ikke trykkes ind.

FORSIGTIG:

- Kontrollér altid omløbsretningen, inden arbejdet påbegyndes.
- Flyt kun omdrejningsvælger, når maskinen er helt standset. Hvis omløbsretningen ændres, inden maskinen er helt stoppet, kan det beskadige maskinen.
- Sæt altid omdrejningsvælger i neutral stilling, når maskinen ikke anvendes.

SAMLING

FORSIGTIG:

- Sørg altid for at maskinen er slukket, og at akkuen er taget ud, før der udføres noget arbejde på maskinen.

Montering af sidegreb (hjælpegreb) (Fig. 6)

FORSIGTIG:

- Kontrollér altid, at sidegrebet er installeret forsvarligt, inden maskinen anvendes.

Skrue sidegrebet sikkert på maskinen. Sidegrebet kan installeres på begge sider af maskinen, alt efter, hvad der er mest bekvemt.

Montering og afmontering af bor (Fig. 7)

Hold maskinen fast og drej omløberen mod uret for at åbne borepatronens kæber. Sæt værktøjet så langt ind i borepatronen som muligt. Hold maskinen fast og drej omløberen med uret for at spænde borepatronen.

For at afmontere værktøjet holdes maskinen fast og omløberen drejes mod uret.

Krog (Fig. 8)

Krogen er bekvem til midlertidig ophængning af maskinen. Den kan monteres på begge sider af maskinen.

Krogen monteres ved at man sætter den ind i rillen på maskinen på en af siderne og derefter fastgør den med en skrue. Krogen tages af ved at man løsner skruen og derefter tager den af.

ANVENDELSE

FORSIGTIG:

- Hold godt fast på maskinen med den ene hånd på maskinens gribeblade, og den anden hånd på sidegrebet, når maskinen anvendes. (Fig. 9)

Boring

Boring i metal

For at forhindre at værktøjet skrider, når der startes på et hul, bør der laves en fordybning med en kørne og en hammer på det sted, hvor hullet skal bores. Placér spidsen af værktøjet i fordybningen og start boringen.

Anvend en skæresmørelse, når der bores i metal. Undtaget er jern og messing, som skal bores tørre.

FORSIGTIG:

- Overdrevent tryk på maskinen vil ikke gøre boringen hurtigere. I virkeligheden vil det kun medvirke til at beskadige spidsen på værktøjet, og dermed forkorte værktøjets levetid.
- Værktøjet udsættes for en voldsom vridningspåvirkning, når der brydes igennem emnet. Hold maskinen godt fast, og udvis forsigtighed, når værktøjet begynder at bryde gennem emnet. Brug begge hænder til at holde kontrol over maskinen.
- Et værktøj, der har sat sig fast, kan nemt fjernes ved at sætte omdrejningvælgeren til modsat omdrejningsretning for at bakke ud. Værktøjet kan dog bakke ukontrollabelt ud, hvis der ikke holdes godt fast på maskinen.
- Mindre emner skal fastgøres forsvarligt i en skruestik eller lignende.
- Hvis maskinen anvendes lige indtil akkuen er opbrugt, bør maskinen hvile i 15 minutter før der fortsættes med en ny akku.

VEDLIGEHOLDELSE

FORSIGTIG:

- Sørg altid for at maskinen er slukket, og at akkuen er taget ud, før der udføres eftersyn eller vedligeholdelse på maskinen.
- Anvend aldrig benzin, rensebenzin, fortynder, alkohol og lignende. Resultatet kan blive misfarvning, deformation eller revner.

For at opretholde produktets SIKKERHED og PÅLIDELIGHED bør reparation, vedligeholdelse og justering kun udføres af et Makita Service Center med anvendelse af originale Makita udskiftningsdele.

EKSTRAUDSTYR

FORSIGTIG:

- Det følgende tilbehør og ekstraudstyr er anbefalet til brug med Deres Makita maskine, der er beskrevet i denne brugsanvisning. Anvendelse af andet tilbehør eller ekstraudstyr kan udgøre en risiko for personskade. Anvend kun tilbehør og ekstraudstyr til det beskrevne formål.

Hvis De har behov for yderligere detaljer om dette tilbehør, bedes De kontakte Deres lokale Makita Service Center.

- Borebits
- Krog
- Plastbæretasken
- Forskellige typer ægte batterier og opladere fra Makita

BEMÆRK:

- Nogle ting på denne liste kan være inkluderet i værktøjspakken som standardtilbehør. Det kan være forskellige fra land til land.

Kun for lande i Europa

Lyd

Det typiske A-vægtede støjniveau bestemt i overensstemmelse med EN60745:

Lydtryksniveau (L_{pA}): 73 dB (A)

Usikkerhed (K): 3 dB (A)

Støjniveauet under arbejde kan overstige 80 dB (A).

Bær høreværn.

ENG202-3

Vibration

Vibrations totalværdi (tre-aksial vektorsum) bestemt i overensstemmelse med EN60745:

Arbejdsindstilling: boring i metal

Vibrationsafgivelse ($a_{h,D}$): 2,5 m/s² eller mindre

Usikkerhed (K): 1,5 m/s²

ENG901-1

- Den angivne vibrationsemissionsværdi er blevet målt i overensstemmelse med standardtestmetoden og kan anvendes til at sammenligne en maskine med en anden.
- Den angivne vibrationsemissionsværdi kan også anvendes i en preliminær eksponeringsvurdering.

ADVARSEL:

- Vibrationsemissionen under den faktiske anvendelse af maskinen kan være forskellig fra den erklærede emissionsværdi, afhængigt af den måde, hvorpå maskinen anvendes.
- Sørg for at identificere de sikkerhedsforskrifter til beskyttelse af operatøren, som er baseret på en vurdering af eksponering under de faktiske brugsforhold (med hensyntagen til alle dele i brugscyklen, som f.eks. de gange, hvor maskinen er slukket og når den kører i tomgang i tilgift til afbrydertiden).

Kun for lande i Europa

EU-konformitetserklæring

Vi, Makita Corporation, erklærer, som den ansvarlige fabrikant, at den (de) følgende Makita maskine(r):

Maskinens betegnelse: Batteridrevet vinkelboremaskine

Model nr./Type: DDA341, DDA351

er af serieproduktion og

opfylder betingelserne i de følgende EU-direktiver:

2006/42/EC

og er fremstillet i overensstemmelse med de følgende standarder eller standardiserede dokumenter:

EN60745

Den tekniske dokumentation opbevares af vores autoriserede repræsentant i Europa, som er:

Makita International Europe Ltd.

Michigan Drive, Tongwell,

Milton Keynes, Bucks MK15 8JD, England

30.1.2009



Tomoyasu Kato
Direktør

Makita Corporation
3-11-8, Sumiyoshi-cho,
Anjo, Aichi, 446-8502, JAPAN

Περιγραφή γενικής άποψης

1 Κουμπί	5 Σκανδάλη διακόπτης	9 Αυλάκωση
2 Κόκκινη ένδειξη	6 Λαμπάκι	10 Γάντζος
3 Κασέτα μπαταρίας	7 Διακόπτης αντιστροφής	11 Βίδα
4 Ένδειξη αστεριού	8 Μανίκι	

ΤΕΧΝΙΚΑ ΧΑΡΑΚΤΗΡΙΣΤΙΚΑ

Μοντέλο	DDA341	DDA351
Απόδοση		
Ατσάλι	10 χιλ.	10 χιλ.
Ξύλο	25 χιλ.	25 χιλ.
Στροφές ρελαντί (min ⁻¹)	0–1.700	0–1.800
Συνολικό μήκος	326 χιλ.	326 χιλ.
Βάρος καθαρό	1,7 Χγρ	1,8 Χγρ
Καθορισμένο βολτάζ	D.C. 14,4 V	D.C.18 V

- Λόγω του συνεχιζόμενου προγράμματος έρευνας και ανάπτυξης, οι παρούσες προδιαγραφές υπόκεινται σε αλλαγή χωρίς προειδοποίηση.
- Τα τεχνικά χαρακτηριστικά και η κασέτα μπαταρίας μπορεί να διαφέρουν από χώρα σε χώρα.
- Βάρος, με κασέτα μπαταρίας, σύμφωνα με τη διαδικασία ΕΡΤΑ 01/2003

ENE032-1

Προοριζόμενη χρήση

Το εργαλείο προορίζεται για τρύπημα σε ξύλο, μέταλλο και πλαστικό.

GEA010-1

Γενικές προειδοποιήσεις ασφαλείας για το ηλεκτρικό εργαλείο

⚠️ ΠΡΟΕΙΔΟΠΟΙΗΣΗ Διαβάστε όλες τις προειδοποιήσεις ασφαλείας και όλες τις οδηγίες. Η μη τήρηση των προειδοποιήσεων και οδηγιών ενδέχεται να καταλήξει σε ηλεκτροπληξία, πυρκαγιά ή/και σοβαρό τραυματισμό.

Φυλάξτε όλες τις προειδοποιήσεις και τις οδηγίες για μελλοντική παραπομπή.

GEB051-2

ΤΡΥΠΑΝΙ ΜΕ ΜΠΑΤΑΡΙΑ — ΠΡΟΕΙΔΟΠΟΙΗΣΕΙΣ ΑΣΦΑΛΕΙΑΣ

1. Να χρησιμοποιείτε τη/τις βοηθητική(ές) λαβή(ές), εάν παρέχεται(ονται) με το εργαλείο. Απώλεια ελέγχου μπορεί να προκαλέσει προσωπικό τραυματισμό.
2. Να κρατάτε τα ηλεκτρικά εργαλεία μόνον από τις μονωμένες επιφάνειες συγκράτησης, κατά την εκτέλεση εργασιών όπου το παρελκόμενο κοπής ενδέχεται να έλθει σε επαφή με κρυφές καλωδιώσεις. Σε περίπτωση επαφής του παρελκόμενου κοπής με “ηλεκτροφόρο” καλώδιο, ενδέχεται να εκτεθειμένα μεταλλικά εξαρτήματα του ηλεκτρικού εργαλείου να καταστούν τα ίδια “ηλεκτροφόρα” και να προκαλέσουν ηλεκτροπληξία στο χειριστή.
3. Πάντοτε να είστε σίγουρος ότι πατάτε σταθερά. Σιγουρευτείτε ότι δεν βρίσκεται κανείς από κάτω όταν χρησιμοποιείτε το μηχάνημα σε υψηλές θέσεις.
4. Κρατάτε το μηχάνημα σταθερά.

5. Κρατάτε τα χέρια σας μακριά από τα περιστρεφόμενα μέρη.
6. Μην αφήνετε το μηχάνημα να λειτουργεί. Χρησιμοποιείτε το μηχάνημα μόνο όταν το κρατάτε.
7. Μην αγγίζετε την αιχμή ή το αντικείμενο εργασίας αμέσως μετά τη λειτουργία. Μπορεί να είναι εξαιρετικά θερμά και να σας προκαλέσουν εγκαύματα.
8. Μερικά υλικά περιέχουν χημικές ουσίες που μπορεί να είναι τοξικές. Προσέχετε να μην εισπνεύσετε σκόνη και να μην έχετε δερματική επαφή. Ακολουθείστε τις οδηγίες ασφάλειας του προμηθευτή των υλικών.

ΦΥΛΑΞΤΕ ΤΙΣ ΟΔΗΓΙΕΣ ΑΥΤΕΣ.

ΠΡΟΕΙΔΟΠΟΙΗΣΗ:

ΜΗΝ επιτρέψετε το βαθμό άνεσης ή εξοικείωσης με το προϊόν (λόγω επανειλημμένης χρήσης) να αντικαταστήσει την αυστηρή τήρηση των κανόνων ασφαλείας του παρόντος εργαλείου. ΚΑΚΗ ΧΡΗΣΗ ή αμέλεια να ακολουθήσετε τους κανόνες ασφάλειας που διατυπώνονται σ'αυτό το εγχειρίδιο οδηγιών μπορεί να προκαλέσει σοβαρό προσωπικό τραυματισμό.

ENC007-7

ΣΗΜΑΝΤΙΚΕΣ ΟΔΗΓΙΕΣ ΑΣΦΑΛΕΙΑΣ

ΓΙΑ ΚΑΣΕΤΑ ΜΠΑΤΑΡΙΑΣ

1. Πριν χρησιμοποιήσετε την κασέτα μπαταρίας, διαβάστε όλες τις οδηγίες και σημειώσεις προφύλαξης (1) στον φορτιστή μπαταρίας, (2) στην μπαταρία και (3) στο προϊόν που χρησιμοποιεί την μπαταρία.
2. Μην αποσυρμολογήσετε την κασέτα μπαταρίας.
3. Εάν ο χρόνος λειτουργίας έχει γίνει υπερβολικά βραχύς, σταματήστε την λειτουργία αμέσως. Αλλιώς, μπορεί να έχει ως αποτέλεσμα κίνδυνο υπερθέρμανσης, πιθανά εγκαύματα ή ακόμη και έκρηξη.
4. Εάν ηλεκτρολύτης μπει στα μάτια σας, ξεπλύνετε τα με καθαρό νερό και ζητήστε ιατρική φροντίδα αμέσως. Αλλιώς, μπορεί να έχει ως αποτέλεσμα απώλεια της όρασης σας.

5. **Μη βραχυκυκλώνετε την κασέτα μπαταρίας:**
 - (1) Μην αγγίζετε τους πόλους με οτιδήποτε αγώγιμο υλικό.
 - (2) Αποφύγετε να αποθηκεύετε την κασέτα μπαταρίας μέσα σε ένα δοχείο μαζί με άλλα μεταλλικά αντικείμενα όπως καρφιά, νομίσματα, κλπ.
 - (3) Μην εκθέτε την κασέτα μπαταρίας στο νερό ή στη βροχή.
Ενα βραχυκύκλωμα μπαταρίας μπορεί να προκαλέσει μεγάλη ροή ρεύματος, υπερθέρμανση, πιθανά εγκαύματα ακόμη και σοβαρή βλάβη.
6. Μην αποθηκεύετε το εργαλείο και την κασέτα μπαταρίας σε τοποθεσίες όπου η θερμοκρασία μπορεί να φτάσει ή να ξεπεράσει τους 50°C.
7. Μη καίτε την κασέτα μπαταρίας ακόμη και εάν έχει σοβαρή ζημιά ή είναι εντελώς φθαρμένη. Η κασέτα μπαταρίας μπορεί να εκραγεί στην φωτιά.
8. Προσέχετε να μη ρίξετε κάτω ή χτυπήσετε την μπαταρία.
9. Μην χρησιμοποιείτε μπαταρία που έχει υποστεί ζημιά.

ΦΥΛΑΞΤΕ ΤΙΣ ΟΔΗΓΙΕΣ ΑΥΤΕΣ.

Συμβουλές για διατήρηση μέγιστης ζωής μπαταρίας

1. Φορτίζετε την κασέτα μπαταρίας πριν από την πλήρη αποφόρτιση της.
Πάντοτε σταματάτε την λειτουργία του εργαλείου και φορτίζετε την κασέτα μπαταρίας όταν παρατηρείτε μειωμένη ισχύ εργαλείου.
2. Ποτέ μην επαναφορτίσετε μία πλήρως φορτισμένη κασέτα μπαταρίας. Υπερφόρτιση μειώνει την ωφέλιμη ζωή της μπαταρίας.
3. Φορτίζετε την κασέτα μπαταρίας σε θερμοκρασία δωματίου 10°C – 40°C. Αφήστε μία θερμή κασέτα μπαταρίας να κρυώσει πριν την φορτίσετε.
4. Φορτίστε την κασέτα μπαταρίας μία φορά κάθε έξι μήνες εάν δεν τη χρησιμοποιείτε για μεγάλη χρονική περίοδο.

ΠΕΡΙΓΡΑΦΗ ΛΕΙΤΟΥΡΓΙΑΣ

ΠΡΟΣΟΧΗ:

- Πάντοτε βεβαιώνετε ότι το εργαλείο είναι σβηστό και η κασέτα μπαταρίας έχει αφαιρεθεί πριν ρυθμίσετε ή ελέγξετε κάποια λειτουργία στο εργαλείο.

Τοποθέτηση ή αφαίρεση της κασέτας μπαταρίας (Εικ. 1)

- Πάντοτε σβήνετε το εργαλείο πριν εγκαταστήσετε ή βγάλετε την κασέτα μπαταρίας.
- Για να αφαιρέσετε την κασέτα μπαταρίας, βγάλτε την από το εργαλείο ενώ σύρετε το κουμπί στο εμπρόσθιο μέρος της κασέτας.

- Για να εγκαταστήσετε την κασέτα μπαταρίας, ευθυγραμμίστε την γλώσσα στην κασέτα μπαταρίας με την αυλακία στην υποδοχή και τοποθετήστε την. Πάντοτε να την βάζετε πλήρως μέχρι να κλειδώσει, γεγονός που υποδηλώνεται με ένα χαρακτηριστικό ήχο. Εάν μπορείτε να δείτε την κόκκινη ένδειξη στην επάνω πλευρά του κουμπιού, δεν έχει κλειδώσει τελείως. Τοποθετήστε την πλήρως μέχρι να μην μπορείτε να δείτε την κόκκινη ένδειξη. Σε αντίθετη περίπτωση, ίσως πέσει κατά λάθος από το μηχανήμα, τραυματίζοντας εσάς ή κάποιον τριγύρω σας.
- Μη χρησιμοποιείτε δύναμη όταν εγκαταστήσετε την κασέτα μπαταρίας. Εάν η κασέτα δεν γλυστράει μέσα εύκολα, δεν εισάγεται με τον σωστό τρόπο.

Σύστημα προστασίας μπαταρίας (μπαταρία ιόντων λιθίου με ένδειξη αστεριού) (Εικ. 2)

Οι μπαταρίες ιόντων λιθίου με ένδειξη αστεριού είναι εξοπλισμένες με σύστημα προστασίας. Αυτό το σύστημα αποκόπτει αυτόματα την ισχύ προς το εργαλείο για την παράταση της ζωής της μπαταρίας. Το εργαλείο σταματάει αυτόματα κατά τη διάρκεια της λειτουργίας εάν το εργαλείο ή/και η μπαταρία βρεθούν κάτω από τις παρακάτω συνθήκες:

- Υπερφόρτωση:
Το εργαλείο λειτουργεί με τρόπο ώστε να αναγκάζεται να καταναλώνει ασυνήθιστα υψηλό ρεύμα.
Σε αυτή την κατάσταση, αφήστε το διακόπτη σκανδάλης και διακόψτε την εφαρμογή που προκαλεί την υπερφόρτωση του εργαλείου. Μετά, τραβήξτε ξανά το διακόπτη σκανδάλης για επανεκκίνηση.
Εάν το εργαλείο δεν ξεκινάει, η μπαταρία έχει υπερθερμανθεί. Σε αυτή την κατάσταση, αφήστε την μπαταρία να ψυχθεί πριν τραβήξετε ξανά το διακόπτη σκανδάλης.
- Χαμηλή τάση μπαταρίας:
Η υπόλοιπη χωρητικότητα μπαταρίας είναι πολύ χαμηλή και το εργαλείο δεν λειτουργεί. Σε αυτή την κατάσταση, αφαιρέστε και επαναφορτίστε την μπαταρία.

Λειτουργία διακόπτη (Εικ. 3)

ΠΡΟΣΟΧΗ:

- Πριν βάλετε την κασέτα μπαταρίας μέσα στο εργαλείο, πάντοτε ελέγχετε να δείτε ότι η σκανδάλη διακόπτης ενεργοποιείται κανονικά και επιστρέφει στην θέση "OFF" όταν ελευθερώνεται.

Για να ξεκινήσετε το εργαλείο, απλώς τραβήξτε την σκανδάλη διακόπτη. Η ταχύτητα του εργαλείου αυξάνει αυξάνοντας την πίεση στην σκανδάλη διακόπτη. Ελευθερώστε την σκανδάλη διακόπτη για να σταματήσει.

ΠΡΟΣΟΧΗ:

- Φροντίστε να κρατάτε το εργαλείο σταθερά, πριν από την απενεργοποίησή του.

Για να ανάψετε το εμπρόσθιο λαμπάκι (Εικ. 4)

ΠΡΟΣΟΧΗ:

- Μη κυττάζετε το φως ή βλέπετε την πηγή φωτός απευθείας.

Τραβήχτε την σκανδάλη διακόπτη για να ανάψετε το λαμπάκι. Το λαμπάκι συνεχίζει να είναι αναμμένο όσο η σκανδάλη διακόπτης είναι τραβηγμένη. Το λαμπάκι σβήνει αυτόματα σε 10 – 15 δευτερόλεπτα αφού η σκανδάλη διακόπτης έχει ελευθερωθεί.

ΠΑΡΑΤΗΡΗΣΗ:

- Χρησιμοποιείτε ένα στεγνό ύφασμα για να σκουπίσετε τους ρύπους από τους φακούς στο λαμπάκι. Προσέχετε να μη γρατσουνίσετε τους φακούς του, διαφορετικά θα μειωθεί ο φωτισμός.

Λειτουργία διακόπτη αντιστροφής (Εικ. 5)

Αυτό το εργαλείο έχει έναν διακόπτη αντιστροφής για να αλλάζει την διεύθυνση περιστροφής. Πιέστε τον μοχλό διακόπτη αντιστροφής από την πλευρά Α για δεξιόστροφη περιστροφή ή από την πλευρά Β για αριστερόστροφη περιστροφή.

Όταν ο μοχλός διακόπτη αντιστροφής είναι στην ουδέτερη θέση, η σκανδάλη διακόπτης δεν μπορεί να τραβηχθεί.

ΠΡΟΣΟΧΗ:

- Πάντοτε ελέγχετε την διεύθυνση περιστροφής πριν από την λειτουργία.
- Χρησιμοποιείτε τον διακόπτη αντιστροφής μόνο αφού το εργαλείο σταματήσει εντελώς. Αλλαγή της διεύθυνσης περιστροφής πριν το εργαλείο σταματήσει μπορεί να κάνει ζημιά στο εργαλείο.
- Όταν δεν λειτουργείτε το εργαλείο, πάντοτε βάζετε τον μοχλό διακόπτη αντιστροφής στην ουδέτερη θέση.

ΣΥΝΑΡΜΟΛΟΓΗΣΗ

ΠΡΟΣΟΧΗ:

- Πάντοτε βεβαιώνετε ότι το εργαλείο είναι σβηστό και η κασέτα μπαταρίας έχει αφαιρεθεί πριν εκτελέσετε κάποια εργασία στο εργαλείο.

Τοποθέτηση πλάγιας λαβής (Βοηθητική λαβή) (Εικ. 6)

ΠΡΟΣΟΧΗ:

- Πάντοτε βεβαιώνετε ότι η πλάγια λαβή είναι τοποθετημένη με ασφάλεια πριν τη λειτουργία.

Βιδώστε την πλάγια λαβή στο εργαλείο με ασφάλεια. Η πλάγια λαβή μπορεί να τοποθετηθεί και στις δύο πλευρές του εργαλείου, οποιαδήποτε βολέψει.

Τοποθέτηση ή αφαίρεση της αιχμής του τρυπανιού (Εικ. 7)

Κρατείστε στο εργαλείο σταθερά και γυρίστε το μανίκι αριστερόστροφα για να ανοίξουν οι σιαγόνες του σφιγκτήρα. Βάλτε την αιχμή μέσα στο σφιγκτήρα όσο μπορεί να πάει. Κρατείστε στο εργαλείο σταθερά και γυρίστε το μανίκι δεξιόστροφα για να σφίξετε τον σφιγκτήρα.

Για να αφαιρέσετε την αιχμή, κρατείστε στο εργαλείο σταθερά και γυρίστε το μανίκι αριστερόστροφα.

Γάντζος (Εικ. 8)

Ο γάντζος εξυπηρετεί για προσωρινό κρέμασμα του εργαλείου. Μπορεί να τοποθετηθεί σε οποιαδήποτε πλευρά του εργαλείου.

Για να τοποθετήσετε τον γάντζο, βάλτε τον σε μία αυλάκωση στο περίβλημα του εργαλείου σε οποιαδήποτε πλευρά και μετά ασφαλίστε τον με μία βίδα. Για να τον αφαιρέσετε, χαλαρώστε την βίδα και μετά αφαιρέστε τον.

ΛΕΙΤΟΥΡΓΙΑ

ΠΡΟΣΟΧΗ:

- Όταν λειτουργείτε το εργαλείο, κρατάτε το σταθερά με το ένα χέρι στο κυρίως μέρος λαβής του εργαλείου και το άλλο χέρι στην πλάγια λαβή. (Εικ. 9)

Λειτουργία τρυπήματος

Τρύπημα σε μέταλλο

Για να αποτρέψτε το τρυπάνι από του να γλιστρήσει όταν αρχίσετε μια τρύπα, κάντε ένα βαθούλωμα με ένα ζουμπά και χτυπήστε στο σημείο που θέλετε να τρυπήσετε. Βάλτε τη μύτη του τρυπανιού στο βαθούλωμα και αρχίστε το τρυπάνισμα.

Όταν τρυπάτε μέταλλα να χρησιμοποιείτε κοπτικό λυπαντικό. Οι μόνες εξαιρέσεις είναι το σίδερο και ο ορείχαλκος που πρέπει να τρυπούνται ξηρά.

ΠΡΟΣΟΧΗ:

- Ασκώντας υπερβολική πίεση πάνω στο μηχάνημα δεν αυξάνεται η ταχύτητα του τρυπήματος. Στην πραγματικότητα αυτή η υπερβολική πίεση θα καταστρέψει τη μύτη του τρυπανιού, μειώνοντας την αποδοτικότητα του μηχανήματος και την διάρκεια ζωής του.
- Τη στιγμή που το τρυπάνι ανοίξει την τρύπα, πάνω στο τρυπάνι όπως και στο μηχάνημα ασκείται τεράστια στρεπτική δύναμη. Κρατάτε το μηχάνημα γερά και να είσαστε προσεκτικοί όταν το τρυπάνι αρχίζει να ανοίγει την τρύπα στο τεμάχιο εργασίας.
- Αν το τρυπάνι κολλήσει μπορείτε να το ελευθερώσετε εύκολα αν αντιστρέψετε την κατεύθυνση περιστροφής μέσω του μοχλού αλλαγής ταχύτητας για να βγει έξω από την τρύπα το μηχάνημα. Αν όμως δεν κρατάτε το μηχάνημα γερά μπορεί να βγει έξω από το.
- Πάντοτε να στερεώνετε μικρά τεμάχια εργασίας σε μία μέγγενη ή σε κάποιο παρόμοιο στερεωτικό εργαλείο.
- Εάν το μηχάνημα λειτουργεί συνεχώς μέχρι η κασέτα μπαταρίας αδειάσει, αφήστε το μηχάνημα να αναπαυθεί για 15 λεπτά πριν προχωρήσετε με μία νέα μπαταρία.

ΣΥΝΤΗΡΗΣΗ

ENG901-1

ΠΡΟΣΟΧΗ:

- Πάντοτε βεβαιώνετε ότι το εργαλείο είναι σβηστό και η κασέτα μπαταρίας έχει αφαιρεθεί πριν επιχειρήσετε να κάνετε έλεγχο ή συντήρηση.
- Μην χρησιμοποιείτε ποτέ βενζίνη, πετρελαϊκό αιθέρα, διαλυτικό, αλκοόλη ή παρόμοιες ουσίες. Ενδέχεται να προκληθεί αποχρωματισμός παραμόρφωση ή ρωγμές.

Για την διατήρηση της ΑΣΦΑΛΕΙΑΣ και ΑΞΙΟΠΙΣΤΙΑΣ του προϊόντος, επισκευές, οποιαδήποτε άλλη συντήρηση ή ρύθμιση πρέπει να εκτελούνται από τα Εξουσιοδοτημένα Κέντρα Εξυπηρέτησης της Μάκιτα, με χρήση πάντοτε ανταλλακτικών Μάκιτα.

ΠΡΟΑΙΡΕΤΙΚΑ ΕΞΑΡΤΗΜΑΤΑ

ΠΡΟΣΟΧΗ:

- Αυτά τα εξαρτήματα ή προσαρτήματα συνιστώνται για χρήση με το εργαλείο Μάκιτα που περιγράφηκε στις οδηγίες αυτές. Η χρήση οτιδήποτε άλλων εξαρτημάτων ή προσαρτημάτων μπορεί να προκαλέσει κίνδυνο τραυματισμού σε άτομα. Χρησιμοποιείτε τα εξαρτήματα ή προσαρτήματα μόνο για την χρήση που προορίζονται.

Εάν χρειάζεστε οποιαδήποτε βοήθεια για περισσότερες πληροφορίες σε σχέση με αυτά τα εξαρτήματα, αποτανθείτε στο τοπικό σας κέντρο εξυπηρέτησης Μάκιτα.

- Αιχμές τρυπανίσματος
- Γάντζος
- Πλαστική θήκη μεταφοράς
- Διάφοροι τύποι αυθεντικών μπαταριών και φορτιστών Μάκιταm

ΠΑΡΑΤΗΡΗΣΗ:

- Μερικά στοιχεία στη λίστα μπορεί να συμπεριλαμβάνονται στη συσκευασία εργαλείου ως στάνταρ εξαρτήματα. Μπορεί να διαφέρουν ανάλογα με τη χώρα.

ENG104-1

Μόνο για χώρες της Ευρώπης

Θόρυβος

Το τυπικό Α επίπεδο μετρημένου θορύβου καθορίζεται σύμφωνα με το EN60745:

Στάθμη πίεσης ήχου (L_{pA}): 73 dB (A)

Αβεβαιότητα (K): 3 dB (A).

Η ένταση ήχου υπο συνθήκες εργασίας μπορεί να υπερβεί τα 80 dB (A).

Φοράτε ωτοασπίδες.

ENG202-3

Κραδασμός

Η ολική τιμή δόνησης (άθροισμα τρι-αξονικού διανύσματος) καθορίζεται σύμφωνα με το EN60745:

Είδος εργασίας: τρυπάνισμα σε μέταλλο

Εκπομπή δόνησης ($a_{h,D}$): 2,5 m/s² ή λιγότερο

Αβεβαιότητα (K): 1,5 m/s²

- Η δηλωμένη τιμή εκπομπής κραδασμών έχει μετρηθεί σύμφωνα με την πρότυπη μέθοδο δοκιμής και μπορεί να χρησιμοποιηθεί για τη σύγκριση ενός εργαλείου με άλλο.
- Η δηλωμένη τιμή εκπομπής κραδασμών μπορεί να χρησιμοποιηθεί και στην προκαταρκτική αξιολόγηση έκθεσης.

ΠΡΟΕΙΔΟΠΟΙΗΣΗ:

- Η εκπομπή κραδασμών κατά τη χρήση του ηλεκτρικού εργαλείου σε πραγματικές συνθήκες μπορεί να διαφέρει από τη δηλωμένη τιμή εκπομπής ανάλογα με τον τρόπο χρήσης του εργαλείου.
- Φροντίστε να λάβετε τα κατάλληλα μέτρα προστασίας του χειριστή βάσει υπολογισμού της έκθεσης σε πραγματικές συνθήκες χρήσης (λαμβάνοντας υπόψη όλες τις συνιστώσες του κύκλου λειτουργίας όπως τους χρόνους που το εργαλείο είναι εκτός λειτουργίας και όταν βρίσκεται σε αδρανή λειτουργία πέραν του χρόνου ενεργοποίησης).

ENH101-15

Μόνο για χώρες της Ευρώπης

Δήλωση Συμμόρφωσης ΕΚ

Η Makita Corporation, ως ο υπεύθυνος κατασκευαστής, δηλώνει ότι το/τα ακόλουθο(α) μηχάνημα(τα) της Makita:

Χαρακτηρισμός μηχανήματος: Φορητό γωνιακό τρυπάνι

Αρ. μοντέλου/ Τύπος: DDA341, DDA351

είναι εν σειρά παραγωγή και συμμορφώνονται με τις ακόλουθες Ευρωπαϊκές Οδηγίες:

2006/42/ΕΚ

και κατασκευάζονται σύμφωνα με τα ακόλουθα πρότυπα ή έγγραφα τυποποίησης:

EN60745

Η τεχνική τεκμηρίωση φυλάσσεται από τον εξουσιοδοτημένο εκπρόσωπό μας στην Ευρώπη, δηλαδή τη:

Makita International Europe Ltd.

Michigan Drive Tongwell,

Milton Keynes, Bucks MK15 8JD, England (Αγγλία)

30.1.2009



Tomoyasu Kato
Διευθυντής

Makita Corporation
3-11-8, Sumiyoshi-cho,
Anjo, Aichi, 446-8502, JAPAN

Makita Corporation
Anjo, Aichi, Japan

885284-996

www.makita.com

IDE