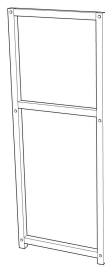
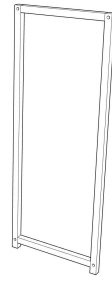






# Assembly Manual

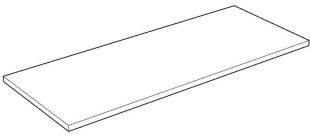
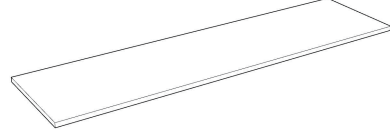
SKU:6090-2169BK


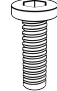
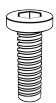



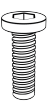
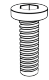
1  1 pcs	2  1 pcs
3  1 pcs	4  2 pcs
5  2 pcs	6  2 pcs

# Assembly Manual

SKU:6090-2169BK

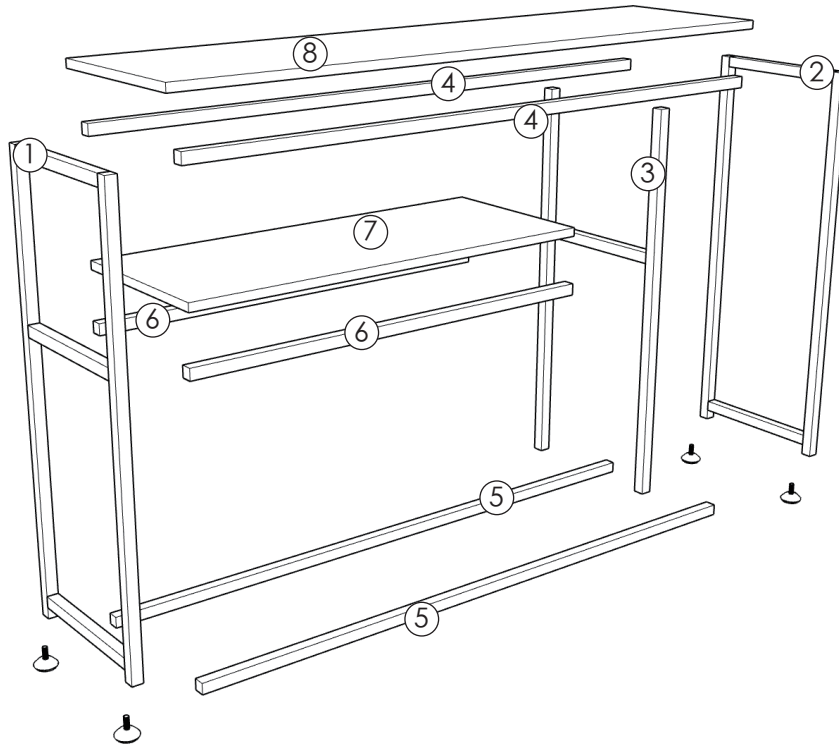
7		1pcs	8		1pcs
---	---	------	---	--	------

Hardware Accessories								
NO.	PICTURE	SIZE	QTY		NO.	PICTURE	SIZE	QTY
A			4		B		M6 * L35mm	16
C		M6 * L30mm	8		D			1

SPARE								
NO.	PICTURE	SIZE	QTY		NO.	PICTURE	SIZE	QTY
B		M6*L35mm	1		C		M6*L30mm	1

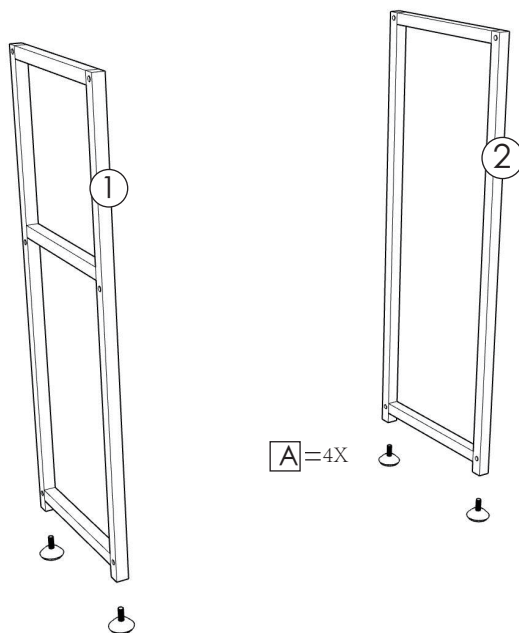
Before assembly, please put all parts on a neat and clean sheet

# Exploded View



## Installation procedures

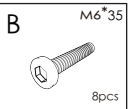
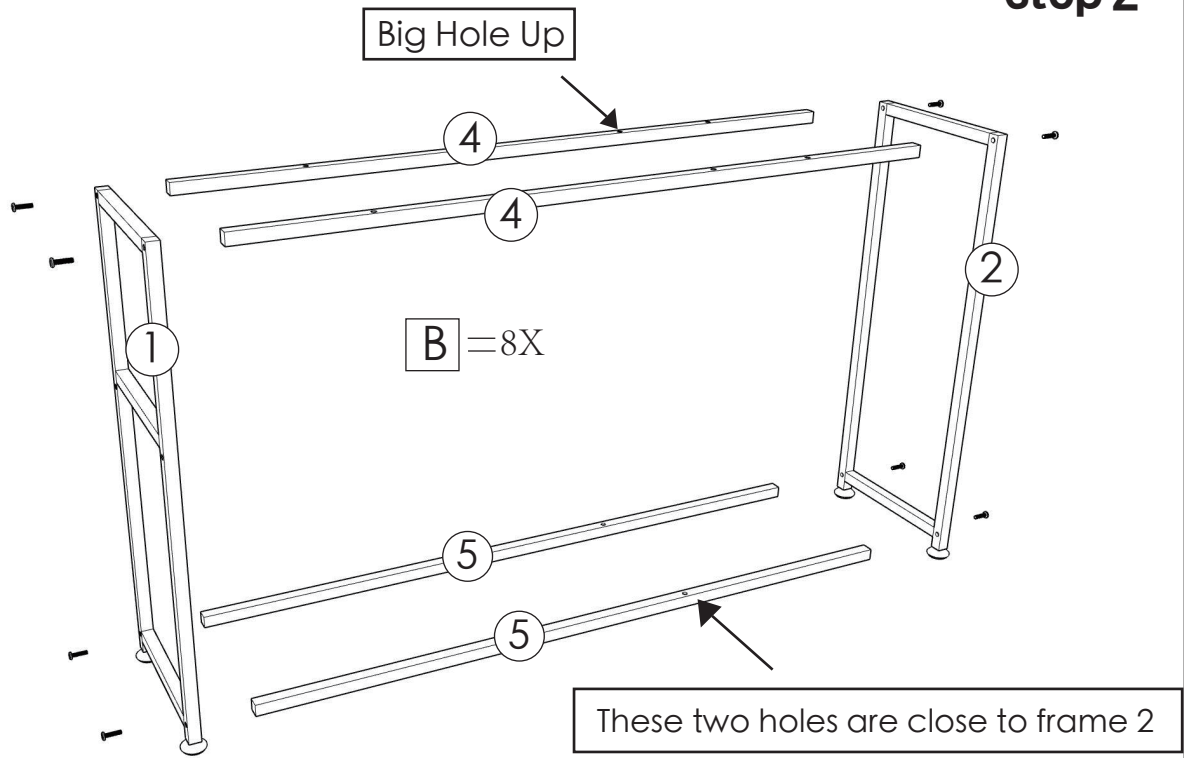
step 1



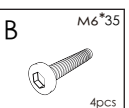
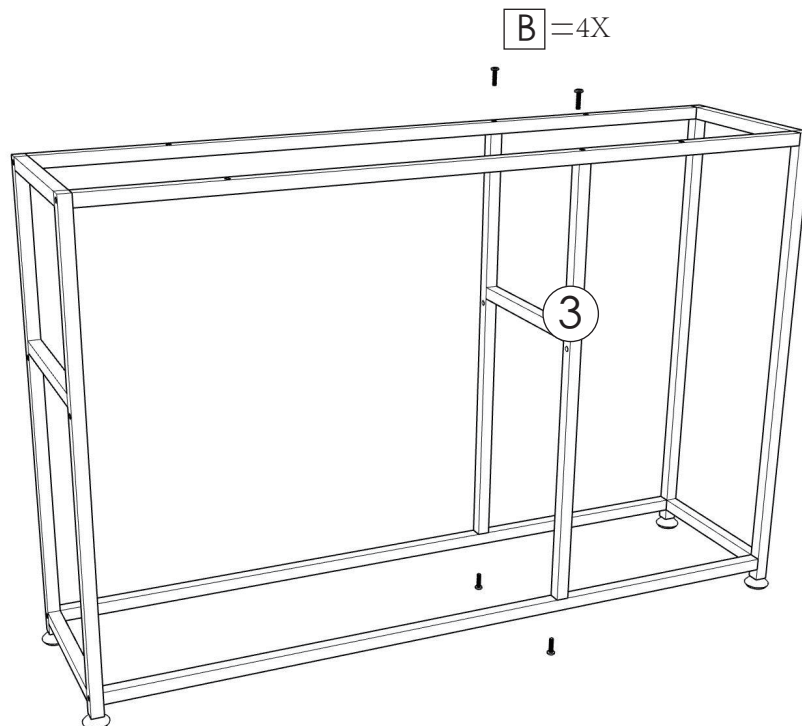
A=4X



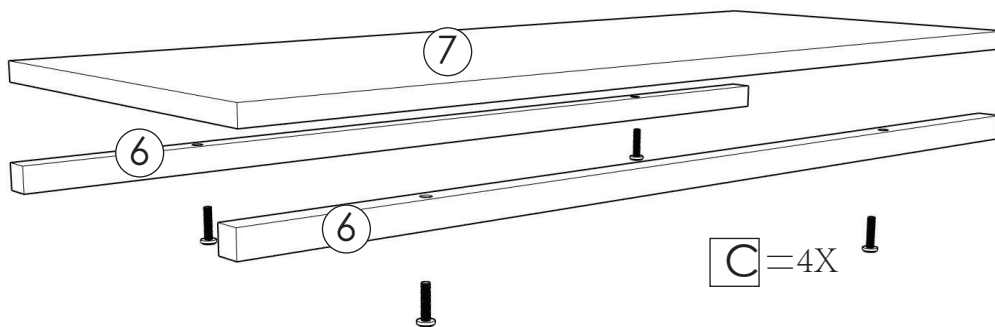
## step 2



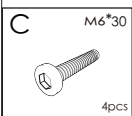
## step 3



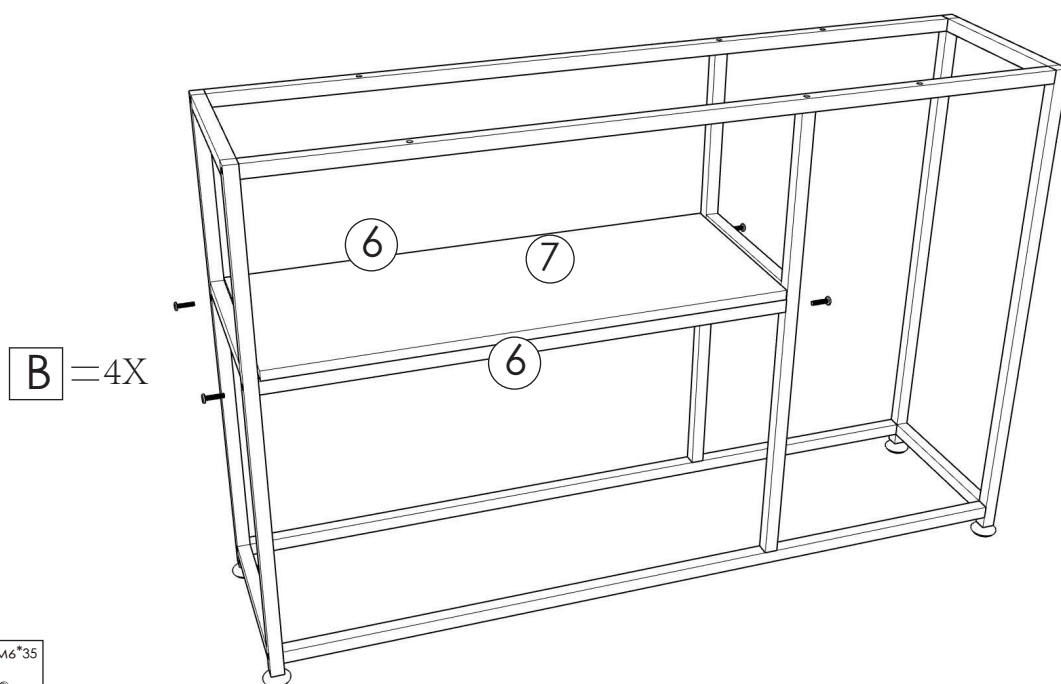
# step 4



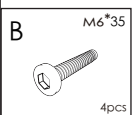
C = 4X



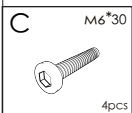
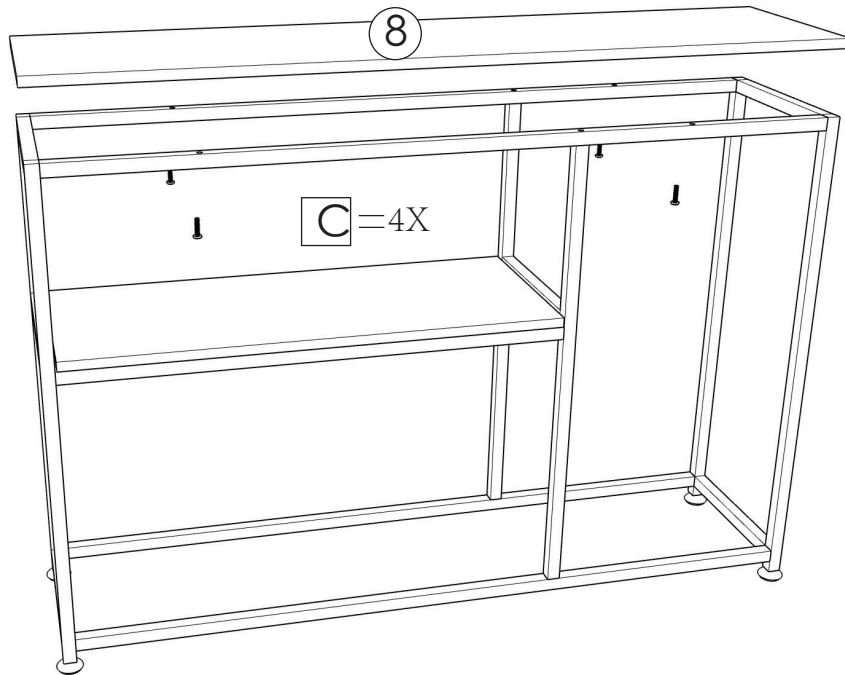
# step 5



B = 4X



step 6



COMPLETED DRAWING

