


**AXA HOME SECURITY**
**EN**


# AXA Remote 2.0

Remote-controlled window opener

EMC 2004/108/EC

## Information

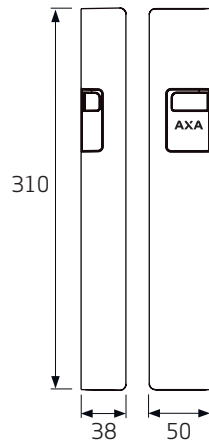
You have just acquired a high quality AXA product. The instructions below must be followed closely in order to effectively install and operate this product.

### Application:

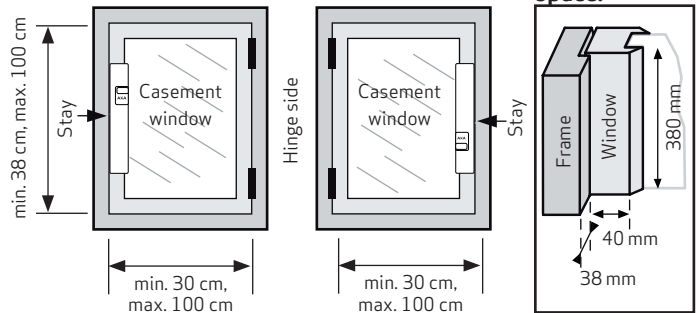
Casement windows, outward-opening

### Installation tools (recommended):

Tape measure, (cordless) drill, screwdriver, Ø 2 mm drill bit, pencil or bradawl, screw hook and allen key



### Installation location:



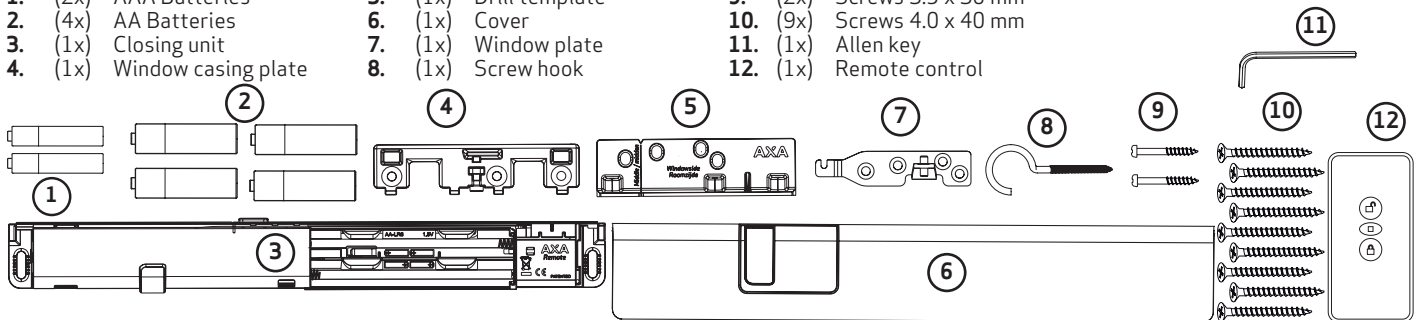
**Minimum window width: 30 cm. Maximum range of remote control: distance 10 m.**



**Always mount the product vertically on a fully functioning and glazed window, preferably in the final position.**

### Package contents

- |                             |                        |                             |
|-----------------------------|------------------------|-----------------------------|
| 1. (2x) AAA Batteries       | 5. (1x) Drill template | 9. (2x) Screws 3.5 x 30 mm  |
| 2. (4x) AA Batteries        | 6. (1x) Cover          | 10. (9x) Screws 4.0 x 40 mm |
| 3. (1x) Closing unit        | 7. (1x) Window plate   | 11. (1x) Allen key          |
| 4. (1x) Window casing plate | 8. (1x) Screw hook     | 12. (1x) Remote control     |



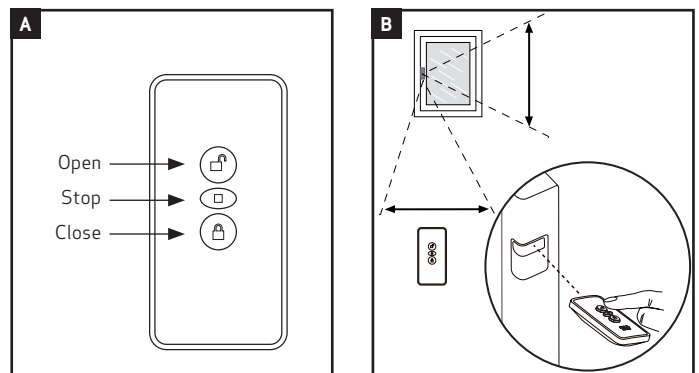
## User manual

### Remote control (figure A):

The remote control has 3 buttons: *Open*, *Stop* and *Close*. If the *Open* or *Close* button is pressed briefly, the window opens or closes fully.

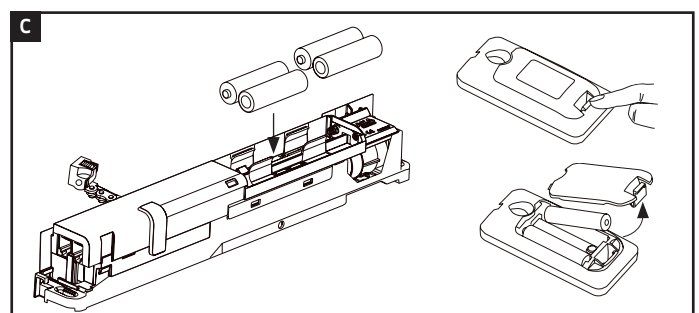
If the *Open* or *Close* button is pressed for longer, the window opens or closes while the button is kept depressed. If the *Stop* button is pressed, the movement stops.

Always point the remote control at the front of the closing unit (3) (figure B).



### Configuring remote control:

- 1 Insert 2x AAA batteries (1) into the remote control (12) and 4x AA batteries (2) into the closing unit (figure C).
- 2 The LED light in the closing unit will come on for 20 seconds (green). Press the *Open* button (top button) on the remote control. The light will briefly turn off when configuration is taking place.




**AXA HOME SECURITY**
**EN**


# AXA Remote 2.0

Remote-controlled window opener

EMC 2004/108/EC



The configuration time is 20 seconds. The LED light will switch off once this time has elapsed. If you want to configure the remote control or another remote control, you must briefly remove the batteries and then re-insert them. Then repeat step 2.



- A remote control can be configured to an unlimited number of window units.
- A window unit can be configured to a maximum of 8 remote controls.

- 3 Press the *Open* button again and allow the chain to fully exit the closing unit.  
The closing unit is now ready for installation (figure **D**).

## Installation manual

### Installation preparation

- 4 Check whether the window closes effortlessly.  
5 Mark the middle of the window on the window casing.  
6 Place the drill template (5), with the centre of the V sign on the marked central point, firmly against the window and window casing (figure **E**). Mark the hole (figure **F**) and screw the screw hook (8) into the window through the opening of the drill template (pre-drill  $\varnothing$  2 mm). Use this screw hook to properly close the window; ensure the drill template is firmly against the window and window casing (figure **G**).  
Drill the attachment points ( $\varnothing$  2 mm, figure **H**).



**Do not use a wedge to clamp the window!**

- 7 Fix the drill template in place using the screws (3.5 x 30 mm) (9) and remove the screw hook (figure **H**).  
8 Drill the 7 holes (figure **I**) using a  $\varnothing$  2 mm drill bit.  
9 Remove the drill template.

### Installation

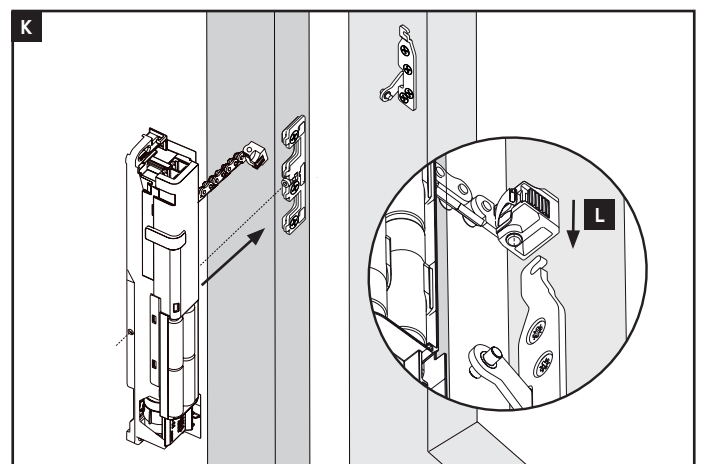
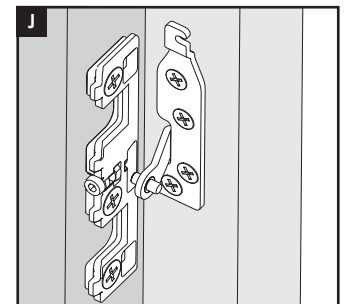
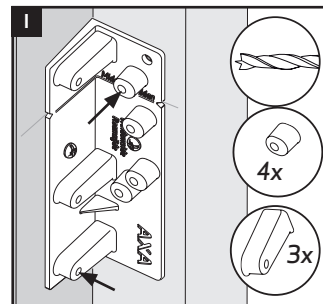
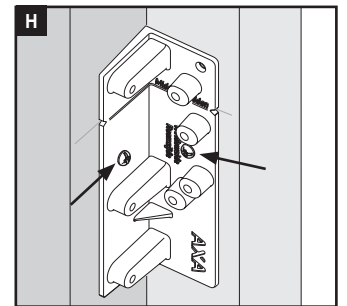
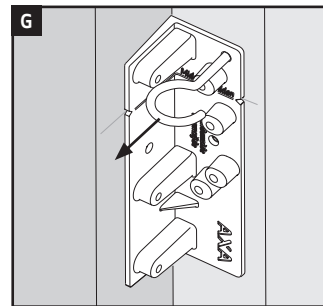
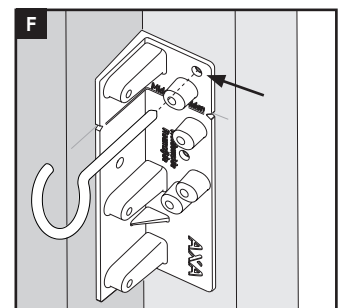
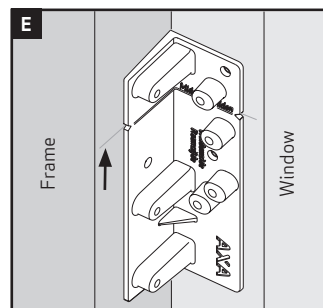
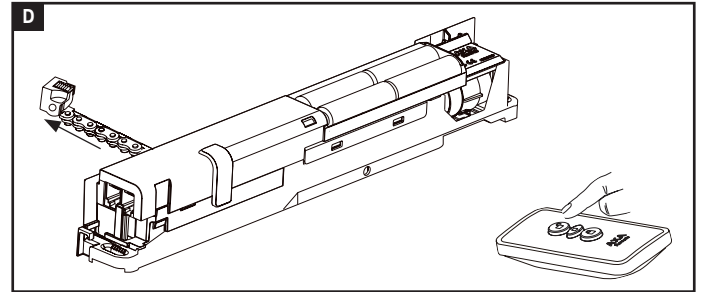
- 10 Mount the window plate (7) (according to the pre-drilled holes) with 4 screws (10) (4.0 x 40 mm)\* (figure **J**).



**When using a battery drill, you must make the last few tightening revolutions by hand**

- 11 Mount the window casing plate (4) (using pre-drilled holes) with three 4.0 x 40 mm screws (figure **J**).  
12 Slide the closing unit onto the window casing plate; keep the window slightly open when doing so (figure **K**).  
13 Slide the block on the chain fully over the window plate (figure **L**). The block will fix itself in place.

\* For pine wood: Use four 4.5 x 45 mm screws.




**AXA HOME SECURITY**
**EN**


# AXA Remote 2.0

Remote-controlled window opener

EMC 2004/108/EC

14 Close the window with the remote control (figure **M**).



**When doing so, hold the closing unit and ensure it stays parallel to the window.**

### Configuring the closing unit:

15 The closing unit will stop flashing once it is fully closed. You can adjust the close-position using the adjustment screw.

### If the window does not close completely to normal position:

If the window is not closed enough (the window moves or a draft comes through the window), you must turn the adjustment screw to the left (figure **N**).

For the best operation and a longer working life per set of batteries, we recommend not adjusting the closing unit too tightly.

### If the closing unit does not lock completely:

If the closing unit does not close properly, the LED light will flash. In this case, the unit is too *tight*.

If the closing unit has been configured too tightly, you must turn the adjustment screw to the right (figure **O**). Press the close button on the remote control once again and check whether the closing unit closes properly. Repeat this process until the unit closes properly.

### Final assembly

16 Screw the closing unit in place using the 2 screws **10** (4.0 x 40 mm, pre-drill  $\varnothing$  2 mm), one on the left-hand side and one on the right-hand side of the unit (figure **P**). When screwing in place, ensure that the closing unit is at an equal distance from the window casing.

17 Once again, check whether the window opens and closes properly by fully closing and opening the window once. Repeat step 15 if the window does not open or close properly.

### Assembly cover:

18 Slide the cover **6** onto the closing unit, from front to back, until it goes no further (figure **Q**).

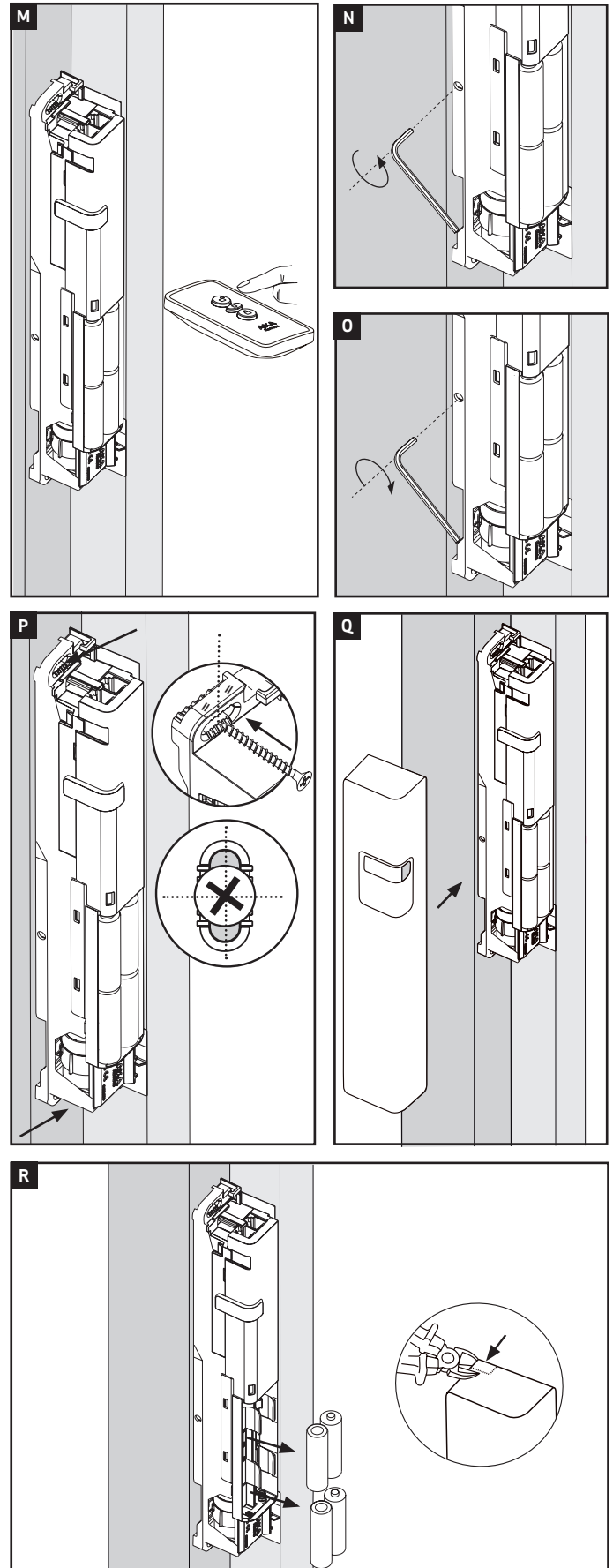
19 The AXA Remote 2.0 is ready for use.

### Assembly adapter version:

20 Assemble the window unit in the same way as the battery version (step 1 to 19). Remove the battery before connecting the adapter to the closing unit and the mains (figure **R**).

21 Decide whether you want the adapter wire to exit the top or bottom of the closing unit (depending on the location of the power socket).

Use cutters to cut a small snippet from the cover in the semi-perforated area (figure **R**) on the side chosen.





**AXA HOME SECURITY**

## AXA Remote 2.0

Remote-controlled window opener

EN



EMC 2004/108/EC

- 22** Click the adapter wire into the closing unit:
- Lead the wire from the left-hand side of the closing unit and place the adapter in the power socket.

Or:

- Lead the wire through the opening on the right-hand side of the closing unit and under the designated hook (figure **S**). Push the adapter into the power socket.



**Make sure the wire lies neatly along the window frame.**

The adapter with 5 m wire can be ordered as an accessory under item number 2902-31-98.

NB. The AXA Remote is only intended for objects with a residential or office purpose.

## Troubleshooting

### The window does not close

- Disconnect the chain from the window and check that the window does not become stuck and operates without problems.
- Check that the installation steps have been followed correctly.
- The batteries may be flat (have insufficient power). Replace the batteries in the unit and/or remote control (figure **C**).
- The unit has been configured too tightly.

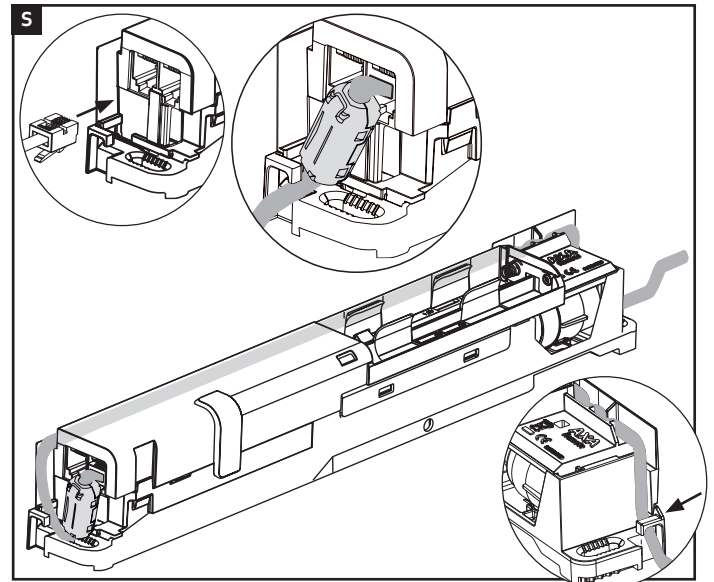
The closing units may sometimes not properly close the window (for example, the expansion and contraction of the window causes by temperature variances) if it has been configured too tightly. Unscrew the outside 2 screws of the closing units (figure **P**) a few turns. Turn the adjustment screws fully to the right (figure **O**). Repeat steps 14 to 17. Screw the closing units tight again with the 2 outside screws.

### The unit does not react or reacts insufficiently

- Temporarily remove the batteries or remove the adapter plug from the power socket and wait 2 minutes. Press a button on the remote control as if you are about to use the unit. Replace the batteries or the adapter. Now try to use the unit by pressing one of the buttons on the remote control.

### Unit does not immediately respond to the remote control, sleep mode

- To save energy, the unit switches to sleep mode after a certain period of time; that is why you sometimes need to press twice on the remote control to activate the unit.
- Environmental factors could have an impact on the range of the remote control. Full sun, very close illumination at the front of the unit or a dusty/ moist environment can reduce the remote control distance. In this case, you must move closer to the closing unit to operate it.



- The batteries may be flat (have insufficient power). Replace the batteries in the unit and/or remote control.

### Replacing the batteries

#### Low-battery indicator

- If the LED starts to flash red/green intermittently, this means the batteries need to be replaced very soon. The AXA-Remote will always ensure that the last remaining power in the batteries is used to close the window.
- Open the cover of the unit and remove the 4 flat batteries. Insert 4 new batteries (AA) as identified in this assembly manual (figure **C**).



**Only use good alkaline AA batteries (do not use re-chargeable batteries)**

### Configuring multiple units with the same remote control

- Briefly remove the batteries from the to-be-configured window unit or briefly remove the adapter from the power socket and wait 1 minute. Replace the batteries or the adapter. Continue to configure the remote control so long as the LED light remains green (20 seconds) (see figure **C**).

### Ventilation capacity

According to NEN 1087 and NEN 8087, which identify minimum ventilation per area, the AXA Remote 2.0 complies with the minimum ventilation capacity of 25 m<sup>3</sup>/hour per area, based on a window surface area of 0.26 m<sup>2</sup>. Due to its many opening possibilities, the AXA Remote 2.0 is also suitable for aeration. For the mentioned window size, each AXA Remote 2.0 is able to sufficiently ventilate an area of 22.5 m<sup>2</sup>. The AXA Remote 2.0 also complies with the capacity guideline established in NPR 1088, because it enables continuous opening and closing. This allows the required ventilation to be arranged.