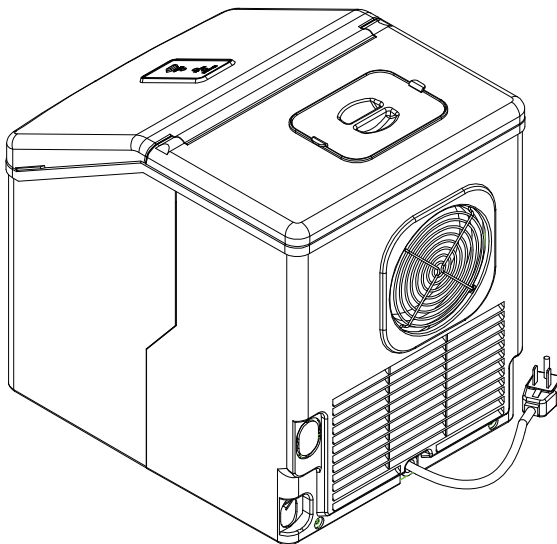
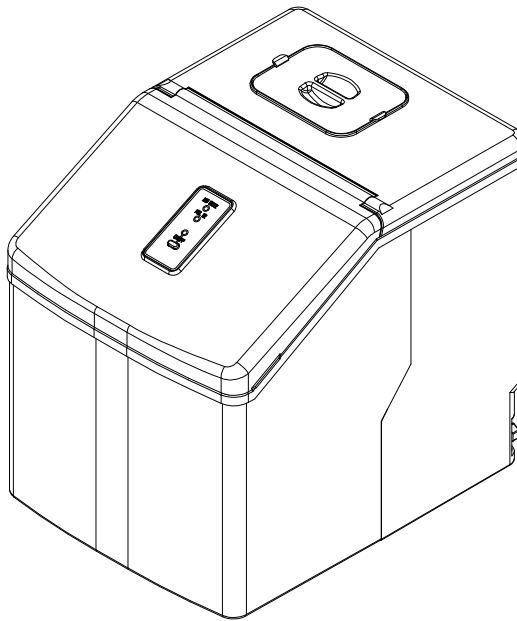


EN

# USER MANUAL

## ICE MAKER

Model No.:400162



 **tectake**

TecTake GmbH,  
Tauberweg 41, D-97999 Igersheim, Germany

CE

ORIGINAL INSTRUCTION MANUAL  
RETAIN FOR FUTURE REFERENCE

## TABLE OF CONTENTS

<b>IMPORTANT SAFETY INSTRUCTIONS</b> .....	2
<b>PREPARING YOUR ICE MAKER FOR USE</b> .....	3
IMPORTANT SAFETY TIPS .....	3
<b>GETTING TO KNOW YOUR UNIT</b> .....	5
<b>OPERATING PROCEDURES &amp; MAINTENANCE</b> .....	5
UNPACKING YOUR ICE MAKER .....	5
CONNECTING YOUR ICE MAKER .....	6
CLEANING AND MAINTAINING YOUR ICE MAKER .....	6
<b>USING YOUR ICE MAKER</b> .....	8
TROUBLESHOOTING .....	9
<b>TECHNICAL PARAMETERS &amp; CIRCUIT DIAGRAM</b> .....	10
TECHNICAL PARAMETERS .....	10
CIRCUIT DIAGRAM .....	10
<b>WARRANTY AND DISPOSAL OF THE PRODUCT</b> .....	11

## *IMPORTANT SAFETY INSTRUCTIONS*

**Your safety and the safety of others are very important.**

We have provided many important safety messages manual and your appliance.  
Always read and obey all safety messages.

This is the safety alert symbol:



All safety messages will follow the safety alert symbol and the word “DANGER” or “WARNING”.

 **DANGER**

 **WARNING**

These words mean:

**You can be killed or seriously injured if you don't immediate follow instructions.**

All safety messages will tell you what the potential hazard is, tell you how to reduce the chance of injury, and tell you what can happen if the instructions are not followed.

## PREPARING YOUR ICE MAKER FOR USE

### IMPORTANT SAFETY TIPS

When using electrical appliances, basic safety precautions should be followed to reduce the risk of fire, electric shock, and injury to persons or property. Read all instructions before using any appliance.

- This appliance is not intended for use by persons (including children) with reduced physical, sensory or mental capabilities, or lack of experience and knowledge, unless they have been given supervision or instruction concerning use of the appliance by a person responsible for their safety. Young children should be supervised to ensure that they do not play with the appliance.

**Note:** In EU market, this appliance can be used by children aged from 8 years and above and persons with reduced physical, sensory or mental capabilities or lack of experience and knowledge if they have been given supervision or instruction concerning use of the appliance in a safe way and understand the hazards involved. Children shall not play with the appliance. Cleaning and user maintenance shall not be made by children without supervision.

- Do not operate this, or any other appliance with a damaged cord.  
If the supply cord is damaged, it must be replaced by the manufacturer or its service agent or a similarly qualified person in order to avoid a hazard.  
This ice-maker must be positioned so that the plug is accessible .  
Connect to properly polarized outlets only. No other appliance should be plugged into the same outlet. Be sure that the plug is fully inserted into the receptacle.
- Do not run the power cord over carpeting or other heat insulators. Do not cover the cord. Keep cord away from traffic areas, and do not submerge in water.  
We do not recommend the use of an extension cord, as it may overheat and become a risk of fire. If you must use an extension cord, use 0.75mm<sup>2</sup> minimum size and rated no less than 10A/250V~ with a plug.  
**WARNING:** This appliance must be earthed.
- Unplug the ice maker before cleaning or making any repairs or servicing.
- Exercise caution and use reasonable supervision when appliance is used near children.
- Do not use your ice-maker outdoors. Place the ice-maker away from direct sunlight and make sure that there is at least 15 cm of space between the back of your unit and wall. Keep a minimum distance of 6 inches on each side of your unit free.
- Do not store explosive substances such as aerosol cans with a flammable propellant in this appliance.
- This appliance is intended to be used in household and similar applications such as
  - staff kitchen areas in shops, offices and other working environments;
  - farm houses and by clients in hotels, motels and other residential type environments;
  - bed and breakfast type environments;
  - catering and similar non - retail applications.
- Do not use other liquid to make the ice-cube other than water.
- Do not clean your ice maker with flammable fluids. The fumes can create a fire hazard or explosion.
- Do not tip over. To avoid a hazard due to instability of the appliance, it must be placed at a even or flat surface.

- If the ice maker is brought in from outside in wintertime, give it a few hours to warm up to room temperature before plugging it in.



- **Warning: Risk of fire/flammable materials used.** Please according to local regulations regarding disposal of the appliance for its flammable blowing gas. Before you scrap the appliance, please take off the doors to prevent children trapped.
- **WARNING:** Keep ventilation openings, in the appliance enclosure or in the built-in structure, clear of obstruction.
- **WARNING:** Do not damage the refrigerant circuit.
- **WARNING:** Do not use mechanical devices or other means to accelerate the defrosting process or ice harvesting process, other than those recommended by the manufacturer.
- **WARNING:** Do not use other type of electrical appliances inside the ice-maker.
- **WARNING:** When positioning the appliance, ensure the supply cord is not trapped or damaged.
- **WARNING:** Do not locate multiple portable socket-outlets or portable power supplies at the rear of the appliance.

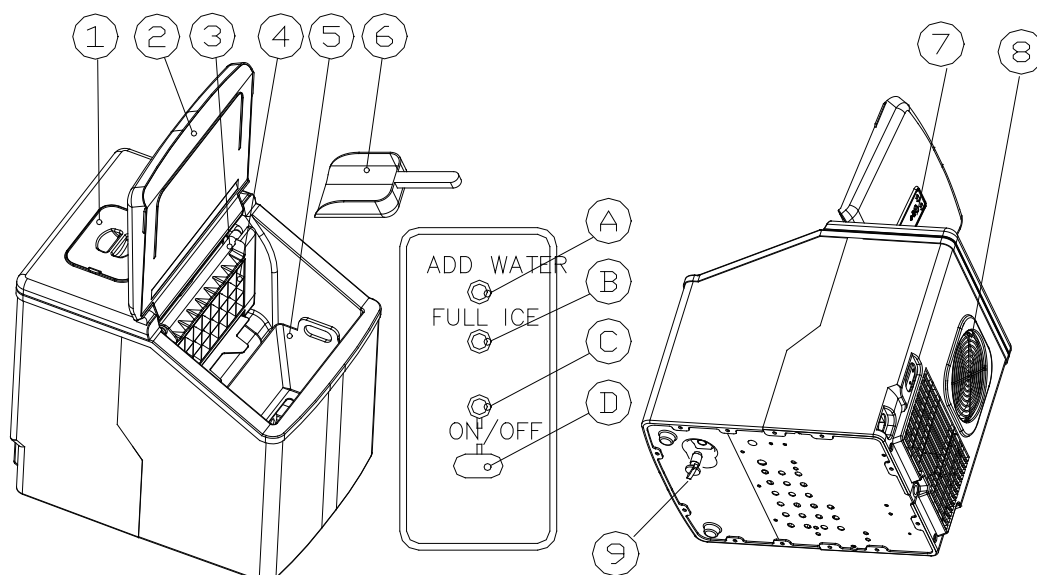
**IMPORTANT:**

The wires in this mains lead are colored in accordance with the following code:

Green and yellow:	Grounding
Blue:	Neutral
Brown:	Live

## GETTING TO KNOW YOUR UNIT

1. Cover for water reservoir
2. Unit up cover
3. Water separator pipe
4. Evaporator
5. Ice basket
6. Ice scoop
7. Control Panel: Easy to use, visible functions touch display setting.
  - A. No water in the water reservoir displaying.
  - B. Ice-Full displaying.
  - C. Power indicator
  - D. Button to turn on/off the unit.
8. Hot Air Outlet
9. Water draining port: To draining out the water from unit.



## OPERATING PROCEDURES & MAINTENANCE

### UNPACKING YOUR ICE MAKER

1. Remove the exterior and interior packaging. Check that ice basket and ice scoop is included. If any parts are missing, please contact our customer service.
2. Clean the interior with lukewarm water and a soft cloth. Take out the ice basket and clean it
3. Find a location for your ice maker that is protected from direct sunlight and other sources of heat (i.e.: stove, furnace, radiator). Place the ice maker on a level surface. Make sure that there is at least 6 inches of space between the back and sides of your ice maker and the wall.
4. Allow one hour for the refrigerant fluid to settle before plugging ice maker in.
5. The appliance must be positioned so that the plug is accessible.

**WARNING:** fill with potable water only.

## CONNECTING YOUR ICE MAKER

### DANGER

**\* Improper use of the grounded plug can result in the risk of electrical shock. If the power cord is damaged please call our customer service.**

1. This unit should be properly grounded for your safety. The power cord of this appliance is equipped with a grounding plug which mates with standard grounding wall outlets to minimize the possibility of electric shock.
2. Plug your appliance into an exclusive, properly installed, grounding wall outlet. Do not under any circumstances, damage the grounding means of the plug under any circumstances. Any questions concerning power and/or grounding should be directed toward a certified electrician.
3. This appliance requires a standard 220-240Volt, 50Hz electrical outlet with good grounding means.

## CLEANING AND MAINTAINING YOUR ICE MAKER

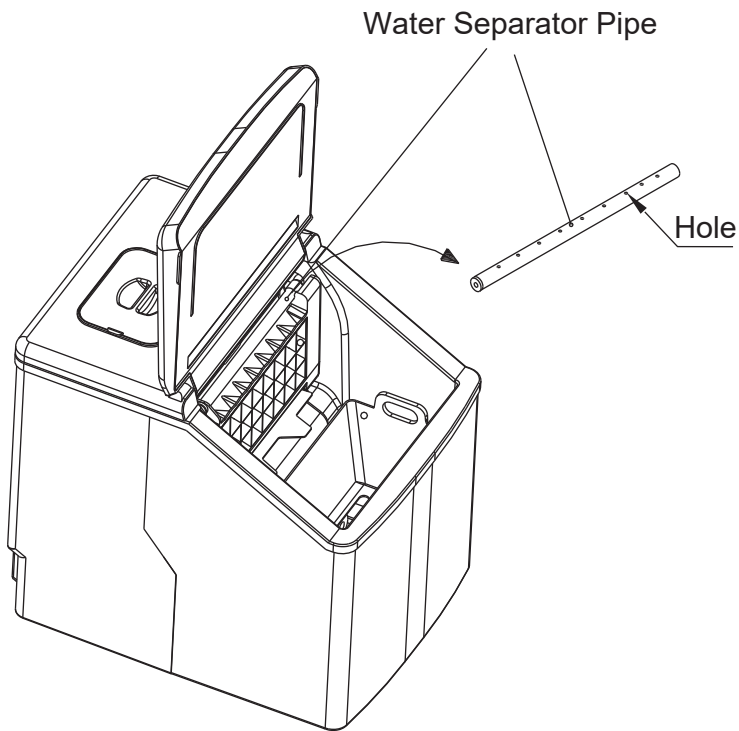
**Before using your ice maker, it is strongly recommended to clean it thoroughly.**

1. Always unplug the ice maker before servicing.
2. Take out the ice basket.
3. Clean the interior with diluted detergent, warm water and a soft cloth.
4. Then use the water to rinse the inside parts, and drain out the water from the draining port by unplugging the drain cap on the back.
5. The outside of the ice maker should be cleaned regularly with a mild detergent solution and warm water.
6. Dry the interior and exterior with a soft cloth.
7. When the machine is not in use for a long time, open the water drain cap to drain water completely out from the water reservoir.

**After using your ice maker for a long time, we also suggest you should clean your unit.**

Especially to the water separator pipe and the water filters, you must clean them periodically.

1. If the water separator pipe is blocked and there is no water flowing down when you listen the compressor and the water pump inside are still working, please turn off the unit first and disassemble this pipe down, and clean it. Clean the each hole on the pipe wall displayed in following picture. After cleaning, install back the water separator pipe and be sure the right terminal of the pipe connect to the silicone pipe well and as original.



2. For both of the water tank and the big water reservoir, clean them with diluted detergent, warm water and a soft cloth. Then use the water to rinse the inside, and drain out the water from the draining port by unplugging the drain cap on the back. It will help you keep the unit and ice-cube hygienicly, and also make the unit work normally.
3. When cleaning, if find that the ice cube left on the evaporator and can not be taken out easily, you can turn on the unit to let the unit enter the ice making process, then press "ON/OFF" button for more than 5 seconds to let the unit start ice harvest process to melt the ice cube. It will help you remove the hard ice cube.

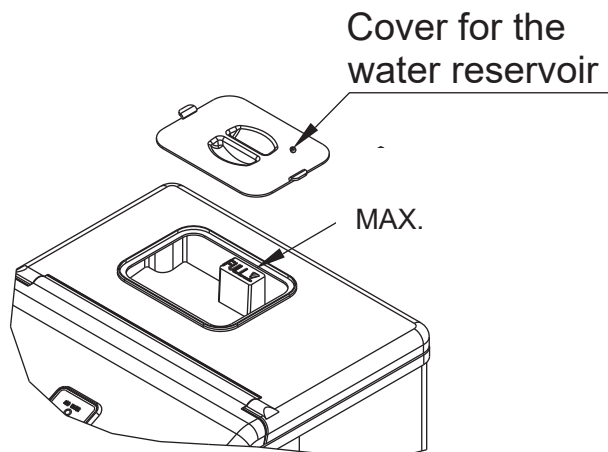
**How to drain out the water from the internal tank and big water reservoir completely**

Because the water in the big water reservoir is stop to drain port by the water valave, if you want to drain away all the water, please plug on the unit and but don't start the unit, then remove the drain port cap at the back. Wait some minutes, all of the water will flow out.



## USING YOUR ICE MAKER

1. Remove the cover of the water reservoir and pour potable water into water reservoir. And be sure to keep water level below the max. level with MAX. mark displayed in following picture. Then move back the cover at once to avoid foreign matter enter.



Warning: Do not pour the water into the internal water tank located underneath the ice basket. This tank is not big enough and will effect the ice making performance.

2. Plug on the main power supply plug. Then press “ON/OFF” button on the control panel to begin the ice making cycle.

**Note:** After you plugging on but not turn on the unit through the “ON/OFF” button, the green power indicator will always be on for 2 seconds, then flash for 3 seconds. But after you turn on the unit by pressing the “ON/OFF” button, the green power indicator will keep on lighting.

3. The ice making cycle lasts about 15 to 30 minutes, depending on the ambient temperature. And for the first time, according to the initial water temperature, ice-making last time will be a little longer. In the extreme hot room temperature, ice-making time maybe vary a lot, but it will not exceed 50 minutes.

**Usefull Inforamtion:** After plugging on the unit, press “ON/OFF” button for more than 5 seconds, then release to start the unit, the unit will add 3 minutes more to each ic-making cycle automatically to thicken the ice cube. So if you desire to thicken your ice-cube, please turn off you unit first, then press “ON/OFF” button again for more than 5 seconds to turn on the unit again.

4. While the ice-maker is on, verify the water level of the internal tank located underneath the ice basket periodically. If there is no enough water to last ice-making cycle, the unit will automatically let the water flow from the big water reservoir downward to the internal tank to continue the ice-making process. If both of the internal water tank and big water reservoir have no enough water,, the ice maker will stop automatically, and the “Add Water” indicator will be on.

Note: Check to be sure that both of water filter located at bottom of big water reservoir and internal water tank are not blocked by the dirty substance or some foreign matter.

Second to fill water up to big water reservoir to the max. water level mark.

After shipping or moving the unit, better to allow the refrigerant liquid inside the compressor at least 3 minutes to settle before restarting.

5. The ice maker automatically stops working when the ice basket is full and the “Full Ice” indicator will be on.
6. Change water in the water reservoir every 24 hours to ensure a reasonable hygiene level. If unit isn't in use for a long time, drain all water left in the water tank and water reservoir.

## TROUBLESHOOTING

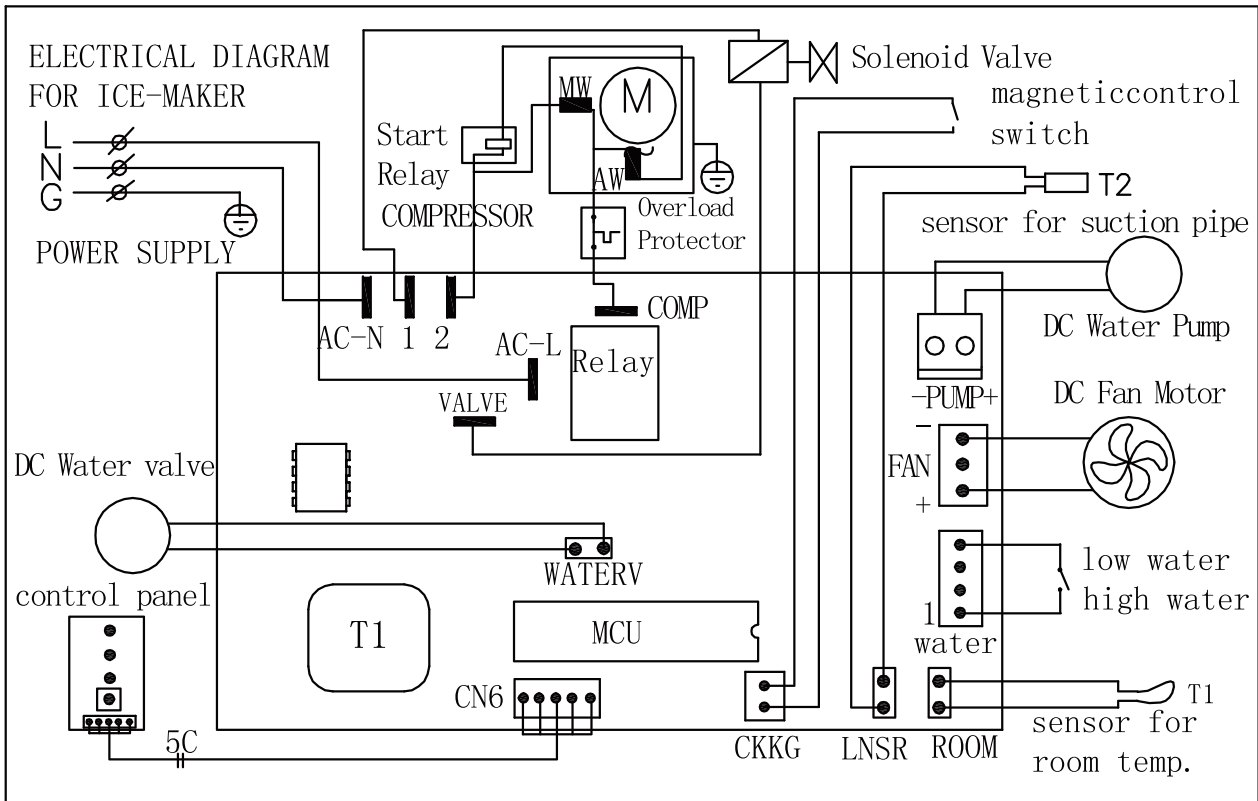
PROBLEM	POSSIBLE CAUSE	SOLUTION
<b>“ ADD WATER”</b> indicator is on.	Lack of Water.	Stop the ice maker, fill water from the top big water reservoir up to MAX. mark, then press “ON/OFF” button again to restart the unit.
<b>“ FULL ICE”</b> indicator is on.	There is too much ice.	Remove ice from ice basket.
<b>The big reservoir full of water, but “ADD WATER” indicator is always on.</b>	The water is distillation water, it is too pure.	Change the water to normal potable water or mineral water.
	The water filter at bottom of the water reservoir is blocked. And water can't enter into the lower water tank.	Clean the water filter.
<b>No water flow out from the water separator pipe.</b>	The hole on the wall of the water separator is blocked.	Use slim wire to prick each hole, till the water can flow out easily.
<b>No water in the unit, but the “ADD WATER” indicator is not on, unit can not make ice cube.</b>	The water is not enough pure. Maybe you have used the salt water or others.	Change to the normal potable water. The salt water is prohibited, it will damage your unit.
	The wall of the lower tank underneath the ice basket is too dirty.	Clean this water tank.
<b>Ice cube is too weak and thin.</b>	The ambient is too hot.	Turn off your unit first, then press “ON/OFF” button again for more than 5 seconds to turn on the unit again. It will lengthen each ice-making cycle time.
<b>Ice making cycle is normal but no ice is made.</b>	Ambient temperature or water temperature in inner tank is too high.	Please run the ice maker below 90°F and pour colder water into tank.
	Refrigerant liquid leakage.	Verify by a qualified technician.
	Pipe in the cooling system is blocked.	Verify by a qualified technician.

# TECHNICAL PARAMETERS & CIRCUIT DIAGRAM


## TECHNICAL PARAMETERS

Model	400162
Protection Type	I
Power	220-240V/50Hz
Ice Making Current	0.8A
Ice Harvest Current	1.0A
Refrigerant	R600a/35g
Net Weight	11Kg
Enclosure	Plastic
Climatic class	SN, N,ST,T
Blowing gas	C <sub>5</sub> H <sub>10</sub>

## CIRCUIT DIAGRAM



## WARRANTY AND DISPOSAL OF THE PRODUCT

Correct Disposal of this product	
	This marking indicates that this product should not be disposed with other household wastes throughout the EU. To prevent possible harm to the environment or human health from uncontrolled waste disposal, recycle it responsibly to promote the sustainable reuse of material resources. To return your used device, please use the return and collection systems or contact the retailer where the product was purchased. They can take this product for environmental safe recycling.

**Note:** Blowing gas inside the unit is flammable, disposal of these material shall be in accordance with national regulations.

### Warranty Information

The manufacturer provides warranty in accordance with the legislation of the customer's own country of residence, with a minimum of 1 year (Germany: 2 years), starting from the date on which the appliance is sold to the end user.

The warranty only covers defects in material or workmanship.

The repairs under warranty may only be carried out by an authorized service centre. When making a claim under the warranty, the original bill of purchase (with purchase date) must be submitted.

The warranty will not apply in cases of:

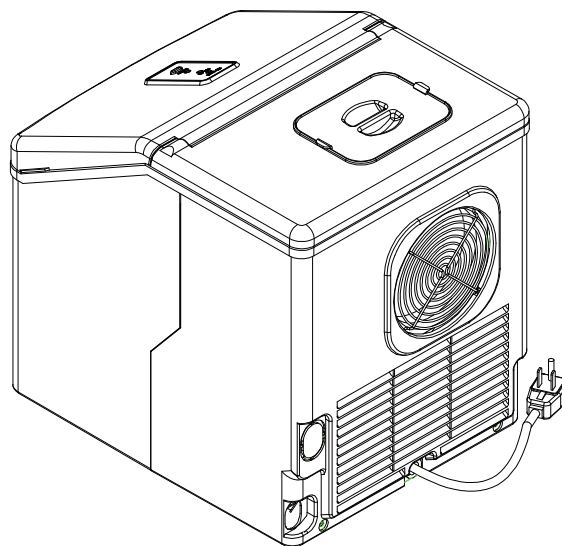
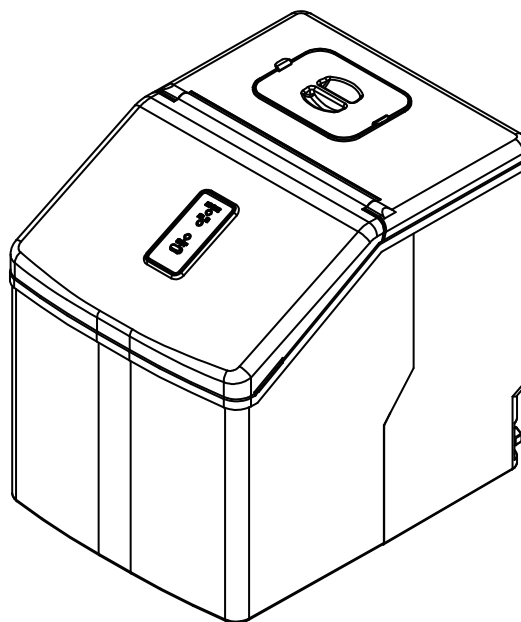
- Normal wear and tear
- Incorrect use, e.g. overloading of the appliance, use of non-approved accessories
- Use of force, damage caused by external influences
- Damage caused by non-observance of the user manual, e.g. connection to an unsuitable mains supply or non-compliance with the installation instructions
- Partially or completely dismantled appliances

Ansprechpartner UK  
TecTake Ltd  
18 Soho Square  
London W1D 3QL  
United Kingdom  
Telephone: +44 203 488 4565  
mail@tectake.co.uk

# GEBRAUCHSANWEISUNG

## *EISWÜRFELBEREITER*

**Modell No.:400162**



# INHALTSÜBERSICHT

<b>WICHTIGE SICHERHEITSANWEISUNGEN</b> .....	2
<b>PREPARING YOUR ICE MAKER FOR USE</b> .....	3
IMPORTANT SAFETY TIPS .....	3
<b>MACHEN SIE SICH MIT DEM GERÄT VERTRAUT</b> .....	5
<b>BEDIENUNG &amp; WARTUNG</b> .....	5
GERÄT AUSPACKEN .....	5
ANSCHLIESSEN DES GERÄTES .....	6
<b>INBETRIEBNAHME IHRE S EISWÜRFELBEREITERS</b> .....	8
FEHLERBEHEBUNG .....	10
<b>TECHNISCHE DATEN &amp; SCHALTPLAN</b> .....	11
TECHNISCHE DATEN .....	11
SCHALTPLAN .....	11
<b>GARANTIE UND ENTSORGUNG DIESES PRODUKTES</b> .....	12
<b>GARANTIEERKLÄRUNG</b> .....	13

## WICHTIGE SICHERHEITSANWEISUNGEN

### **Ihre Sicherheit und die Sicherheit von anderen hat Vorrang.**

Wir haben viele wichtige Sicherheitshinweise in dieser Bedienungsanleitung und auf Ihrem Gerät verwendet. Bitte lesen und befolgen Sie alle Sicherheitshinweise.

Dies ist das Sicherheits-Warnsymbol:



Alle Sicherheitshinweise folgen auf dieses Sicherheits-Warnkennzeichen und auf die Worte „GEFAHR“ oder „WARNUNG“.

 **GEFAHR**

 **WARNUNG**

Diese Worte bedeuten:

**Sie können schwere Verletzungen erleiden oder sich sogar in Lebensgefahr begeben, wenn Sie die Anweisungen nicht umgehend befolgen.**

Alle Sicherheitshinweise erklären Ihnen welche potenzielle Gefahr besteht, wie die Gefahr einer Verletzung reduziert wird, und was geschehen kann, wenn Sie die Anweisungen nicht befolgen.

## Eiswürfelmaschine für den Gebrauch vorbereiten

### Wichtige Sicherheitstipps

Bei der Verwendung von Elektrogeräten sollten grundlegende Sicherheitsvorkehrungen getroffen werden, um die Gefahr von Bränden, Stromschlägen und Verletzungen von Personen oder Sachen zu verringern. Lesen Sie alle Anweisungen, bevor Sie ein Gerät benutzen.

- Dieses Gerät darf nicht von Personen (einschließlich Kindern) mit eingeschränkten physischen, sensorischen oder geistigen Fähigkeiten oder mangels Erfahrung und mangels Wissen benutzt werden, es sei denn, sie werden durch eine für ihre Sicherheit zuständige Person beaufsichtigt oder erhalten von ihr Anweisungen, wie das Gerät zu benutzen ist. Kleine Kinder sollten beaufsichtigt werden, um sicherzustellen, dass sie nicht mit dem Gerät spielen

Hinweis: Auf dem EU-Markt kann dieses Gerät von Kindern ab 8 Jahren und Personen mit eingeschränkten körperlichen, sensorischen oder geistigen Fähigkeiten oder mangelnder Erfahrung und Kenntnis verwendet werden, wenn sie beaufsichtigt oder in die sichere Verwendung des Geräts eingewiesen wurden und die damit verbundenen Gefahren verstehen. Kinder dürfen nicht mit dem Gerät spielen. Die Reinigung und die Wartung durch den Benutzer darf nicht von Kindern ohne Aufsicht durchgeführt werden.

- Betreiben Sie dieses oder ein anderes Gerät nicht mit einem beschädigten Kabel.  
Wenn das Netzkabel beschädigt ist, muss es durch den Hersteller oder seinen Kundendienst oder eine ähnlich qualifizierte Person ersetzt werden, um eine Gefährdung zu vermeiden.  
Die Eiswürfelmaschine muss so aufgestellt werden, dass der Stecker zugänglich ist.  
Schließen Sie das Gerät nur an ordnungsgemäß gepolte Steckdosen an. Kein anderes Gerät darf an dieselbe Steckdose angeschlossen werden.  
Achten Sie darauf, dass der Stecker vollständig in die Steckdose eingesteckt ist.
- Verwenden Sie das Netzkabel nicht auf Teppichböden oder anderen entflammbar Materialien. Die Verwendung eines Verlängerungskabels wird nicht empfohlen, da es sich überhitzen und ein Brandrisiko darstellen kann. Wenn Sie ein Verlängerungskabel verwenden müssen, verwenden Sie ein Kabel mit einem Mindestquerschnitt von 0,75 mm<sup>2</sup> und einem Nennwert von mindestens 10 A/250 V~ mit einem Stecker.  
**WARNING:** Das Gerät muss geerdet sein.
- Ziehen Sie den Stecker der Eiswürfelmaschine aus der Steckdose, bevor Sie sie reinigen oder Reparaturen und Wartungsarbeiten durchführen.
- Seien Sie vorsichtig und lassen Sie das Gerät angemessen beaufsichtigen, wenn es in der Nähe von Kindern verwendet wird.
- Verwenden Sie die Eiswürfelmaschine nicht im Freien. Stellen Sie die Eiswürfelmaschine nicht in direktem Sonnenlicht auf und achten Sie darauf, dass zwischen der Rückseite des Geräts und der Wand ein Abstand von mindestens 15 cm besteht. Halten Sie auf jeder Seite Ihres Geräts einen Mindestabstand von 6 Zoll (ca. 15 cm) frei.
- Bewahren Sie keine explosiven Stoffe wie Spraydosen mit brennbarem Treibmittel in diesem Gerät auf.
- Dieses Gerät ist für die Verwendung in Haushalten und ähnlichen Bereichen vorgesehen, wie z. B.

- in Personalküchen in Geschäften, Büros und anderen Arbeitsumgebungen;
- in Bauernhöfen und von Kunden in Hotels, Motels und anderen Wohnbereichen;
- in Bed & Breakfast-Bereichen;
- im Catering und ähnlichen Bereichen außerhalb des Einzelhandels.

- Verwenden Sie zur Herstellung der Eiswürfel keine andere Flüssigkeit als Wasser.
- Reinigen Sie Ihre Eiswürfelmaschine nicht mit brennbaren Flüssigkeiten. Die Dämpfe können eine Brand- oder Explosionsgefahr darstellen.
- Nicht umkippen. Um eine Gefährdung durch Instabilität des Geräts zu vermeiden,



muss es auf einer ebenen oder flachen Fläche aufgestellt werden.

- Wenn die Eiswürfelmaschine im Winter von draußen ins Haus gebracht wird, lassen Sie ihn ein paar Stunden auf Raumtemperatur aufwärmen, bevor Sie ihn anschließen.



- **ACHTUNG: Feuer Gefahr falls entflammbare Materialien benützt werden.**

Entsorgung: Gerät niemals selbst entsorgen oder den Kältekreislauf selbst öffnen. Bitte beachten dass das Gerät ordnungsgemäß über offizielle und lokale zugelassenen Recycling- / Entsorgungsfirmen entsorgen lassen. Das Gerät ist ein Kühlaggregat und muss gemäß lokalen Vorschriften entsorgt werden

- **ACHTUNG:** Halten Sie die Luft- Ein und Austrittsöffnungen frei von Gegenständen oder Blockaden.
- **ACHTUNG:** Arbeiten Sie niemals am Kühlkreislaufaggregat selbst.
- **ACHTUNG:** Verwenden Sie niemals metallische, scharfe Gegenstände oder Werkzeuge um den **DEFROST** Prozess bzw. die **Eiswürfelauflösung** Prozess zu beschleunigen. Benutzen Sie dafür nur die Werkzeuge die vom Hersteller vorgeschrieben sind.
- **ACHTUNG:** Halten Sie das Gerät fern von anderen elektrischen Geräten und Apparaten.
- **ACHTUNG:** Das Gerät darf nur an elektrischen Steckdosen mit Erdung angeschlossen werden.
- **ACHTUNG: NETZKABELANSCHLUSS:**
- **ACHTUNG:** Achten Sie bei der Aufstellung des Geräts darauf, dass das Netzkabel nicht eingeklemmt oder beschädigt wird.
- **ACHTUNG:** Platzieren Sie keine Steckdosenleiste oder tragbare Powerstationen an der Rückseite des des Geräts.

### WICHTIG

Die Leitungsdrähte in diesem Anschlusskabel sind in Übereinstimmung mit folgendem Farbcode gekennzeichnet:

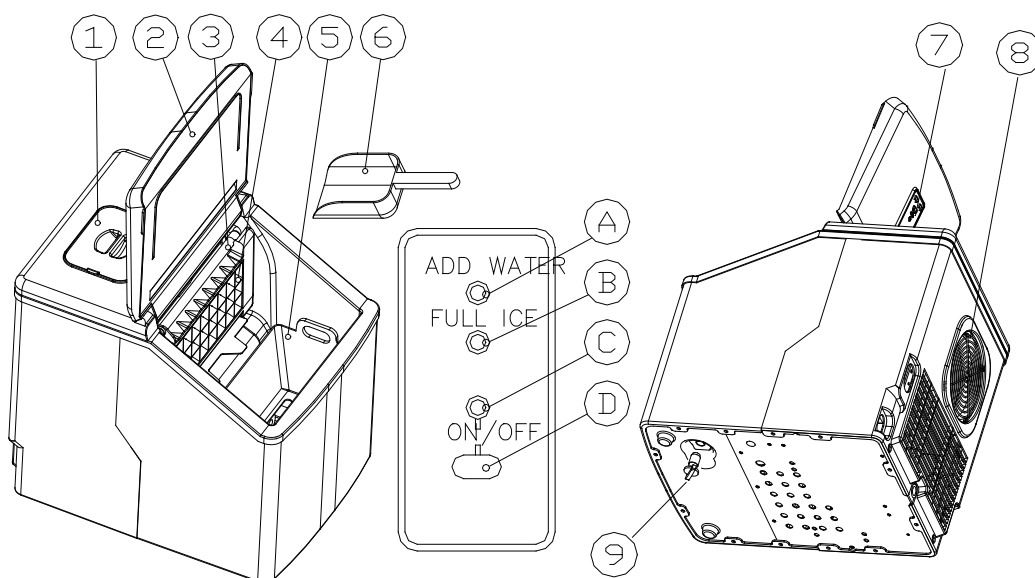
Grün und gelb:	Erdleiter
Blau:	Neutral
Braun:	Spannung führend

- Dieses Gerät ist nicht dafür bestimmt, durch Personen (einschließlich Kinder) mit eingeschränkten physischen, sensorischen oder geistigen Fähigkeiten oder mangels Erfahrung und/oder mangels Wissen benutzt zu werden, es sei denn, sie werden durch eine für ihre Sicherheit zuständige Person beaufsichtigt oder erhalten von ihr Anweisungen, wie das Gerät zu benutzen ist.
- Kinder sollten beaufsichtigt werden, um sicherzustellen, dass sie nicht mit dem Gerät spielen.
- Das brennbare Aufschäummittel, das in diesem Gerät verwendet wird, erfordert spezielle Entsorgungsmaßnahmen, gemäß der örtlichen Vorschriften. Entfernen Sie vor der Verschrottung des Gerätes bitte die Türen, um zu verhindern dass Ihr Eisbereiter zur Kinderfalle wird.

In diesem Gerät keine explosionsfähigen Stoffe, wie zum Beispiel Aerosolbehälter mit brennbarem Treibgas, lagern.

## MACHEN SIE SICH MIT DEM GERÄT VERTRAUT

1. Wassertankdeckel
2. Geräteabdeckung
3. Wasserabscheider
4. Verdampfer
5. Eiskorb
6. Eiskelle
7. Bedienfeld: Einfache Nutzung, erkennbare Funktionen durch Touch Display Bedienung.
  - A. Wassermangel-Anzeige.
  - B. Eiskorb Voll-Anzeige.
  - C. Betriebskontrollanzeige
  - D. Ein/Aus Taste.
8. Abluftöffnung für Warmluft
9. Wasserablassöffnung: Dient dem Ablass des Wassers aus dem Gerät.



## BEDIENUNG & WARTUNG

### GERÄT AUSPACKEN

1. Entfernen Sie das äußere und innere Verpackungsmaterial. Überprüfen Sie, ob Eiskelle und Eiskorb im Lieferumfang enthalten sind. Falls irgendwelche Teile fehlen sollten, kontaktieren Sie bitte unseren Kundendienst.
2. Reinigen Sie das Geräteinnere mit lauwarmen Wasser und einem weichen Tuch. Nehmen Sie den Eiskorb aus dem Gerät und reinigen Sie ihn.
3. Finden Sie für Ihren Eisbereiter einen Standort, der ihn vor direktem Sonnenlicht und anderen Wärmequellen ( wie zum Beispiele Herd, Kessel, Heizung) schützt. Stellen Sie den Eisbereiter auf eine ebene Fläche. Stellen Sie sicher, dass ein Mindestabstand von 15 cm zwischen der Rückseite und den Seitenwänden ihres Eisbereiters und den Wänden vorhanden ist.
4. Erlauben Sie dem Kühlmittel sich eine Stunde zu beruhigen, bevor Sie den Netzstecker einstecken.
5. Das Gerät muss so aufgestellt werden, dass der Stecker zugänglich ist.

**WARNUNG:** Nur mit Trinkwasser befüllen.

## ANSCHLIESSEN DES GERÄTES



## GEFAHR

**\* Unzureichend geerdete Stecker können einen elektrischen Schlag verursachen. Sollte das Anschlusskabel beschädigt sein, wenden Sie sich bitte an unseren Kundendienst.**

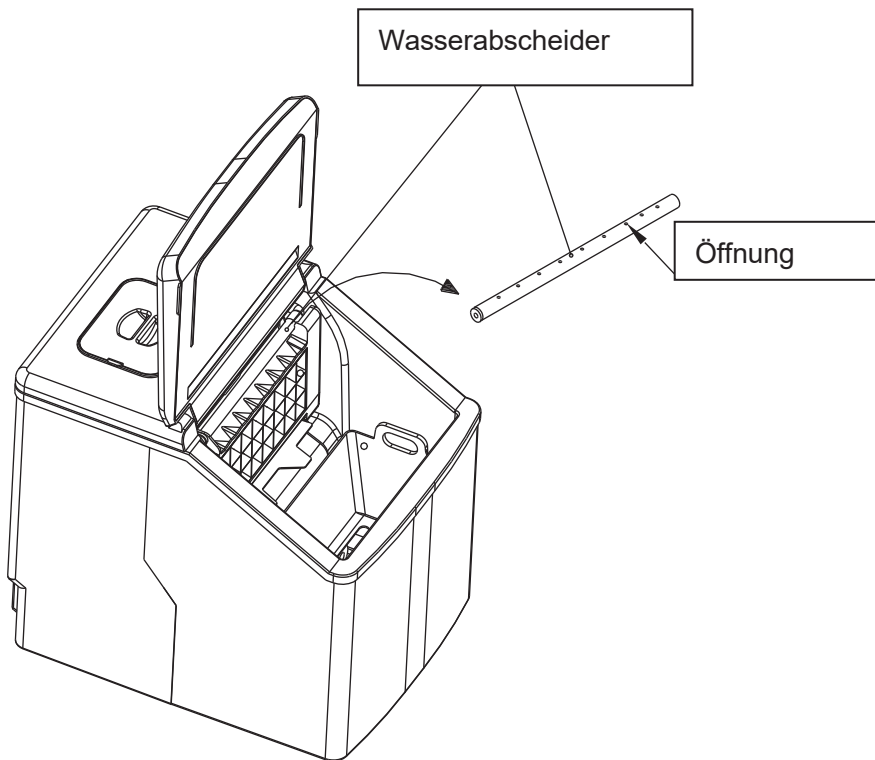
1. Zu Ihrer Sicherheit muss dieses Gerät mit einem Schutzleiter verbunden werden. Das Anschlusskabel ist mit einem Schukostecker ausgestattet der, um das Risiko von elektrischen Schlägen zu verringern, nur in Schutzkontaktsteckdosen passt.
2. Verbinden Sie das Gerät ausschließlich mit einer vorschriftsmäßig installierten und einem Schutzleiter versehenen Steckdose. Versuchen Sie unter keinen Umständen den Schutzleiter des Steckers beschädigt werden. Fragen bzgl. der Stromversorgung oder der Erdung müssen unmittelbar an einen qualifizierten Elektrofachmann gerichtet werden.
3. Der Anschluss an die Stromversorgung muss über eine 220-240Volt, 50Hz führende Schutzkontaktsteckdose erfolgen

**Bevor Sie Ihren Eisbereiter benutzen, wird eine gründliche Reinigung unbedingt empfohlen.**

4. Ziehen Sie den Netzstecker, bevor Sie Wartungsarbeiten am Gerät ausführen.
5. Entnehmen Sie den Eiskorb.
6. Reinigen Sie das Geräteinnere mit einer milden Reinigungslösung, warmem Wasser und einem weichem Tuch.
7. Spülen Sie den Innenraum gut mit klarem Wasser nach und lassen das Wasser ablaufen, indem Sie den Stöpsel der Wasserablauföffnung auf der Rückseite entfernen.
8. Die Außenseite des Eisbereiters sollte regelmäßig mit einer milden Reinigungslösung und warmem Wasser gereinigt werden.
9. Trocknen Sie innere und äußere Flächen mit einem weichen Tuch.
10. Wenn Sie planen das Gerät längere Zeit nicht zu nutzen, öffnen Sie den Wasserablauf und lassen das komplette Wasser aus dem Wassertank ablaufen.

**Sollten Sie das Gerät längere Zeit nicht verwendet haben, muss es vor der erneuten Nutzung erst gereinigt werden.** Insbesondere die Leitung des Wasserabscheiders und die Wasserfilter müssen einer regelmäßigen Reinigung unterzogen werden.

1. Falls die Leitung des Wasserabscheiders blockiert ist, das Wasser nicht abfließen kann und Sie hören, dass Kompressor und Wasserpumpe weiterhin arbeiten, schalten Sie das Gerät bitte aus. Bauen Sie die Leitung aus und reinigen Sie diese. Reinigen Sie bitte jede der Öffnungen in der Leitungswand, wie auf der folgenden Abbildung dargestellt. Installieren Sie die Leitung nach der Reinigung und vergewissern Sie sich, dass die Installation so erfolgt wie ursprünglich vorgesehen.

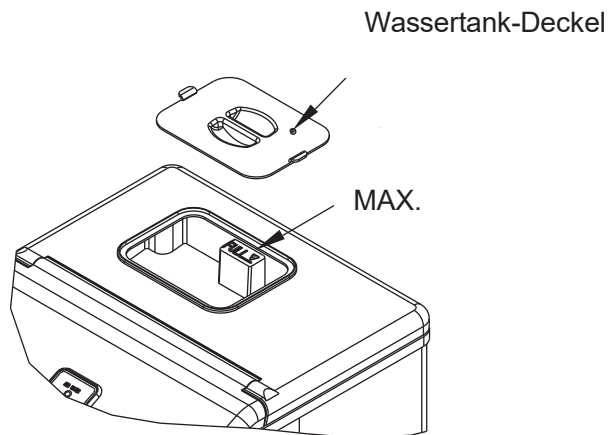


2. Reinigen Sie Wassertank und Behälter mit milder Reinigungslösung, warmem Wasser und einem weichen Tuch. Spülen Sie den Innenraum gut mit klarem Wasser nach und lassen das Wasser ablaufen, indem Sie den Stöpsel der Wasserablauföffnung auf der Rückseite entfernen. So bleiben die erzeugten Eiswürfel hygienisch und das Gerät kann ohne Probleme arbeiten.
3. Wenn Sie bei der Reinigung feststellen, dass Eiswürfel am Verdampfer haften und sich nicht einfach entfernen lassen, kann das Gerät eingeschaltet werden und ein Eisbereitungszyklus in Betrieb gesetzt werden. Halten Sie dann die EIN/AUS Taste länger als 5 Sekunden lang gedrückt. Das Gerät beginnt mit der Eisabgabe und die Eiswürfel tauen. So können die anhaftenden Eiswürfel leichter entfernt werden.

**So lassen Sie Wasser aus dem Wassertank und dem großen Behälter restlos ablaufen:**

Da das Wasser im großen Behälter durch den Verschluss der Ablauföffnung zurückgehalten wird, gehen Sie bitte folgendermaßen vor, wenn Sie das Wasser komplett ablassen möchten. Stecken Sie den Netzstecker ein aber setzen Sie das Gerät nicht in Betrieb. Entfernen Sie dann den Ablaufstöpsel auf der Rückseite. Nach einigen Minuten ist das Wasser vollständig abgelaufen.

- Entfernen Sie den Deckel des Wassertanks und gießen Sie Trinkwasser in den Tank. Wasser darf nicht über den maximalen Füllstand hinaus eingefüllt werden. Dieser wird in der folgenden Abbildung durch **MAX.** gekennzeichnet. **Bringen Sie umgehend den Deckel wieder an, um Verunreinigungen zu vermeiden.**



**Warnung: Gießen Sie kein Wasser in den internen Wassertank, der sich unterhalb des Eiskorbs befindet. Dieser Tank ist nicht groß genug und der Eisierungsprozess wird beeinträchtigt.**

- Stecken Sie den Netzstecker ein. Drücken Sie dann die EIN/AUS Taste auf dem Bedienfeld um die Eisbereitung in Betrieb zu setzen.

**Zu beachten:** Wenn Sie den Netzstecker einstecken, jedoch die EIN/AUS Taste nicht betätigen, leuchtet die grüne Betriebskontroll-Lampe 2 Sekunden lang stetig und blinkt dann für 3 Sekunden. Nachdem Sie das Gerät anhand des EIN/AUS Schalters eingeschaltet haben, leuchtet die grüne Anzeige konstant.

- Das Gerät benötigt zur Eisbereitung etwa 15 bis 30 Minuten, je nach Umgebungstemperatur. Im ersten Eisbereitungszyklus benötigt das Gerät aufgrund der Wassertemperatur etwas länger. In sehr warmen Räumen kann die Eisbereitung lange dauern, jedoch nie länger als 50 Minuten.

**Nützliche Informationen:** Halten Sie nach dem Anschluss an die Stromversorgung die EIN/AUS Taste länger als 5 Sekunden gedrückt und lassen diese dann los um das Gerät in Betrieb zu setzen. Nun werden der Dauer der Eisbereitung automatisch weitere 3 Minuten hinzugefügt und die Eiswürfel werden dicker. Wenn Sie also möchten, dass Ihre Eiswürfel mehr Volumen haben sollen, schalten Sie das Gerät zuerst aus und halten Sie anschließend die EIN/AUS Taste länger als 5 Sekunden gedrückt, um das Gerät wieder einzuschalten.

- Überprüfen Sie während der Nutzung regelmäßig den Füllstand des internen Wassertanks der sich unter dem Eiskorb befindet. Ist nicht ausreichend Wasser für die Eiswürfelerzeugung im internen Tank enthalten, lässt das Gerät automatisch Wasser aus dem großen Wassertank nachfließen, um den Betrieb fortzusetzen. Herrscht in beiden Tanks Wassermangel, stellt das Gerät den Betrieb automatisch ein und die "Wassermangel" Anzeige schaltet sich ein..

Bitte beachten Sie: Überprüfen Sie bitte die beiden am Boden von Wassertank und internem Tank befindlichen Wasserfilter, um sicher zu gehen, dass diese nicht mit Schmutz oder Fremdmaterial zugesetzt sind.

Befüllen Sie anschließend den großen Wassertank bis zur maximalen Füllhöhe mit Trinkwasser.

Erlauben Sie dem Kältemittel im Kompressor, nachdem das Gerät transportiert oder umgesetzt wurde, mindestens 3 Minuten sich zu beruhigen bevor Sie das Gerät erneut starten.

5. Der Eisbereiter stellt automatisch den Betrieb ein wenn der Eiskorb voll ist. Das "EISKORB VOLL " Symbol erscheint auf dem Display.
6. Wechseln Sie das Wasser im Wasserbehälter alle 24 Stunden um ein angemessenes Maß an Hygiene zu erhalten. Wenn das Gerät nicht benutzt wird, lassen Sie bitte das gesamte Wasser aus dem Tank ab.

## FEHLERBEHEBUNG

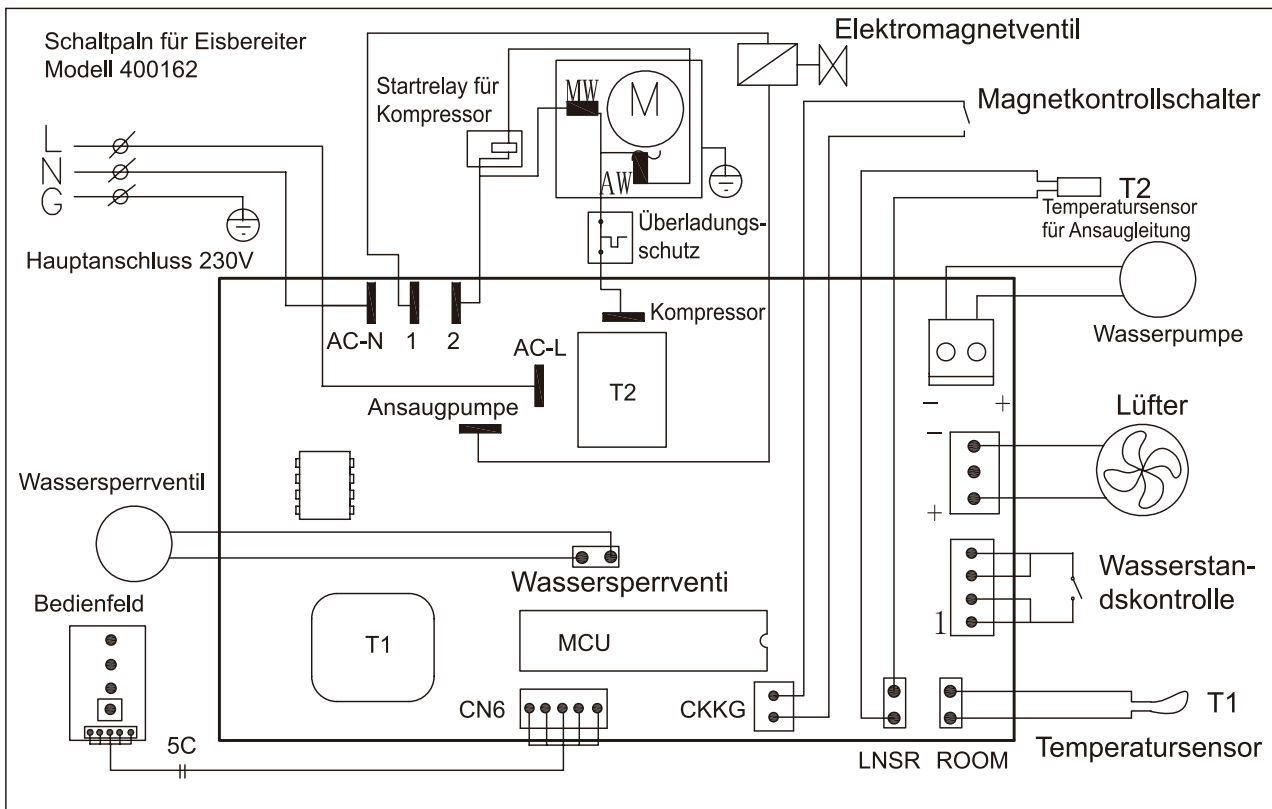
STÖRUNG	MÖGLICHE URSACHE	ABHILFE
<b>“WASSERMANGEL” Anzeige schaltet sich ein.</b>	Wassermangel.	Schalten Sie das Gerät aus. Füllen Sie Wasser bis zur Markierung für den Höchstfüllstand „MAX.“ in den oberen großen Wassertank. Gerät anhand der EIN/AUS Taste erneut in Betrieb nehmen.
<b>“EISKORB VOLL” Anzeige schaltet sich ein</b>	Zuviel Eis im Gerät.	Leeren Sie den Eiskorb.
<b>Der große Wassertank ist mit Wasser gefüllt, aber das Wassermangel Symbol wird ständig angezeigt.</b>	Sie haben destilliertes Wasser verwendet. Dieses ist zu rein.	Verwenden Sie normales Trinkwasser oder Mineralwasser.
	Wasserfilter am Boden des Tanks ist zugesetzt. Wasser kann nicht in den unteren Tank abfließen	Wasserfilter reinigen.
<b>Kein Wasser fließt aus dem Wasserabscheider..</b>	Die Öffnungen im Wasserabscheider sind verlegt.	Löcher mit einem dünnen Draht einstechen, bis das Wasser wieder hindurchgelangt.
<b>Kein Wasser im Gerät, aber das “ Wassermangel ” Symbol wird nicht angezeigt. Das Gerät kann keine Eiswürfel erzeugen</b>	Das Wasser ist nicht rein genug. Evtl. Haben Sie Salzwasser o.ä. benutzt.	Verwenden Sie normales Trinkwasser. Salzwasser ist verboten, da es zur Beschädigung des Gerätes führt.
	Die Wände des unteren Tanks sind verschmutzt.	Reinigen Sie diesen Tank.
<b>Eiswürfel werden zu dünn und leicht.</b>	Umgebungstemperatur zu hoch.	Gerät erst ausschalten. EIN/AUS Taste länger als 5 Sek. Gedrückt halten und Gerät einschalten. Der Eisbereitungsvorgang wird verlängert.
<b>Eisbereitungsvorgang erscheint normal, aber kein Eis wird erzeugt.</b>	Temperatur der Umgebung oder des Wassers im internen Tank zu hoch.	Raumtemperatur unter 32°C halten und kälteres Wasser in den Tank füllen.
	Kühlmittel läuft aus.	Wenden Sie sich an einen qualifizierten Techniker.
	Rohr im Kühlsystem blockiert.	Wenden Sie sich an einen qualifizierten Techniker .

# TECHNISCHE DATEN & SCHALTPLAN

## TECHNISCHE DATEN

Modell	400162
Schutzklasse	I
Stromversorgung	220-240V/50Hz
Strom Eiserzeugung	0,8A
Strom Enteisung	1,0A
Kältemittel	R600a/35g
Nettogewicht	11Kg
Gehäuse	Kunststoff
Klimaklasse	SN, N, ST,T
Treibgas	C <sub>5</sub> H <sub>10</sub>

## SCHALTPLAN





### Korrekte Entsorgung dieses Produkts



Innerhalb der EU weist dieses Symbol darauf hin, dass dieses Produkt nicht über den Hausmüll entsorgt werden darf. Altgeräte enthalten wertvolle recyclingfähige Materialien, die einer Wiederverwertung zugeführt werden sollten, um der Umwelt bzw. der menschlichen Gesundheit nicht durch unkontrollierte Müllbeseitigung zu schaden. Bitte entsorgen Sie Altgeräte deshalb über geeignete Sammelsysteme oder senden Sie das Gerät zur Entsorgung an die Stelle, bei der Sie es gekauft haben. Diese wird dann das Gerät der stofflichen Verwertung zuführen

### Garantieerklärung

Unbeschadet der gesetzlichen Gewährleistungsansprüche gewährt der Hersteller eine Garantie gemäß den Gesetzen Ihres Landes, mindestens jedoch 1 Jahr (in Deutschland 2 Jahre). Garantiebeginn ist das Verkaufsdatum des Gerätes an den Endverbraucher.

Die Garantie erstreckt sich ausschließlich auf Mängel, die auf Material- oder Herstellungsfehler zurückzuführen sind.

Garantiereparaturen dürfen ausschließlich von einem autorisierten Kundendienst durchgeführt werden. Um Ihren Garantieanspruch geltend zu machen ist der Original-Verkaufsbeleg (mit Verkaufsdatum) beizufügen.

Von der Garantie ausgeschlossen sind:

- Normaler Verschleiß
- Unsachgemäße Anwendungen, wie z.B. Überlastung des Gerätes, nicht zugelassene Zubehörteile
- Beschädigung durch Fremdeinwirkungen, Gewaltanwendung oder durch Fremdkörper
- Schäden die durch Nichtbeachtung der Gebrauchsanleitung entstehen, z.B. Anschluss an eine falsche Netzspannung oder Nichtbeachtung der Montageanleitung
- Komplett oder teilweise demontierte Geräte

## **GARANTIEERKLÄRUNG**

Unbeschadet der gesetzlichen Gewährleistungsansprüche gewährt der Hersteller eine Garantie gemäß den Gesetzen Ihres Landes, mindestens jedoch 1 Jahr (in Deutschland 2 Jahre). Garantiebeginn ist das Verkaufsdatum des Gerätes an den Endverbraucher.

Die Garantie erstreckt sich ausschließlich auf Mängel, die auf Materialoder Herstellungsfehler zurückzuführen sind.

Garantiereparaturen dürfen ausschließlich von einem autorisierten Kundendienst durchgeführt werden. Um Ihren Garantieanspruch geltend zu machen ist der Original-Verkaufsbeleg (mit Verkaufsdatum) beizufügen.

Von der Garantie ausgeschlossen sind:

- Normaler Verschleiß
- Unsachgemäße Anwendungen, wie z.B. Überlastung des Gerätes, nicht zugelassene Zubehörteile
- Beschädigung durch Fremdeinwirkungen, Gewaltanwendung oder durch Fremdkörper
- Schäden die durch Nichtbeachtung der Gebrauchsanleitung entstehen, z.B. Anschluss an eine falsche Netzspannung oder Nichtbeachtung der Montageanleitung
- Komplett oder teilweise demontierte Geräte

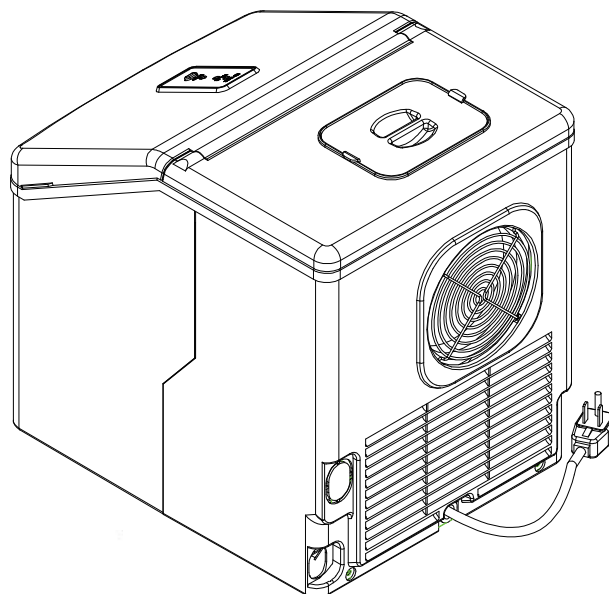
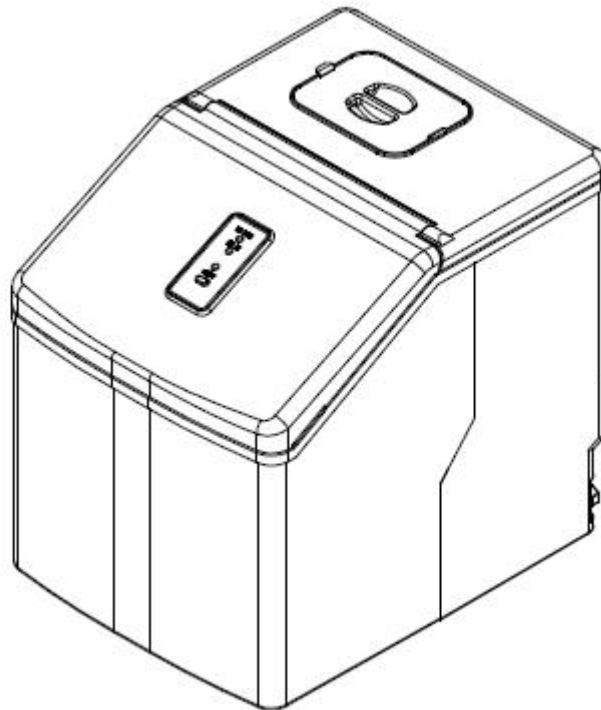
Ansprechpartner DE  
TecTake GmbH  
Tauberweg 41  
97999 Igersheim  
Telefon: +49 7931 991 920  
E-Mail: [verkauf@tectake.de](mailto:verkauf@tectake.de)

FR

# MANUEL D'UTILISATION

## MACHINE À GLAÇONS

### Modell No.:400162



 **tectake**

CE

TRADUCTION DU MODE D'EMPLOI ORIGINAL  
A CONSERVER POUR UNE UTILISATION FUTURE

# TABLE DES MATIÈRES

<b>LES INSTRUCTIONS DE SÉCURITÉ IMPORTANTES</b> .....	2
<b>PRÉPARER VOTRE MACHINE À GLAÇONS POUR L'UTILISER</b> .....	3
LES CONSEILS DE SÉCURITÉ IMPORTANTS	
<b>APPRENDRE À CONNAÎTRE VOTRE UNIT</b> .....	4
<b>PROCÉDURES D'EXPLOITATION ET MAINTENANCE</b> .....	5
DÉBALLER VOTRE MACHINE À GLAÇONS .....	5
CONNECTER VOTRE MACHINE À GLAÇONS .....	6
CLEAN NETTOYER ET ENTRETENIR VOTRE MACHINE À GLAÇONS .....	6
<b>UTILISER VOTRE MACHINE À GLAÇONS</b> .....	8
DÉPANNAGE .....	10
<b>PARAMÈTRES TECHNIQUES ET SCHÉMA DE CIRCUIT</b> .....	11
<b>PROTECTION DEL'ENVIRONNEMENT</b> .....	12

# LES INSTRUCTIONS DE SÉCURITÉ IMPORTANTES

## Votre sécurité et la sécurité des autres sont très important

Nous avons fourni plusieurs manuels de sécurité importants et votre appareil.

Lire et obéir à tous les messages de sécurité, s'il vous plaît

C'est le symbole d'alerte de sécurité :



Tous les messages de sécurité suivront le symbole d'alerte de sécurité et les mots « DANGER » ou « ATTENTION ».

 **DANGER**

 **ATTENTION**

Les sens de ces mots :

**Vous pouvez être tué ou gravement blessé si vous ne suivez pas instructions immédiatement.**

Tous les messages de sécurité vous diront quel est le danger potentiel, comment réduire le risque de blessure et ce qui peut arriver si les instructions ne sont pas suivies.

# PRÉPARER VOTRE MACHINE À GLAÇONS POUR L'UTILISER

## LES CONSEILS DE SÉCURITÉ IMPORTANTS

Lors de l'utilisation d'appareils électriques, des précautions de sécurité élémentaires doivent être respectées afin de réduire les risques d'incendie, d'électrocution et de blessures aux personnes ou aux biens. Lisez toutes les instructions avant d'utiliser un appareil.

- Ne l'utilisez pas, ou tout autre appareil avec un cordon endommagé. Connecter aux prises correctement polarisées uniquement. Aucun autre appareil ne doit être branché sur la même prise. Assurez-vous que la fiche est complètement insérée dans le réceptacle.
- Ne faites pas passer le cordon d'alimentation sur un tapis ou d'autres isolants thermiques. Ne couvrez pas le cordon. Éloignez le cordon des zones de circulation et ne l'immergez pas dans l'eau.
- Nous ne recommandons pas l'utilisation d'une rallonge, car elle pourrait surchauffer et devenir un risque d'incendie. Si vous devez utiliser une rallonge, utilisez une taille minimale de 14 AWG et une puissance d'au moins 1875 watts.
- Débranchez la machine à glaçons avant de la nettoyer ou de la réparer ou de la réparer.
- Faire preuve de prudence et utiliser une surveillance raisonnable lorsque l'appareil est utilisé à proximité d'enfants
- N'utilisez pas votre machine à glaçons à l'extérieur. Placez le fabricant de glace loin de la lumière directe du soleil et assurez-vous qu'il y a au moins 6 pouces d'espace entre l'arrière de votre appareil et le mur. Gardez une distance minimale de 6 pouces de chaque côté de votre appareil libre
- N'utilisez pas d'autre liquide pour faire du glaçon autre que de l'eau.
- Ne nettoyez pas votre machine à glaçons avec des liquides inflammables. Les vapeurs peuvent créer un risque d'incendie ou une explosion.
- Ne pas basculer.
- Si la machine à glaçons est apportée de l'extérieur en hiver, laissez-la quelques heures réchauffer à température ambiante avant de la brancher.
- ATTENTION : Cet appareil doit être mis à la terre.
- DANGER - Risque d'incendie ou d'explosion. Réfrigérant inflammable utilisé. N'utilisez pas d'appareils mécaniques pour dégivrer la machine à glaçons. Ne pas percer le tuyau de réfrigérant.



- **DANGER** - Risque d'incendie ou d'explosion. Réfrigérant inflammable utilisé. Être réparé uniquement par du personnel de service qualifié. Ne pas percer le tuyau de réfrigérant.
- **ATTENTION** - Risque d'incendie ou d'explosion. Réfrigérant inflammable utilisé. Consultez le manuel de réparation / guide du propriétaire avant d'essayer d'installer ou de réparer ce produit. Toutes les précautions de sécurité doivent être suivies.
- **ATTENTION** - Risque d'incendie ou d'explosion. Disposer des biens conformément à la réglementation fédérale ou locale. Réfrigérant inflammable utilisé.
- **ATTENTION** - risque d'incendie ou d'explosion en raison de la perforation de la tubulure de réfrigérant, suivre attentivement les instructions de manipulation. Réfrigérant inflammable utilisé.
- La machine à glaçons doit être installée conformément à la norme de sécurité pour les systèmes de réfrigération, ASHRAE15. La machine à glaçons ne doit pas être installée dans les couloirs ou les couloirs des bâtiments publics.
- Si l'unité doit être entretenue, son remplacement par des composants similaires et son entretien doivent être effectués par du personnel de service autorisé par l'usine, afin de minimiser le risque d'inflammation due à des pièces incorrectes ou à un mauvais entretien.
- Lorsque vous positionnez la machine, veillez à ce que le cordon d'alimentation ne soit pas coincé ou endommagé.
- Ne pas brancher le produit sur une multiprise qui est-elle même reliée à une autre multiprise ou sur une alimentation portable.

### **IMPORTANT :**

Les fils de ce câble d'alimentation sont colorés conformément au code suivant :

Le vert ou le vert avec une bande jaune : Terre

Le blanc : Neutre

Le noir : Phase

Pour éviter tout risque dû à l'instabilité de l'appareil, il doit être placé sur une surface plane ou plane.

## **APPRENDRE À CONNAÎTRE VOTRE UNITÉ**

1. Couvercle du réservoir d'eau
2. Couvercle de la machine
3. Tuyau d'arrosage
4. Évaporateur
5. Panier à glaçons
6. Pelle à glaçons

7. Panneau de contrôle: Facile à utiliser, fonctions visibles à travers l'écran d'affichage tactile.

A. Détecteur de niveau d'eau pour l'ajout d'eau.

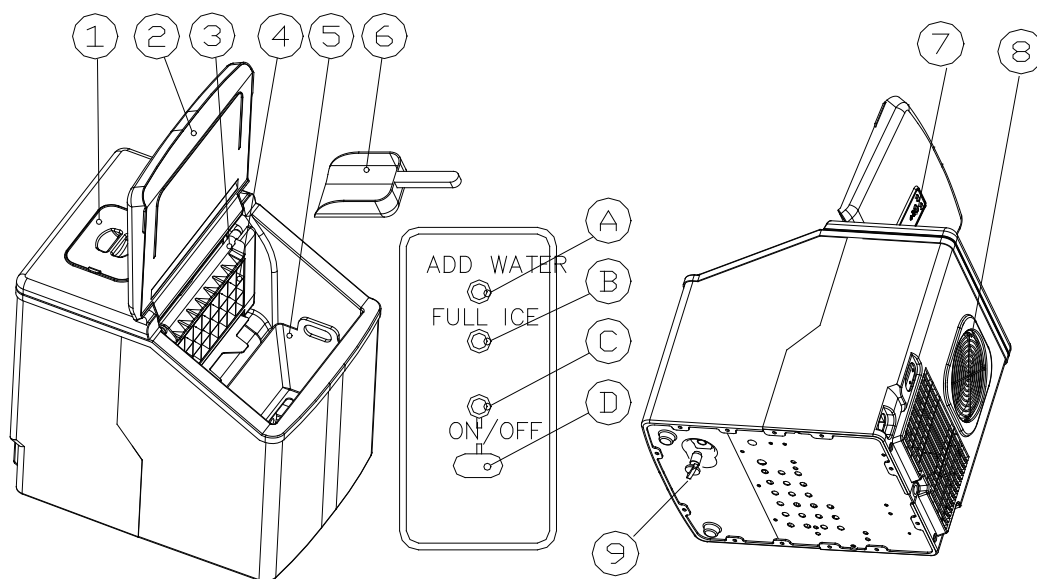
B. Bac à glaçons plein.

C. Témoin d'alimentation

D. Bouton pour démarrer/arrêter la machine.

8. Sortie d'air chaud

9. Bouchon de vidange d'eau: pour la vidange d'eau de la machine



## PROCÉDURES OPÉRATIONNELLES & ENTRETIEN

### DÉBALLAGE DE VOTRE MACHINE À GLAÇONS

1. Retirez l'emballage intérieur et extérieur. Vérifiez que le panier à glaçons et la pelle à glaçons sont inclus. Si quelques pièces sont manquantes, veuillez contacter notre service client.
2. Nettoyez l'intérieur de la machine avec de l'eau tiède et un chiffon doux. Enlevez le panier à glaçons et nettoyez-le.
3. Trouvez un lieu propre pour votre machine à glaçons et mettez-la à l'abri de la lumière solaire directe ou d'autres sources de chaleur (p.ex.: cuisinière, four, radiateur). Placez la machine à glaçons sur une surface plane. Assurez-vous de maintenir une distance minimale de 15 cm parmi la partie arrière et les latéraux de la machine et le mur.
4. Attendez une heure pour que le fluide frigorigène se dépose, avant de brancher la machine à glaçons.
5. La prise doit être positionnée de façon qu'elle soit accessible.

AVERTISSEMENT: N'utilisez que de l'eau potable



## CONNECTER VOTRE MACHINE À GLAÇONS



### DANGER

**\* Une utilisation incorrecte de la prise de terre peut provoquer un choc électrique. Si le câble d'alimentation est endommagé, veuillez appeler notre service client.**

1. Cette machine doit être plaquée proprement au sol pour votre sécurité. Le câble d'alimentation de cet appareil est pourvu d'une prise de terre, laquelle est compatible avec une prise murale de mise à la terre standard pour minimiser les possibilités d'un choc électrique.
2. Branchez votre appareil sur une prise murale de prise à la terre exclusive et proprement installée. N'utilisez en aucune circonstance un câble d'alimentation endommagé. Si vous avez des questions concernant l'alimentation et/ou la fiche de terre, veuillez contacter un électricien qualifié.
3. Cet appareil requiert un voltage standard de 220-240 V et une prise de courant de 50Hz avec une mise à la terre.

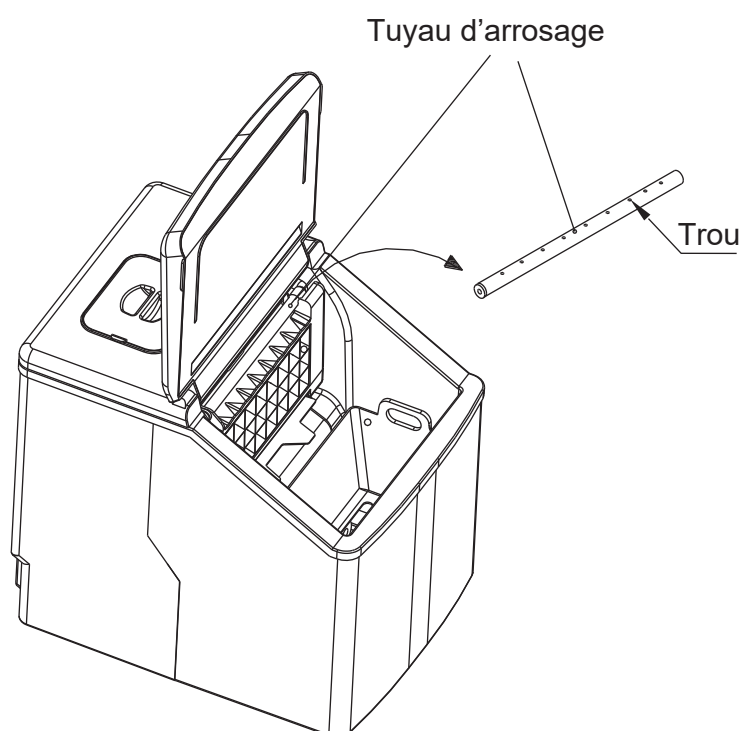
## NETTOYER ET ENTRETENIR VOTRE MACHINE À GLAÇONS

**Avant l'utilisation de votre machine à glaçons, il est fortement recommandé de la nettoyer soigneusement.**

1. Débranchez toujours la machine à glaçons avant l'entretien.
2. Enlevez le panier à glaçons.
3. Nettoyez l'intérieur de la machine avec un détergent dilué, de l'eau tiède et un chiffon doux.
4. Après avoir rincé les pièces intérieures, vidangez l'eau en débouchant le bouchon de vidange d'eau de la partie arrière de la machine.
5. Veuillez nettoyer régulièrement l'extérieur de la machine à glaçons avec une solution détergente douce et de l'eau tiède.
6. Séchez l'intérieur et l'extérieur avec un chiffon doux.
7. Quand la machine n'est pas utilisée depuis longtemps, veuillez ouvrir le couvercle du bouchon de vidange d'eau pour vider complètement l'eau du réservoir d'eau.

**Après l'utilisation de votre machine à glaçons depuis longtemps, nous vous recommandons également le nettoyage de la machine.**

1. Si le tuyau d'arrosage est obstrué et il n'y a pas de l'eau qui coule quand vous écoutez le compresseur, et la pompe à eau de l'intérieur continue à fonctionner, veuillez d'abord arrêter l'appareil et après désassembler ce tuyau et le nettoyer. Nettoyez chaque trou du tuyau suivant l'illustration ci-dessous. Après le nettoyage, installez de nouveau le tuyau d'arrosage et assurez-vous que le montage a été effectué correctement et que la borne du tuyau est bien raccordée au tuyau en silicone, et qu'il n'y a pas de fuite.



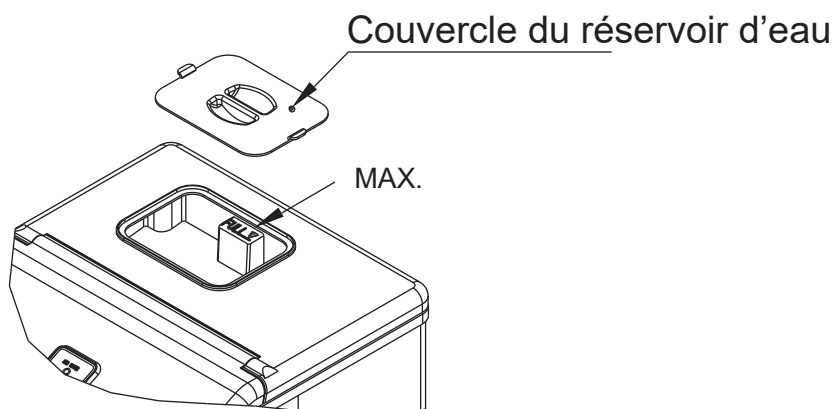
2. Nettoyez le réservoir d'eau et le grand réservoir d'eau avec du détergent dilué, de l'eau tiède et un chiffon doux. Utilisez ensuite de l'eau pour rincer l'intérieur et vidangez l'eau de l'orifice de vidange en le débouchant dans la partie arrière de l'appareil. Cela vous aidera à maintenir l'hygiène de la machine et des glaçons, et aussi à faire marcher l'appareil correctement.
3. Au moment où vous procédez au nettoyage, veuillez observer si les glaçons restent placés contre l'évaporateur et sont difficiles à enlever; dans ce cas, démarrez l'appareil pour initier le processus de fabrication de glaçons, puis appuyez sur le bouton "ON/OFF" pour plus de 5 seconds afin de laisser l'appareil commencer le processus de collecte pour dégeler les glaçons. Cela vous aidera à enlever ceux qui sont durs.

## Comment vider complètement l'eau du réservoir interne et du grand réservoir d'eau

Dû au fait que l'eau du grand réservoir s'est arrêtée dans la valve d'arrivée d'eau de l'orifice de vidange, si vous souhaitez évacuer toute l'eau, il faut que vous branchiez la machine mais sans la démarrer; et puis, débouchez l'orifice de vidange à l'arrière. Attendez quelques minutes et toute l'eau s'écoulera.

## USAGE DE VOTRE MACHINE À GLAÇONS

1. Enlevez le couvercle du réservoir d'eau et versez de l'eau potable dedans. En outre, assurez-vous que le niveau d'eau reste au-dessous du niveau max., lequel est indiqué avec le signe MAX. affiché (veuillez voir l'image ci-dessous). Puis, mettez de nouveau le couvercle pour empêcher l'entrée de crasse.



Avertissement: Ne versez pas de l'eau dans le réservoir d'eau interne, placé sous le panier à glaçons. Ce réservoir n'est pas assez grand pour permettre une bonne production de glaçons.

2. Branchez la fiche d'alimentation principale. Puis, appuyez sur le bouton "ON/OFF" dans le panneau de contrôle pour initier le cycle de fabrication de glaçons.  
Note: Après avoir branché mais ne pas avoir démarré l'appareil à travers le bouton "ON/OFF", le témoin lumineux vert sera toujours allumé pendant 2 secondes et ensuite clignotera pendant 3 secondes. Mais après avoir démarré la machine en appuyant sur le bouton "ON/OFF", le témoin lumineux vert restera allumé.
3. Le cycle de fabrication de glaçons a une durée de 15 à 30 minutes environ, en dépendant de la température ambiante. Pour le premier cycle, et en concordance avec la température initiale de l'eau, la production de glaçons peut avoir une durée majeure. Dans ces endroits où la température ambiante est haute, le cycle peut se prolonger mais sans excéder les 50 minutes.

4. Pendant que la machine à glaçons est démarrée, vérifiez régulièrement le niveau d'eau du réservoir d'eau interne qui est placé sous le panier à glaçons. En cas de manque d'eau pour le dernier cycle de production de glaçons, l'appareil laissera couler automatiquement l'eau du grand réservoir au réservoir interne afin de continuer le processus de fabrication de glaçons. En cas de manque d'eau dans les deux réservoirs d'eau, la machine à glaçon s'arrêtera automatiquement et l'indicateur "Add Water" sera allumé.

Note: Veuillez vérifier que les deux filtres à eau, placés au fond du grand réservoir d'eau et dans le réservoir interne d'eau, ne sont pas obstrués par de la salissure ou par d'autres corps étrangers.

Ensuite, remplissez d'eau le grand réservoir jusqu'au signe du niveau maximum d'eau. Après avoir transporté ou bougé l'appareil, veuillez ajouter du liquide réfrigérant dedans le compresseur au moins 3 minutes avant redémarrer la machine.

Informations utiles: Après avoir branché la machine, appuyez sur le bouton "ON/OFF" pendant plus de 5 secondes; puis, relâchez-le pour démarrer l'appareil, qui ajoutera automatiquement 3 minutes de plus pour chaque cycle pour faire grossir les glaçons. Alors, si vous souhaitez faire grossir vos glaçons, veuillez tout d'abord arrêter la machine et ensuite appuyer à nouveau sur le bouton "ON/OFF" plus de 5 secondes pour redémarrer.

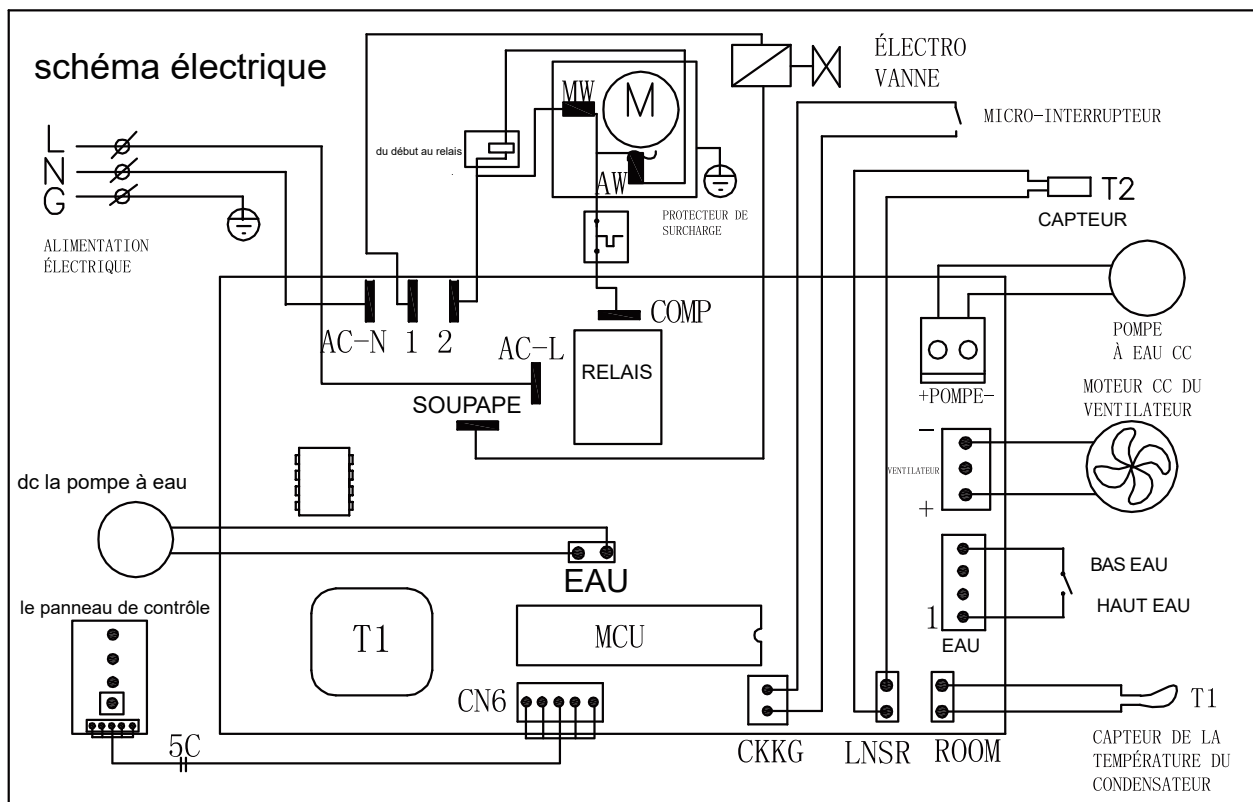
5. La machine à glaçons s'arrête automatiquement quand le panier à glaçons est plein et l'indicateur "Full ice" est allumé.
6. Changez l'eau du réservoir d'eau chaque 24 heures pour assurer un niveau raisonnable d'hygiène. Si la machine n'est pas utilisée pour longtemps, vidangez toute l'eau qui reste à l'intérieur des réservoirs d'eau.

## RÉSOLUTION DES PROBLÈMES

PROBLÈME	CAUSES POSSIBLES	SOLUTION
<b>L'indicateur 'ADD WATER' est allumé.</b>	Manque d'eau.	Arrêtez la machine à glaçons; remplissez d'eau le grand réservoir jusqu'au signe MAX. affiché, ensuite appuyez à nouveau sur le bouton "ON/OFF" pour redémarrer l'appareil.
<b>L'indicateur "FULL ICE" est allumé.</b>	Il y a trop de glace.	Enlevez la glace du panier à glaçons.
<b>Le grand réservoir d'eau est plein, mais l'indicateur 'ADD WATER' est toujours allumé.</b>	Il s'agit de l'eau distillée, c'est trop pure.	Remplacez l'eau par de l'eau potable normale ou minérale.
	Le filtre à eau au fond du réservoir d'eau est obstrué. D'ailleurs, l'eau ne peut pas entrer dans le réservoir inférieur d'eau.	Nettoyez le filtre à eau.
<b>pas d'eau dans le séparateur d'eau pipe</b>	Le trou dans le mur du tuyau d'arrosage est obstrué.	Utilisez un fil fin pour piquer tous les trous, jusqu'à que l'eau puisse couler facilement.
<b>Il n'y a pas d'eau dans l'appareil, mais l'indicateur "ADD WATER" n'est pas allumé ; il n'est pas possible de produire de glaçons.</b>	l'eau n'est pas assez pure.maybe vous avez utilisé le sel de l'eau ou d'autres	Remplacez l'eau par de l'eau potable normale. Il est interdit d'utiliser de l'eau salée, elle pourrait endommager l'appareil.
	Le mur du réservoir inférieur au-dessous du panier à glaçons est trop sale.	Nettoyez ce réservoir d'eau.
<b>Les glaçons sont trop faibles et minces.</b>	L'environnement est trop chaud.	Tout d'abord, arrêtez la machine et ensuite appuyez à nouveau sur le bouton "ON/OFF" plus de 5 secondes afin de redémarrer l'appareil. Le temps du chaque cycle de production de glaçons se prolongera.
<b>Le cycle de fabrication de glaçons semble normal mais aucun glaçon est produit.</b>	La température ambiante ou de l'eau dans le réservoir interne est trop haute.	Veillez maintenir la température ambiante en dessous de 32°C et versez de l'eau plus froide dans le réservoir.
	Fuite du liquide frigorigène.	Faites vérifier par un technicien qualifié.
	Le tuyau du système de réfrigération est obstrué.	Faites vérifier par un technicien qualifié.

# PARAMÈTRES TECHNIQUES ET SCHÉMA DE CIRCUIT

<b>Modèle</b>	400162
<b>Type de protection</b>	I
<b>Alimentation</b>	220-240V/50Hz
<b>Courant de fabrication des glaçons</b>	0.8A
<b>Courant de récolte des glaçons</b>	1.0A
<b>Réfrigérant</b>	R600a/35g
<b>Poids net</b>	11Kg
<b>Boîtier</b>	<b>Plastique</b>
<b>CLASSE CLIMATIQUE</b>	SN, N,ST,T
<b>Vésicant</b>	C <sub>5</sub> H <sub>10</sub>



# PROTECTION DE L'ENVIRONNEMENT

## Directive 2012/19/EU

Le traitement des appareils électriques et électroniques doit se faire selon des règles bien précises et nécessite l'implication de chacun, qu'il soit fournisseur ou utilisateur. C'est pour cette raison que votre appareil, tel que le signale le symbole apposé sur sa plaque signalétique ou sur l'emballage, ne doit en aucun cas être jeté dans une poubelle publique ou privée destinée aux ordures ménagères. L'utilisateur a le droit de déposer l'appareil dans des lieux publics de collecte procédant à un tri sélectif des déchets pour être soit recyclé, soit réutilisé pour d'autres applications conformément à la directive.



## Mise au rebut

Rendez l'appareil inutilisable immédiatement. Débranchez la prise d'alimentation et coupez le câble électrique. Retirez ou détruisez les fermetures à bascule ou à ressort avant de vous débarrasser de l'appareil. Ceci permet d'éviter aux enfants de s'enfermer dans l'appareil et de mettre ainsi leur vie en danger. Informez-vous auprès des services de votre commune sur les endroits autorisés pour la mise au rebut de l'appareil.

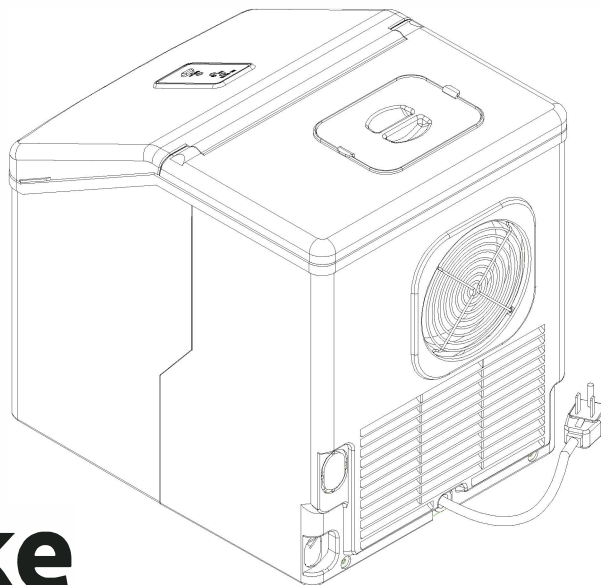
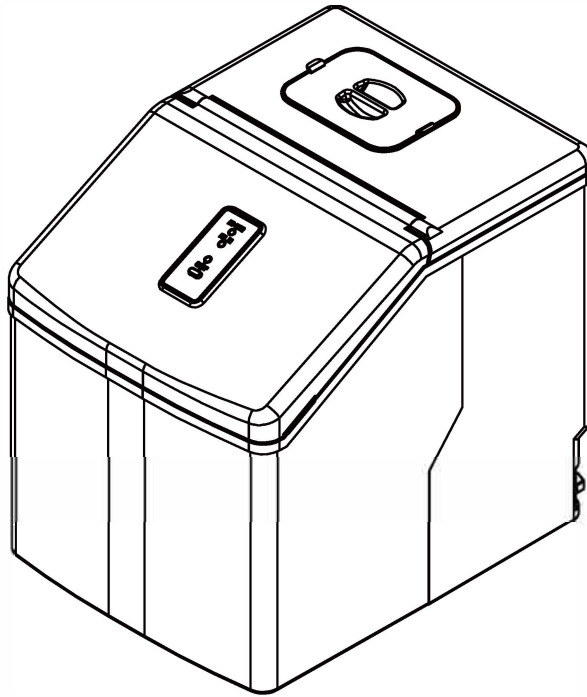
Ansprechpartner FR  
Made4Home SAS  
137 av. Gustave Eiffel  
ZI Rognac Nord  
13340 Rognac (France)  
E-Mail: [contact@tectake.fr](mailto:contact@tectake.fr)

ES

# MANUAL DE INSTRUCCIONES DE USO

## MÁQUINA DE HIELO

### Modelo N°.400162



 **tectake**

**CE**

MANUAL DE INSTRUCCIONES DE USO DEL FABRICANTE TRADUCIDO  
CONSERVAR PARA SER LEÍDO POR CADA NUEVO USUARIO, ANTES DE  
UTILIZAR EL ARTÍCULO POR PRIMERA VEZ



# CONTENIDOS (SEITEN: OFFEN)

<b>INTRUCCIONES DE SEGURIDAD IMPORTANTES</b> .....	2
<b>PREPARACIÓN DE LA MÁQUINA DE HIELO</b> .....	3
RECOMENDACIONES IMPORTANTES PARA UN USO SEGURO DE LA MÁQUINA DE HIELO	
<b>FAMILIARÍCESE CON LA MÁQUINA</b> .....	5
<b>MANEJO Y MANTENIMIENTO</b> .....	5
DESEMBALAJE DE SU MÁQUINA DE HIELO	
CONEXIÓN DEL APARATO .....	6
LIMPIEZA Y MANTENIMIENTO .....	6
<b>PUESTA EN MARCHA DEL APARATO</b> .....	8
RESOLUCIÓN DE PROBLEMAS .....	10
<b>DATOS TÉCNICOS Y ESQUEMA DE CONEXIÓN</b> .....	11
DATOS TÉCNICOS .....	11
ESQUEMA DE CONEXIÓN .....	11
RECICLAJE DE ESTE PRODUCTO .....	12

## **INTRUCCIONES DE SEGURIDAD IMPORTANTES**

**Su seguridad y la de los suyos son lo más importante.**

En el presente manual se recogen numerosas instrucciones de seguridad en relación con la utilización de este aparato., que debe leer detenidamente y en su totalidad antes del primer uso del mismo.

A continuación, mostramos el símbolo correspondiente a

A continuación, se muestra el símbolo de advertencia de seguridad:



Todas las indicaciones de seguridad van precedidas de este símbolo, así como por la palabra "PELIGRO" o "ADVERTENCIA".

 **PELIGRO**

 **ADVERTENCIA**

Significado de estas palabras:

**Si no sigue estas indicaciones de manera rigurosa, puede sufrir daños graves e incluso mortales.**

Todas las indicaciones de seguridad le alertan sobre el potencial peligro y le informan sobre cómo reducir el riesgo de sufrir daños a consecuencia de dicho peligro, además de anticiparle lo que podría ocurrir si no tiene en cuenta estas indicaciones.

# PREPARACIÓN DE SU MÁQUINA DE HIELO

## RECOMENDACIONES IMPORTANTES PARA UN USO SEGURO DE LA MÁQUINA DE HIELO

- No utilice ni este ni cualquier otro aparato eléctrico en caso de que el cable de alimentación esté dañado.  
Si el cable de conexión del aparato está dañado, debe ponerse en contacto con el equipo del servicio de atención al cliente del fabricante o, en su defecto, con otro profesional cualificado que pueda reemplazarlo por otro cable nuevo en perfecto estado.  
Una vez haya conectado el aparato, el enchufe debe quedar ligeramente accesible. Conecte este aparato a una caja de enchufe convenientemente instalada en la pared. No debe conectar ningún otro aparato a la misma caja de enchufe. Asegúrese de que el enchufe del cable de alimentación queda debidamente encajado en la caja de enchufe de pared.
- No coloque ni extienda el cable de alimentación sobre alfombras ni otro tipo de materiales aislantes térmicos. El cable de alimentación no debe quedar cubierto. Asegúrese de mantenerlo alejado de cualquier área de alta frecuencia, así como de no sumergirlo en agua.  
No es recomendable utilizar un alargador de cable, ya que éste supondría un factor de riesgo de incendio en caso de sobrecalentamiento. Si es preciso utilizar un alargador de cable, debe escoger uno con un grosor mínimo de 0,75 mm<sup>2</sup>, con un enchufe de conexión a tierra y apto para una carga eléctrica mínima de 10 A / 250V.  
ADVERTENCIA: Debe conectar este aparato por medio de un cable de conexión a tierra.
- Debe extremar las precauciones para utilizar el aparato en presencia de niños.
- Este aparato puede ser utilizado por niños con una edad a partir de 8 años, así como por personas con algún tipo de deficiencia, física o psíquica, y por quienes no están familiarizados con el funcionamiento de la máquina a condición de hacerlo bajo la vigilancia de algún adulto o, en su defecto, de recibir las indicaciones pertinentes para poder hacer un uso seguro de la máquina, conscientes, por otro lado, de los peligros derivados del uso del aparato. Los niños no deben llevar a cabo ni la limpieza ni el mantenimiento de la máquina sin encontrarse bajo la precisa vigilancia por parte de algún adulto.
- No coloque ni extienda el cable de alimentación sobre alfombras ni otro tipo de materiales aislantes térmicos. El cable de alimentación no debe quedar cubierto. Asegúrese de mantenerlo alejado de cualquier área de alta frecuencia, así como de no sumergirlo en agua.
- Desconecte el enchufe de la caja de enchufe antes de proceder con la limpieza de la máquina de hielo o de proceder con cualquier tipo de reparación del aparato.
- No utilice la máquina de hielo en espacios exteriores y evite su exposición directa a la radiación solar. Mantenga en todo momento una distancia de seguridad mínima, no inferior a 15 cm, entre el aparato y la pared; de igual modo, mantenga la misma distancia desde cada lateral de la máquina.
- El único líquido que puede utilizar para la preparación de los cubitos de hielo es agua.
- No debe volcar la máquina. Debe instalar la máquina sobre una superficie llana
- Por favor, no utilice líquidos inflamables para limpiar la máquina. La presencia de vapor es un factor de riesgo de incendio o de explosión.
- Si desea trasladar la máquina desde el exterior a una estancia interior, para evitar su exposición a temperaturas frías extremas durante la temporada invernal, debe mantener la máquina durante unas horas en la nueva ubicación para permitir que se aclimate a la temperatura ambiente antes de conectarla a la red eléctrica.
- Este aparato es apto para uso doméstico y particular y otros usos similares, tales como:

- a. Cocinas en negocios, oficinas y otros entornos laborales;
- b. Granjas, hoteles, hostales y otros tipos de alojamiento;
- c. Al despertarse o durante el desayuno;
- d. Alimentación y otras aplicaciones y otras actividades de venta al por mayor.



**ATENCIÓN: Peligro de incendio en caso de utilizar materiales inflamables**

Reciclaje: No debe reciclar el aparato por sí mismo, ni abrir personalmente el depósito para el refrigerante. Debe, en cambio, seguir las indicaciones recogidas en la normativa de aplicación vigente al respecto, de acuerdo con las cuales los profesionales especializados deben ocuparse de ello.

- **ATENCIÓN:** Asegúrese de que los orificios de entrada y salida permanezcan libres, sin que ningún tipo de partícula pueda estar obstruyéndolos.
- **ATENCIÓN:** En ningún momento manipule los elementos que contengan líquido refrigerante.
- **ATENCIÓN:** No utilice en ningún momento ningún tipo de objeto metálico ni punzante, así como tampoco ningún tipo de herramienta con la intención de acelerar el proceso de **DESCONGELACIÓN o de producción de hielo.**
- **ATENCIÓN:** Mantenga la máquina alejada de cualquier otro tipo de aparato o dispositivo eléctrico.
- **ATENCIÓN:** Debe conectar el aparato a una caja de enchufe de pared con conexión a tierra.
- **ATENCIÓN: CONEXIÓN POR CABLE DE RED**
- **ATENCIÓN:** Al instalar el aparato, asegúrese de que el cable de alimentación no esté pinchado o dañado.
- **ATENCIÓN:** No coloque una regleta o una estación de alimentación portátil en la parte trasera de la unidad.

### **IMPORTANTE:**

Los hilos de cobre de este cable de alimentación presentan los colores que se indican a continuación, de acuerdo con las especificaciones de aplicación:

Verde o verde y amarillo:	Cable de tierra
Azul:	Neutral
Marrón:	Con corriente

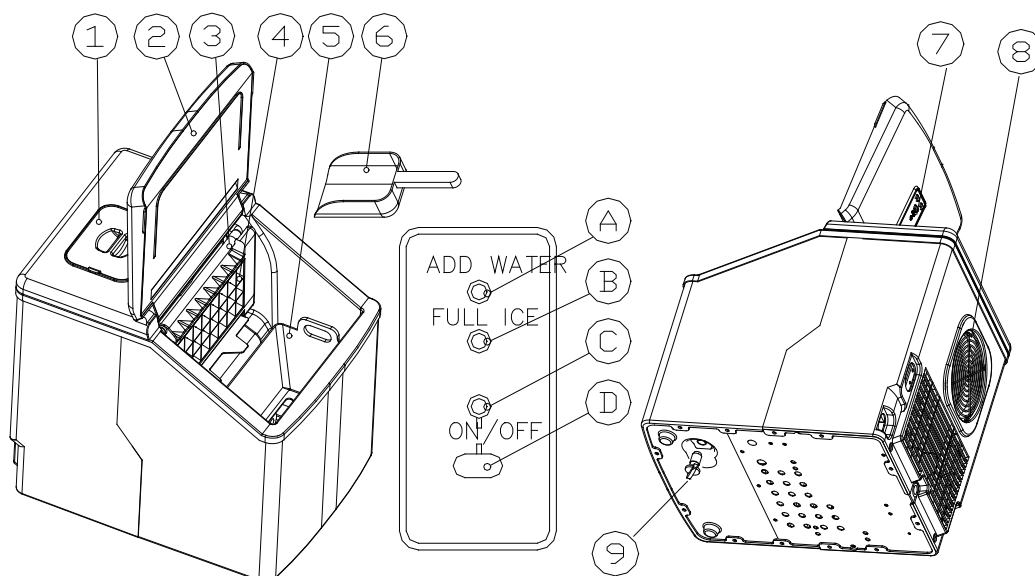
Para conseguir que la instalación del aparato sea estable es importante que se realice sobre una superficie llana y regular.

- Este aparato no es apto para ser usado por personas con algún tipo de discapacidad, física o psíquica, o que no esté familiarizadas con el uso de la máquina, a no ser que lo utilicen bajo la vigilancia de alguna persona responsable que pudiera informarles acerca del procedimiento y las instrucciones de uso de la máquina.
- Debe asegurarse de que los niños no utilicen la máquina como uno más de sus juguetes.
- El material combustible presente en este aparato requiere de un procedimiento de reciclaje específico, en cumplimiento con las especificaciones recogidas en la normativa vigente de aplicación al respecto. Retire las puertas de la máquina antes de proceder al desguace de la misma.

No debe almacenar materiales explosivos, tales como aerosoles o gases combustibles en el interior de la máquina.

## FAMILIARÍCESE CON LA MÁQUINA

1. Tapa del depósito de agua
2. Tapa de la máquina
3. Colector de agua
4. Evaporador
5. Cesta para hielo
6. Pala para hielo
7. Panel de control: manejo sencillo, funciones reconocibles por medio del control a través de la pantalla táctil.
  - a. Indicador del nivel de agua
  - b. Indicador de la cesta para hielo
  - c. Indicador del control de funcionamiento
  - d. Interruptor de encendido / apagado
8. Orificio de escape del aire caliente
9. Orificio para drenaje de agua: para la salida del agua desde la máquina.



## MANEJO Y MANTENIMIENTO

### DESEMBALAJE DE SU MÁQUINA DE HIELO

1. Retire el material de embalaje interior y exterior. Compruebe si dispone de la pala y de la cesta para hielo. En caso de que echara en falta algún componente del producto, deberá ponerse en contacto con nuestro equipo del servicio de atención al cliente.
2. Limpie el interior de la máquina con agua corriente y una bayeta suave. extraiga la cesta para el hielo para poder limpiar la superficie completa del aparato.
3. Instale la cesta de hielo sobre una superficie llana y regular: Escoja un lugar donde la máquina no esté expuesta directamente a la radiación solar ni al calor originado por otras fuentes de calor, como pudieran ser una placa de cocina, un horno o un radiador). Asegúrese de mantener la distancia mínima de seguridad, de 10 cm, tanto desde la parte trasera como desde los laterales de la máquina hasta la pared.
4. Espere una hora antes de conectar el enchufe de la máquina a la red eléctrica, para que el refrigerante pueda actuar.
5. Una vez conectada la máquina, el enchufe debe quedar accesible.

ADVERTENCIA: Rellenar solo con agua potable.

**UTILIZAR SOLO AGUA POTABLE.**



**\* Un uso incorrecto del enchufe con toma de tierra puede aumentar el riesgo de descarga eléctrica. En caso de que el cable eléctrico presente algún tipo de desperfecto, diríjase, por favor, a nuestro equipo del servicio de atención al cliente.**

1. Por su propia seguridad, este aparato debe estar convenientemente conectado a tierra. Este aparato está provisto de un enchufe de contacto de toma de tierra, compatible con una caja de enchufe estándar, para reducir el riesgo de descarga eléctrica.
2. Conecte la máquina de hielo a la red eléctrica necesariamente enchufando el cable de alimentación a una caja de enchufe de pared, a la que no debe conectar ningún otro aparato eléctrico. En ningún caso debe utilizarse un cable de tierra dañado ni debe eliminarse del cable de alimentación. Para resolver cualquier consulta relacionada con la conexión eléctrica y a tierra del aparato, debe dirigirse a un electricista profesional acreditado.
3. El voltaje requerido por este aparato es de 220-240 V y con una toma con protección de contacto de una frecuencia eléctrica de 50Hz.

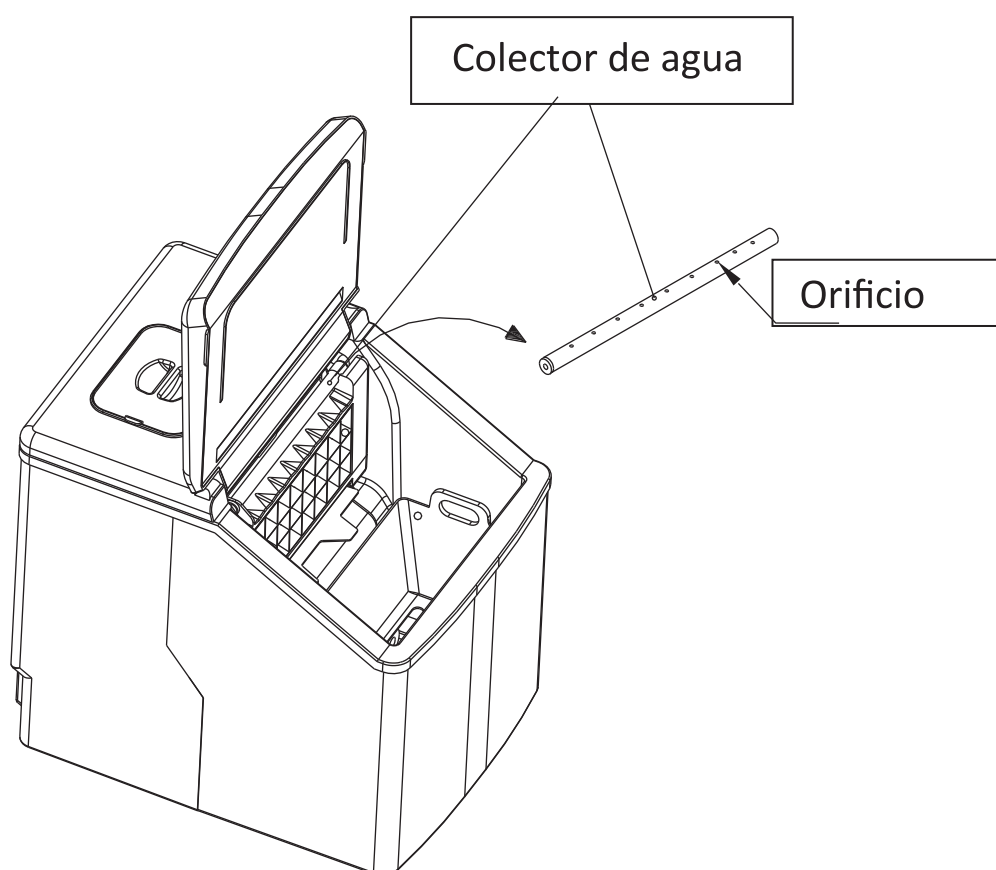
## Limpieza y cuidados de la máquina de hielo

**Es recomendable llevar a cabo una limpieza exhaustiva de la máquina antes de utilizarla.**

1. Desenchufe el cable de alimentación de la máquina antes de proceder a realizar cualquier tarea de mantenimiento.
2. Extraiga la cesta de hielo del aparato
3. Limpie el interior de la máquina con agua corriente caliente, una solución de detergente no agresiva y una bayeta suave.
4. Aclare bien el interior de la máquina con agua limpia y deje correr el agua, quitando el tapón del orificio de desagüe localizado en la parte inferior de la máquina.
5. Debe limpiar la superficie exterior de la máquina regularmente, con agua caliente y una solución de detergente.
6. Seque las superficies interiores y exteriores de la máquina con un paño suave.
7. Si no tienen intención de seguir utilizando la máquina, deje salir toda el agua desde el depósito y, después, seque el interior de la máquina.

**En caso de llevar un largo período de tiempo sin haber utilizado la máquina, debe limpiarla en profundidad antes de volver a utilizarla.** En especial, debe limpiar de manera regular tanto el conducto del colector de agua como el filtro de agua de la máquina.

1. En caso de que el conducto del colector de agua se encuentre obstruido, de que el agua no pueda ser conducida a través del mismo y de que usted puede oír el sonido del compresor y la bomba de agua en funcionamiento, deberá desconectar la máquina. Desmonte el conducto y límpielo. Limpie todos los orificios de la superficie del conducto, tal y como se muestra en la ilustración que encuentra a continuación. Instale de nuevo el conducto tras haber finalizado su limpieza y asegúrese de que el montaje se ha realizado correctamente, siguiendo las indicaciones de instalación recogidas en el presente manual.



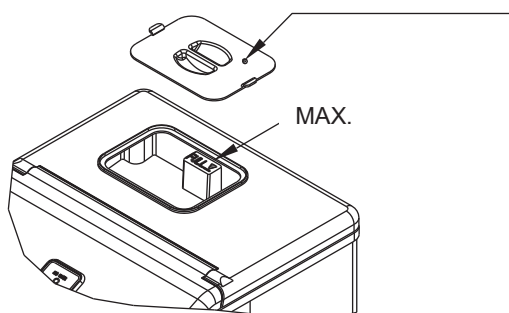
2. Limpie el depósito de agua con una solución detergente suave, agua caliente y una bayeta suave. Aclare el interior de la máquina con agua limpia y deje que el agua salga quitando el tapón del desagüe que se encuentra en la parte trasera de la máquina. De este modo se garantiza un proceso higiénico de producción de los cubitos y un correcto funcionamiento de la máquina.
3. Cuando, tras haber finalizado la limpieza de la máquina, observe que los cubitos se queden pegados en el evaporador y sin poder drenar el hielo, deberá poner en marcha la máquina e iniciar un ciclo de

producción de cubitos. Mantenga la tecla de Encendido / Apagado pulsada durante más de 5 segundos, para que la máquina comience a producir hielo, de manera que los cubitos pegados puedan drenarse más fácilmente.

**Para conseguir drenar el agua tanto desde el depósito de agua como desde el recipiente de mayor tamaño de la máquina de manera ininterrumpida:** debido a que el agua contenida en el recipiente de mayor tamaño queda retenida en el cierre del orificio de salida del agua, debe usted tomar las siguientes medidas de seguridad cada vez que desee dejar salir toda el agua desde la máquina. Enchufe el cable de la máquina a la caja de enchufe de pared sin llegar a ponerla en marcha. Quite el tapón de la parte trasera de la máquina y, tras unos pocos minutos, el agua se habrá drenado por completo.

## ***PUESTA EN MARCHA DE LA MÁQUINA DE HIELO***

1. Abra la tapa, saque la cesta de hielo y vierta agua en el depósito. Evite que se derrame el agua. No supere la marca de nivel máximo, que aparece indicado en la ilustración que aparece a continuación mediante **MÁX.** Vuelva a colocar la tapa de manera inmediata para evitar que entre suciedad.



**ADVERTENCIA:** No vierta agua en el depósito de agua interno que se encuentra bajo la cesta para el hielo. Este depósito no tiene un tamaño lo suficientemente grande que permita realizar el ciclo de producción de cubitos de hielo sin ningún tipo de problema.

2. Enchufe el cable de alimentación de la máquina. A continuación, presione el interruptor de encendido / apagado que se encuentra en el panel de control para poner en marcha la producción de hielo de la máquina.

**Debe tener en cuenta** que cuando conecta la máquina a la red de alimentación eléctrica, incluso aunque no presione el botón de encendido / apagado, el indicador de control de funcionamiento permanecerá iluminado durante 2 segundos y, a continuación, parpadeará mediante otros 3 segundos. Tras haber puesto en marcha la máquina pulsando el interruptor de encendido / apagado, el indicador permanecerá iluminado de manera ininterrumpida.

3. El aparato precisa un intervalo de entre aproximadamente 15 y 30 minutos, en función de la temperatura ambiente. Durante el primer ciclo de producción de cubitos probablemente será necesario un intervalo de mayor duración, a causa de la temperatura del agua. En los



lugares con una alta temperatura ambiente elevada, la duración del ciclo de preparación del hielo puede prolongarse, aunque, de cualquier modo, no excederá los 50 minutos.

**Información útil:** Tras haber conectado la máquina a la red eléctrica de alimentación, debe mantener pulsado el interruptor de encendido / apagado durante más de 5 segundos y, a continuación, liberarlo para poner que el aparato se ponga en marcha. La duración del ciclo de producción de hielo se verá automáticamente incrementada en 3 minutos; los cubitos de hielo preparados serán más gruesos que antes. En caso de que desee obtener cubitos más voluminosos, deberá, en primer lugar, desconectar el aparato y, a continuación, mantener pulsado el interruptor de encendido / apagado durante más de 5 segundos para volver a conectar el aparato.

4. Mientras la máquina está funcionando, deberá comprobar regularmente el nivel de agua del depósito interior, localizado debajo de la cesta para el hielo. Si dicho depósito no contiene agua suficiente para que la máquina pueda realizar los ciclos de producción de cubitos, de manera automática comenzará a salir agua del depósito, para que la máquina pueda avanzar con el proceso de producción de hielo. En caso de que el nivel de agua de ambos depósitos alcance su posición máxima, es decir, más alta, la máquina se pondrá en marcha de manera Automática y se iluminará, además, el indicador del nivel de agua.

Por favor, compruebe el estado en el que se encuentren los dos filtros de la máquina, es decir, el filtro que se encuentra en el fondo del depósito de agua y el que se encuentra en el fondo de depósito interno de la máquina.

Rellene el depósito de mayor tamaño con agua potable hasta alcanzar su nivel máximo. Añada refrigerante al compresor después de transportar la máquina, para que entre en contacto con ella durante, al menos, 3 minutos antes de volver a ponerla en marcha.

5. La máquina se pondrá en marcha de manera automática cuando el indicador de “cesta de hielo llena” se ilumine en el visor.
6. Cambie el agua del depósito cada 24 horas para asegurarse de manejar la máquina en las condiciones de higiene precisas. Cuando no utilice la máquina, deberá drenar toda el agua contenida en el depósito.

## RESOLUCIÓN DE PROBLEMAS

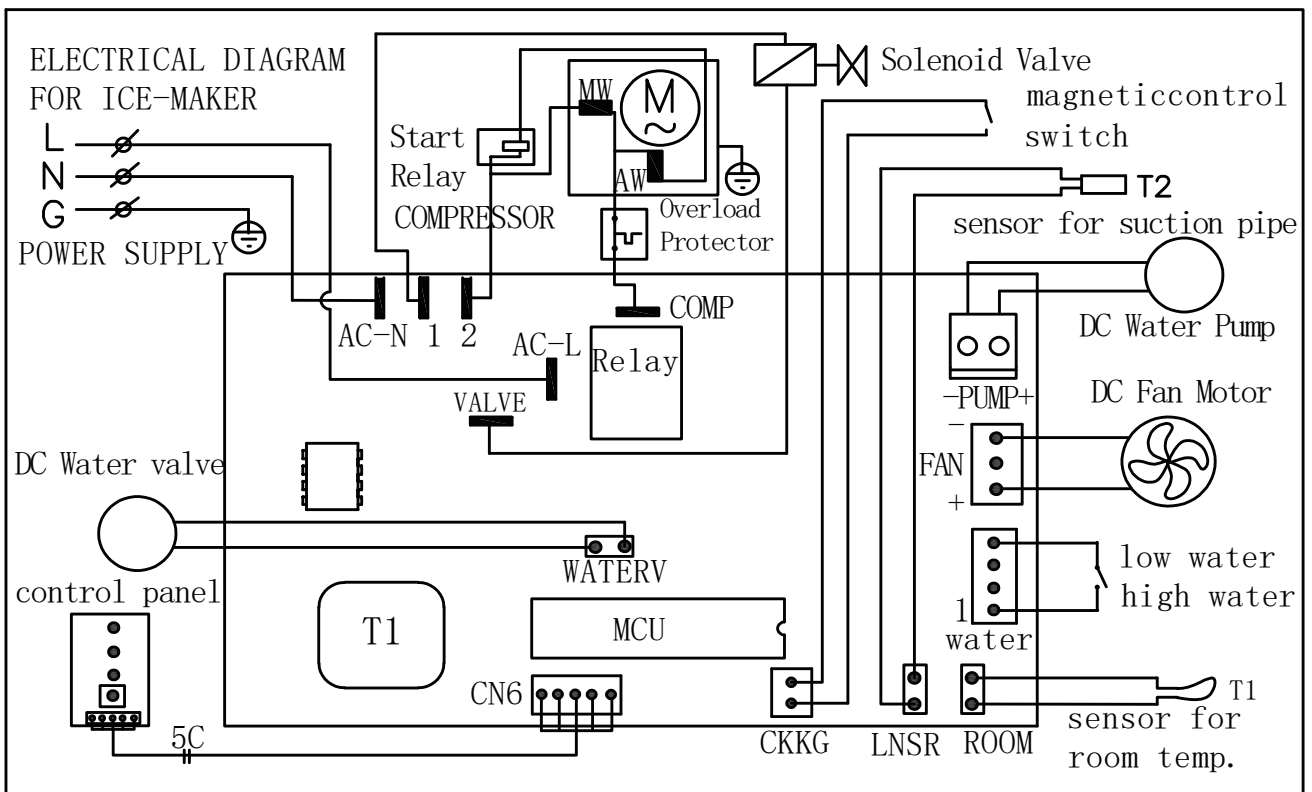
PROBLEMA	POSIBLE CAUSA	SOLUCIÓN
Indicador de NIVEL DE AGUA iluminado.	Nivel de agua.	Apague el aparato. Llene el depósito de agua superior grande hasta alcanzar la marca de nivel máximo MAX. Volver a poner en marcha la máquina pulsando el interruptor de encendido / apagado.
Indicador de CESTA DE HIELO LLENA iluminado.	Demasiada cantidad de hielo en la máquina.	Vacíe la cesta para hielo. Utilice agua potable o agua mineral.
El depósito de agua grande está lleno pero el indicador de NIVEL DE AGUA permanece ininterrumpidamente iluminado.	Ha rellenado el depósito con agua destilada. Es un tipo de agua demasiado pura y, por tanto, inadecuado. El filtro del fondo del depósito se ha desplazado de su ubicación correcta. El agua no puede ser conducida hacia el depósito inferior.	Limpie los filtros de agua.
No sale agua desde el colector de agua	El agua no presente la suficiente pureza (puede que haya utilizado, p. ej., agua salada).	Pinchar los orificios con un alambre fino hasta que el agua vuelva a fluir.
El depósito no contiene agua, pero no se ilumina el indicador de NIVEL DE AGUA. La máquina no prepara hielo.	Las paredes del depósito inferior están sucias.	Utilice agua potable. No debe utilizar agua salada, ya que podría ocasionar daños en la máquina. Limpie este depósito.
Los cubitos de hielo son demasiado finos y pequeños.	Temperatura ambiente demasiado elevada.	En primer lugar, desconecte la máquina. Mantenga pulsado el interruptor de encendido / apagado durante más de 5 seg y conecte el aparato. La duración del proceso de producción de hielo se prolongará.
El proceso de preparación de hielo parece normal, pero la máquina no prepara hielo.	Temperatura ambiente o del agua demasiado elevada. El refrigerante se derrama. Conducto del sistema de refrigeración obstruido.	Mantenga la temperatura ambiente por debajo de 32 °C y rellene el depósito con agua fría. Diríjase a un profesional cualificado.

# DATOS TÉCNICOS Y ESQUEMA DE CONEXIÓN

## DATOS TÉCNICOS

Modelo	400162
Clase de protección	I
Clase climática	220 – 240 V / 50 Hz
Consumo de producción de hielo	0,8 A
Consumo de descongelación	1,0 A
Refrigerante	R600a/35g
Peso neto	11kg
Gas propulsor	C <sub>5</sub> H <sub>10</sub>
Carcasa	Plástico
Clase climática	SN, N, ST, T

## ESQUEMA DE CONEXIÓN



## RECICLAJE DE ESTE PRODUCTO

### Procedimiento de desecho para reciclaje correcto de este producto



De acuerdo con las especificaciones de la normativa europea de aplicación, este símbolo advierte que este aparato no debe desecharse junto con residuos orgánicos. Los aparatos viejos contienen diversos materiales con alto potencial de reciclaje, que pueden volver a utilizarse, potenciando así prácticas de cuidado de la salud ambiental y la salud humana. Por ello, debe seguir los procedimientos de desecho de aparatos usados para su recogida y posterior reciclaje, dejándolos en los contenedores disponibles a este efecto o llevándolos al establecimiento donde los adquirió, que se ocupará de su tratamiento adecuado.

**Tenga en cuenta que el gas aislante presente en el aparato es combustible.** Debe seguir las especificaciones de la normativa nacional de aplicación a este respecto.

### CERTIFICADO DE GARANTÍA

El fabricante de este producto cubre un período de garantía de compra, cuya duración depende de la normativa de aplicación nacional correspondiente, de 1 año de duración como mínimo en cualquier caso (en Alemania, son 2 años). El período de garantía de compra coincide con la fecha de compra el producto por parte del usuario final.

La garantía de compra cubre únicamente aquellos desperfectos del producto que son debidos a un defecto de origen.

Las reparaciones cubiertas por la garantía de compra deberán ser necesariamente autorizadas por el personal del servicio de atención al cliente. Para poder ejercer sus derechos de garantía de compra, debe acreditar la adquisición del producto mediante la factura de compra (que especifique la fecha de compra).

Quedan excluidos de entre las coberturas de la garantía de compra:

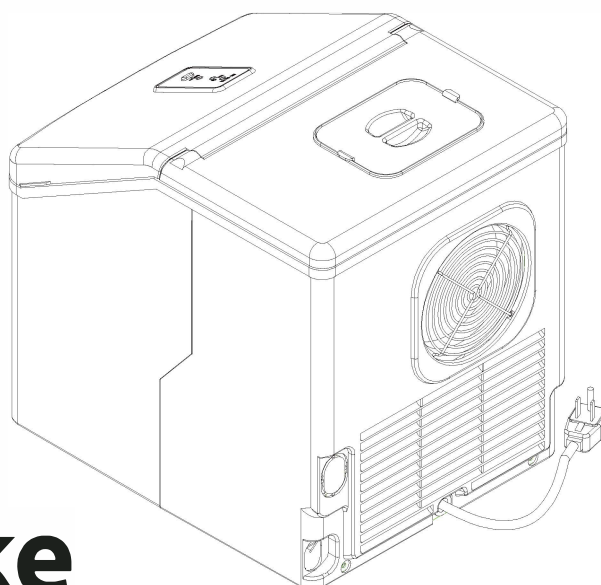
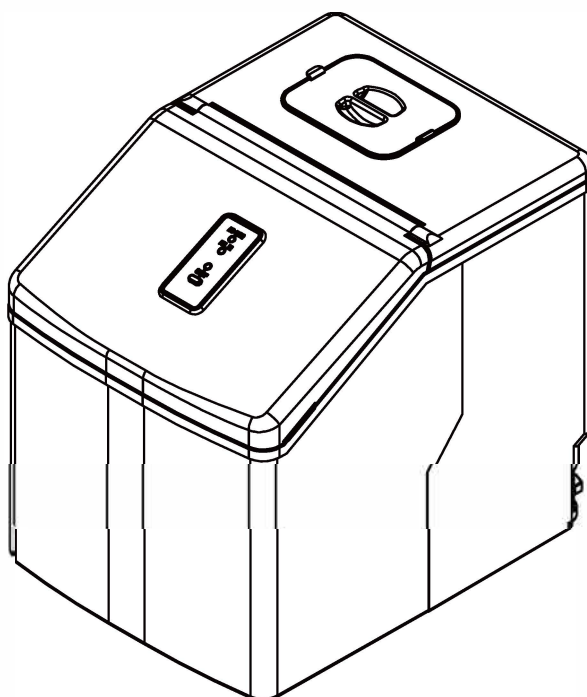
- El desgaste por uso
- Un manejo incorrecto o mal uso del producto, como, por ejemplo, la sobrecarga del producto o el acoplamiento de accesorios incompatibles.
- Desperfectos a causa de influencias externas, de un manejo violento del aparato o de objetos extraños.
- Desperfectos como consecuencia de no seguir las indicaciones recogidas en el manual de instrucciones de uso, como, por ejemplo, un voltaje de red incompatible con los requisitos del producto o a causa de no haber seguido las indicaciones en cuanto al montaje del producto.

Ansprechpartner ES  
Ibérica de Distribuciones online del  
Hogar,  
SLU,  
Méndez Álvaro 20,  
Madrid 28045,  
correo electrónico: mail@idoh.es

IT

# MÁNUÁLE DELL'UTENTE MÁCCHINÁ PER IL GHIÁCCIO

## Modello N°.400162



 **tectake**

**CE**

TRADOTTO IL MANUALE DI ISTRUZIONI DEL PRODUTTORE CHE DEVE  
ESSERE LETTO DA OGNI NUOVO UTENTE, PRIMA DI UTILIZZARE  
L'ARTICOLO PER LA PRIMA VOLTA.

# **INDICE**

1. **ISTRUZIONI IMPORTANTI PER LA SICUREZZA**
  - 1.1 Simbolo di attenzione
  - 1.2 Pericoli e avvertenze
2. **PREPARAZIONE DELLA MACCHINA PER IL GHIACCIO**
  - 2.1 Consigli importanti per la sicurezza
  - 2.2 Conoscere la macchina
3. **PROCEDURE OPERATIVE E MANUTENZIONE**
  - 3.1 Apertura imballaggio della macchina per il ghiaccio
  - 3.2 Collegamento della macchina per il ghiaccio
  - 3.3 Pulizia e manutenzione
  - 3.4 Utilizzo della macchina per il ghiaccio
  - 3.5 Risoluzione problemi
  - 3.6 Parametri tecnici e schema elettrico
4. **GARANZIA E SMALTIMENTO DEL PRODOTTO**

# ISTRUZIONI IMPORTANTI PER LA SICUREZZA

**La tua sicurezza e quella degli altri sono molto importanti.**

Abbiamo fornito molti messaggi importanti relativi alla sicurezza nel manuale e sull'elettrodomestico. Leggere con attenzione e osservare in ogni momento tutte le indicazioni relative alla sicurezza.

Questo è il simbolo di avvertimento:



Tutti i messaggi inerenti alla sicurezza seguiranno il simbolo di avvertimento e la parola "PERICOLO" o "ATTENZIONE".



**PERICOLO**



**ATTENZIONE**

Queste parole significano:

**Si può morire o rimanere gravemente feriti se non si seguono alla lettera ed in ogni momento le istruzioni.**

Tutti i messaggi di sicurezza descrivono i pericoli potenziali, spiegano come ridurre il rischio di lesioni e spiegano cosa può accadere se le istruzioni non vengono seguite alla lettera.

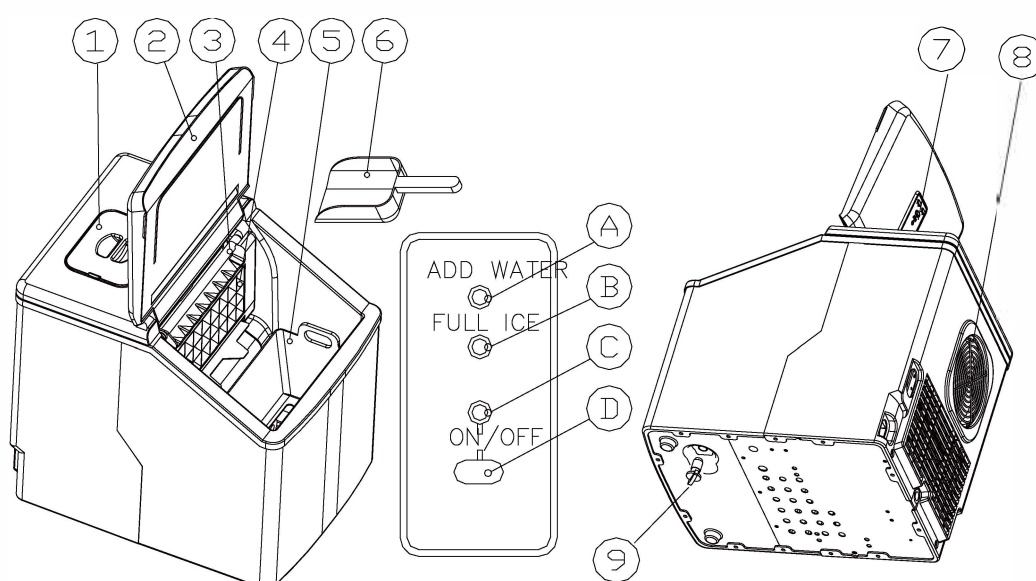
# PREPARAZIONE DELLA MACCHINA PER IL GHIACCIO

- Quando si utilizzano apparecchi elettrici, seguire le precauzioni di sicurezza di base per ridurre il rischio di incendio, di scosse elettriche e di danni a persone o a oggetti. Leggere attentamente tutte le istruzioni prima di utilizzare qualsiasi apparecchio.
  - Questo dispositivo non è destinato all'uso da parte di persone (inclusi i bambini) con capacità fisiche, sensoriali o mentali ridotte o con mancanza di esperienza e conoscenza, a meno che non abbiano ricevuto supervisione o indicazioni da parte di una persona responsabile per la loro sicurezza. I bambini devono essere supervisionati per assicurarsi che non giochino con l'apparecchio.  
Nota: nel mercato dell'UE, questo apparecchio può essere utilizzato dai bambini di età superiore a 8 anni e dalle persone con capacità fisiche, sensoriali o mentali ridotte o con mancanza di esperienza e conoscenza, a condizione che abbiano ricevuto supervisione o istruzioni in merito all'utilizzo sicuro del dispositivo e a condizione che comprendano i rischi connessi. I bambini non devono giocare con l'apparecchio. La pulizia e la manutenzione dell'utente non devono essere effettuate dai bambini senza supervisione.
  - Non utilizzare questo, o qualsiasi altro apparecchio, con un cavo danneggiato. Nel caso in cui il cavo di alimentazione sia danneggiato, esso deve essere sostituito dal produttore, da un suo rappresentante o da personale competente qualificato per evitare pericoli. Questa macchina per il ghiaccio deve essere posizionata in modo tale che la spina sia accessibile.
    - o Collegare solo a prese correttamente polarizzate. Nessun altro elettrodomestico deve essere collegato alla stessa presa. Assicurarsi che la spina sia completamente inserita nella presa di corrente.
    - o Non appoggiare il cavo di alimentazione su nocchie o su altri isolanti ternici. Non coprire il cavo. Tenerlo lontano dalle zone di passaggio e non immergerlo in acqua. Sconsigliamo l'utilizzo di prolunghette, dal momento che potrebbero surriscaldarsi e comportare rischio di incendio. Se tuttavia dovesse essere comunque necessario utilizzare una prolunga, utilizzare un cavo di almeno 0,75 mm<sup>2</sup> e con una tensione nominale non inferiore a 10 A / 250 V ~ con spina. **ATTENZIONE:** Questo apparecchio deve essere messo a terra.
    - o Scollegare l'alimentazione dalla macchina per il ghiaccio prima di pulirla o di effettuare riparazioni o manutenzione.
    - o Fare attenzione e supervisionare attentamente quando l'elettrodomestico viene utilizzato nelle vicinanze di bambini.
    - o Non utilizzare la macchina per il ghiaccio all'aperto. Posizionare la macchina per il ghiaccio al riparo dalla luce solare diretta e assicurarsi che ci siano almeno 15 cm di spazio tra il retro della macchina e la parete. Mantenere una distanza di 15 cm minimo da ogni lato della macchina.
    - o Non conservare sostanze esplosive all'interno della macchina, come ad esempio bombole spray con propellente infiammabile.
    - o Questo elettrodomestico è destinato all'uso in ambienti domestici e simili, come aree cucine del personale in negozi, uffici e altri ambienti di lavoro; case di campagna e da parte dei clienti in hotel, motel e altri ambienti residenziali; ambienti tipo bed and breakfast, catering e simili.
    - o Non utilizzare altri liquidi per produrre il ghiaccio che non siano acqua.
    - o Non pulire la macchina per il ghiaccio con liquidi infiammabili. I vapori potrebbero comportare pericolo di incendio o di esplosione.
    - o Non capovolgere. Per evitare rischi causati dall'instabilità dell'elettrodomestico, esso deve essere posizionato su di una superficie piana.
    - o Se la macchina per il ghiaccio viene portata in ambienti interni provenendo da ambienti esterni in inverno, non utilizzarla per qualche ora affinché si uniformi alla temperatura del nuovo ambiente prima di collegarla.
    - o **Attenzione:** rischio di incendio/materiali infiammabili utilizzati. Si prega di attenersi alle normative locali per lo smaltimento dell'apparecchio tenendo conto del gas infiammabile contenuto in esso. Prima di smaltire l'elettrodomestico, eliminare le porte per evitare che i bambini possano rimanere intrappolati all'interno.
    - o **ATTENZIONE:** mantenere libere da ostruzioni le aperture di ventilazione, nell'involucro dell'apparecchio e nella struttura integrata.
    - o **ATTENZIONE:** non danneggiare il circuito refrigerante.
    - o **ATTENZIONE:** non utilizzare dispositivi meccanici o altri mezzi per accelerare il processo di sbrinatorio o il processo di raccolta del ghiaccio, che non siano quelli raccomandati dal produttore.
    - o **ATTENZIONE:** non utilizzare altri tipi di elettrodomestici all'interno della macchina per il ghiaccio.



## CONOSCERE LA MACCHINA PER IL GHIACCIO

1. Coperchio serbatoio acqua
2. Coperchio della macchina
3. Tubo separatore acqua
4. Evaporatore
5. Cestello ghiaccio
6. Paletta per il ghiaccio
7. Pannello di controllo: facile da usare, funzioni visibili, impostazione schermo touch. A indicazione "inserire acqua nel serbatoio» B indicazione "cestello ghiaccio pieno" C indicatore alimentazione D pulsante accensione/spengimento.
8. Uscita aria calda
9. Apertura per drenaggio acqua: per drenare l'acqua dalla macchina.



## PROCEDURE OPERATIVE E MANUTENZIONE

1. Rimuovere l'imballaggio esterno e interno. Verificare che il cestello e la paletta siano presenti. Nel caso in cui mancassero dei pezzi, contattare il nostro servizio clienti.
2. Pulire l'interno con acqua tiepida e un panno morbido. Estrarre il cestello del ghiaccio e pulirlo.
3. Trovare una ubicazione per la macchina per il ghiaccio al riparo dalla luce solare diretta e da altre fonti di calore (ad esempio: fornelli, stufa, termosifone). Posizionare la macchina per il ghiaccio su di una superficie piana. Assicurarsi che ci siano almeno 15 cm di spazio tra il retro e i lati della macchina per il ghiaccio e le pareti.
4. Aspettare un'ora affinché il fluido refrigerante si depositi prima di collegare la macchina per il ghiaccio.
5. L'apparecchio deve essere posizionato in modo che la spina sia accessibile.

**ATTENZIONE: riempire solo ed esclusivamente con acqua potabile.**



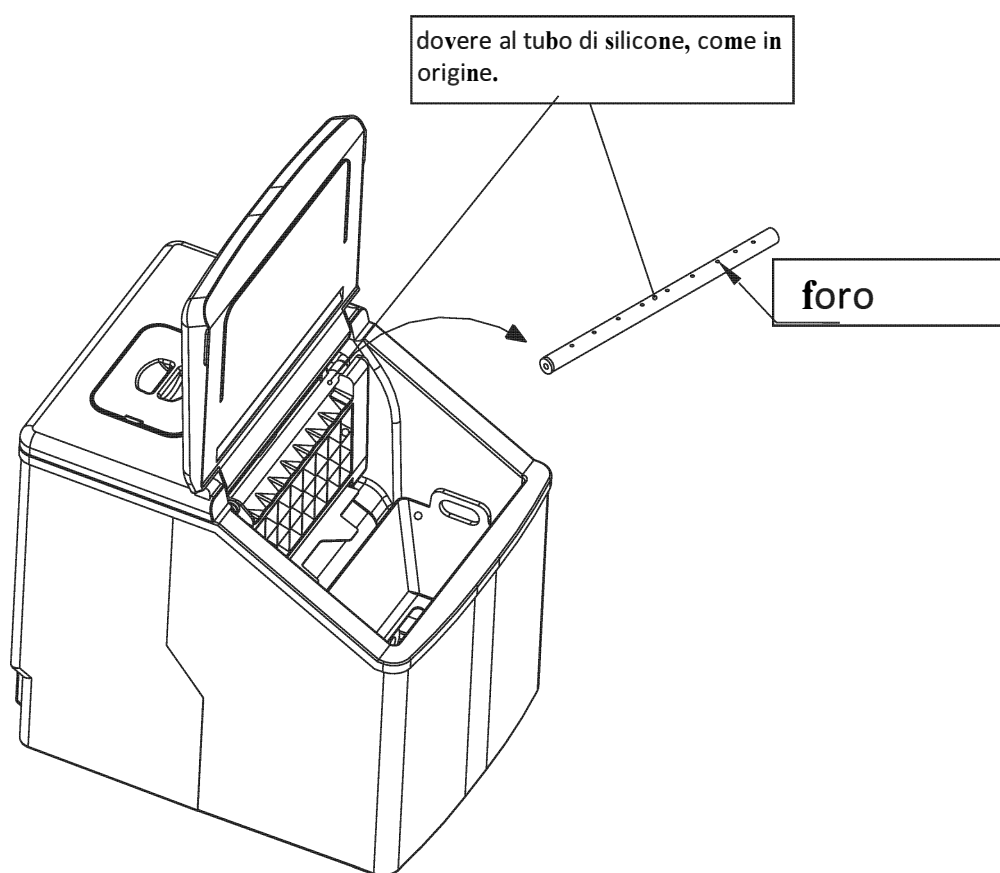
- \* **Nota: l'utilizzo improprio della spina messa a terra può comportare rischio di scosse elettriche. In caso di danneggiamento del cavo di alimentazione, contattare il nostro servizio clienti.**
  
- \* 6. Questo elettrodomestico deve essere correttamente messo a terra per la tua sicurezza. Il cavo di alimentazione di questo apparecchio è dotato di una spina di messa a terra che si abbina alle normali prese a parete per minimizzare il rischio di scosse elettriche.  
7. Collegare l'apparecchio a una presa a parete esclusiva, correttamente installata e messa a terra. Non danneggiare in alcun caso i mezzi di messa a terra della spina. Eventuali domande sull'alimentazione e/o sulla messa a terra devono essere rivolte ad un elettricista certificato.  
8. Questo apparecchio richiede una presa elettrica standard da 220-240 Volt, 50 Hz con un buon mezzo di messa a terra.

**Prima di utilizzare la macchina per il ghiaccio, è vivamente consigliato di pulirla con cura.**

1. Scollegare sempre la macchina per il ghiaccio dall'alimentazione prima di effettuare la manutenzione.
2. Estrarre il cestello del ghiaccio.
3. Pulire l'interno con un detersivo diluito, acqua tiepida e un panno morbido.
4. Utilizzare quindi acqua per risciacquare le parti interne e scaricarla dal foro di drenaggio svitando il tappo sul retro.
5. La parte esterna della macchina per il ghiaccio deve essere pulita regolarmente con una soluzione detergente delicata e acqua tiepida.
6. Asciugare l'interno e l'esterno con un panno morbido.
7. Quando la macchina non è in uso per un lungo periodo, aprire il tappo di drenaggio per scaricare completamente l'acqua dal serbatoio. Dopo aver utilizzato la macchina per il ghiaccio per molto tempo, consigliamo di pulirla.

In párticoláre, è necessário pulire regolármente il tubo sepáratore dell'ácuá e i filtri dell'ácuá.

1. Se il tubo separatore dell'acqua è ostruito e non scorre acqua quando si sentono únzionare il compressore e la pompa dell'acqua all'interno, spegnere la macchina e smontare il tubo, quindi pulirlo. Pulire ogni íoro sulla parete del tubo come mostrato nell'immagine seguente. Dopo la pulizia, reinserire il tubo separatore dell'acqua e assicurarsi che il terminale destro del tubo sia collegato a



L'indicatore "AGGIUNGI ACQUA" è acceso.

Mancanza di acqua. Spegnerne la macchina, inserire l'acqua nel serbatoio superiore grande fino al segno MAX, quindi premere nuovamente il pulsante "ACCESO/SPENTO" per riaccendere la macchina.

L'indicatore "CESTELLO PIENO" è acceso. C'è troppo ghiaccio nella macchina. Rimuovere il ghiaccio dal cestello.

Il serbatoio grande è pieno d'acqua, ma l'indicatore "AGGIUNGERE ACQUA" è sempre acceso. L'acqua è acqua distillata, è troppo pura. Sostituire l'acqua con acqua potabile normale o acqua minerale.

Il filtro acqua nella parte inferiore del serbatoio è intasato. L'acqua arriva nel serbatoio inferiore. Pulire il filtro acqua.

Nessun afflusso d'acqua dal tubo del separatore d'acqua. Il foro sulla parete del separatore d'acqua è intasato. Utilizzare un filo sottile per liberare ogni foro, fino a quando l'acqua può defluire facilmente.

Non c'è acqua nella macchina, ma l'indicatore "AGGIUNGERE ACQUA" non è acceso, la macchina non può produrre ghiaccio. L'acqua non è sufficientemente pura. Forse è stata inserita acqua salata o altro. Inserire acqua potabile normale. L'acqua salata non deve per nessuna ragione essere utilizzata, in quanto essa danneggia l'elettrodomestico.

La parete del serbatoio inferiore sottostante al cestello del ghiaccio è troppo sporca. Pulire questo serbatoio.

I cubetti di ghiaccio sono troppo fragili e sottili.

L'ambiente è troppo caldo. Per prima cosa spegnere la macchina, successivamente premere nuovamente il pulsante "ACCESO/SPENTO" tenendolo premuto per più di 5 secondi per riaccenderla. Questa procedura prolungherà il tempo di ogni ciclo di produzione del ghiaccio.

Il ciclo di produzione del ghiaccio è normale ma non viene prodotto ghiaccio. La temperatura dell'ambiente o la temperatura dell'acqua nel serbatoio interno è troppo alta.

Utilizzare la macchina ad una temperatura inferiore ai 32 gradi e versare acqua più fredda nel serbatoio.

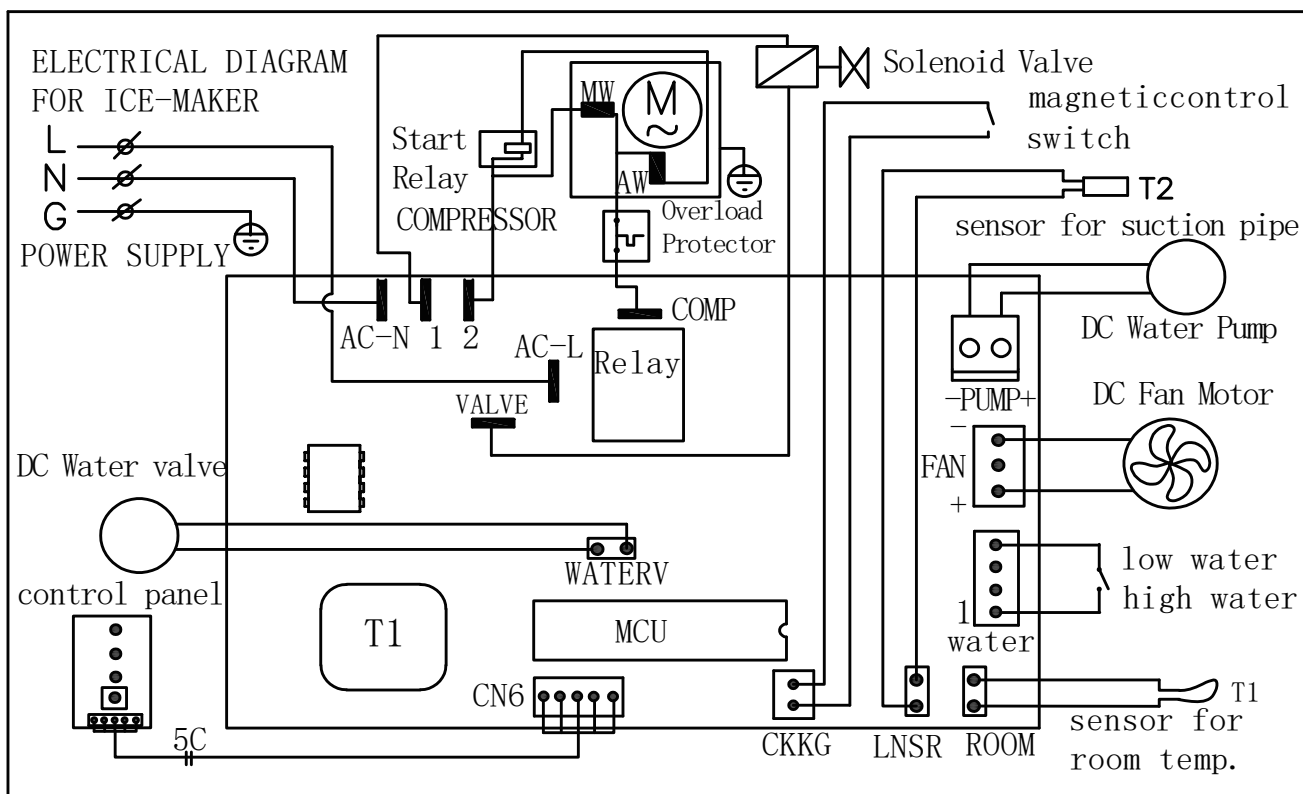
Perdita di liquido refrigerante. Far verificare da un tecnico qualificato.

Il tubo nel sistema di raffreddamento è intasato. Far verificare da un tecnico qualificato.

## Dati tecnici

Modello	400162
Tipo di Protezione	I
Potenza áti	220 – 240 V / 50 Hz
Corrente di produzione ghiaccio	0,8 A
Corrente di sghiacciamento	1,0 A
Refrigerante	R600a/35g
Peso netto	11kg
Gas propellente	C <sub>5</sub> H <sub>10</sub>
Contenitore plastica	Plástico
Classe climatica	SN, N, ST, T

## ESQUEMA DE CONEXIÓN



## Garanzia e smaltimento del prodotto

### Smaltimento corretto di questo prodotto



Questo simbolo indica che questo prodotto non deve essere smaltito con altri rifiuti domestici all'interno della UE. Per evitare possibili danni all'ambiente o alla salute umana causati dallo smaltimento incontrollato dei rifiuti, riciclare responsabilmente per promuovere il riutilizzo sostenibile delle risorse materiali. Per conferire il proprio dispositivo usato, si prega di avvalersi dei sistemi di raccolta e di conferimento o di contattare il rivenditore dal quale il prodotto è stato acquistato. Il rivenditore può conferire il prodotto per un riciclo sicuro per l'ambiente.

**Nota:** Il gas di sovrappressione all'interno dell'unità è infiammabile; lo smaltimento di questi materiali deve avvenire in conformità alle normative nazionali

**INFORMAZIONI UTILI:** Dopo aver collegato la macchina, premere il pulsante "ACCENSIONE/ SPEGNIMENTO" e tenerlo premuto per più di 5 secondi, quindi rilasciarlo per avviare la produzione del ghiaccio. La macchina aggiungerà in questo modo automaticamente 3 minuti ad ogni ciclo di produzione del ghiaccio, ciò aggiunge volume ai cubetti di ghiaccio prodotti. Quindi, se si desidera aumentarne il volume, spegnere la macchina, successivamente premere nuovamente il pulsante "ACCENSIONE/ SPEGNIMENTO" tenendolo premuto per più di 5 secondi per riaccenderla.

4. Quando la macchina per il ghiaccio è in funzione, verificare periodicamente il livello dell'acqua nel serbatoio interno situato sotto al cestello del ghiaccio. Nel caso in cui non ci sia acqua a sufficienza per completare il ciclo di produzione del ghiaccio, la macchina farà scorrere l'acqua automaticamente dal serbatoio grande a quello interno per continuare il processo di produzione del ghiaccio. Nel caso in cui sia il serbatoio dell'acqua interno che quello grande non contengano acqua a sufficienza, la macchina per il ghiaccio interromperà automaticamente il funzionamento e si accenderà l'indicatore "aggiungere acqua".

**Nota:** assicurarsi che i filtri acqua situati sul fondo del serbatoio grande e in quello interno non siano ostruiti da sporcizia o da corpi estranei. Riempire di acqua il serbatoio grande fino a raggiungere il livello massimo.

5. La macchina per il ghiaccio interrompe automaticamente il funzionamento quando il cestello del ghiaccio è pieno, si accenderà l'indicatore "cestello pieno".

6. Cambiare l'acqua nel serbatoio ogni 24 ore per garantire un livello di igiene ragionevole. Nel caso in cui l'elettrodomestico non venga utilizzato per lungo tempo, smaltire tutta l'acqua rimasta nei serbatoi.

#### \*\*PROBLEMA CAUSA POSSIBILE SOLUZIONE\*\*

L'indicatore "aggiungere acqua" è acceso.

Mancanza di acqua. Spegnere la macchina per il ghiaccio, versare acqua nel serbatoio grande fino a raggiungere il segno MAX, quindi premere nuovamente il pulsante "ACCENSIONE/SPEGNIMENTO" per riaccendere la macchina.

L'indicatore "cestello pieno" è acceso.

Troppo ghiaccio. Rimuovere il ghiaccio dal cestello.

Il serbatoio grande è pieno d'acqua, ma l'indicatore "aggiungi acqua" continua ad essere acceso.

L'acqua è distillata, troppo pura. Sostituirla con acqua potabile normale o con acqua minerale.  
Il filtro acqua sul fondo del serbatoio dell'acqua è ostruito e l'acqua non arriva nel serbatoio interno.

Pulire il filtro dell'acqua.  
Nessun afflusso d'acqua dal tubo di separazione dell'acqua.

I fori sulla parete della tubazione di separazione sono ostruiti. Usare un filo sottile per aprire ogni foro fino a quando l'acqua può defluire senza ostruzioni.

Non c'è acqua nella macchina, ma l'indicatore "aggiungere acqua" non è acceso, l'unità non può produrre cubetti di ghiaccio.

L'acqua non è sufficientemente pura. Forse è stata inserita acqua salata o altro.

Sostituire con acqua potabile normale. L'acqua salata non deve assolutamente essere utilizzata, in quanto danneggia l'elettrodomestico.

La parete del serbatoio inferiore sottostante al cestello del ghiaccio è troppo sporca.

Pulire questo serbatoio.

I cubetti di ghiaccio sono troppo fragili e sottili.

L'ambiente è troppo caldo. Per prima cosa spegnere la macchina, successivamente premere nuovamente il pulsante "ACCENSIONE/SPEGNIMENTO" e tenerlo premuto per più di 5 secondi per riaccenderla. Questo procedimento prolungherà il ciclo di produzione del ghiaccio.

Il ciclo di produzione del ghiaccio è normale, ma non viene prodotto ghiaccio.

La temperatura dell'ambiente o la temperatura dell'acqua nel serbatoio interno è troppo alta.

Utilizzare la macchina per il ghiaccio ad una temperatura inferiore a 32°C e versare acqua più fredda nel serbatoio.

Perdita di liquido refrigerante.

Far verificare da un tecnico qualificato.

Il tubo nel sistema di raffreddamento è ostruito.

Far verificare da un tecnico qualificato.

\*\*MODELLO 400162  
TIPO DI PROTEZIONE  
POTENZA 220-240 V / 50 Hz  
CORRENTE DI PRODUZIONE GHIACCIO 0,8 A  
CORRENTE DI SGHIACCIAMENTO 1,0 A  
REFRIGERANTE R600a / 35 g  
PESO NETTO 11 kg  
CONTENITORE plastica  
CLASSE CLIMATICA SN, N, ST, T  
GAS PROPELENTE\*\*

\*\*Nota: Il gas propellente all'interno dell'elettrodomestico è infiammabile, lo smaltimento di questi materiali deve avvenire in conformità con i regolamenti nazionali. \*\*

\*\*Informazioni sulla garanzia\*\*

Il produttore fornisce la garanzia in conformità con la legislazione del paese di residenza del cliente, con un minimo di 1 anno (in Germania: 2 anni), a partire dalla data di vendita dell'elettrodomestico all'utente finale.

La garanzia copre esclusivamente difetti di materiali o di fabbricazione.

Le riparazioni in garanzia devono essere effettuate solo da un centro di assistenza autorizzato. Quando si presenta un reclamo in base alla garanzia, deve essere presentata la fattura originale di acquisto (con data di acquisto).

La garanzia non si applica nei casi di:

- normale usura
- utilizzo non conforme, ad esempio sovraccarico dell'apparecchio, uso di accessori non approvati
- uso di forza, danni causati da fattori esterni
- danni causati dalla mancata osservanza del manuale dell'utente, ad esempio collegamento ad una alimentazione non idonea o mancata osservanza delle istruzioni di installazione
- elettrodomestici parzialmente o completamente smontati

Ansprechpartner IT  
tenulodi S.r.l.  
Via Manzano 70  
33040 Premariacco (UD)  
Numero di telefono: +39 0471 1800175  
E-Mail: mail@tectake.it