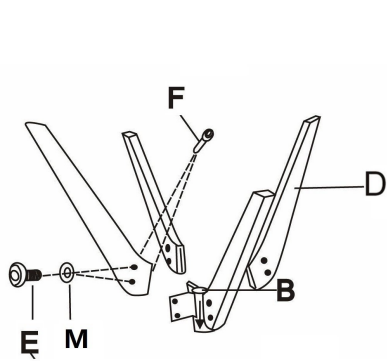
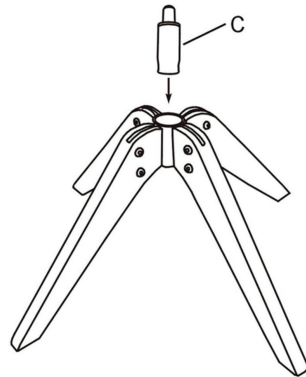


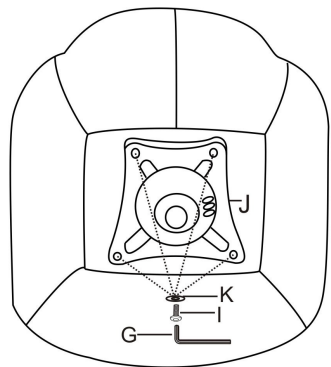
***Do not tighten the screw completely before step4(levelling)**



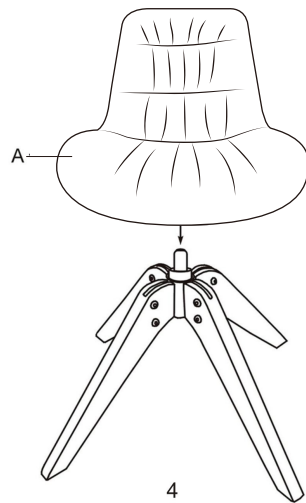
1



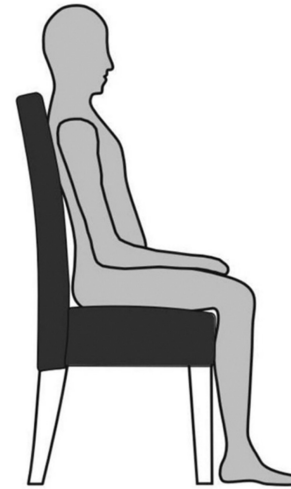
2



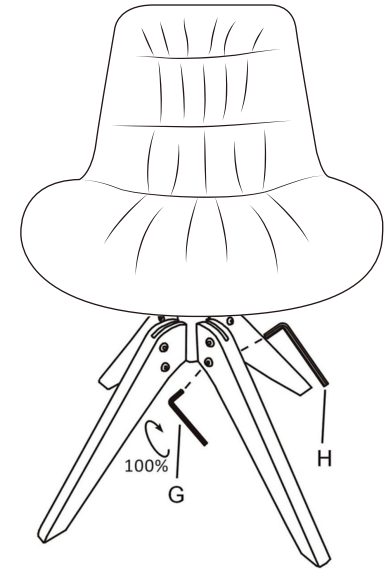
3



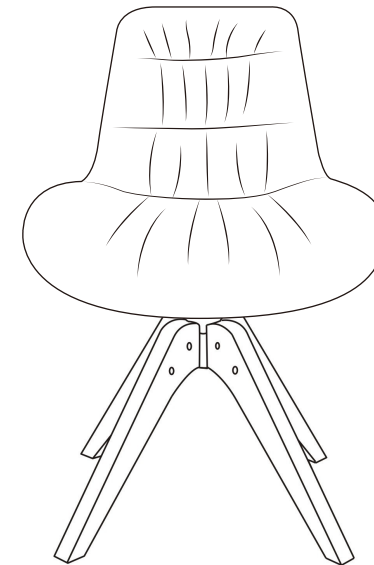
4



5



6



7