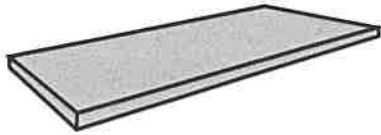


# ASSEMBLY INSTRUCTIONS

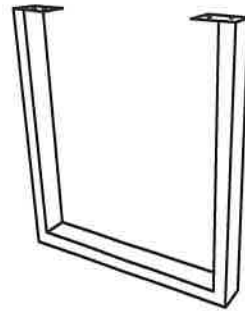
Art No.

A



x1

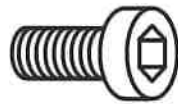
B



x2



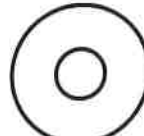
C



20MM NUT

x8

D



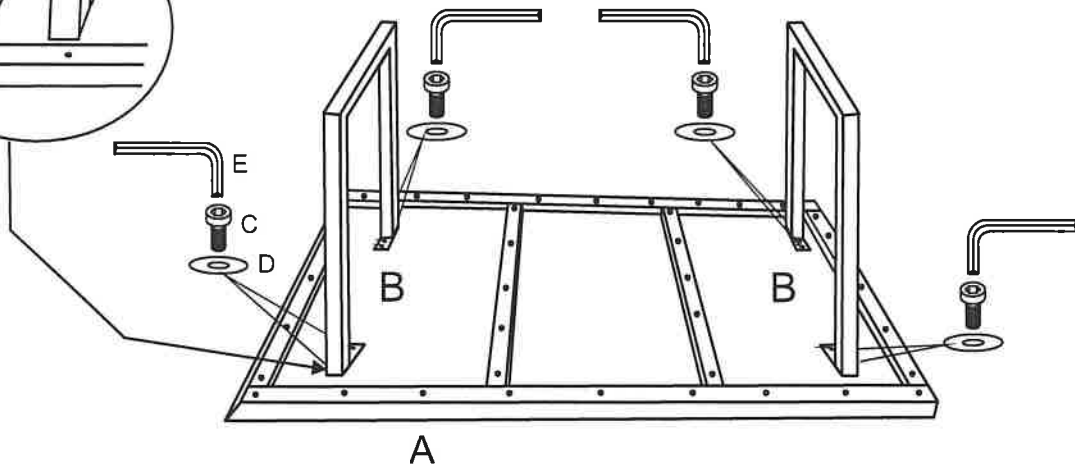
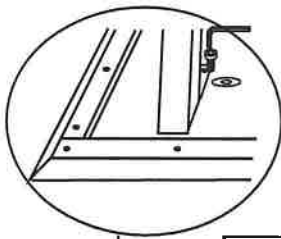
20MM WASHER

x8

E



x1



THANKS FOR PURCHASE