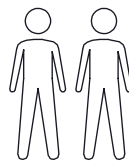
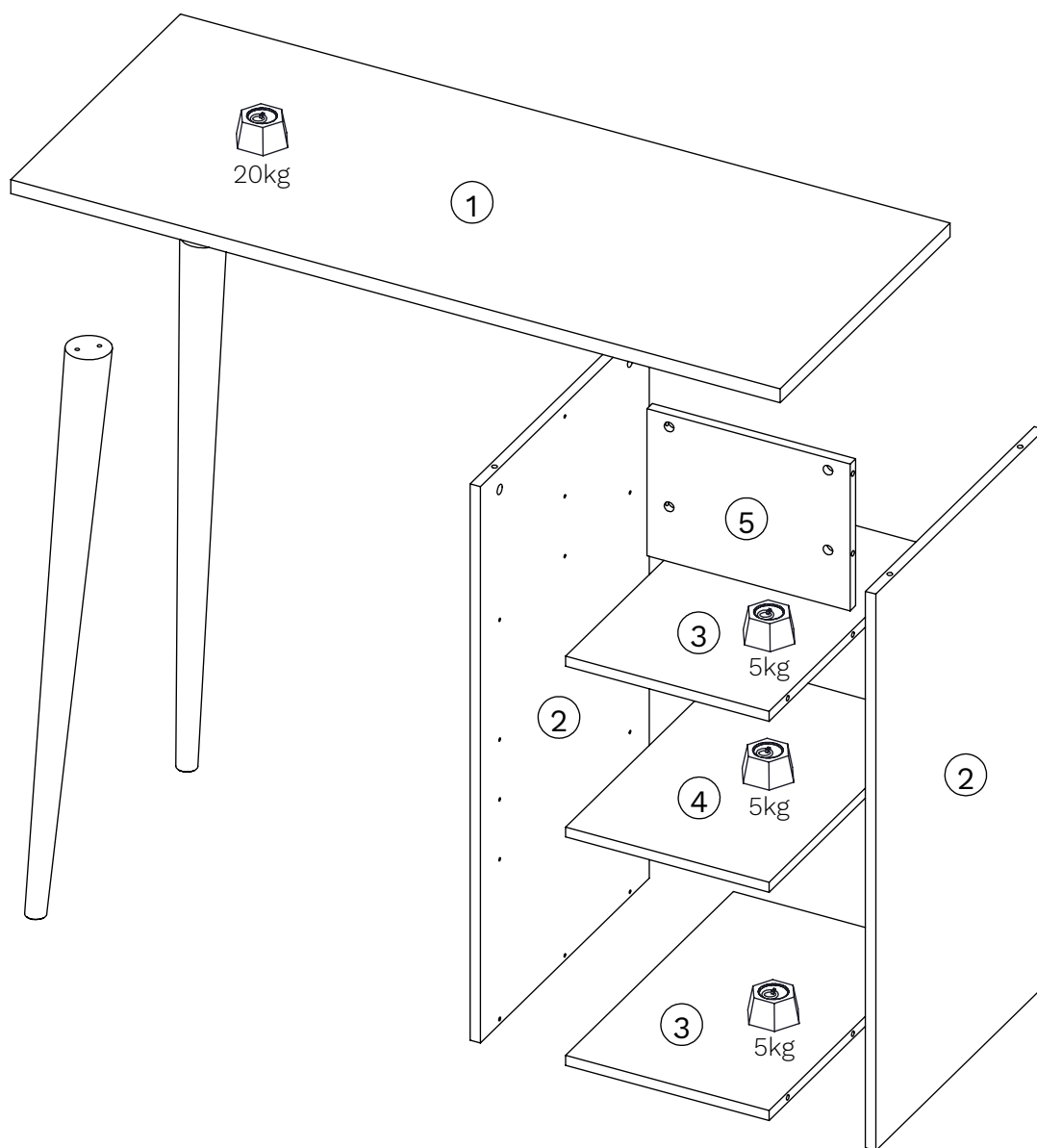



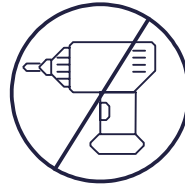
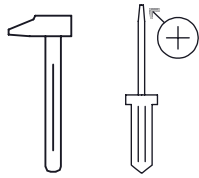
0:45



x 2



○	x	mm	
1	1	1196 x 500 x 22	1
2	2	892 x 497 x 16	1
3	2	494 x 316 x 16	1
4	1	494 x 316 x 16	1
5	1	316 x 235,5 x 16	1



AA x20



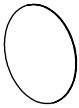
BA x20



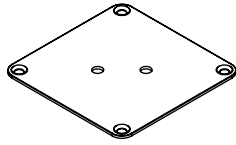
Ø6,3x19mm
FD x8



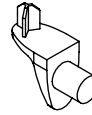
Ø7x35mm
CF x4



EDC x20



SH x2



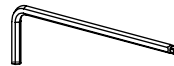
DDB x4



RK x4



RFD x2



CLE x1

1

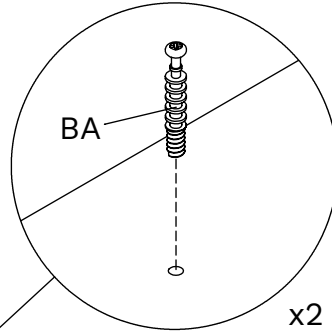
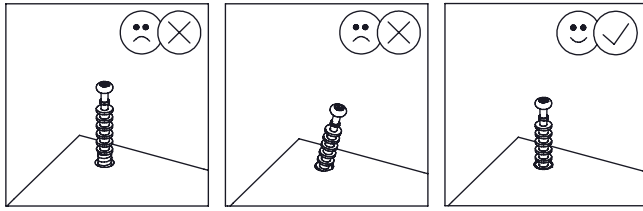
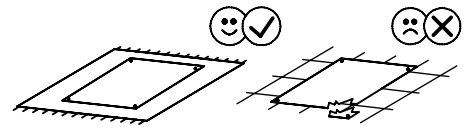
AA x4



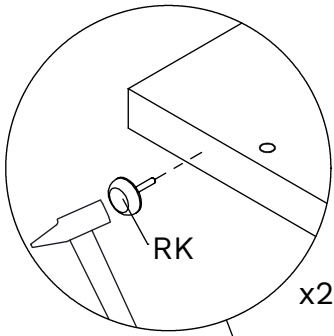
BA x16



RK x4

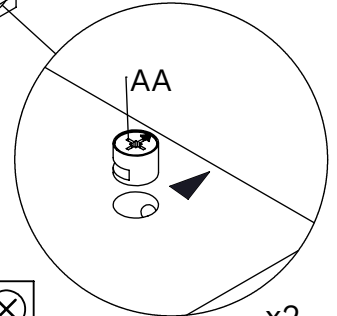


x2

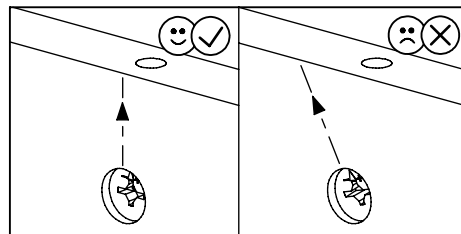


x2

2 x2

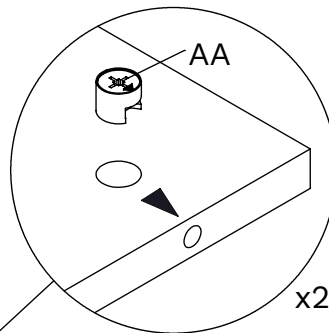


x2

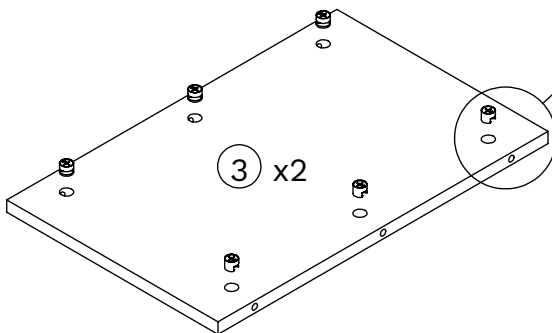


2

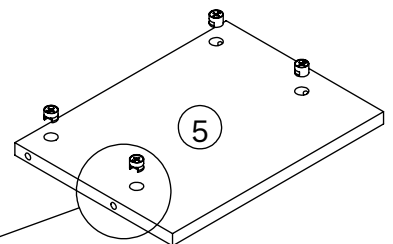
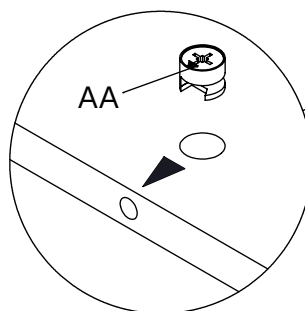
AA x16




x2

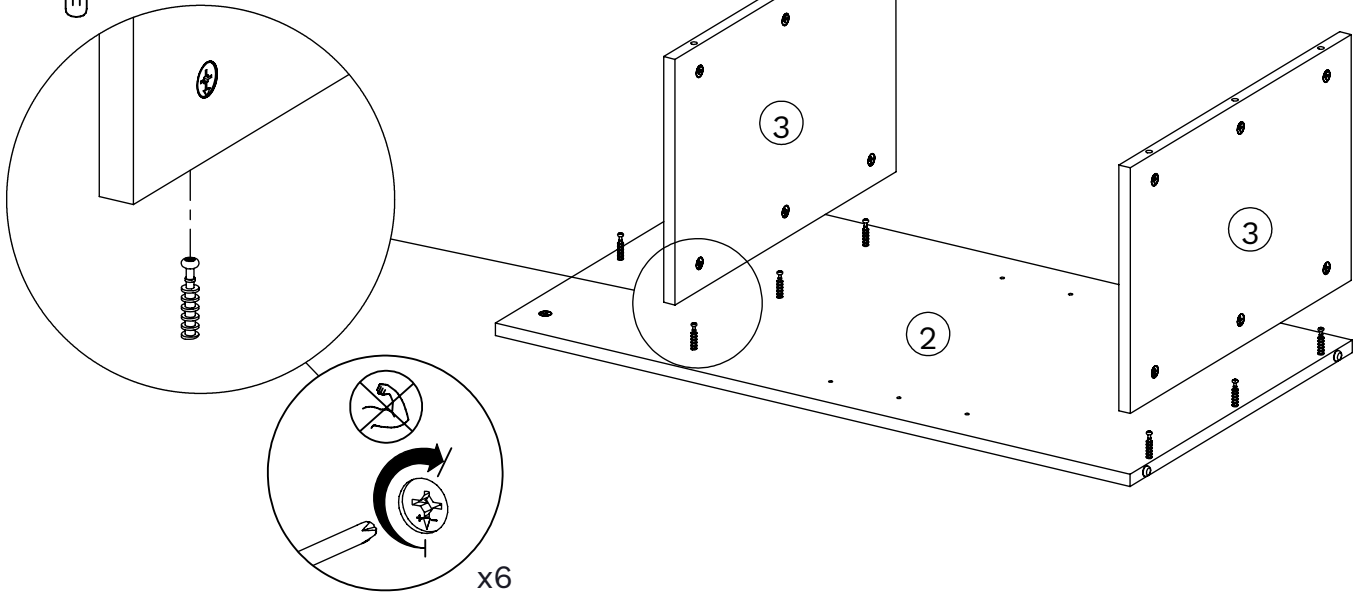



3 x2

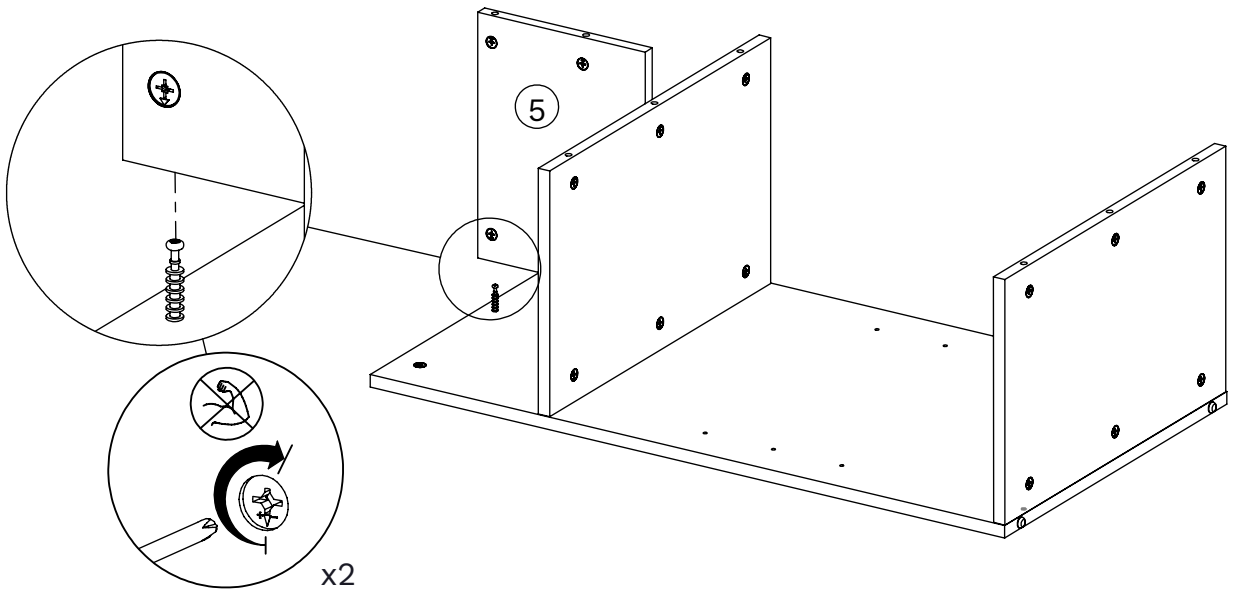



5

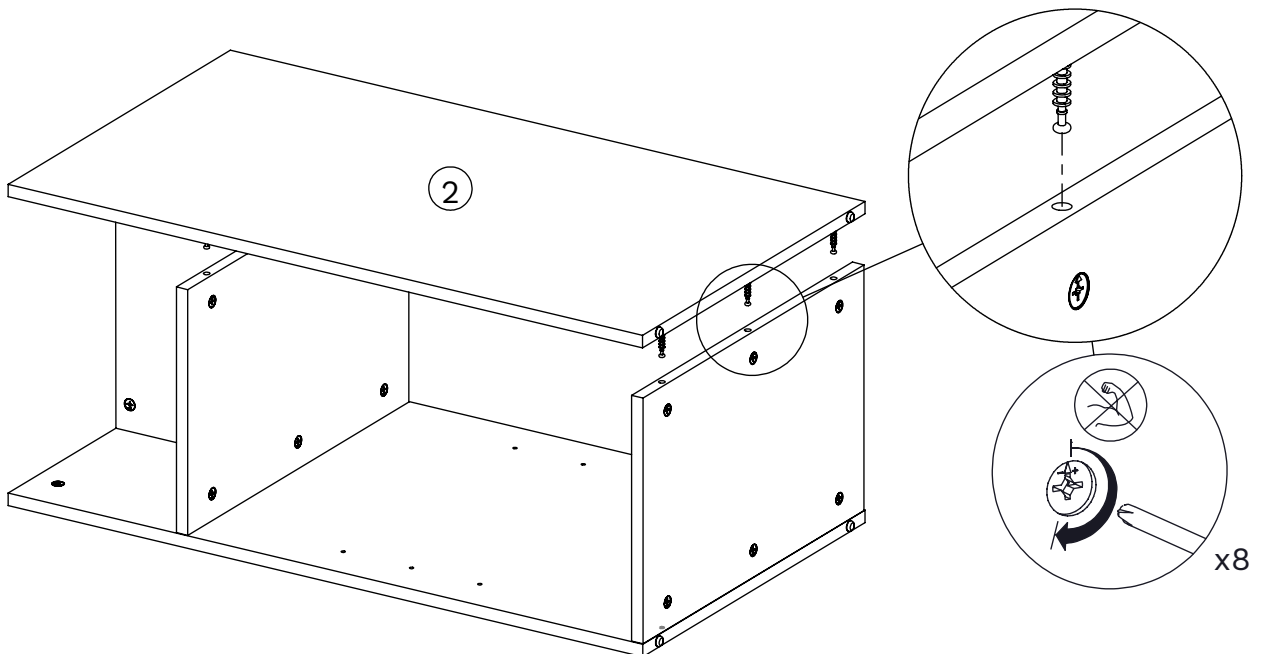
3 



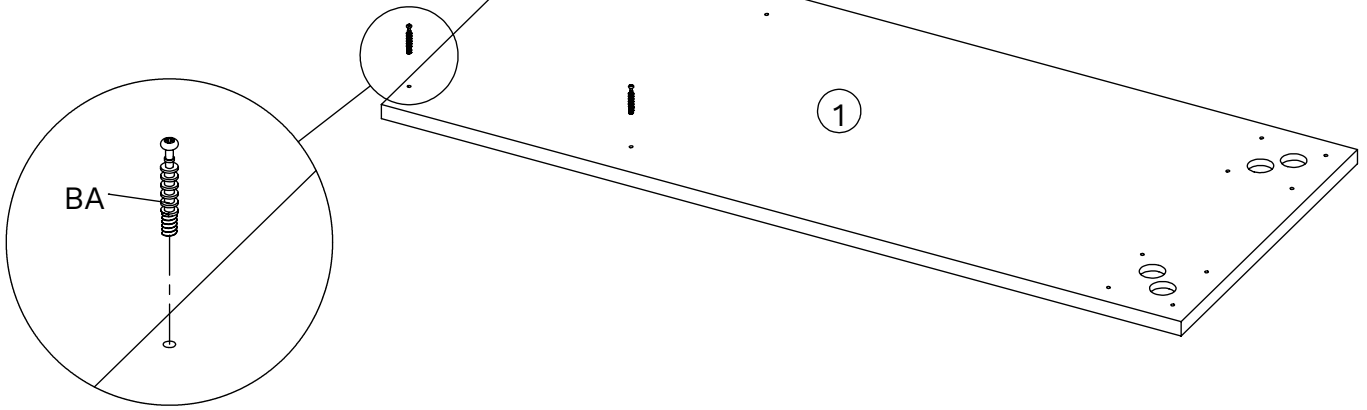
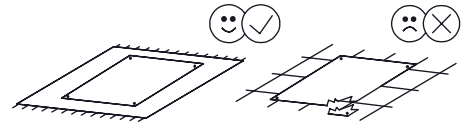
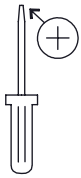
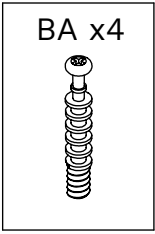
4 



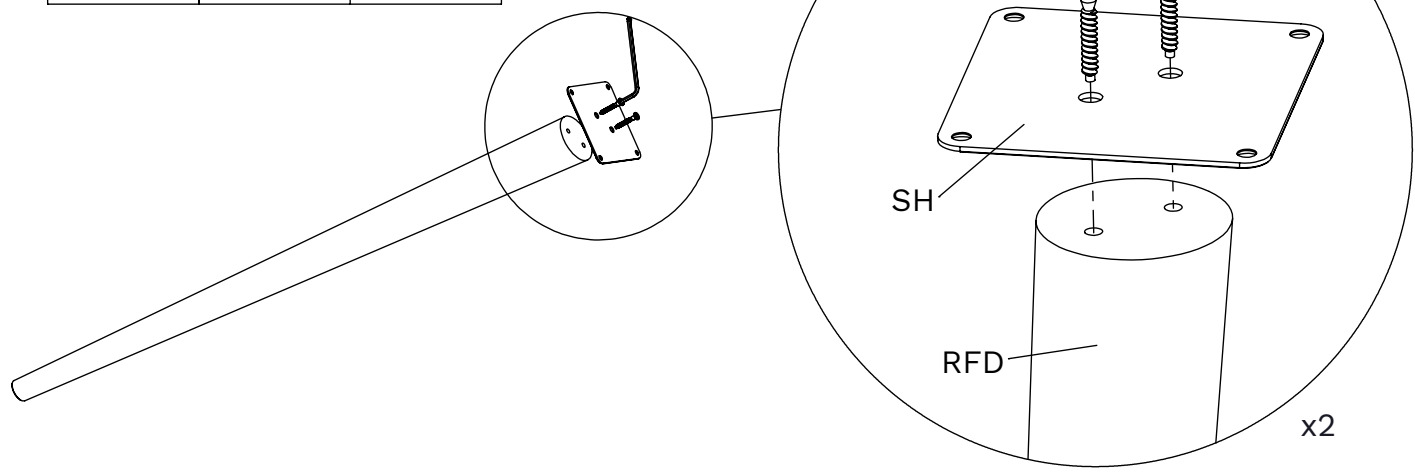
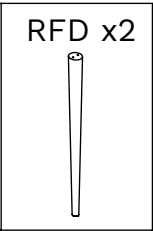
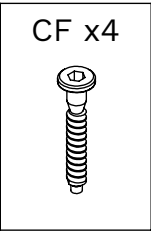
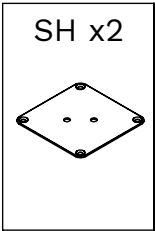
5 



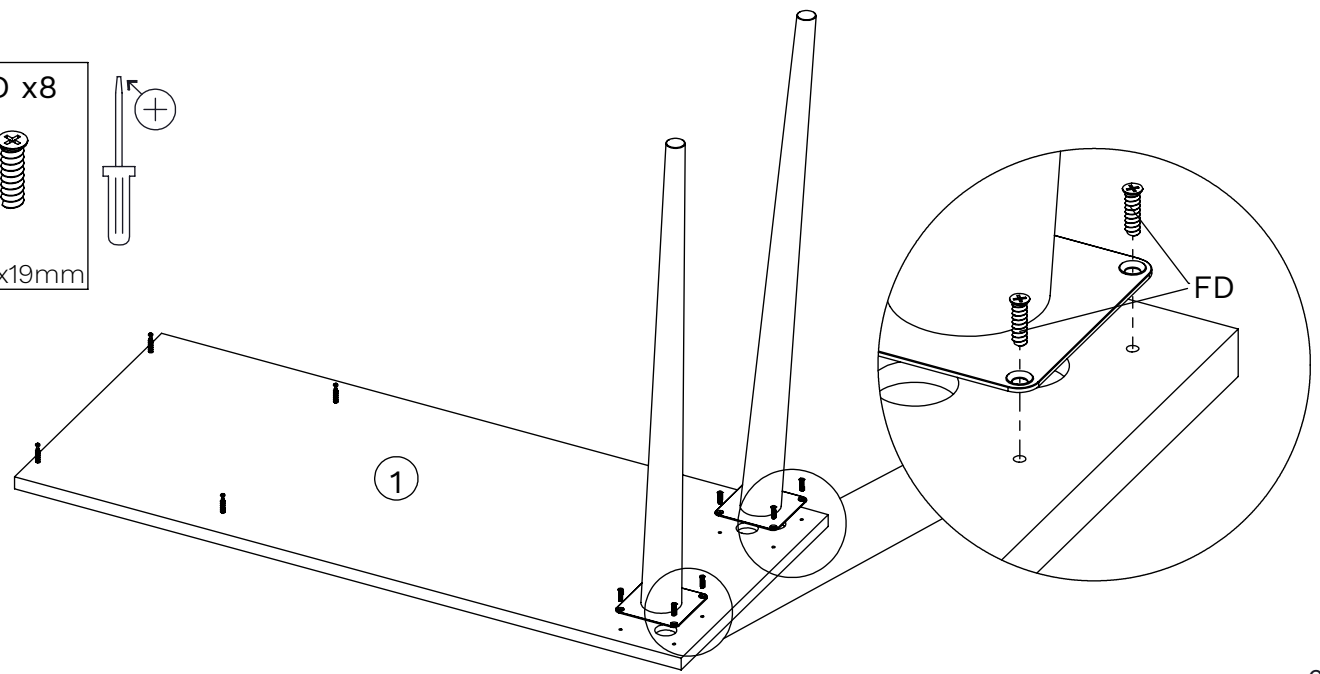
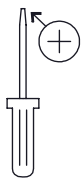
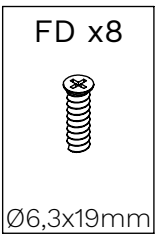
6



7

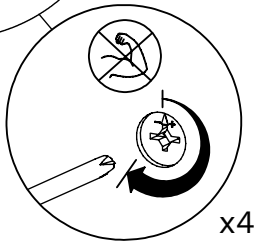
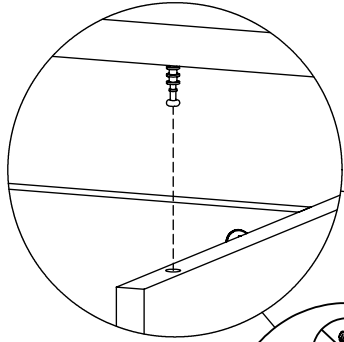
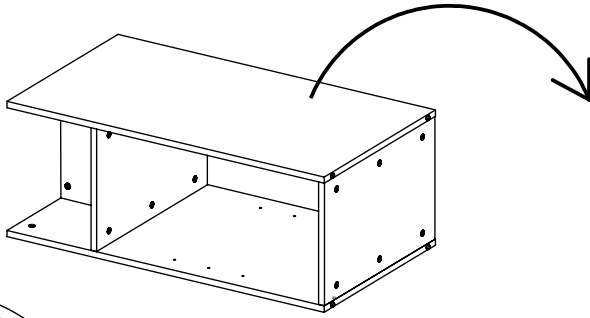
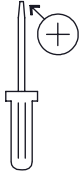


8

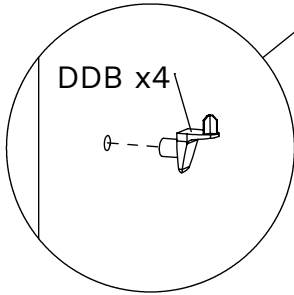


9

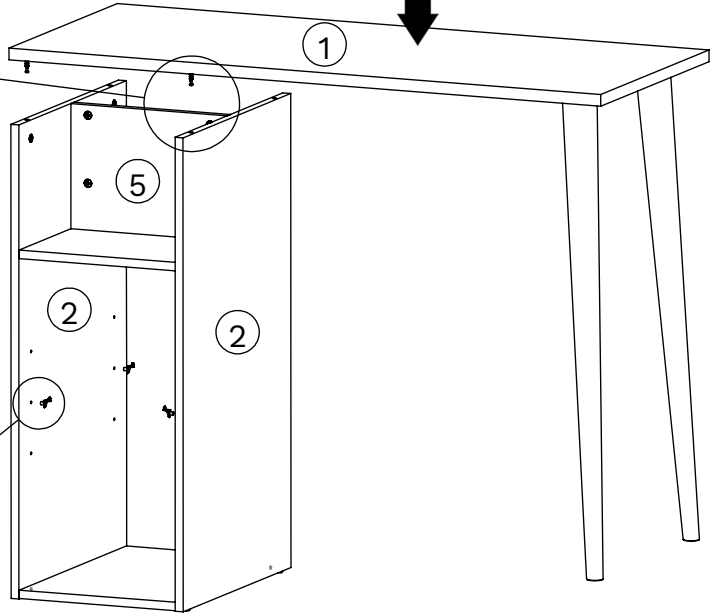
DDB x4



x4

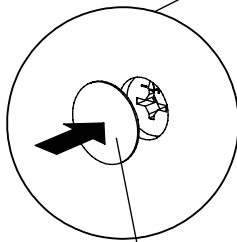


DDB x4



10

EDC x20



EDC x20

