

SOJAG

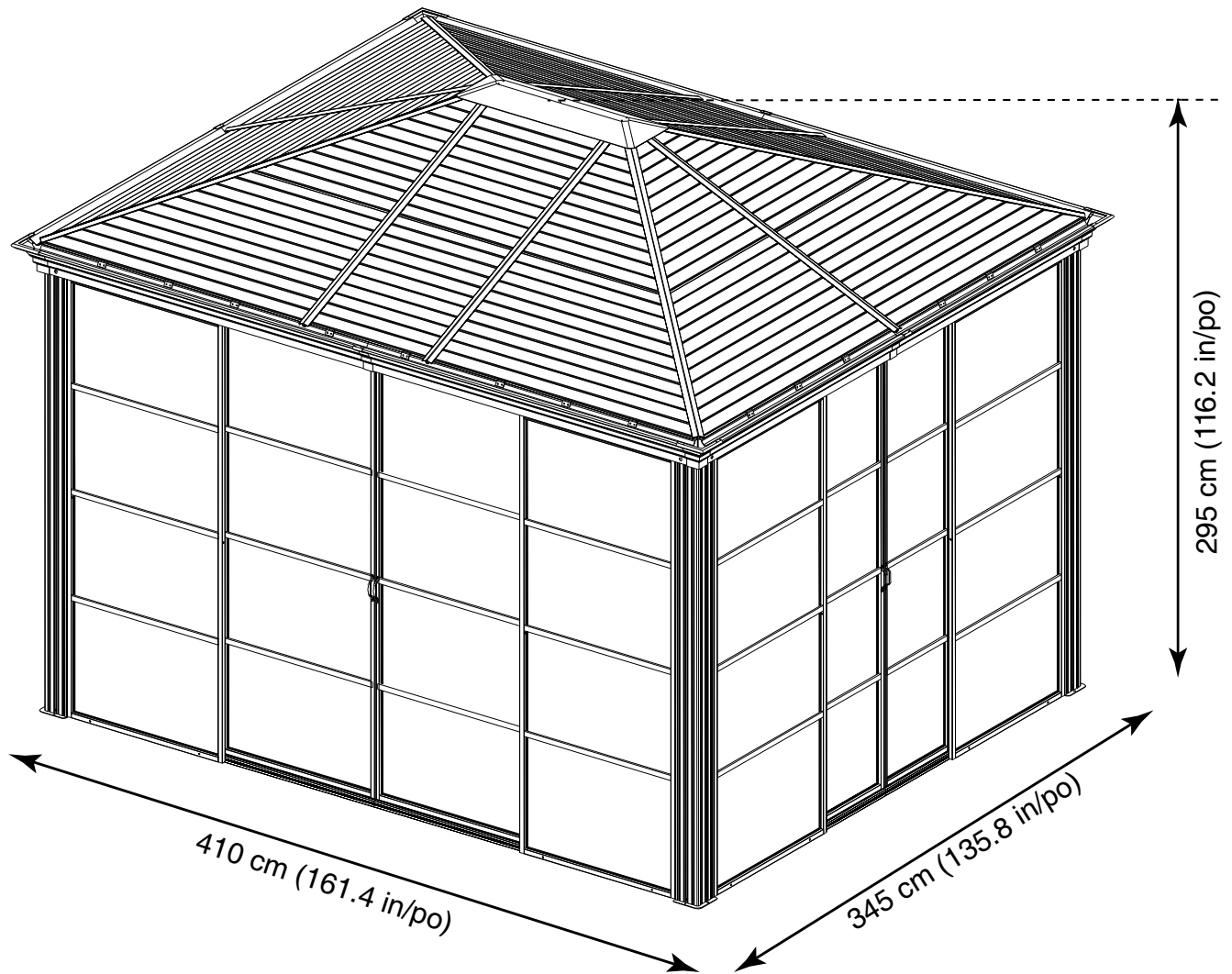
produits saisonniers • seasonal products

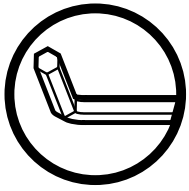


Sojag code: 999-9164367

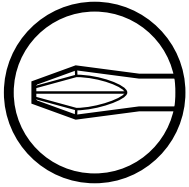
CUP/UPC code: 772830164367

Assembly Manual / Guide d'assemblage / Manual de ensamblaje / 조립설명서 / Montageanleitung

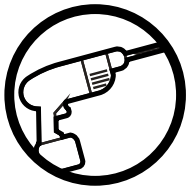




Use the hex keys in the box. / Utilisez les clés hexagonales fournies dans la boîte. / Utilice las llaves hexagonales en la caja. / 상자에 육각 키를 사용 하십시오. / Verwenden Sie die Sechskantschlüssel in der Box.



Please use a Phillips screwdriver. / Utilisez un tournevis de type Phillips / Por favor, use un destornillador Phillips. / 십자 드라이버를 사용 하십시오. / Bitte verwenden Sie einen Kreuzschraubenzieher.



You may need to use a drill for this step. / Vous pouvez avoir besoin d'utiliser une perceuse pour cette étape. / Puede que tenga que utilizar un taladro para este paso. / 이 단계에선 드릴을 사용해야 할 수도 있습니다. / Für diesen Schritt können Sie einen Bohrer verwenden.



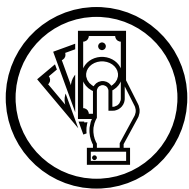
Wearing protective gloves is recommended. / Le port de gants de protection est recommandé / El uso de guantes de protección se recomienda. / 보호 장갑을 착용 하는 것이 좋습니다. / Das Tragen von Schutzhandschuhen wird empfohlen.



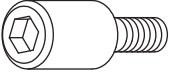



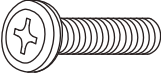

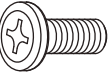


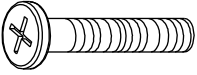
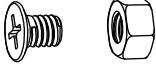


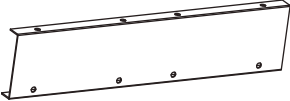

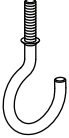
Two or more people are required at this stage. / Deux personnes ou plus sont nécessaires à cette étape. / Dos o más personas se requieren en esta etapa. / 이 단계에서는 두 명 이상이 필요합니다. / Für diesen Bauschritt sind 2 oder mehr Personen erforderlich.

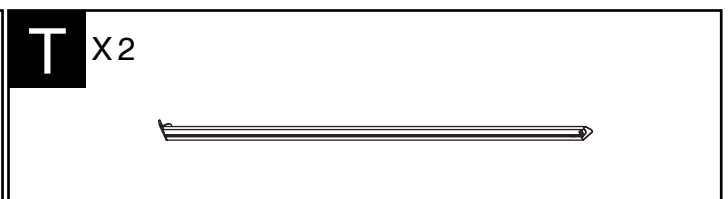
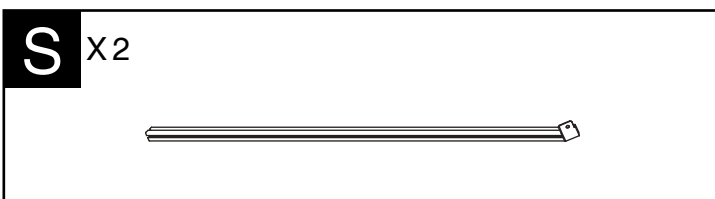
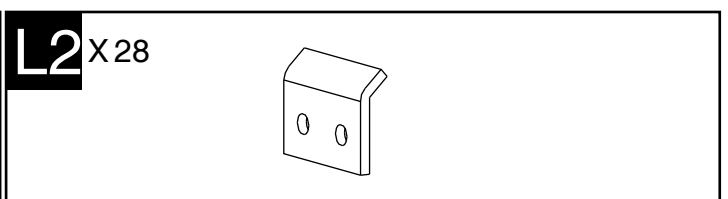
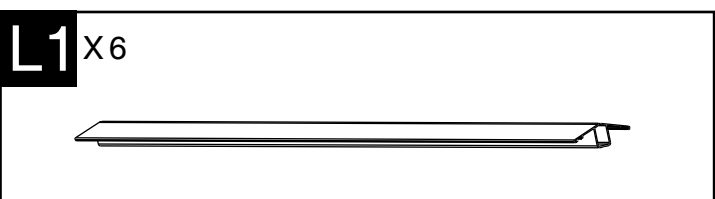
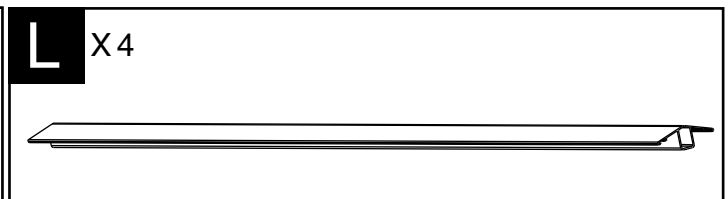
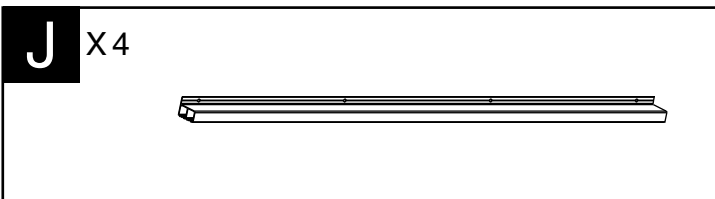
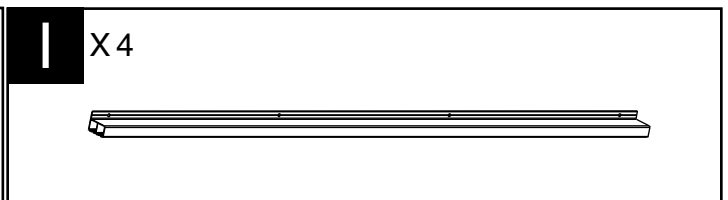
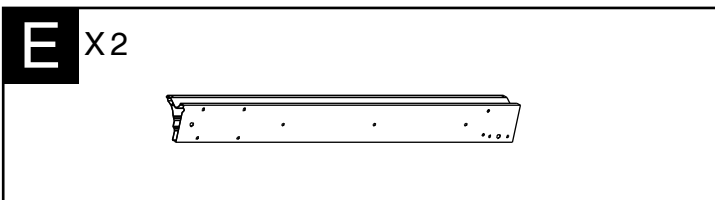
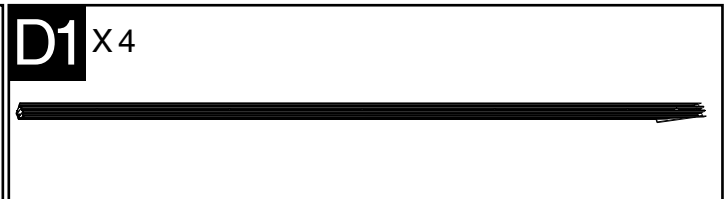
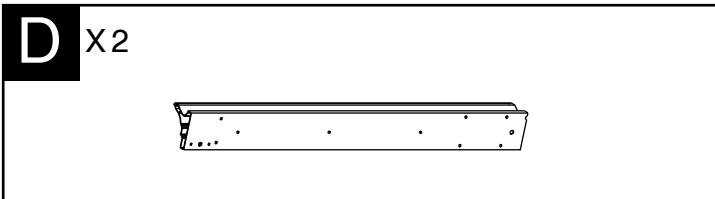
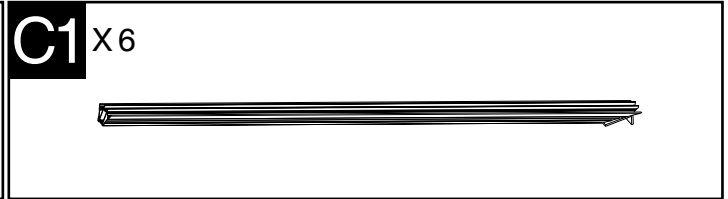
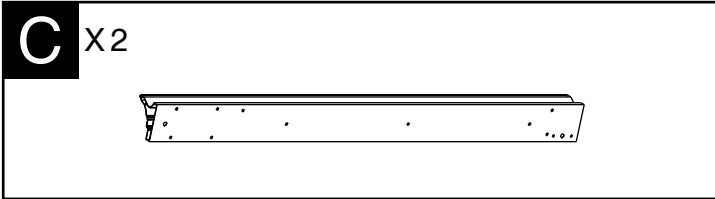
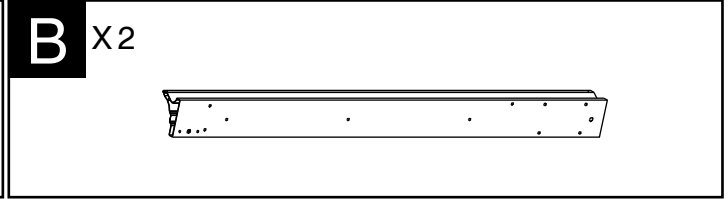
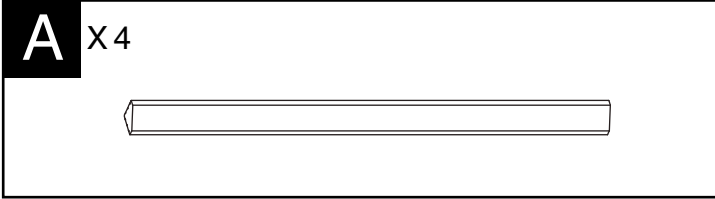


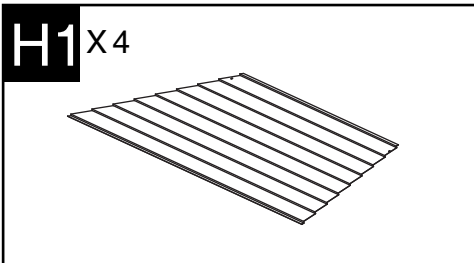
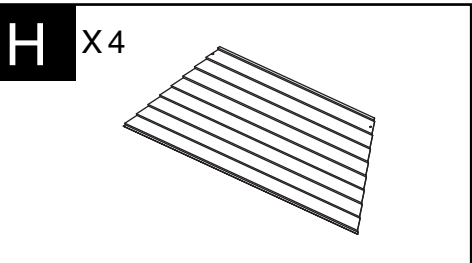
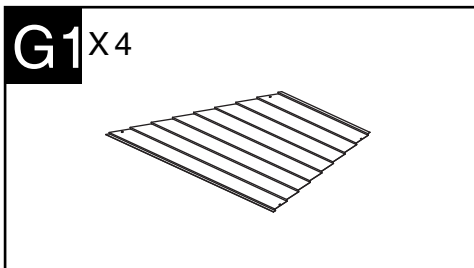
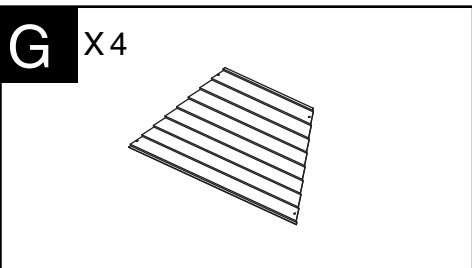
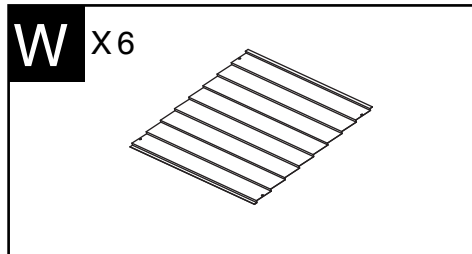
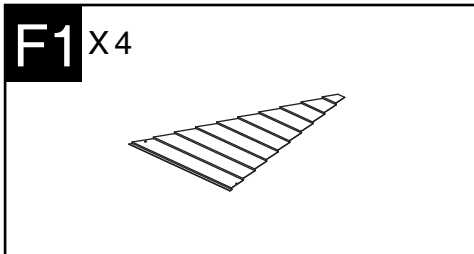
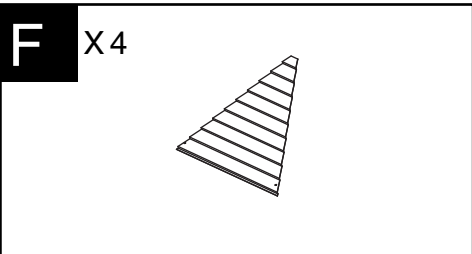
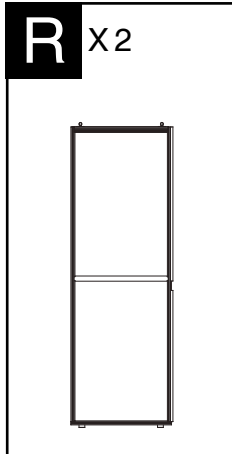
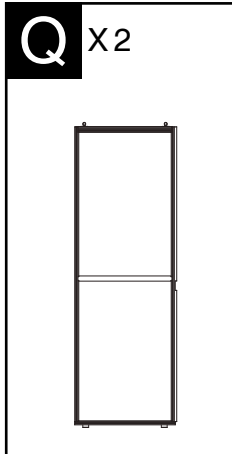
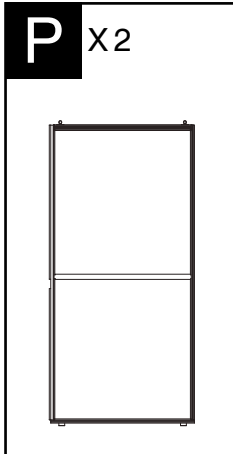
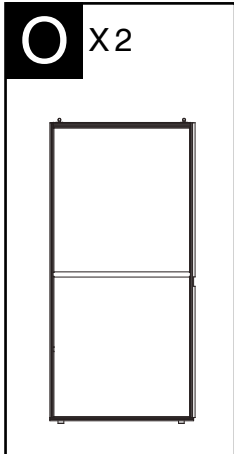
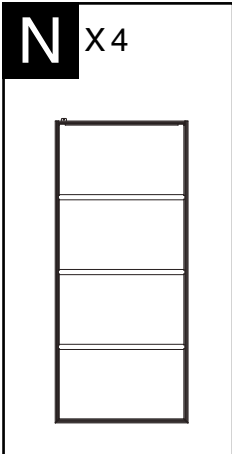
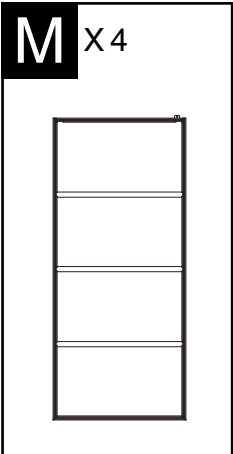
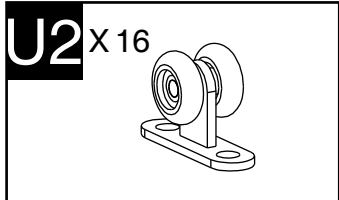
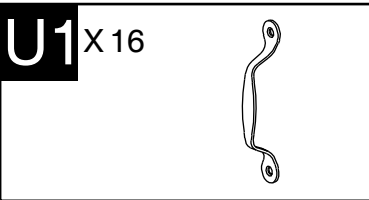
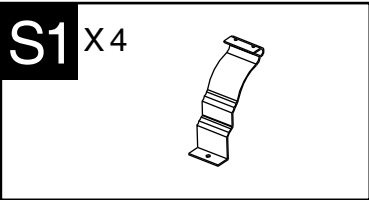
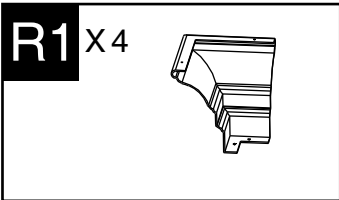
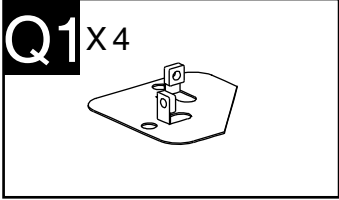
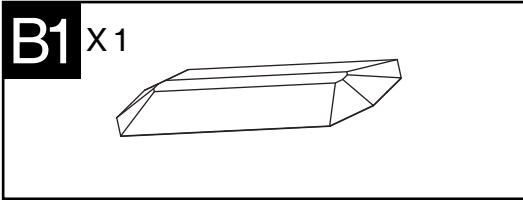
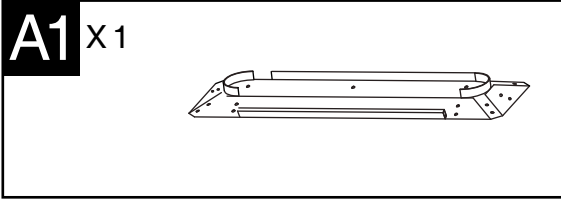
Do not tighten screws all the way for now. / Ne pas visser fermement pour l'instant. / No atornille con firmeza por ahora. / 아직 나사를 단단히 조이지 마십시오. / Bitte die Schrauben zum jetzigen Zeitpunkt noch nicht fest anziehen.

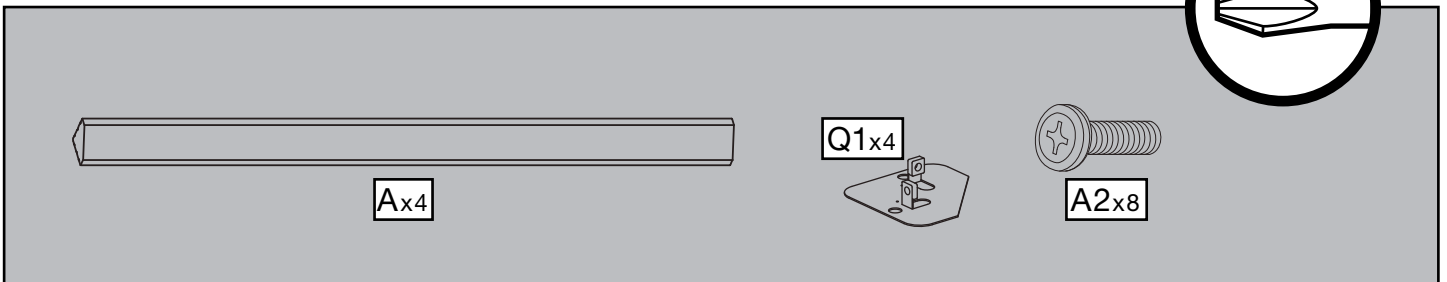
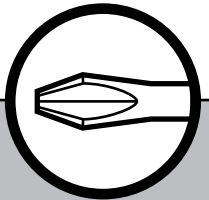
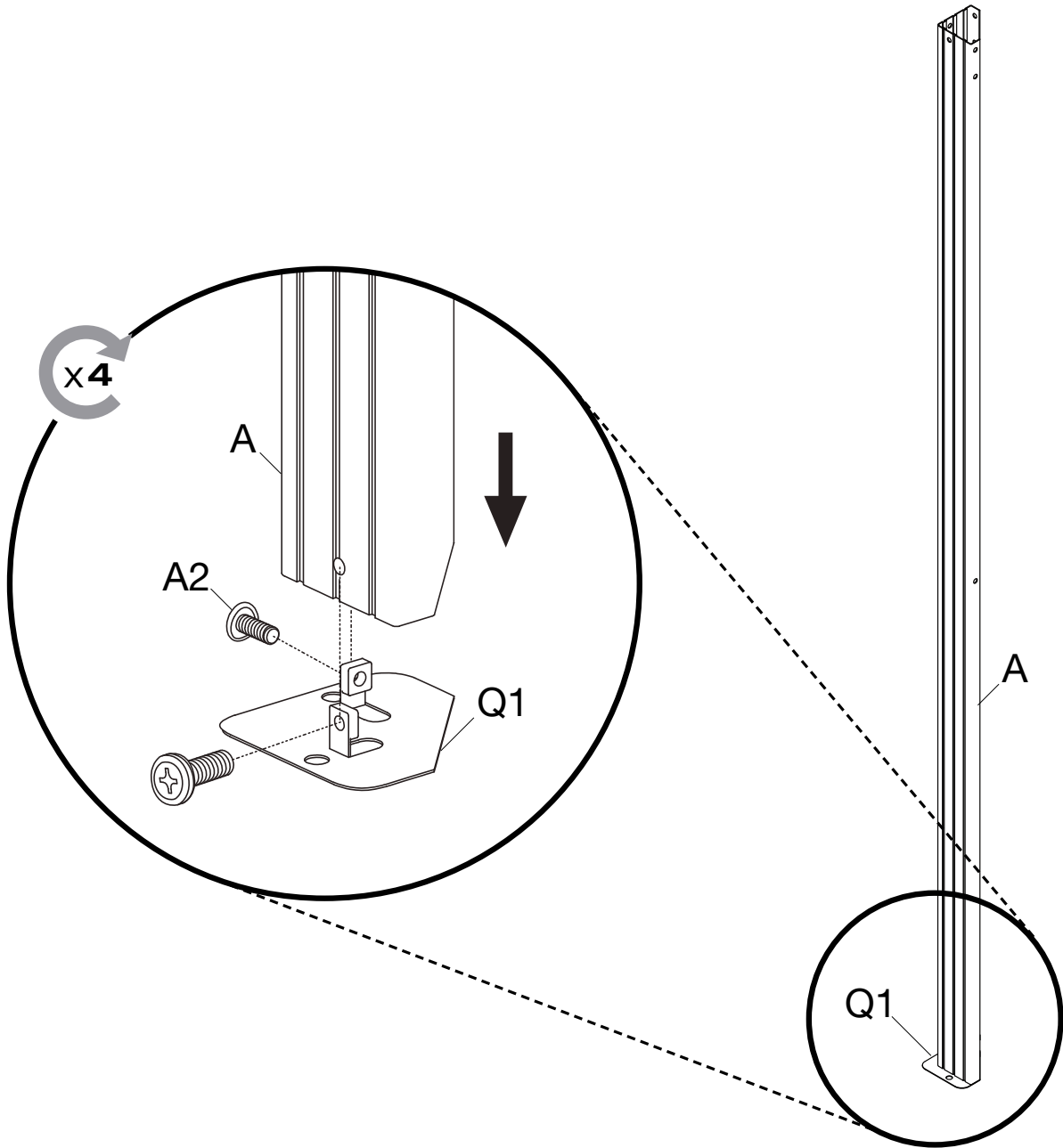


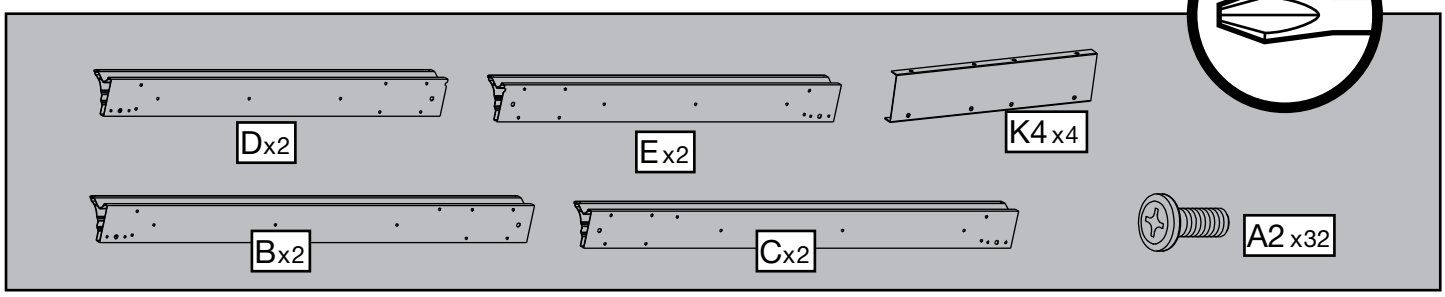
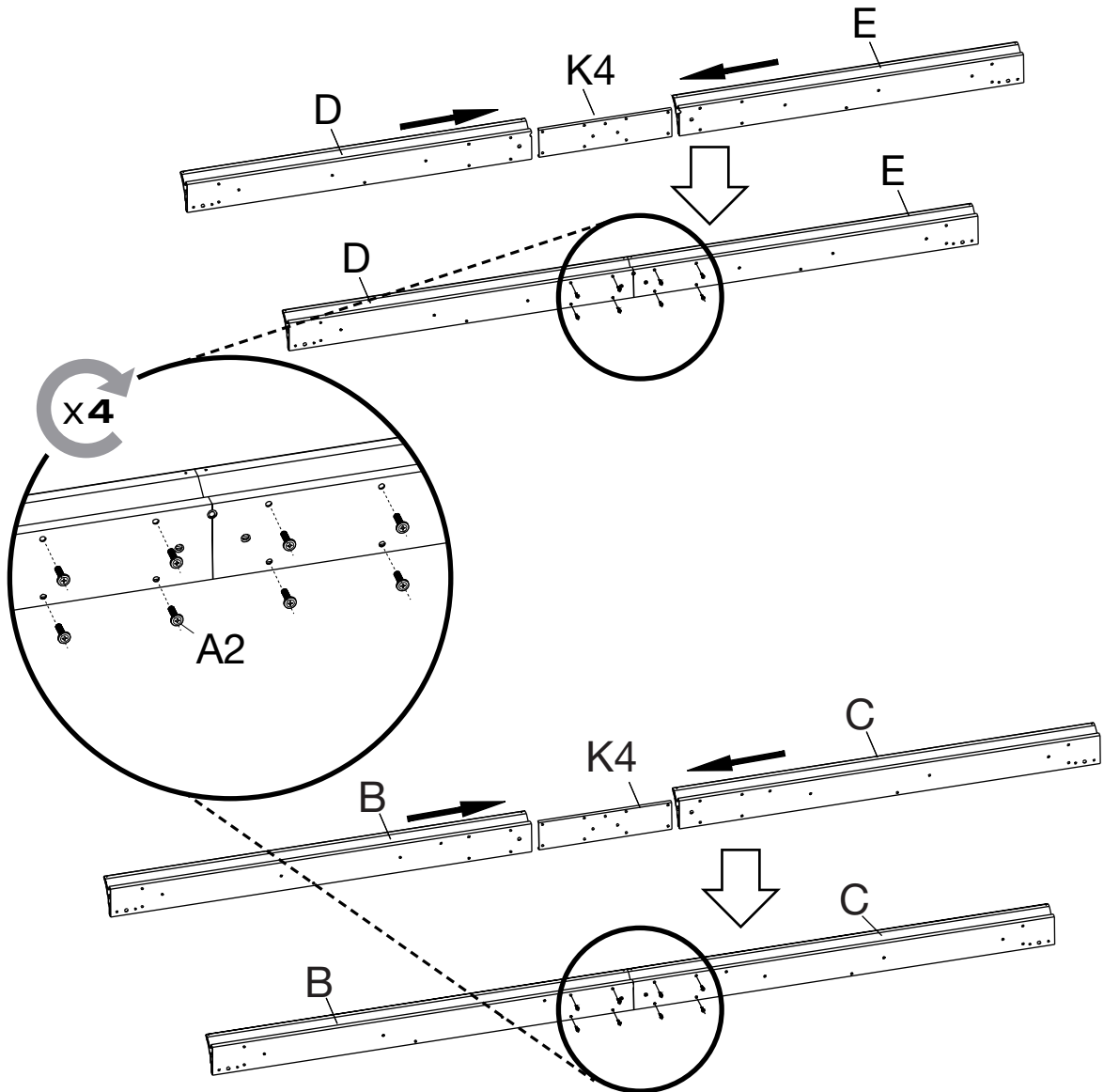
Sold separately. / Vendus séparément. / vendido en las opciones. / 옵션 판매 / Optional erhältlich

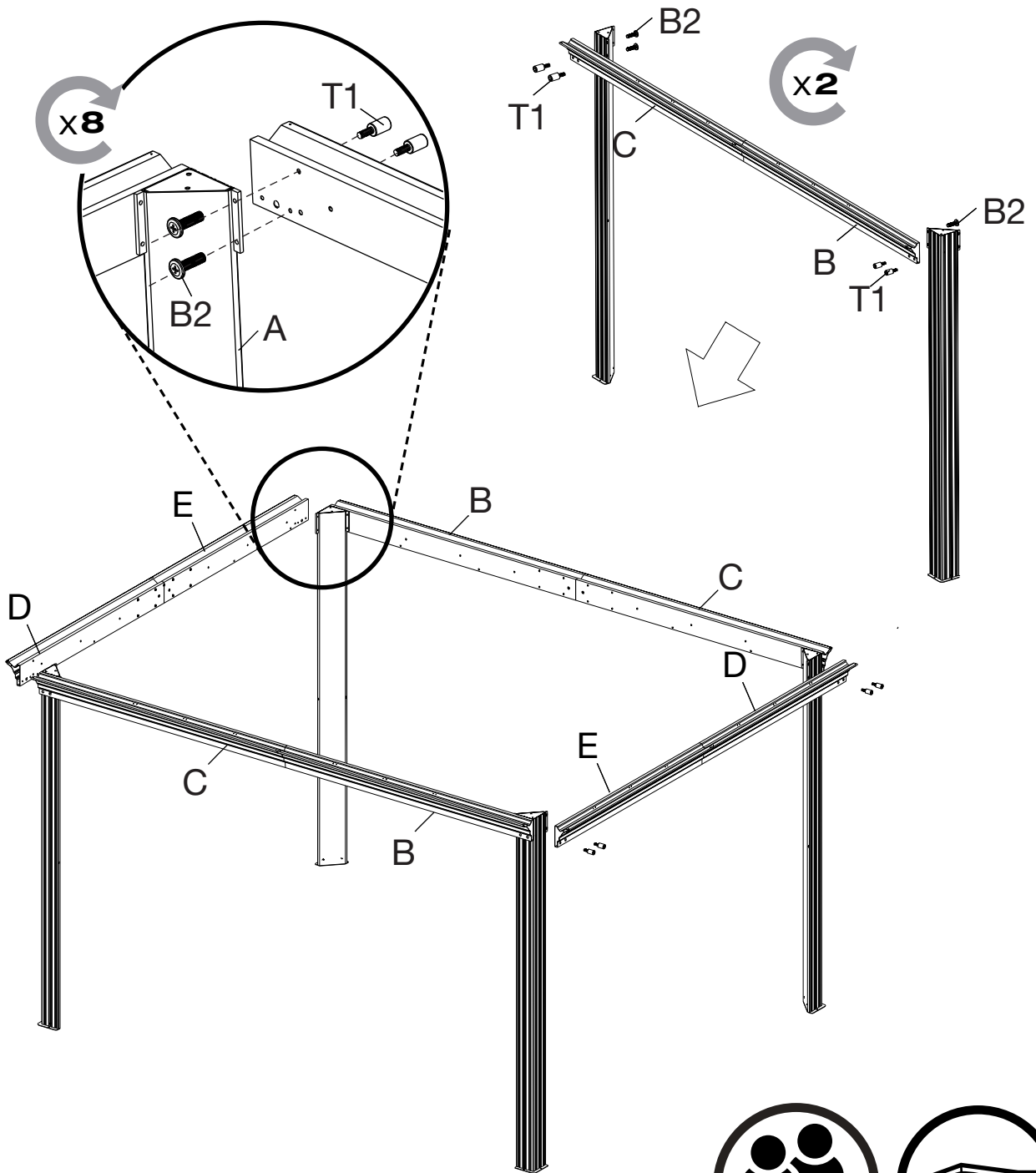
| | | |
|--|--|---|
| T1 X 16 (+2)  | V1 X 16 (+2)  | |
| A2 X 158 (+10)  | B2 X 20 (+2)  | |
| C2 X 16 (+2)  | D2 X 21 (+2)  | |
| E2 X 32 (+3)  | F2 X80 (+6)  | H2 X 16(+2)  |
| I2 X54 (+4)  | J2 X 40(+4)  | K2 X 4  |
| K3 X 8  | K4 X 4  | |
| G2 X 1  | Y X 2  | |



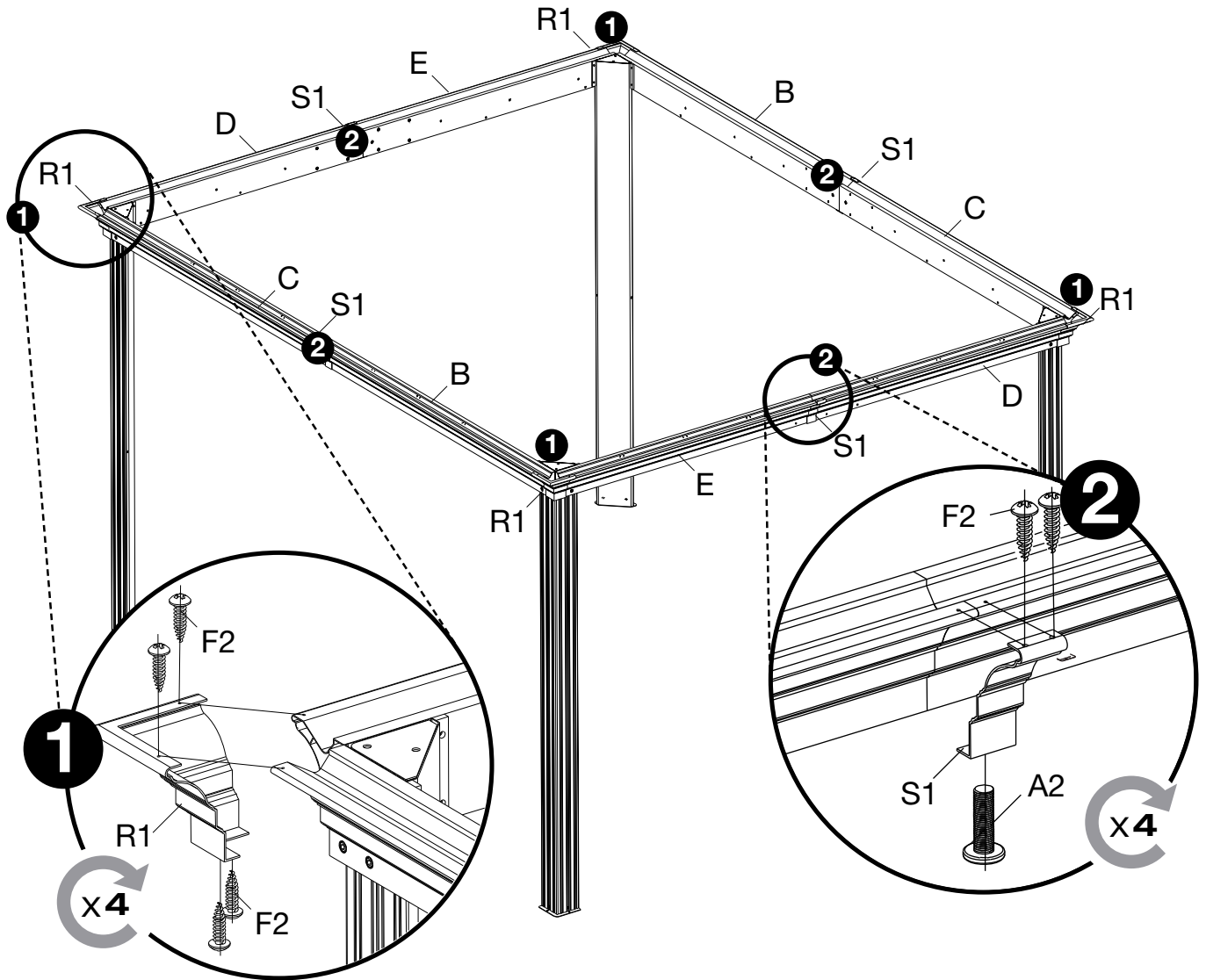




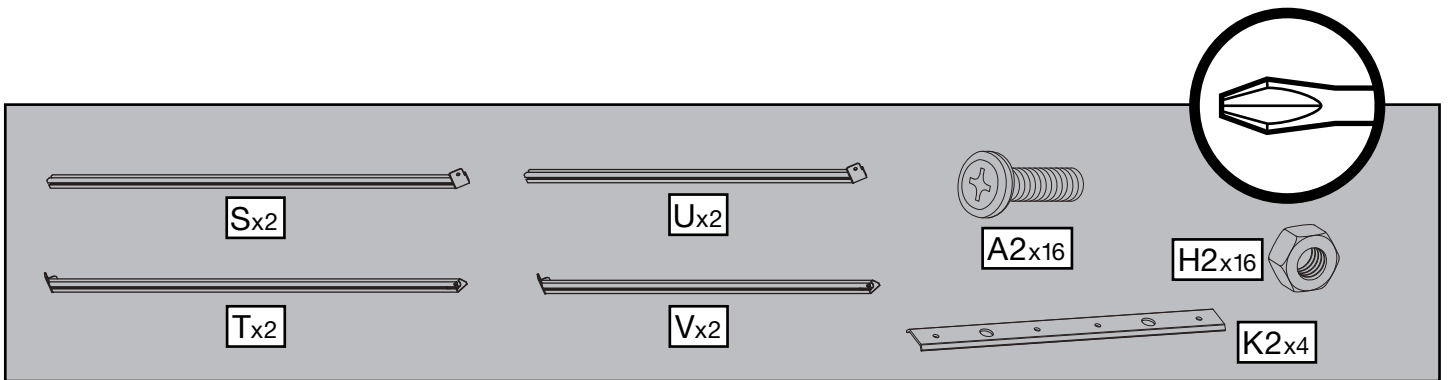
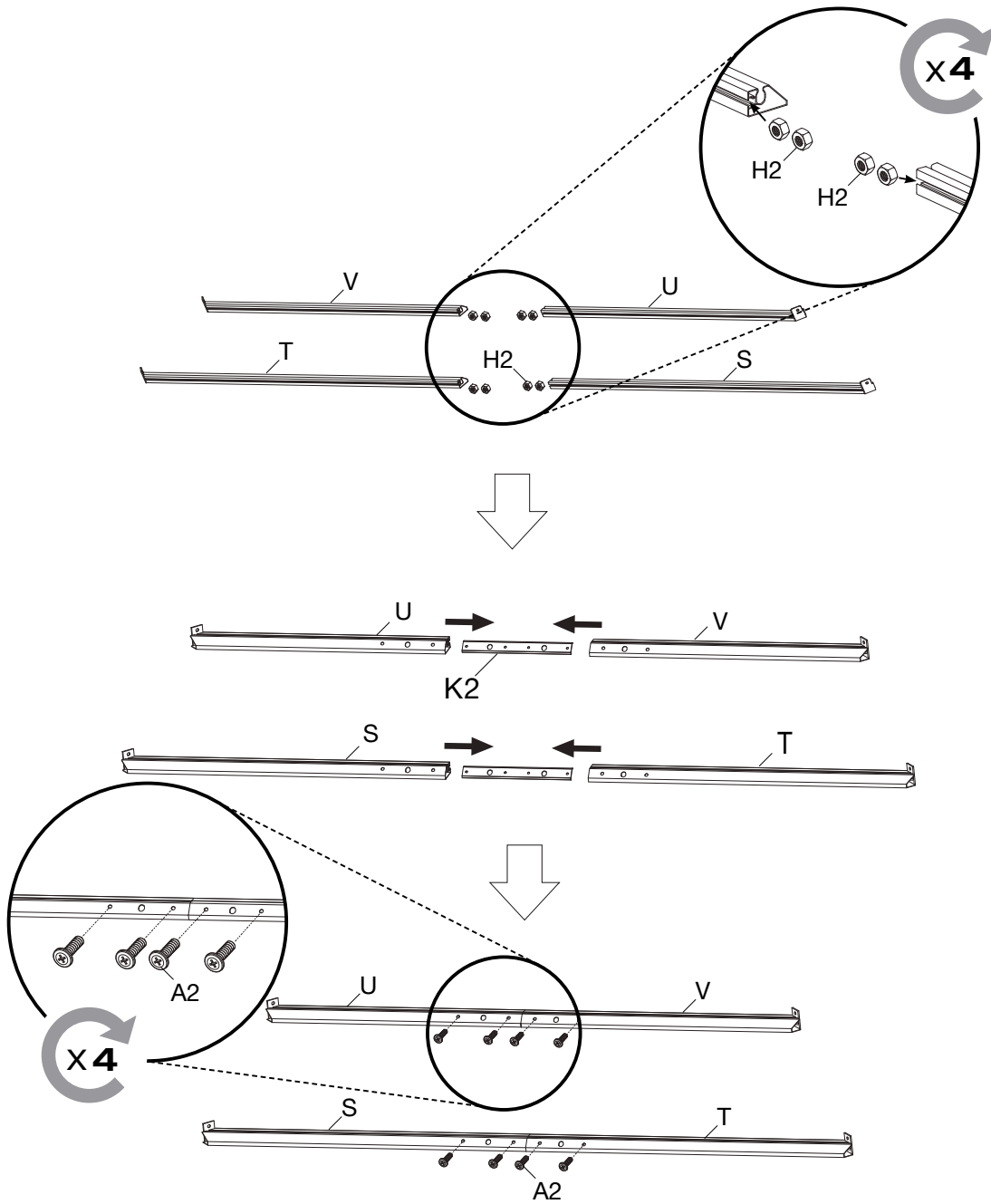


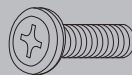
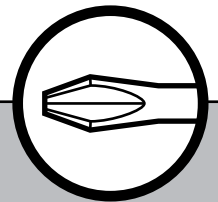
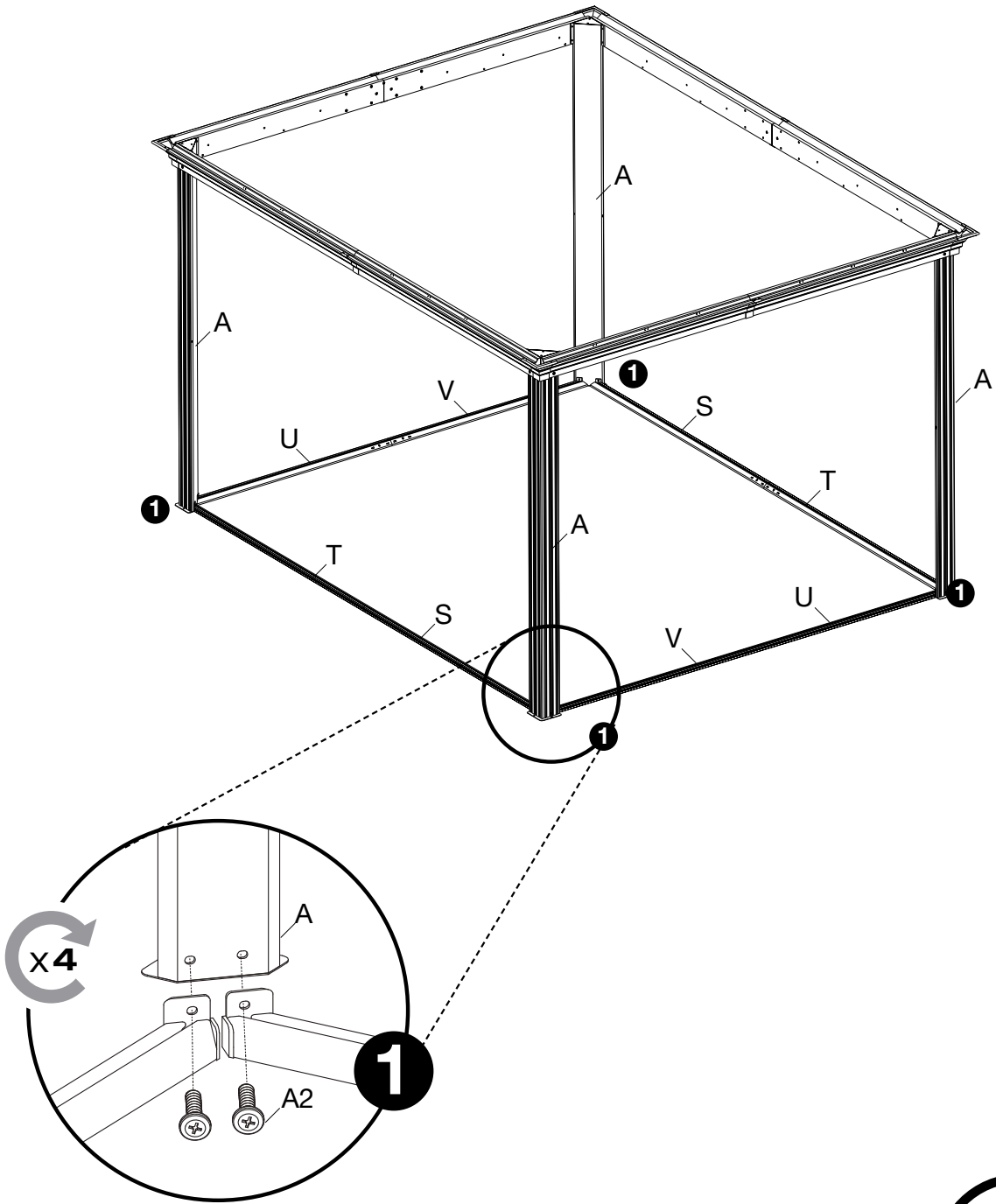


This section contains the parts list and safety icons for step 3/20. It includes two screws: a hex-head screw labeled 'T1x16' and a Phillips-head screw labeled 'B2x16'. To the right are two circular icons: one showing two people and the number '2+', indicating that two people are required for assembly, and another showing a hand using a screwdriver.

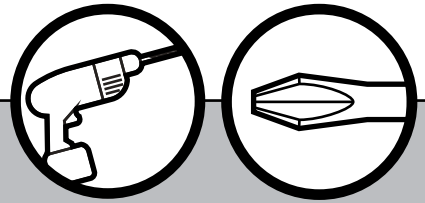
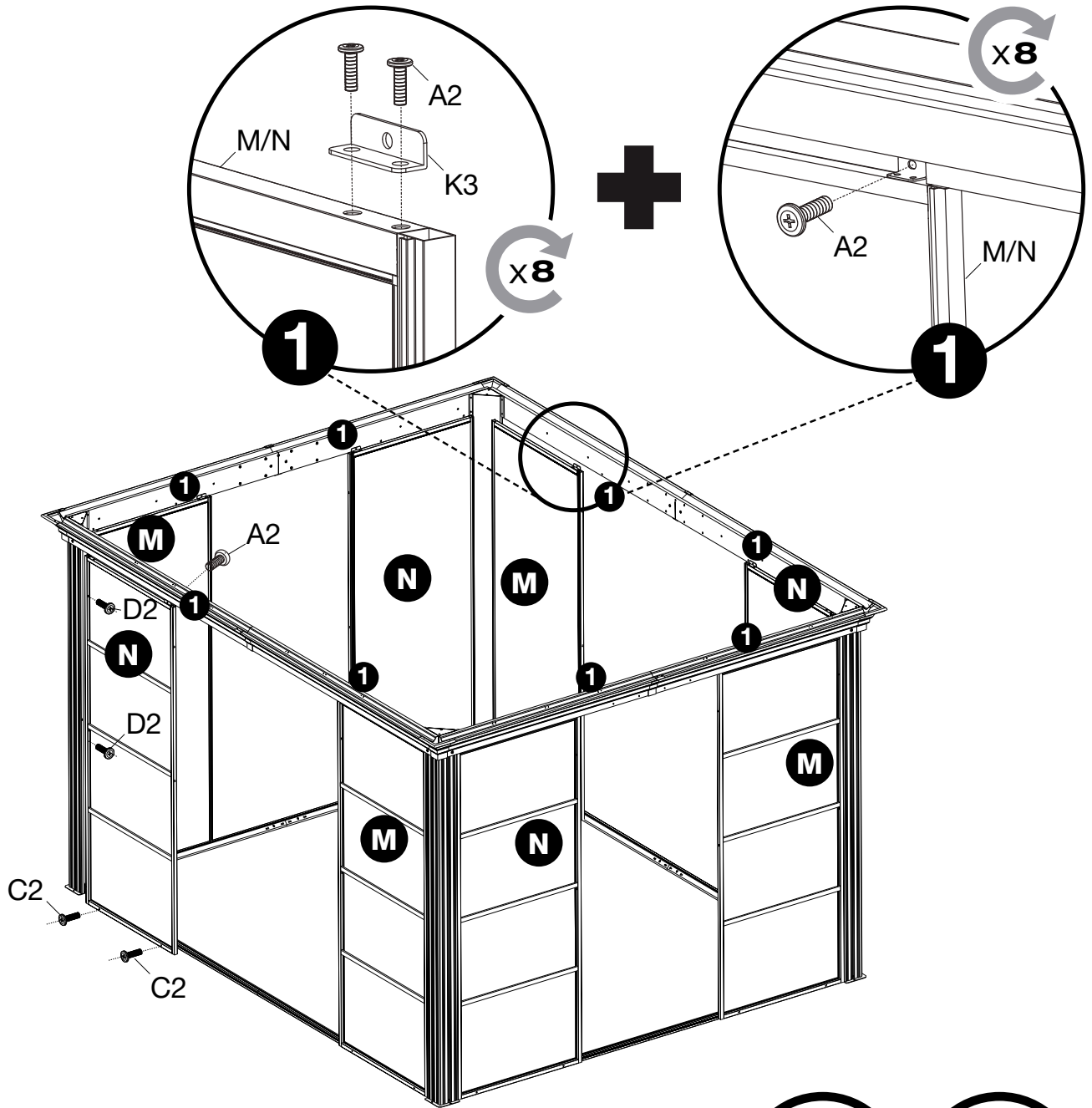



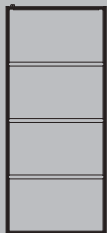
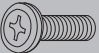



This section contains the parts list and a tool icon. The parts are: R1x4 (corner clips), S1x4 (side clips), F2x24 (screws for R1), and A2x4 (screws for S1). A circular icon shows a screwdriver tip.

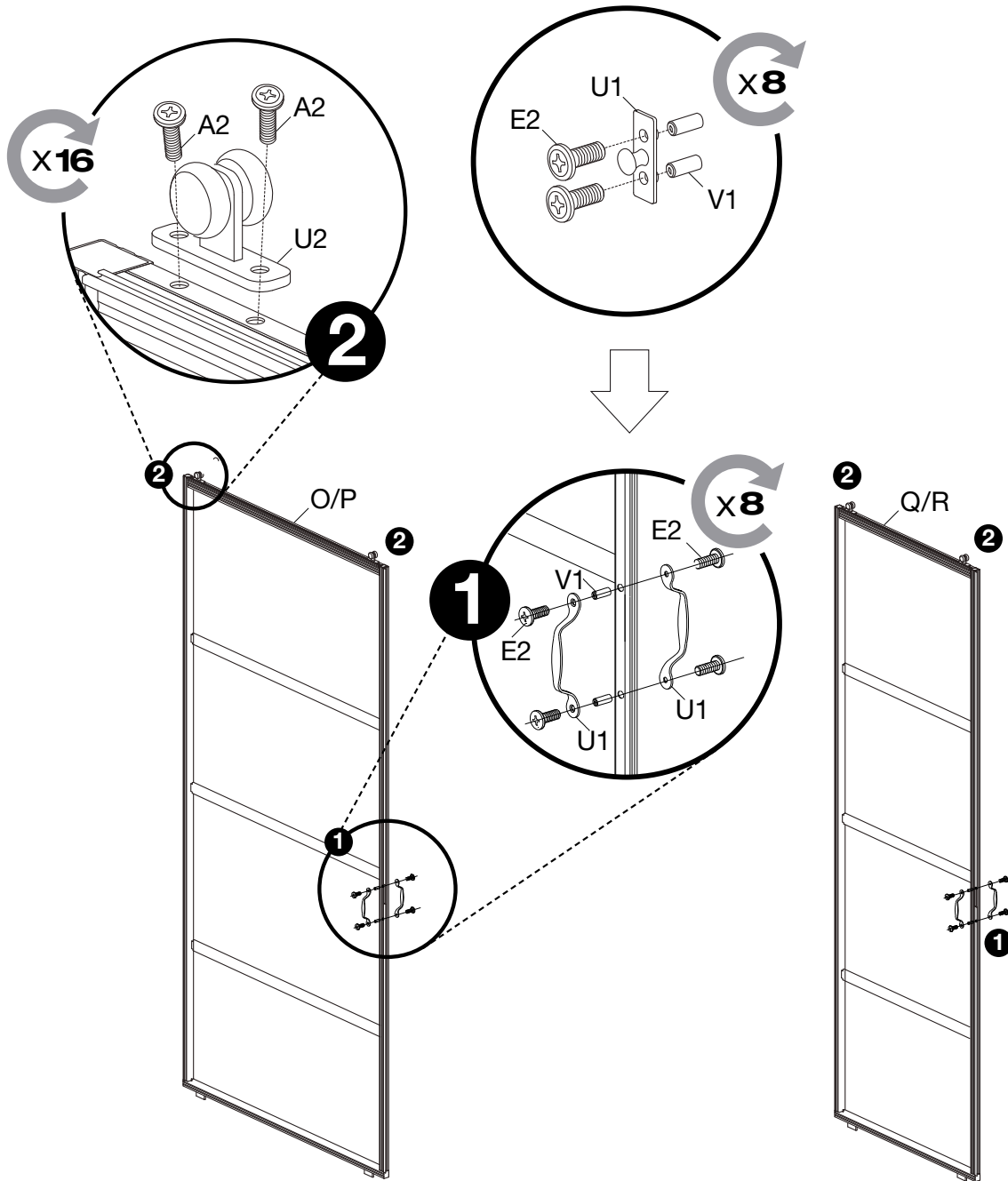




A2x8



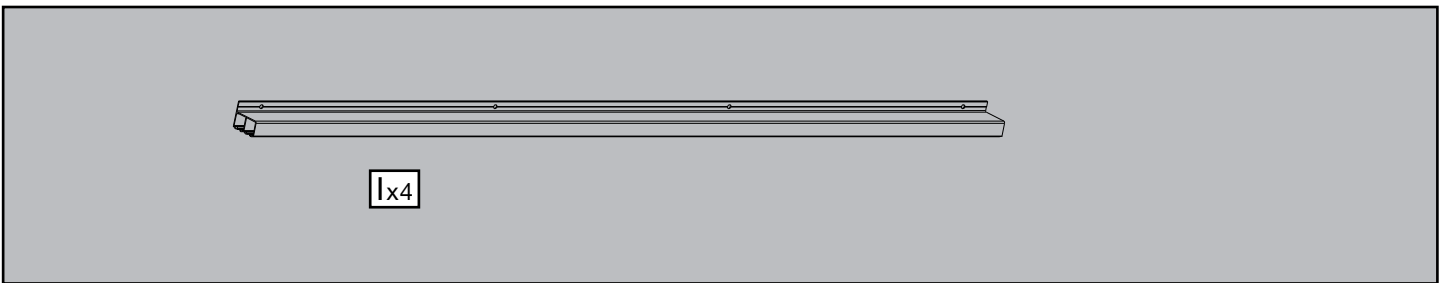
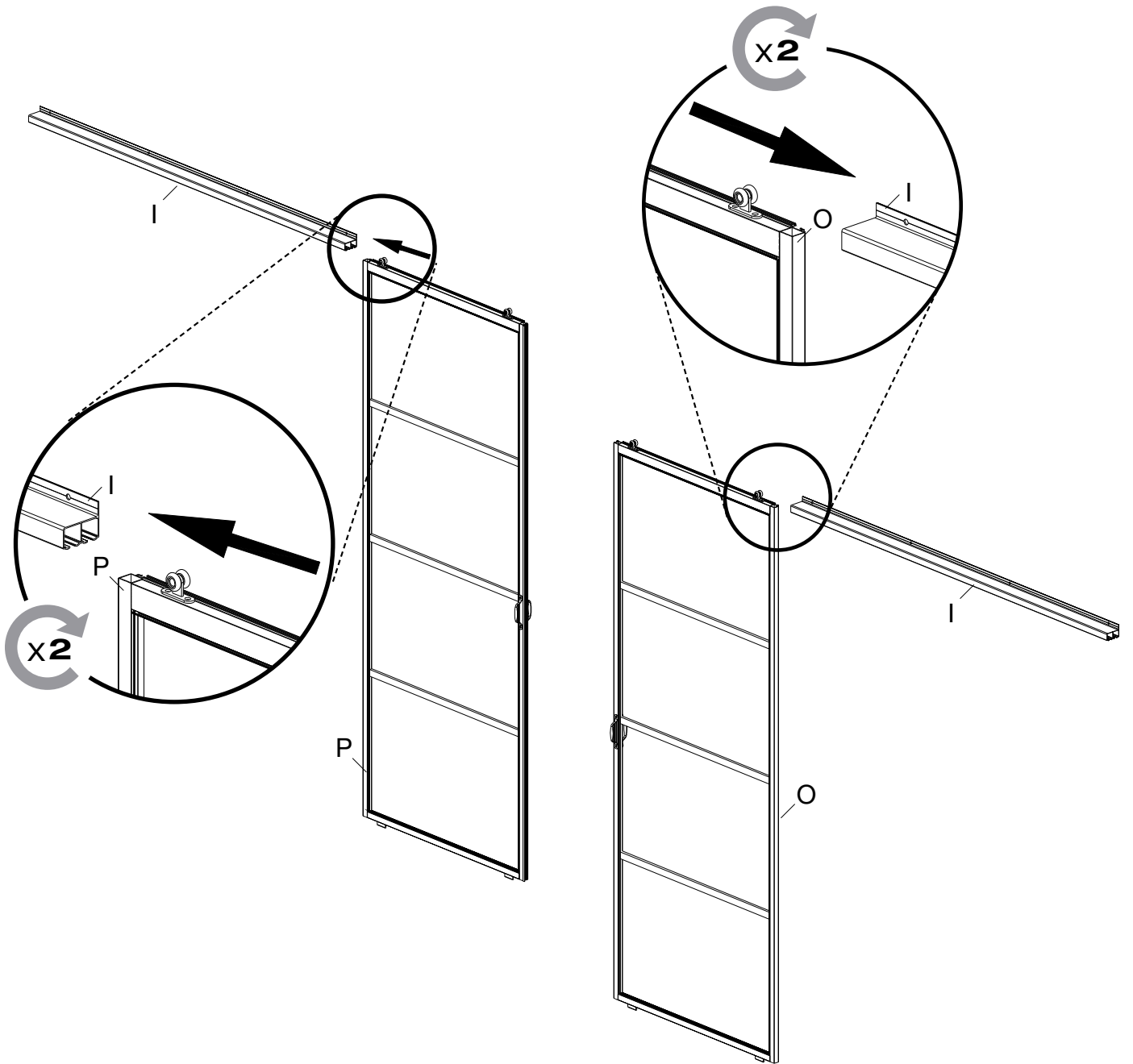
| | | | | | |
|---|---|---|---|---|---|
|  |  |  |  |  |  |
| Mx4 | Nx4 | A2x24 | D2x16 | C2x16 | K3x8 |

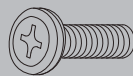
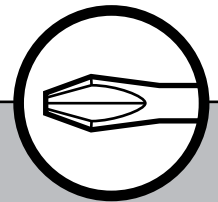
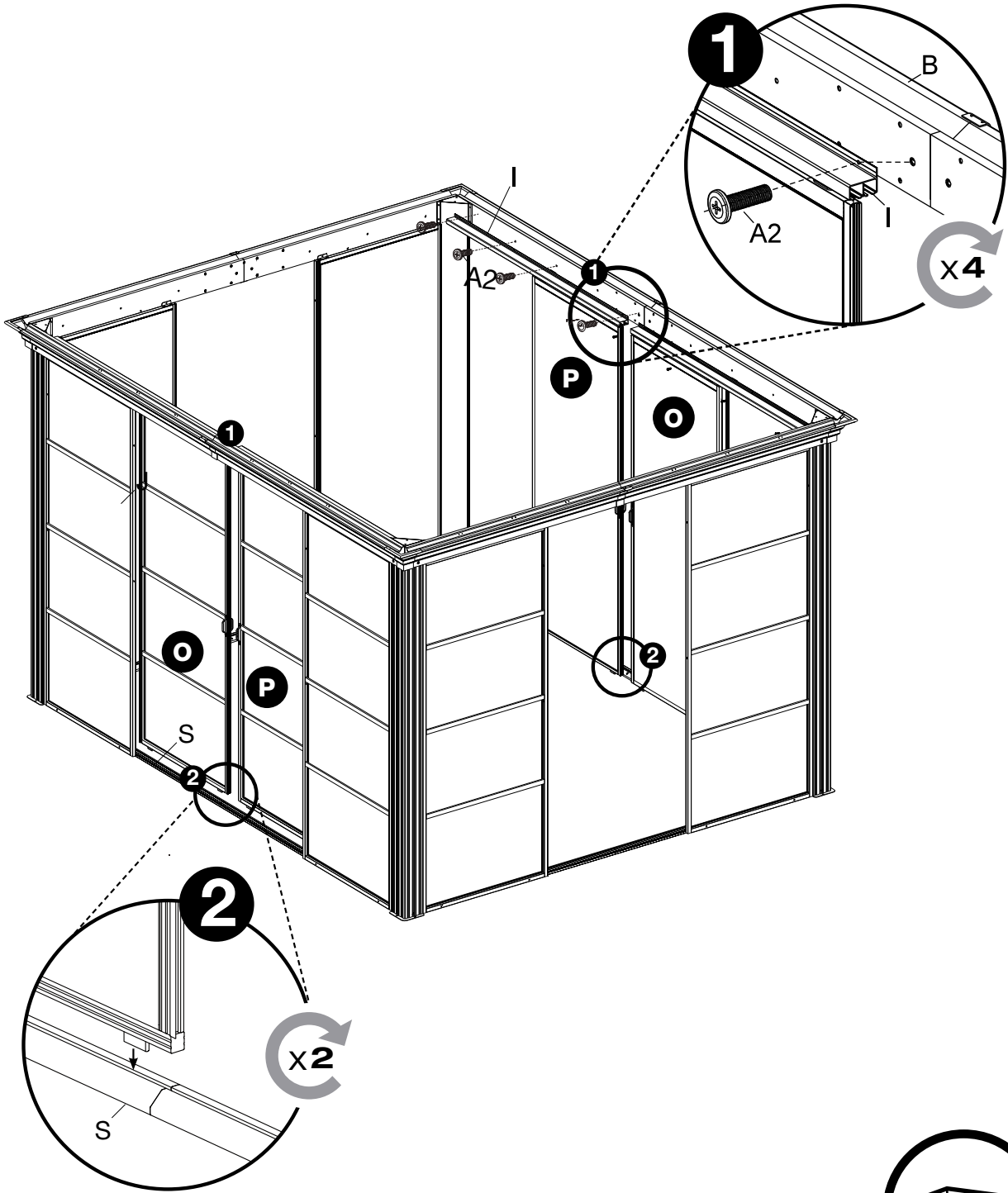


Ox2 **Px2** **Qx2** **Rx2** **A2x32**

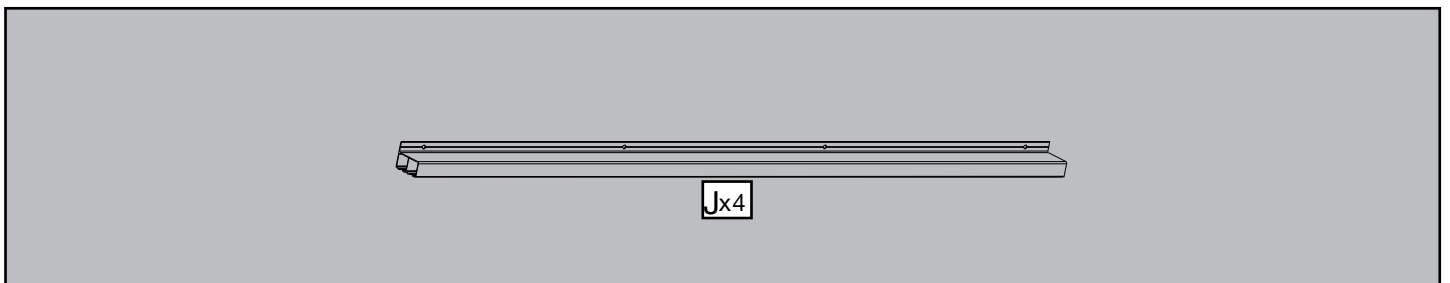
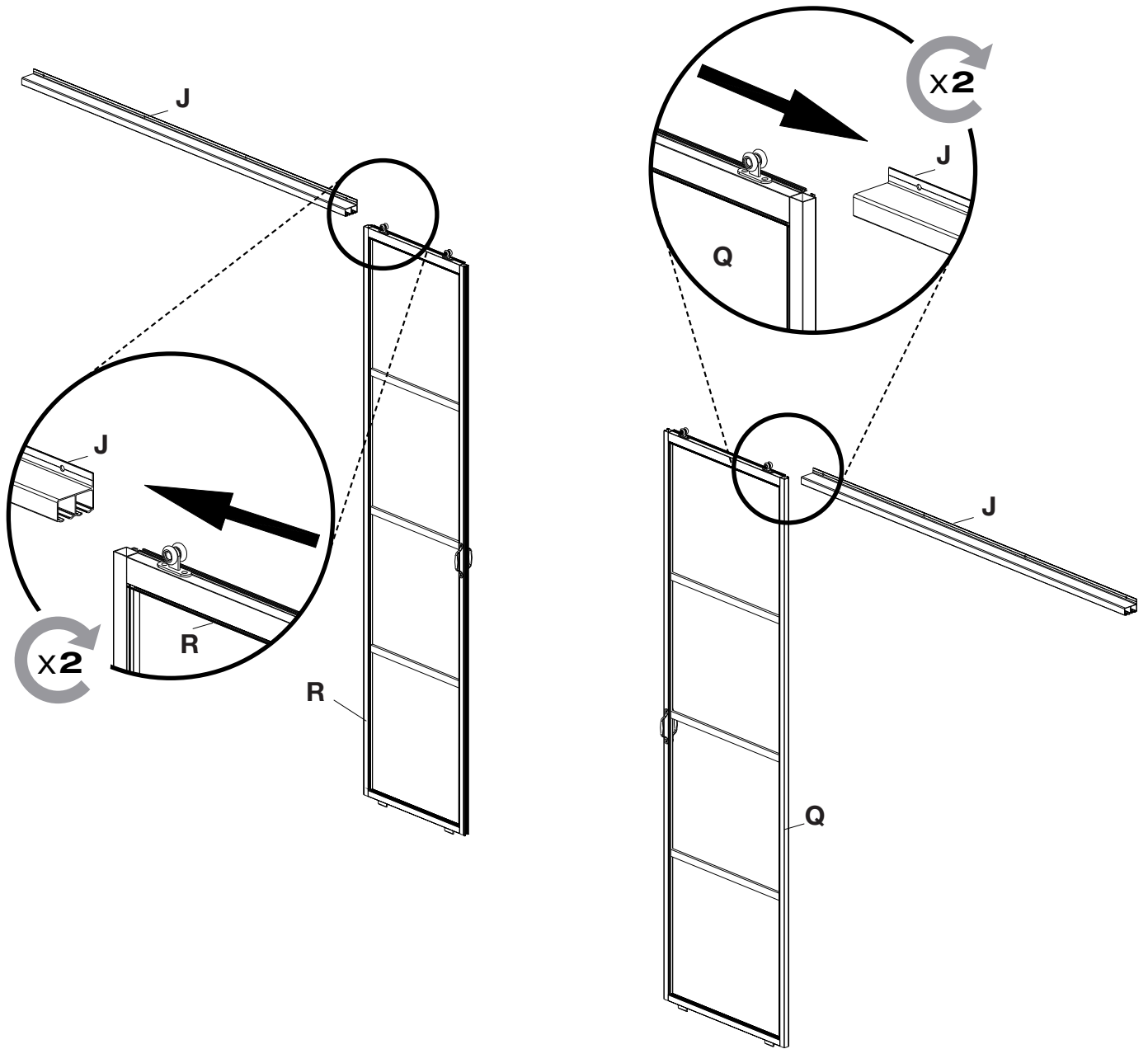
V1x16 **U2x16** **E2x32** **U1x16**

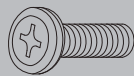
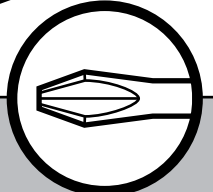
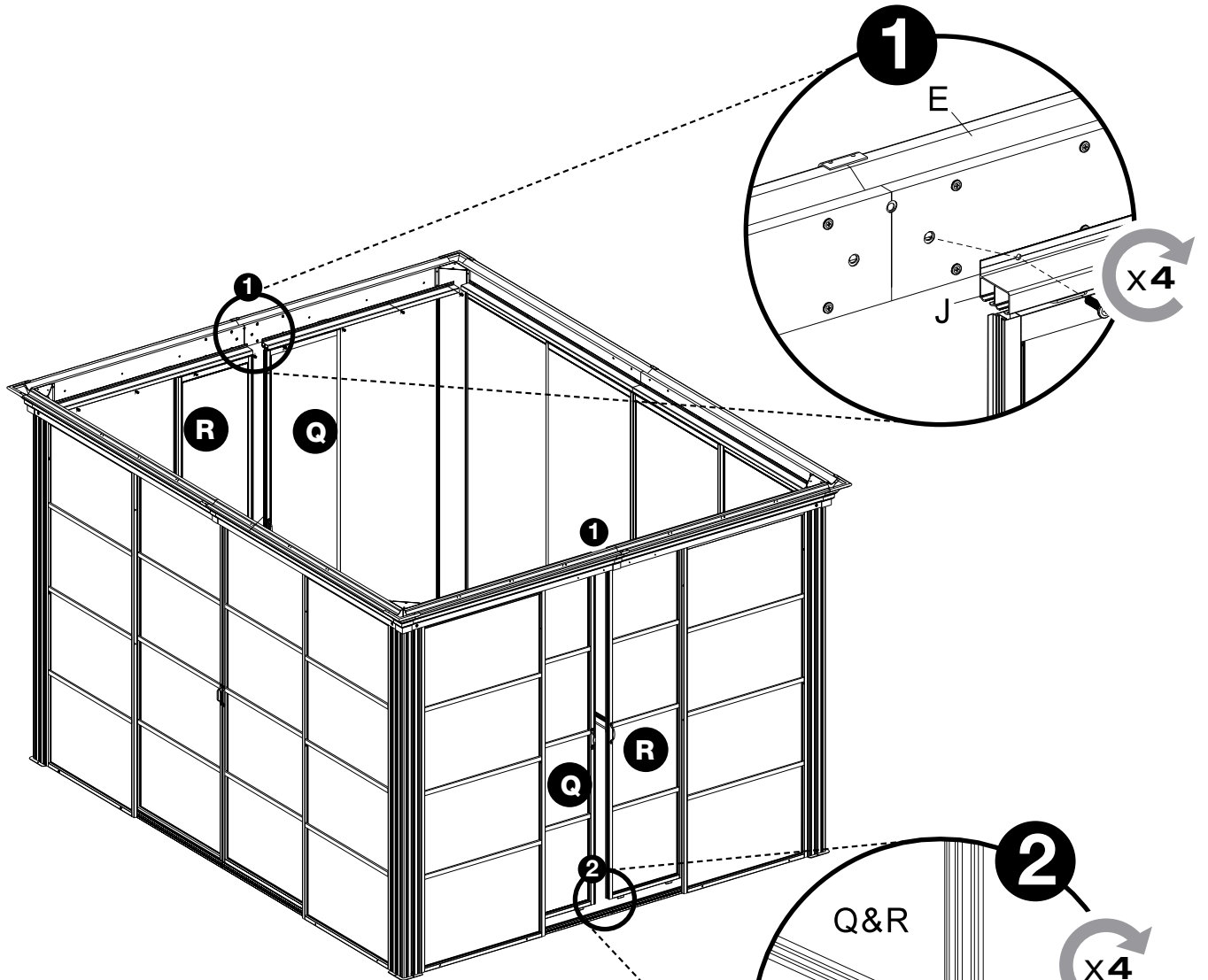
X **X**



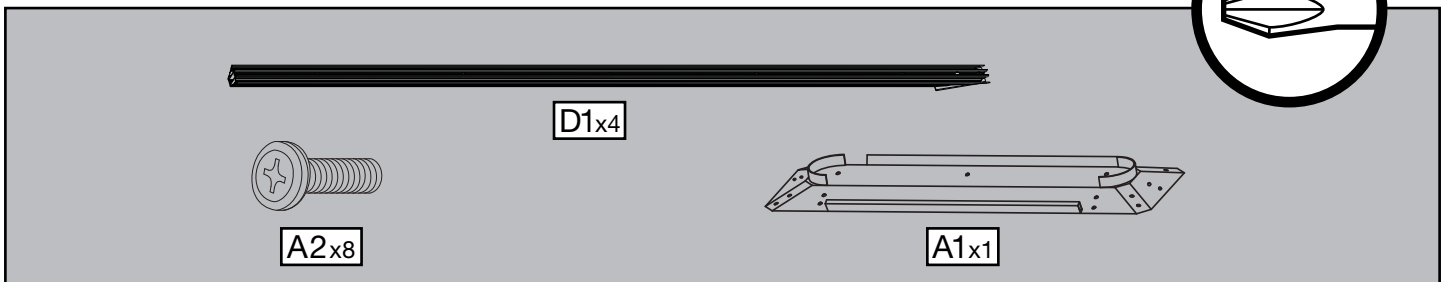
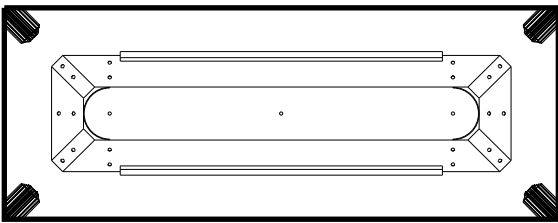
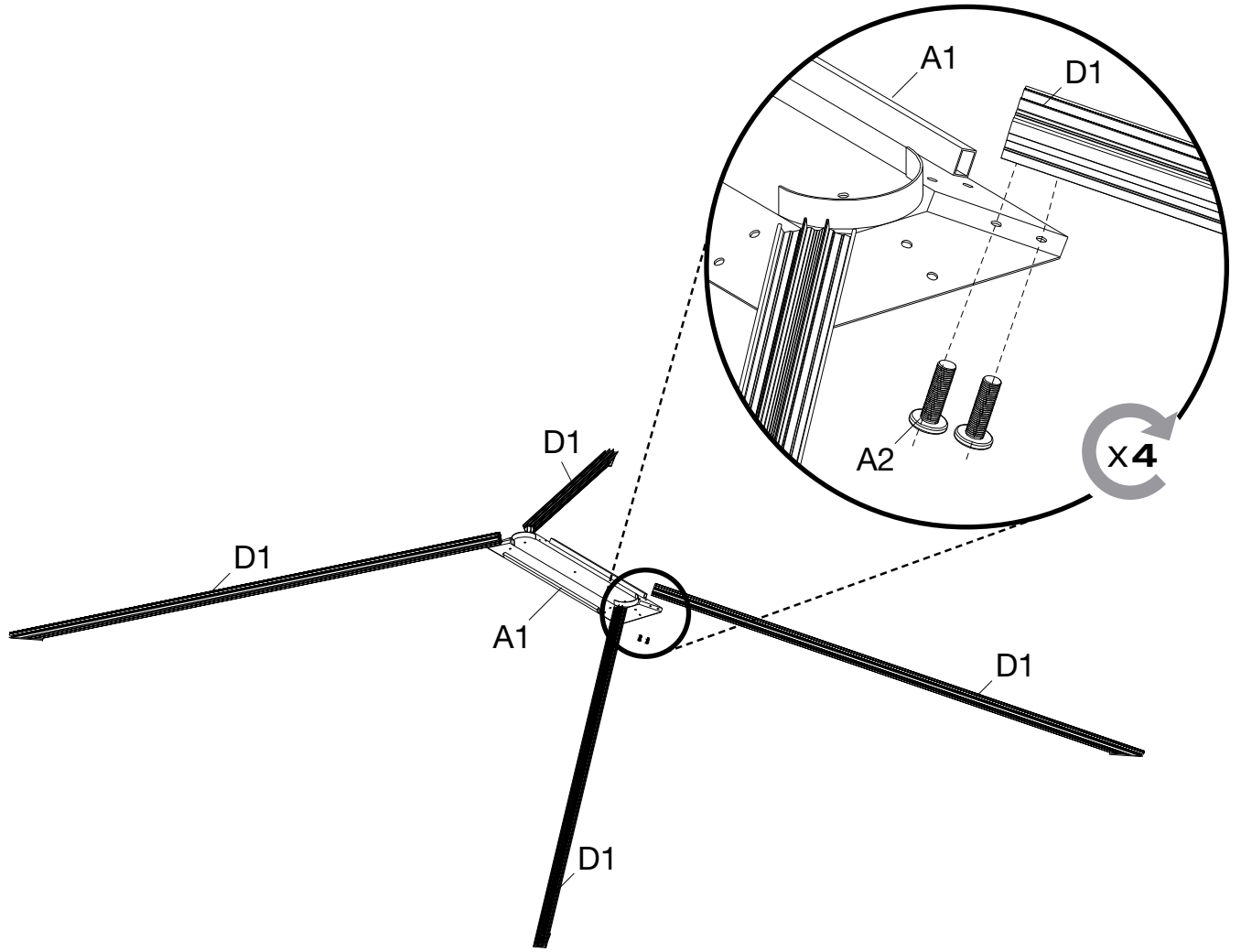


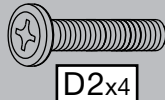
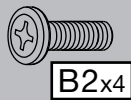
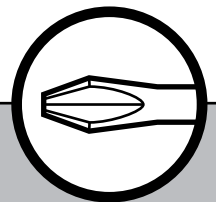
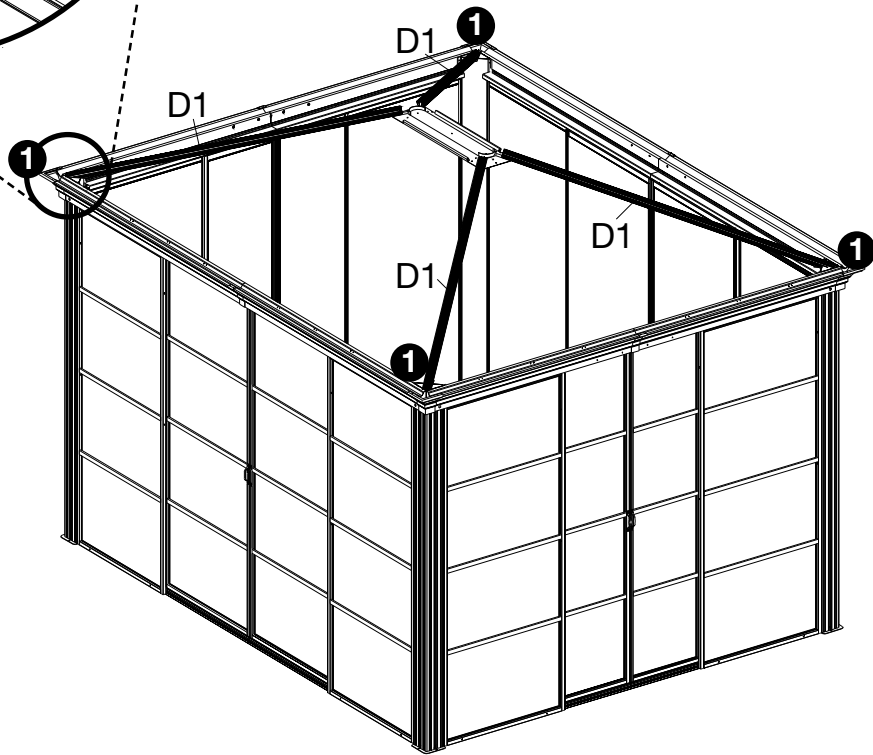
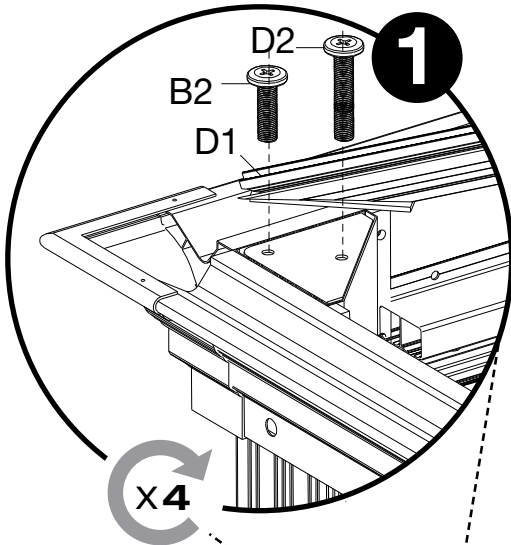
A2x16

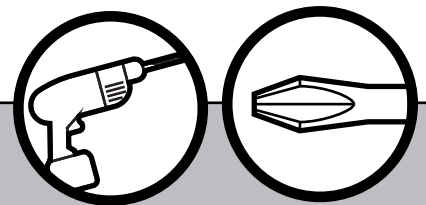
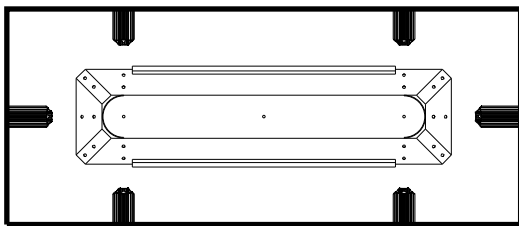
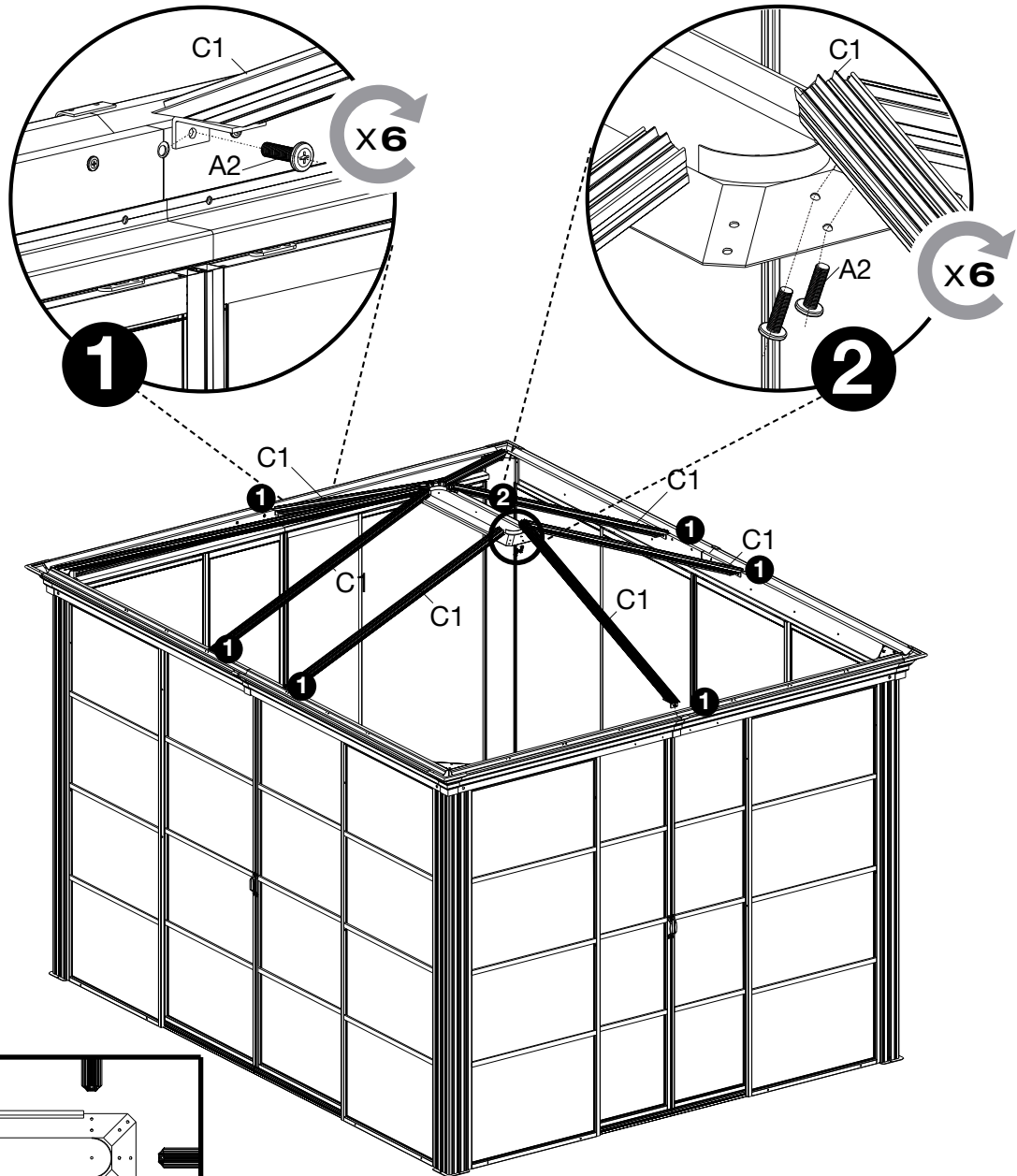




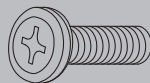
A2x16



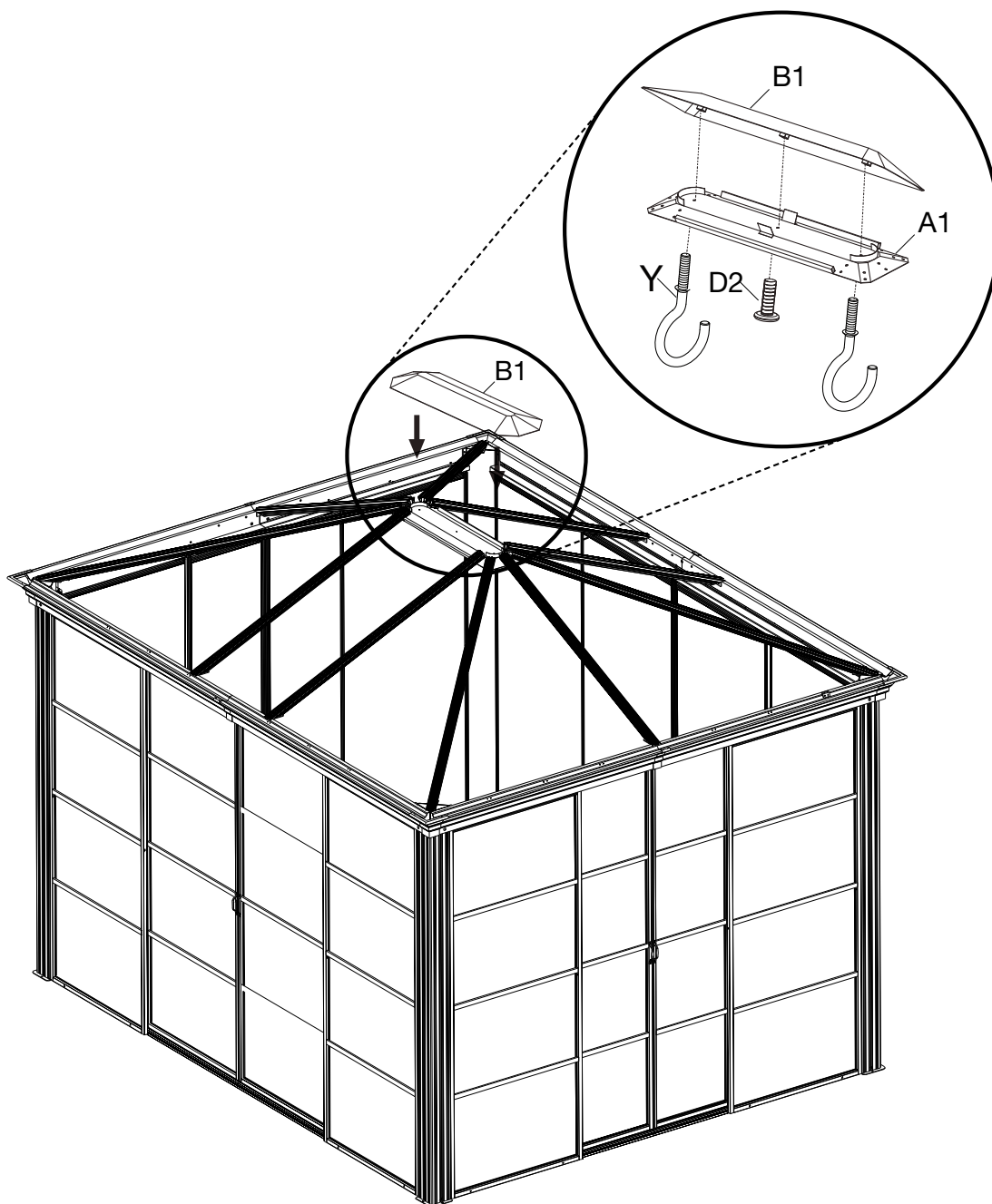




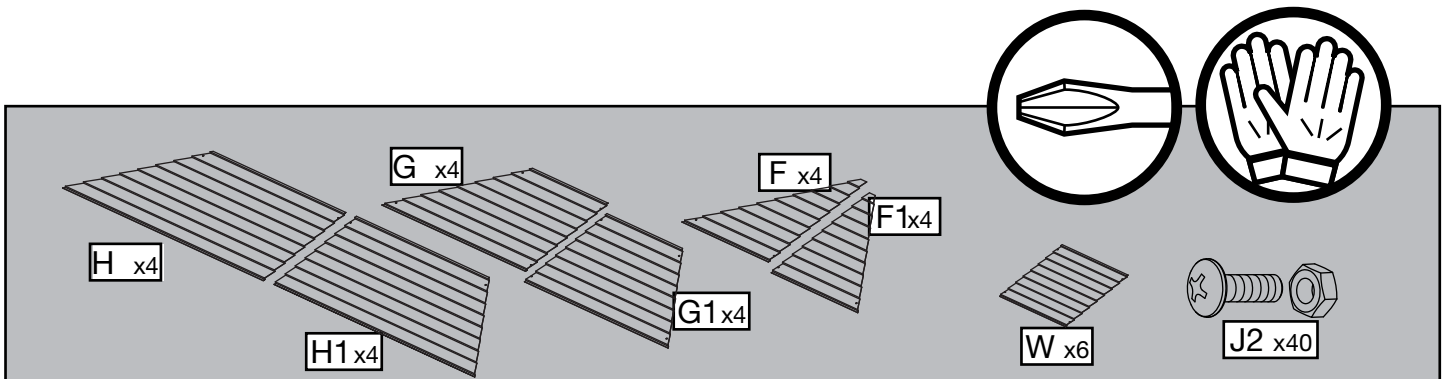
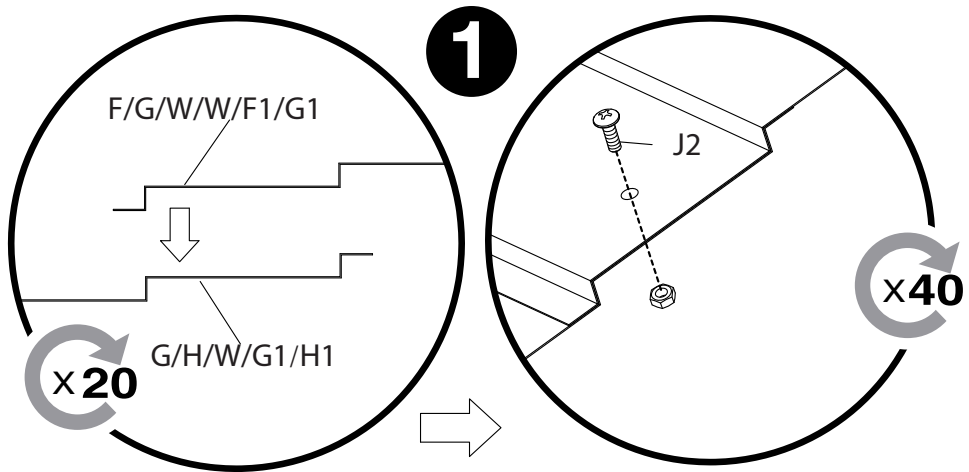
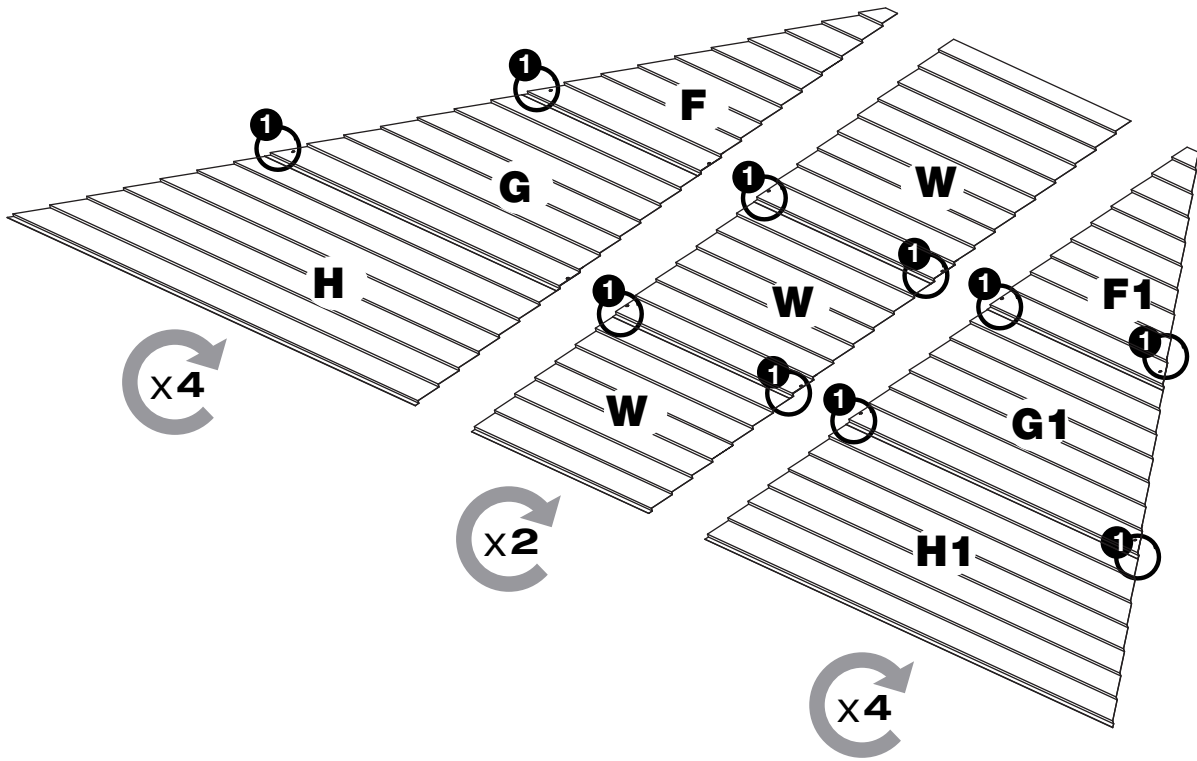
C1 x6

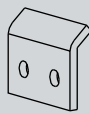
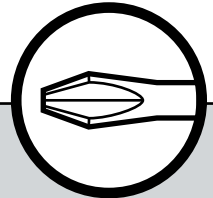
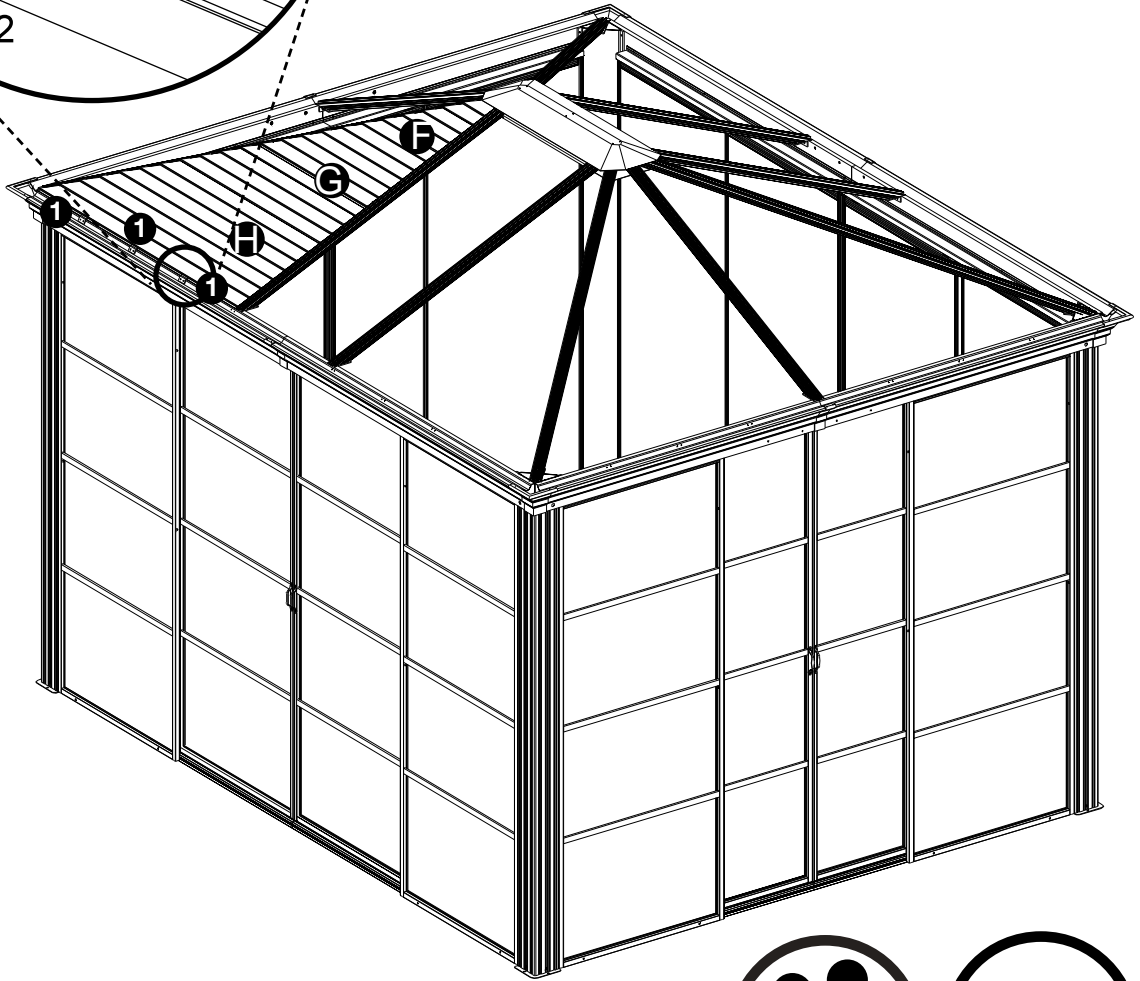
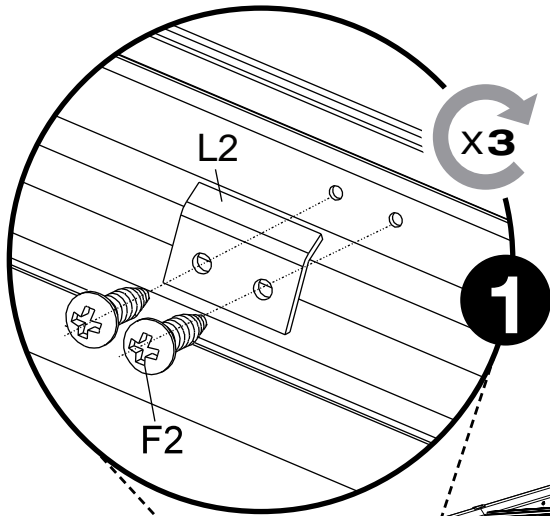


A2 x18

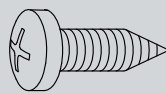


This section contains a parts list and safety icons. On the left, a perspective drawing of a ridge cap is labeled B1x1. In the center, a screw is labeled D2x1. On the right, a curved metal hook is labeled Yx2. To the right of the parts list are two circular icons: the first shows a hand with a diagonal line through it, indicating a warning or prohibition; the second shows a pair of pliers, indicating the required tool.

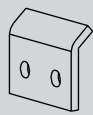
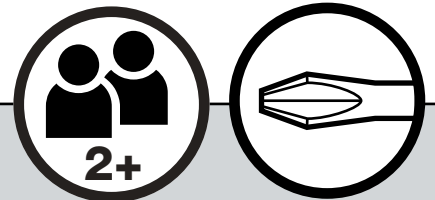
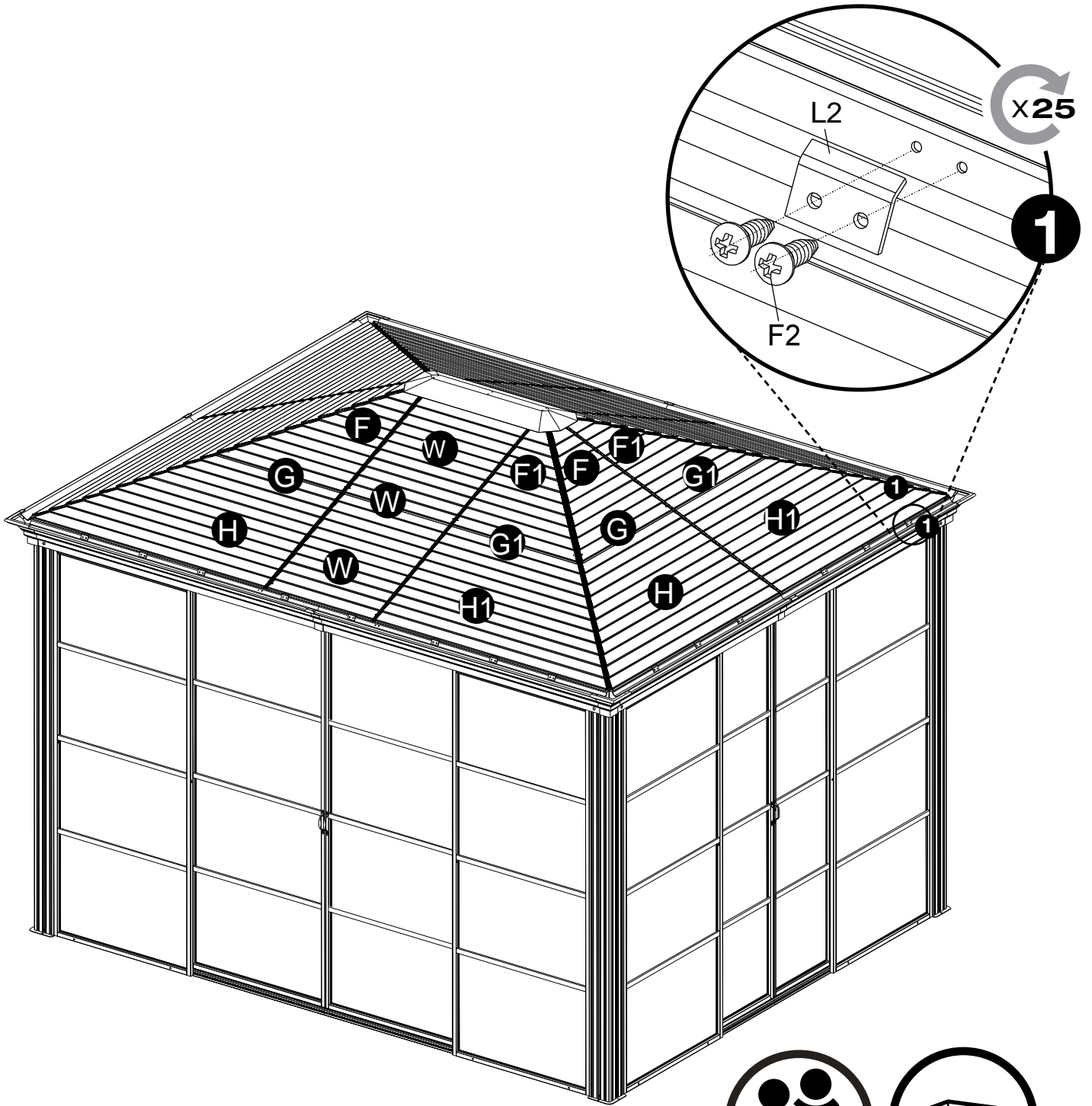




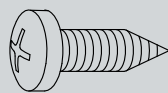
L2 x3



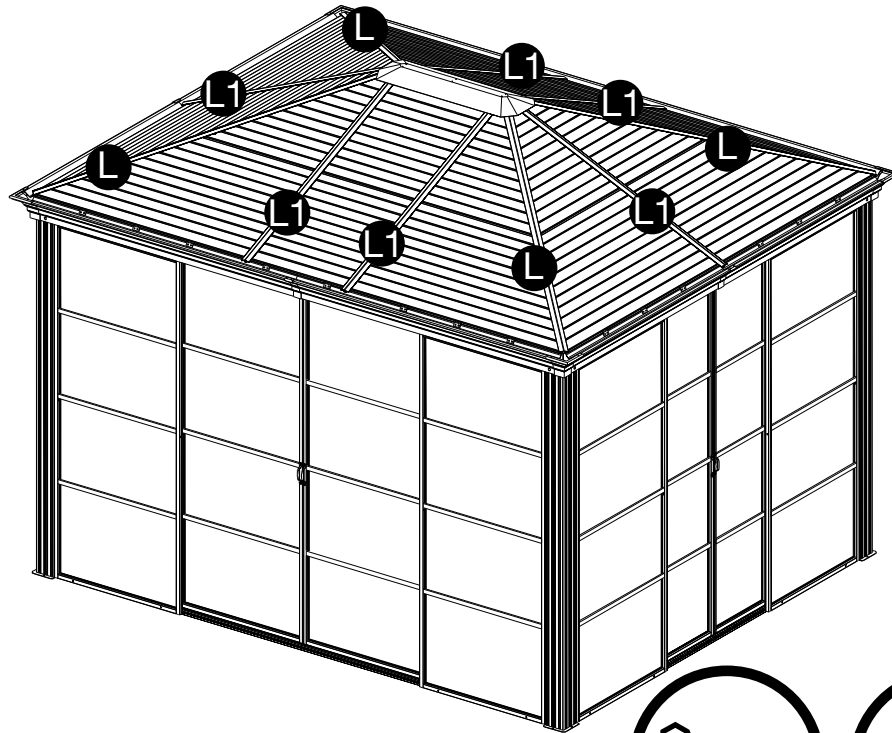
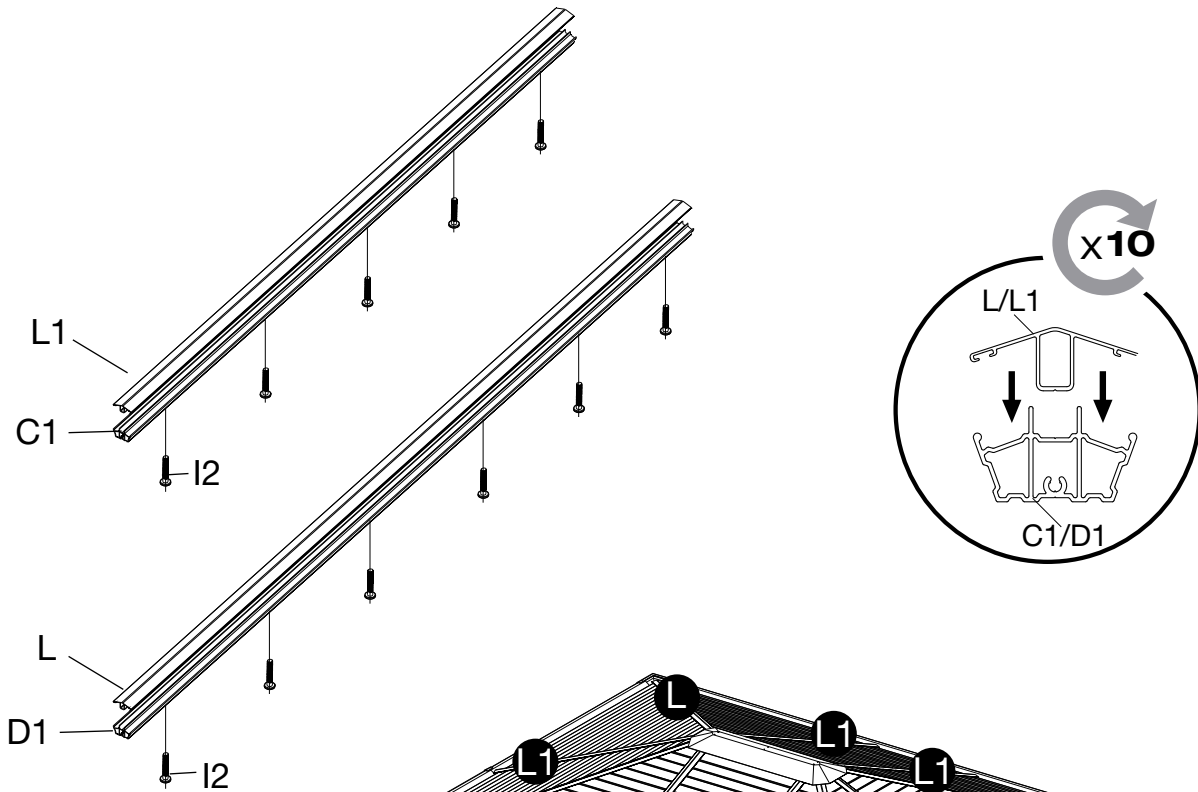
F2 x6



L2x25



F2x50



SOJAG ■ I
produits saisonniers • seasonal products