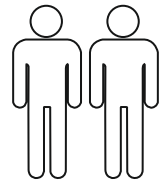
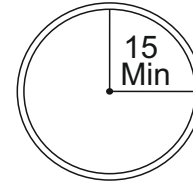
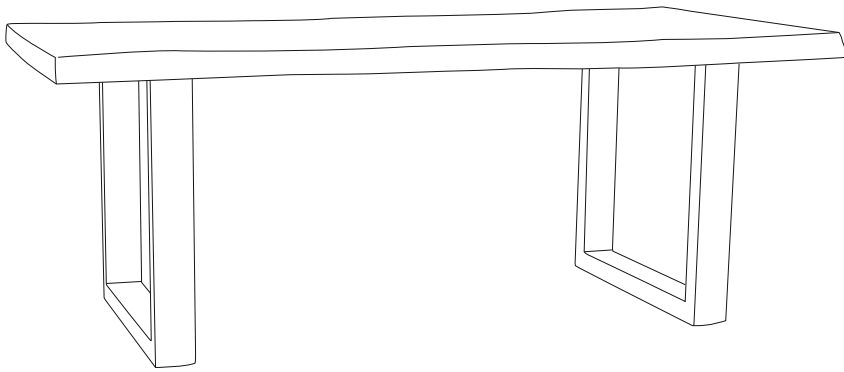


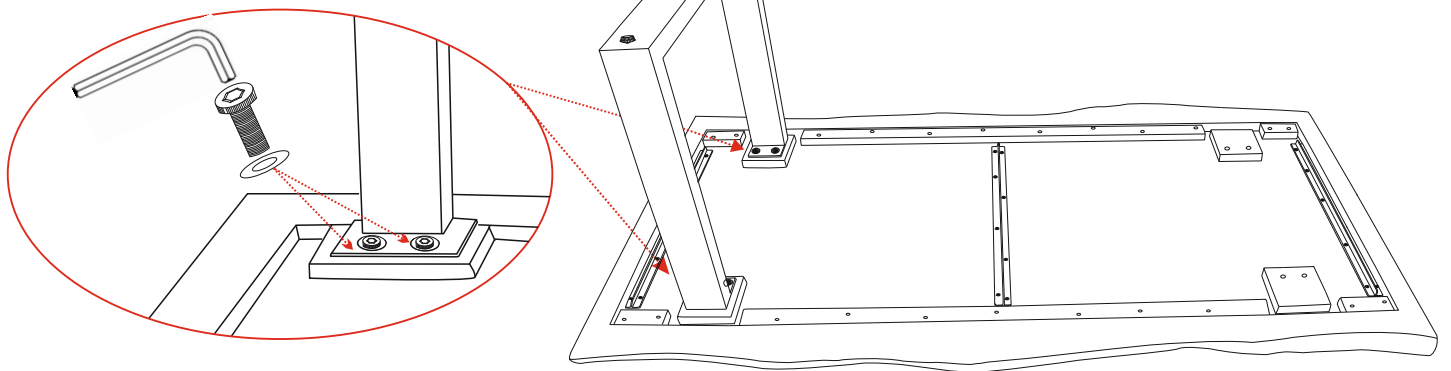
Art. No.66471-200



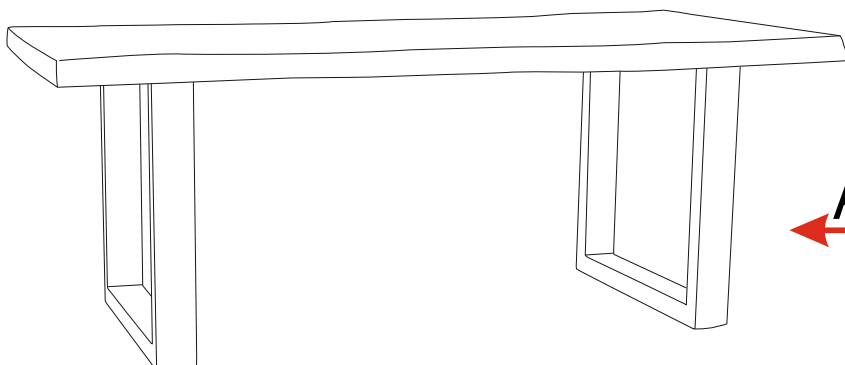
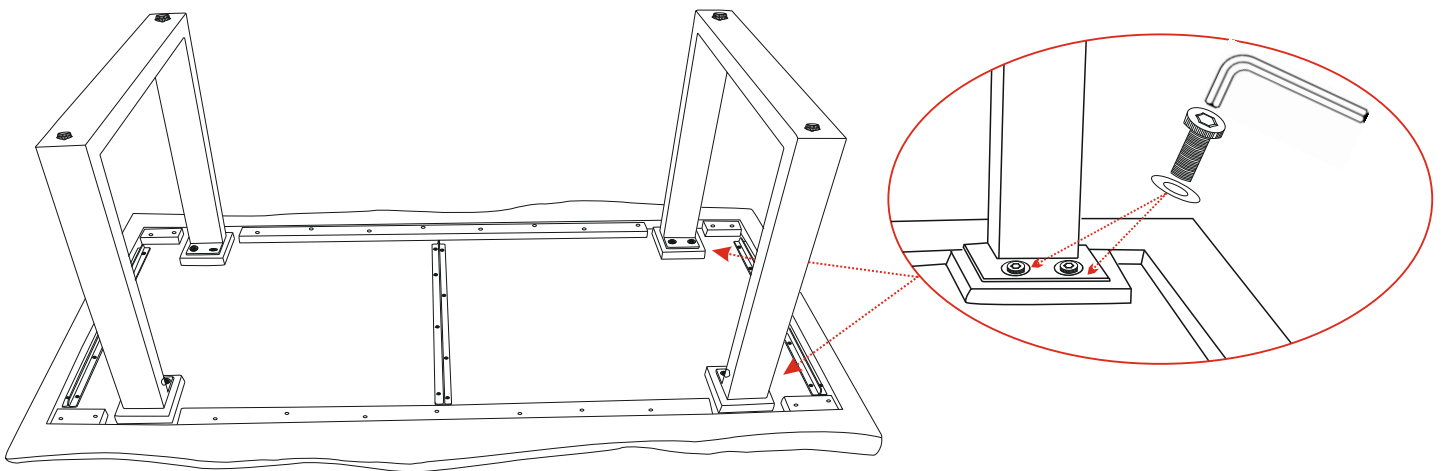
(8x25mm)

(8 Pcs.) (8 Pcs.) (1 Pcs.)

Step-1



Step-2



← Assembled Product