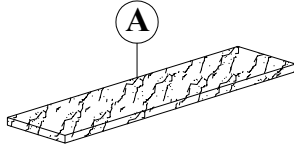


CORAL CONSOLE TABLE ASSEMBLY INSTRUCTIONS

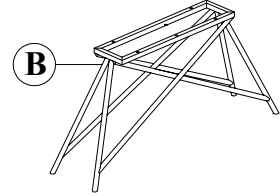


PARTS / PACKAGING CONFIGURATION

BOX #1
A. TABLE TOP 1 PC



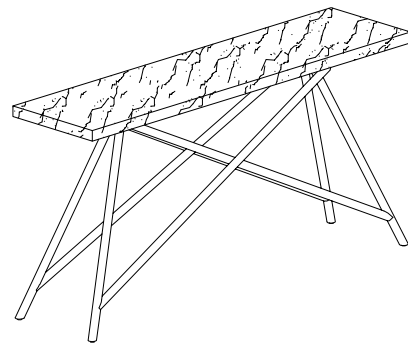
BOX #2
B. TABLE BASE 1 PC



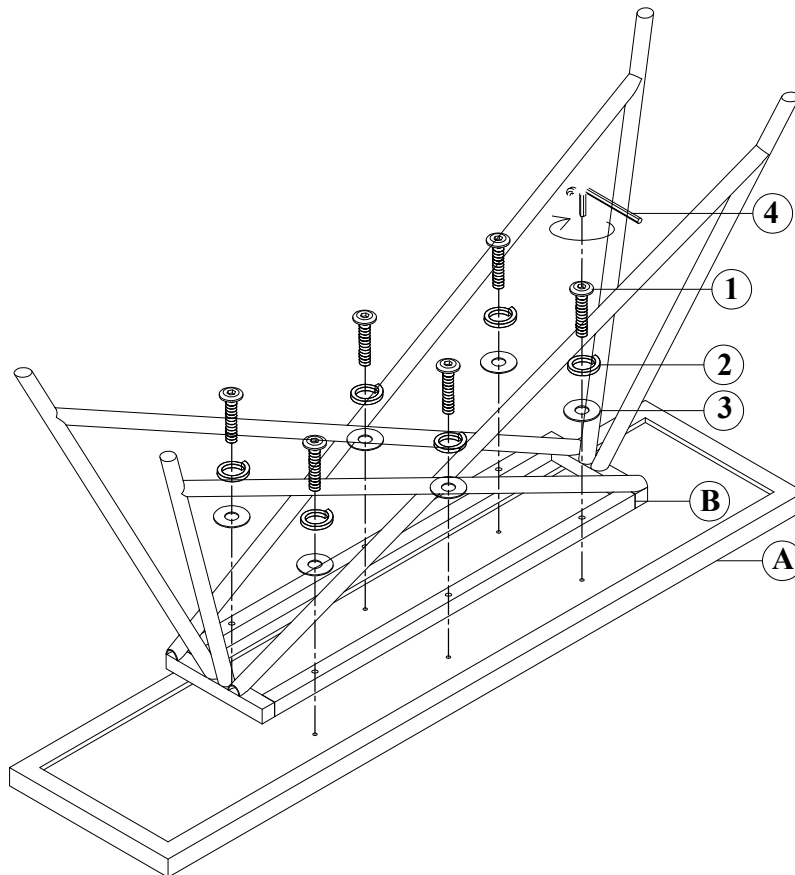
HARDWARE PACKED IN BOX#2

No	Description	Photo	Quantity
1	ALLEN BOLT (M6x45)		6 PCS
2	SPRING WASHER (M6)		6 PCS
3	FLAT WASHER (M6)		6 PCS
4	ALLEN KEY		1 PC

CORAL CONSOLE TABLE FULLY ASSEMBLED



STEP 1: TO PREVENT SCRATCHES, PLACE MARBLE TOP (A) ON A CLEAN, DEBRIS FREE SURFACE, LIKE A TOWEL OR SHEET.



FULLY ASSEMBLED