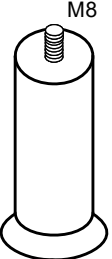
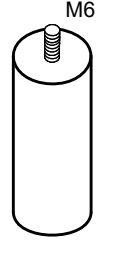
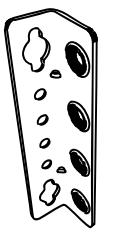

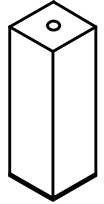
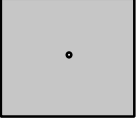
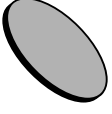
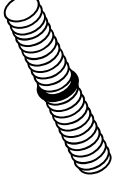
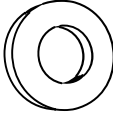
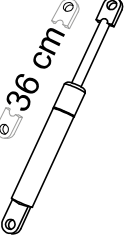
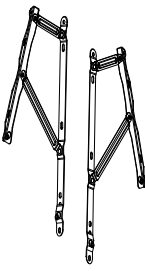
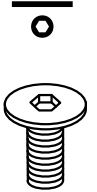
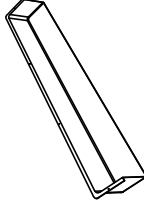

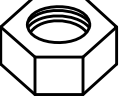
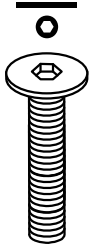
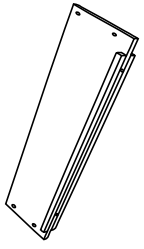
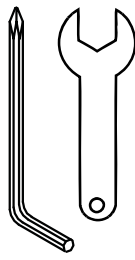
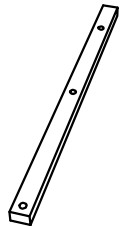









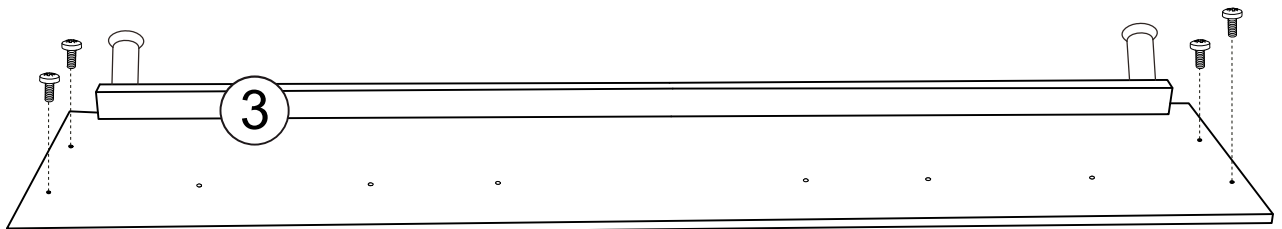
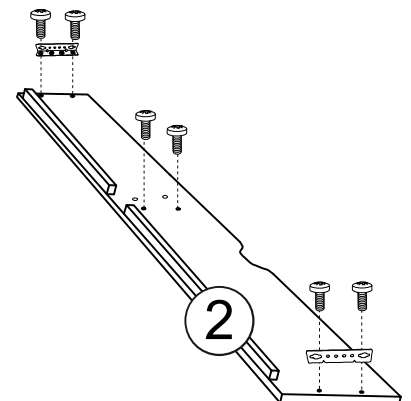
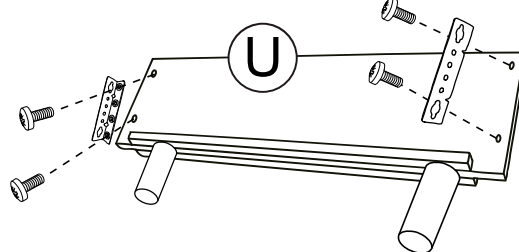
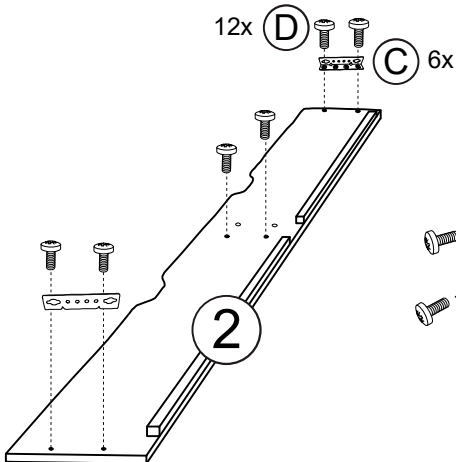
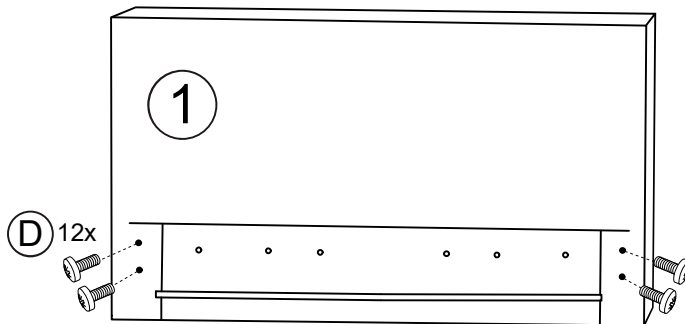
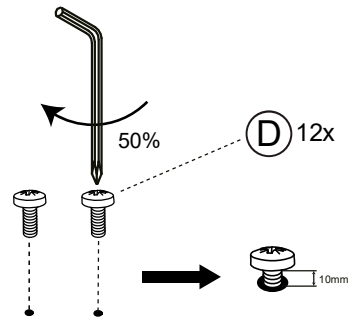
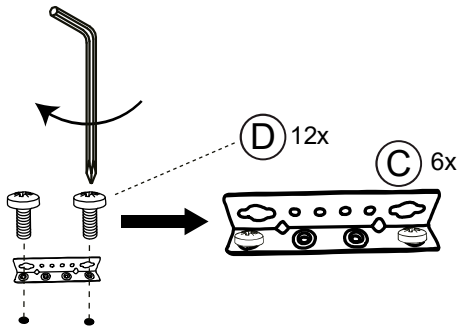
EFFECT by meise (KB-615)

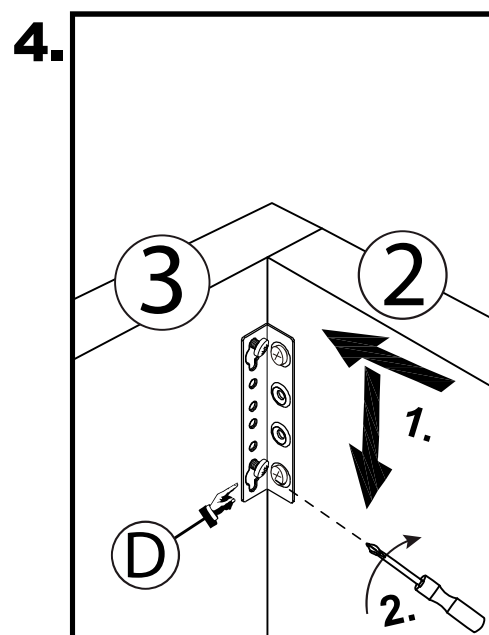
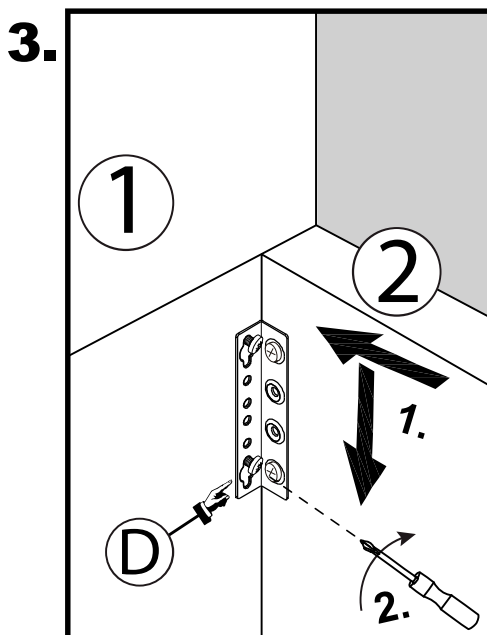
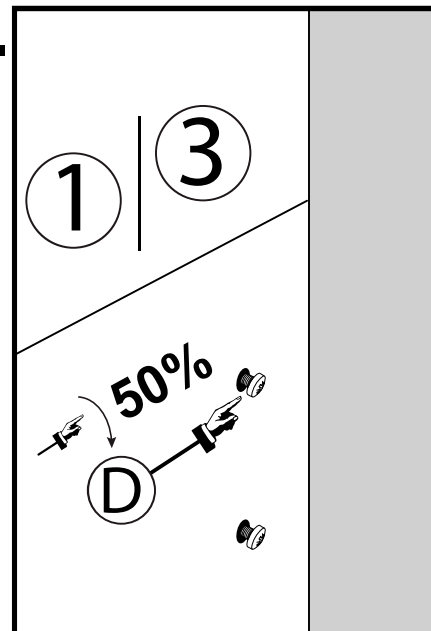
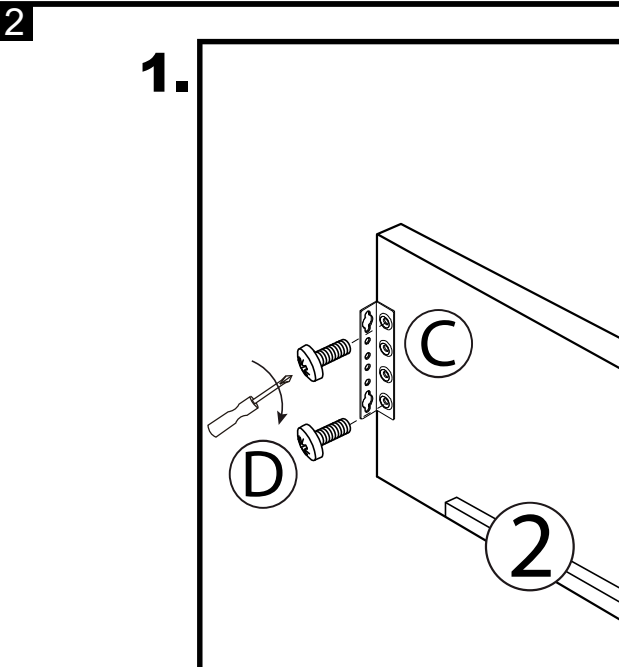
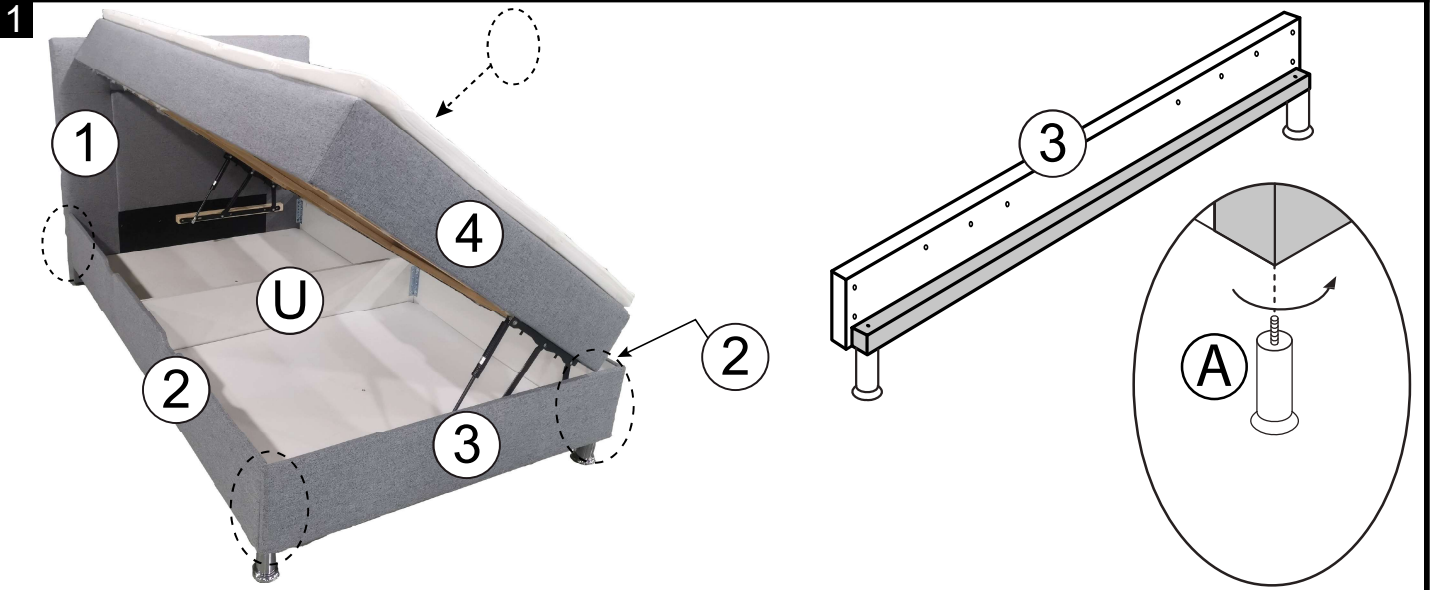
Bettkasten / storage

120 cm
 140 cm

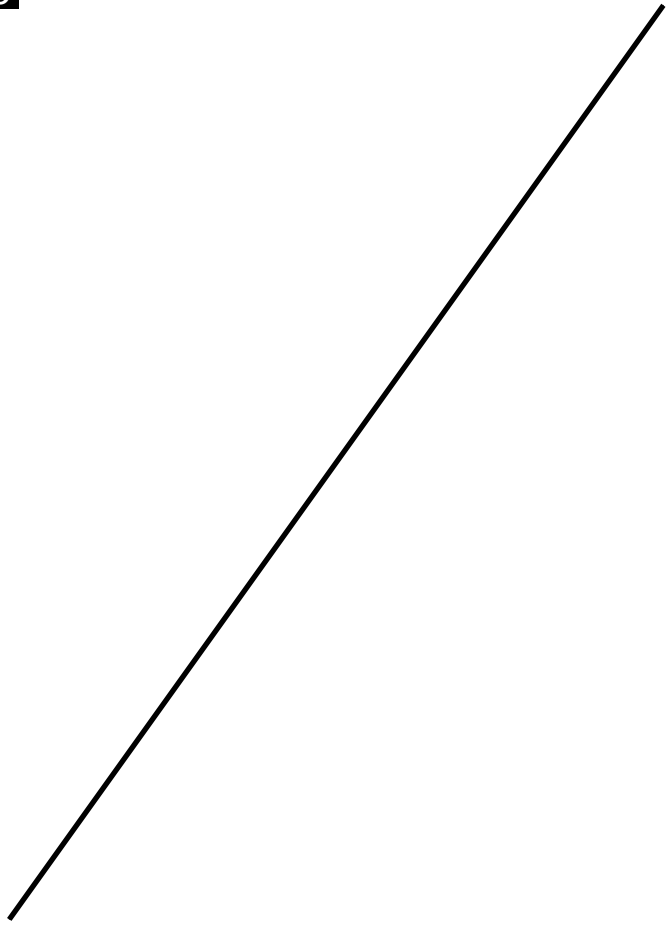
A-12	B-12	C-12	D-12	E-12	F-12	G-12	H-12	I-12
2	2	6	26	-	-	-	2	2
 M8 H 100	 M6 H 95		 M6*20	-	-	-	 H115	 983*1158 983*1358
J-12	K-12	L-12	M-12	N-12	OL/OR-12	P-12	Q-12	R-12
4	4	4	2	-	1 / 1	3	2	16
	 M8*70	 M8	 36 cm 850 N	-		 M8*20	 730*95*60	 4*15
S-12	T-12	U-12	V-12	W-12	X-12	Y-12	Z-12	AA-12
4	3	1	-	1 / 1	-	-	1	-
 M8	 M8*60	 1165 / 1365* 245	-	 5 / 13	-	-	 560*35*35	-
AB-12	AC-12	AD-12	AE-12	AF-12	AG-12	AH-12	AI-12	AJ-12
-	-	-	-	-	-	-	-	-
-	-	-	-	-	-	-	-	-
   60 min     < 120 KG								

Info

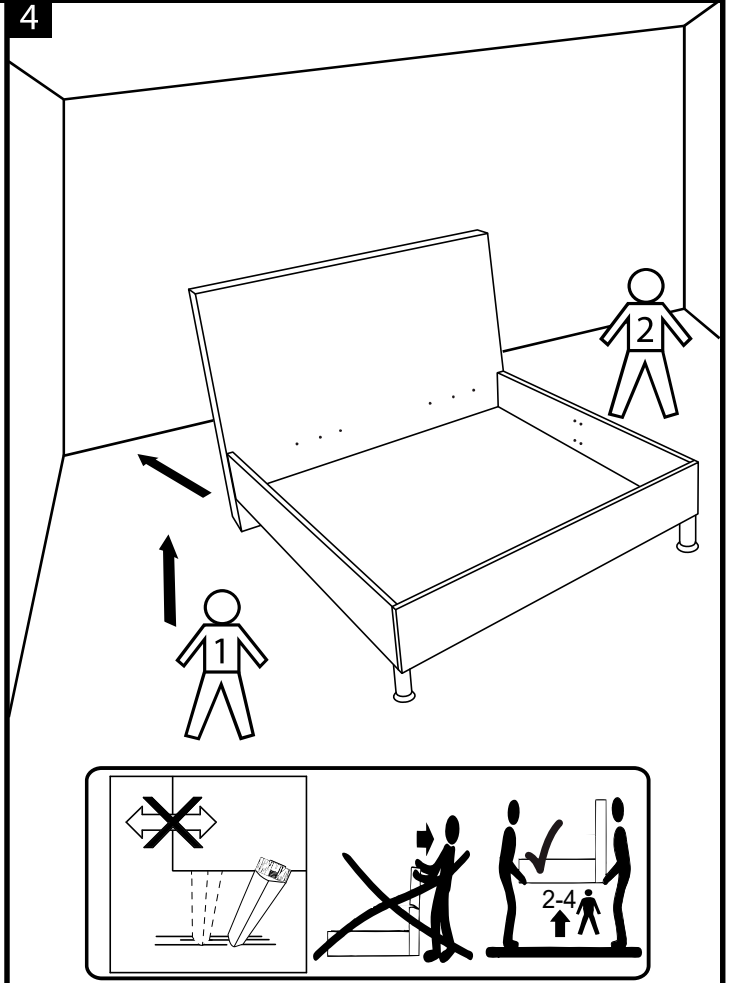




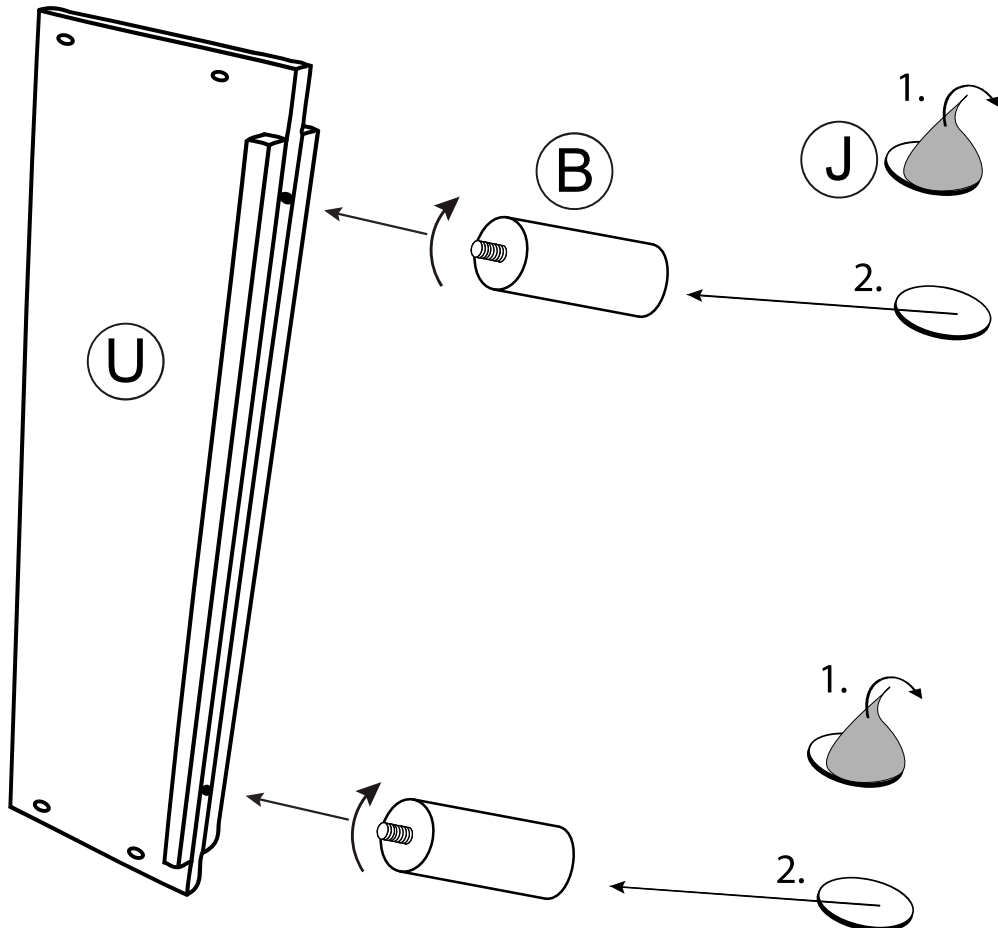
3



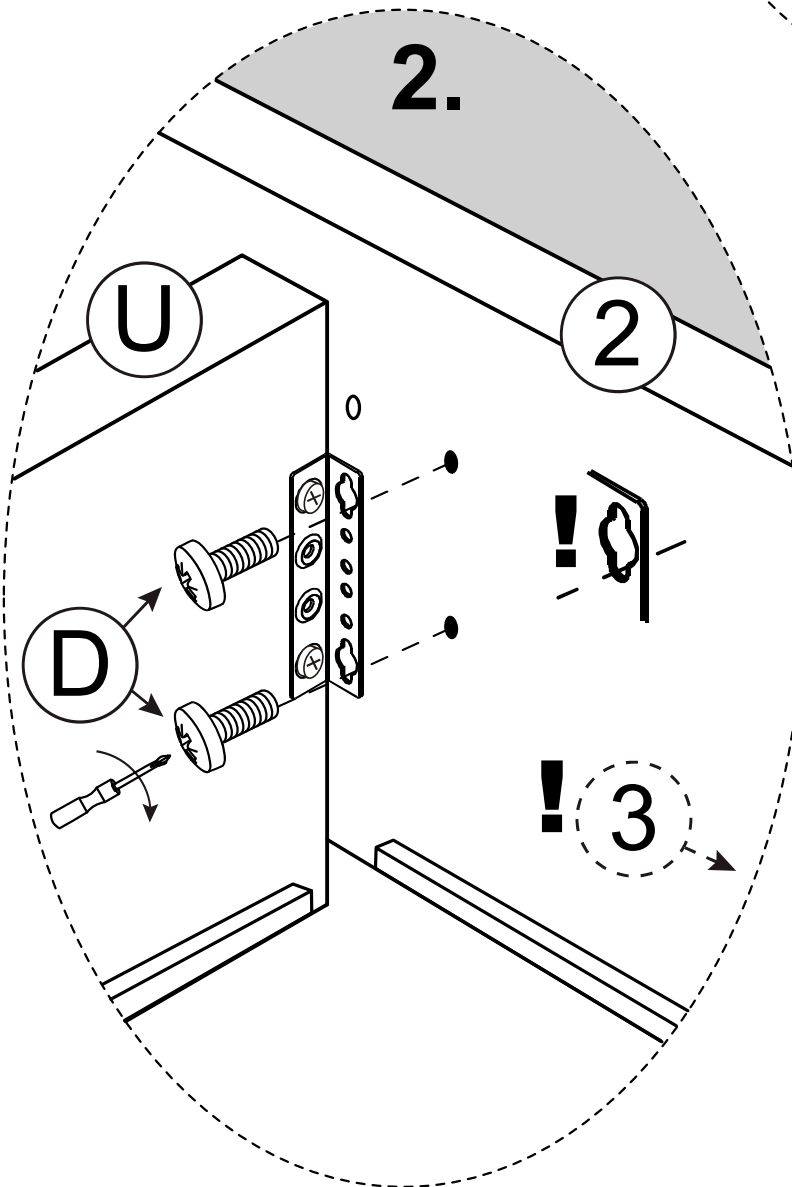
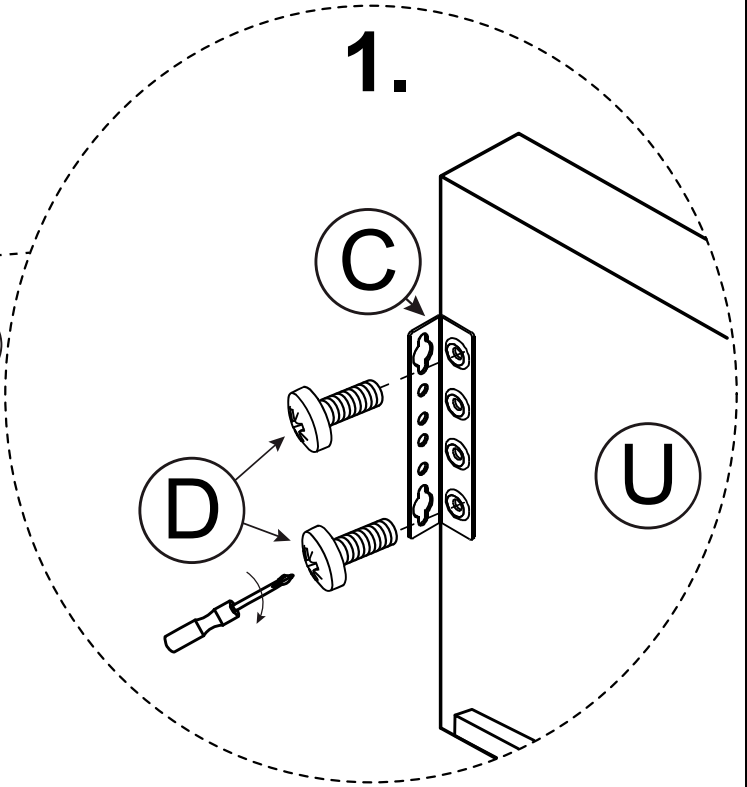
4



5



6



7

1. $1 \times$
 (D) (H) (I)
 (J) 1. 2.

2. (M1) = (M2)
 (2) / (3) = 90°

3.

4. (8x R) (M1) (M2)

5. kg
 (1) = <5KG

8

L (4) (1/3)
 R (4) (1/3)

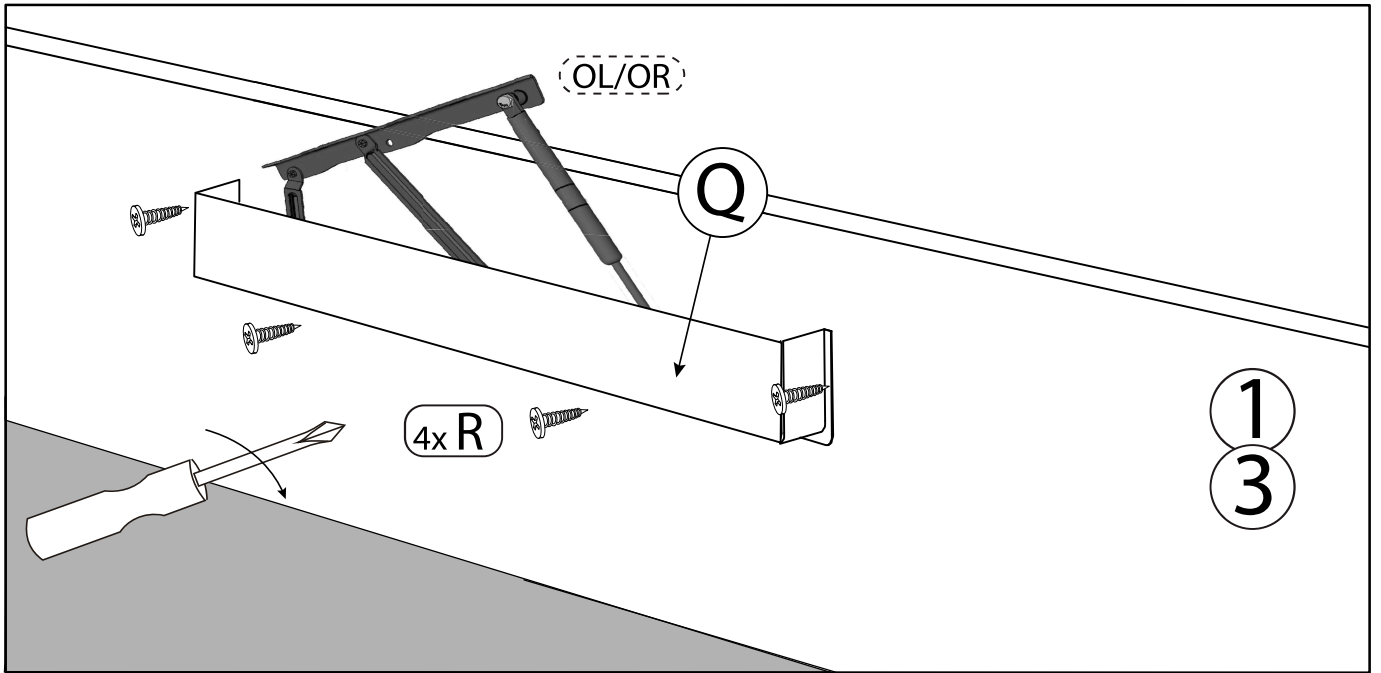
1. (OL/OR) (M) (1) (3)

2. (1) (OR) (Z) (W) (T)

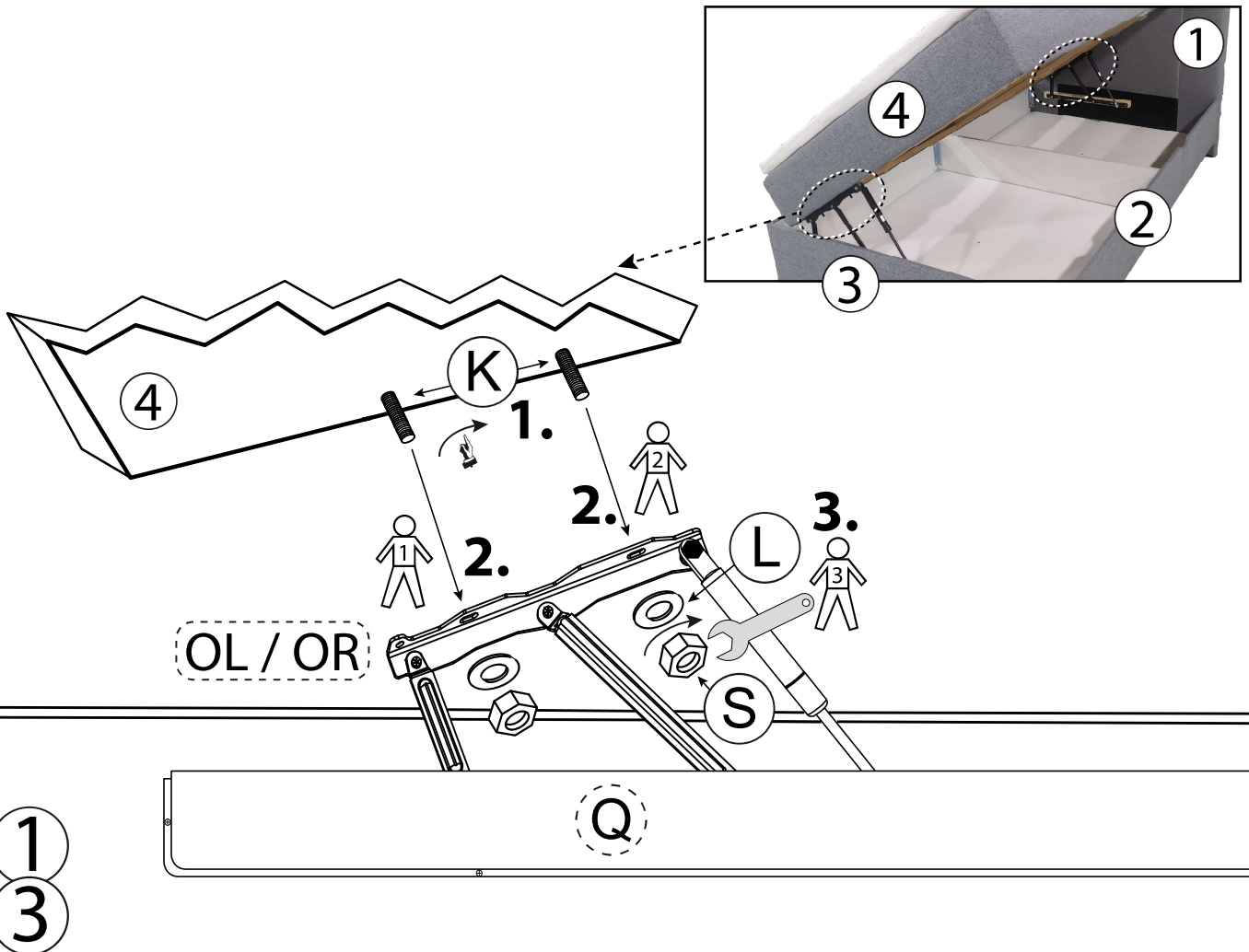
3. (OL) (3) (W) (P)

(OR) + Z
 (U)
 (OL)

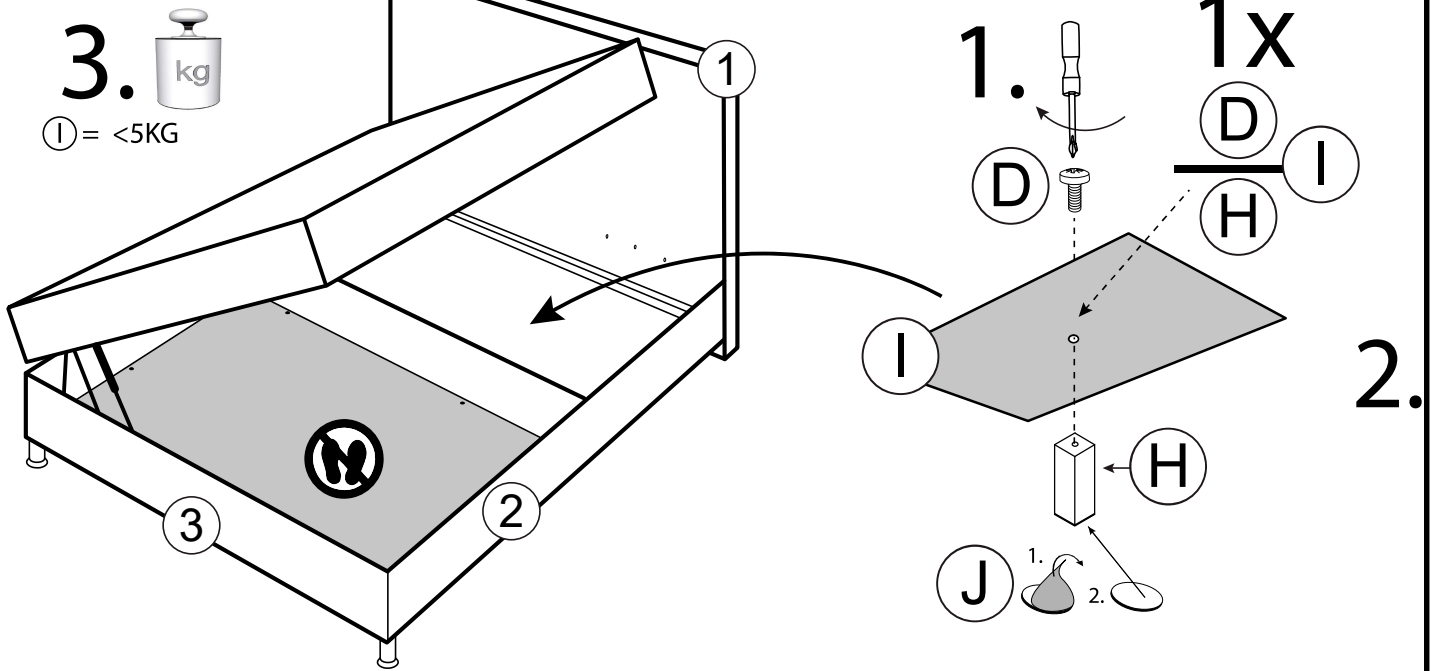
9



10



11



12

