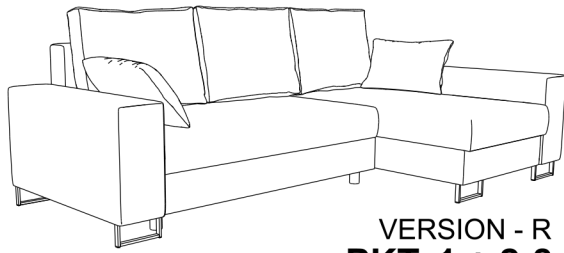
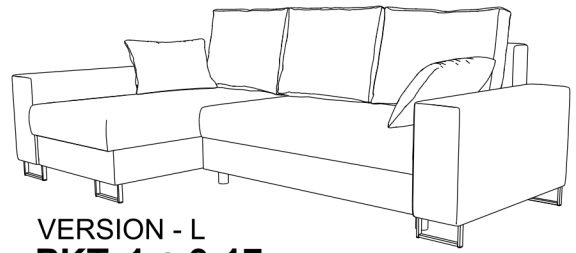


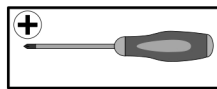
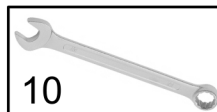
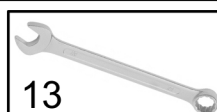
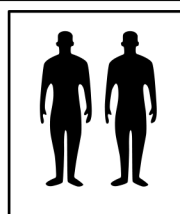
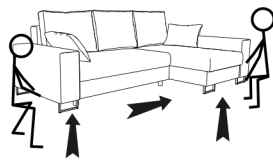
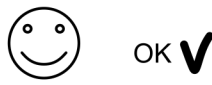
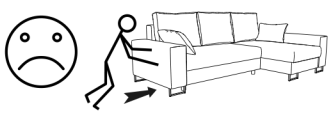
ECKSOFA



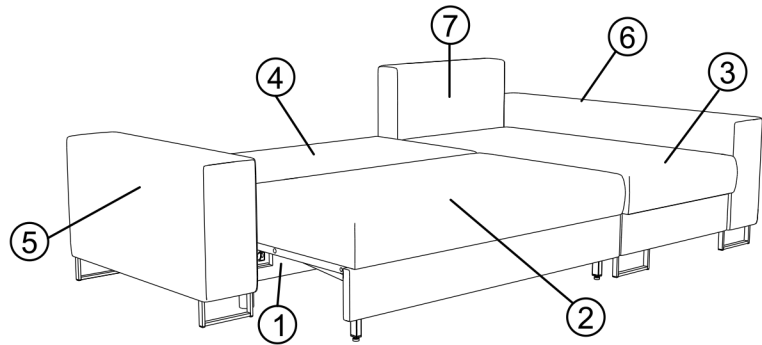
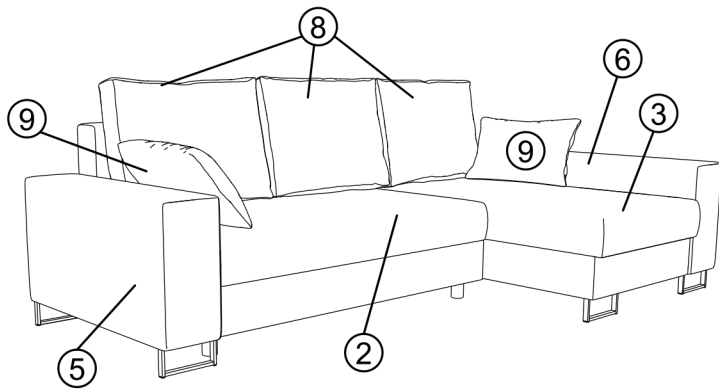
VERSION - R
PKT. 1 + 2-8

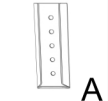
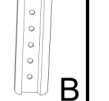


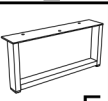
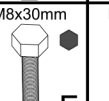




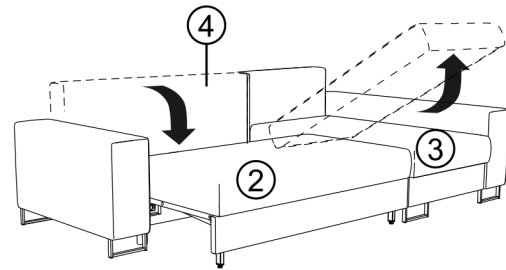
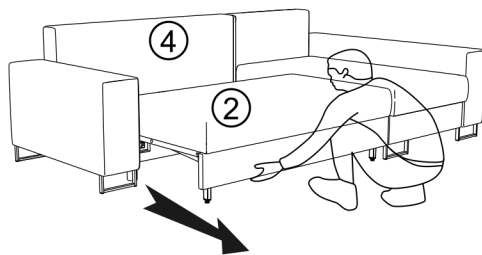
VERSION - L
PKT. 1 + 9-17



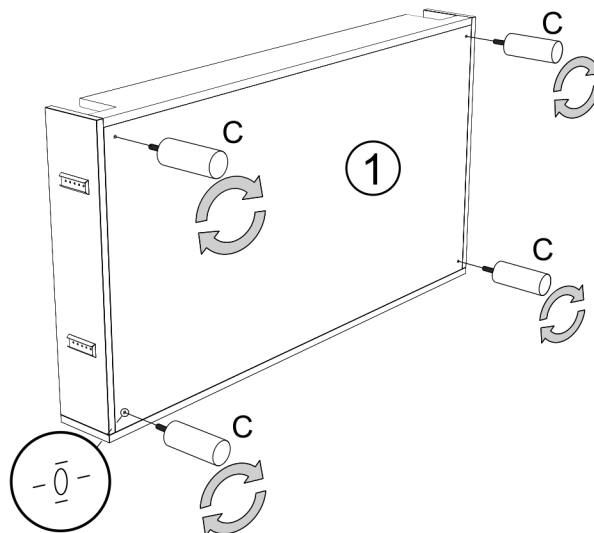
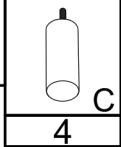
#	MENGE
1	1
2	1
3	1
4	1
5	1
6	1
7	1
8	3
9	2



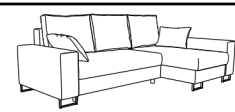
 A	 B	 C	 D
2	2	6	8
 E	 F	 G	 H
5	10	1	1


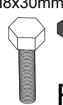
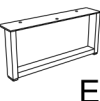


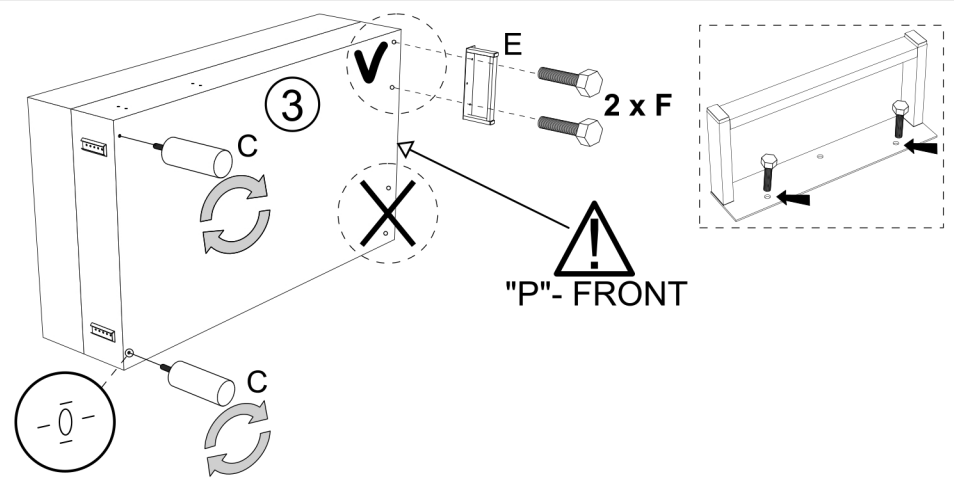
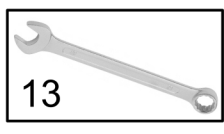
1


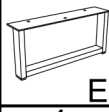


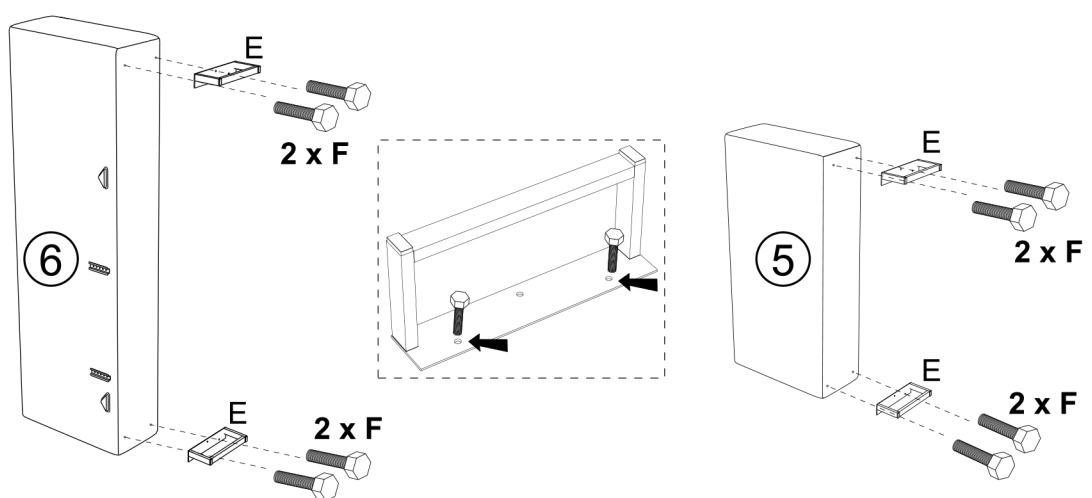
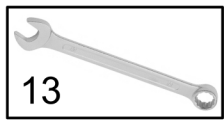
VERSION - R



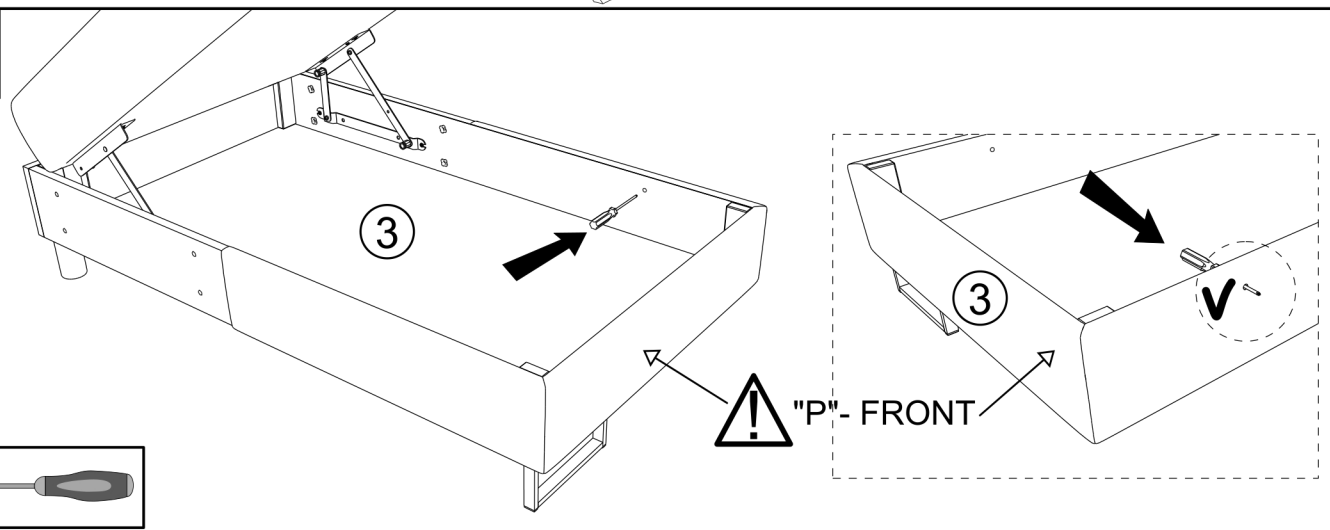
- 2**
- | | | |
|---|---|---|
|  |  |  |
| 2 | 2 | 1 |



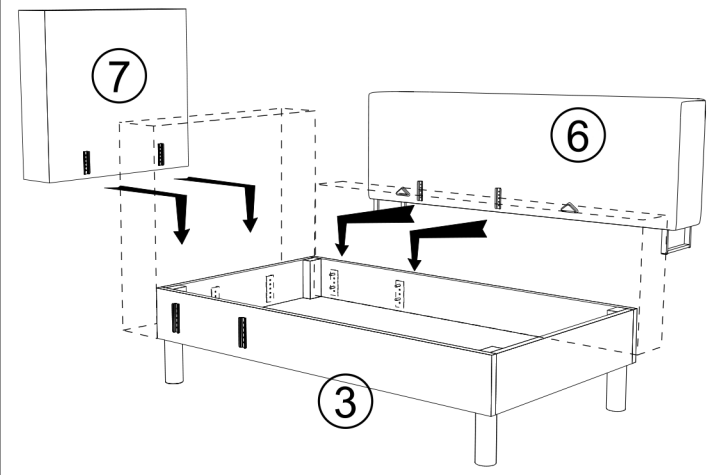
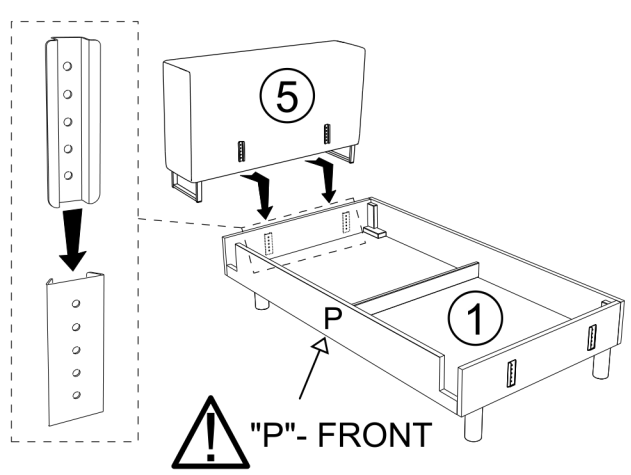
- 3**
- | | |
|---|---|
|  |  |
| 8 | 4 |



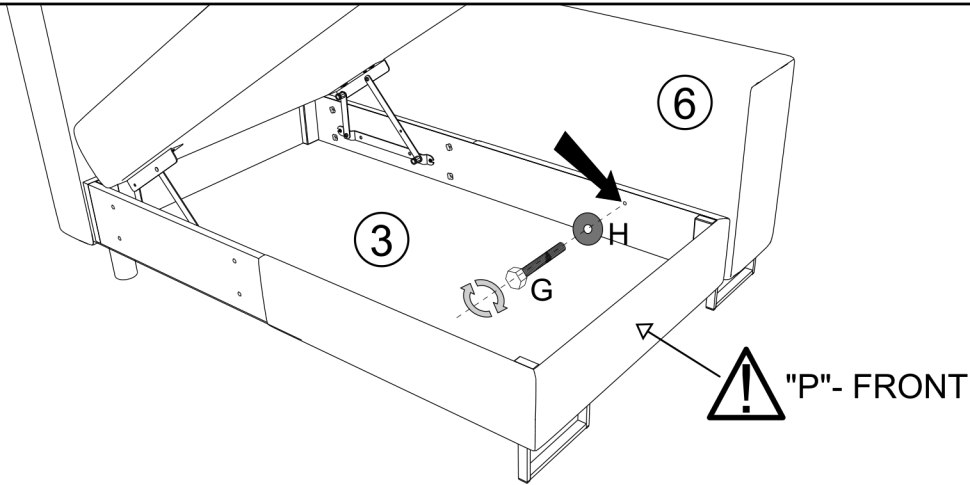
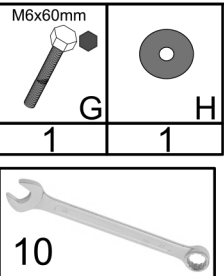
4



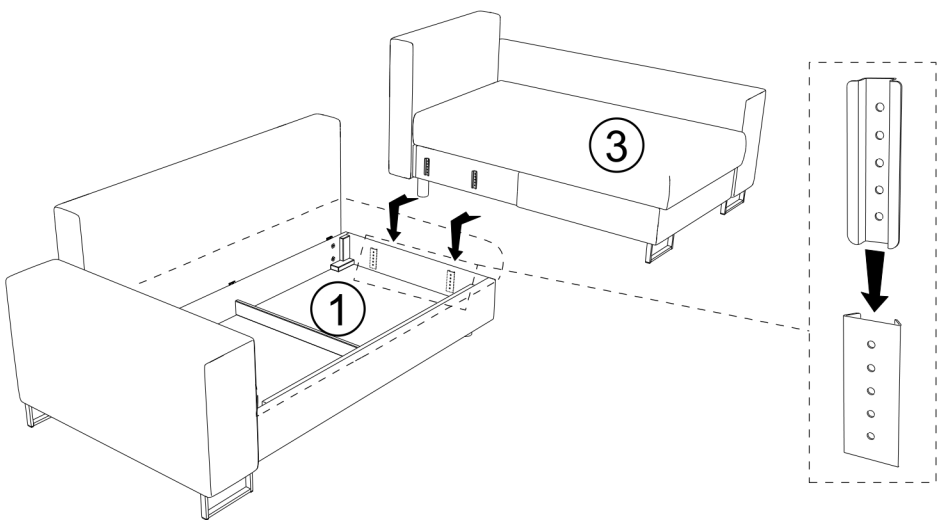
5



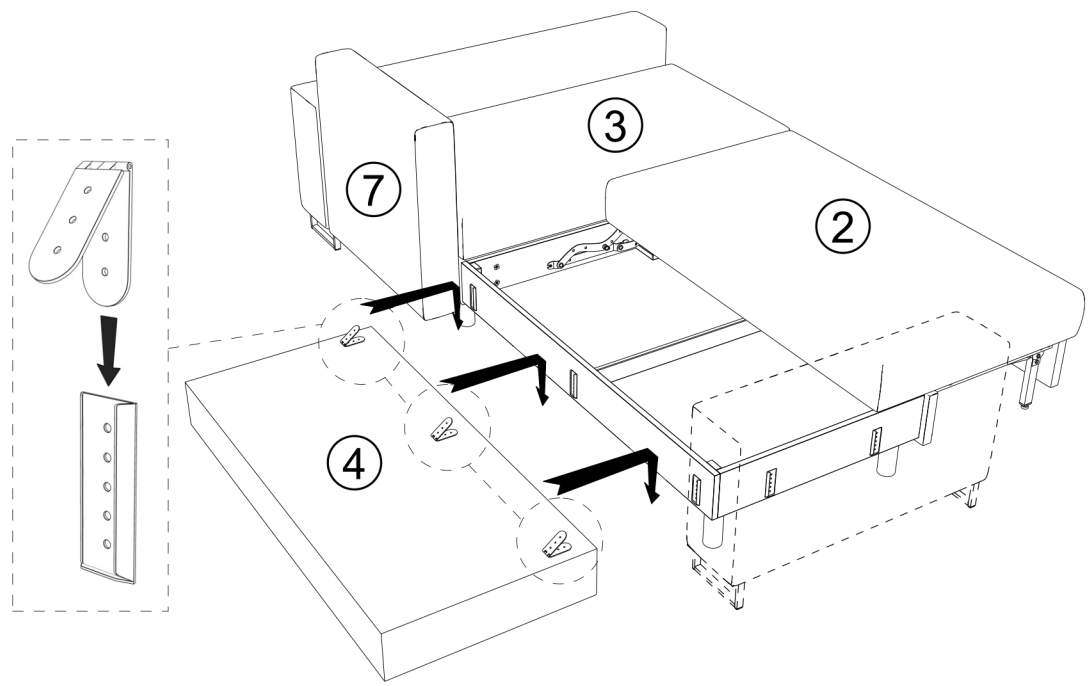
6



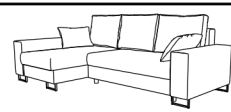
7



8



VERSION - L



9

M6x25mm			
8	2	2	

VERSION-L

CHANGE SIDE

A **B**

D

3

P

"P"- FRONT

10

	M8x30mm	
2	2	1

13

3

C

E

2 x F

"P"- FRONT

0

11

M8x30mm	
8	4

13

6

E

2 x F

5

E

2 x F

12

6

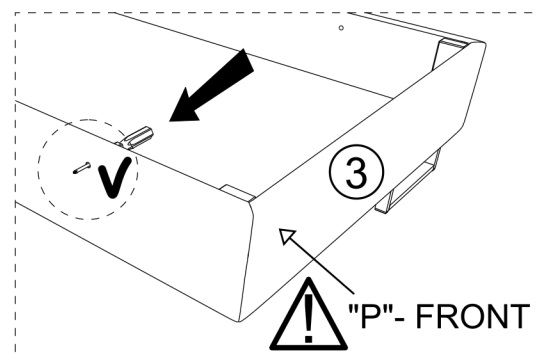
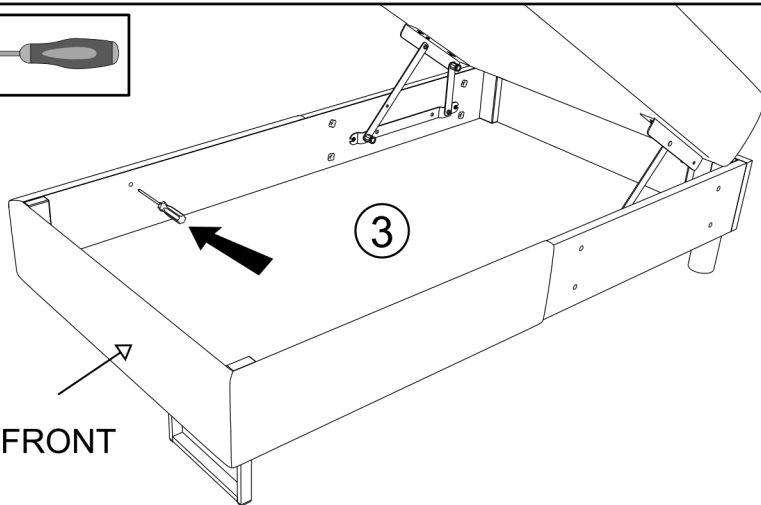
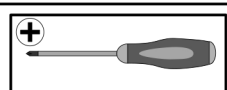
CHANGE SIDE

"P"- FRONT

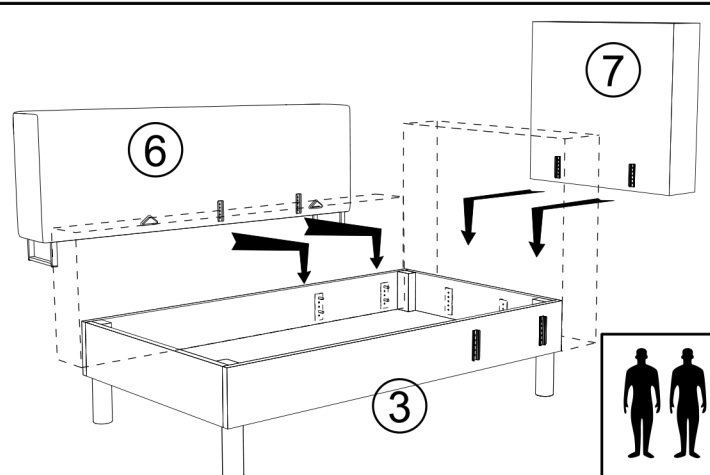
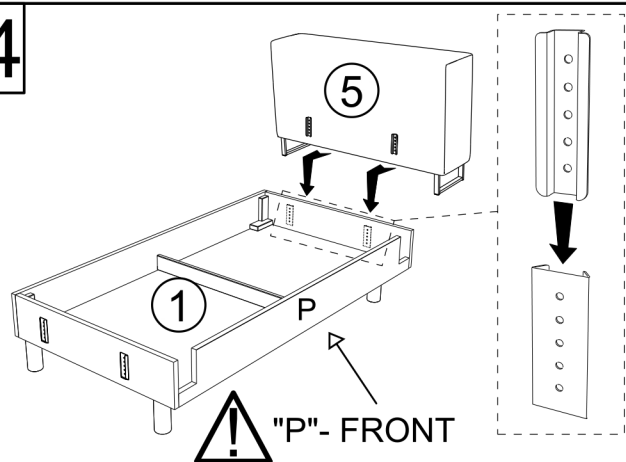
D

VERSION-L

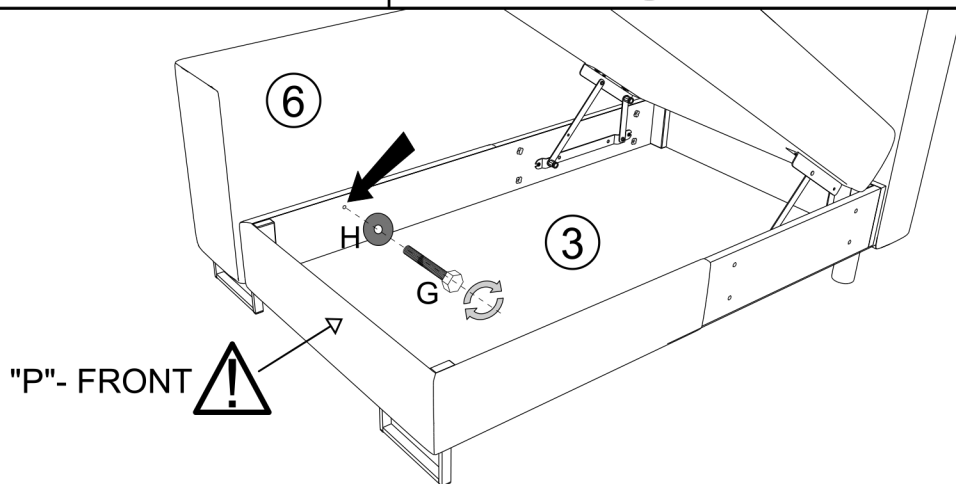
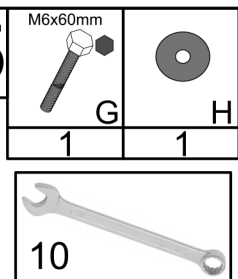
13



14



15



16

