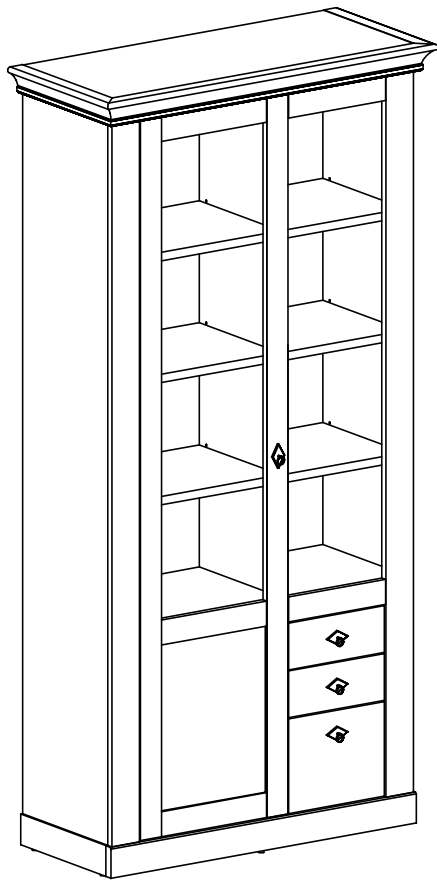
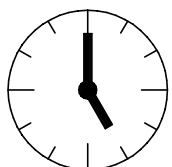
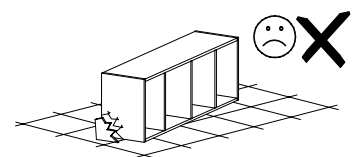
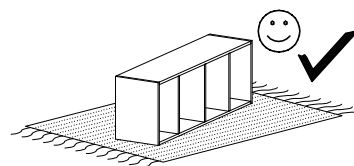
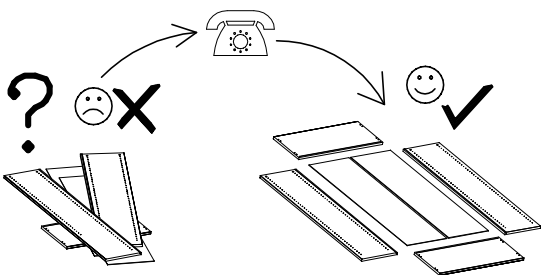
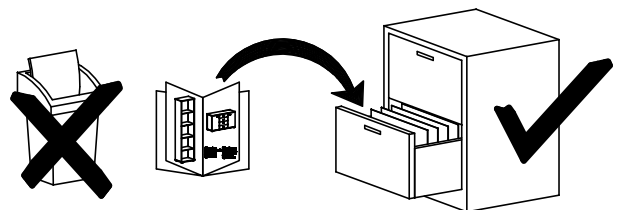
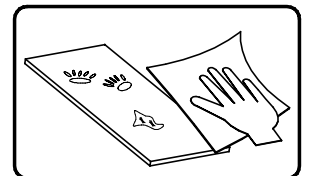
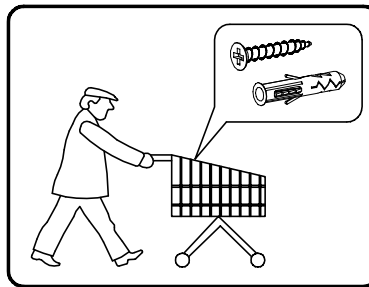
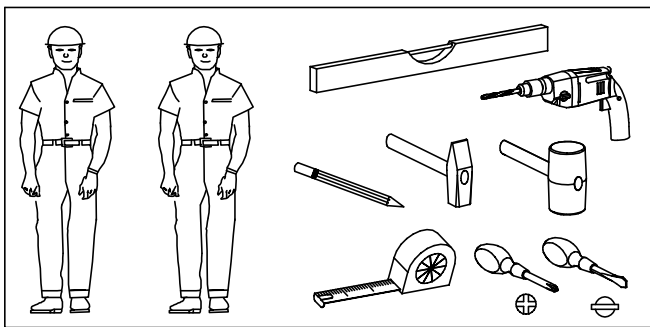


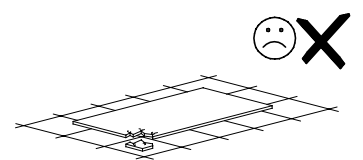
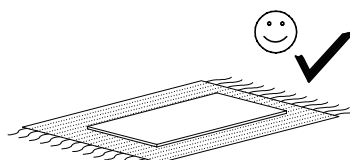
# Modell: LANDHAUS 24

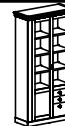


- Ⓓ **Montageanleitung**
- Ⓐ **Handleiding voor de montage**
- Ⓓ **Montaj talimatı**
- Ⓕ **Notice de montage**
- Ⓒ **Montážní návod**
- Ⓗ **Szerelési útmutató**
- Ⓒ **Assembly instructions**
- Ⓐ **Instrukcja montażu**
- Ⓔ **Инструкция по монтажу**
- Ⓘ **Istruzioni di montaggio**
- Ⓐ **Návod na montáž**
- Ⓑ **Instrucțiuni de montaj**
- Ⓔ **Instrucciones de montaje**
- Ⓓ **Montaj Talimatı**



3,5h

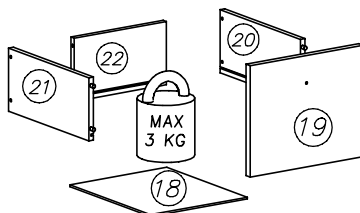
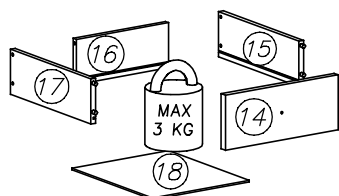
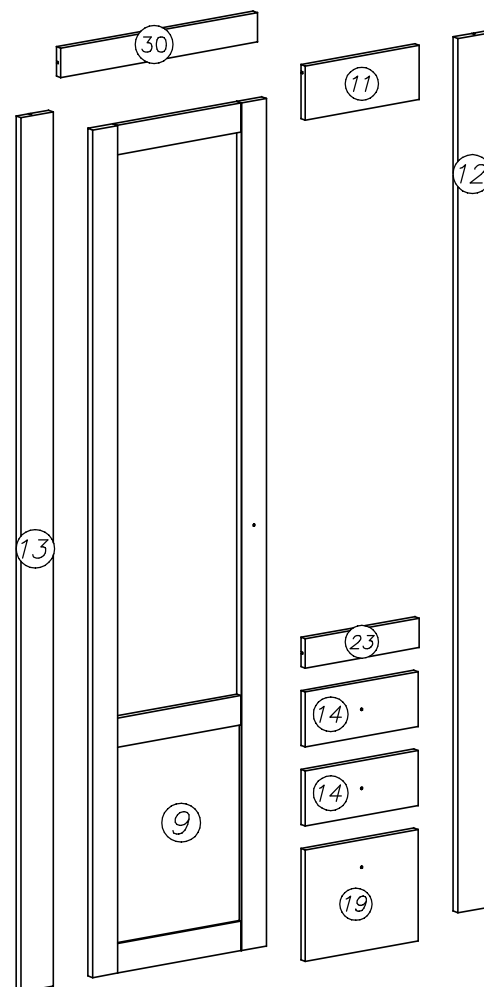
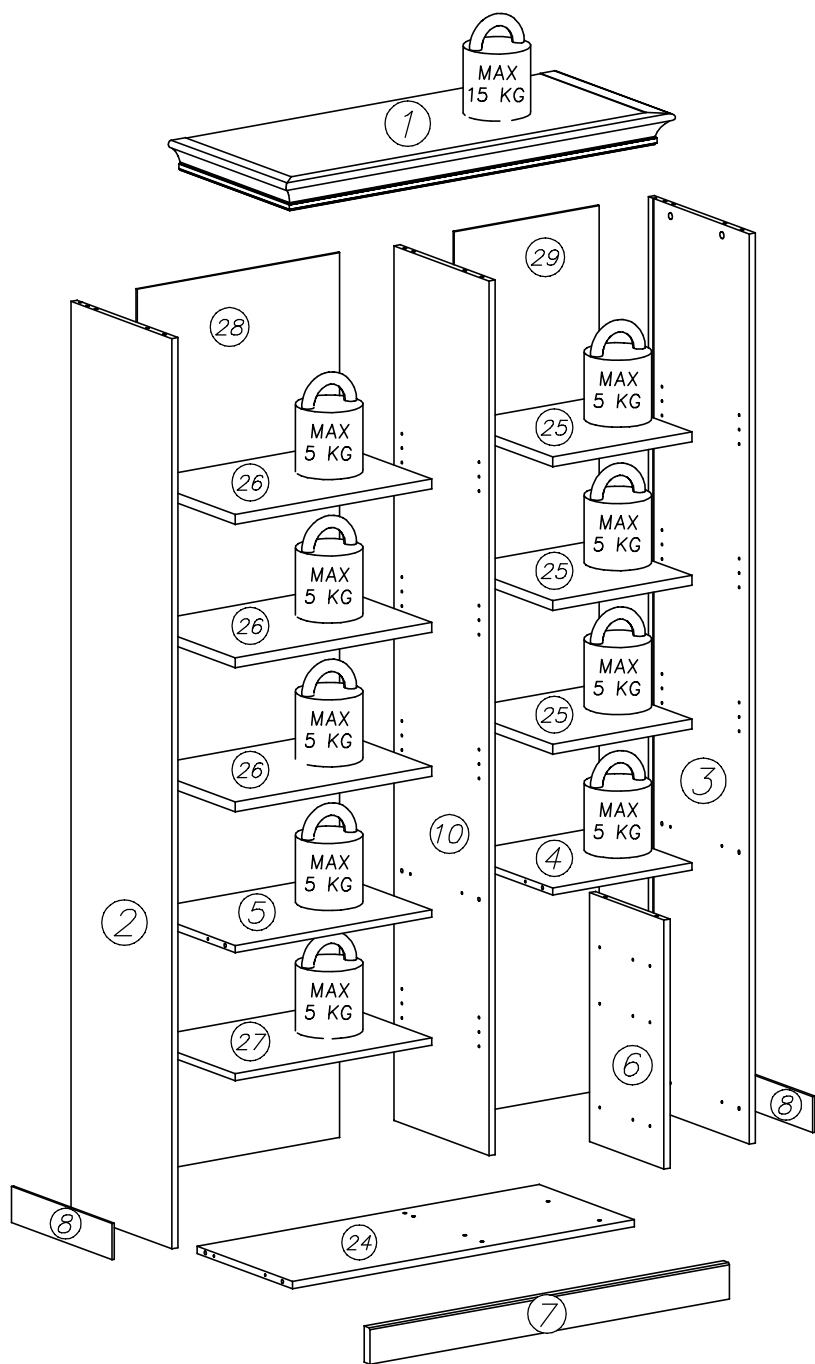


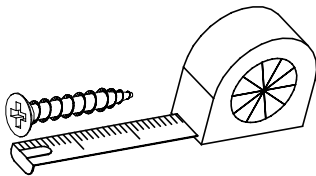
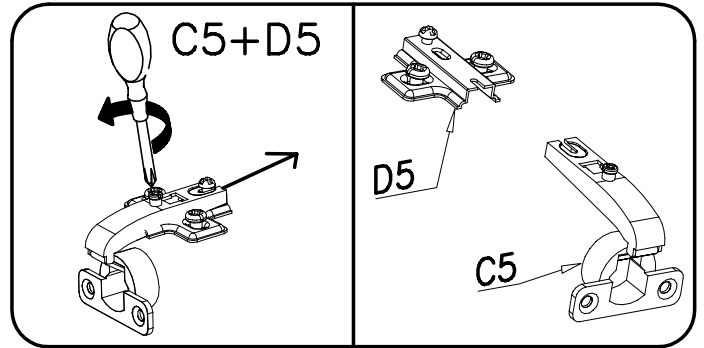
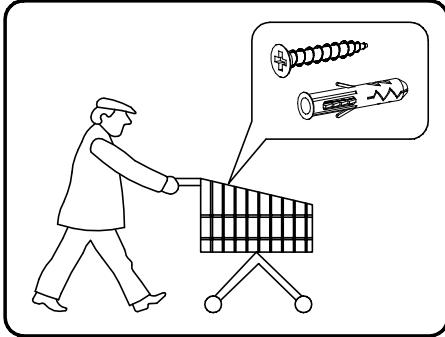
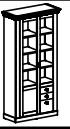


nr	L[mm]	B[mm]	T[mm]	Menge	Colli
1	1017	439	70	1	3/3
2	2018	376	16	1	2/3
3	2018	376	16	1	2/3
4	364	356	16	1	1/3
5	514	356	16	1	1/3

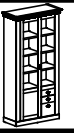
nr	L[mm]	B[mm]	T[mm]	Menge	Colli
6	553	278	16	1	1/3
7	940	80	22	1	3/3
8	376	80	6	2	1/3
9	1878	454	18	1	2/3
10	1939	356	16	1	1/3

nr	L[mm]	B[mm]	T[mm]	Menge	Colli
11	298	120	16	1	2/3
12	1938	85	18	1	2/3
13	1938	85	18	1	2/3
14	295	122	16	2	1/3
15	300	100	12	2	1/3
16	241	100	12	2	1/3
17	300	100	12	2	1/3
18	251	301	3	3	3/3
19	295	247	16	1	1/3
20	300	140	12	1	1/3
21	300	140	12	1	1/3
22	241	140	12	1	1/3
23	298	65	16	1	1/3
24	894	356	16	1	1/3
25	364	351	22	3	3/3
26	514	336	22	3	3/3
27	514	351	16	1	1/3
28	1961	530	3	1	2/3
29	1961	378	3	1	2/3
29	514	65	16	1	1/3

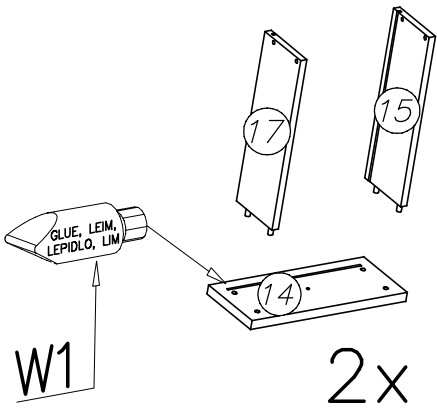




			<b>P27</b>  x1
<b>S2</b>  x20	<b>F4</b>  x1	<b>A1</b>  ø7x50 x4	<b>M1</b>  x1
<b>C5+D5</b>  x4	<b>W1</b>  x2	<b>N15</b>  M4x25 x4	<b>E93</b>  x4
	<b>W2</b>  x1	<b>G20</b>  5x13 x30	<b>F2</b>  x28
<b>A6</b>  ø7x40 x12	<b>H23</b>  x3	<b>I7</b>  ø18 x18	<b>M11</b>  x1
<b>K1</b>  ø15x12 x18	<b>H35-300mm</b>  x3	<b>I1</b>  x16	<b>P4</b>  x5
<b>K15</b>  x18	<b>B1</b>  ø8x35 x22	<b>G34</b>  3,5x16 x138	<b>F12</b>  x21

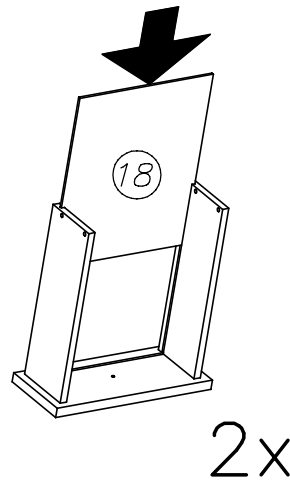


I



W1

2x



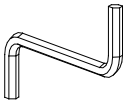
2x

W1



x1

W2



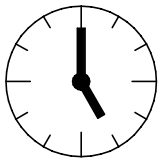
x1

A6

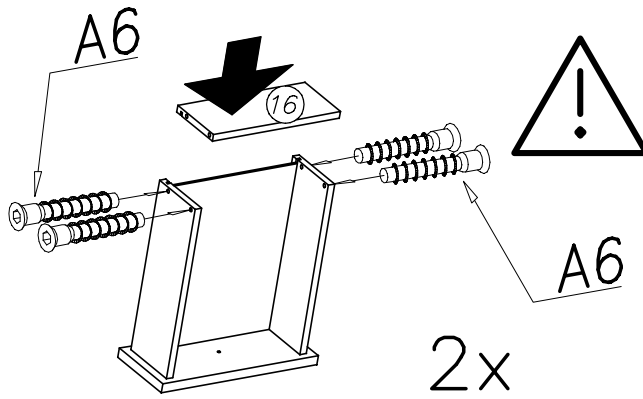


ø7x40

x8

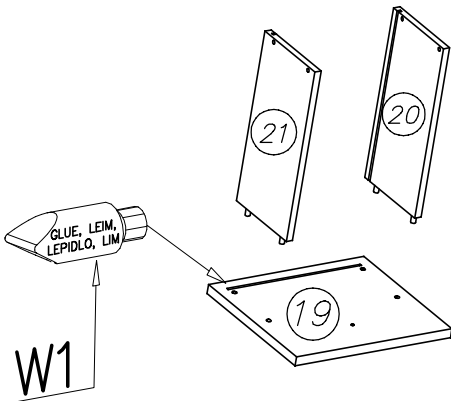


0,5h

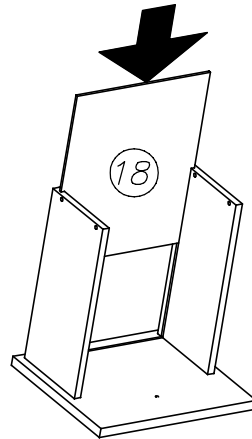


2x

II



W1

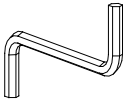


W1



x1

W2



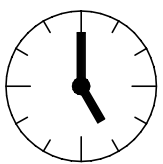
x1

A6

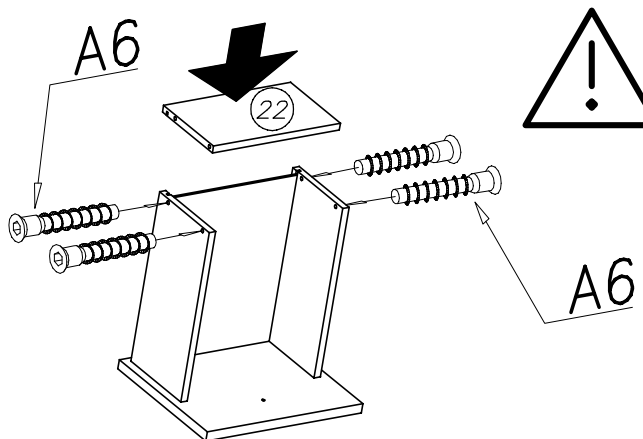


ø7x40

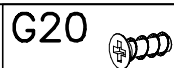
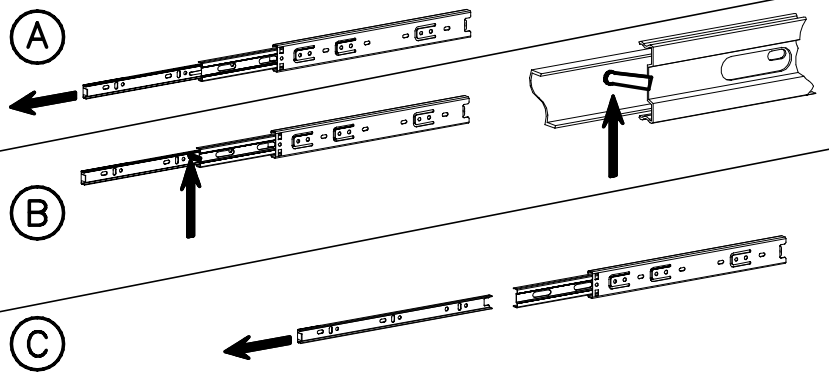
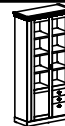
x4



0,5h



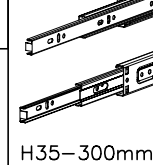
A6



5x13

x12

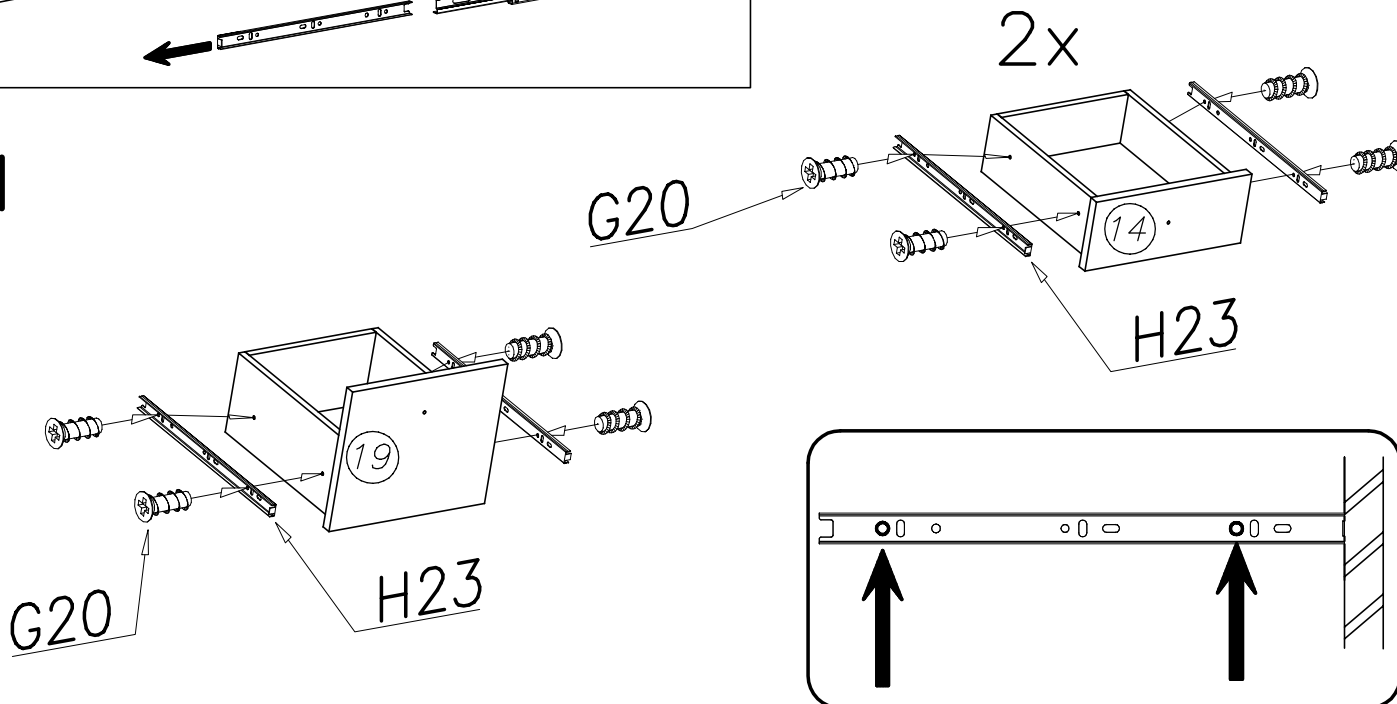
H23



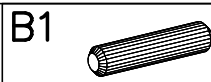
H35-300mm

x3

III



IV



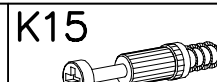
ø8x35

x8

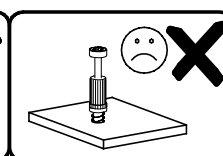
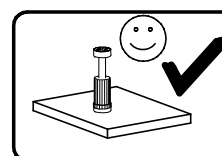
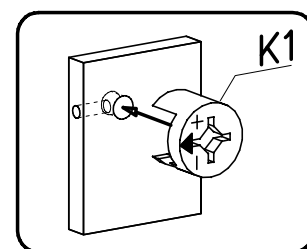
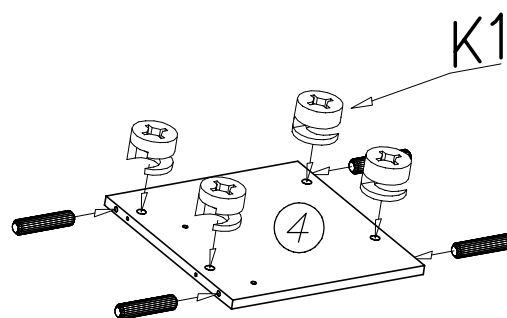
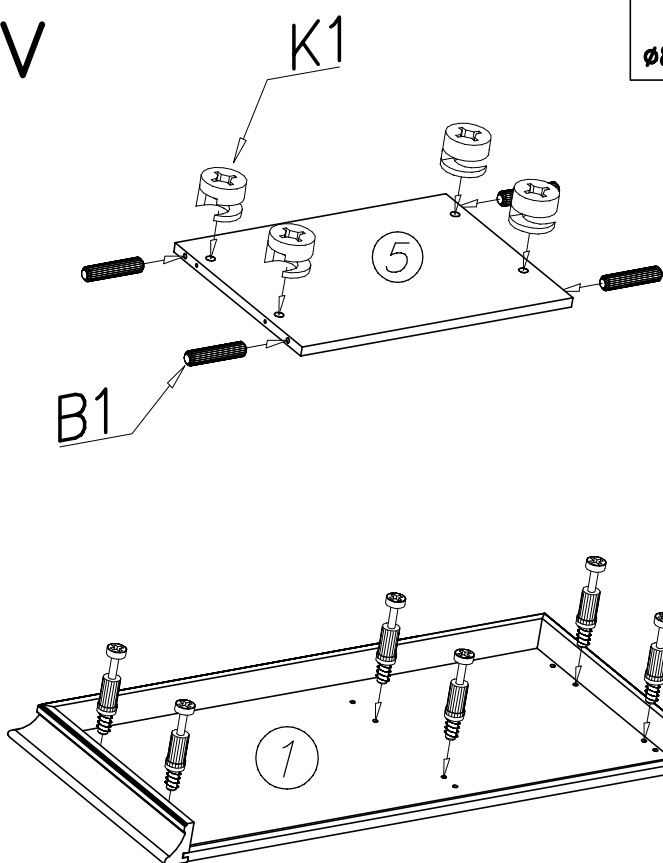


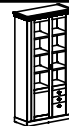
ø15x12

x8




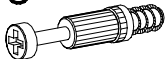
x6








V

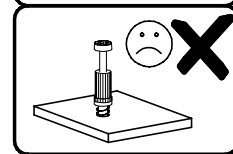
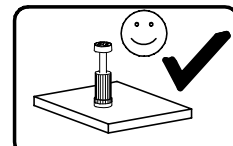
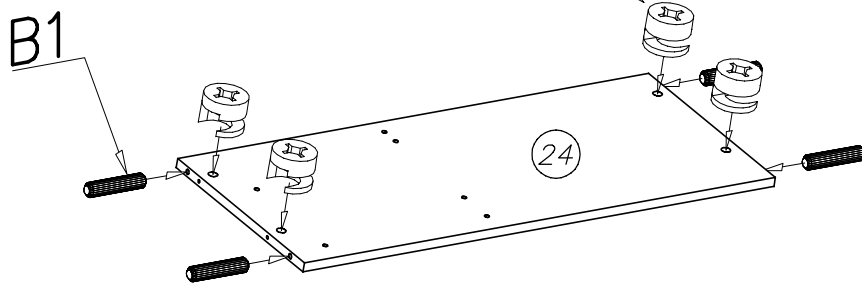
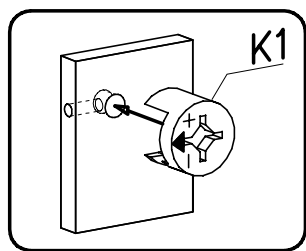
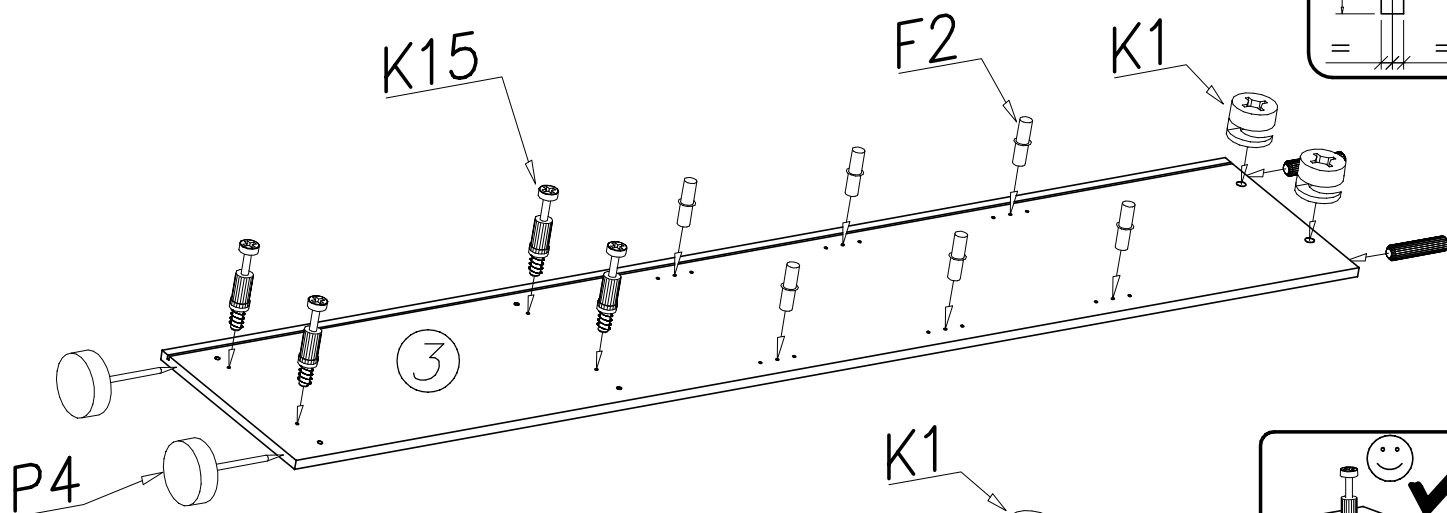
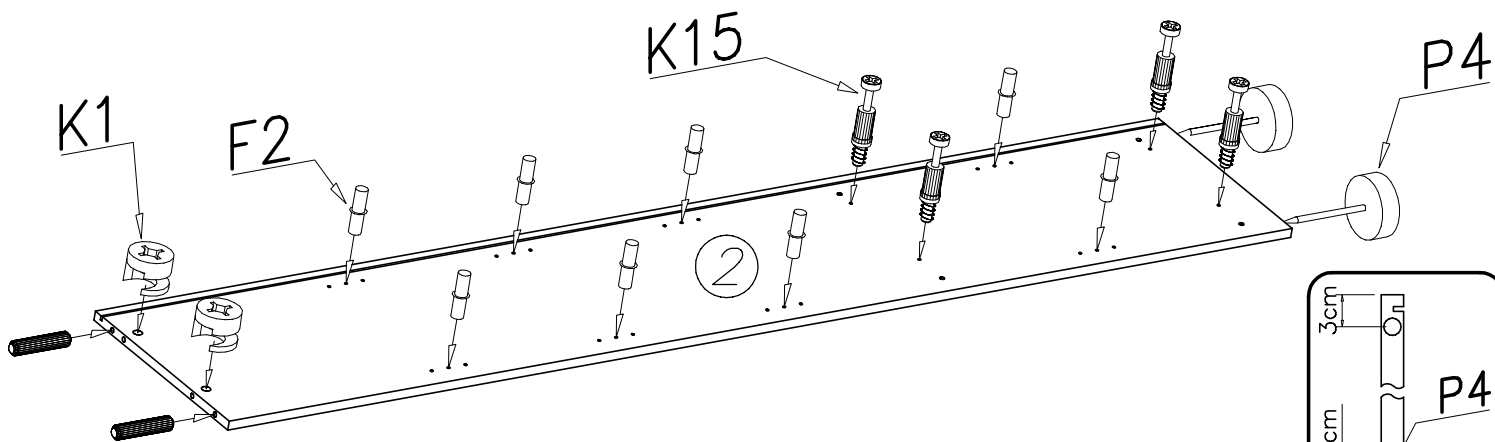
B1  x8  
 $\varnothing 8 \times 35$

K15  x8


P4  x4


K1  x8  
 $\varnothing 15 \times 12$

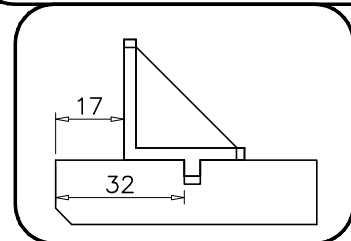
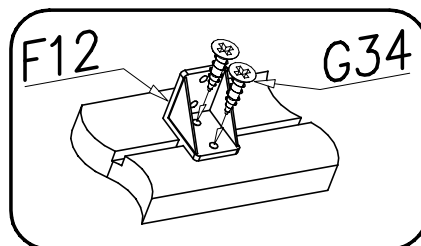
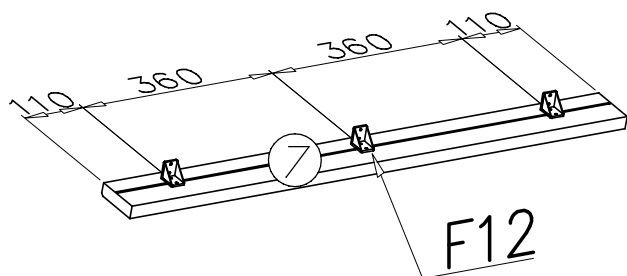
F2  x14

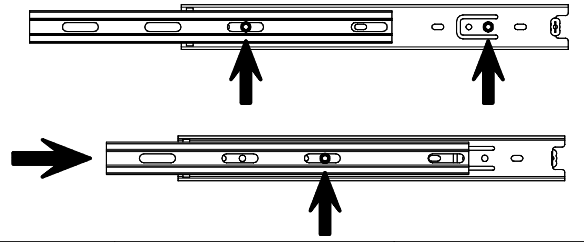
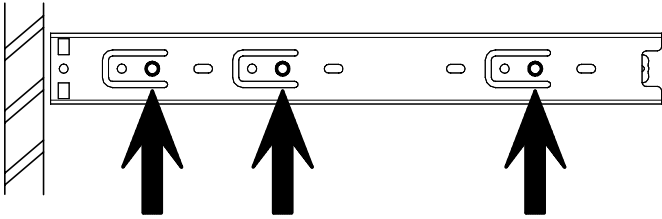
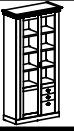


VI

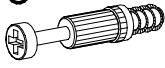
F12  x3


G34  x6  
 $3,5 \times 16$




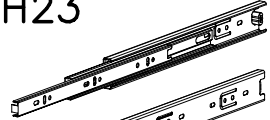


VII

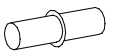
K15  x4

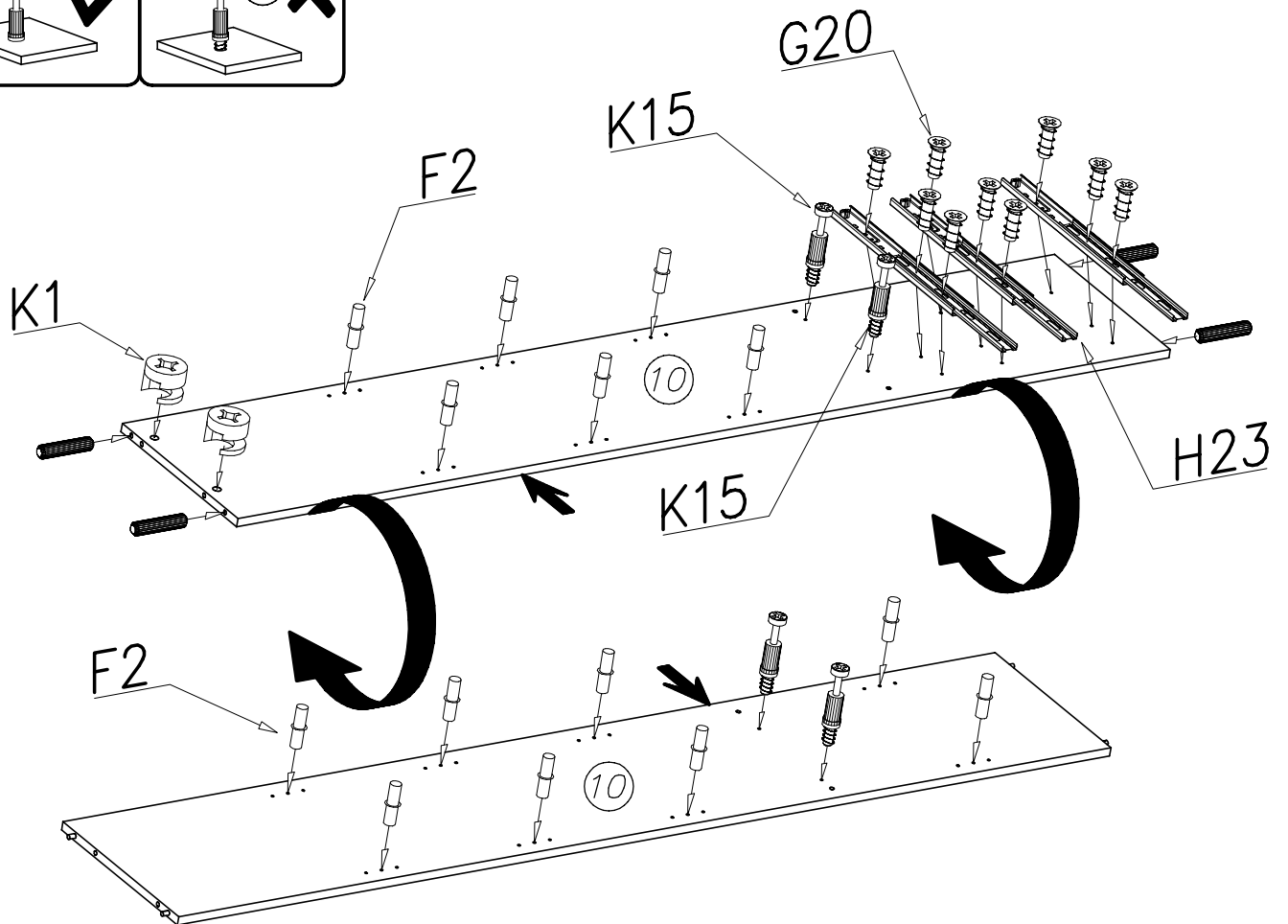
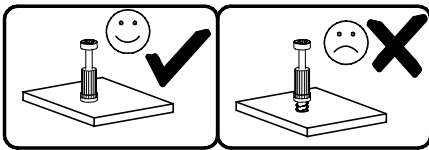
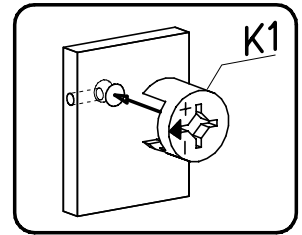
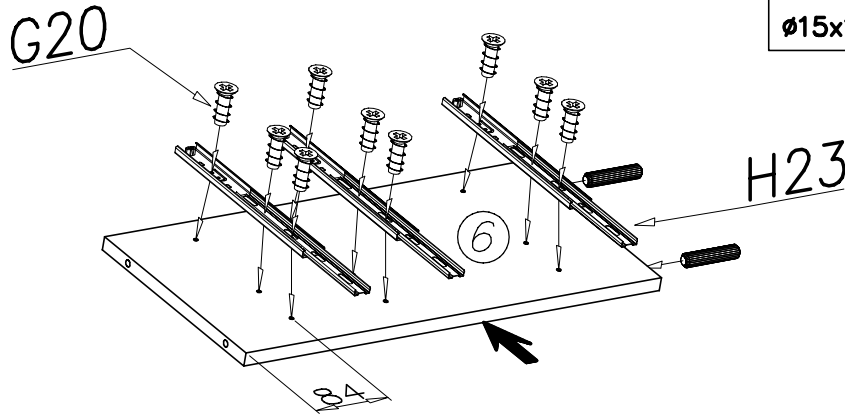
G20  5x13 x18

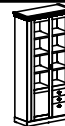
B1  ø8x35 x6

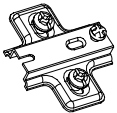
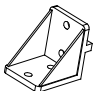

H23  H35-300mm x3

K1  ø15x12 x2

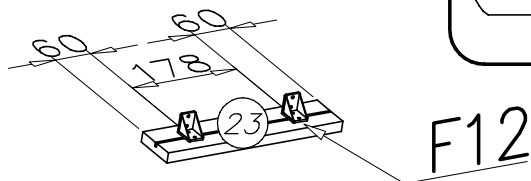
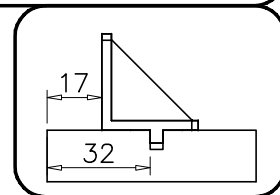
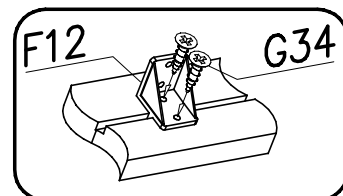
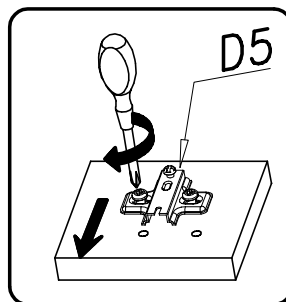
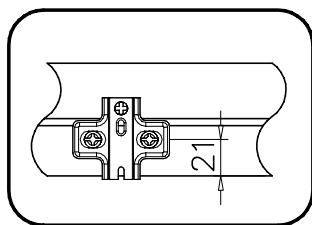
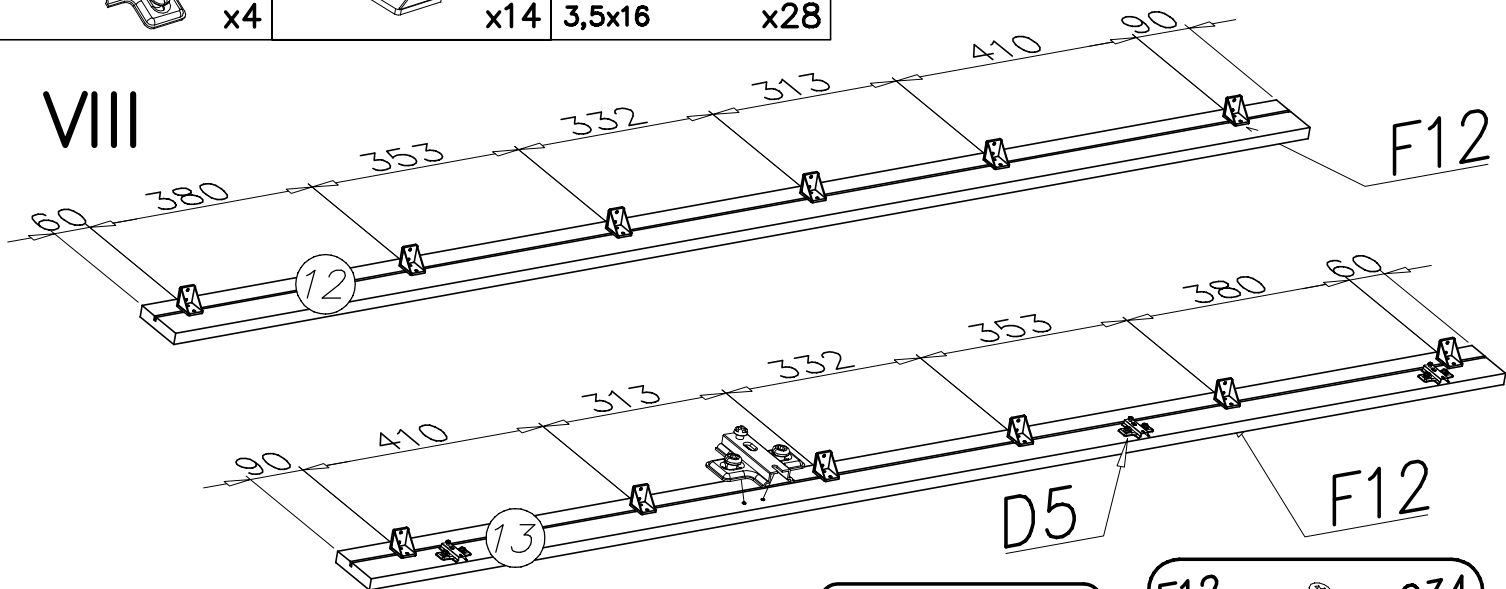
F2  x14



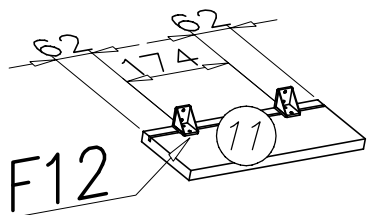


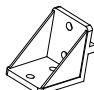

D5  x4	F12  x14	G34  3,5x16 x28
---	---	--

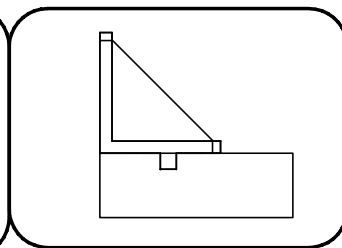
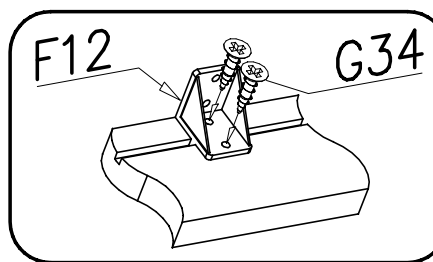
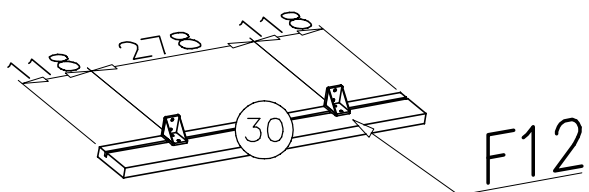
VIII



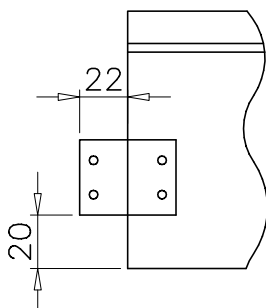
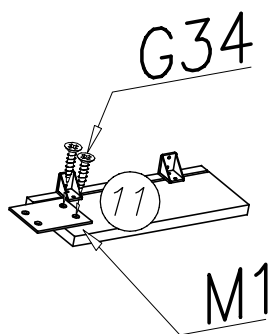
IX

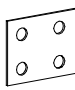



F12  x4	G34  3,5x16 x8
--	---



X



M1  x1	G34  3,5x16 x2
---	---





XI

G34

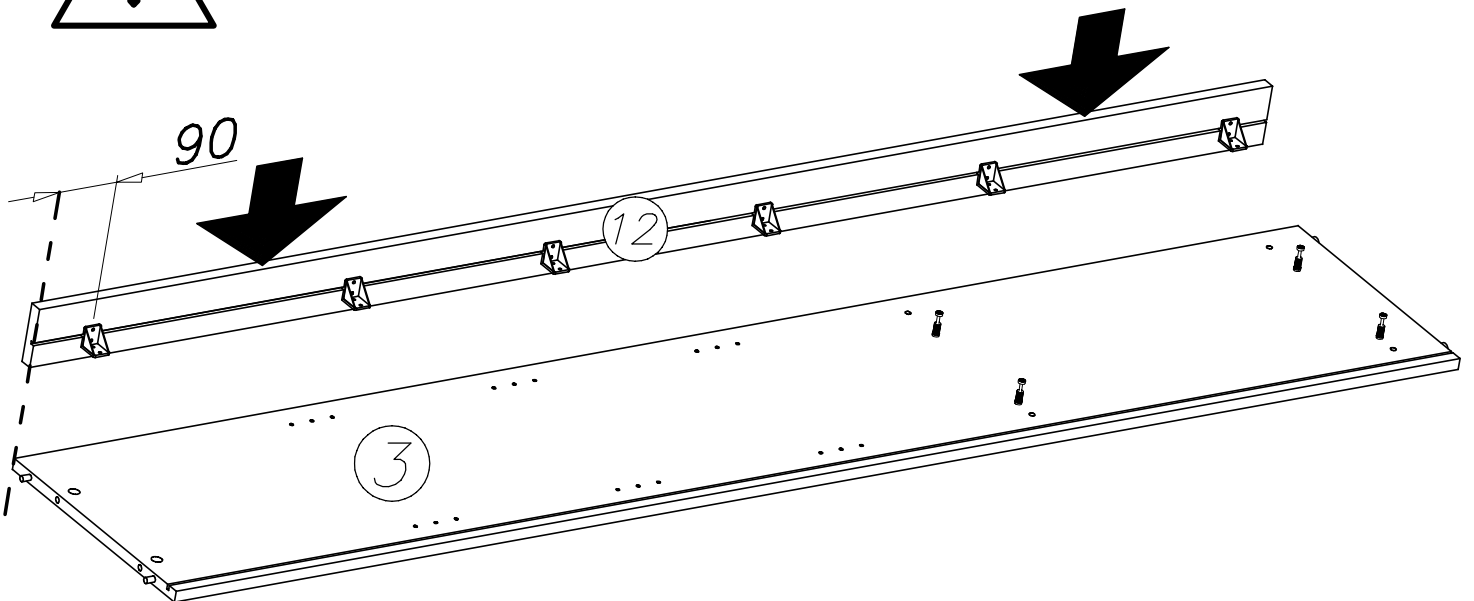
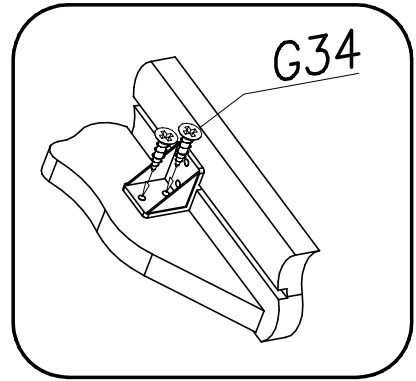
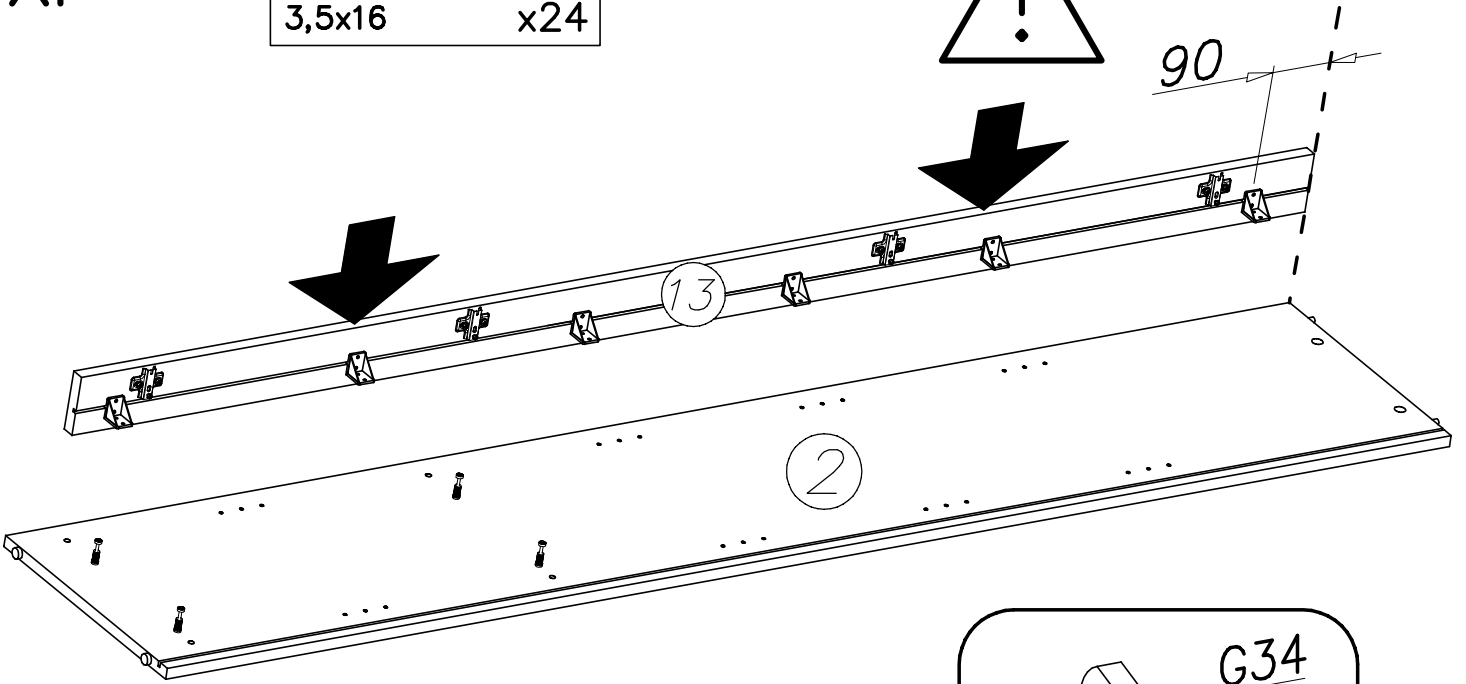


3,5x16

x24

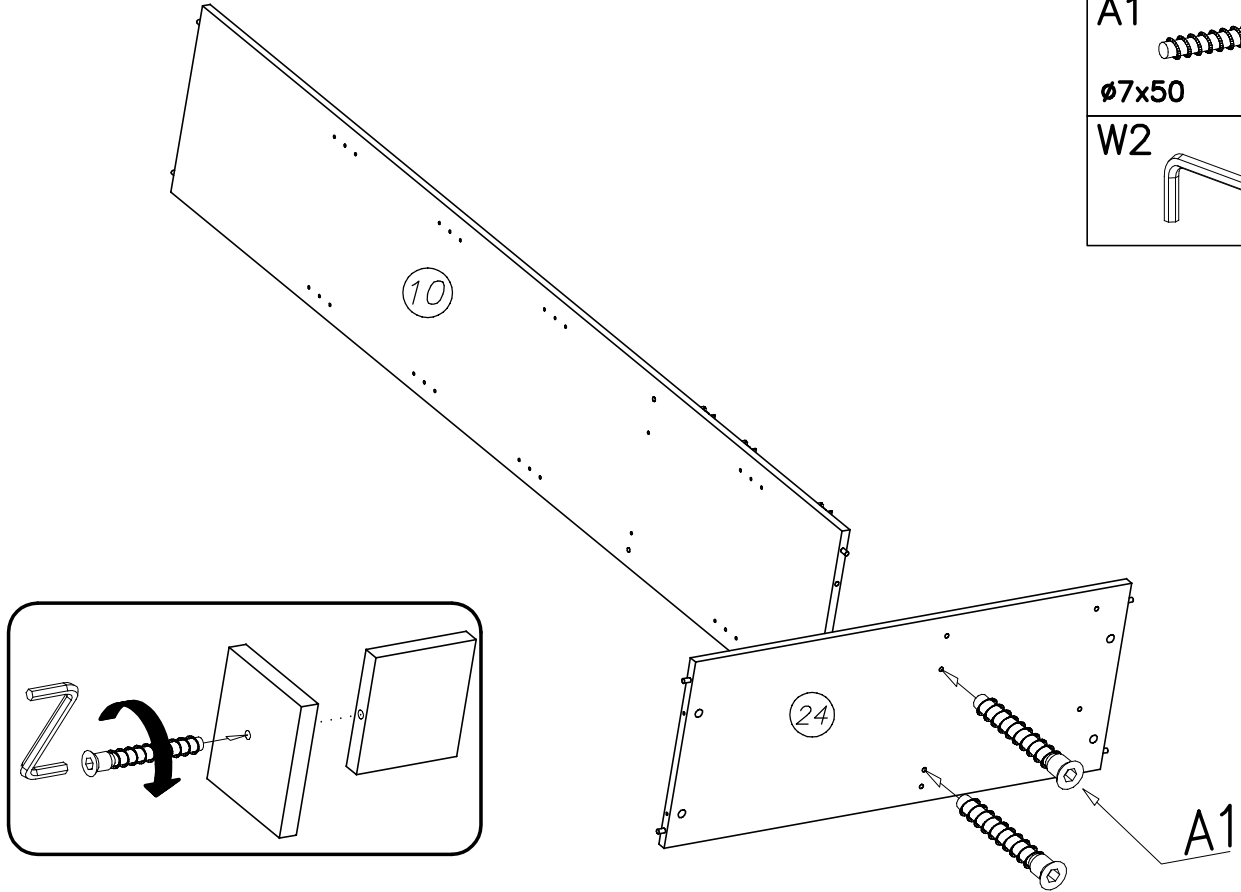



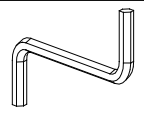
90



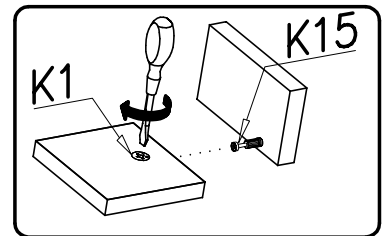
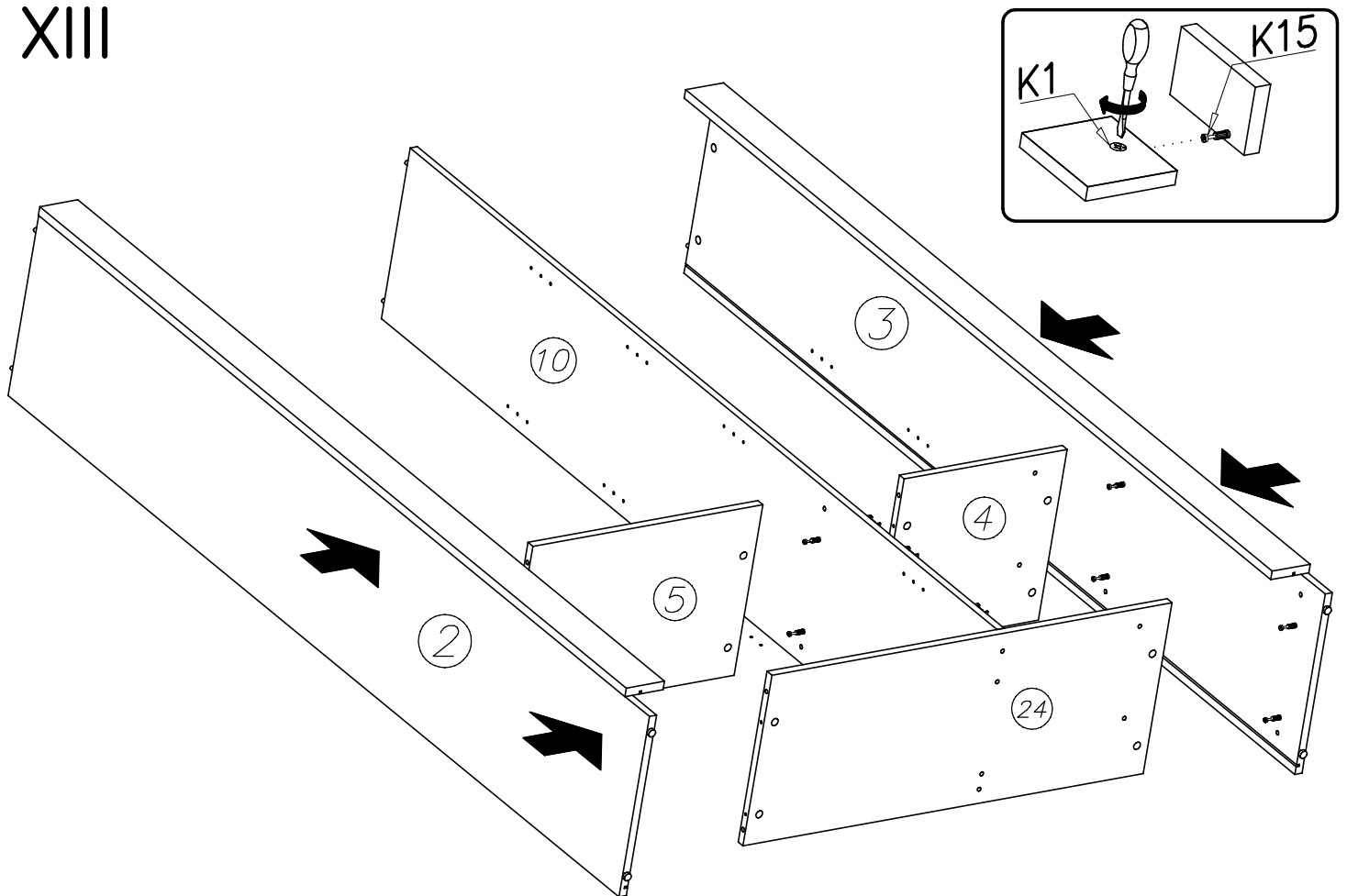


XII



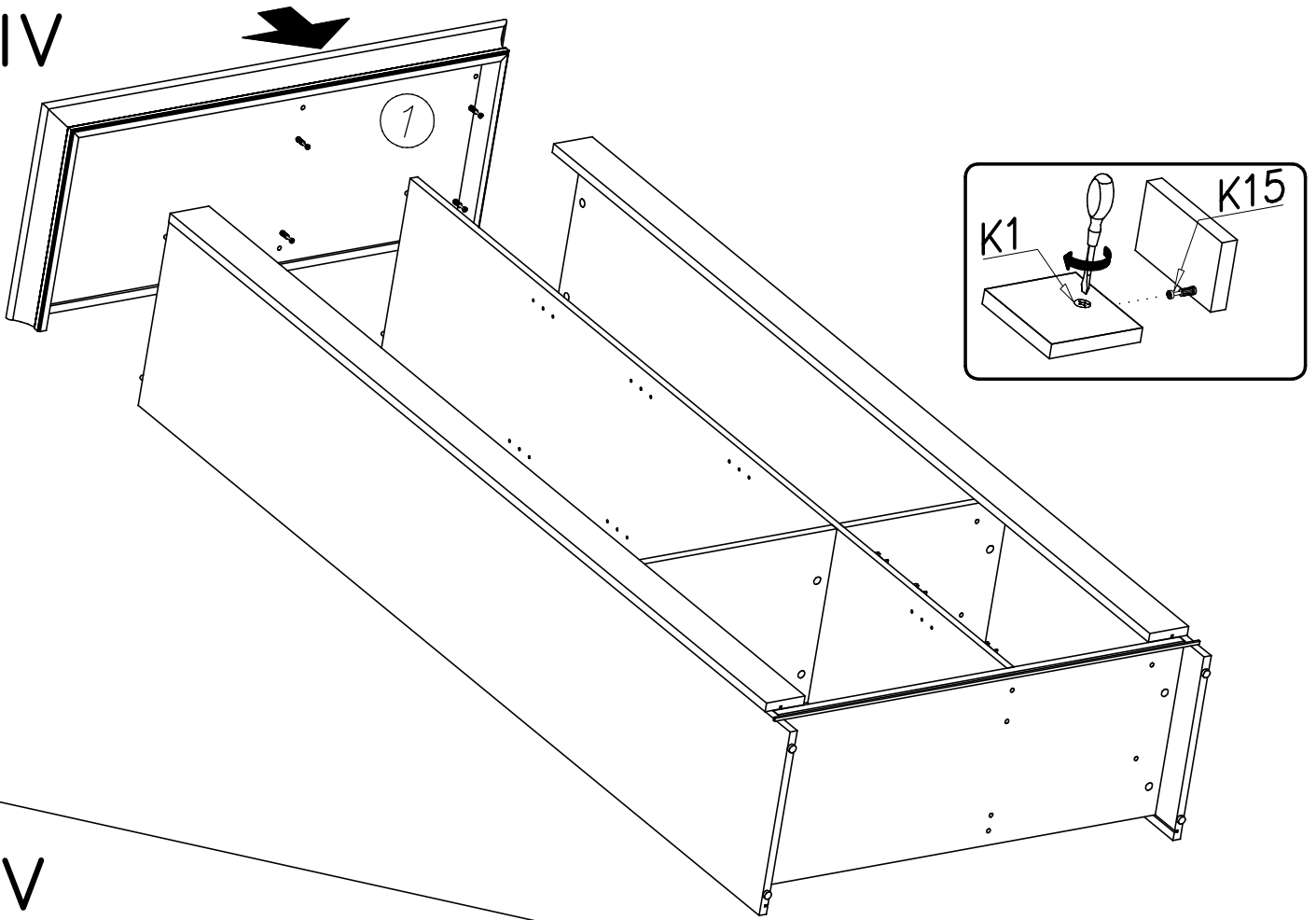
- A1   $\varnothing 7 \times 50$  x2
- W2  x1

XIII

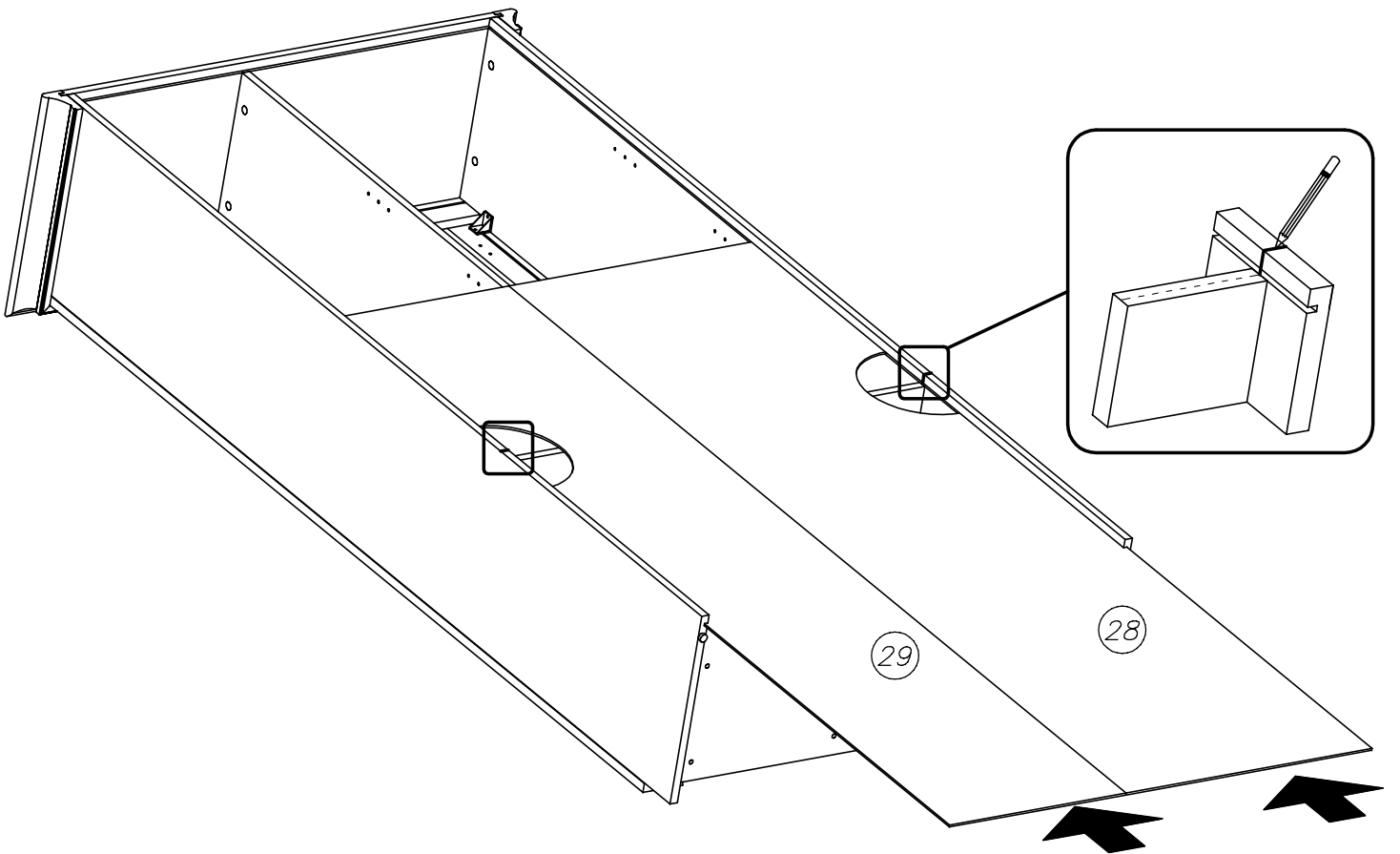




XIV

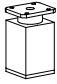



XV

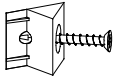


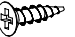


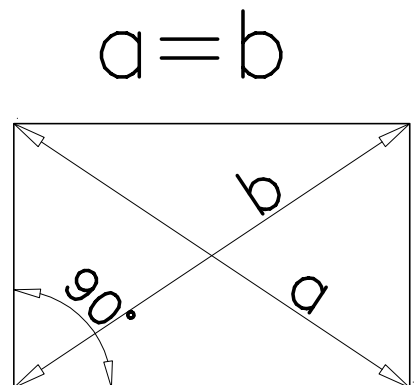
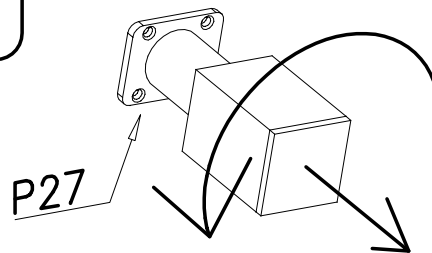
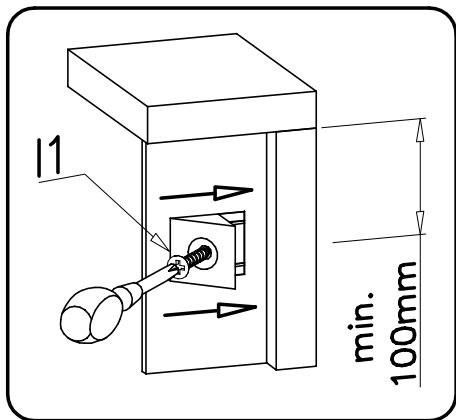
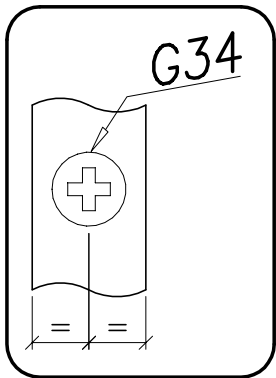
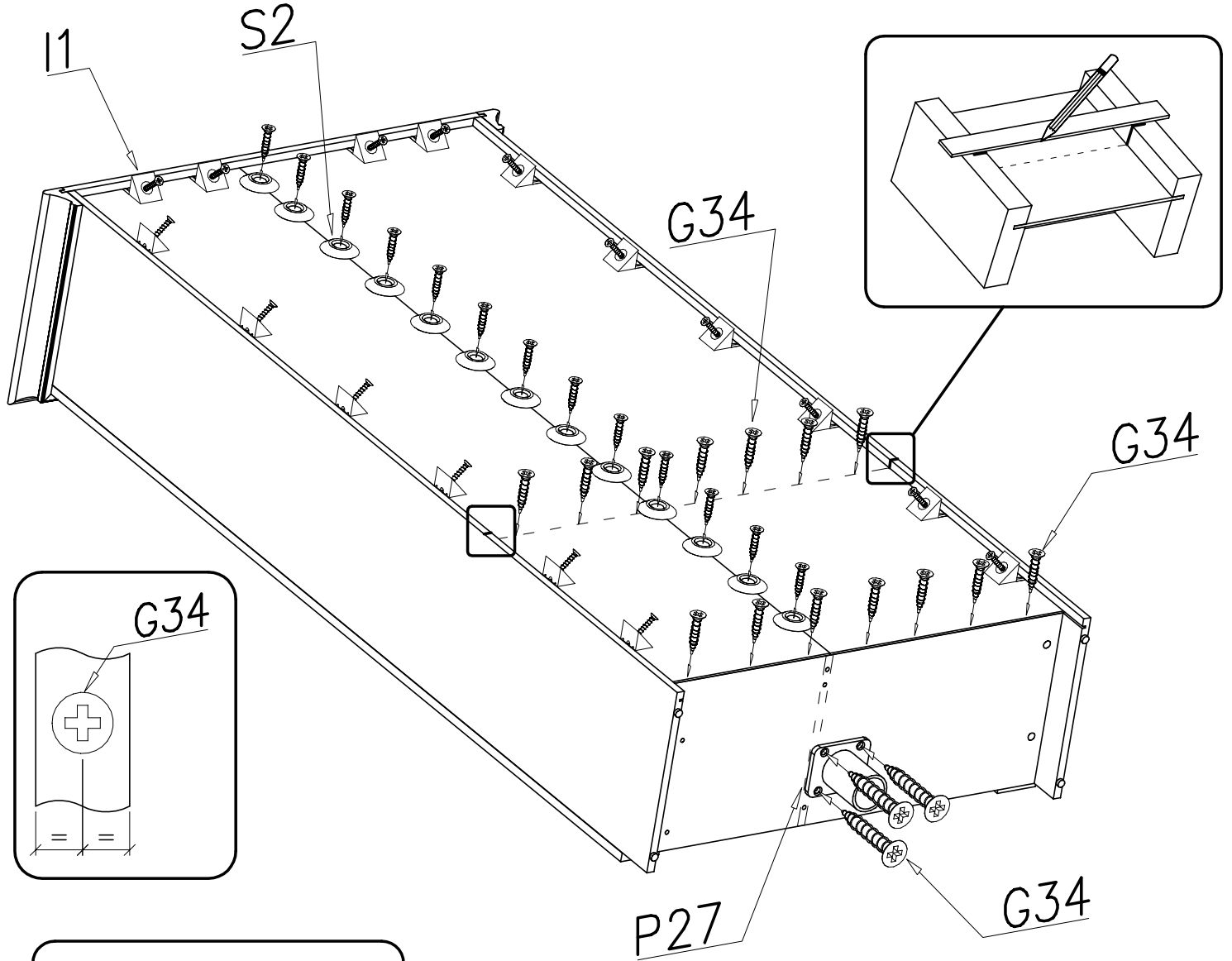
XVI

P27  x1

S2  x20

I1  x12

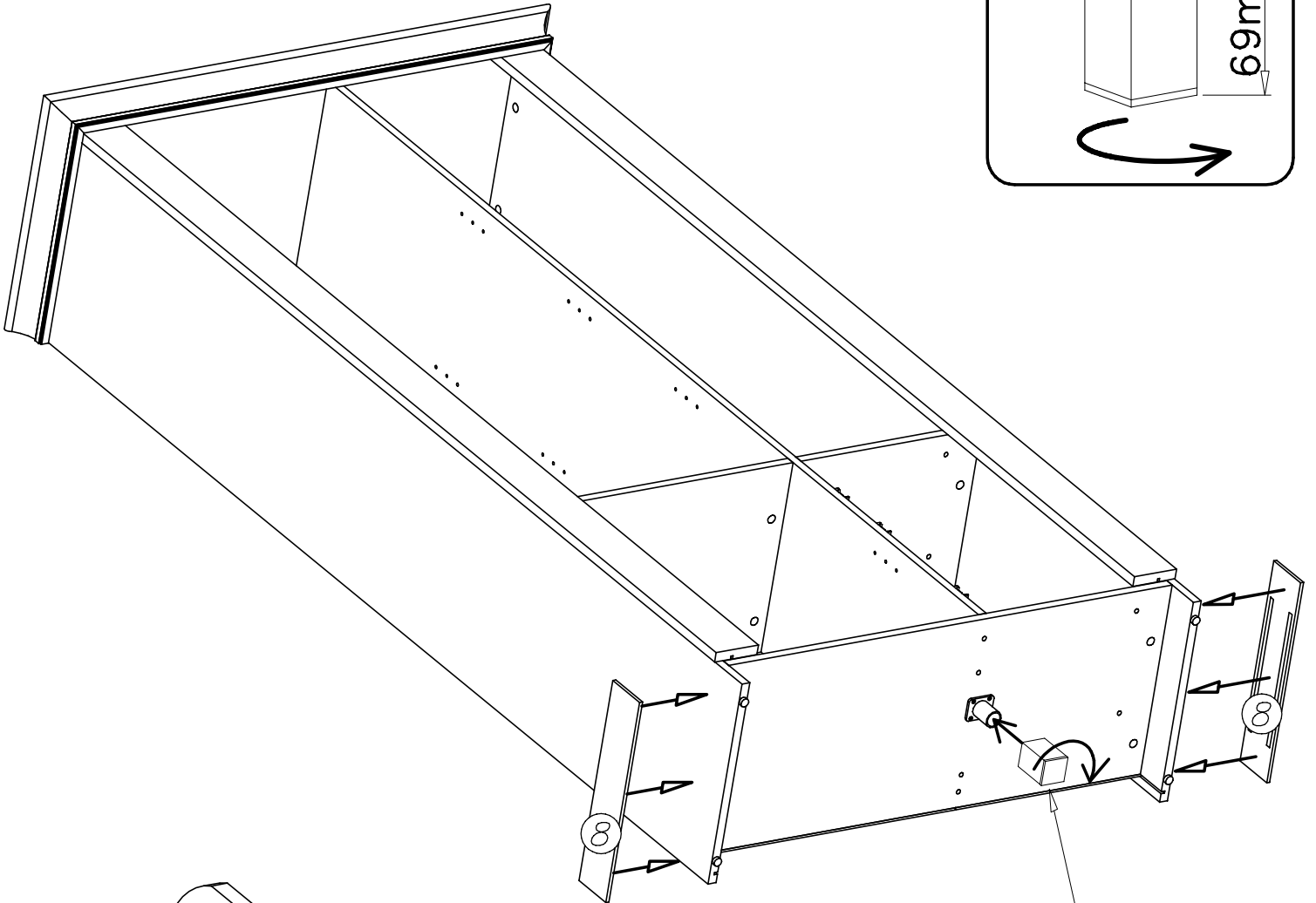
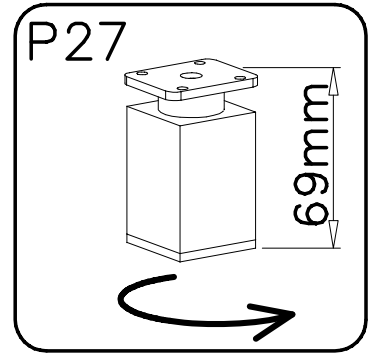
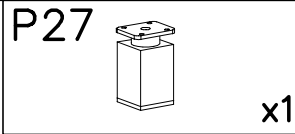
G34  3,5x16 x36



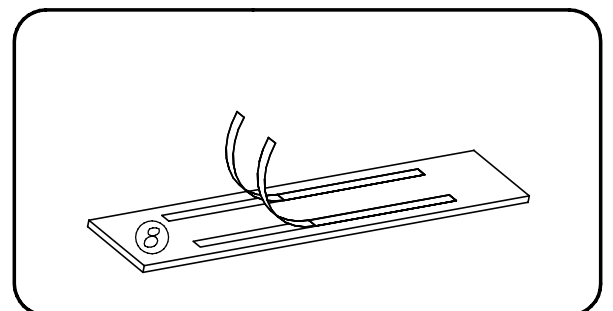
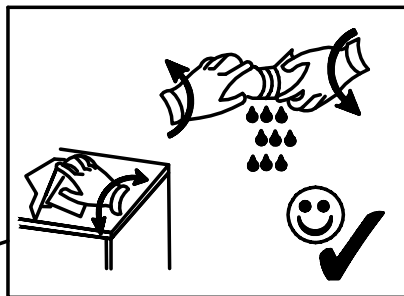
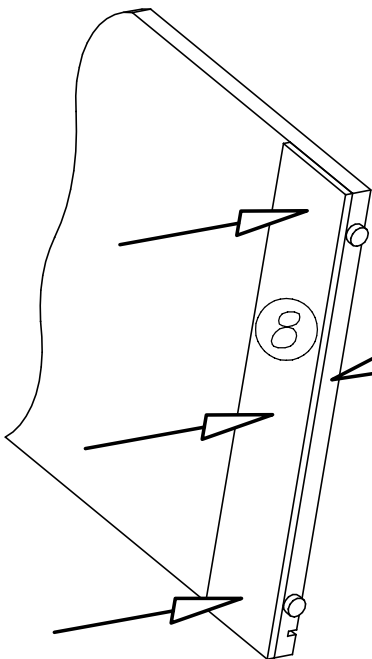
$a = b$

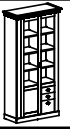


XVII

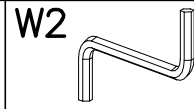


P27

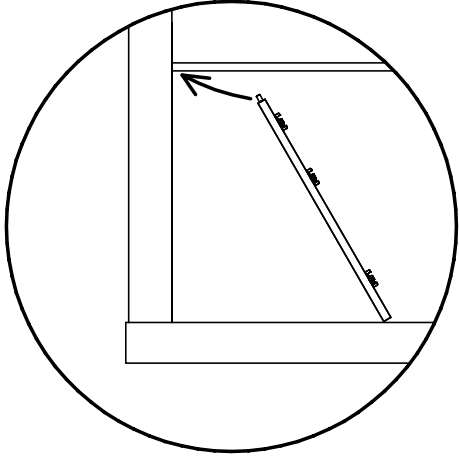




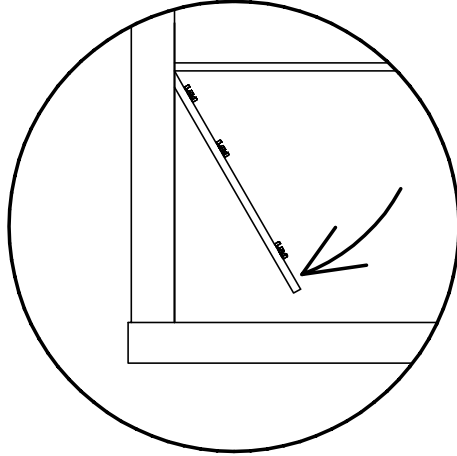
XVIII



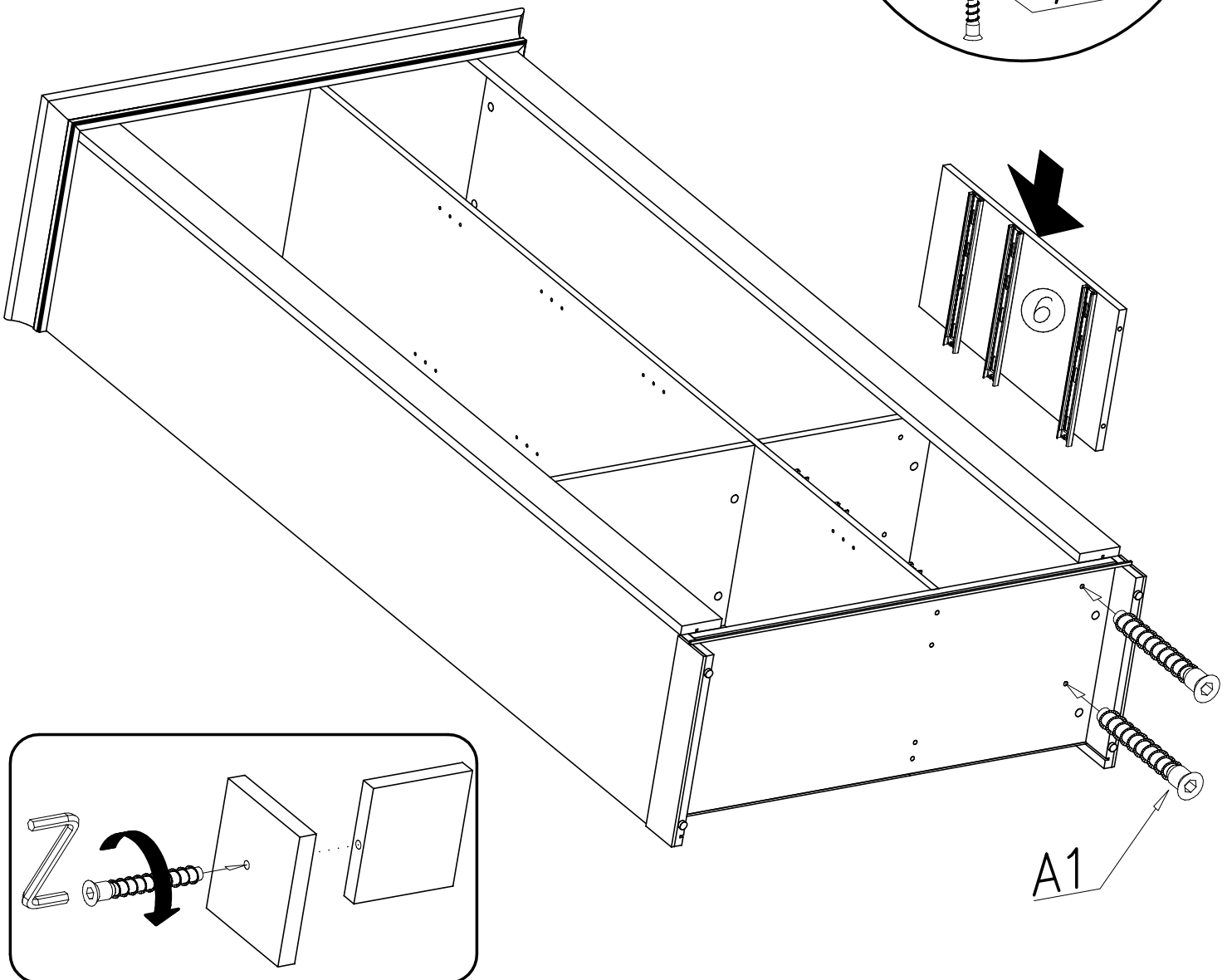
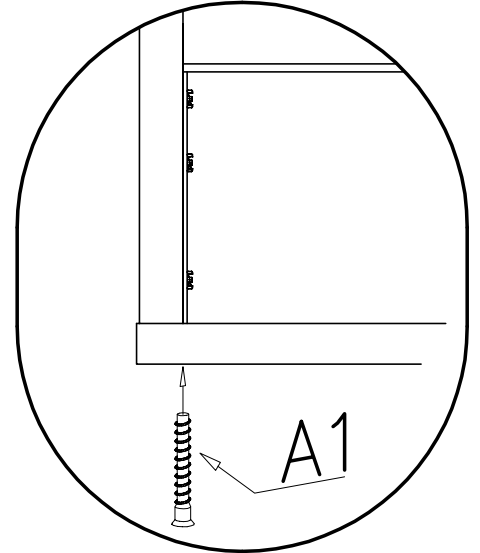
1

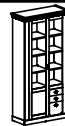


2



3





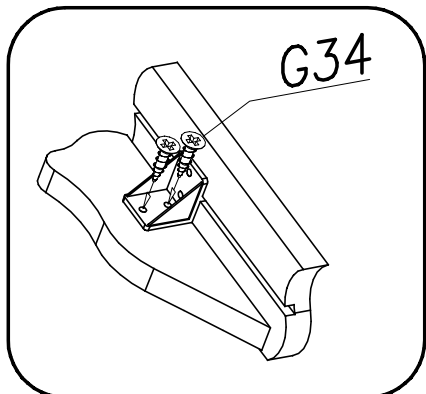
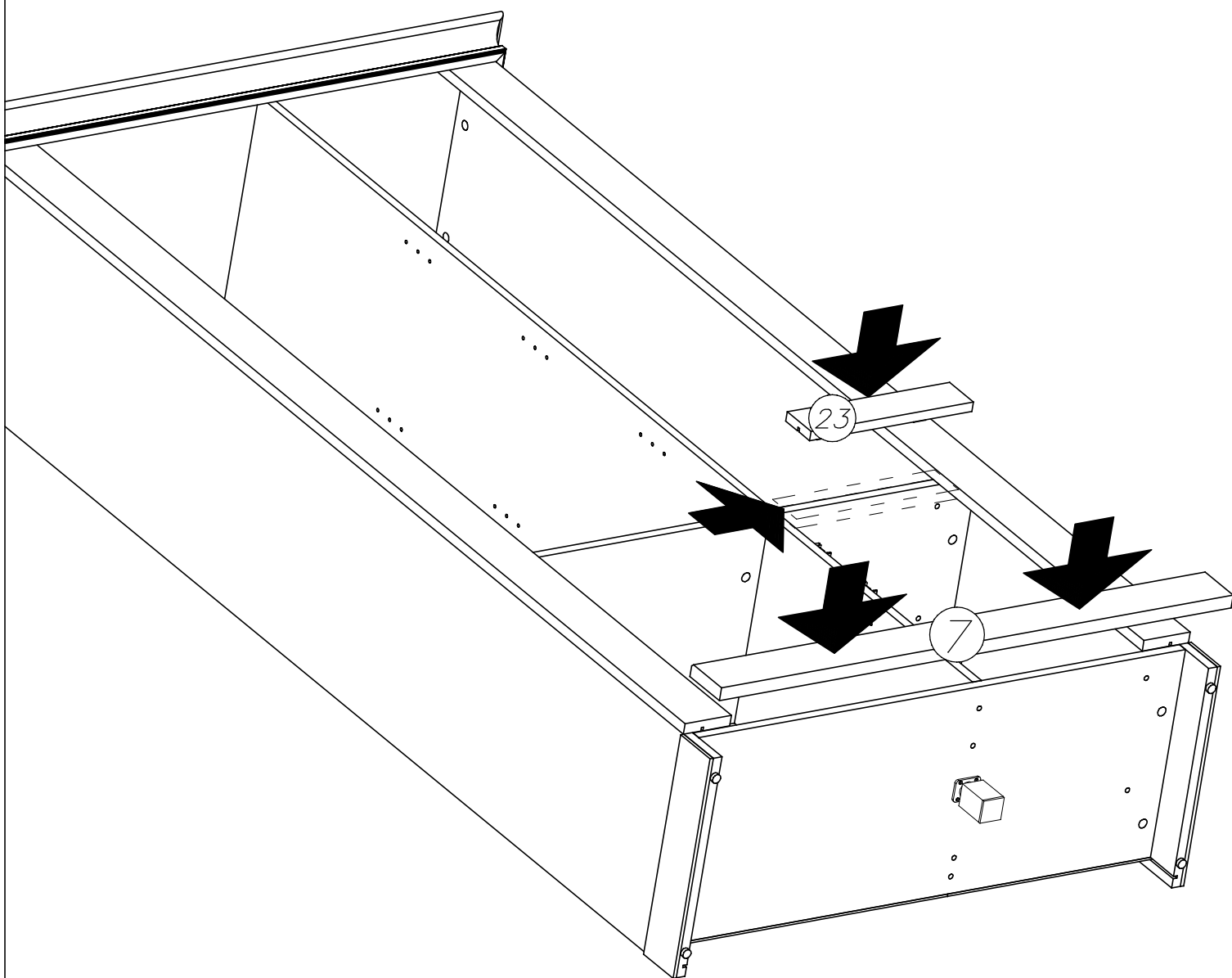
XIX

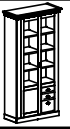
G34



3,5x16

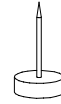
x10





XX

P4



G34

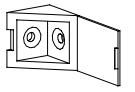


x1

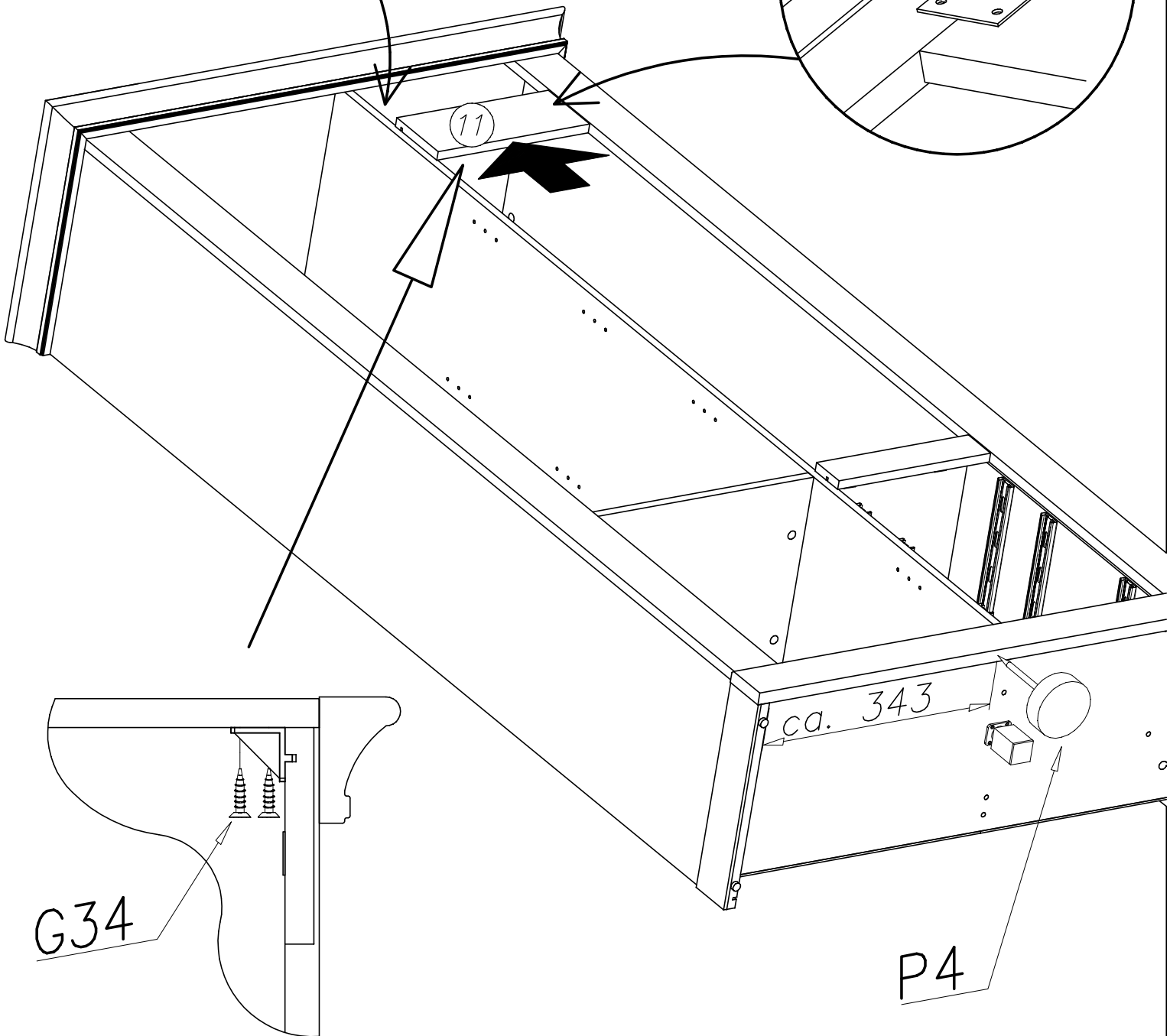
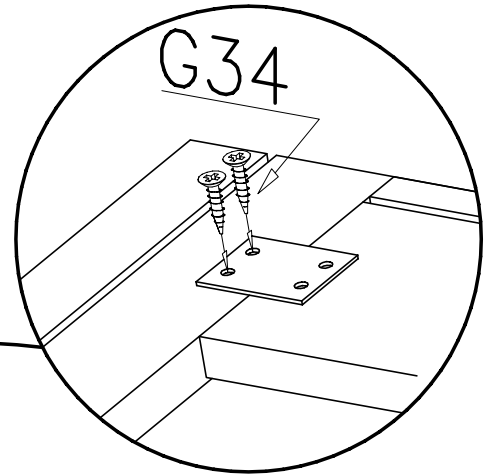
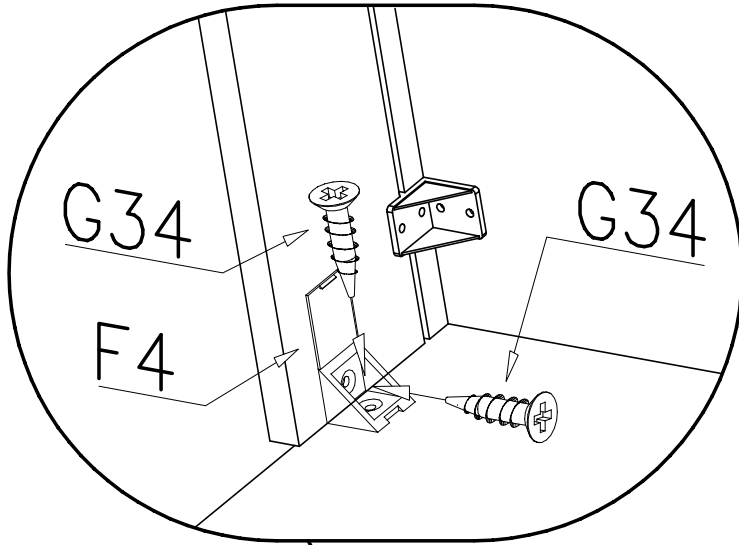
3,5x16

x8

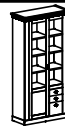
F4



x1







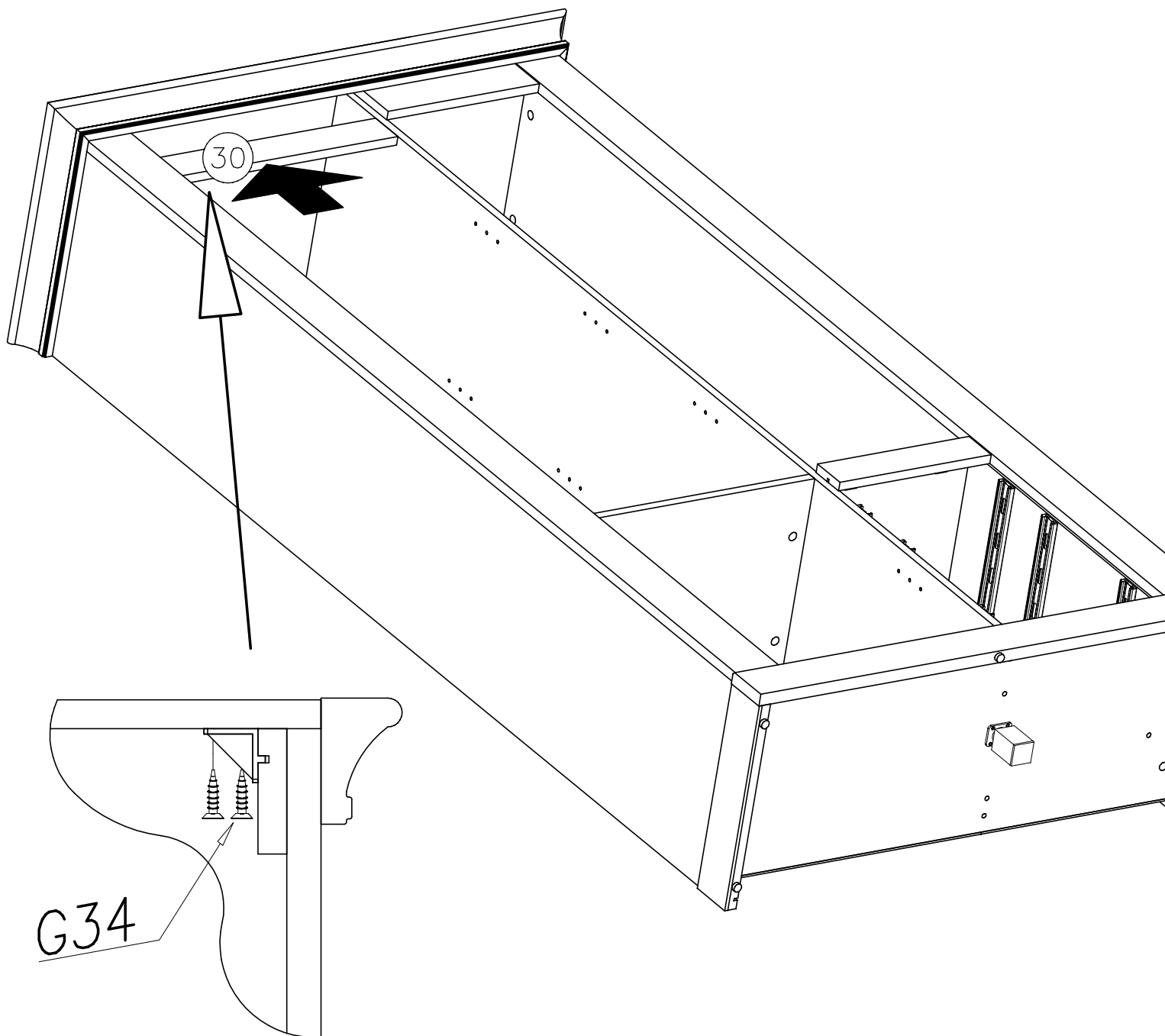
XXI

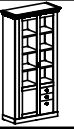
G34



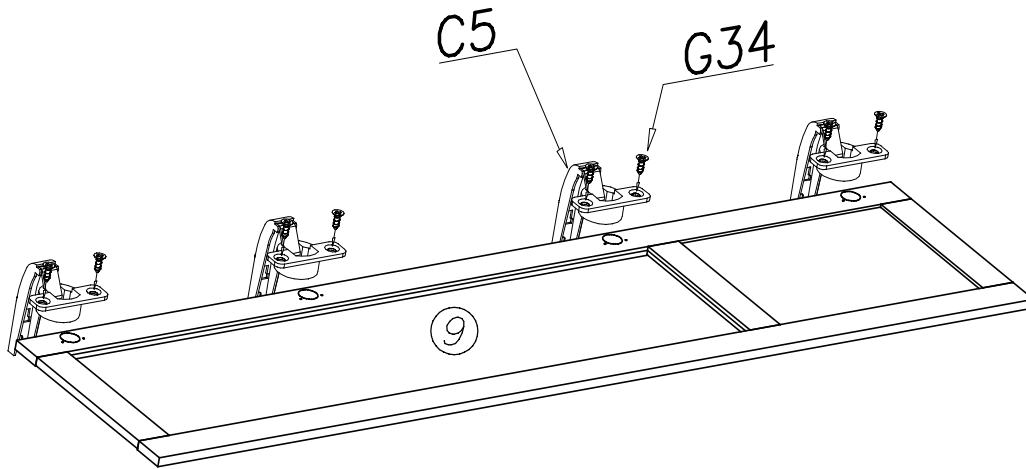
3,5x16

x8





XXII

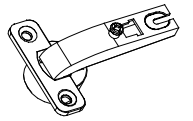


G34  
3,5x16

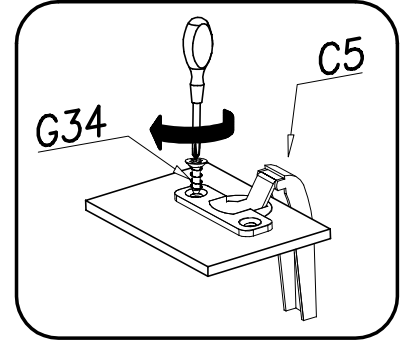


x8

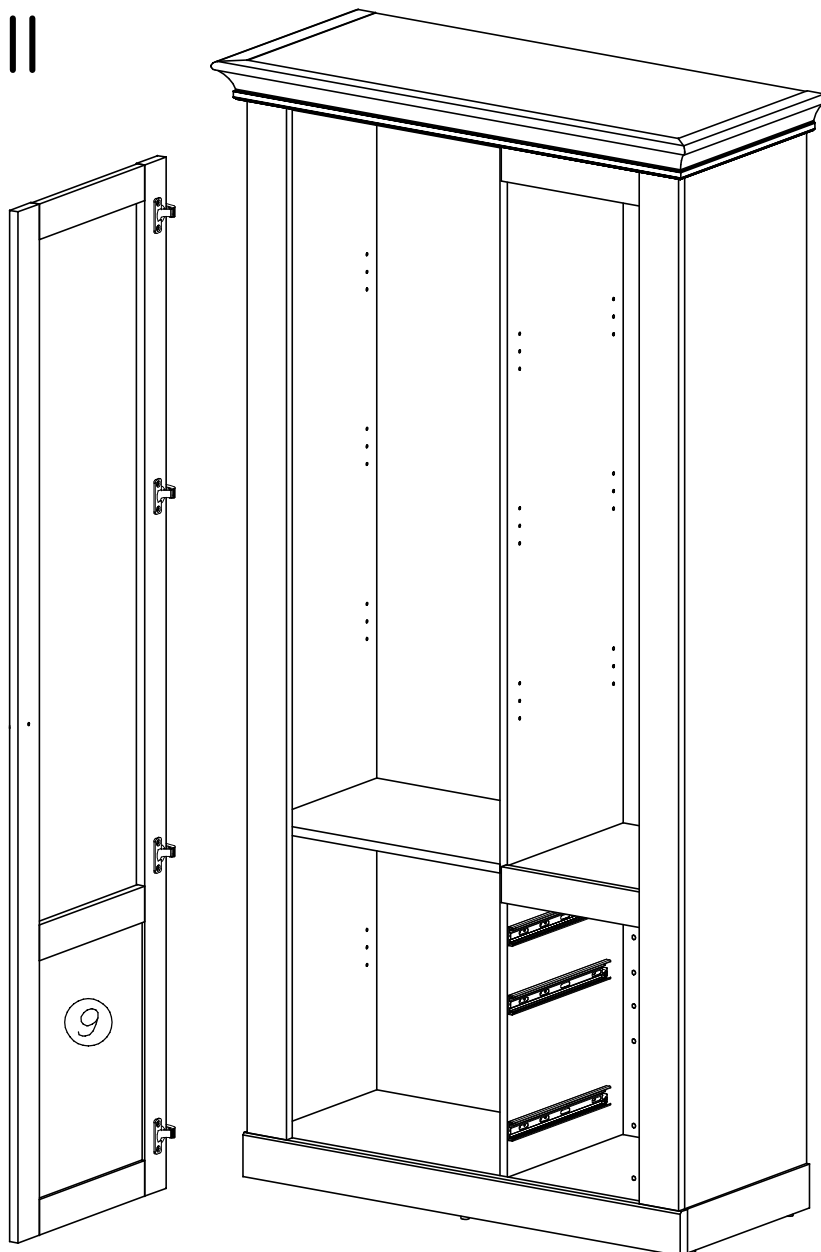
C5



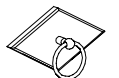
x4



XXIII



E93



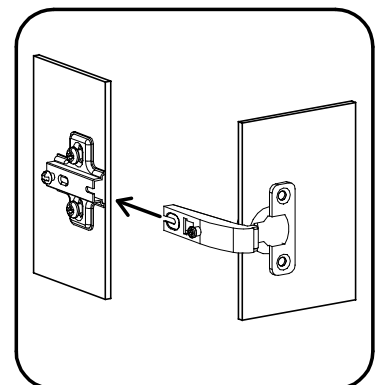
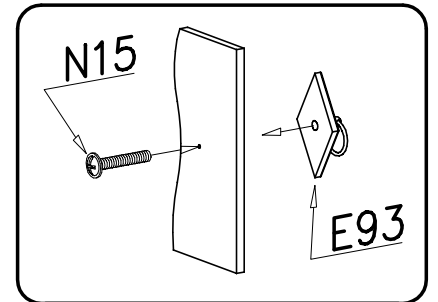
x4

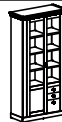
N15



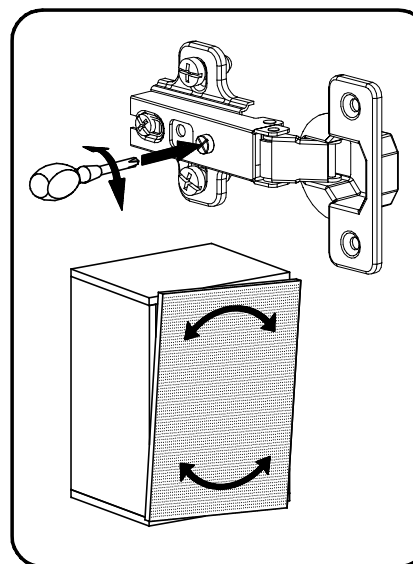
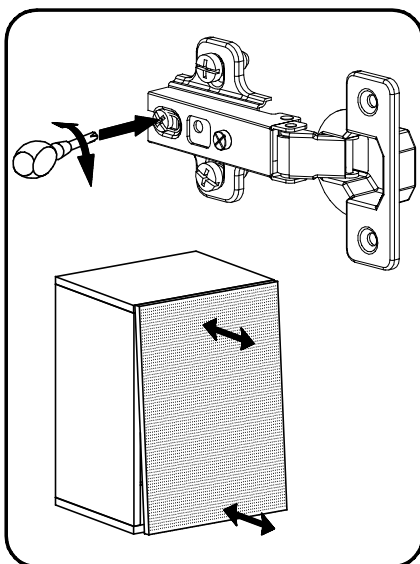
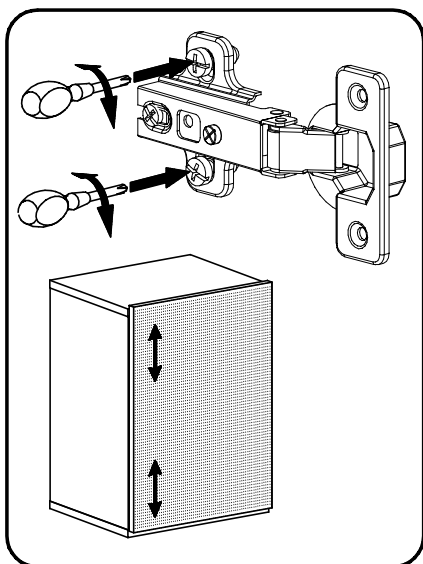
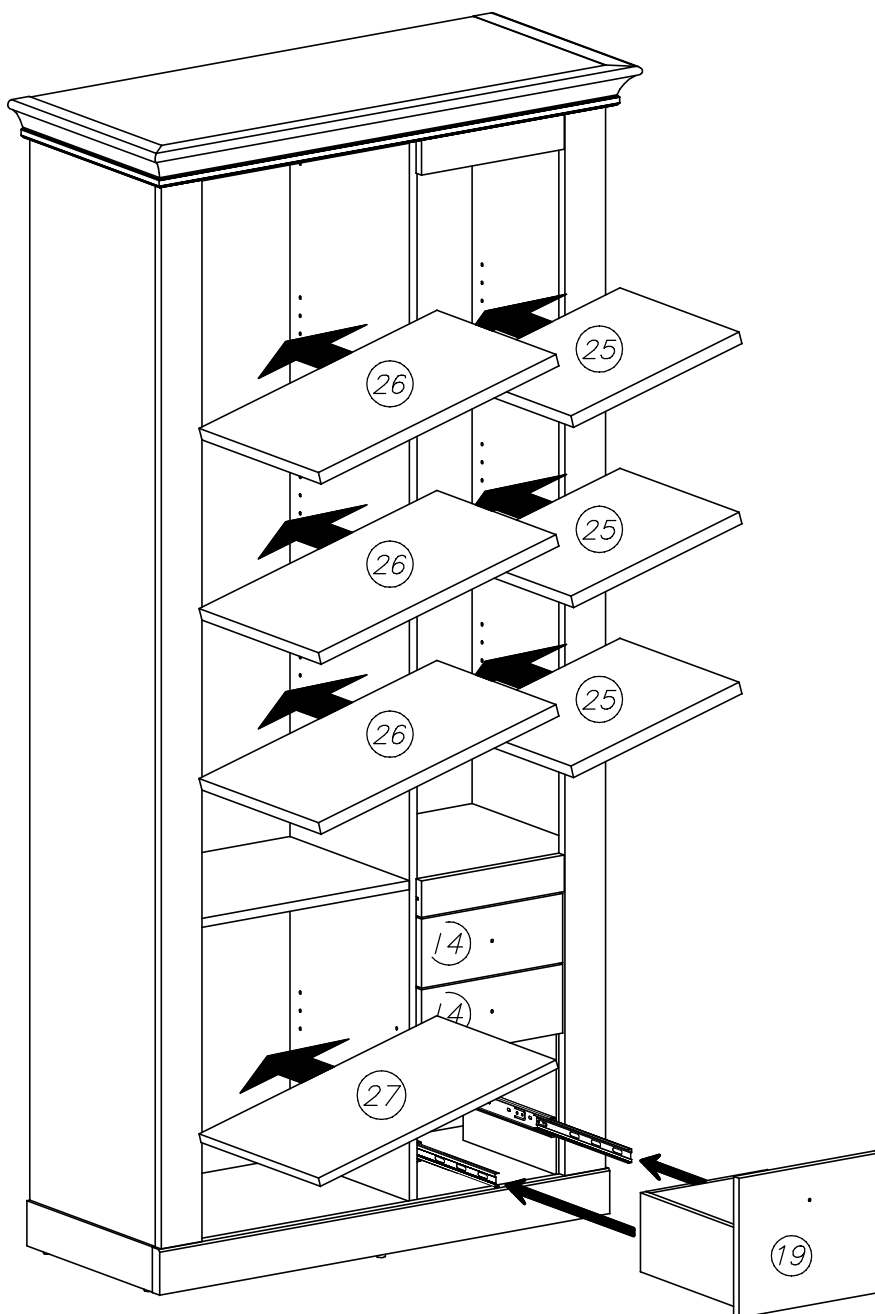
M4x25

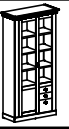
x4





XXIV





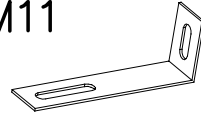
XV

17  
ø18



x18

M11



x1

G34  
3,5x16



x2

