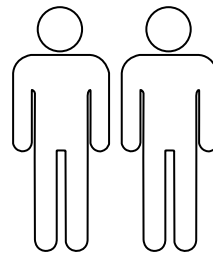
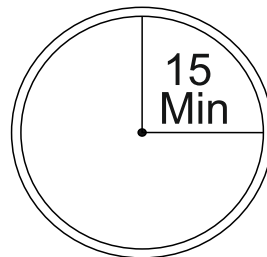
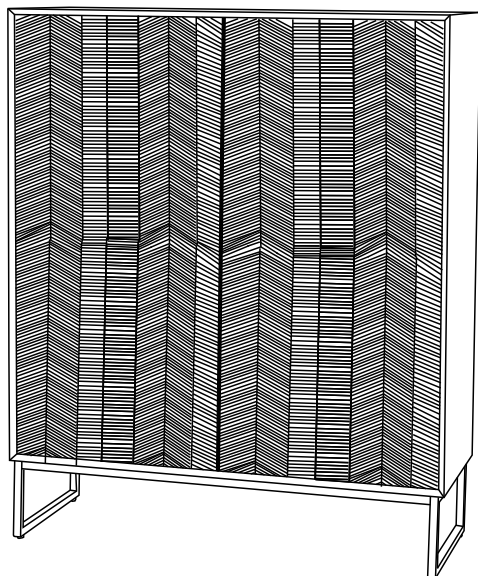


Art.No.69884

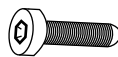


A



(6x16mm)
(4 Pcs.)

B



(6x30mm)
(4 Pcs.)



(5x16mm)
(4 Pcs.)

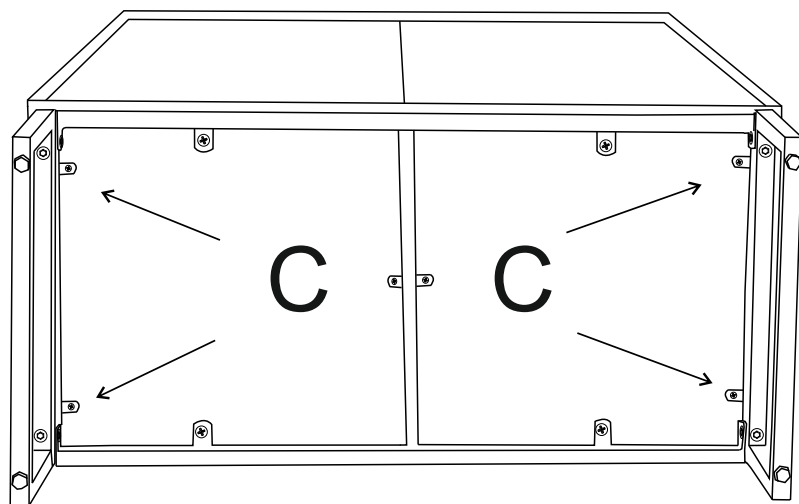


(1 Pcs.)

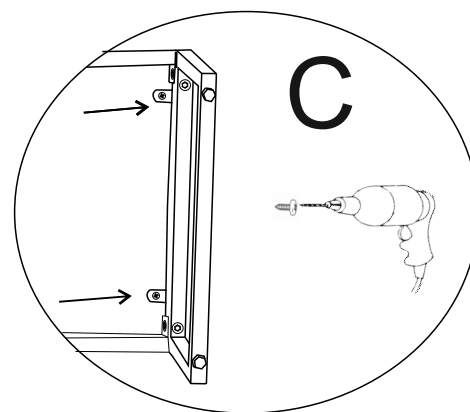
C



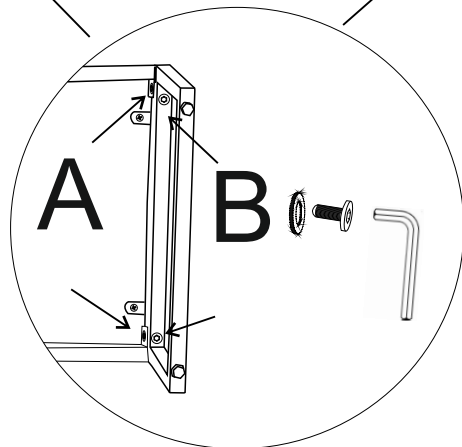
(4x16mm)
(4 Pcs.)



Step 2



Step 1



Assembled Product

