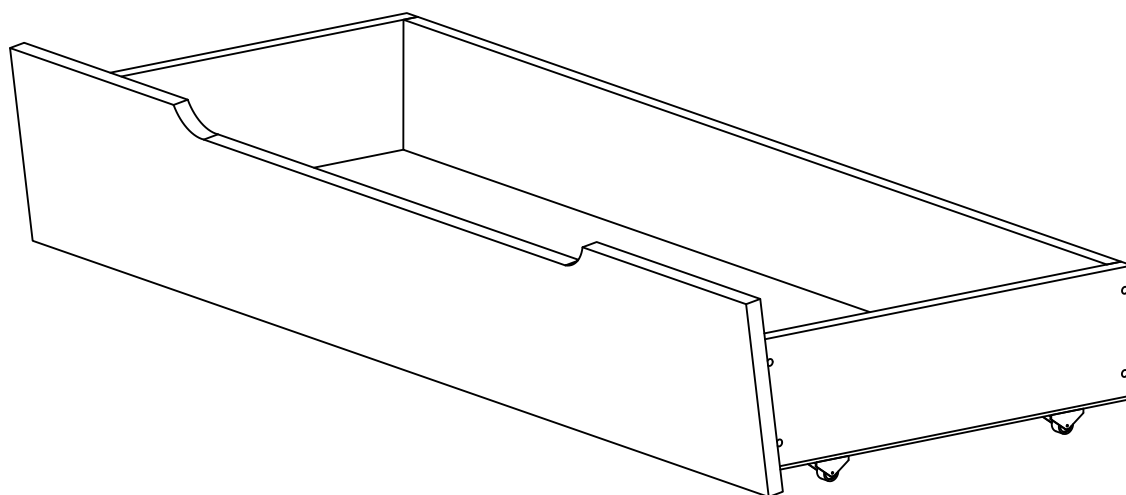








LADICA MODIFICIRANA - MONTAGEANLEITUNG

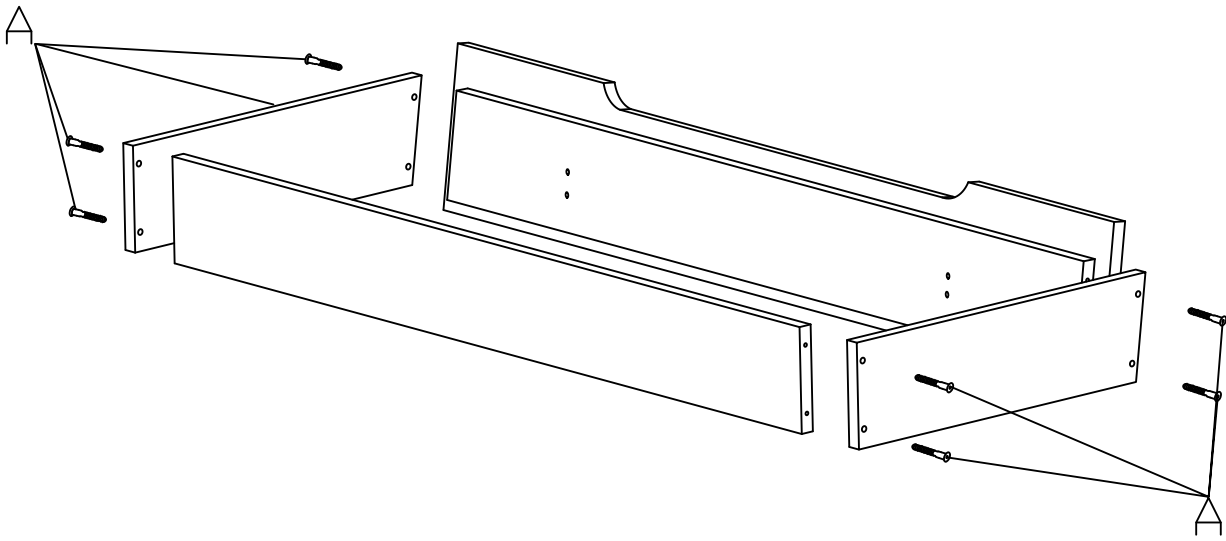


15 Minutes



| | | | | | |
|---|---|---|---|--|---|
| 7x50 | 3,5x30 | KB 25 | 3,5x16 | 4x50 | SW 4 |
|  |  |  |  |  |  |
| Ax8 | Bx20 | Cx4 | Dx8 | Ex8 | |

1.



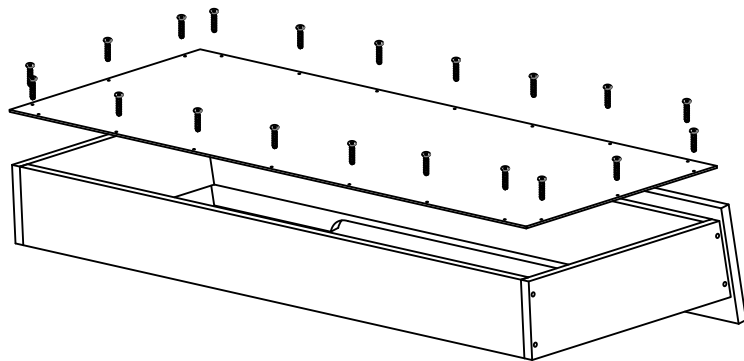
7x50

SW 4



Ax8

2.

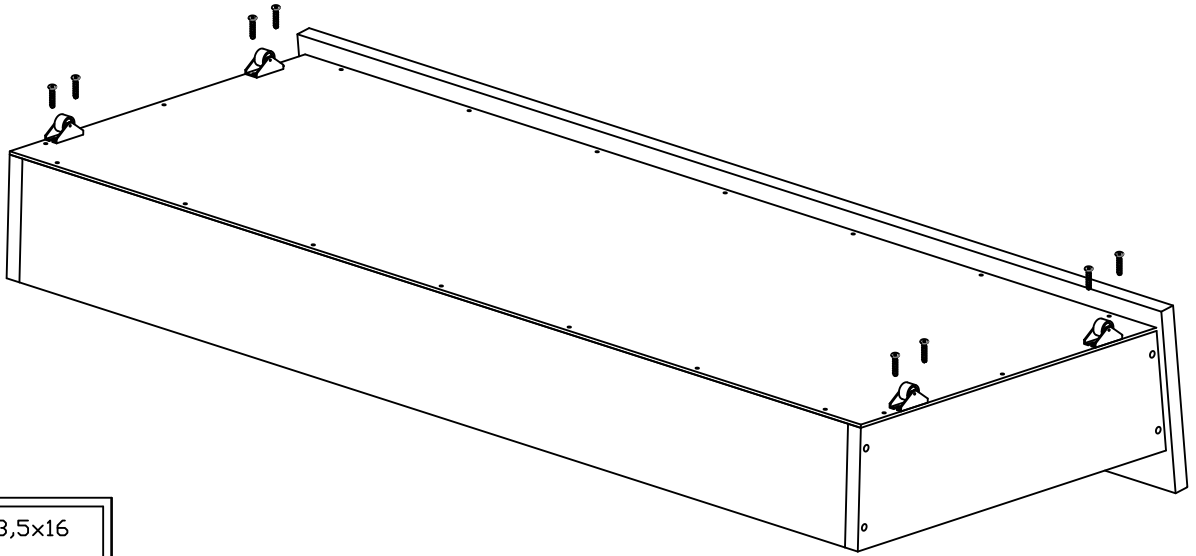


3,5x30



Bx20

3.



KB 25

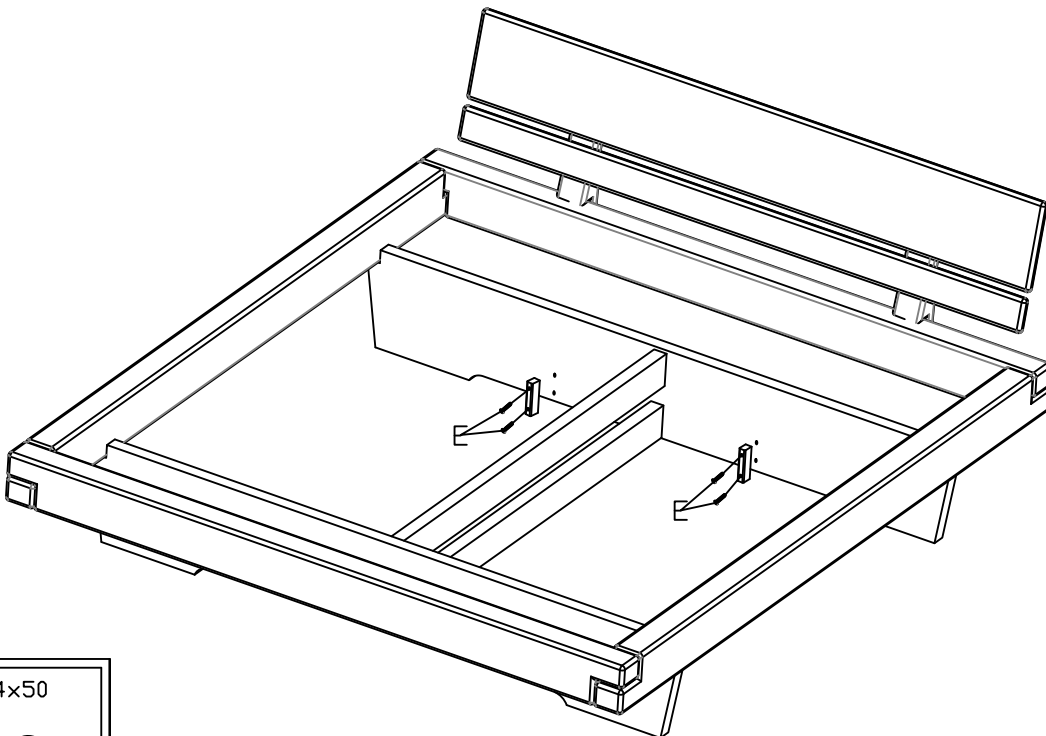
3,5x16



Cx4

Dx8

4.

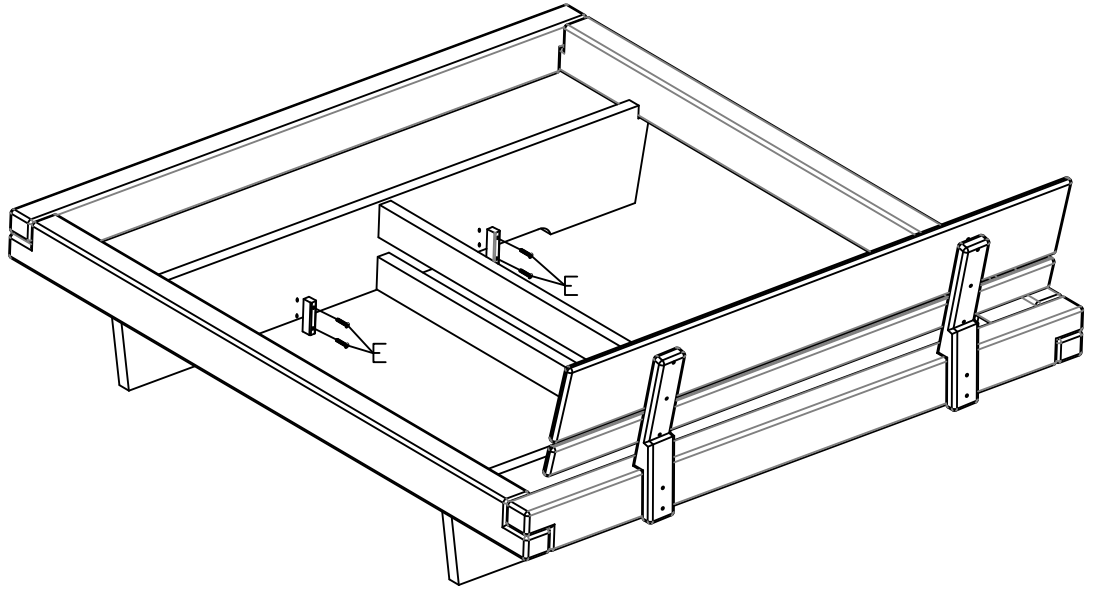


4x50



Ex4

5.



4x50



E x 4

6.

