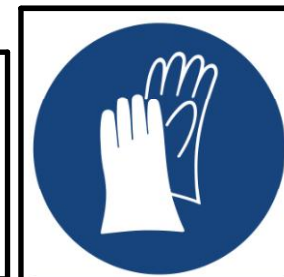
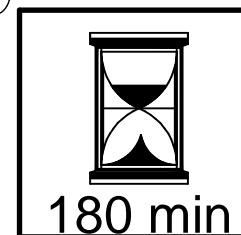
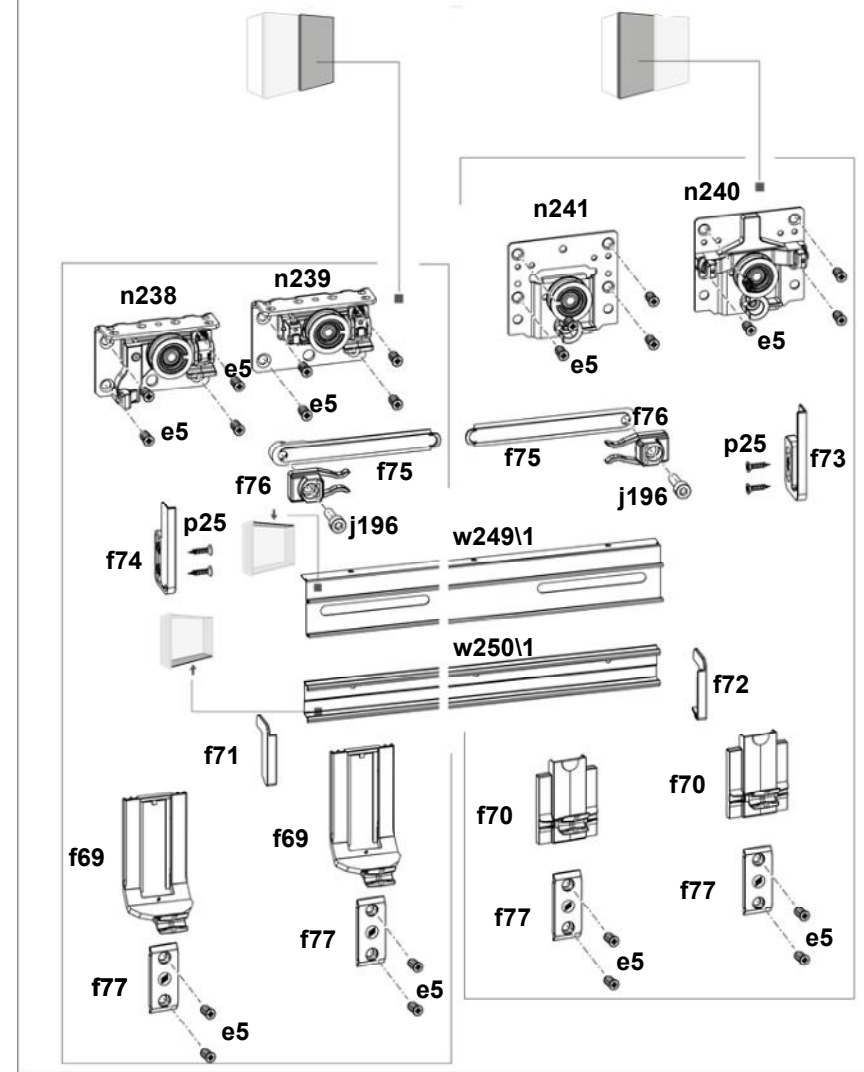
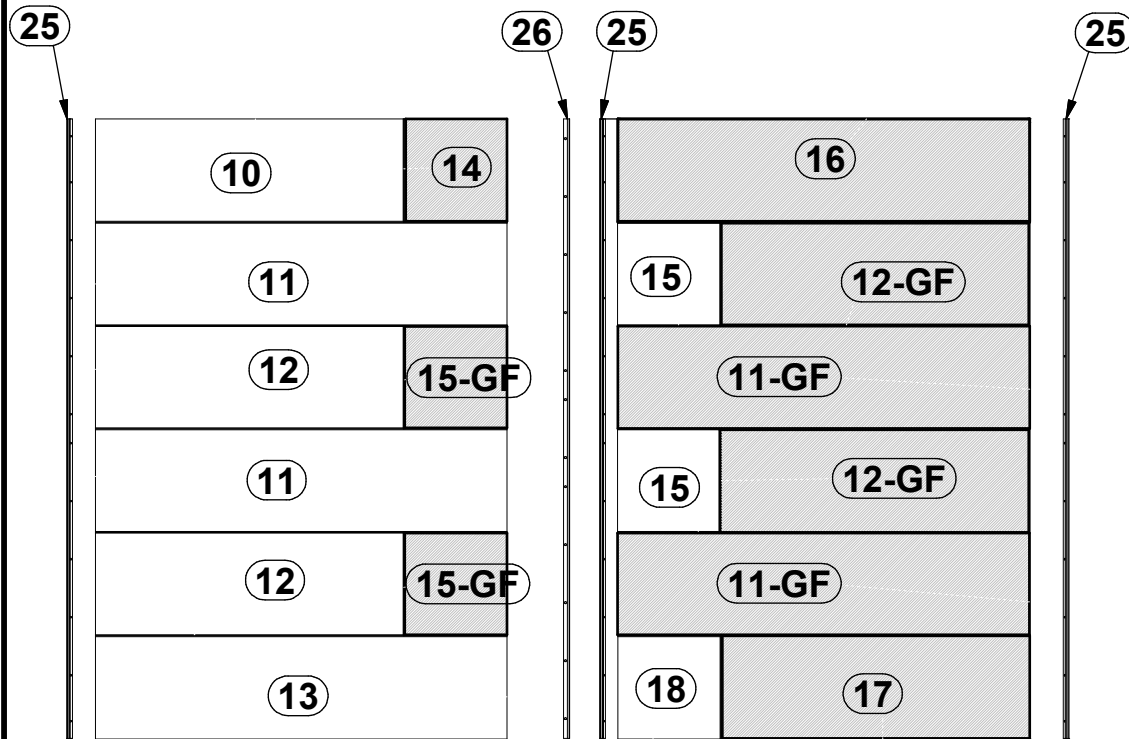


A	B	C1	C2	C3	D
1	L110-3004	827	535	15	4/7
2	L110-3005	979	535	15	4/7
3	L110-3006	827	535	15	4/7
4	L110-3007	979	535	15	4/7
5	L110-1001	2100	551	15	2/7
6	L110-1002	2100	580	15	2/7
7	L110-1003	2099	535	18	3/7
8	L110-3001	827	480	22	1/7
9	L110-3002	979	480	22	1/7
10	L110-7001	1022	342	15	6/7
11	L110-7002	1364	342	15	5/7
11-GF	L110-7002	1364	342	15	5/7
12	L110-7003	1022	342	15	6/7
12-GF	L110-7003	1022	342	15	6/7
13	L110-7004	1364	342	15	5/7
14	L110-7005	342	342	15	6/7
15	L110-7006	342	342	15	6/7
15-GF	L110-7006	342	342	15	6/7
16	L110-7007	1364	342	15	5/7
17	L110-7008	1022	342	15	6/9
18	L110-7009	342	342	15	6/7
19	L110-9301	2028	837	2,5	2/7
20	L110-9302	2028	987	2,5	3/7
21	L93-4051	827	51	15	1/7
22	L93-4052	979	51	15	1/7
23	dr-821	821	30	15	4/7
24	dr-975	975	30	15	4/7
25	w136\5	2050	37		7/7
26	w136\9	2050	16		7/7
27	w249\1	2668	51		7/7
28	w250\1	2664	32		7/7

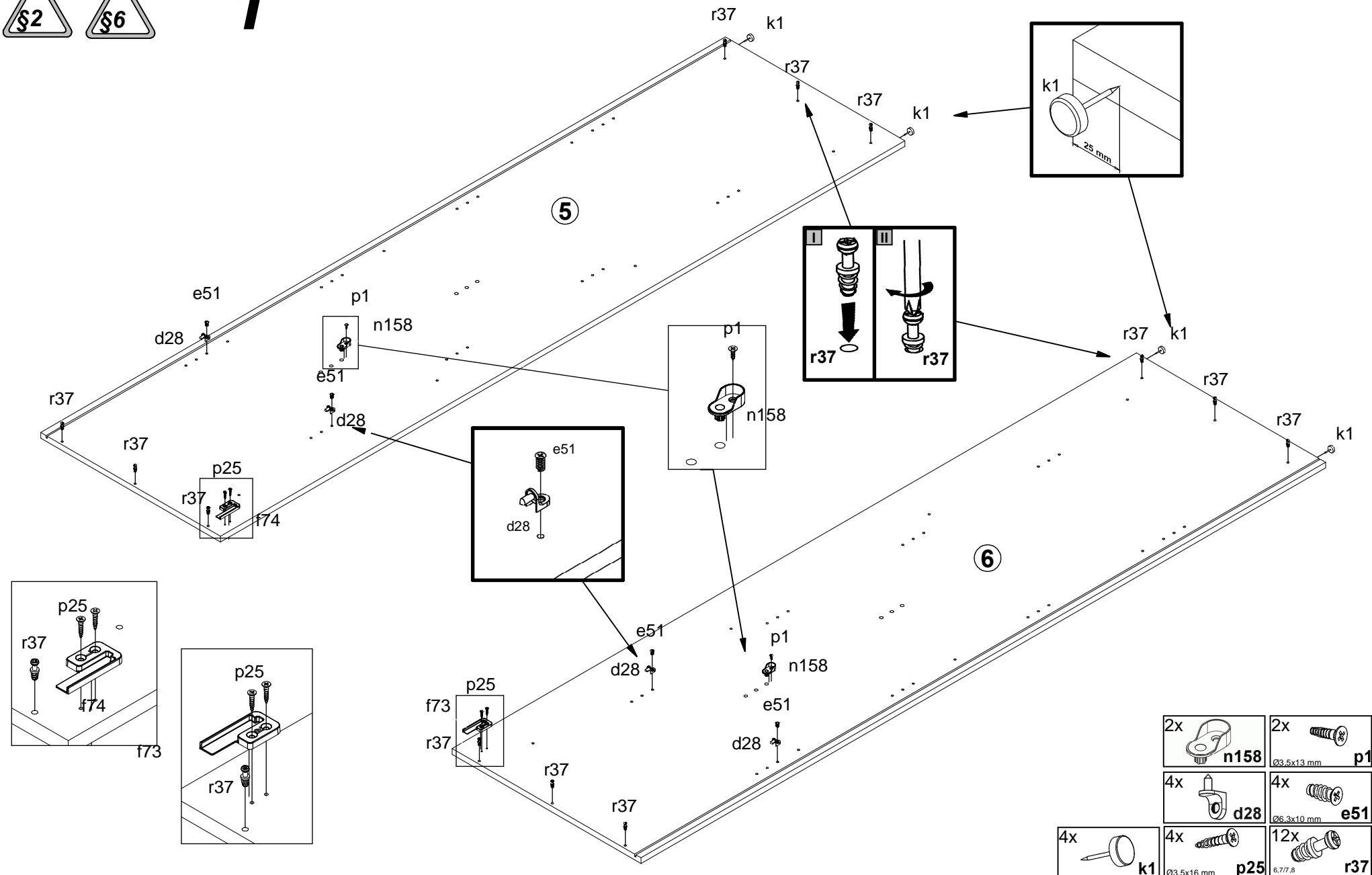




18x d20	12x d28	24x Ø6.3x13 mm e5	18x Ø6.3x10 mm e50	12x Ø6.3x10 mm e51	4x s113	2x Ø10x50 mm f35	36x Ø20x12 mm #16 r36	2x M6x20 mm j196	3x k75\4	20x k1	2x 88x21x15\1.6 n14\2	8x l63
1x z1	6x n218	3x w180\1	12x Ø7x50 mm e1	36x n180	4x Ø3.5x16 mm p38	336x Ø3.5x12mm p140	36x 6.7\7.8 r37	3x Ø12x4 mm s41	12x s1	10x M4x5 mm j84	10x j140	10x M4x10 mm j106
14x Ø3.5x16 mm p25	2x Ø5x60 mm p17	3x sp-2050-12	1x 5 mm z17	6x n158	6x Ø3.5x13 mm p1	3x Ø25-M10x13 mm k75\2						



1

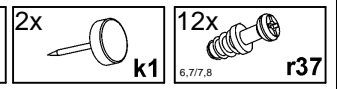
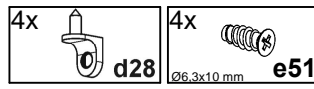
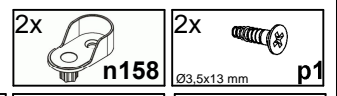
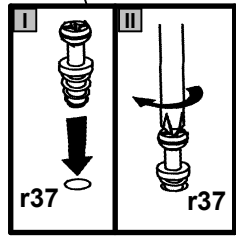
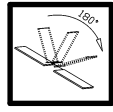
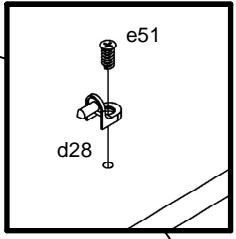
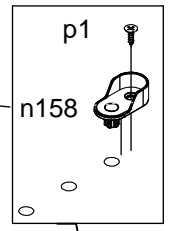
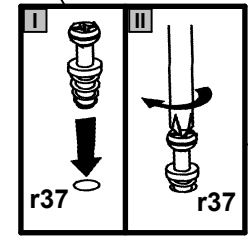
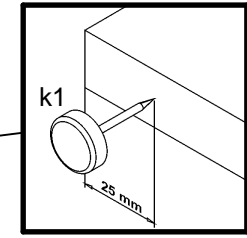
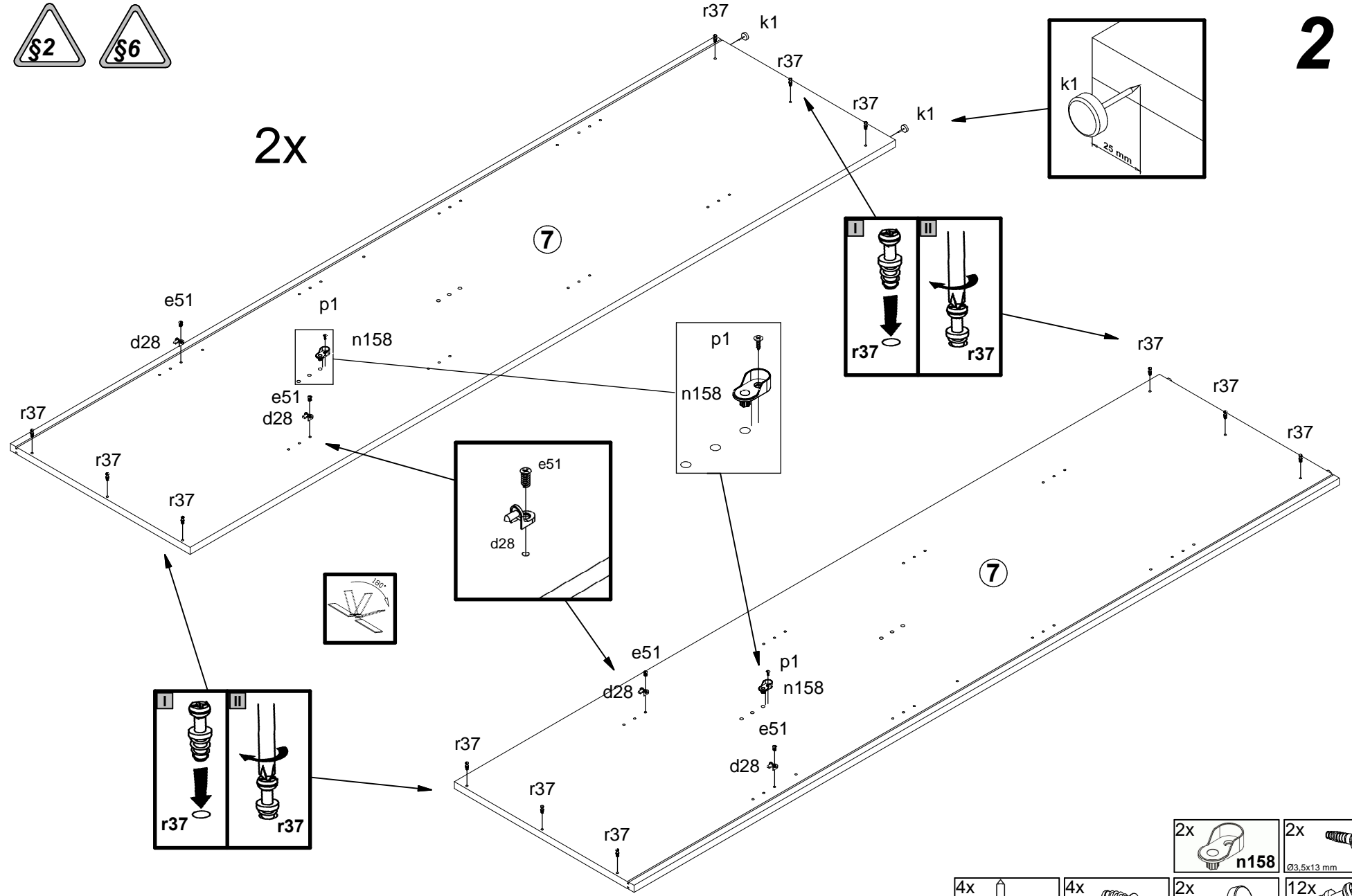


2x		2x	
	n158		Ø3,5x13 mm p1
4x		4x	
	d28		Ø6,3x10 mm e51
4x		4x	
	k1		Ø3,5x16 mm p25
12x			6,7/7,8 r37



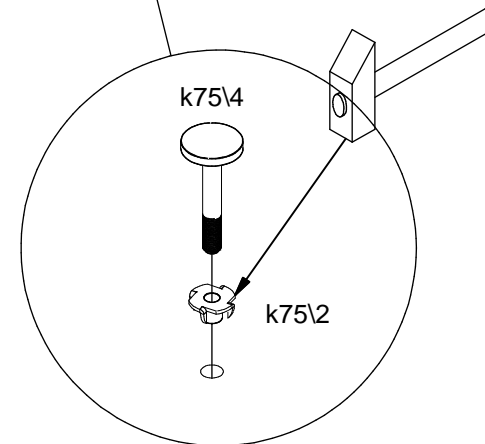
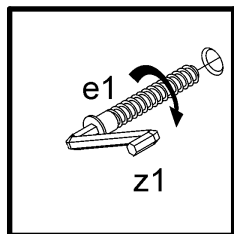
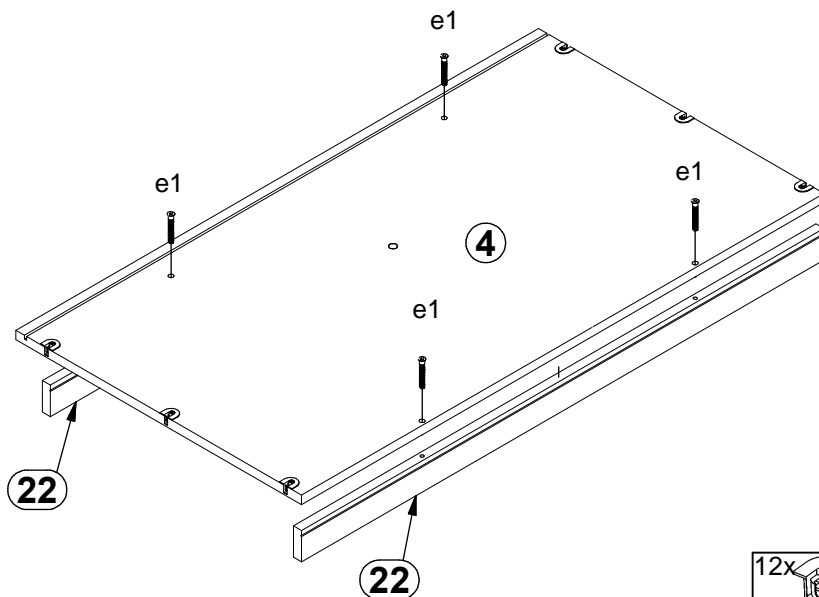
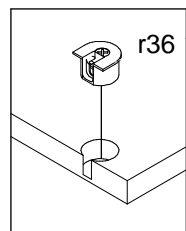
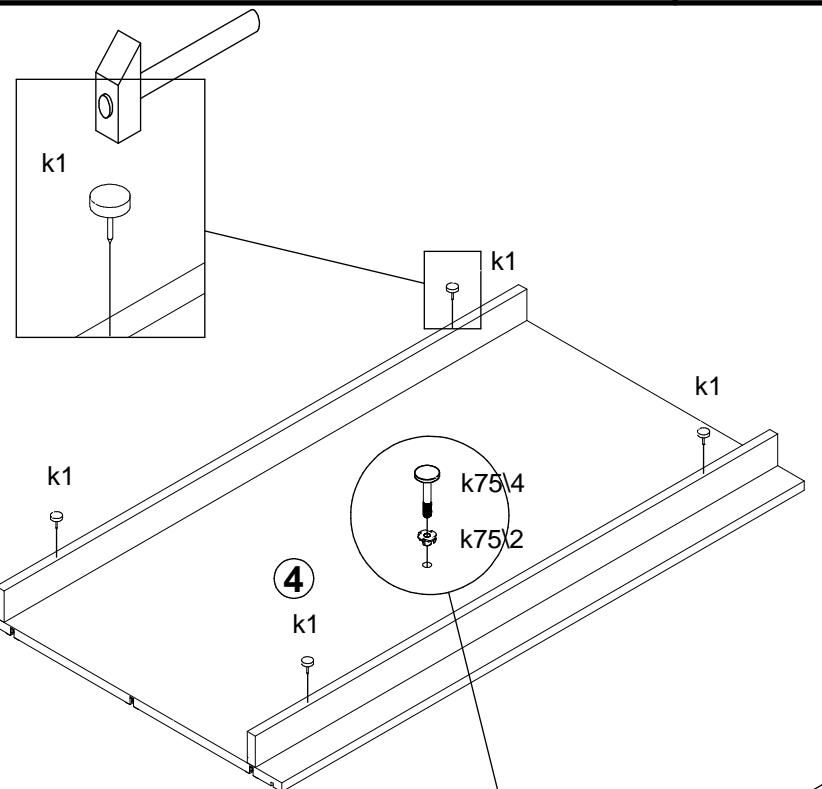
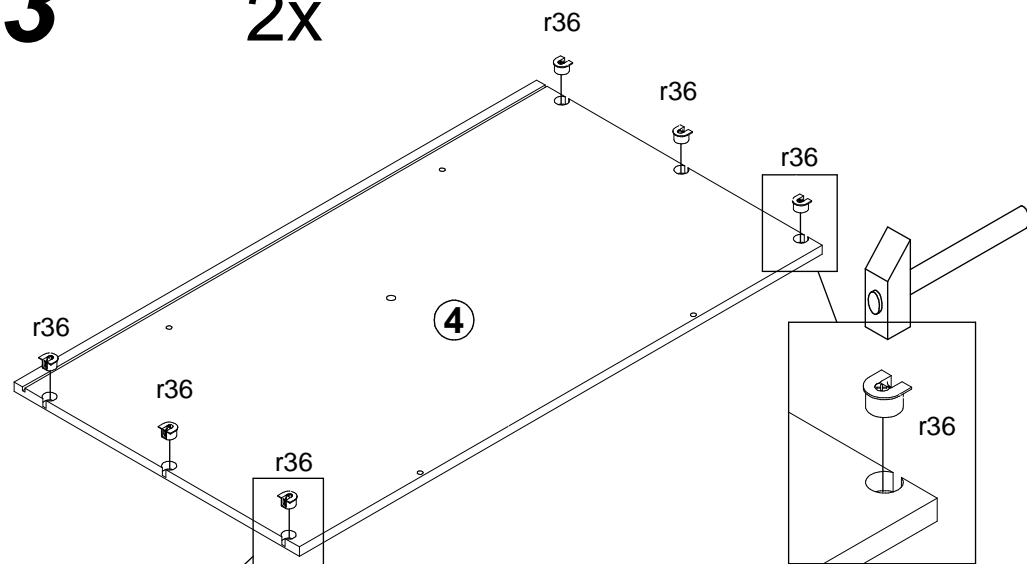
2x

2

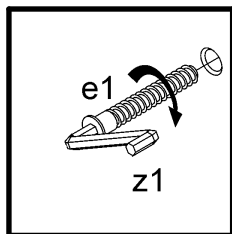
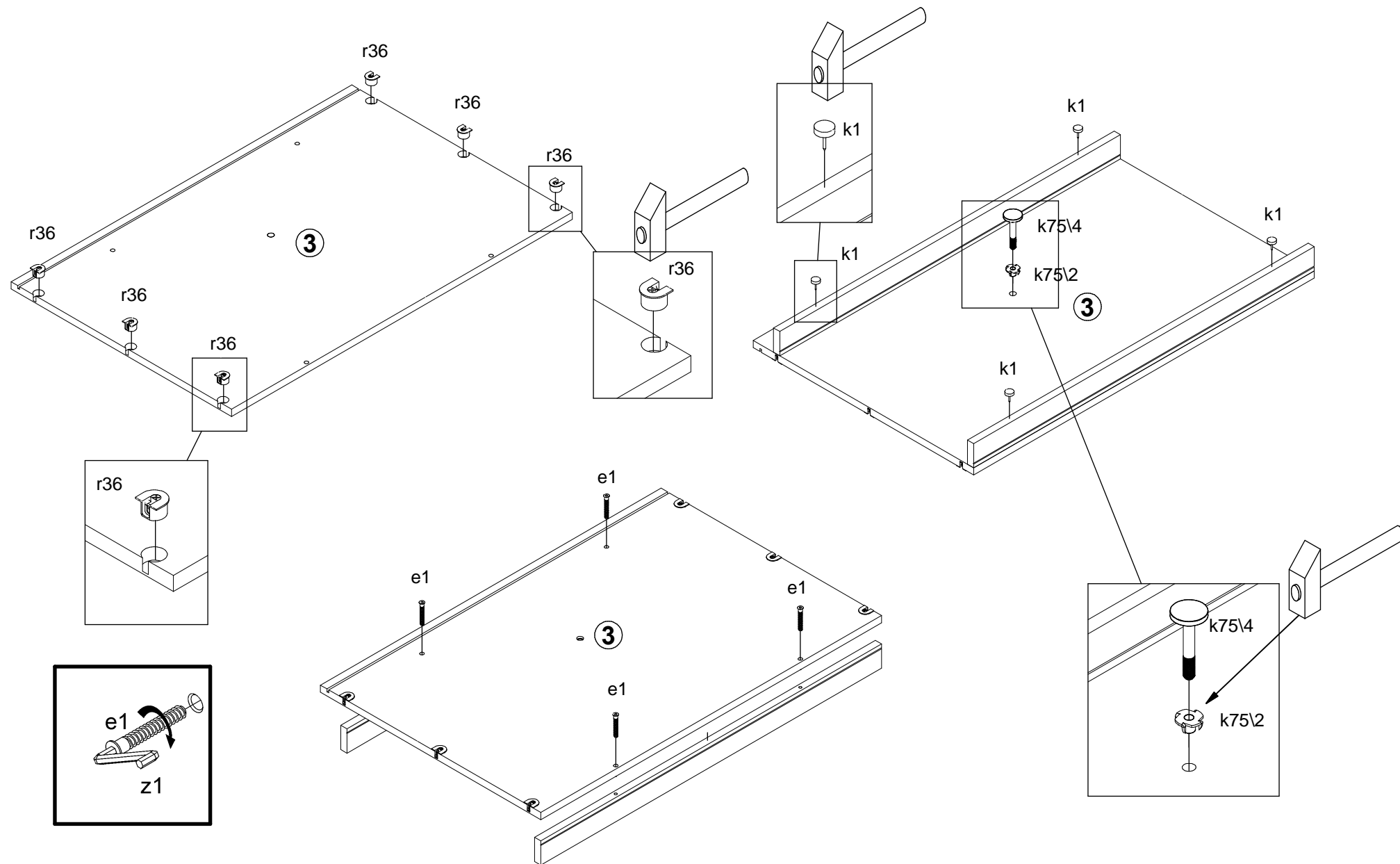







3

2x

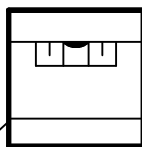


- 12x r36
- 8x e1
- 2x k75
- 8x k1
- 2x k75

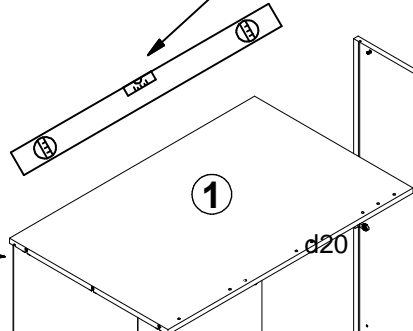


- | | | | | |
|---|---|--|---|--|
| 4x

k1 | 4x

Ø7x50 mm
e1 | 3x

Ø25x10x13 mm
k75/2 | 6x

Ø20x12 mm #16
r36 | 1x

k75/4 |
|---|---|--|---|--|

4



5



1

19

d20

d20

d20

d20

d20

d20

7

d20

d20

d20

d20

d20

r36

r36

r36

r36

r36

r36

6

r37

r37

r37

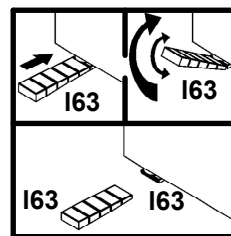
r37

r37

r37

r37

r37

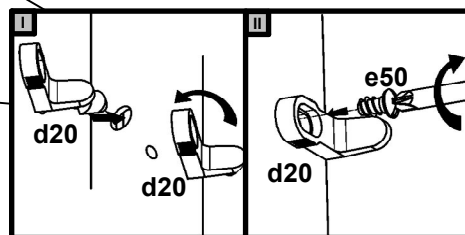


I63

I63

I63

I63



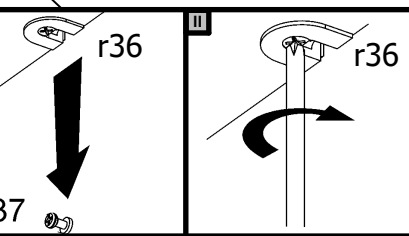
d20

d20

d20

e50

d20



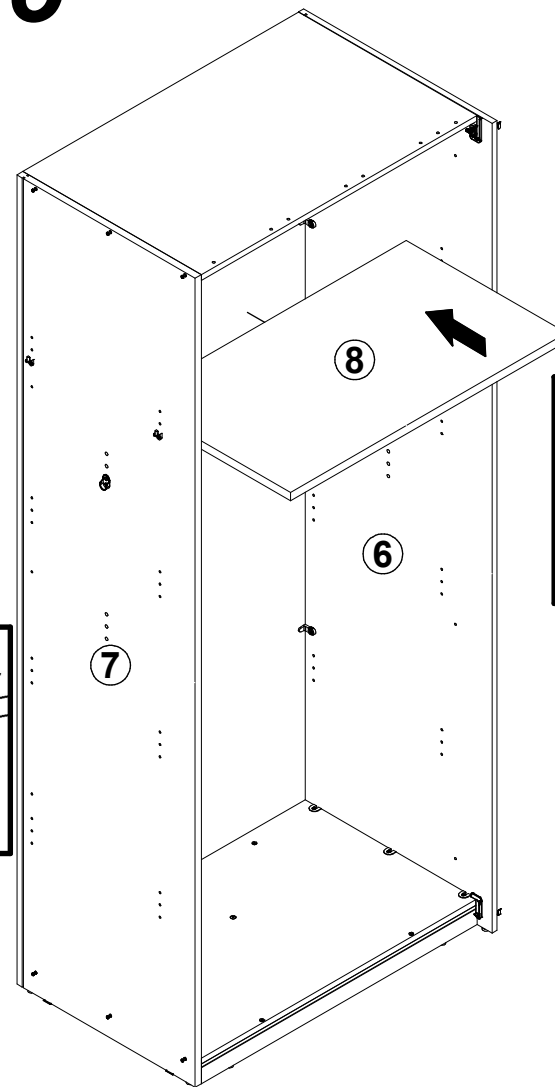
r36

r36

r37

r37

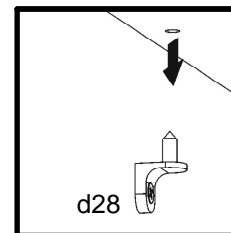
r37



8

6

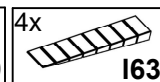
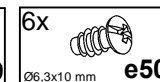
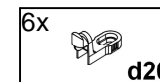
7

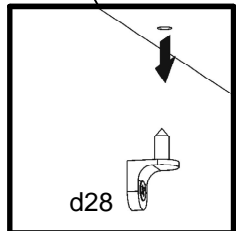
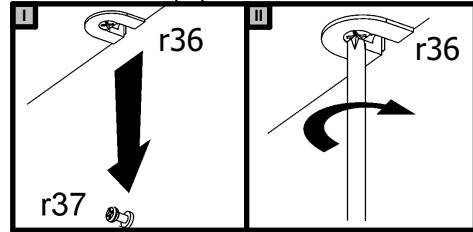
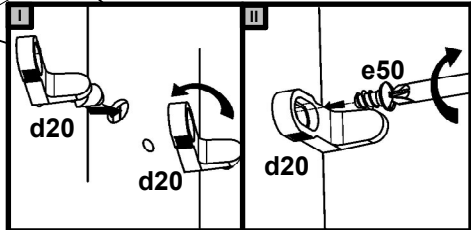
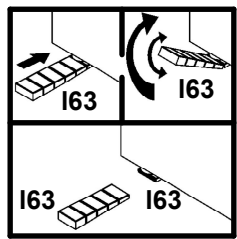
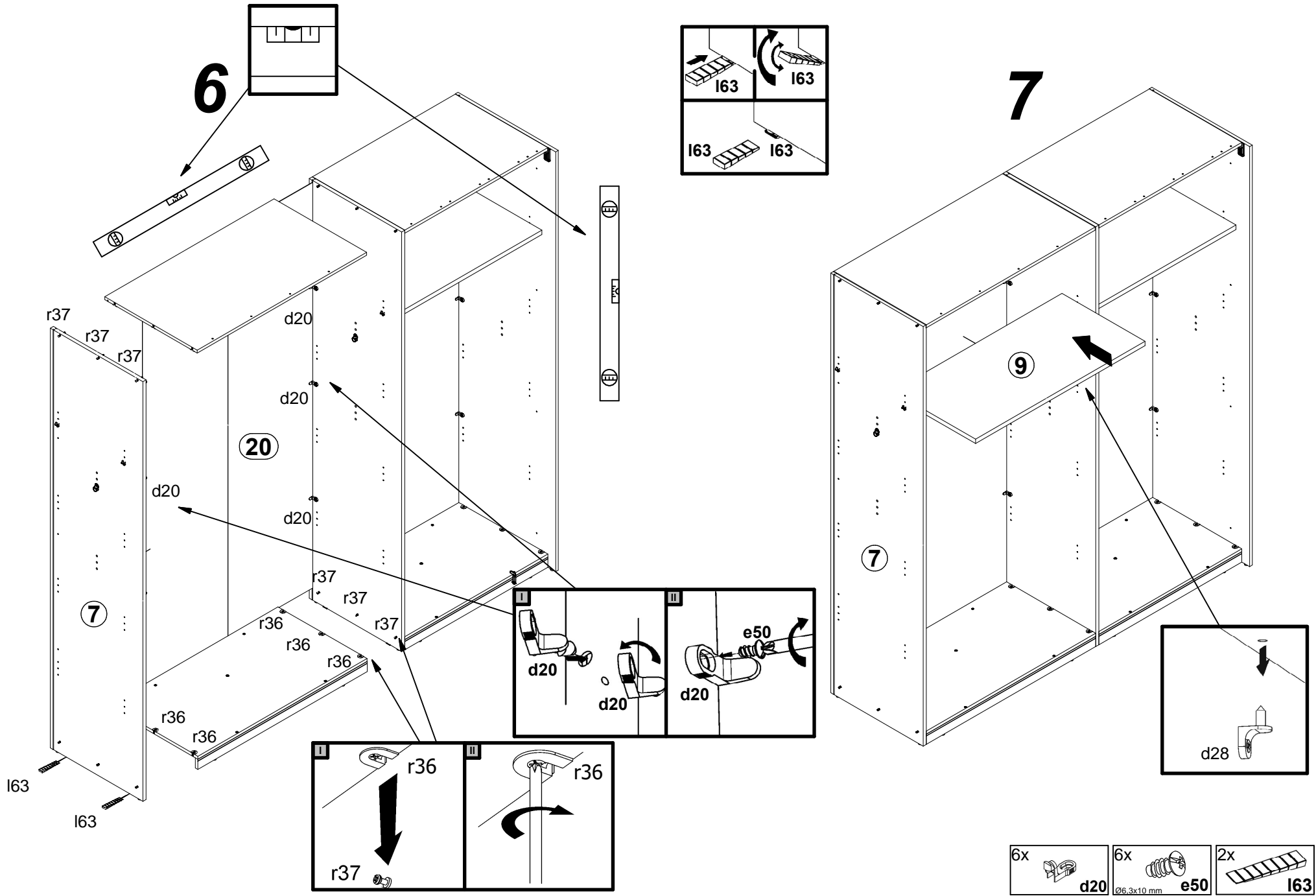



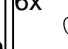

d28

I63

I63

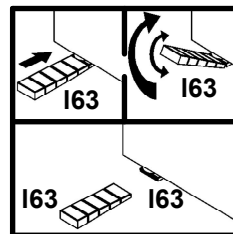
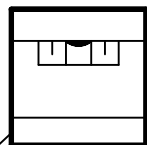




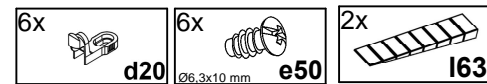
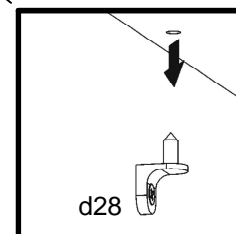
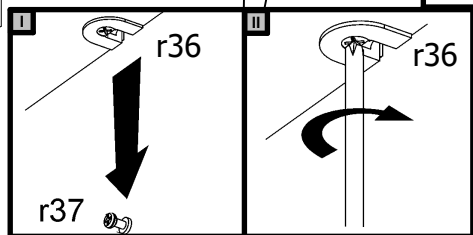
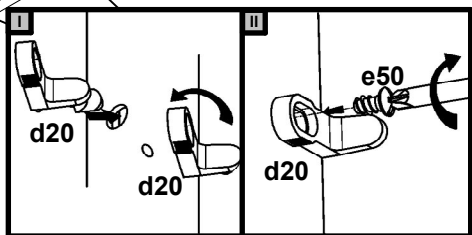
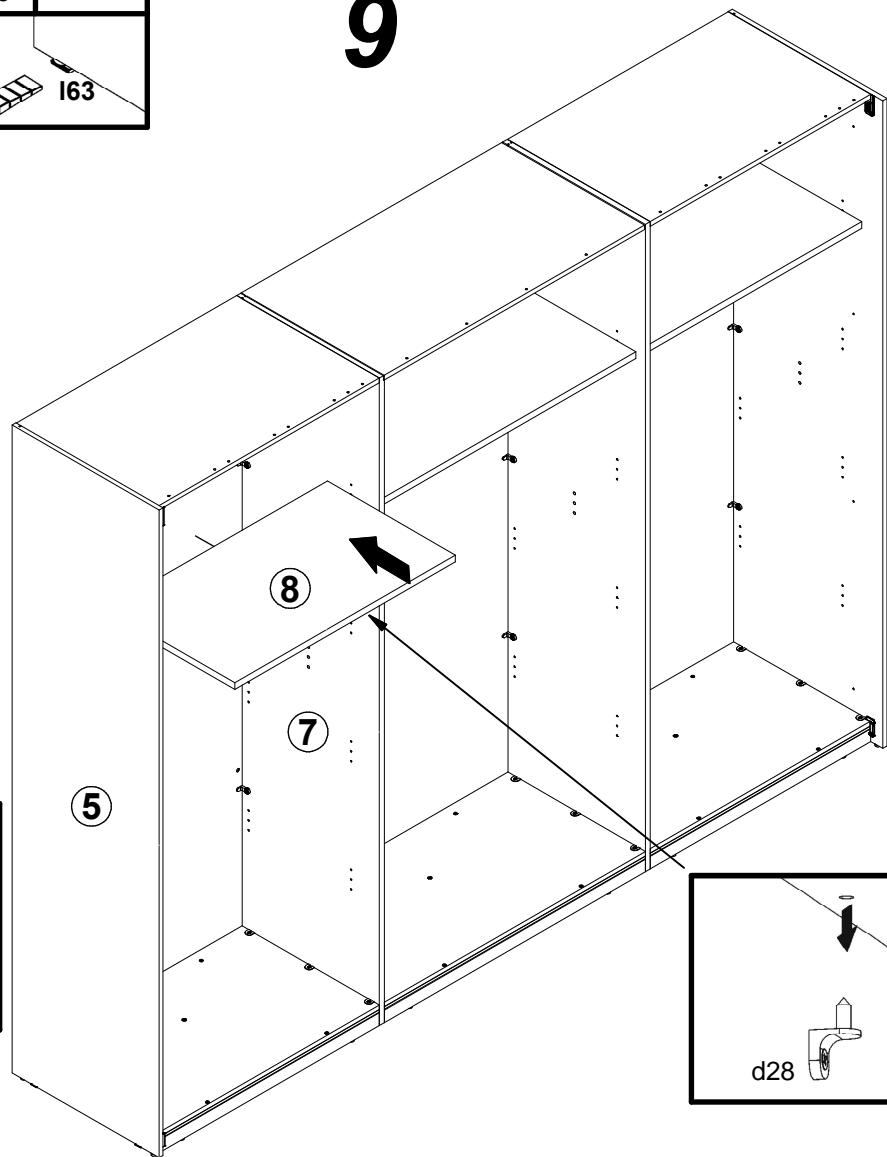
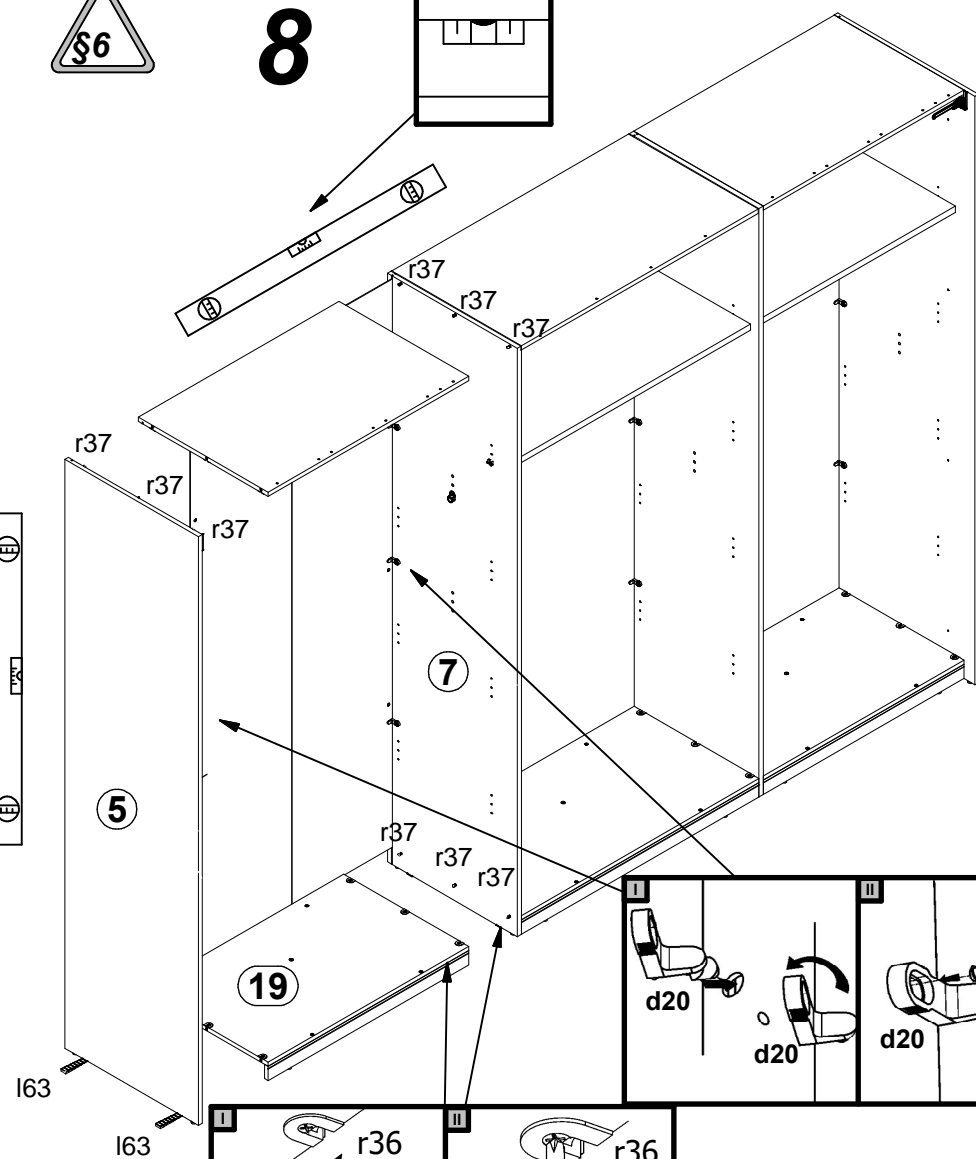
- 6x

d20
- 6x

Ø6,3x10 mm e50
- 2x

I63



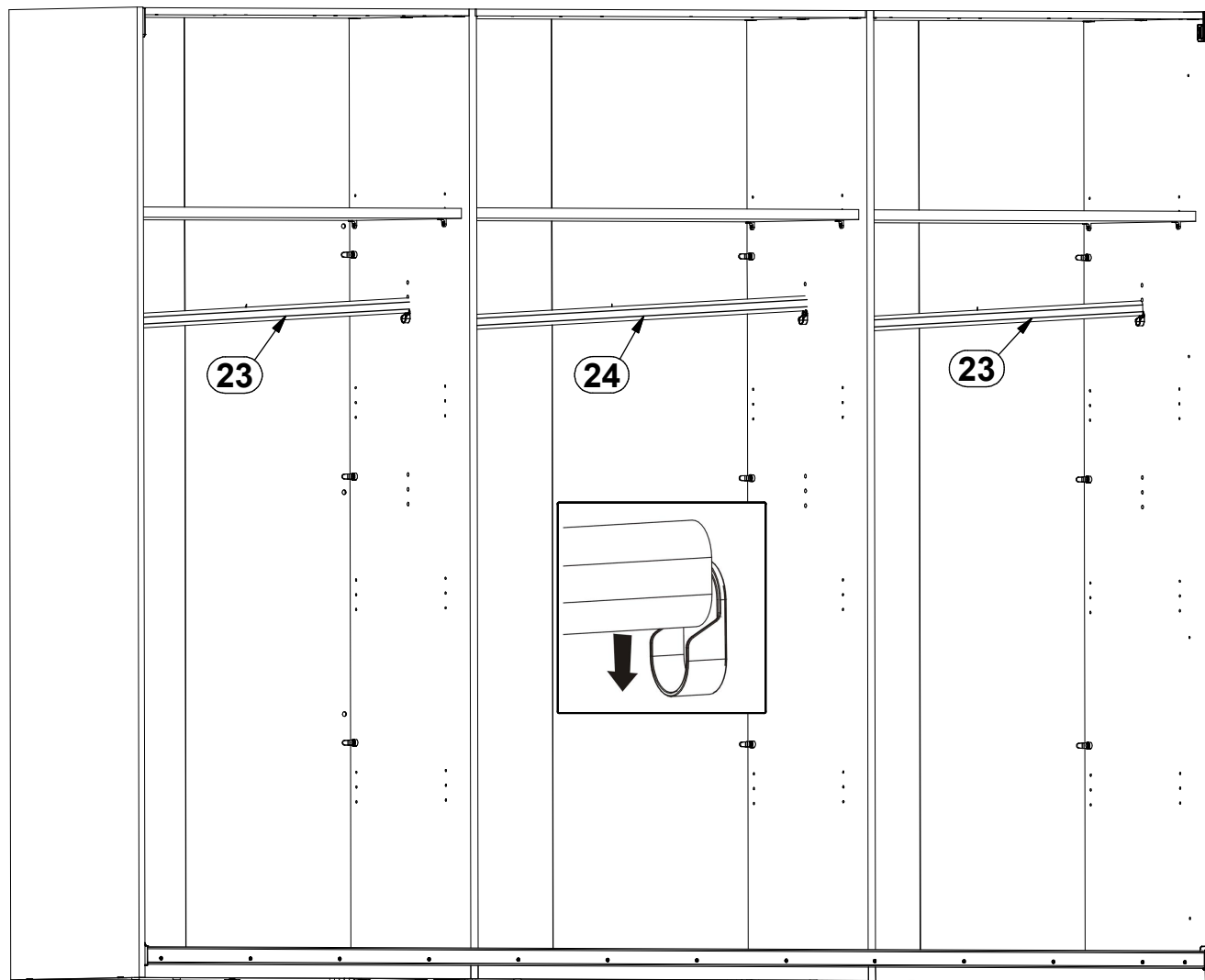
8

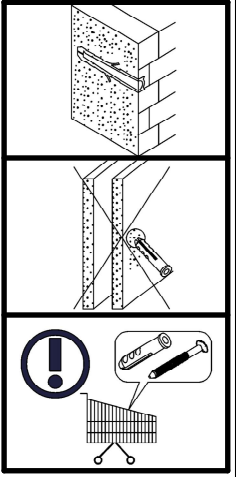
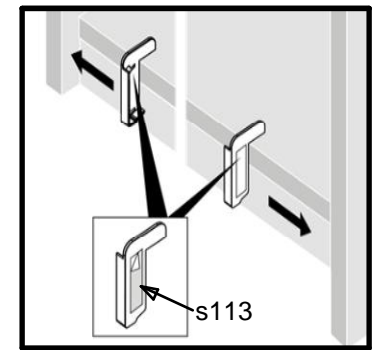
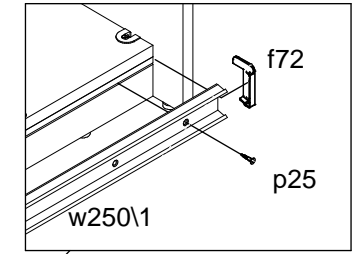
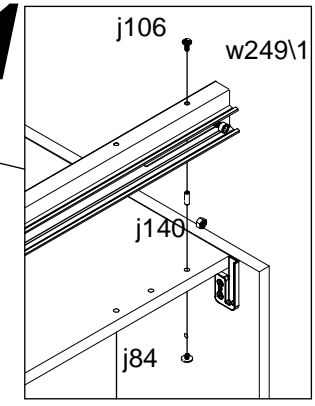
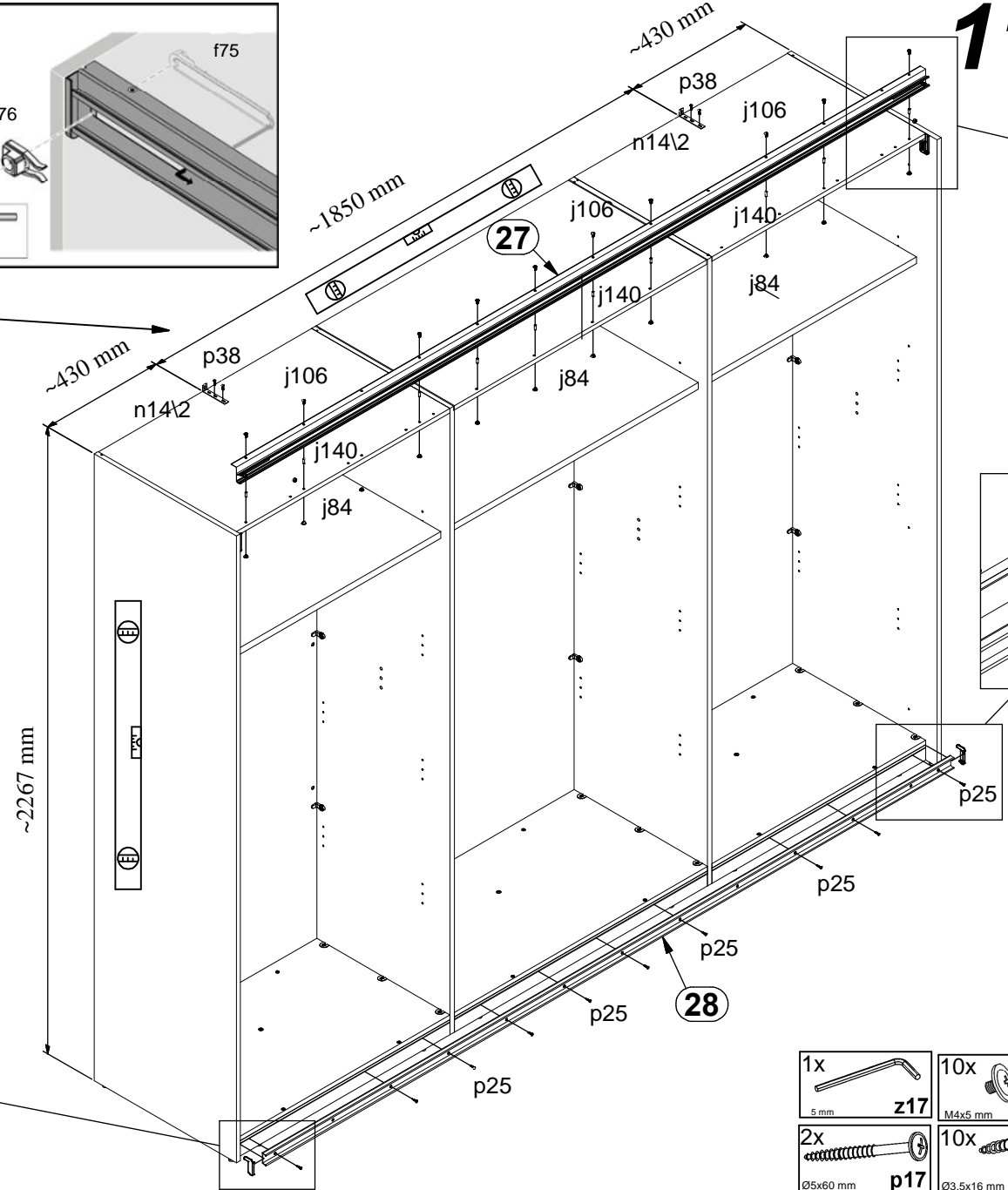
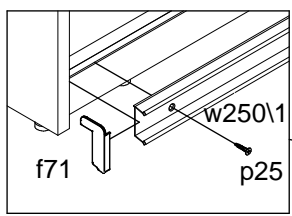
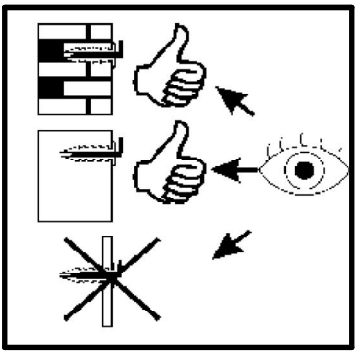
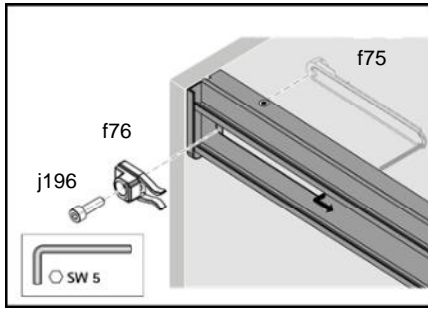
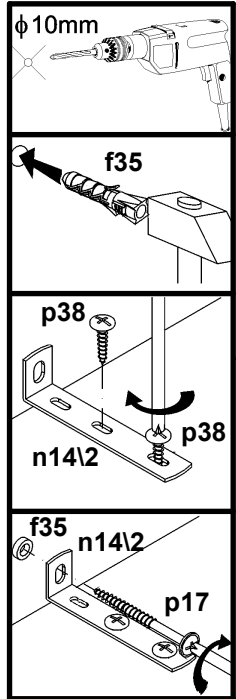


9

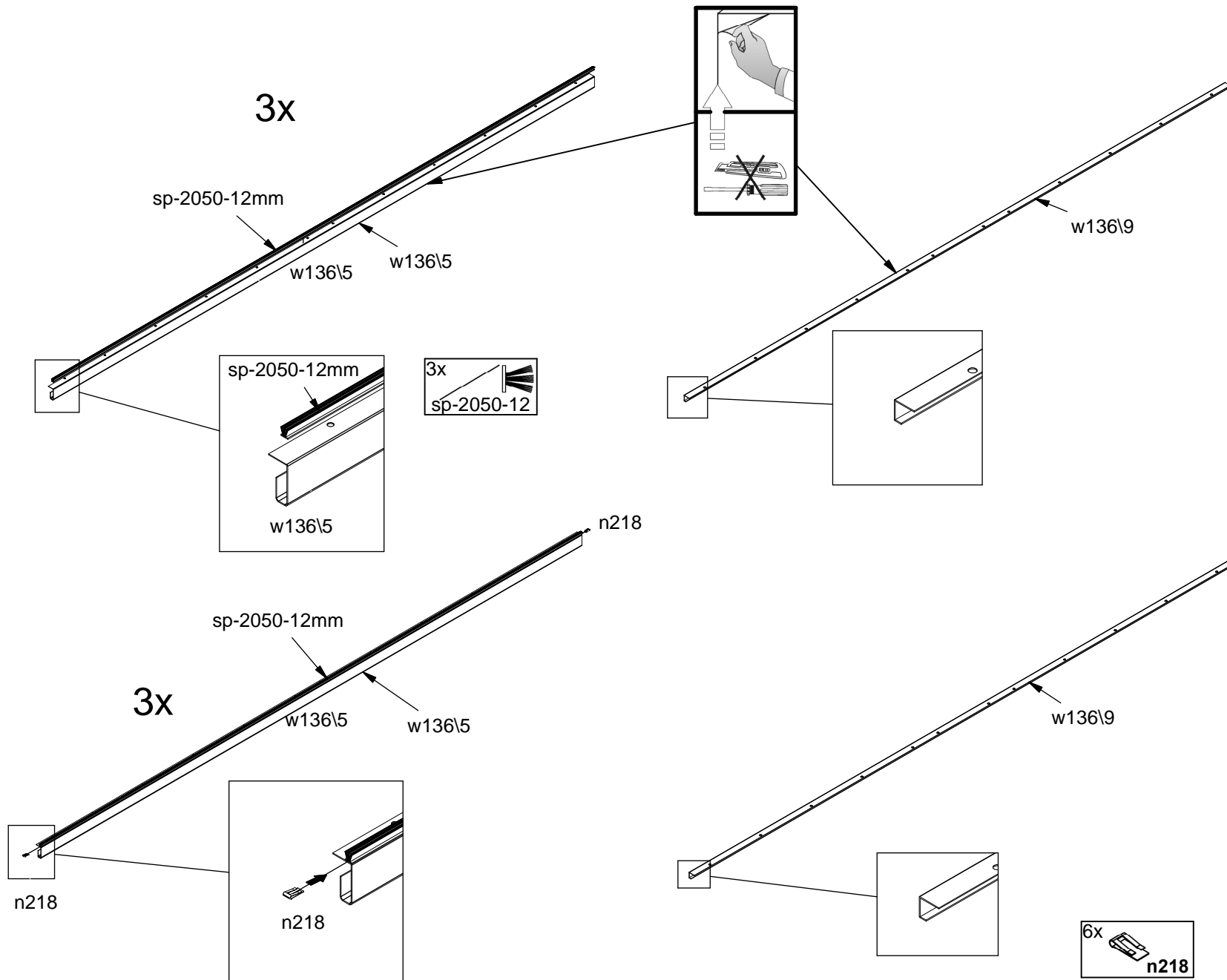


10



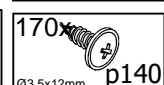
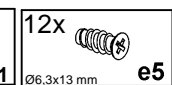
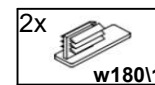
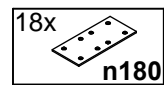
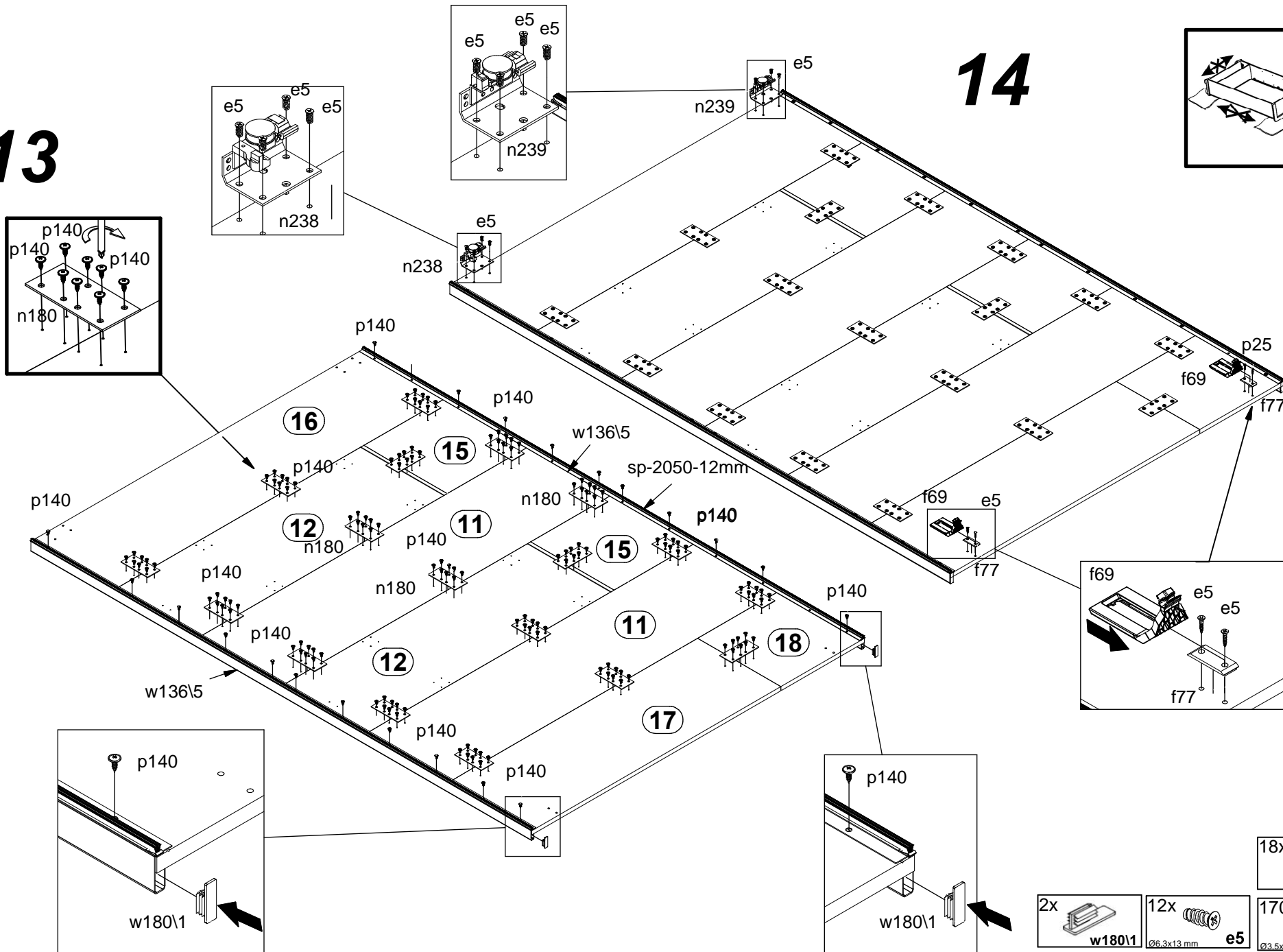
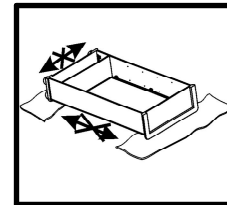


1x 5 mm z17	10x M4x5 mm j84	10x j140	10x M4x10 mm j106	4x s113
2x Ø5x60 mm p17	10x Ø3.5x16 mm p25	4x Ø3.5x16 mm p38	2x Ø10x50 mm f35	2x 88x21x15/1.5 n142



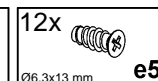
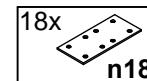
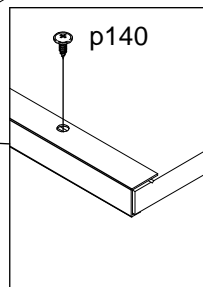
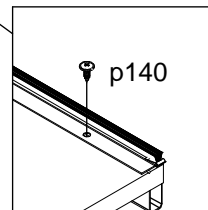
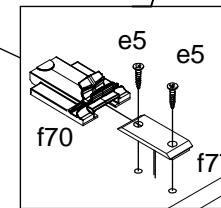
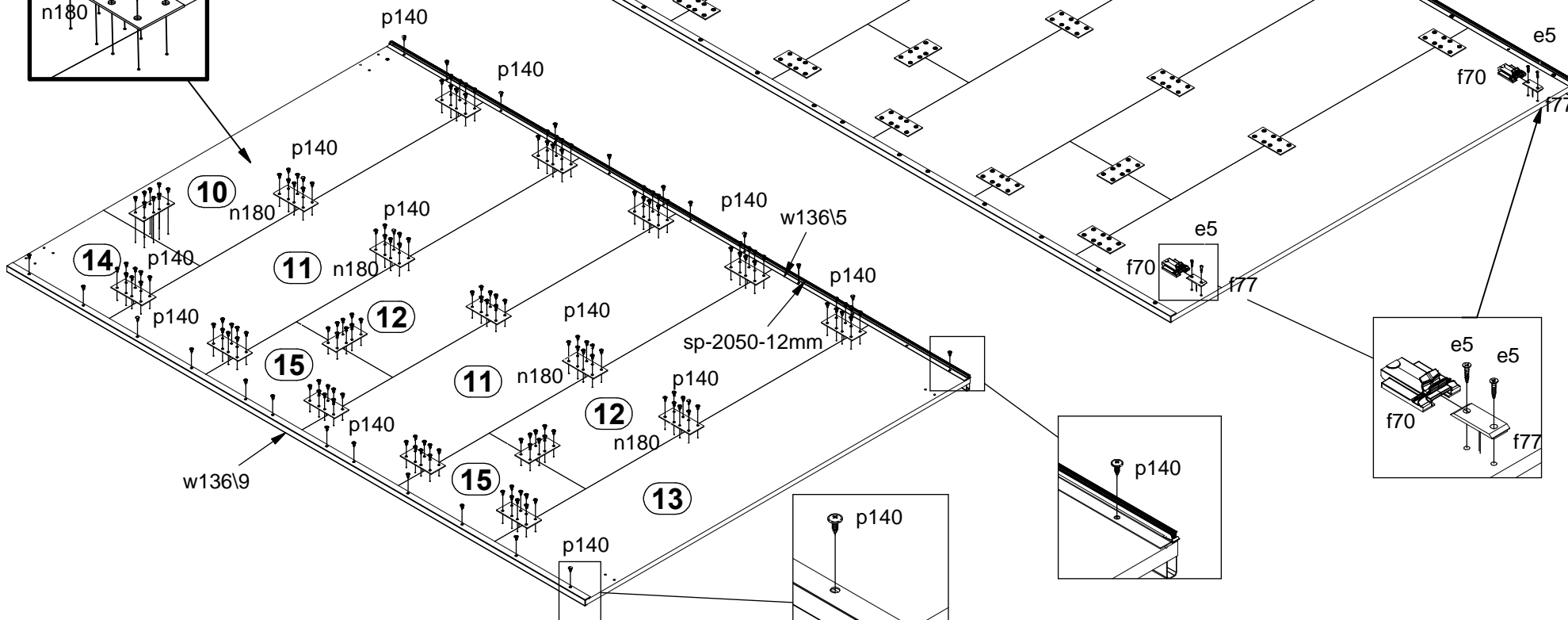
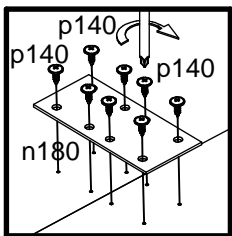
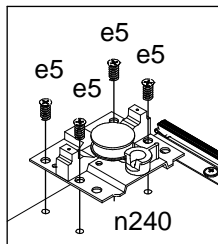
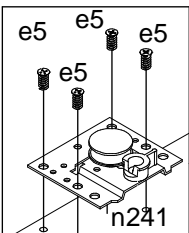
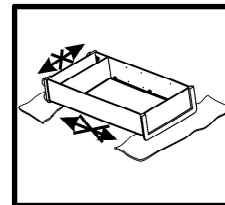
14

13

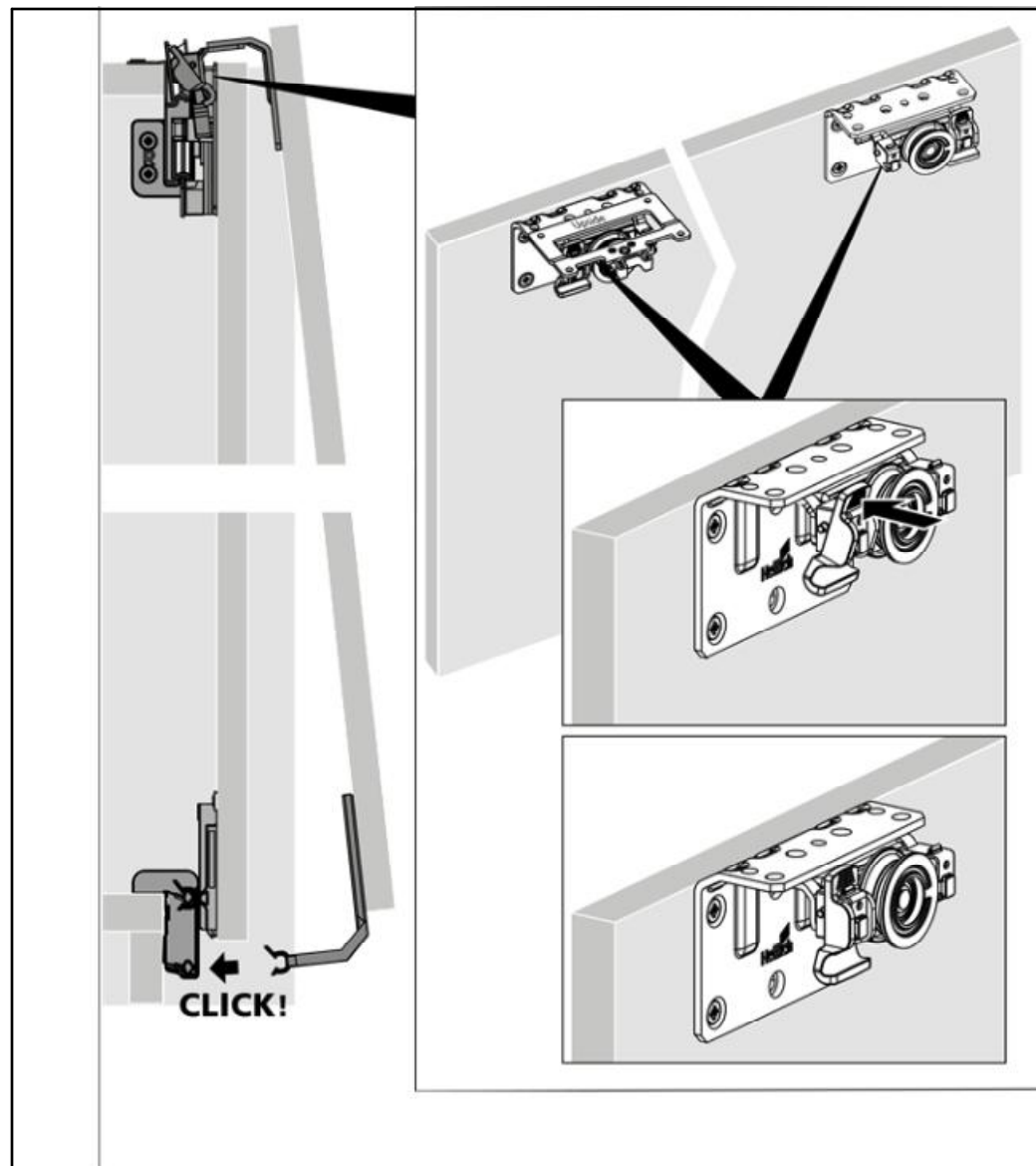
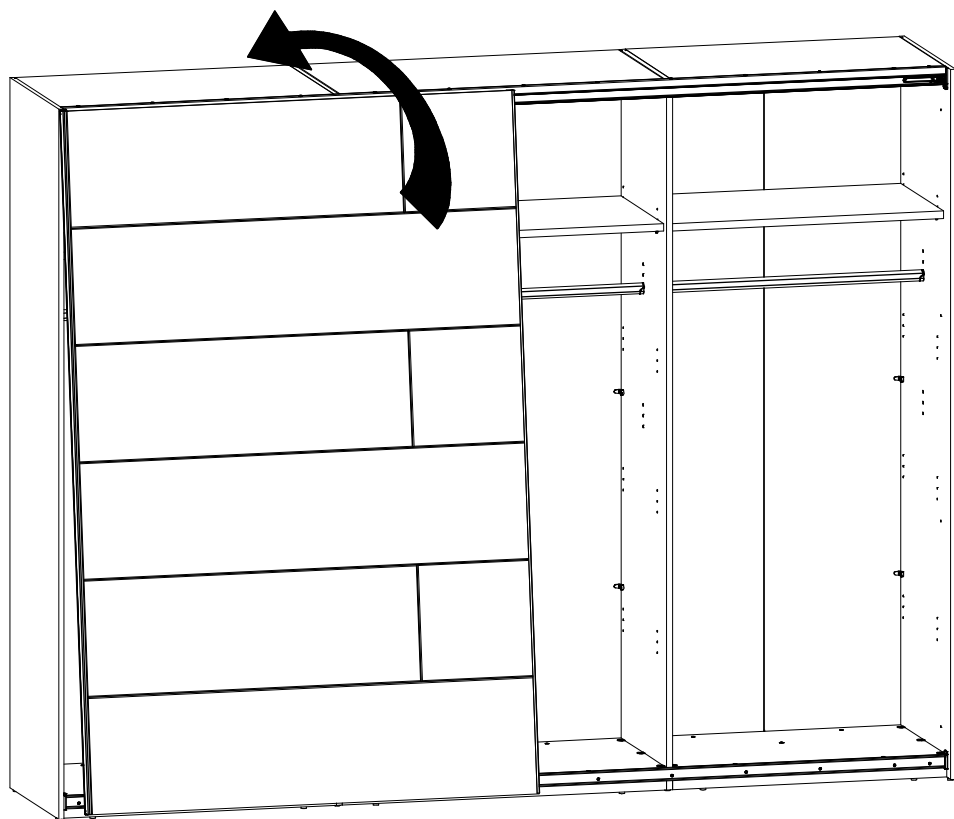


15

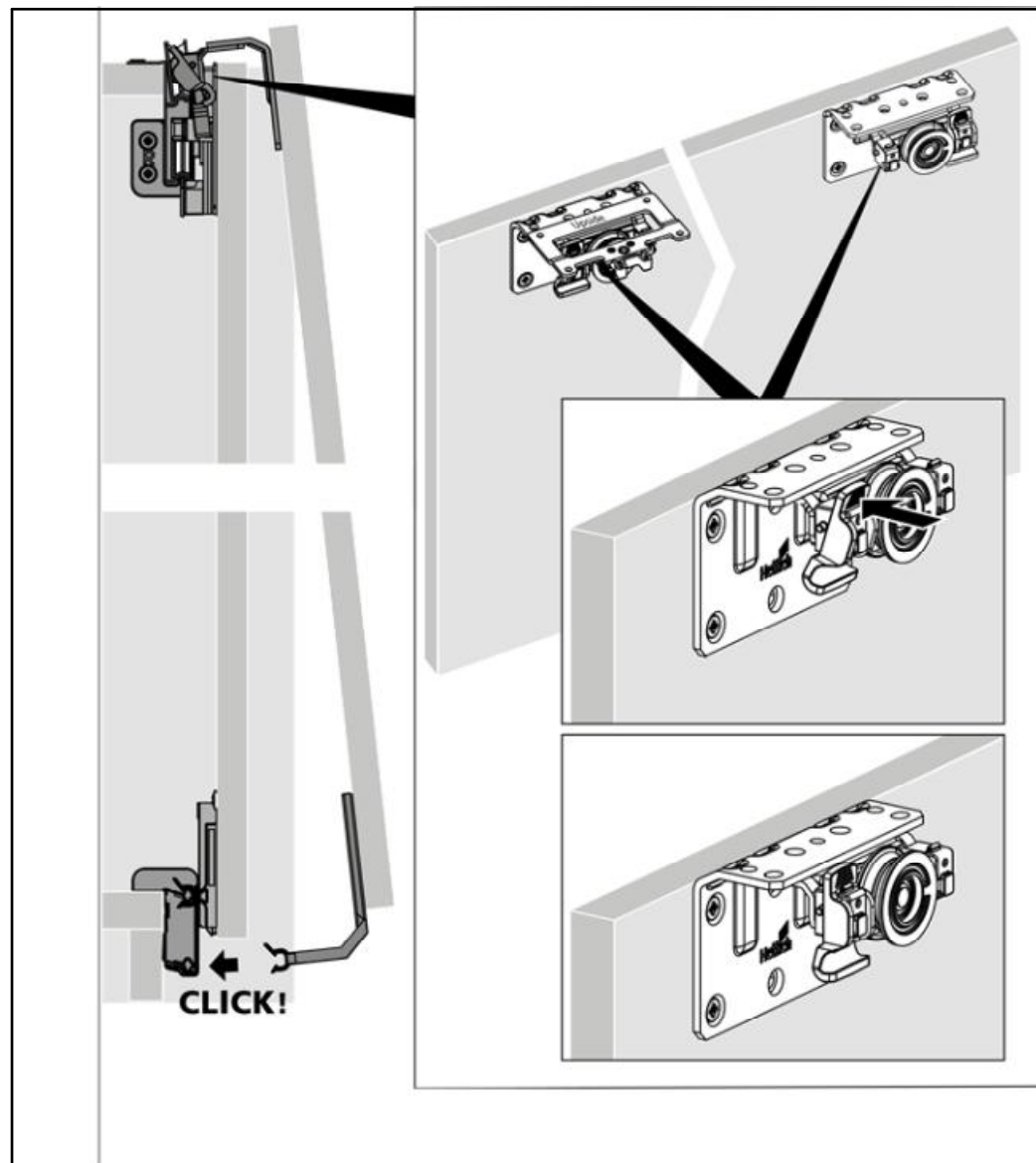
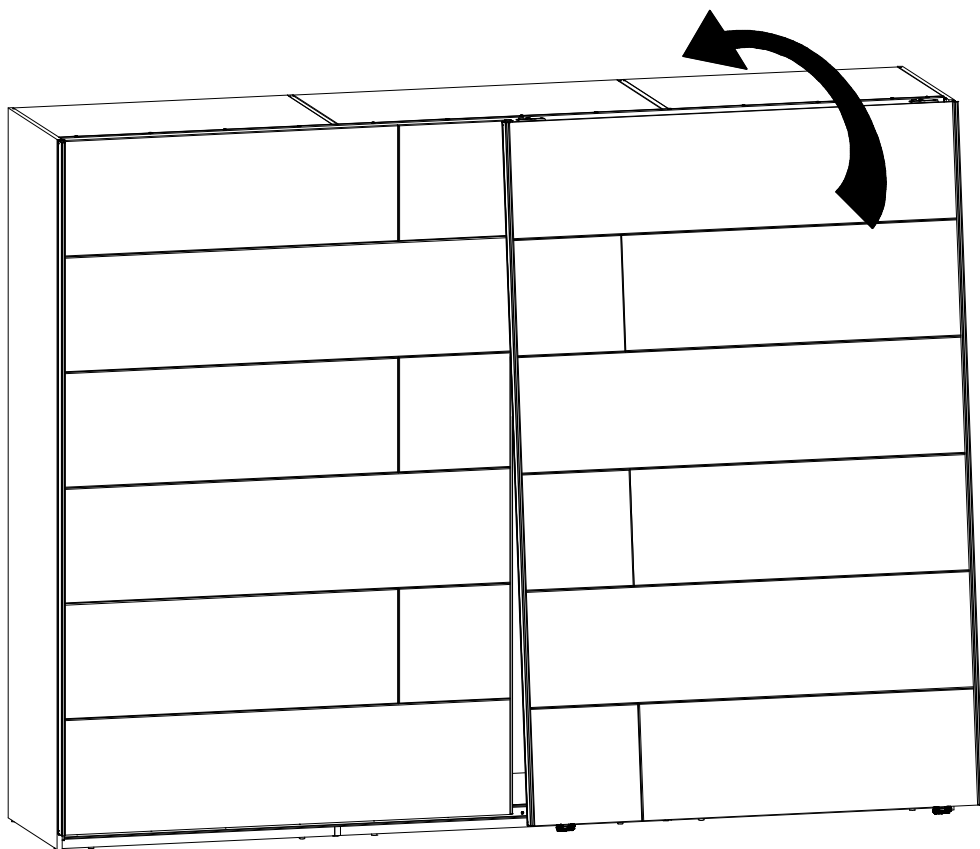
16



17



18



19

