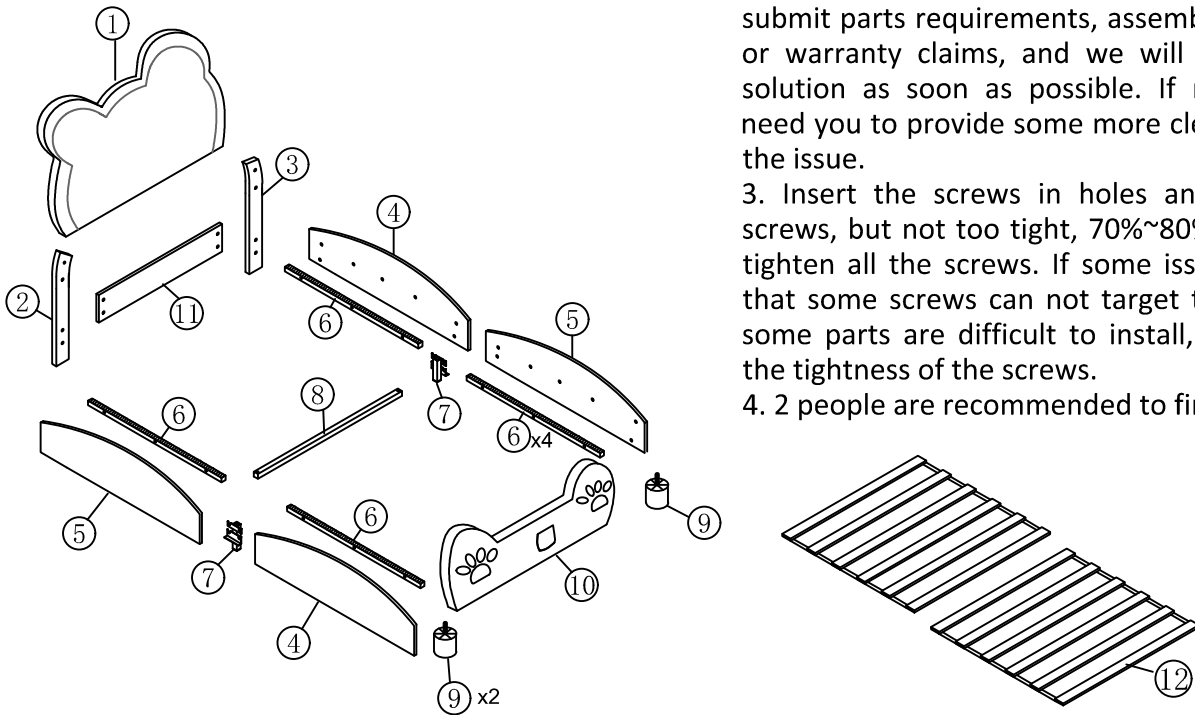
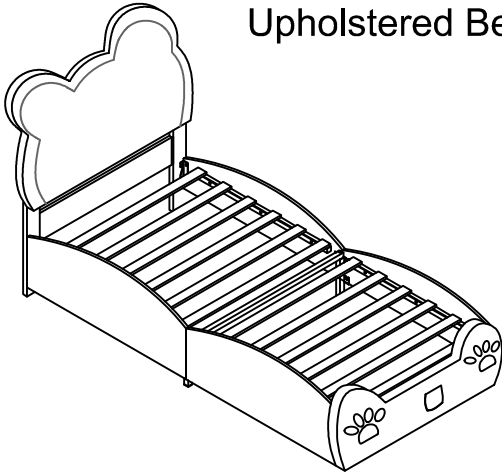


# ASSEMBLY INSTRUCTION

Item Number: WF319569/WF324881

Upholstered Bed: 90x200








## TIPS

1. This product is divided into 2 parcels for delivery. They may not arrive at the same time. Please wait patiently.

2. Please read the instructions fully before assembly. These instructions include important information which could ensure correct assembly. We have been working on providing high quality products for you. However, in the rare instance that your product is defective, missing parts or there are some issues, please don't hesitate to contact our customer service to submit parts requirements, assembly suggestion, or warranty claims, and we will give the best solution as soon as possible. If necessary, we need you to provide some more clear pictures of the issue.




3. Insert the screws in holes and tighten the screws, but not too tight, 70%~80% is ok, finally tighten all the screws. If some issues happened that some screws can not target to the hole or some parts are difficult to install, please adjust the tightness of the screws.

4. 2 people are recommended to finish

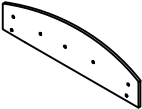
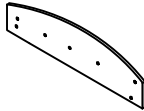
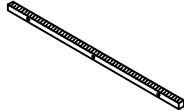

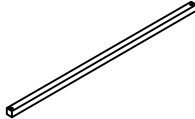
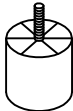
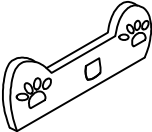
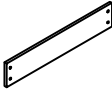
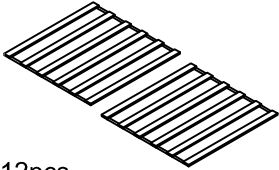
Parts List			Hardware List		
NO	ITEM	QTY	NO	ITEM	QTY
1	Head board	1	A	Allen Key 	1
2	Head board leg	1	B	Bolts (M8x40mm) 	18
3	Head board leg	1	C	Bolts (M8x18mm) 	32
4	Siderails	2	D	Hinge 	4
5	Siderails	2	E	Four hole iron 	2
6	Side rails support bar	4			
7	Side rails support legs	2			
8	Cross bar	1			
9	Legs	2			
10	Foot board	1			
11	Cross board	1			
12	Slats	12			

# Part List

WF319569

<b>1</b>		<b>2</b>		<b>3</b>	
Head board-1pc		Head board leg-1pc		Head board leg-1pc	

# Hardware List+WF324881

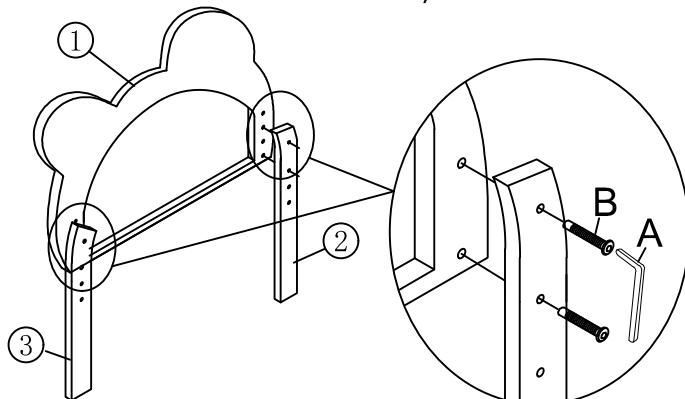
<b>4</b>		<b>5</b>		<b>6</b>	
Siderails-2pcs		Siderails-2pcs		Side rails support bar-4pcs	
<b>7</b>		<b>8</b>		<b>9</b>	
Side rails support legs-2pcs		Cross bar-1pc		Bed Legs-2pcs	
<b>10</b>		<b>11</b>		<b>12</b>	
Foot board-1pc		Cross board-1pc		Slats-12pcs	



Attention: Do not tighten the screws before completing the entire installation. If you have any difficulty with the installation process, please feel free to contact us.

## Step 1

Fix the Headboard leg ② and ③ to the Headboard ① with Bolts B by using Allen key A. You can chose the hole a and c or b and d .

(Befestigen Sie die Kopfteilbeine ② und ③ mit den Schrauben B und dem Inbusschlüssel A am Kopfteil ①. Sie können die Löcher a und c oder b und d wählen.)

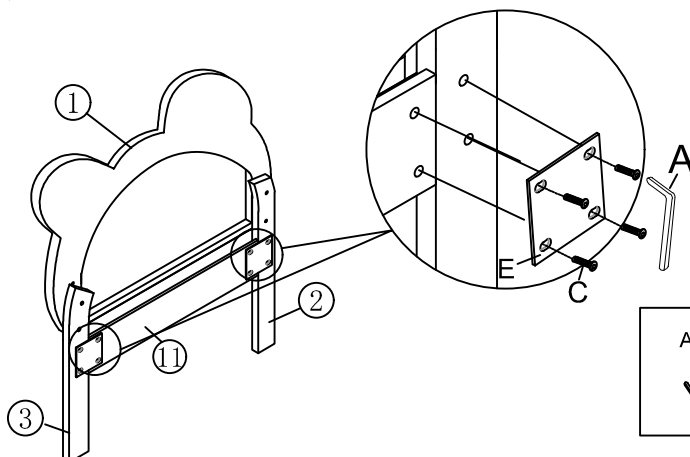




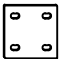
A Allen Key	B Bolts x 4 M8X40mm
	

## Step 2

Fix the Cross board ⑪ to the Head board leg ② and ③ with Four hole iron E and Bolts B by using Allen key A .

(Befestigen Sie das Cross Board ⑪ am Head Board Bein ② und ③ mit Vierloch Eisen E und Schrauben B mit Inbusschlüssel A.)

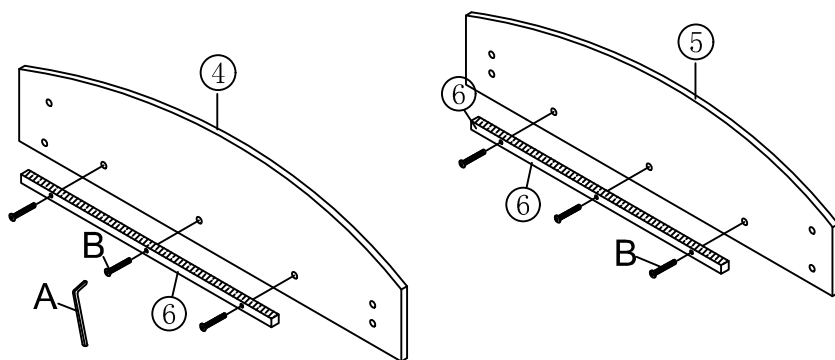




Allen Key	C Bolts x 8 M8X18mm	E Four hole iron x 2
		

## Step 3 x2

Connect Siderail support bar ⑥ to Siderails ④ and ⑤ with Bolts B by using Allen key A.

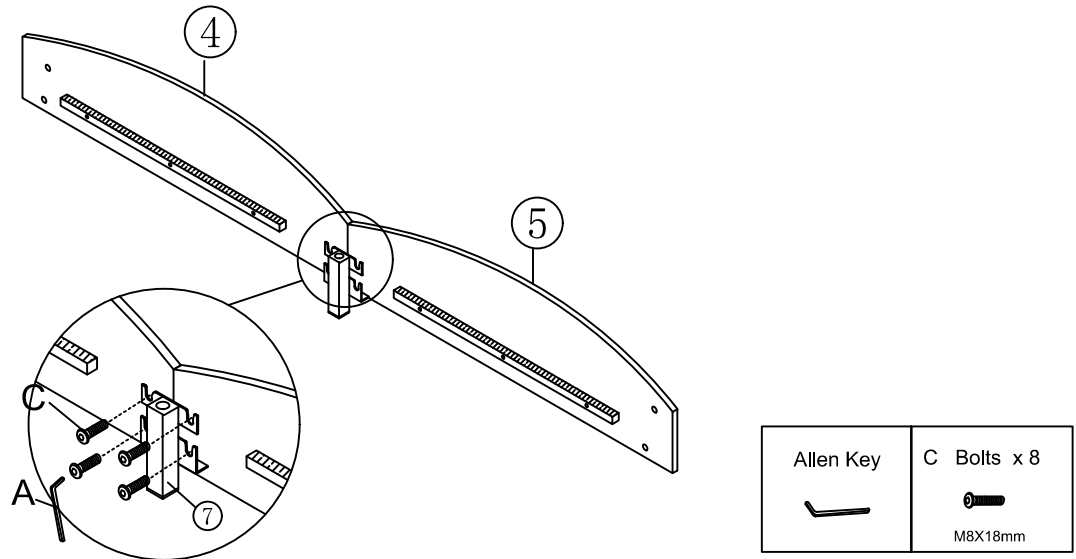
(Verbinden Sie die Seitengitter-Stützstange ⑥ mit den Schrauben B und dem Inbusschlüssel A mit den Seitengittern ④ und ⑤.)



Allen Key	B Bolts x 12 M8X40mm
	

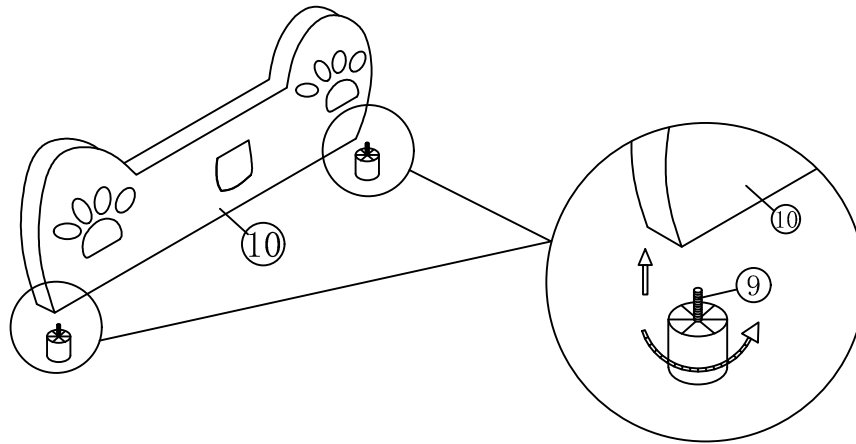
## Step 4 x2

Fix the side rails support leg (7) to the assembled side rail with Bolts C by using Allen key A.  
 (Befestigen Sie das Seitengitter-Stützbein (7) mit den Schrauben C und dem Inbusschlüssel A am montierten Seitengitter.)



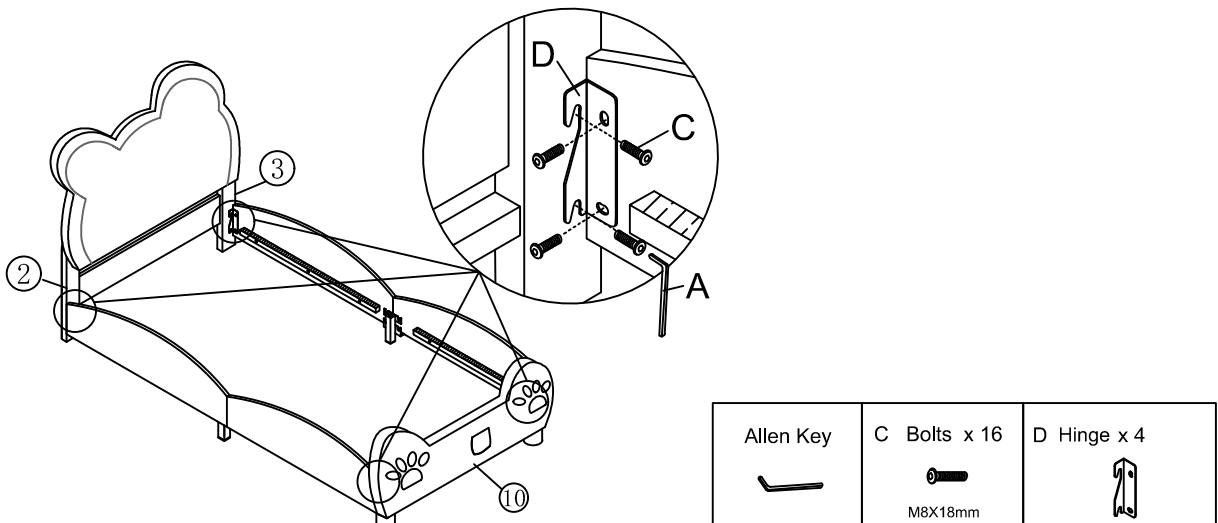
## Step 5

Fix the two legs (9) to the footboard (10).  
 (Fixieren Sie die beiden Beine (9) am Trittbrett (10).)



## Step 6

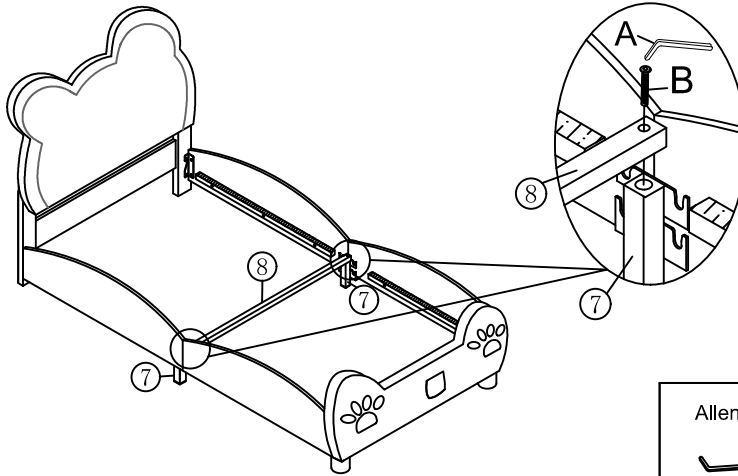
Fix the assembled side rail to the Headboard leg (2) and (3) and foot board (10) with Bolts C and Hinge D by using Allen key A.  
 (Befestigen Sie das zusammengebaute Seitengitter mit den Schrauben C und dem Scharnier D unter Verwendung des Inbusschlüssels A an den Kopfteilbeinen (2) und (3) und dem Fußteil (10).)





## Step 7

Fix the cross bar ⑧ to the side rails support legs ⑦ with Bolts B by using Allen key A.

(Befestigen Sie die Querstange ⑧ mit den Schrauben B und dem Inbusschlüssel A an den Stützbeinen der Seitenschienen ⑦.)



Allen Key 	B Bolts x 2  M8X40mm
--	---

## Step 8

Fix the slats ⑫ to the side support bar ⑥, then assemble is finished, now please tighten all hardware and enjoy the bed.

(Befestigen Sie die Lamellen ⑫ an der seitlichen Stützstange ⑥, der Zusammenbau ist abgeschlossen.)

