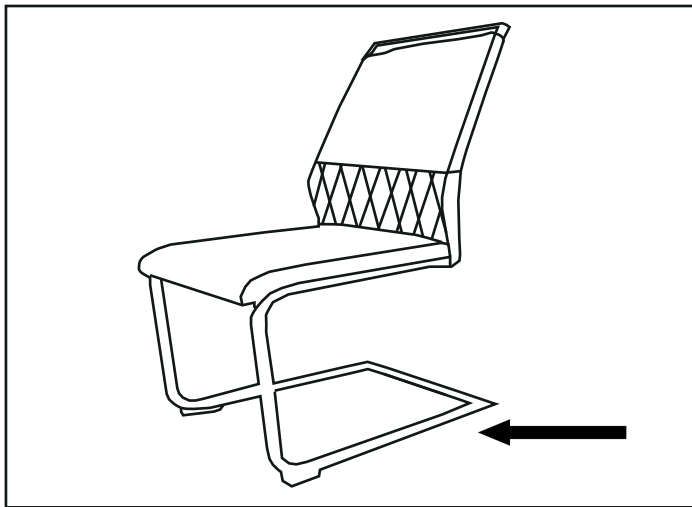
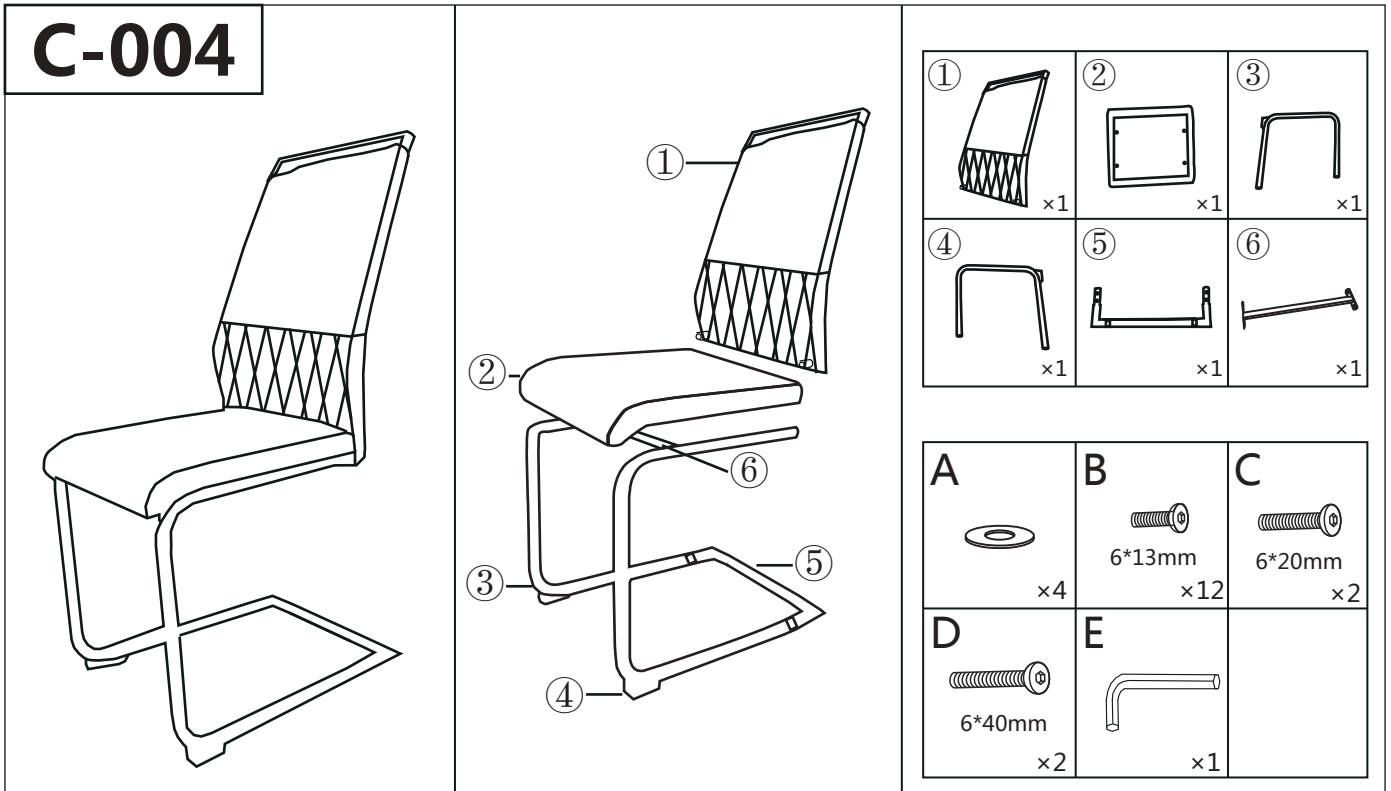


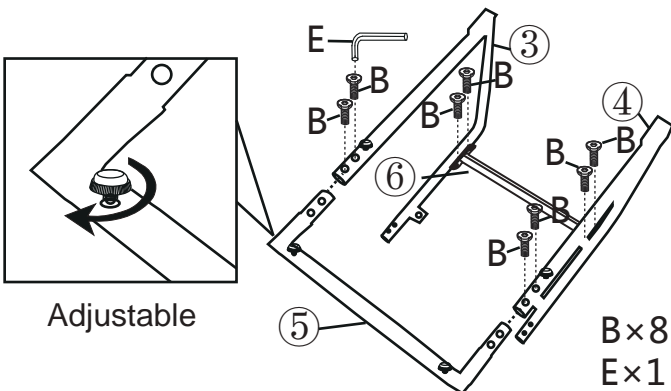
# ASSEMBLY INSTRUCTIONS

**C-004**

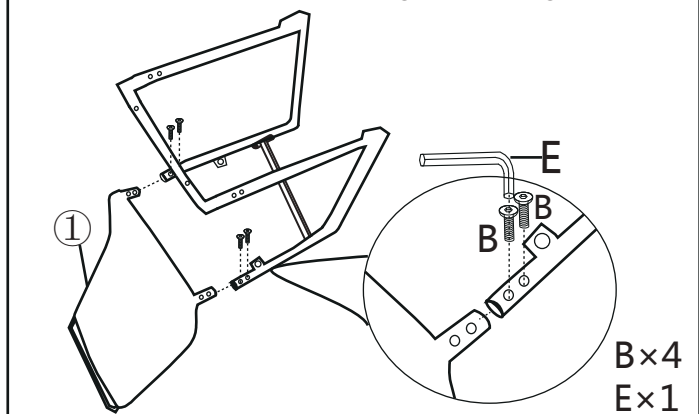


the chair is with adjustable feet  
if the chair is not stable  
please adjust the feet

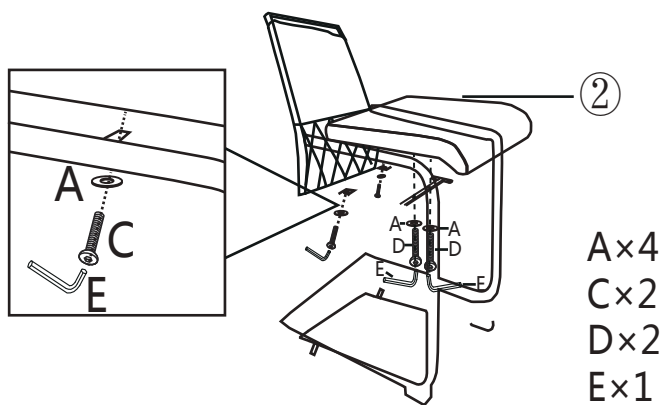
**STEP 1** ③ and ④ are connected to ⑤ respectively, ⑥ is connected to ③ and ④, B is inserted into the corresponding hole and fastened with E.



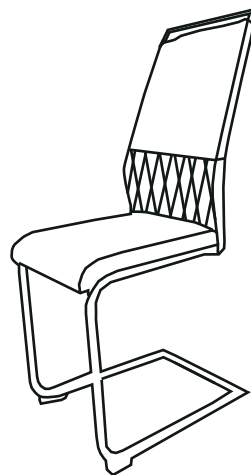
**STEP 2** Connect ① to ③ and ④ respectively, insert B into the corresponding hole and tighten with E.



**STEP 3** Connect ② to ③ and ④ respectively, fit C, A and D, A to the corresponding holes in turn and tighten C and D with E.



**STEP 4** Installation complete



Please feel free to contact us if there any damage caused in transit.And do not return the product without communication. That's very important for us. Thank you for your understanding.

