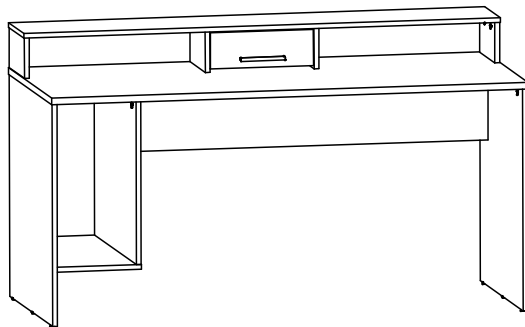
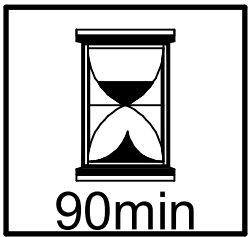
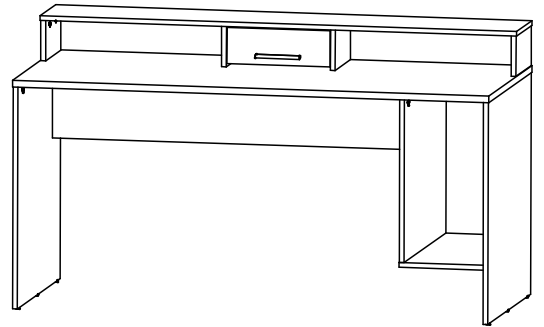


**A**

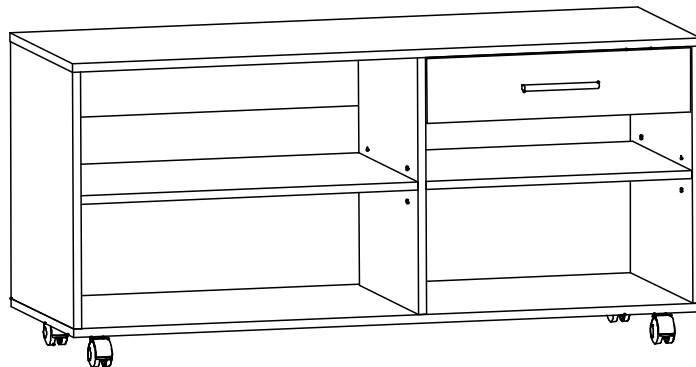
**L**

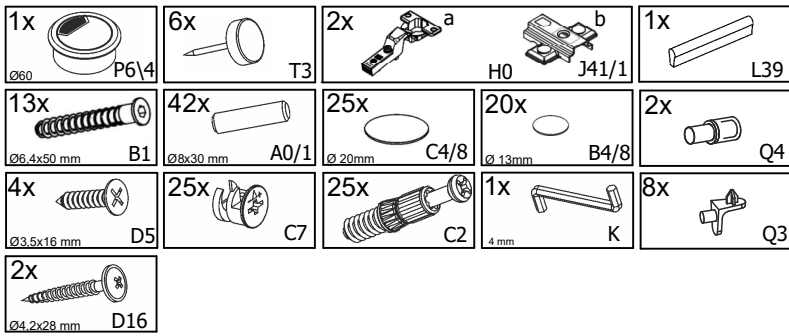
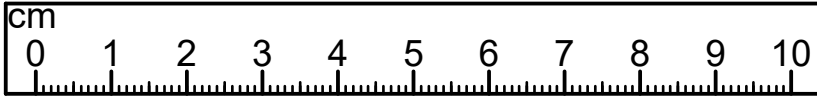


**R**

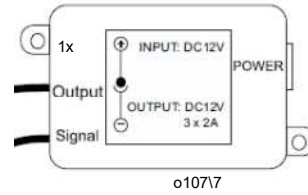
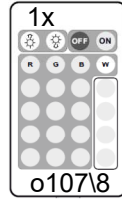
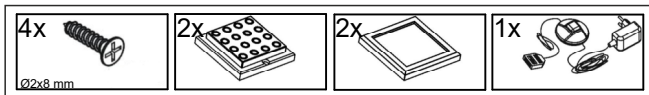


**B**

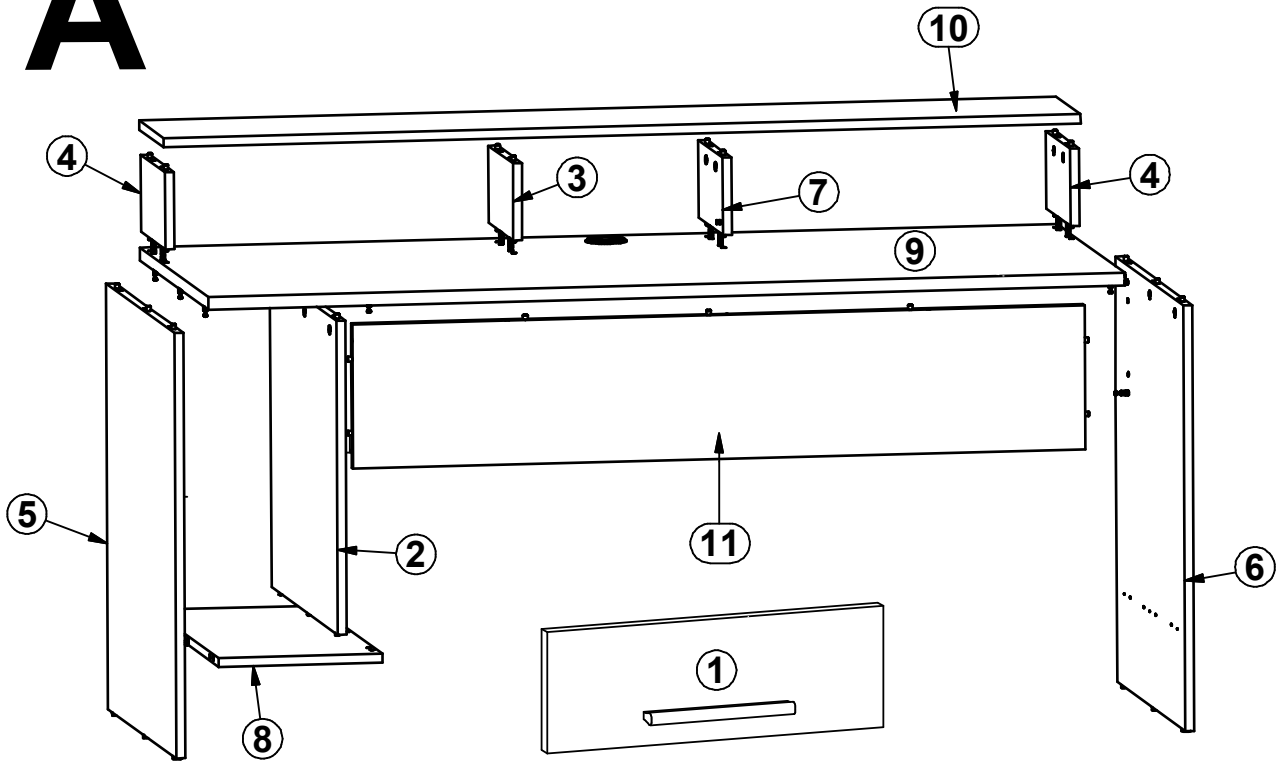




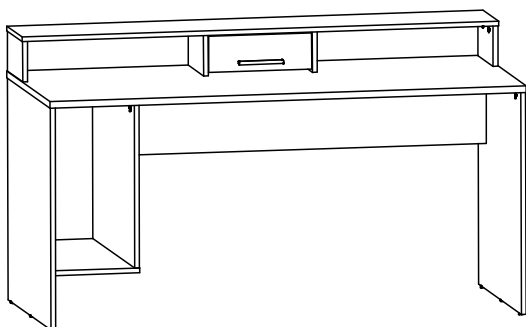
A	B	C1	C2	C3	D
1	S539-0001	346	120	16	3/4
2	S539-1001	544	677	16	3/4
3	S539-1002	134	248	16	3/4
4	S539-1004	134	248	16	3/4
5	S539-1005	738	696	16	3/4
6	S539-1006	738	696	16	3/4
7	S539-1010	134	248	16	3/4
8	S539-2001	286	678	16	3/4
9	S539-2002	1600	700	22	4/4
10	S539-2003	1600	250	16	4/4
11	S539-4501	1279	250	16	4/4



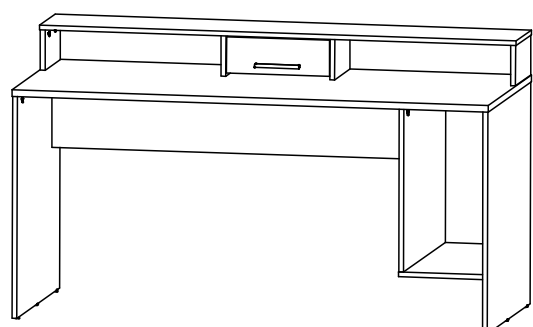
**A**

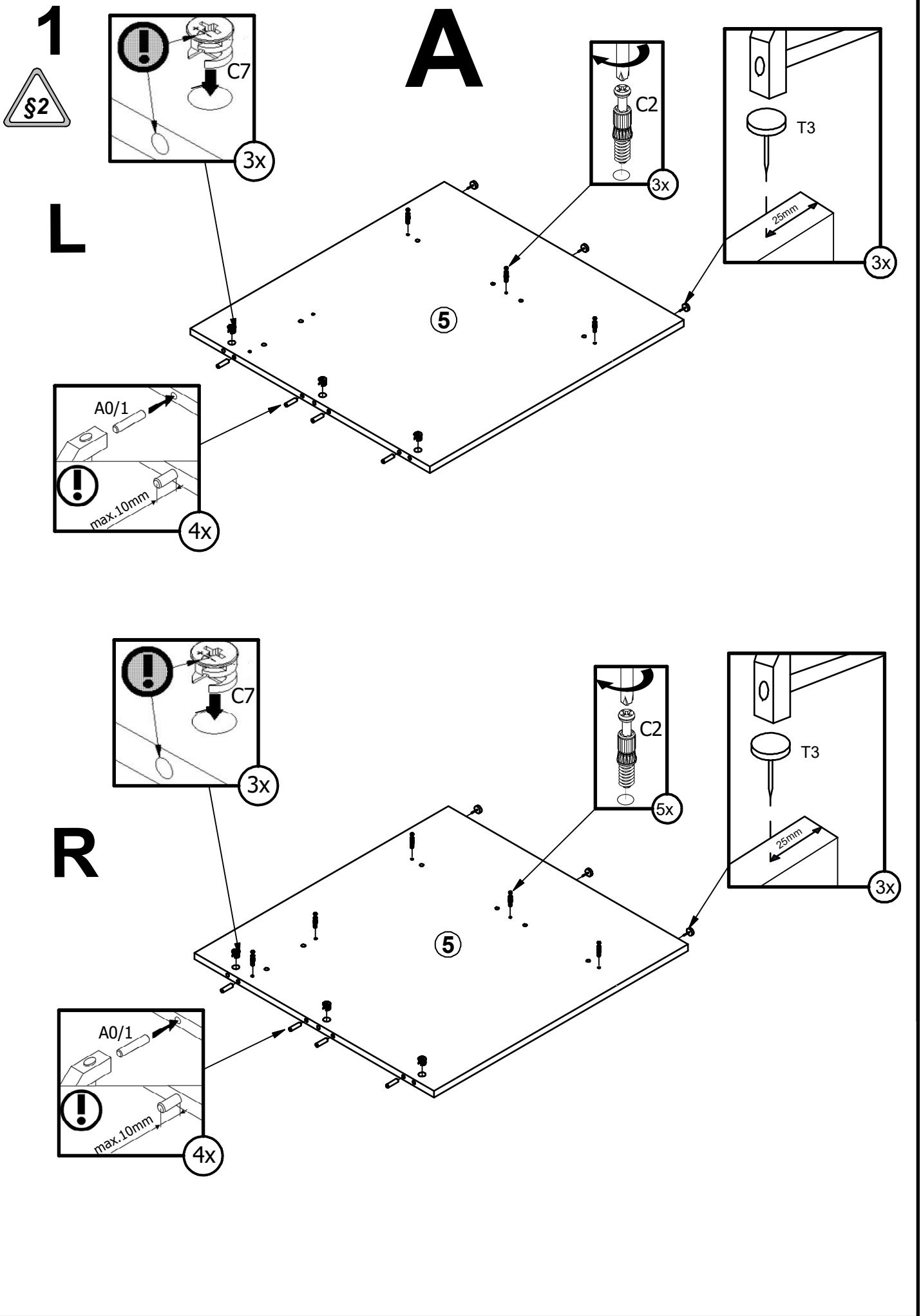


**L**



**R**

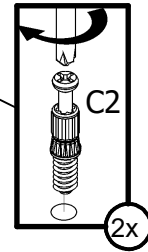
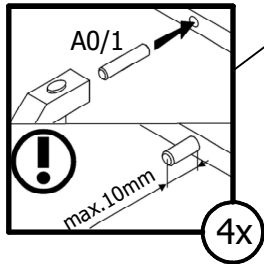
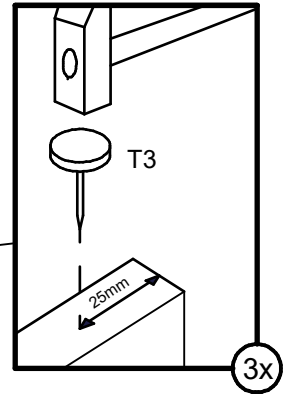
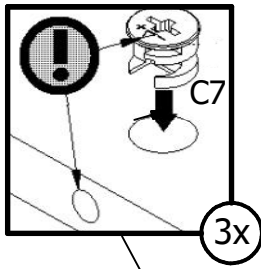




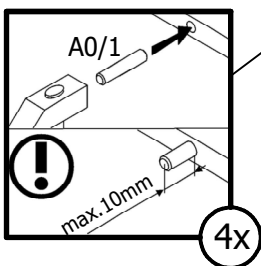
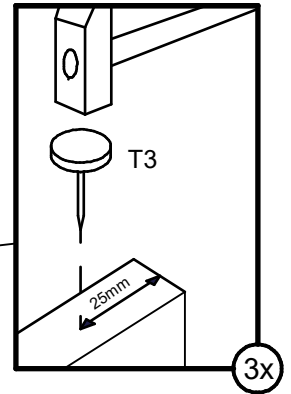
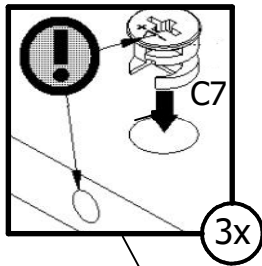
2

A

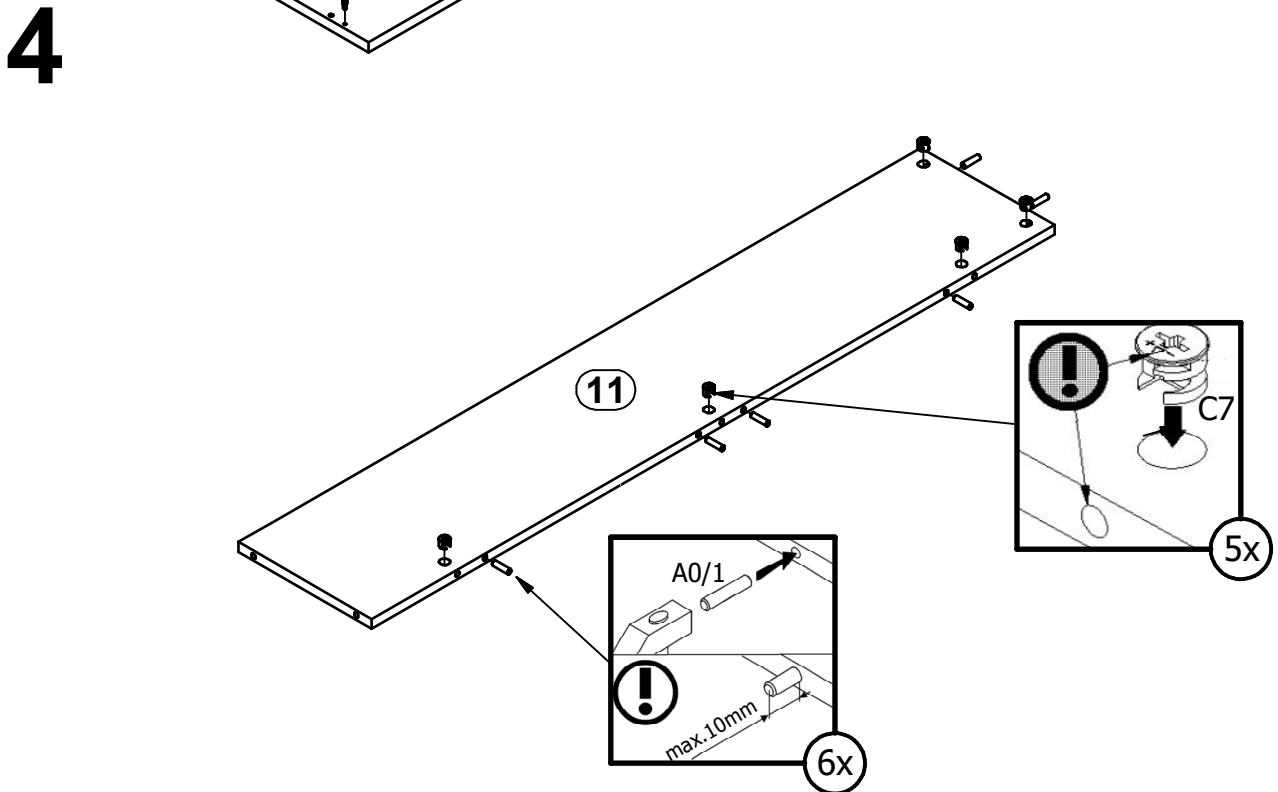
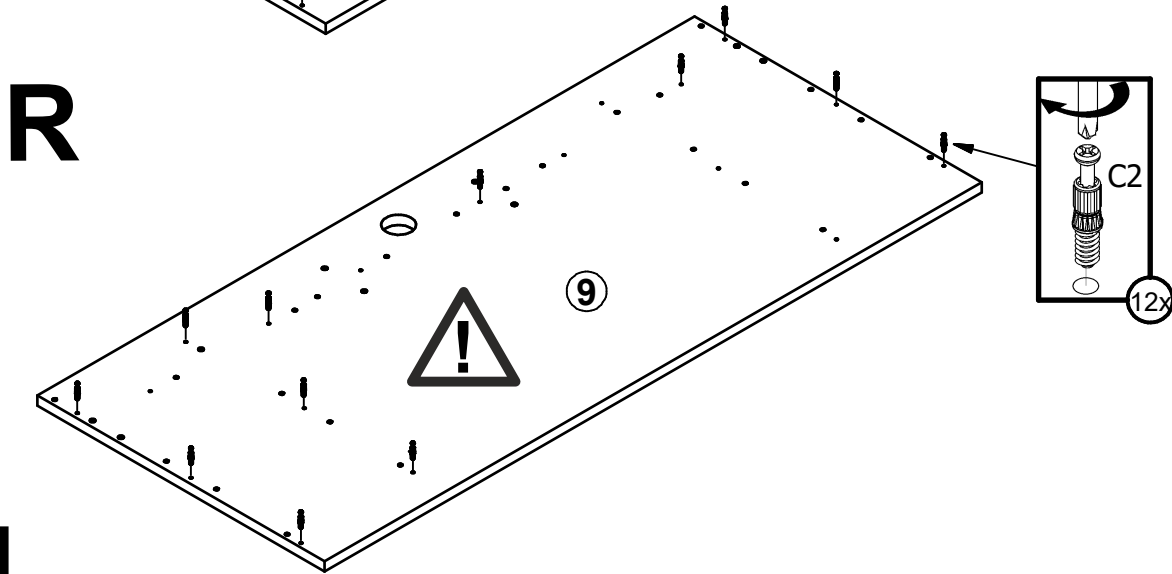
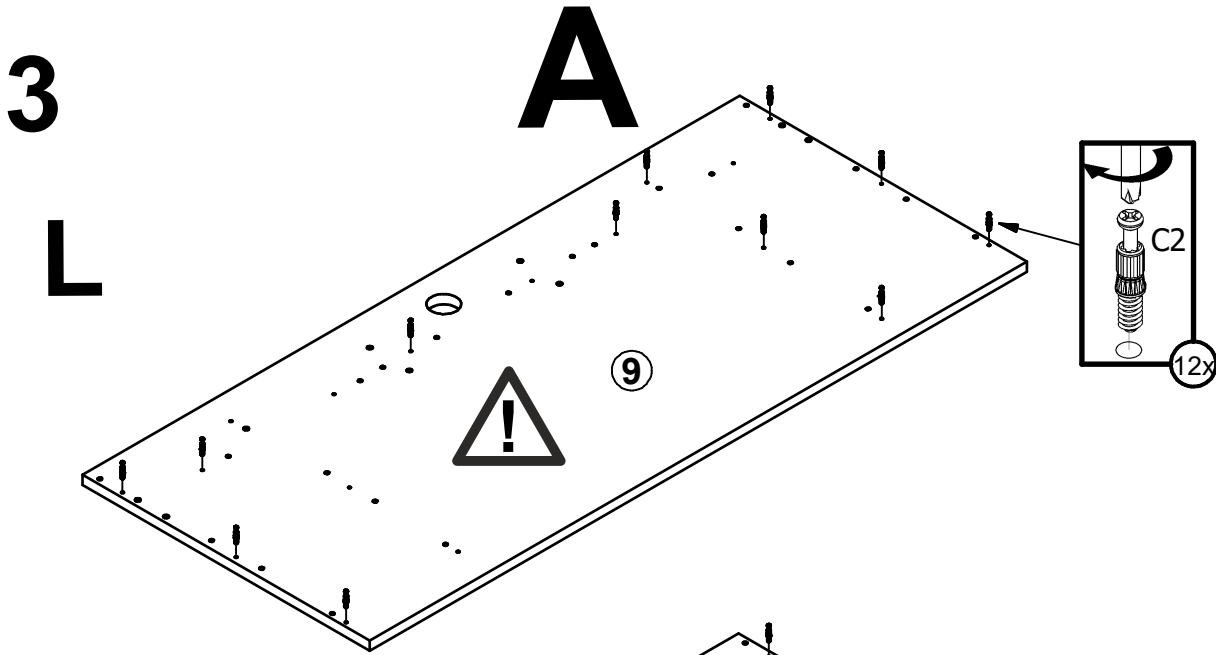
L



R

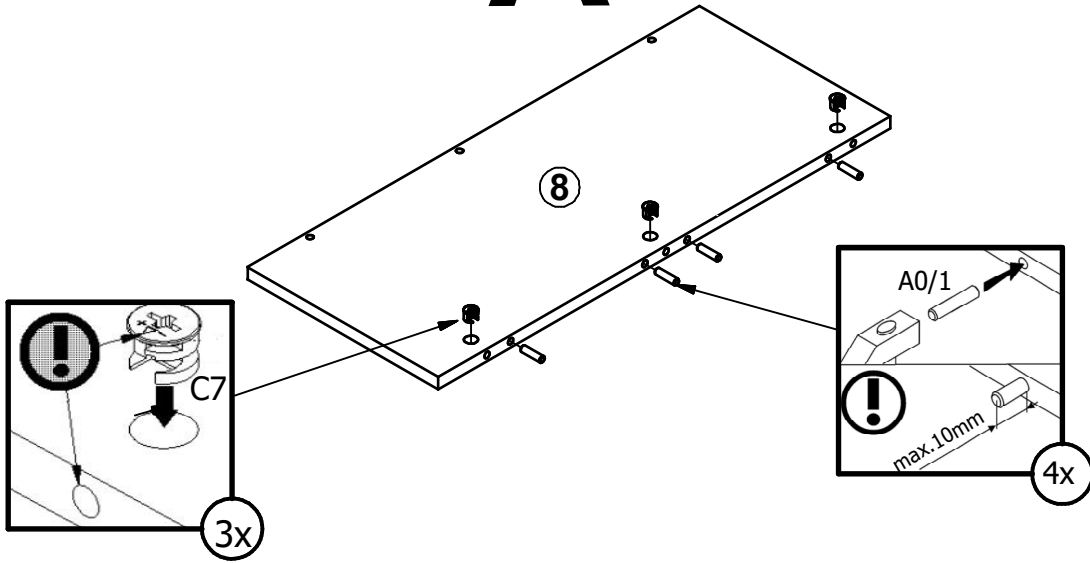






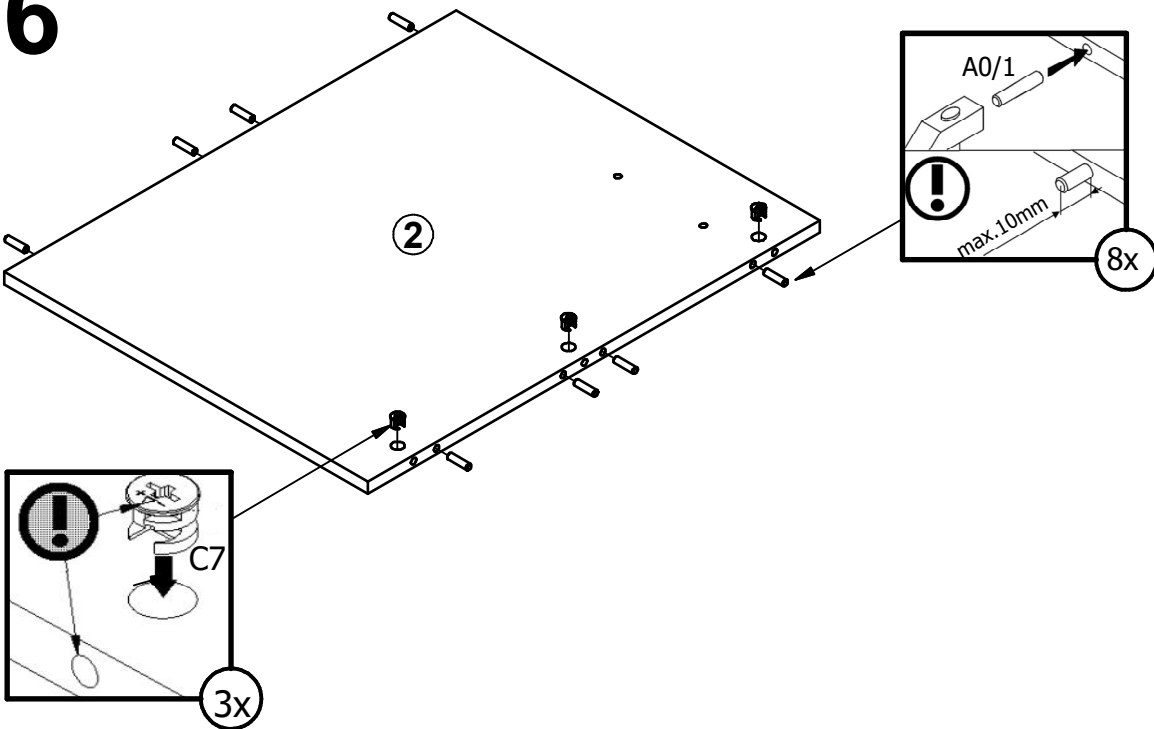
5

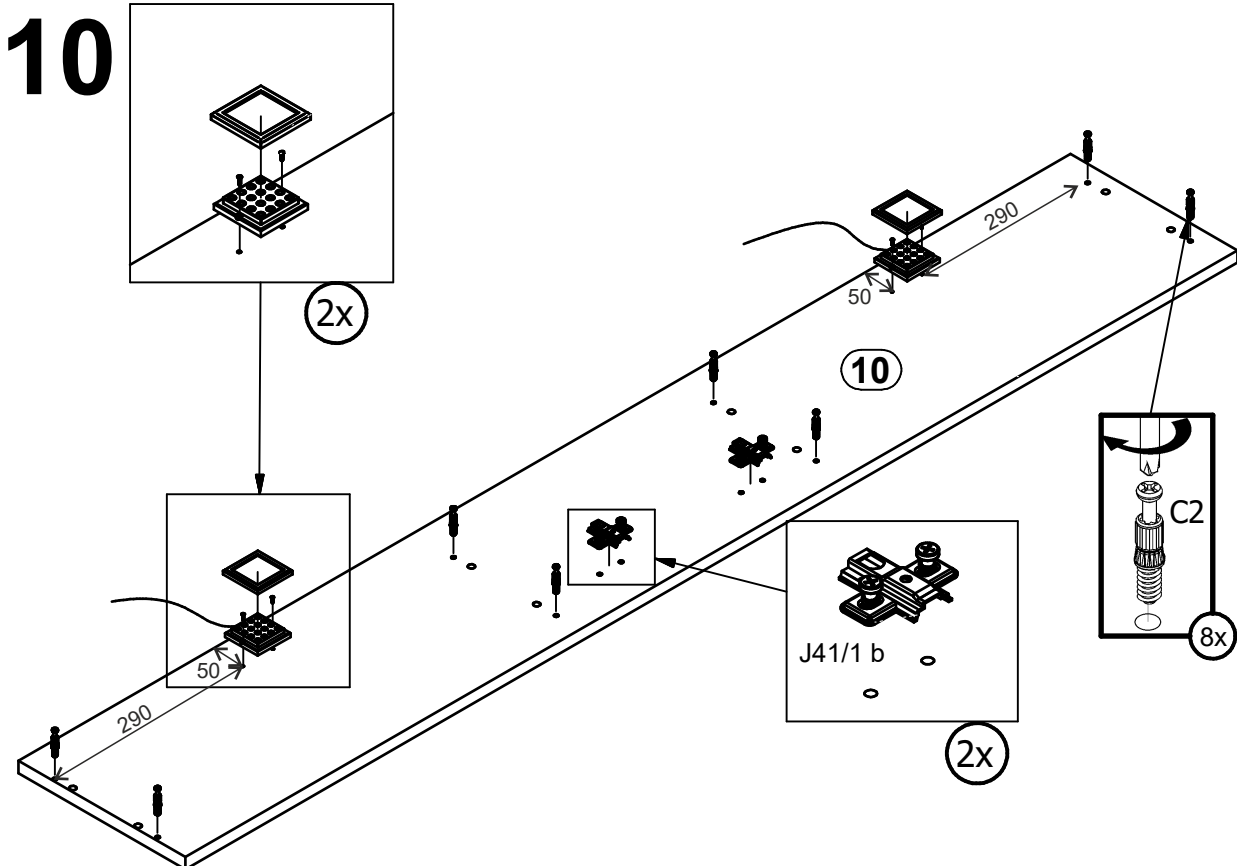
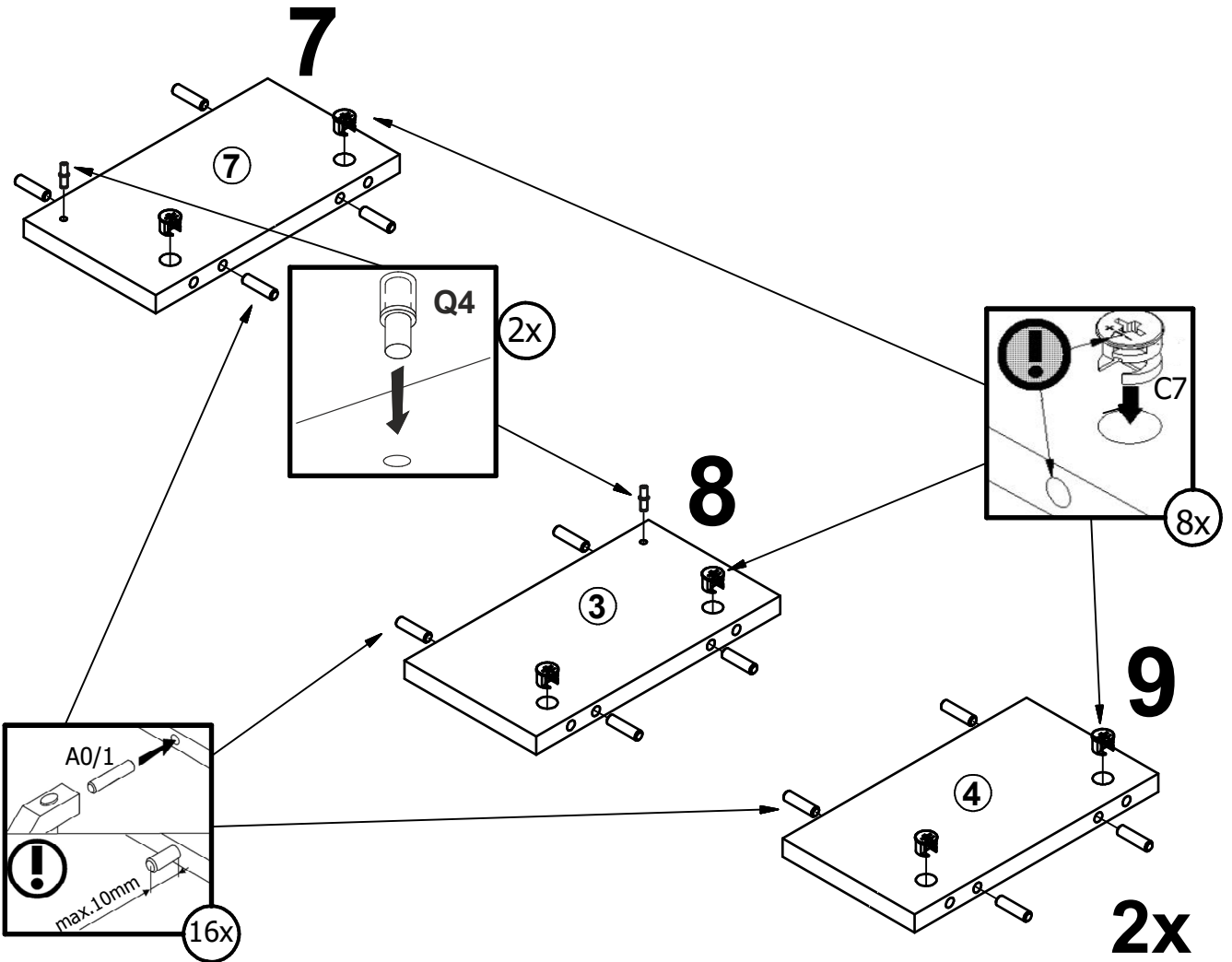
A



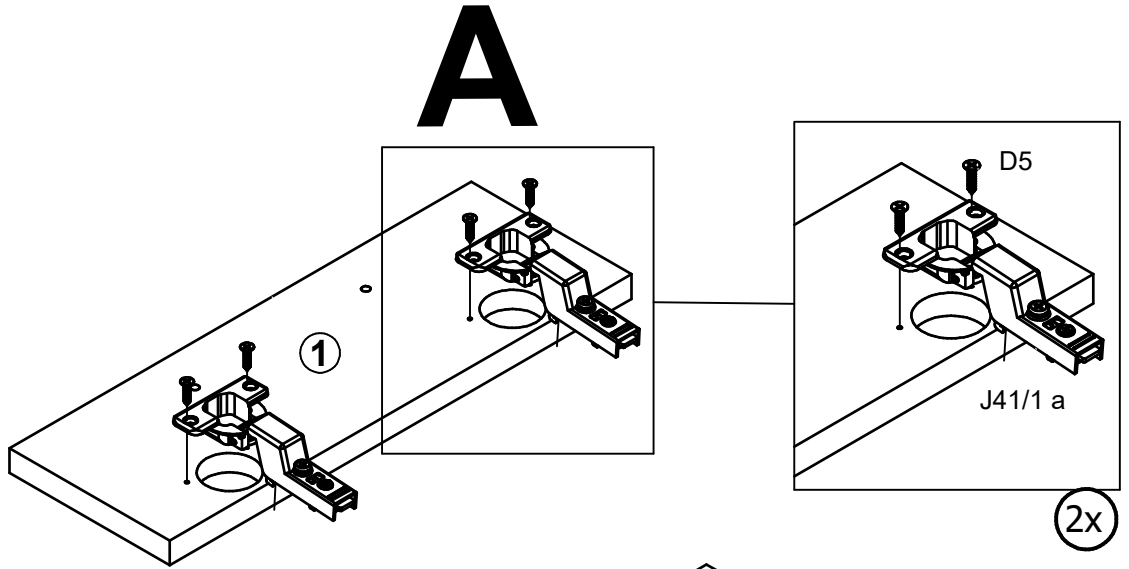
6

7

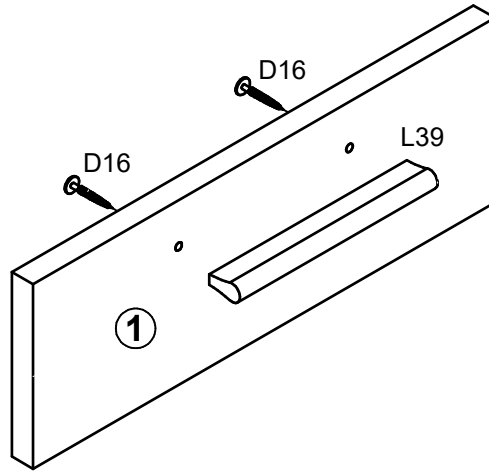




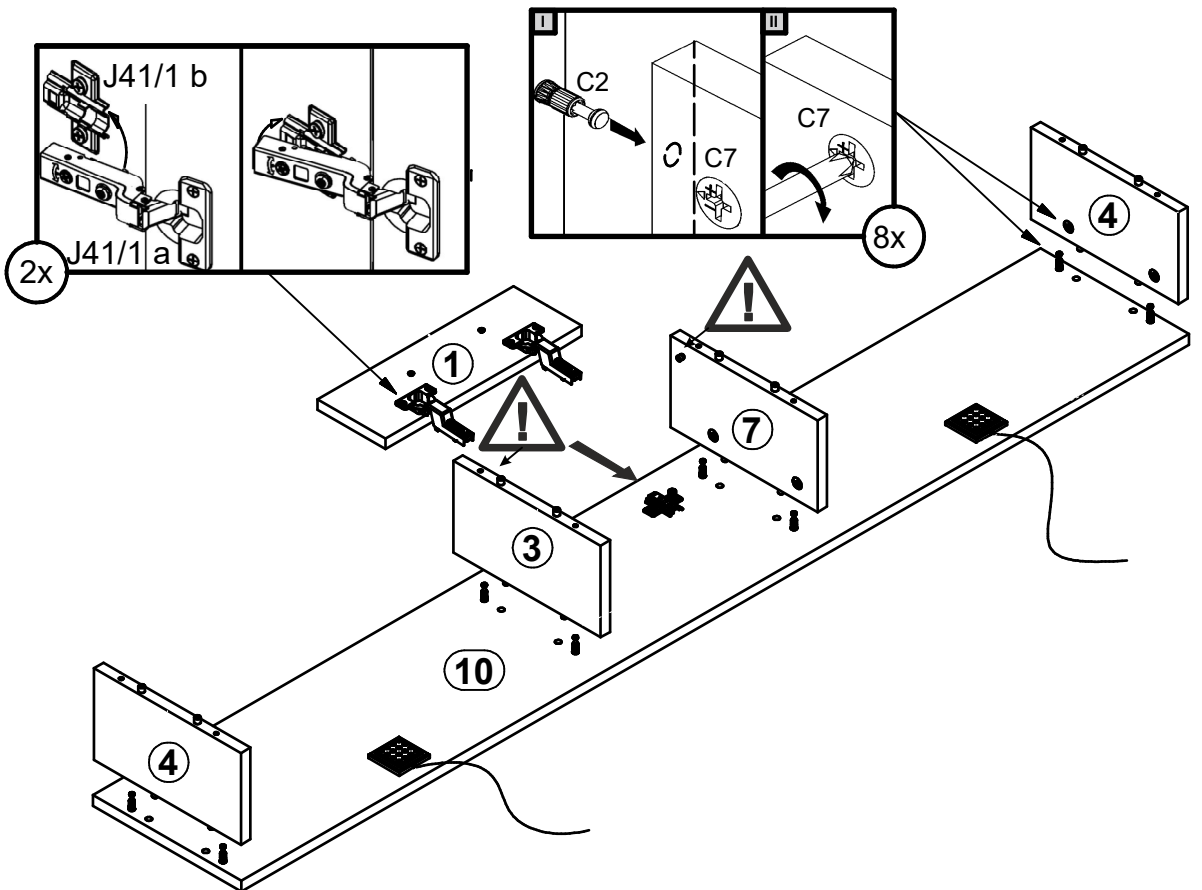
11

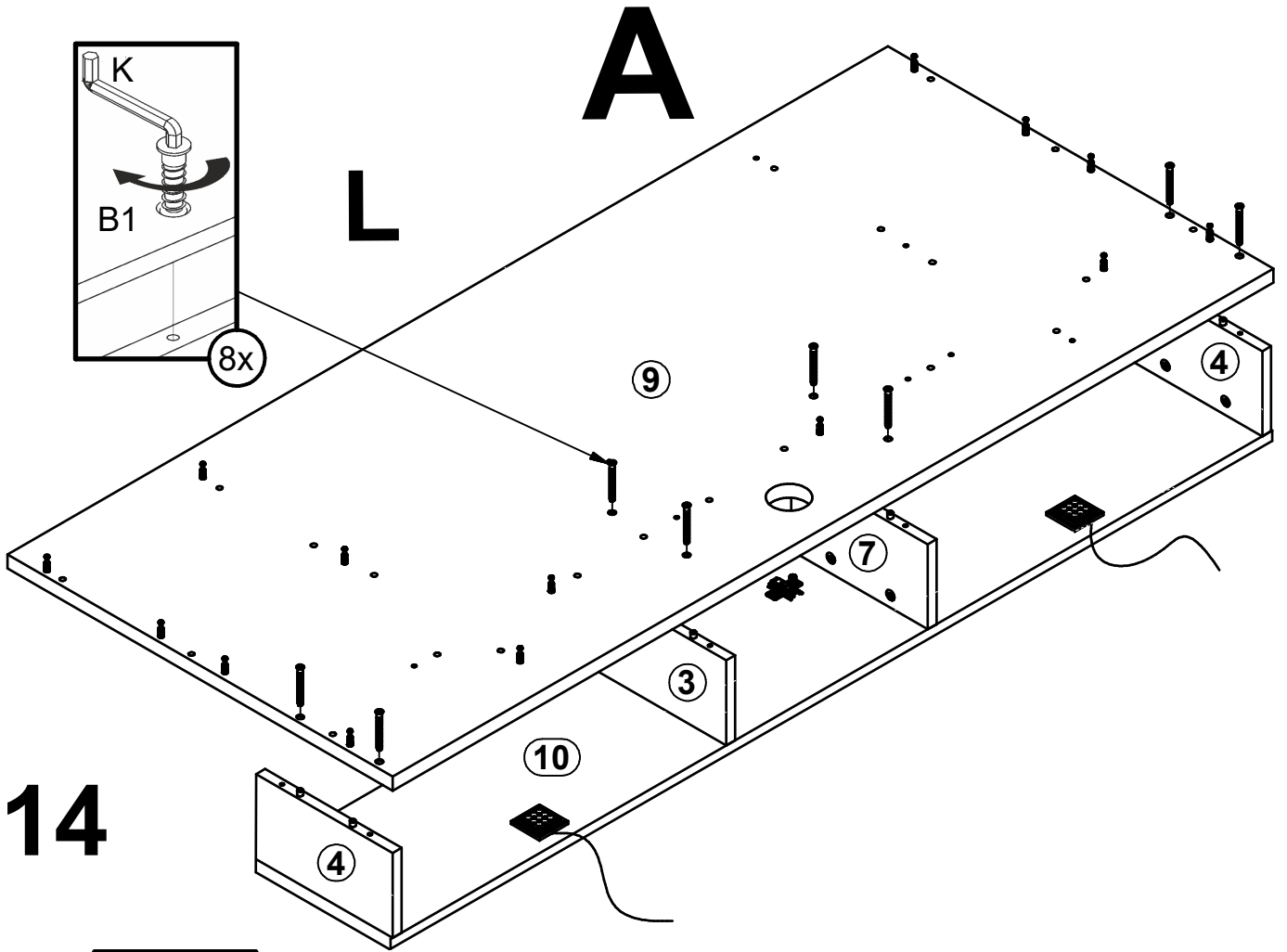


12

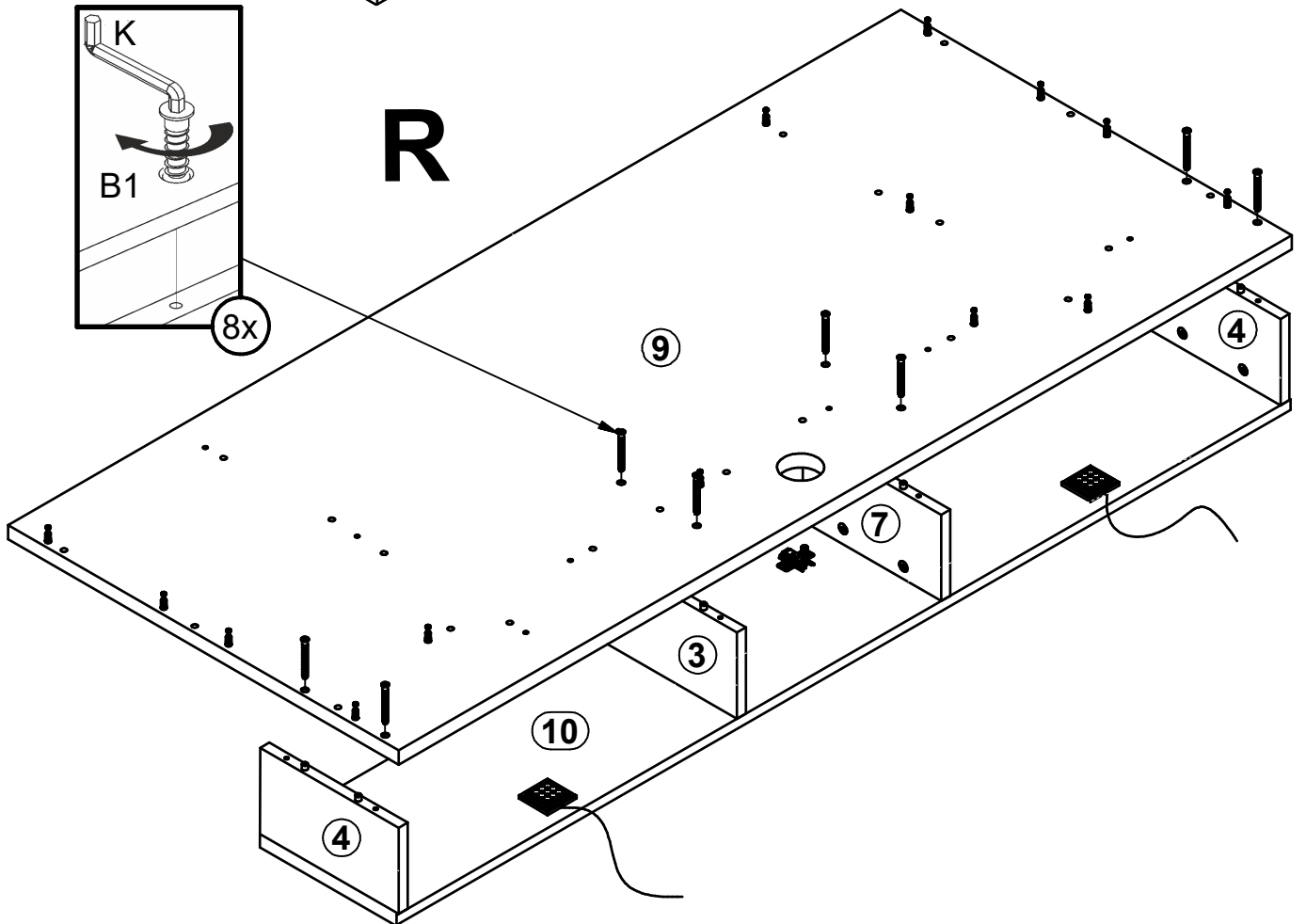


13



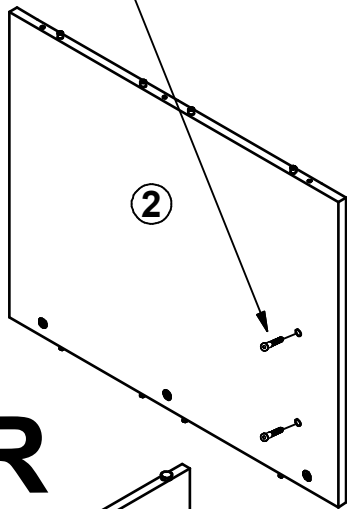
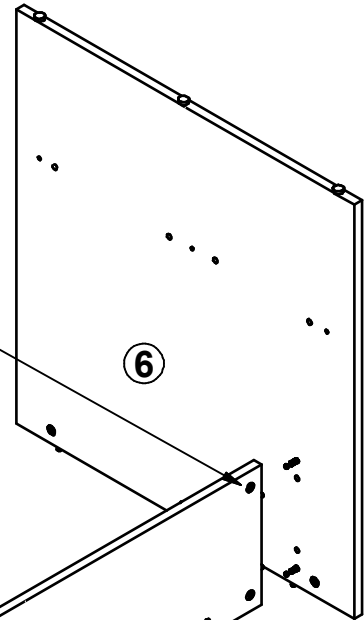
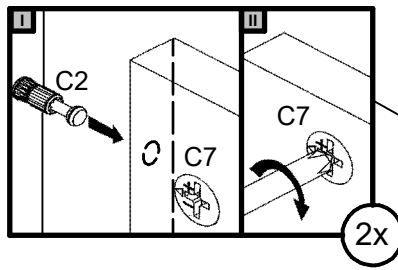
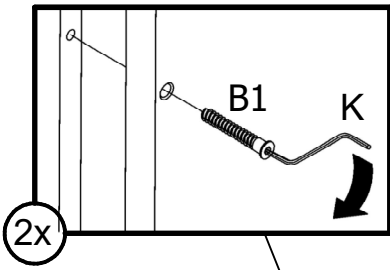


14

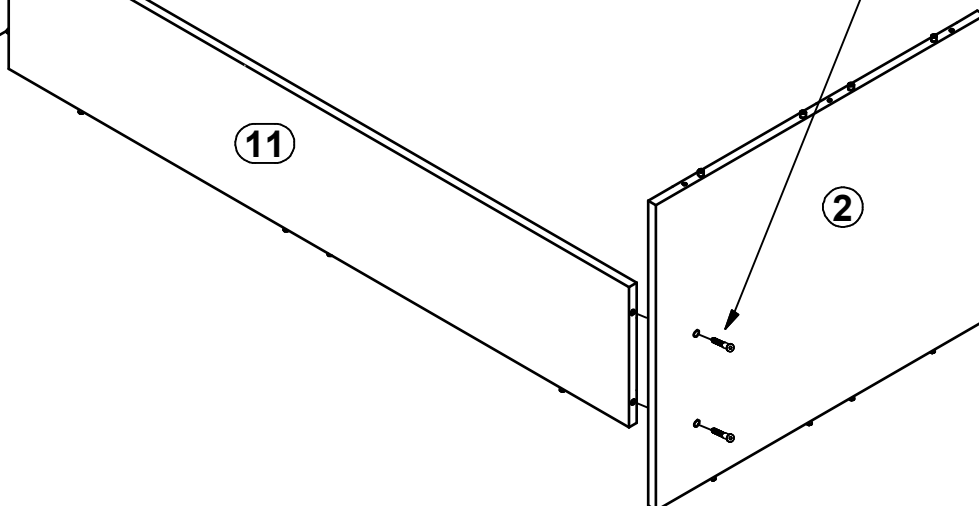
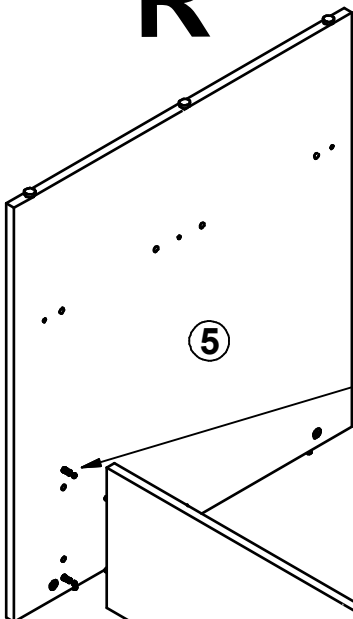
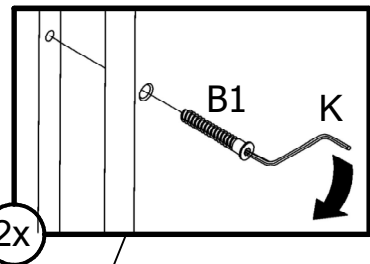
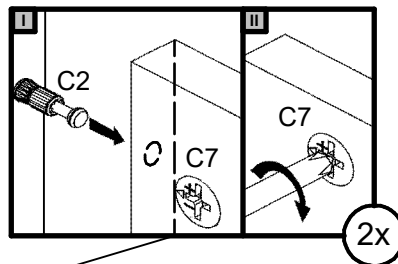


15 L

A



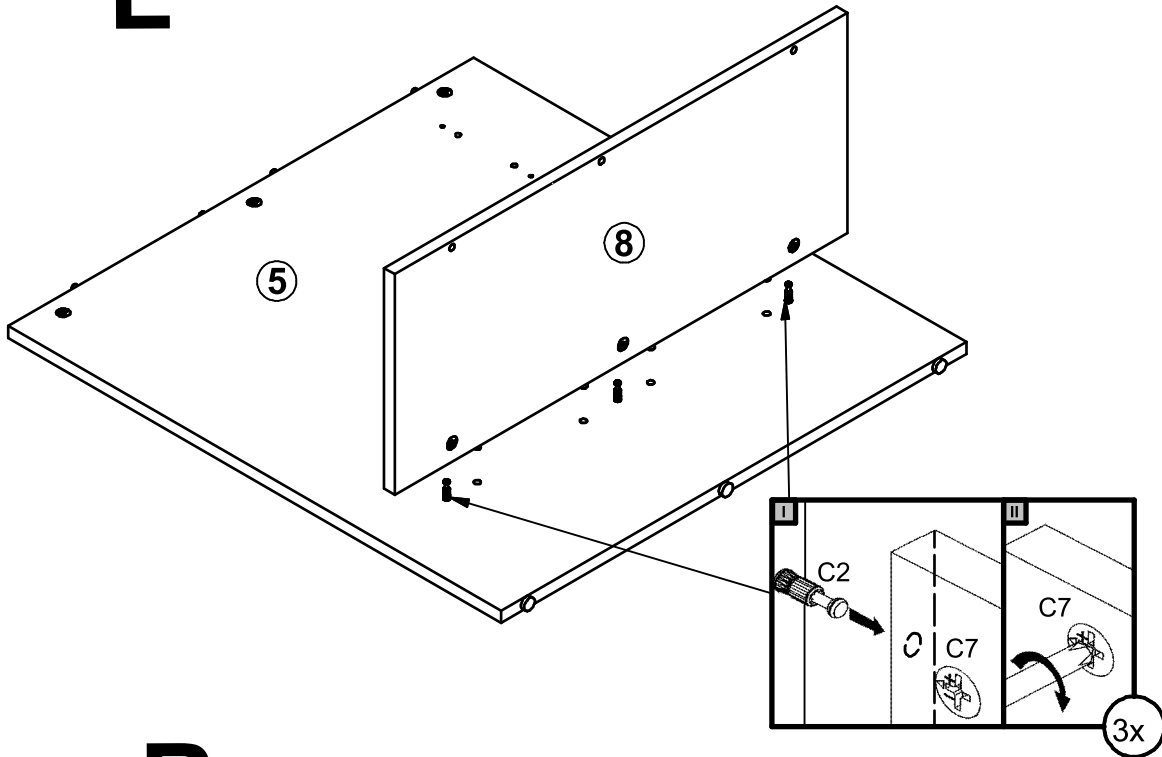
R



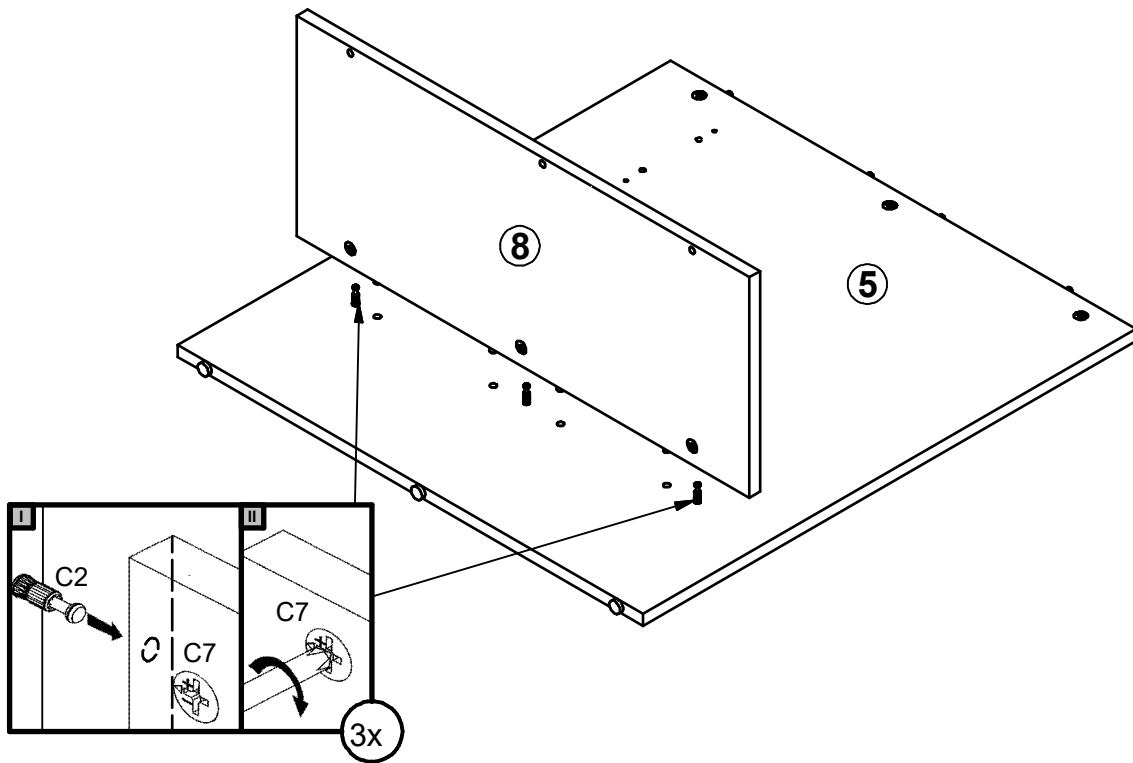
16

A

L



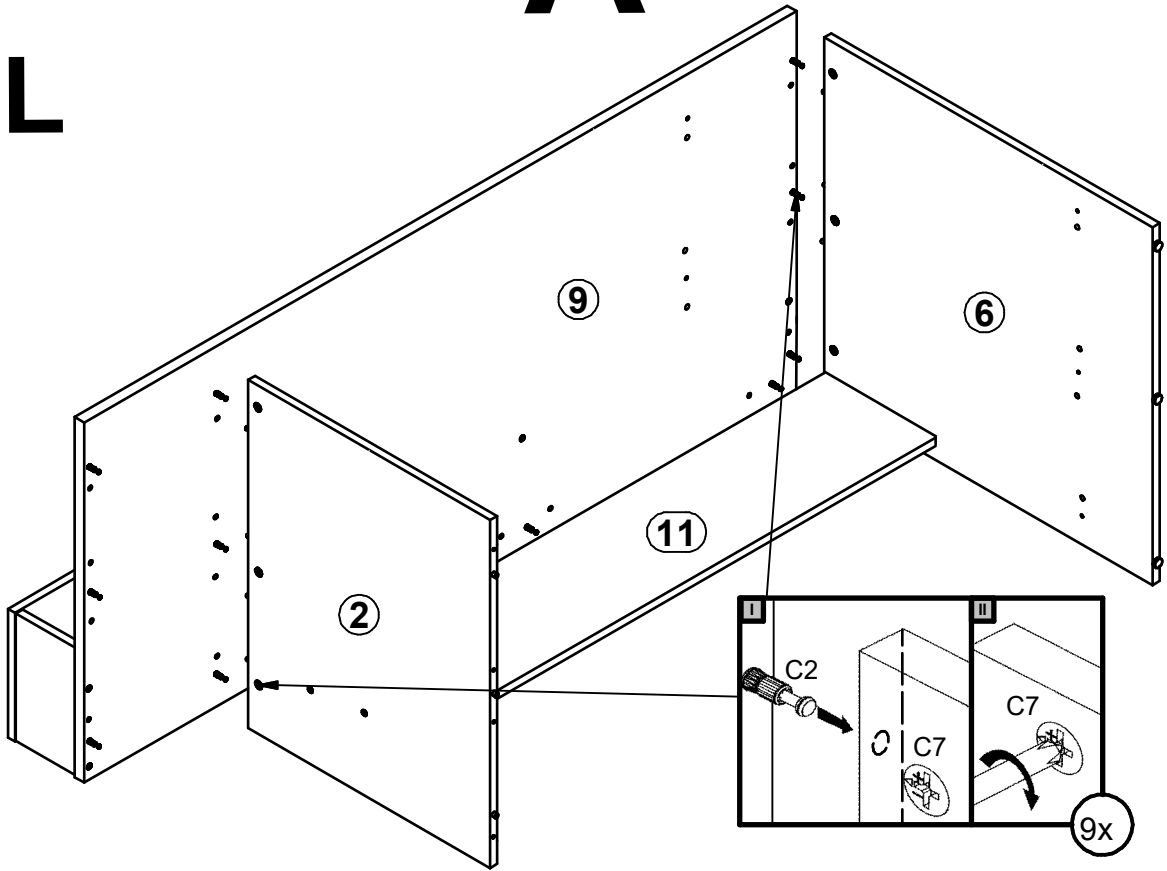
R



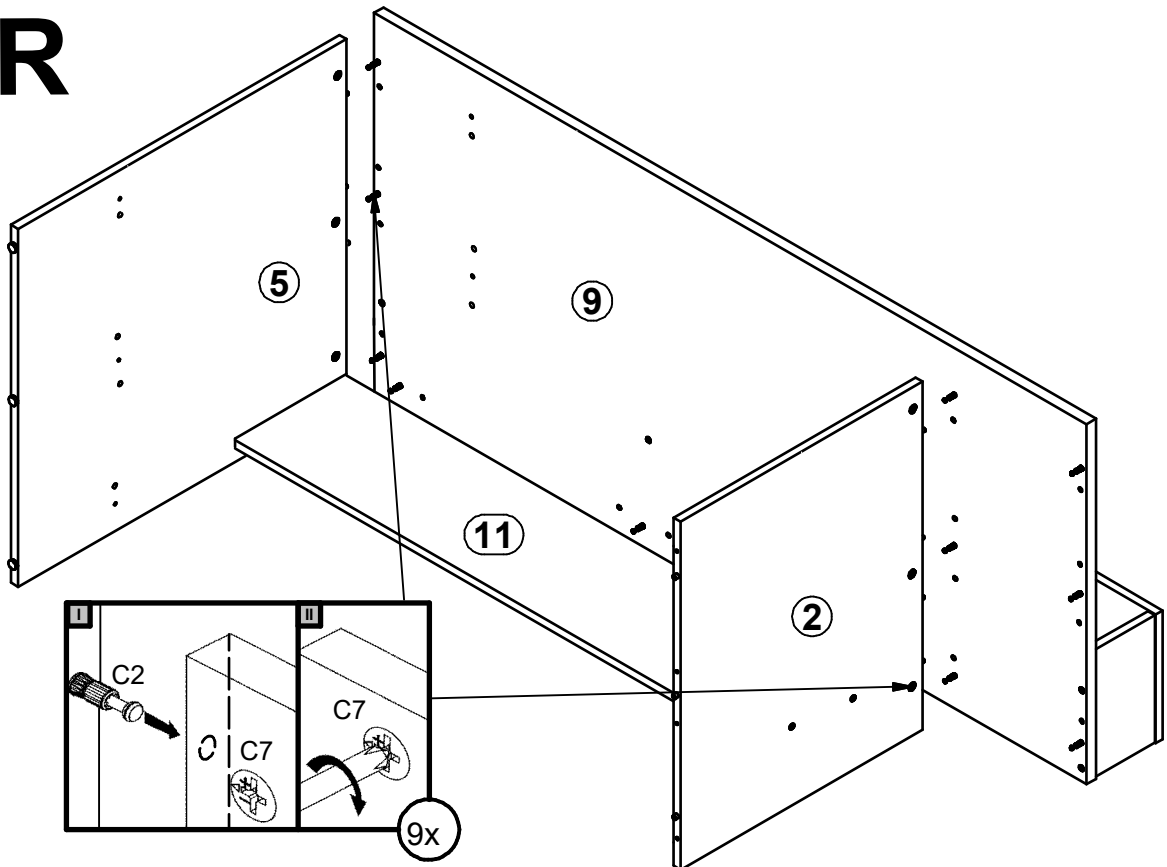
17

A

L



R



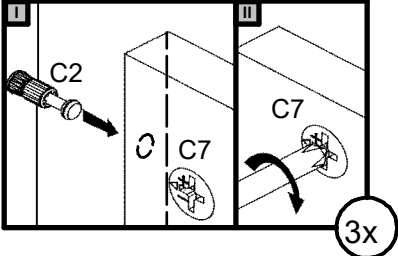
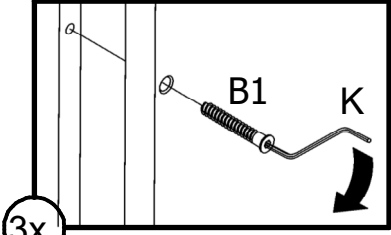
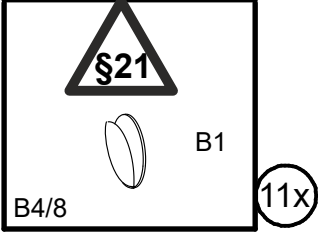
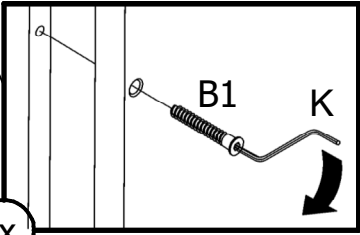
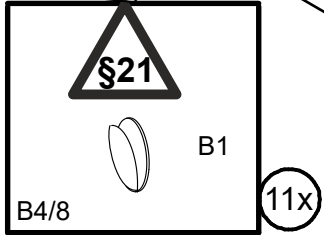
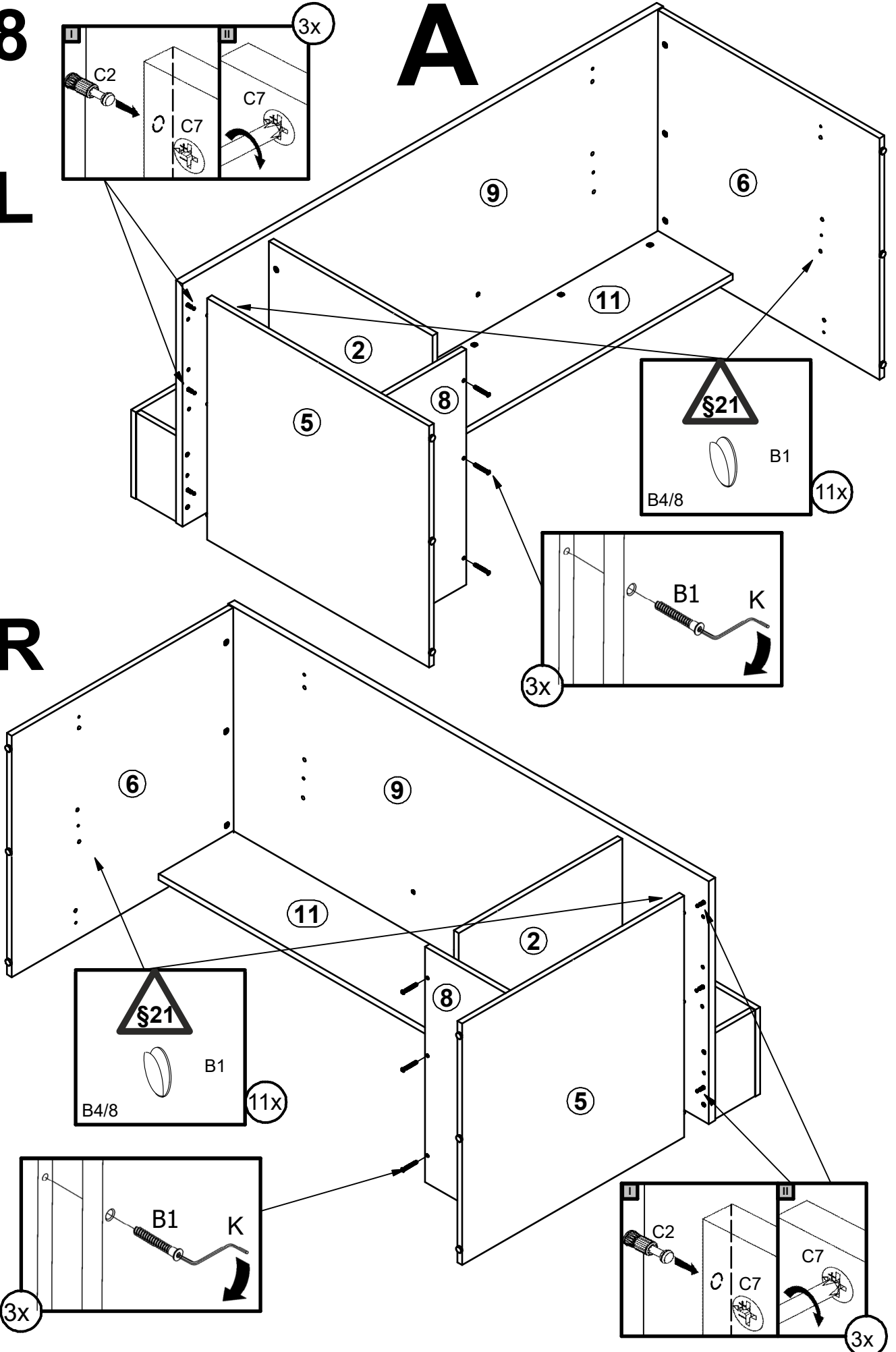
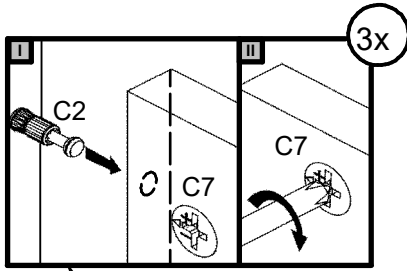


18

L

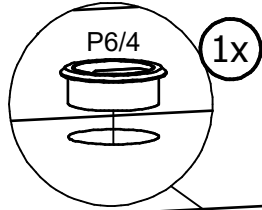
R

A

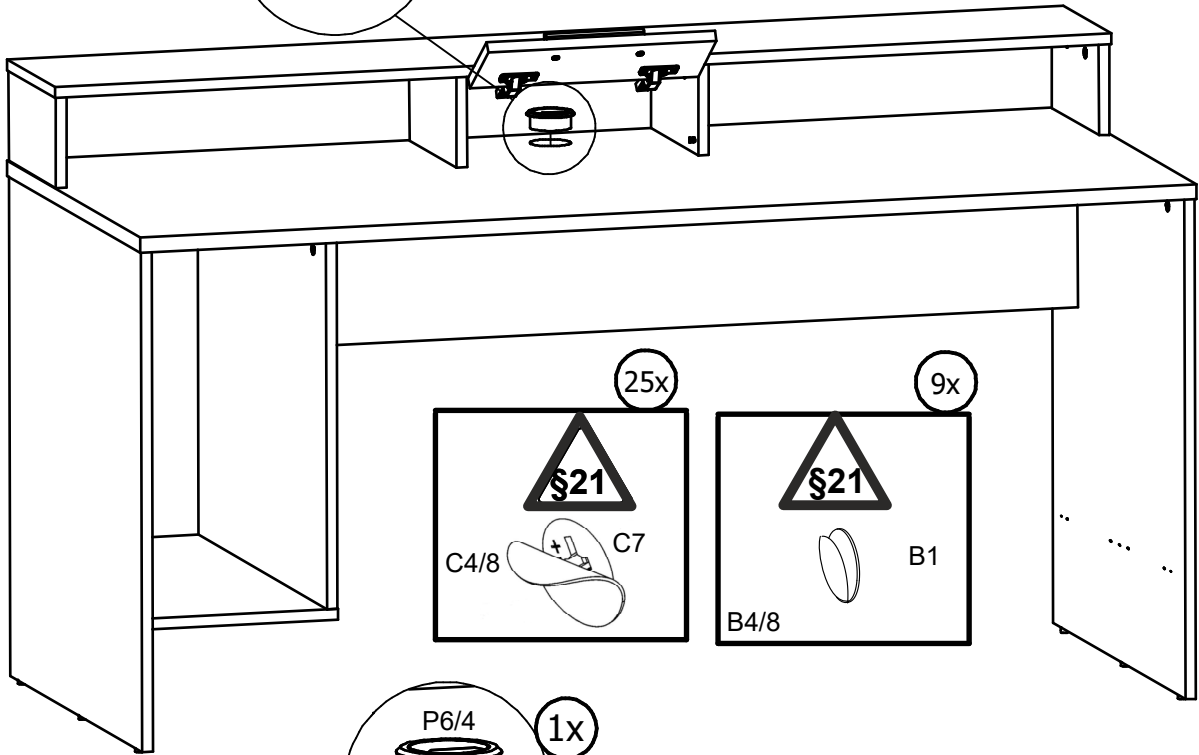


19

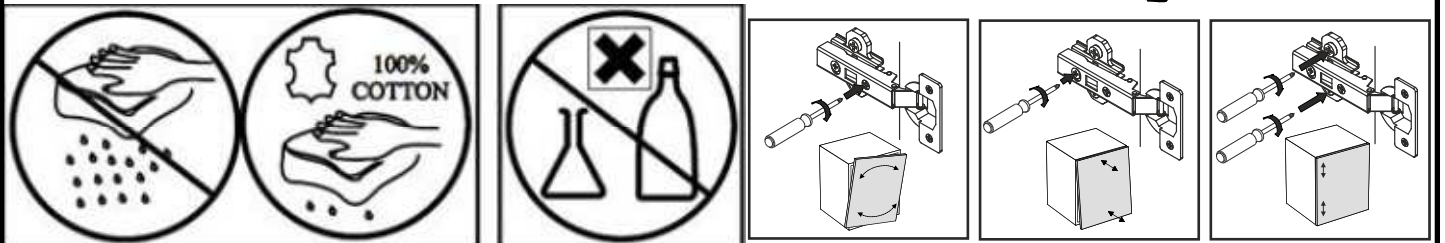
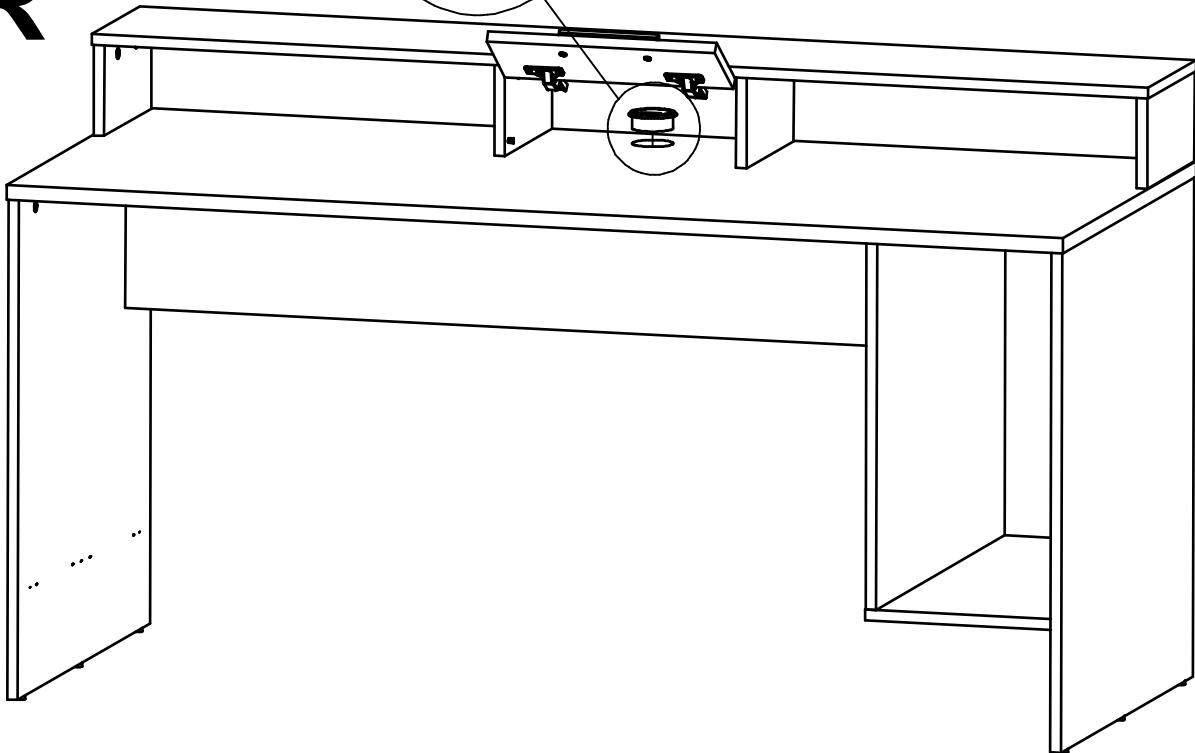
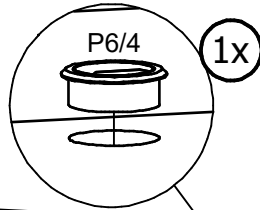
L



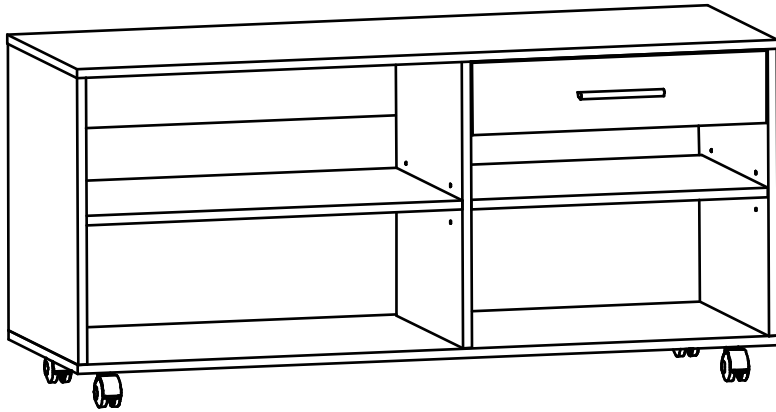
A



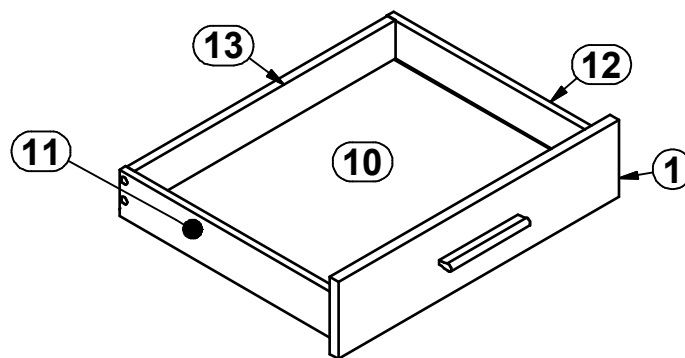
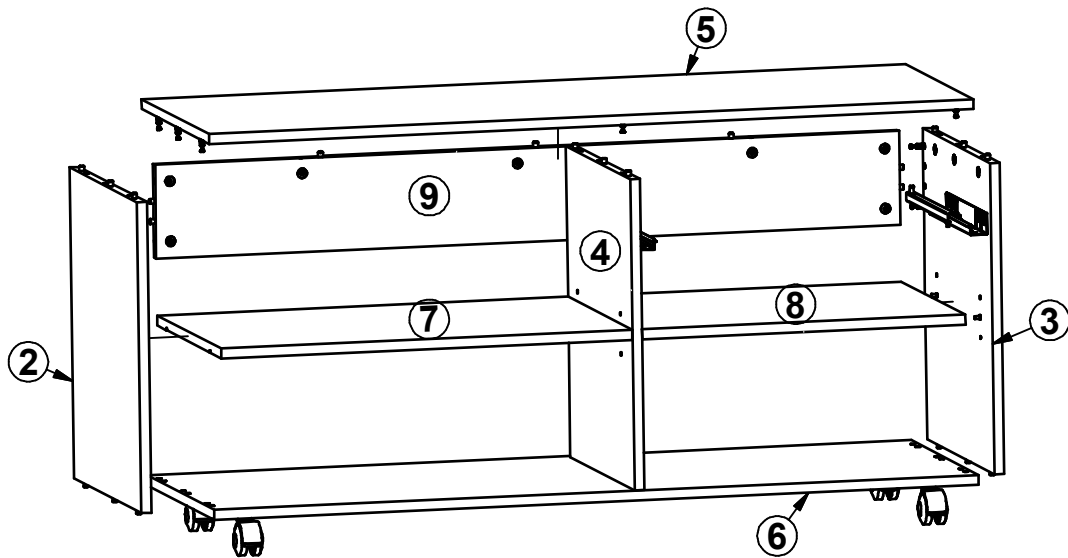
R



B



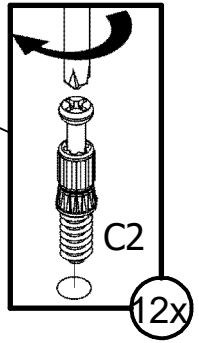
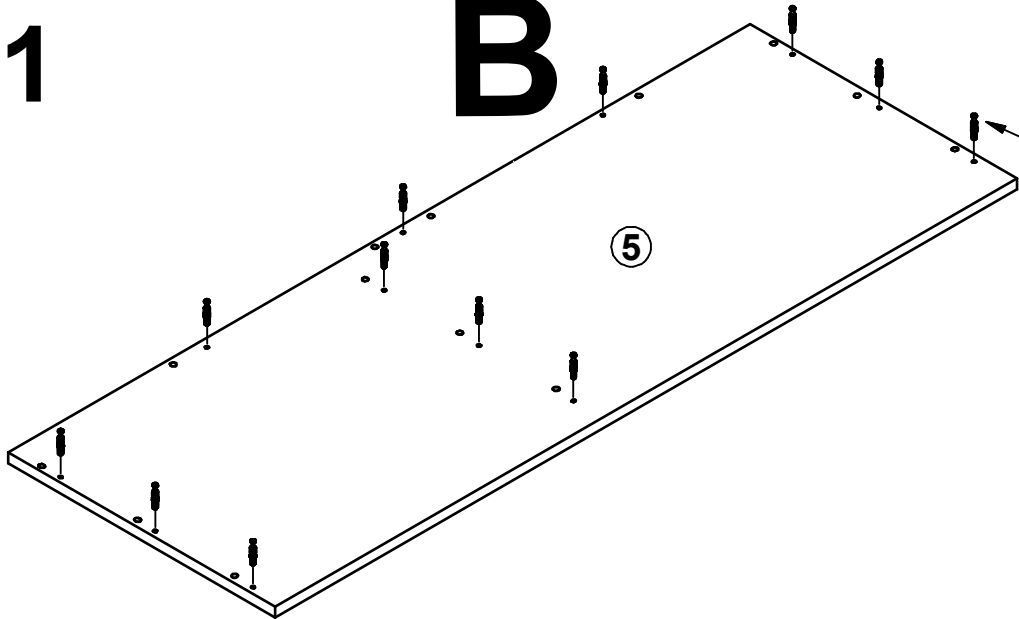
A	B	C1	C2	C3	D
1	S539-0002	525	125	16	1/4
2	S539-1007	498	449	16	1/4
3	S539-1008	498	449	16	1/4
4	S539-1009	498	430	16	1/4
5	S539-2004	1250	450	16	2/4
6	S539-2005	1250	450	16	2/4
7	S539-3001	672	427	16	1/4
8	S539-3002	529	427	16	1/4
9	S539-4502	1217	150	16	2/4
10	WSP-9410	499	393	2,5	1/4
11	ZQ6-529	400	80	16	1/4
12	ZQ6-530	400	80	16	1/4
13	ZQ6-5170	489	77	16	1/4



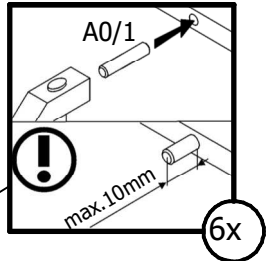
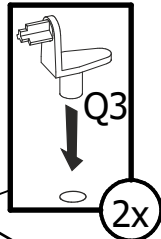
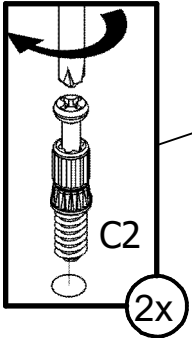
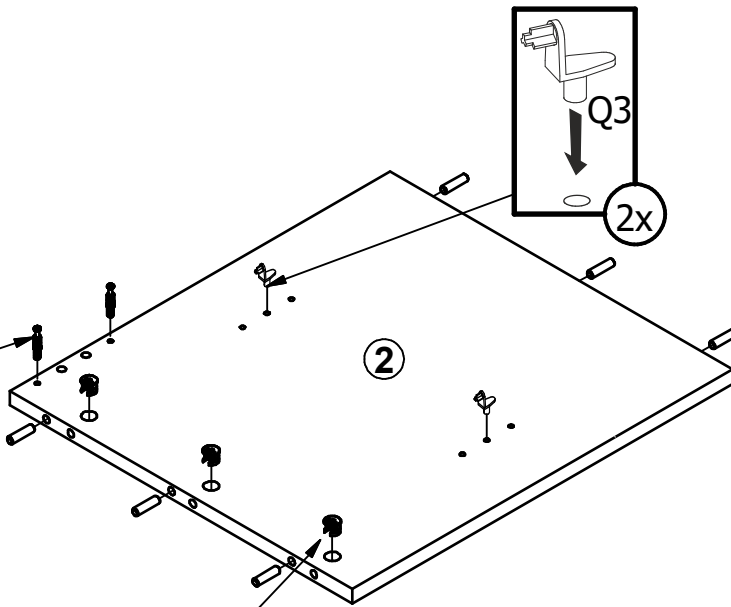
4x  M1	4x  T7	1x  L47/2	1x  K 4 mm
13x  B1 Ø6.4x50 mm	28x  A0/1 Ø8x30 mm	18x  C4/8 Ø20mm	13x  B4/8 Ø13mm
8x  D20 Ø5x9 mm	22x  D5 Ø3.5x16 mm	18x  C7	18x  C2
2x  D16 Ø4.2x28 mm	1x  N16/L 450 mm	1x  N16/R 450 mm	

1

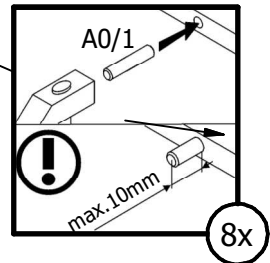
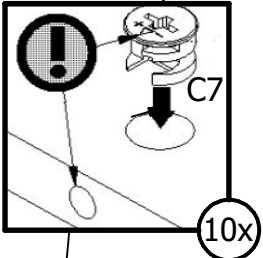
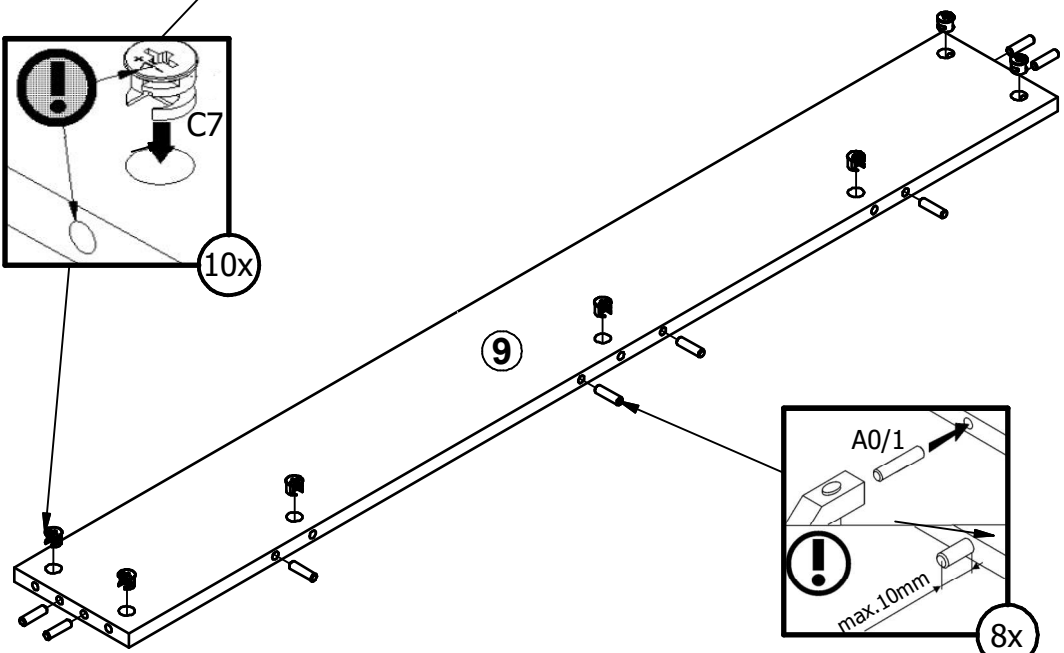
B



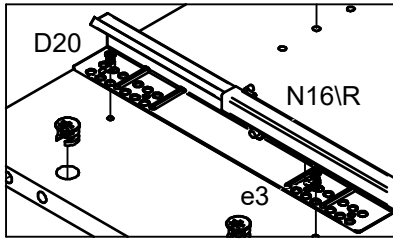
2



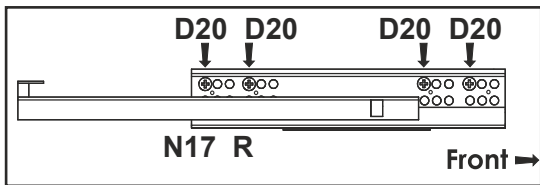
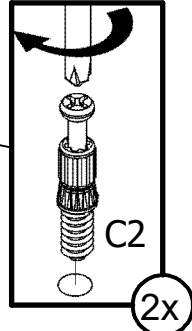
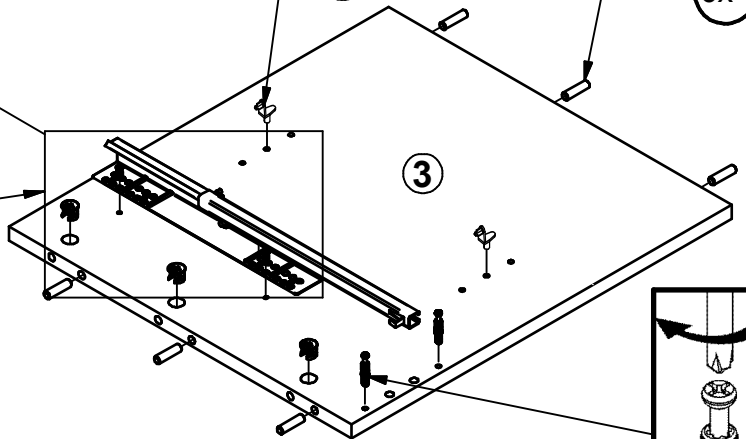
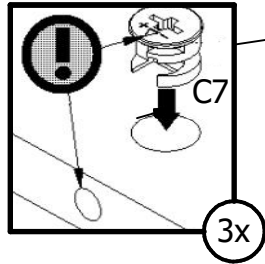
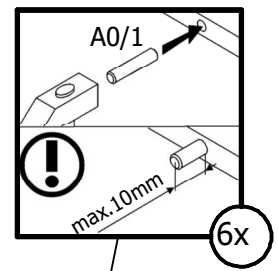
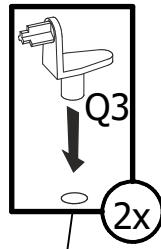
3



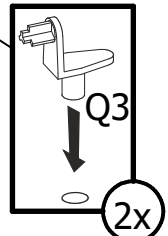
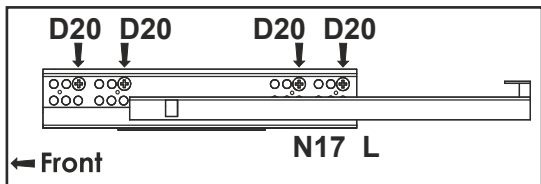
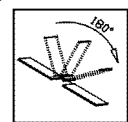
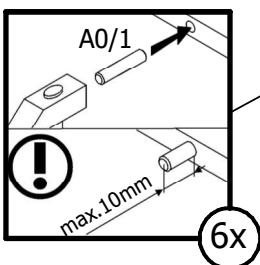
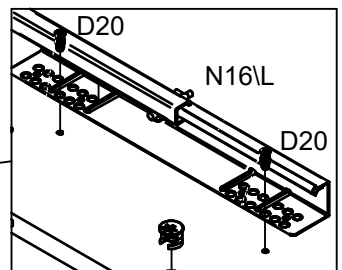
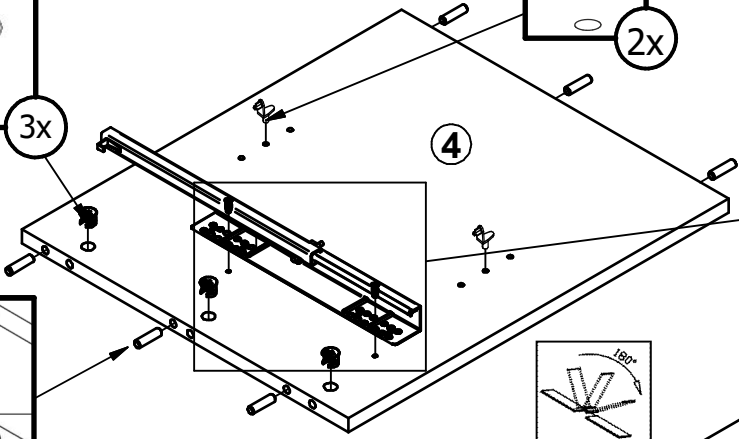
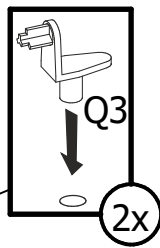
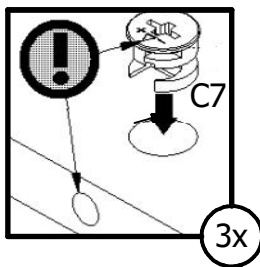
4



B

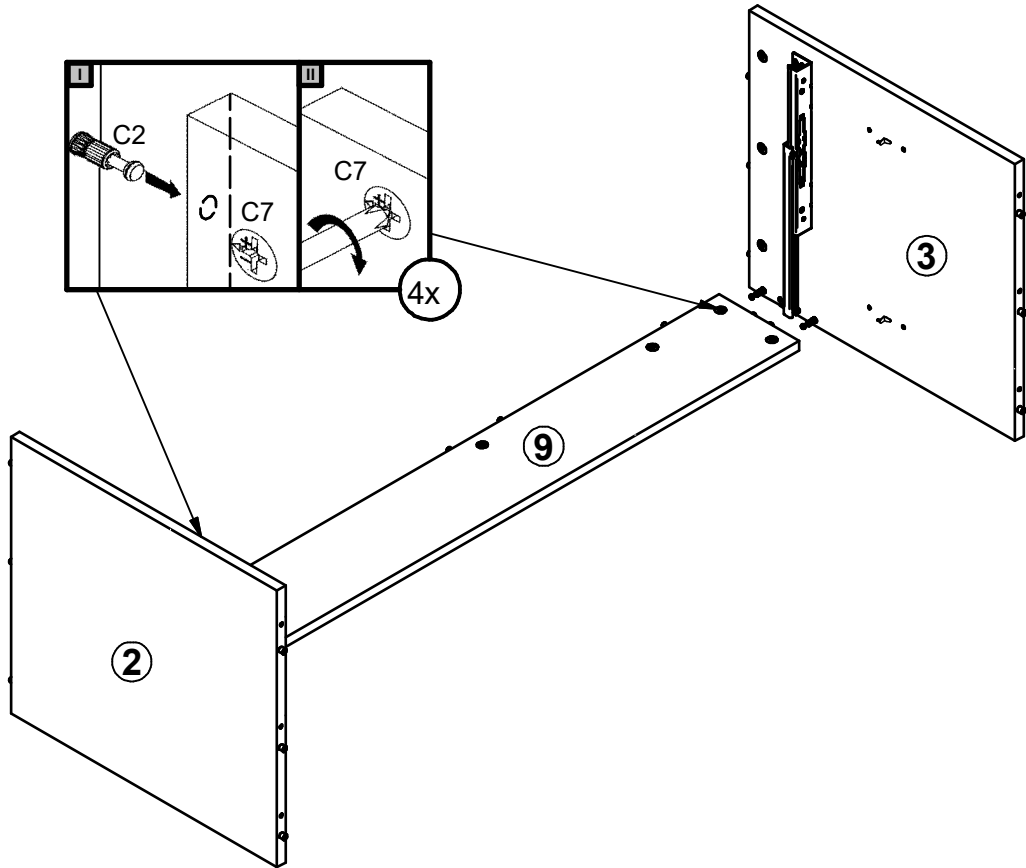


5



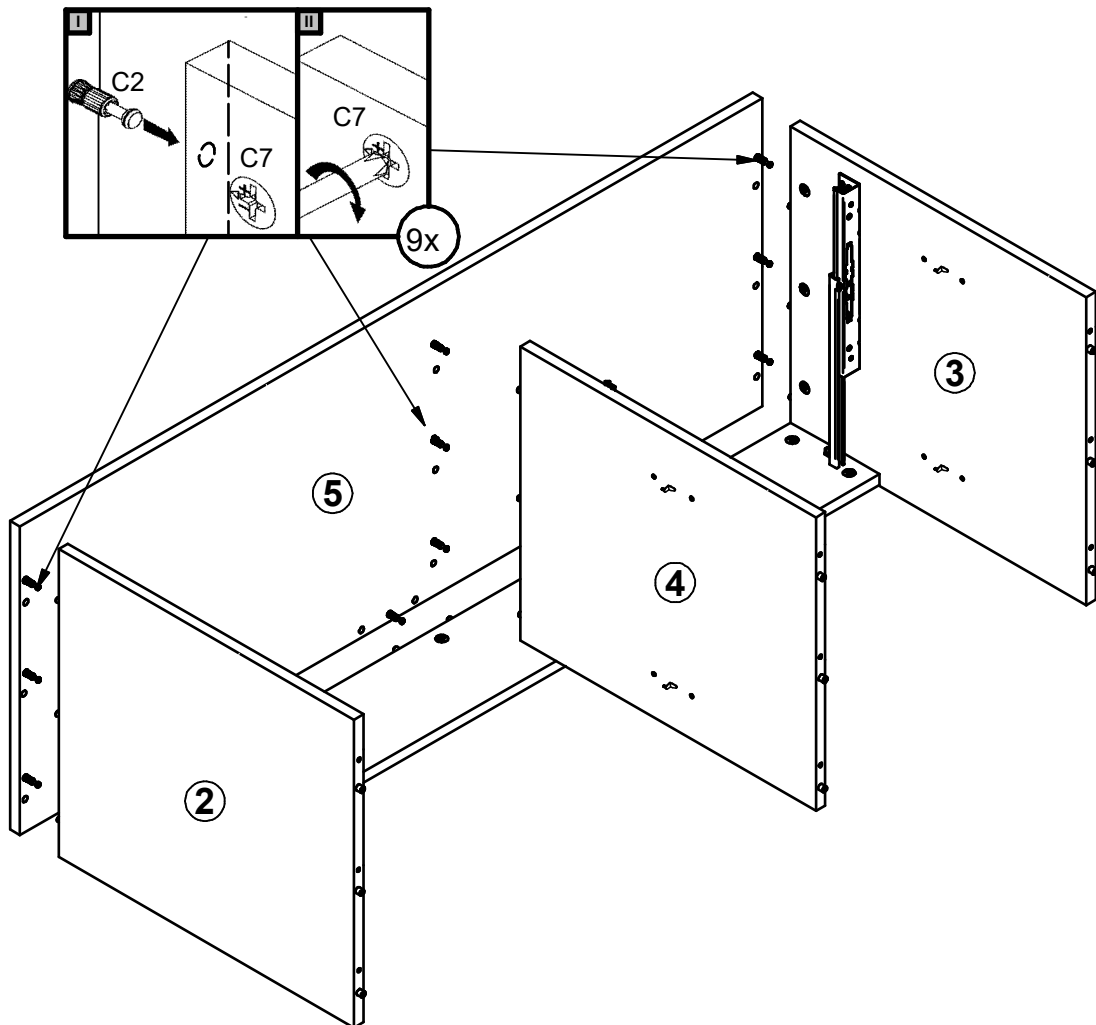


7



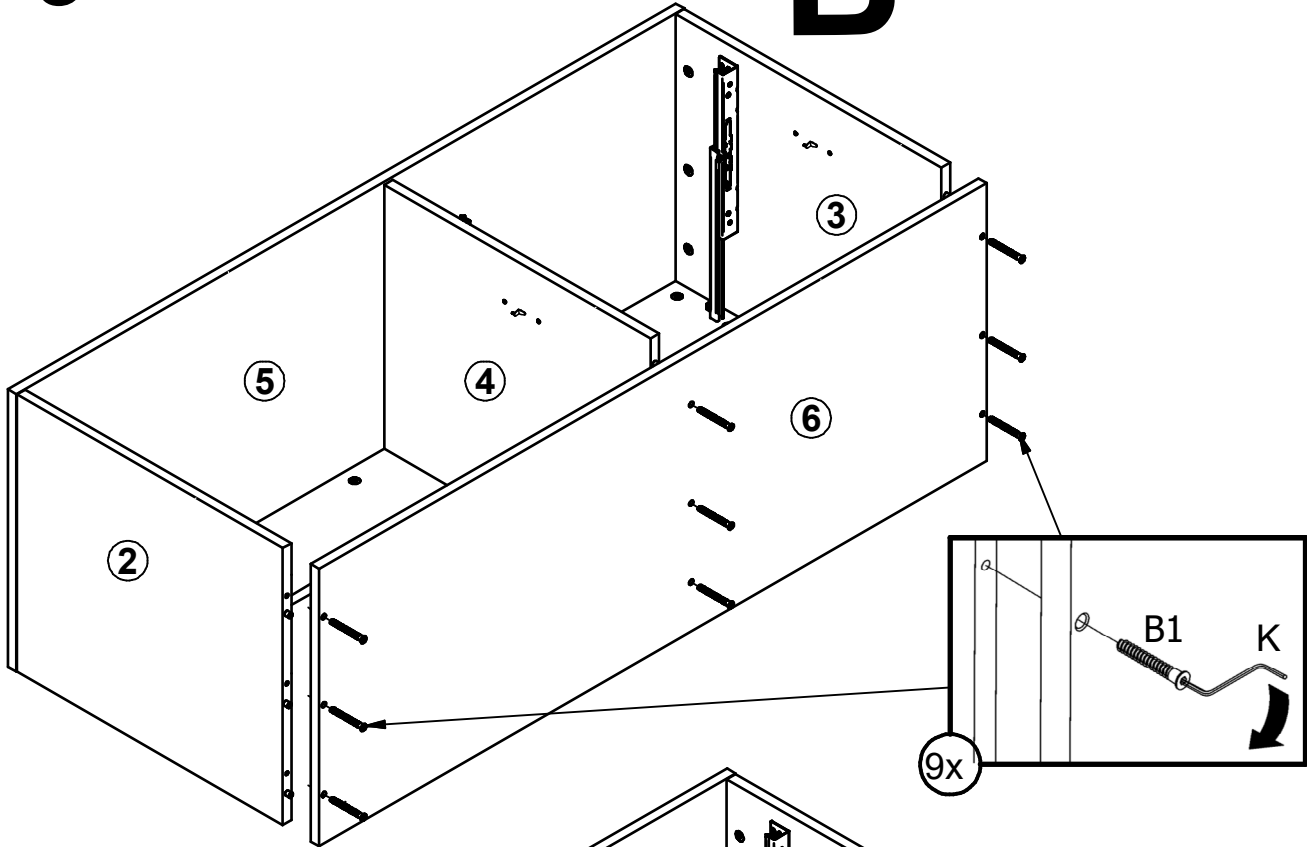
B

8

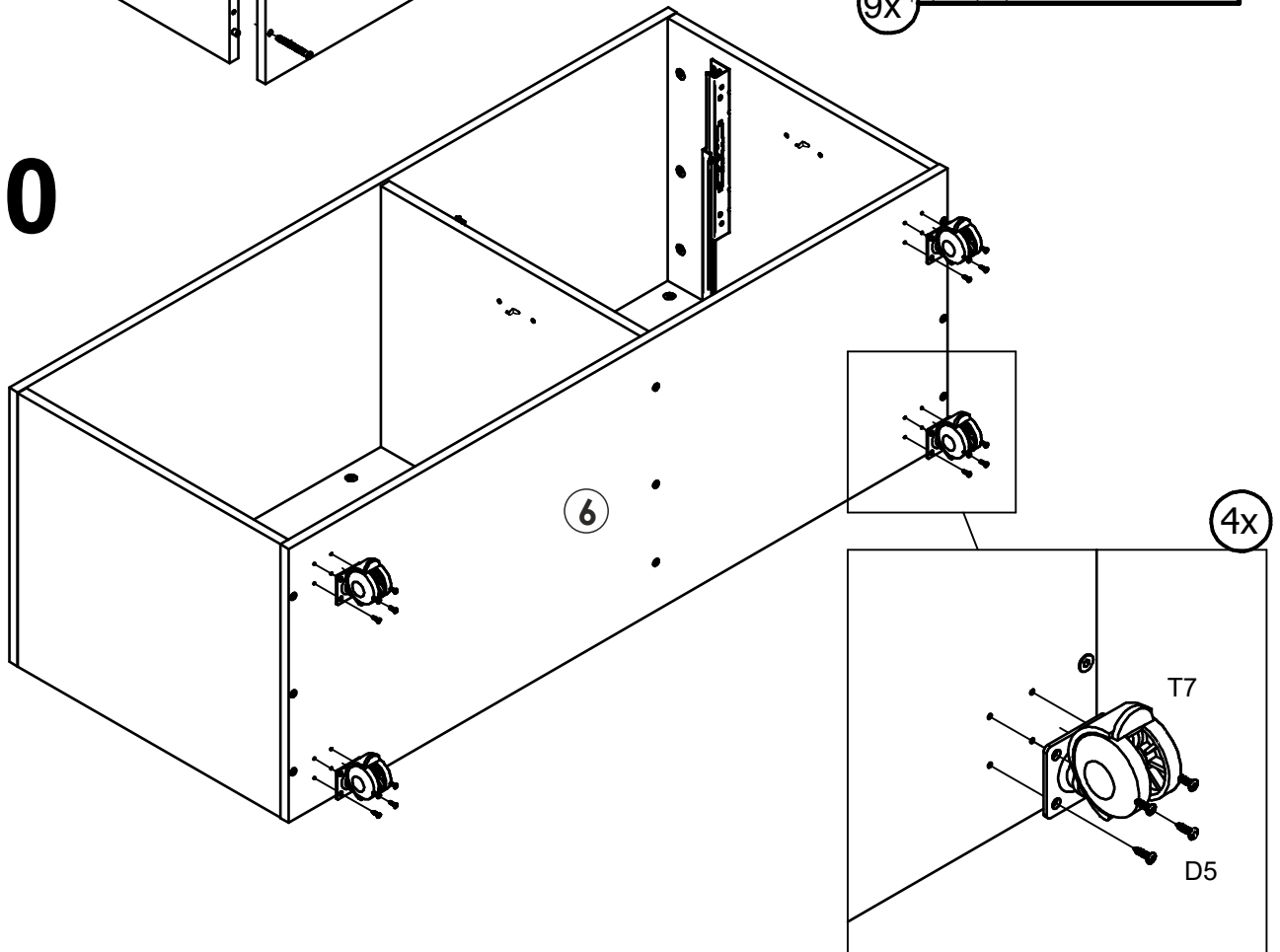


9

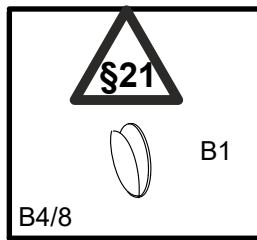
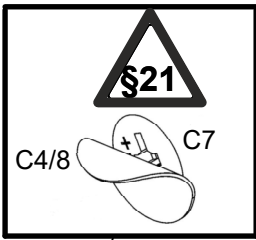
B



10







B

