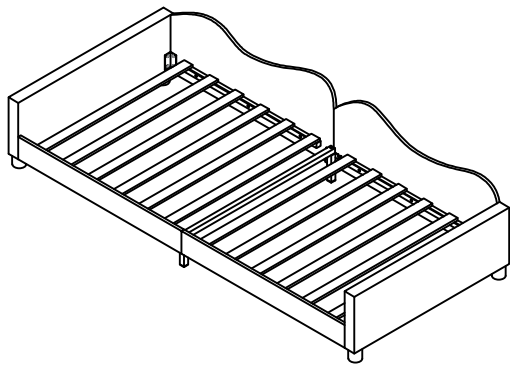


# ASSEMBLY INSTRUCTION

WF312479AAH / WF312479AAW / WF312479AAE

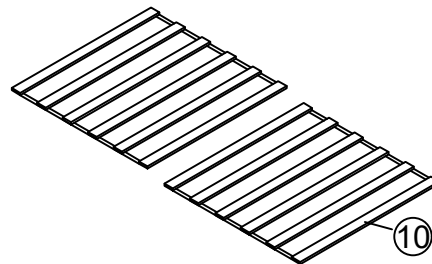
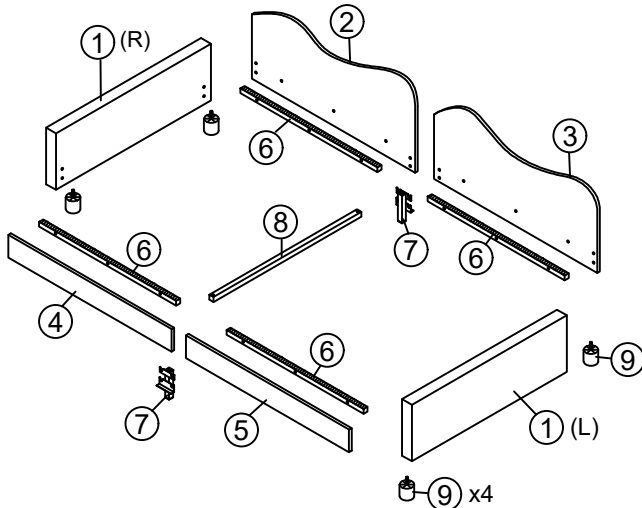







## TIPS

1. Please read the instructions fully before assembly. These instructions include important information which could ensure correct assembly. We have been working on providing high quality products for you. However, in the rare instance that your product is defective, missing parts or there are some issues, please don't hesitate to contact our customer service to submit parts requirements, assembly suggestion, or warranty claims, and we will give the best solution as soon as possible. If necessary, we need you to provide some more clear pictures of the issue.

2. Insert the screws in holes and tighten the screws, but not too tight, 70%~80% is ok, finally tighten all the screws. If some issues happened that some screws can not target to the hole or some parts are difficult to install, please adjust the tightness of the screws.

3. 2 people are recommended to finish



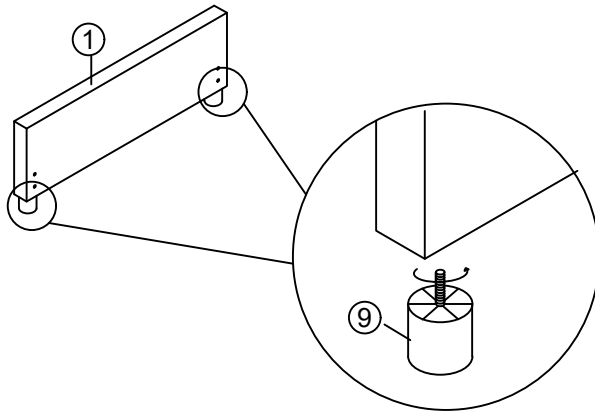
Parts List			Hardware List		
NO	ITEM	QTY	NO	ITEM	QTY
1	Armrest	2	A	Allen Key 	1
2	Siderails	1	B	Bolts (M8x40mm) 	14
3	Siderails	1	C	Two hole iron 	3
4	Siderails	1	D	Bolts (M8x18mm) 	30
5	Siderails	1	E	"7" Connector 	4
6	Side rails support bar	4			
7	Side rails support legs	2			
8	Cross bar	1			
9	Legs	4			
10	Slats	12			

Attention: Do not tighten the screws before completing the entire installation. If you have any difficulty with the installation process, please feel free to contact us.

## Step 1 x2

Fix the legs ⑨ to the Armrest ① .

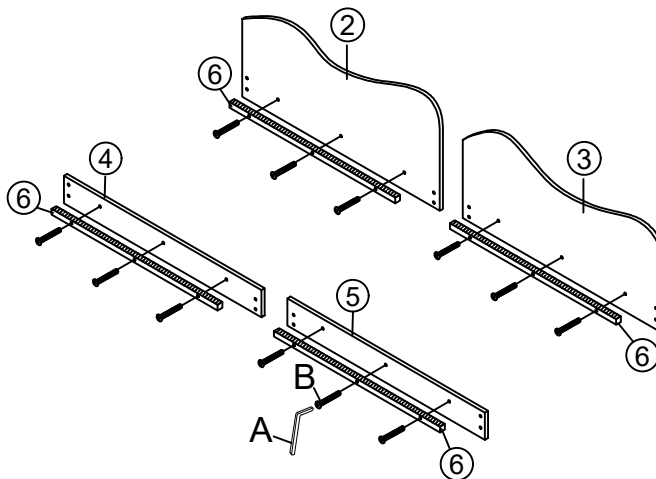
(Befestigen Sie die Beine ⑨ an der Armlehne ①. )





## Step 2

Connect Siderail support bar ⑥ to the Siderails ②, ③, ④ and ⑤ with Bolts B by using Allen key A.

(Verbinden Sie die Seitengitter-Stützstange ⑥ mit den Schrauben B und dem Inbusschlüssel A mit den Seitengittern ②, ③, ④ und ⑤. )

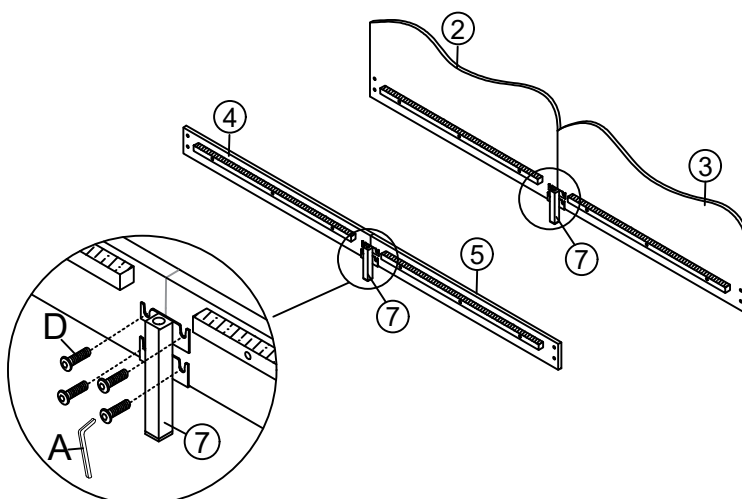




A Allen Key	B Bolts x 12
	 M8X40mm

## Step 3

Fix the side rails support leg ⑦ to the assembled side rail with Bolts D by using Allen key A.

(Befestigen Sie das Stützbein der Seitengitter ⑦ mit den Schrauben D und dem Inbusschlüssel A am zusammengebauten Seitengitter. )

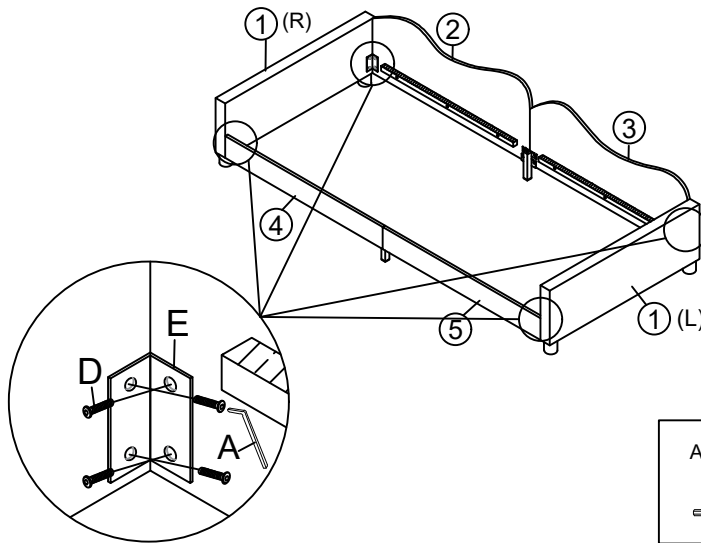





Allen Key	D Bolts x 8
	 M8X18mm

## Step 4

Fix the assembled side rail to the Armrest ① with Bolts D and "7" Connector E by using Allen key A.

(Befestigen Sie die zusammengebaute Seitenschiene mit den Schrauben D und dem "7"-Anschluss E unter Verwendung des Inbusschlüssels A an der Armlehne ①.)



Allen Key	D Bolts x 16 M8X18mm	E "7" Connector x 4
		

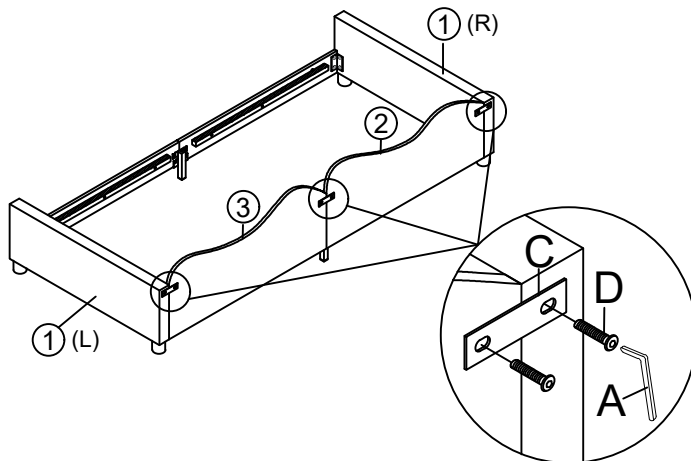
## Step 5




Fix the Siderails ② and ③ together with Bolts D and Two hole iron C by using Allen key A.

Fix the Siderails ② and ③ to the Armrest with Bolts D and Two hole C iron by using Allen key A.

(Befestigen Sie die Seitenschiene ② und ③ zusammen mit den Schrauben D und dem Zweilocheisen C unter Verwendung des Inbusschlüssels A.

Befestigen Sie die Seitenschiene ② und ③ mit den Schrauben D und dem Zweilocheisen C unter Verwendung des Inbusschlüssels A an der Armlehne)

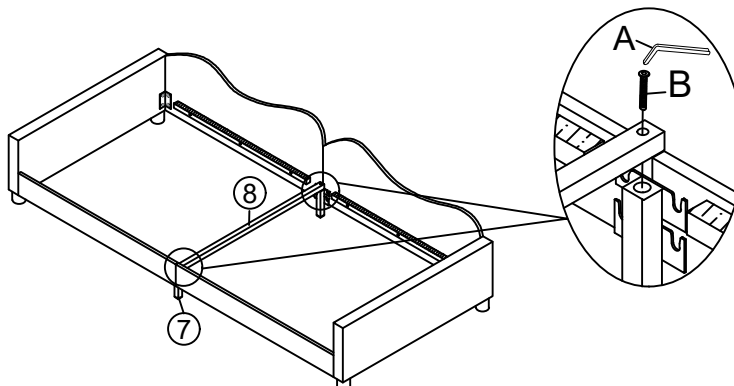




Allen Key	C Two hole iron x 3	D Bolts x 6 M8X18mm
		

## Step 6

Fix the cross bar ⑧ to the side rails support legs ⑦ with Bolts B by using Allen key A.

(Befestigen Sie die Querstange ⑧ mit den Schrauben B und dem Inbusschlüssel A an den Stützbeinen der Seitenschiene ⑦.)



Allen Key	B Bolts x 2 M8X40mm
	

## Step 7

Fix the slats ⑩ to the side support bar ⑥, then assembly is finished. Please enjoy your bed.

(Befestigen Sie die Latten ⑩ an der seitlichen Stützstange ⑥, dann ist die Montage abgeschlossen. Genießen Sie Ihr Bett. )

