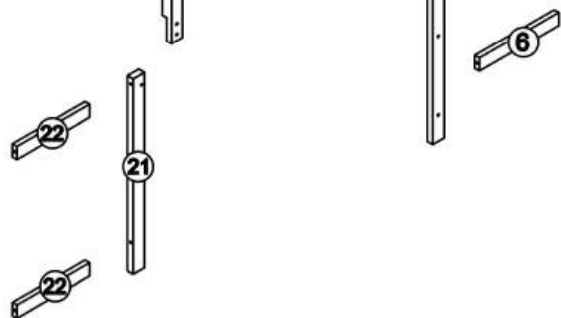
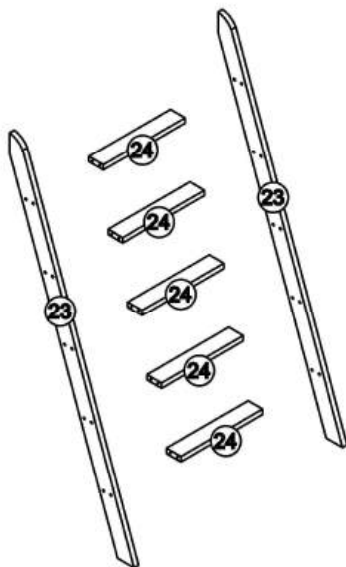
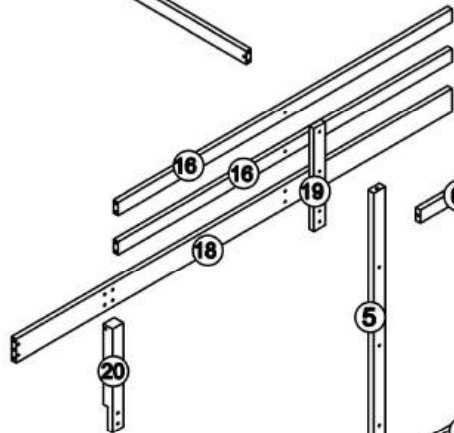
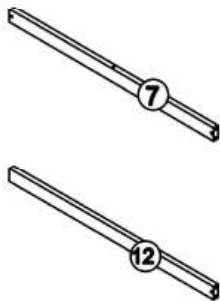
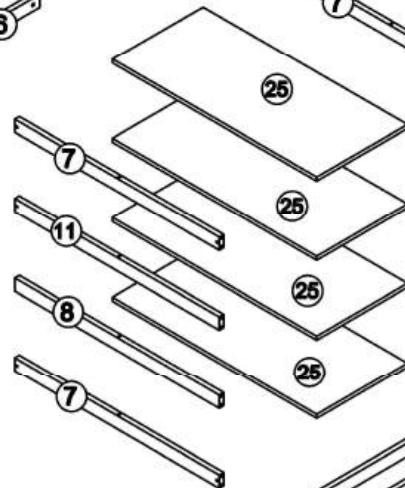
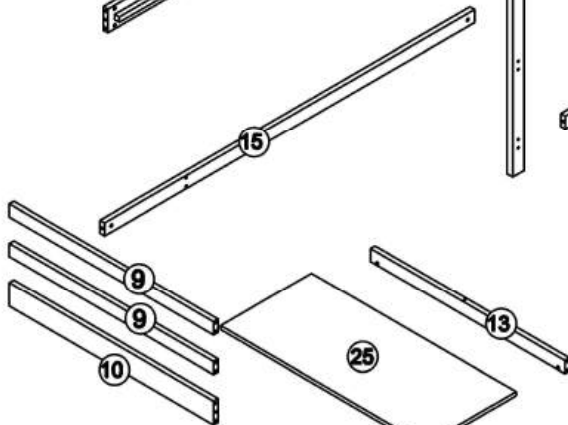
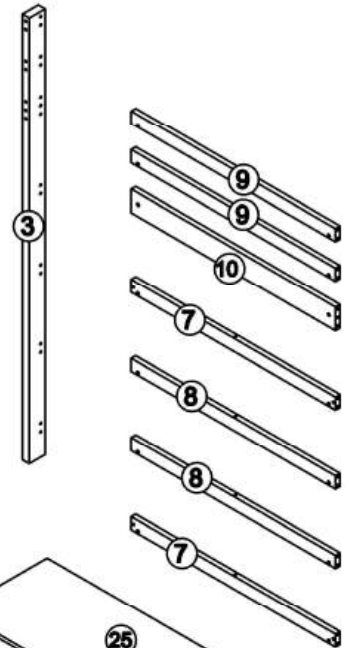
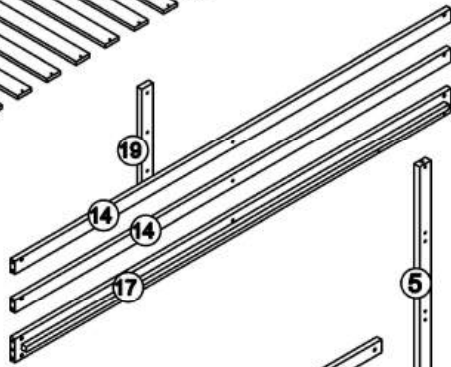
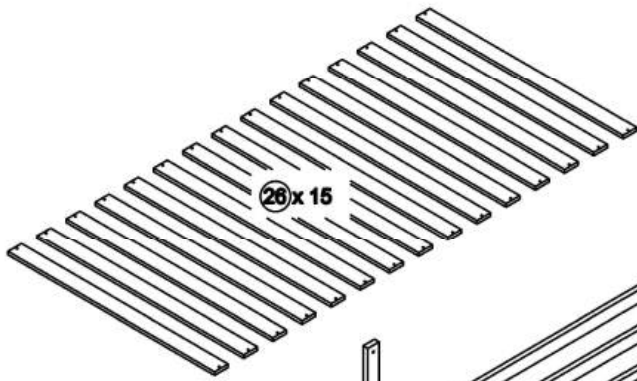
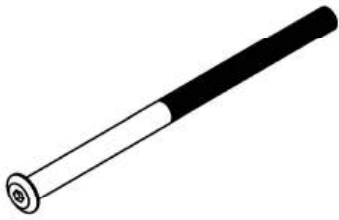




# Parts List



# HardwareList



**M6 x 110**  
**A x 14pcs**



**M6 x 90**  
**B x 4pcs**



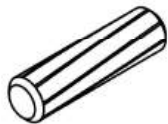
**M6 x 70**  
**C x 33pcs**



**M6 x 60**  
**D x 13pcs**



**E x 63pcs**



**Φ8 x 30**  
**F x 64pcs**



**M5 x 50**  
**G x 24pcs**



**M6 x 30**  
**H x 10pcs**



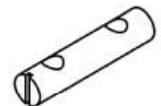
**J x 10pcs**



**3.5 x 30**  
**K x 30pcs**



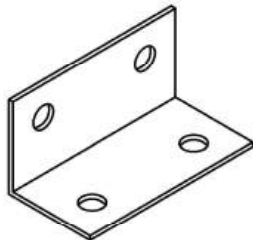
**3.5 x 14**  
**L x 80pcs**



**M x 2pcs**



**M6 x 15**  
**N x 4pcs**



**P x 20pcs**



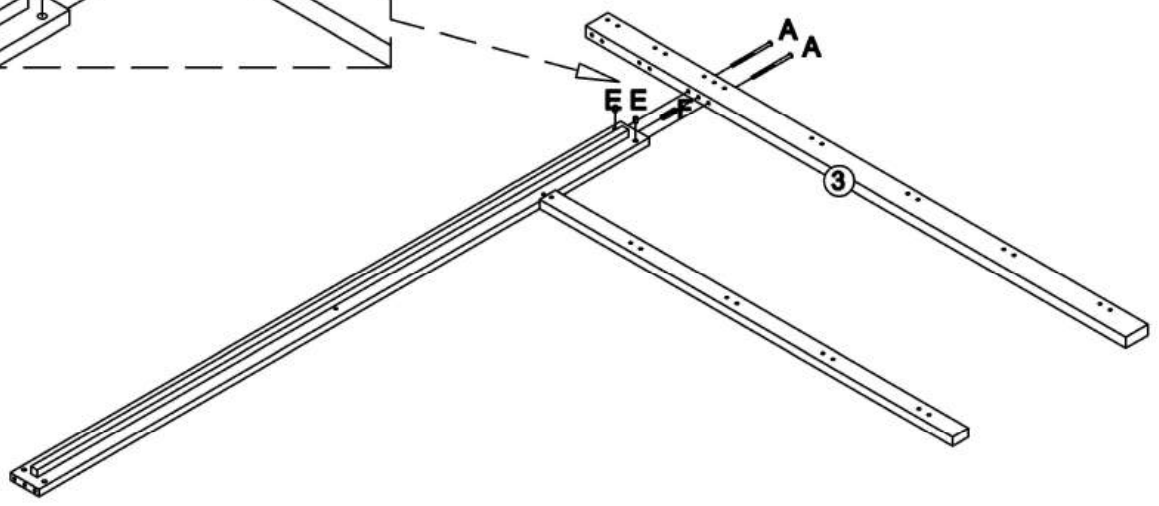
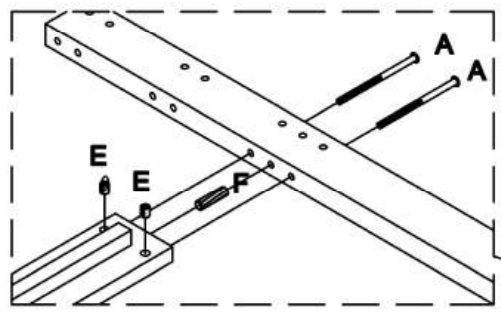
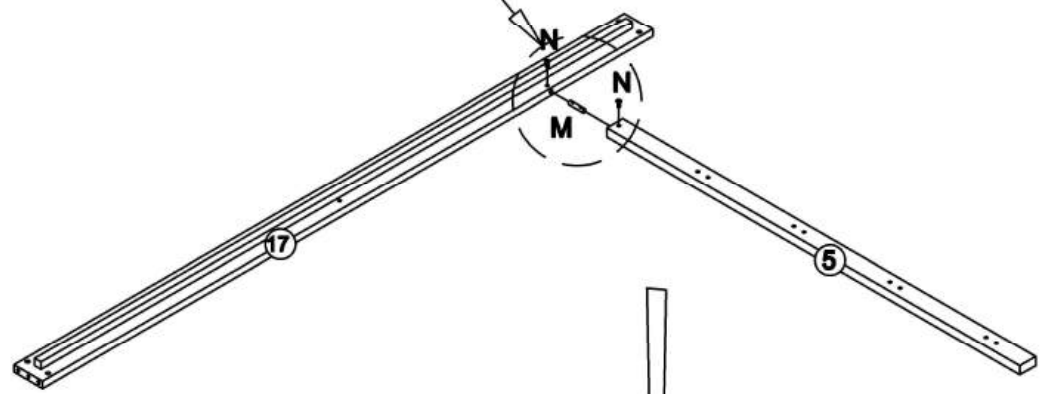
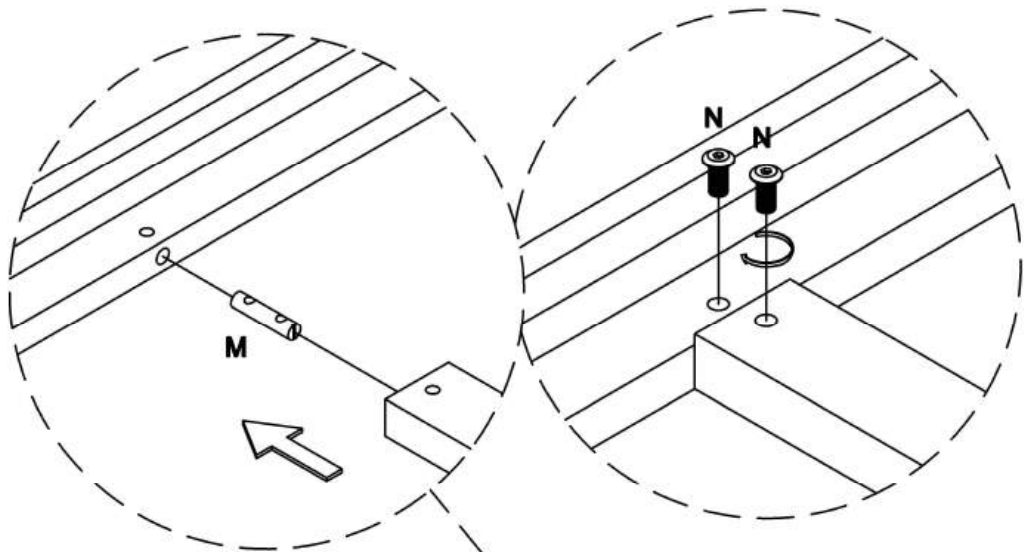
**M4**  
**Q x 1pc**



**M3**  
**R x 1pc**

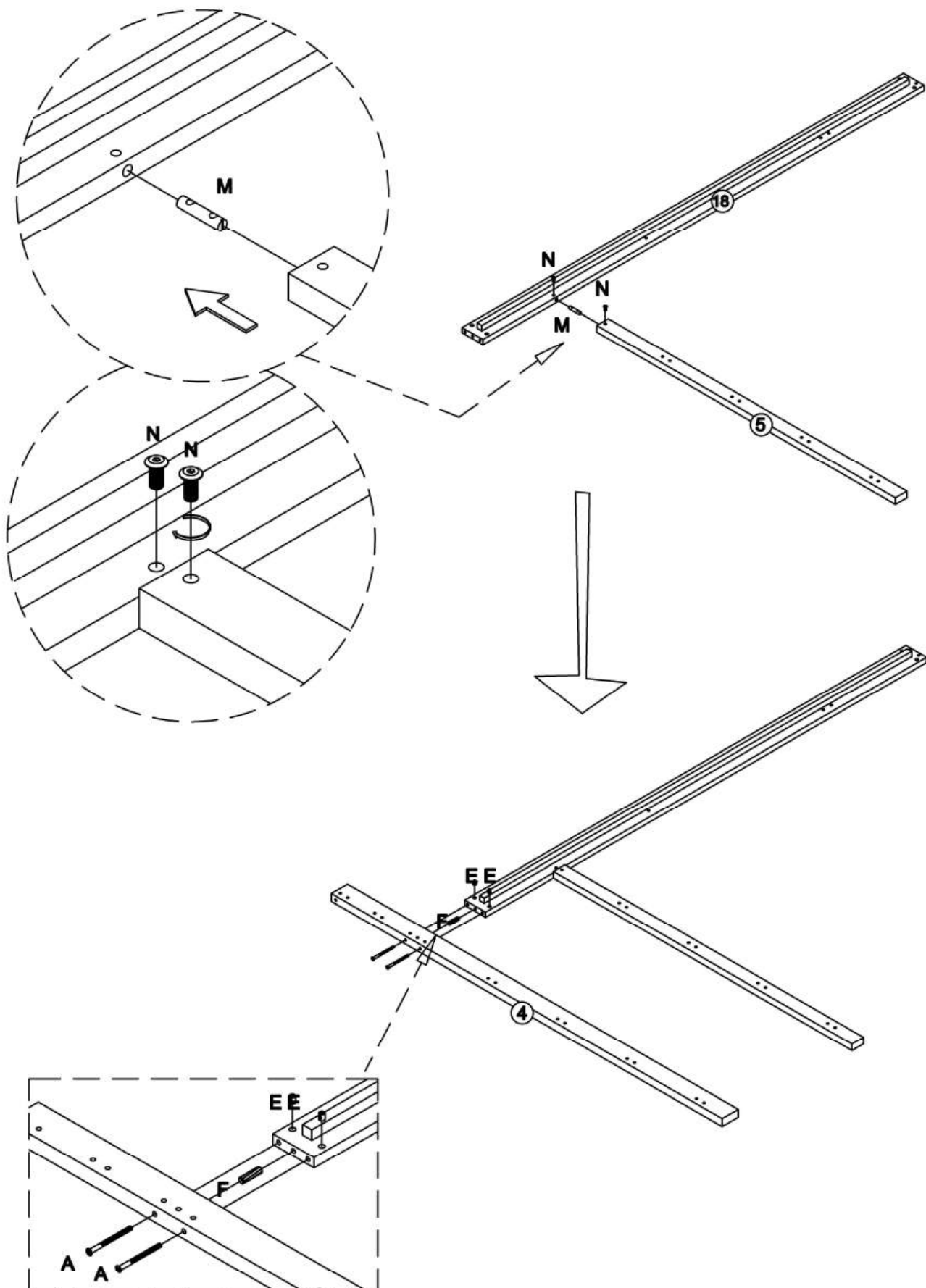
Step 1

Ax2 Ex2 Fx1 Mx1 Nx2



# Step 2

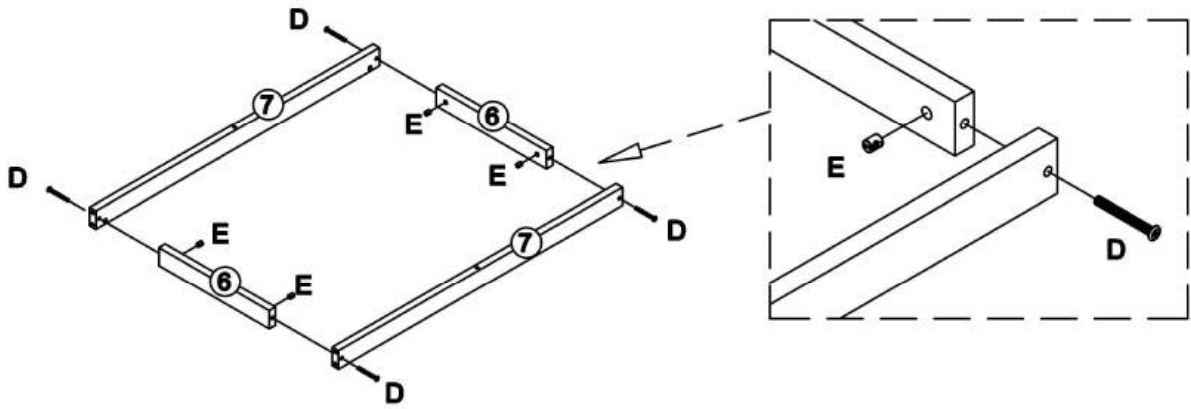
Ax2 Ex2 Fx1 Mx1 Nx2



Step 3

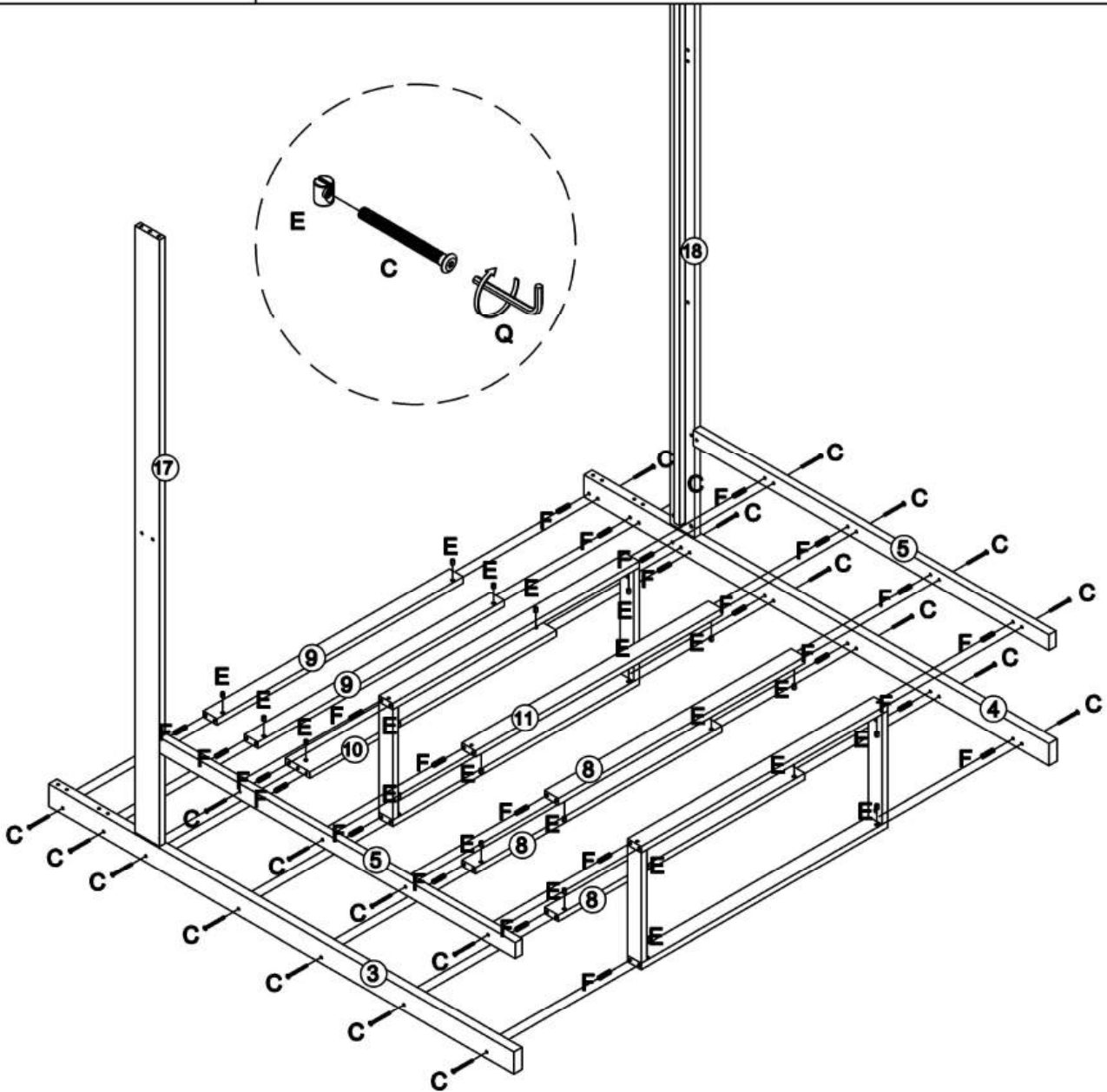
D x 8 E x 8

x 2



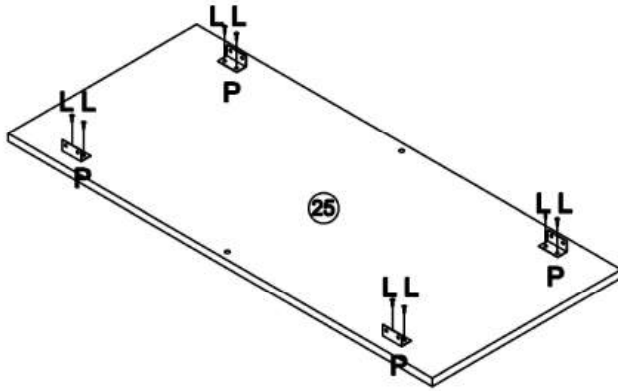
Step 4

C x 22 E x 22 F x 24



**Step 5**

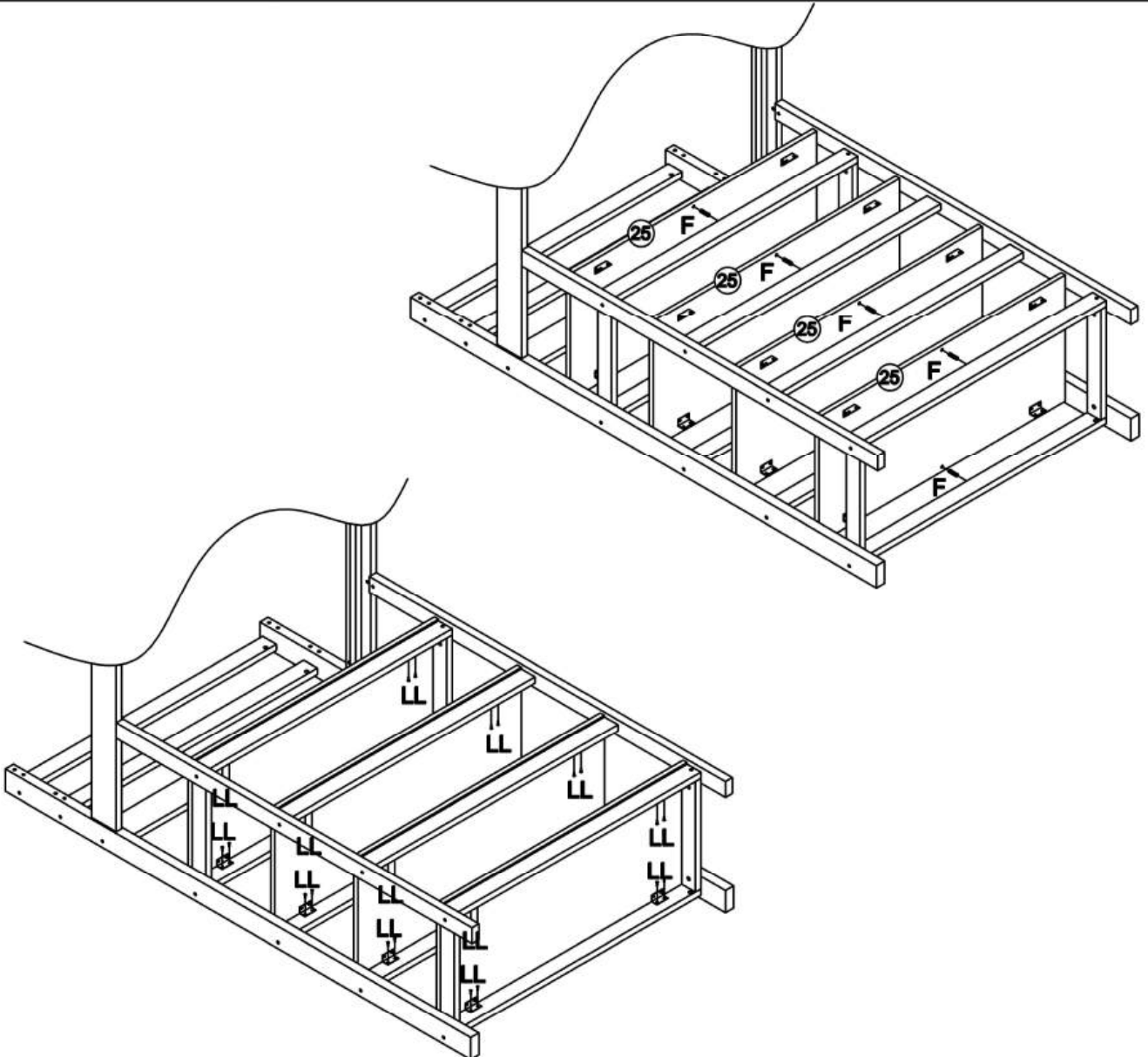
**L x 40 P x 20**



**x 5**

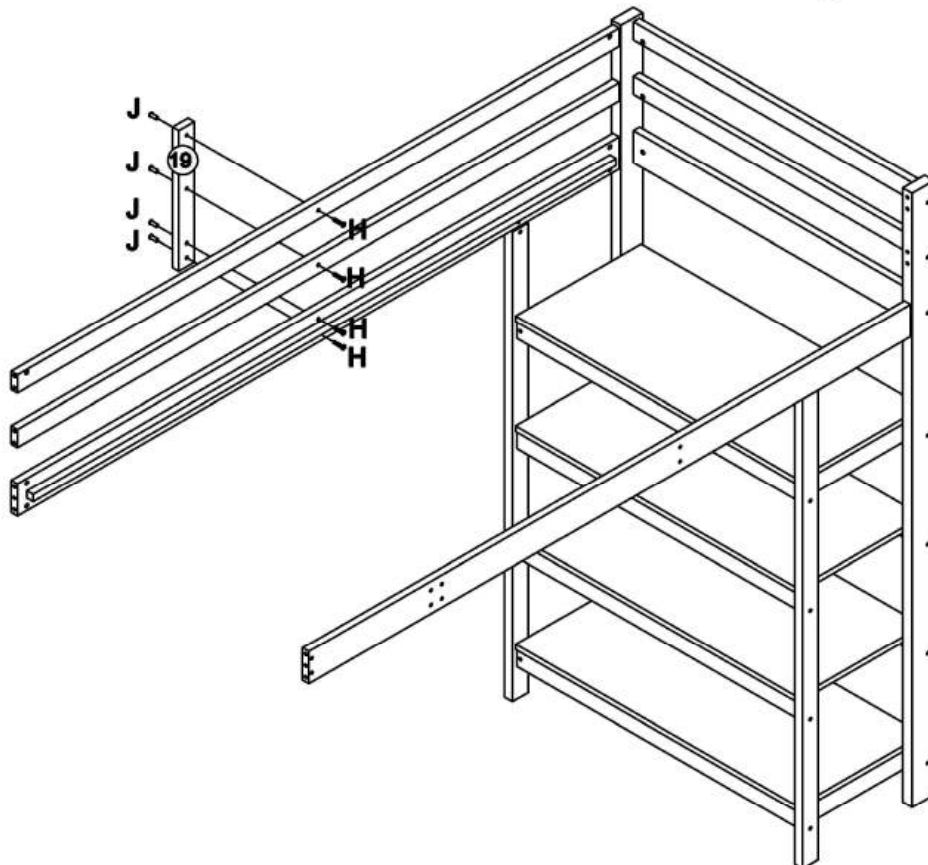
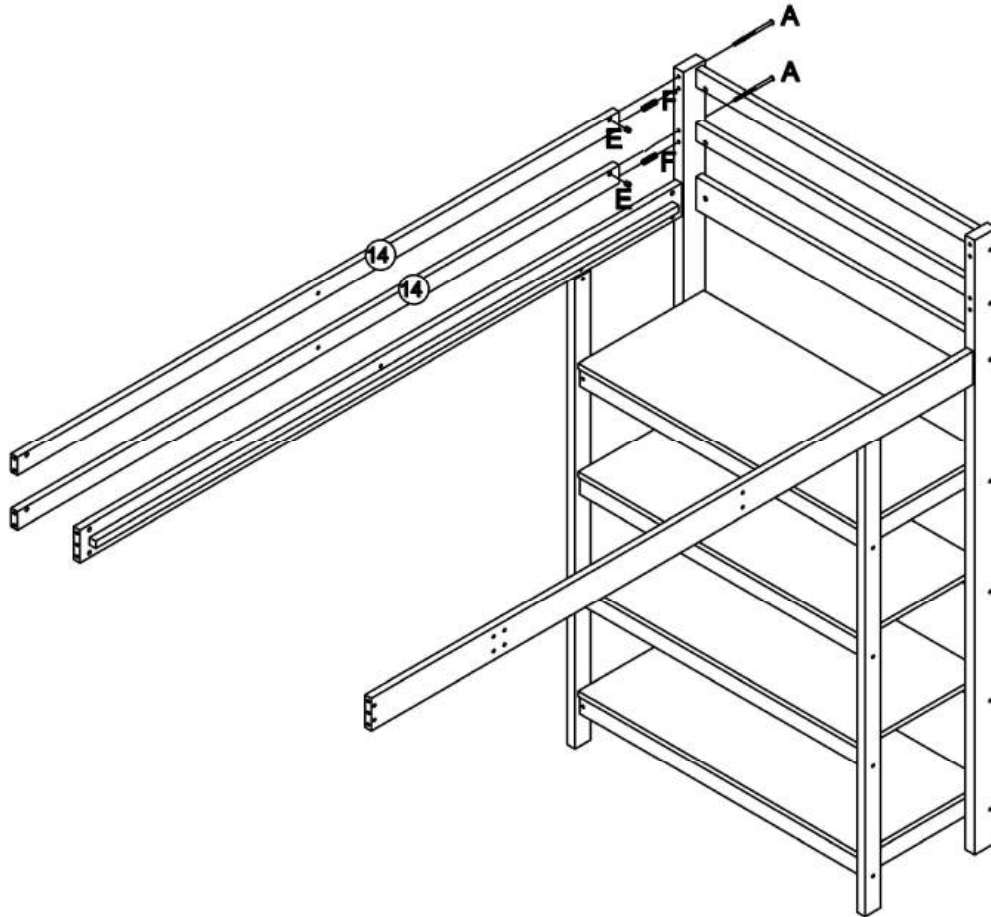
**Step 6**

**F x 8 L x 32**



**Step 7**

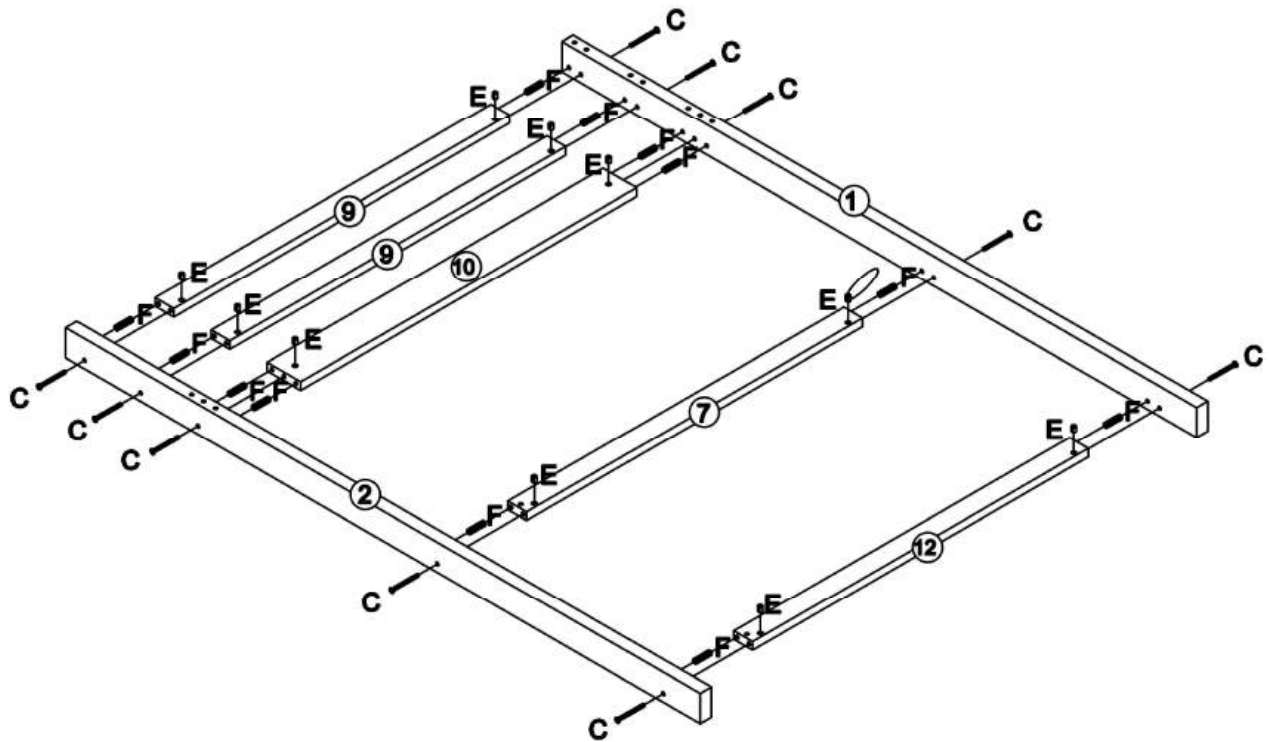
**A x 2 E x 2 F x 2 H x 4 J x 4**





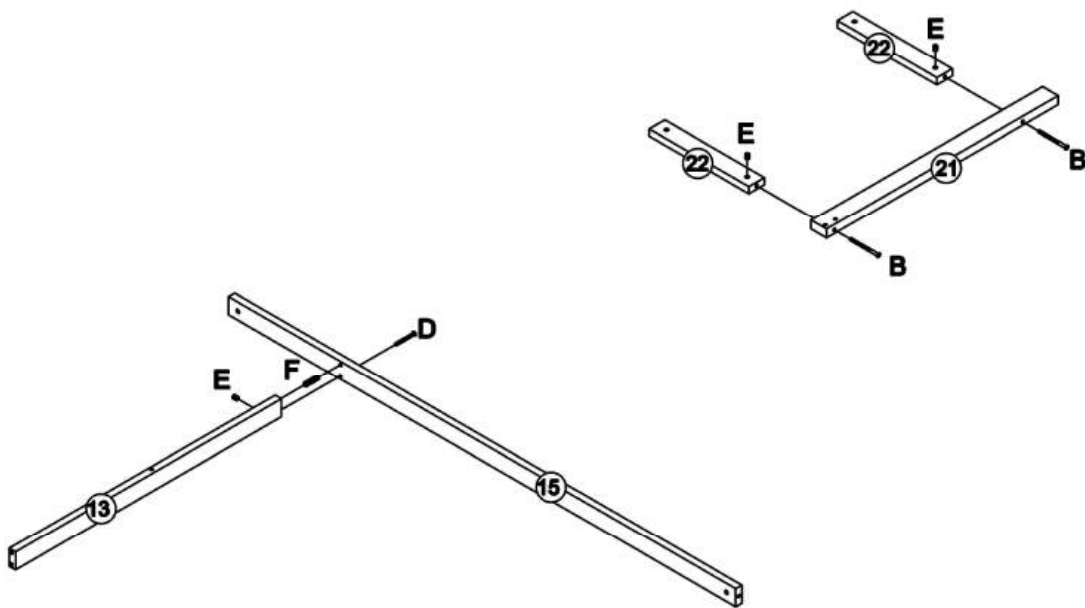
**Step 8**

**C x 10 E x 10 F x 12**



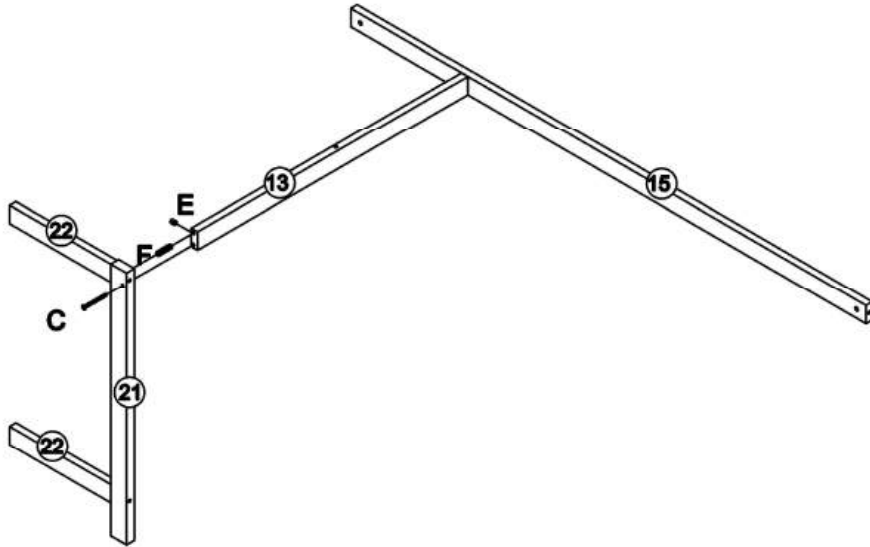
**Step 9**

**B x 2 D x 1 E x 3 F x 1**



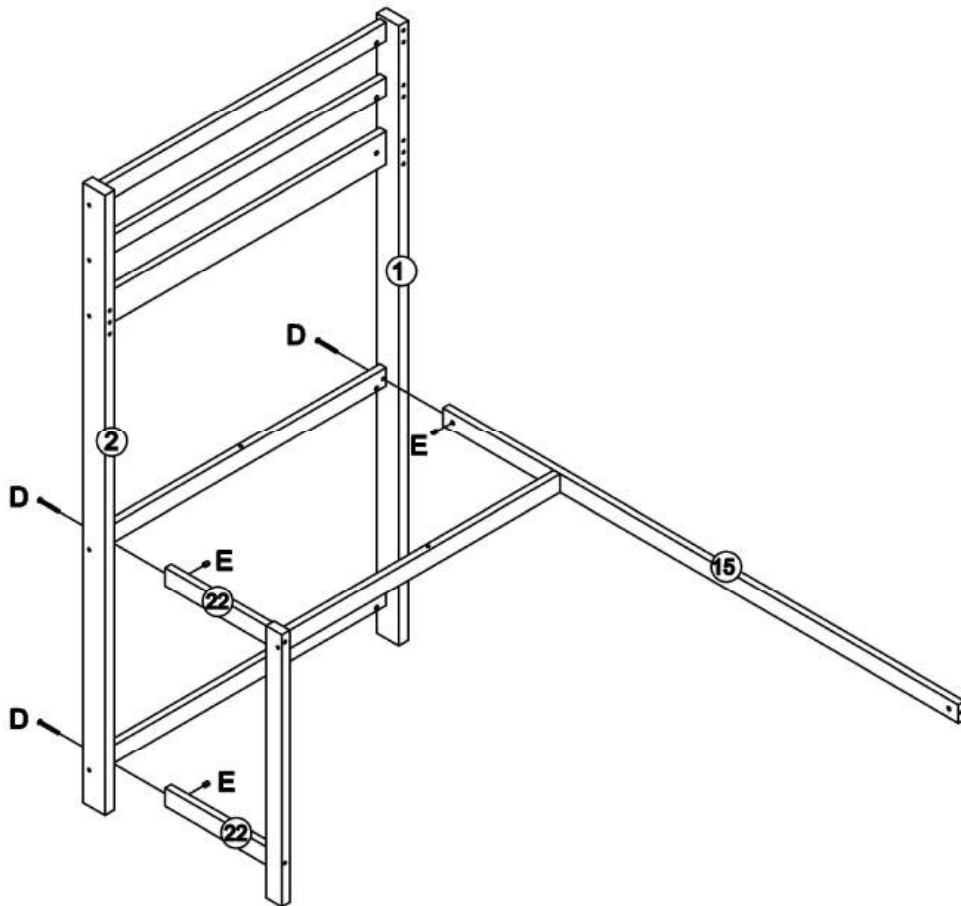
Step 10

C x 1 E x 1 F x 1



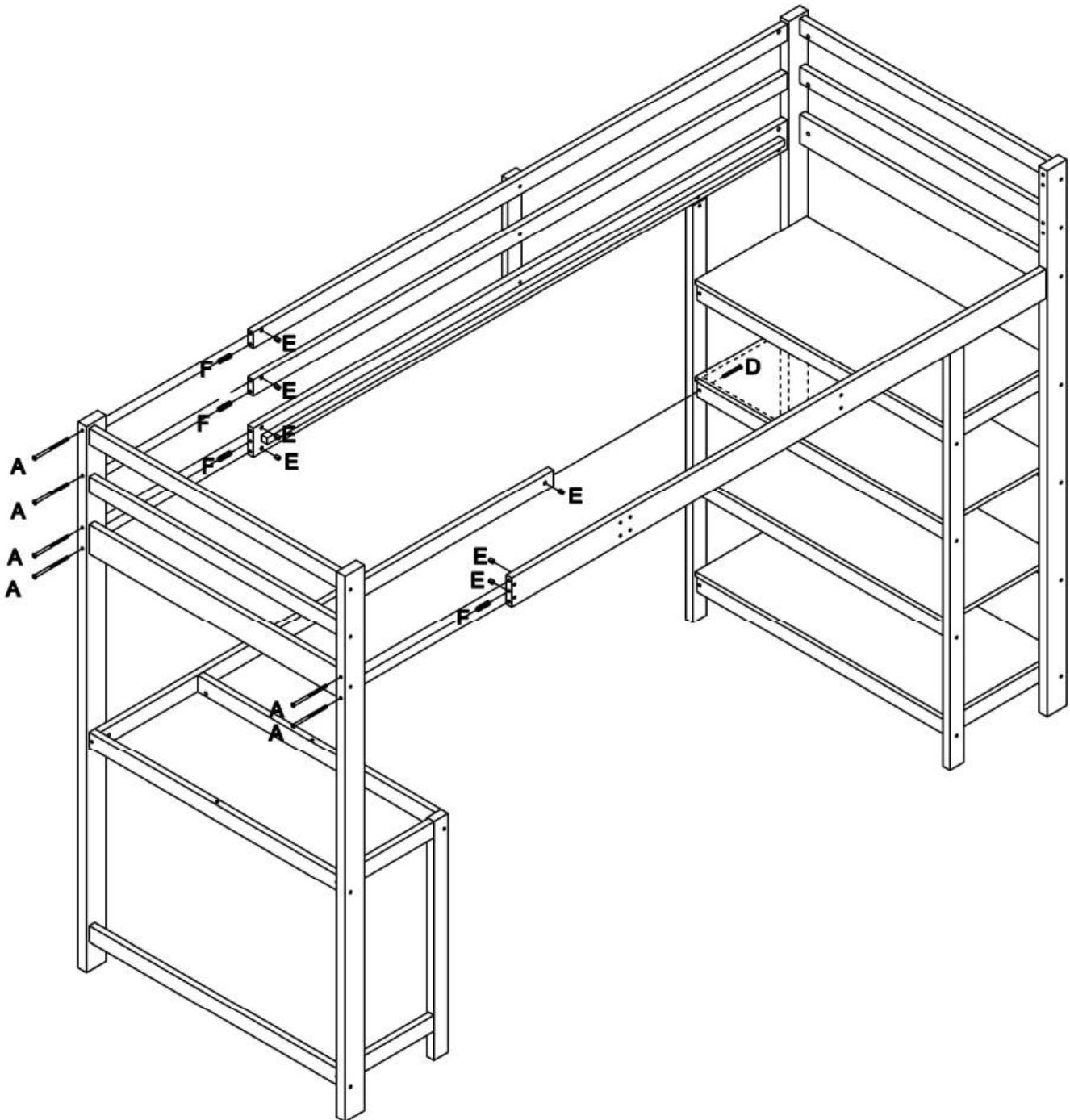
Step 11

D x 3 E x 3



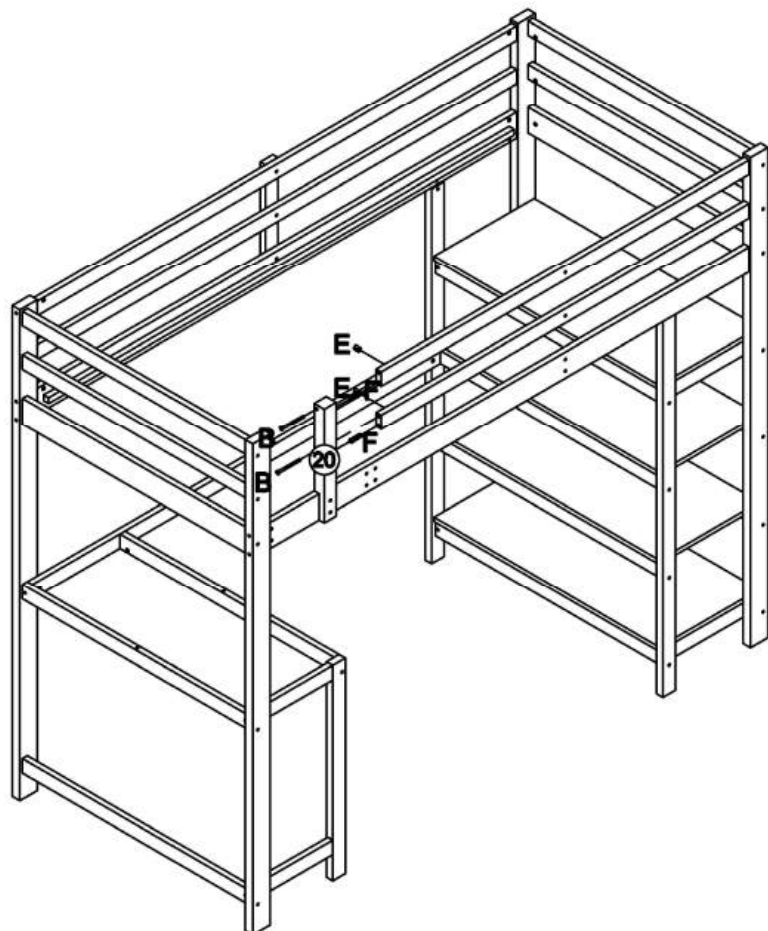
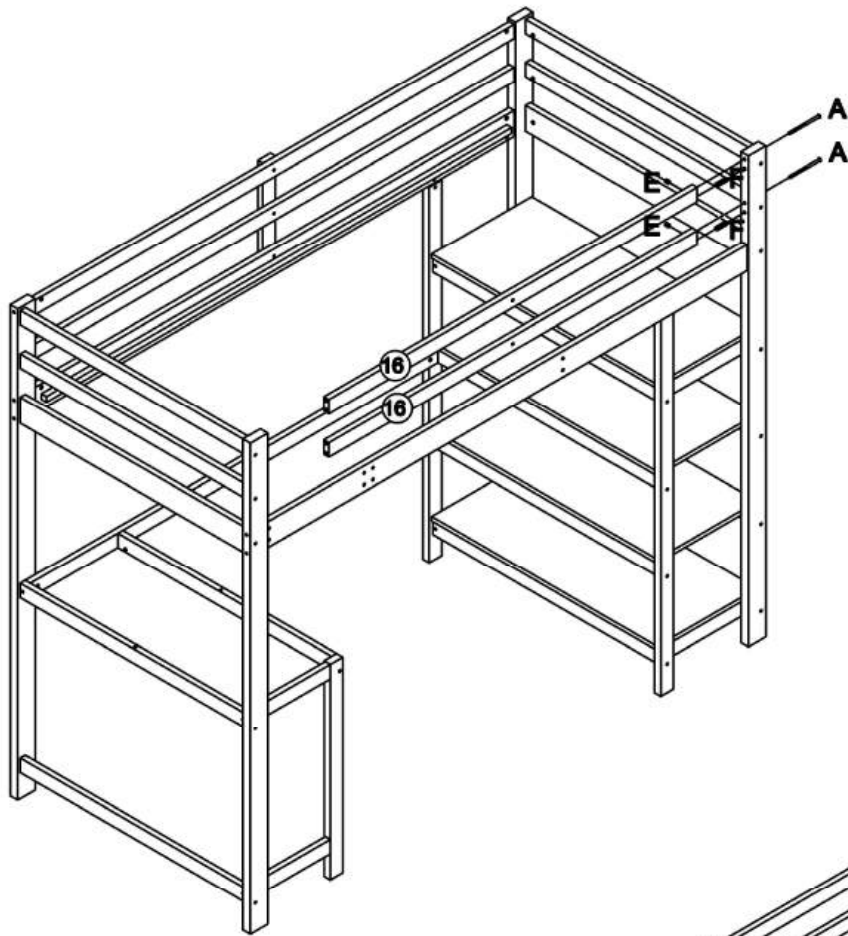
Step 12

A x 6 D x 1 E x 7 F x 4



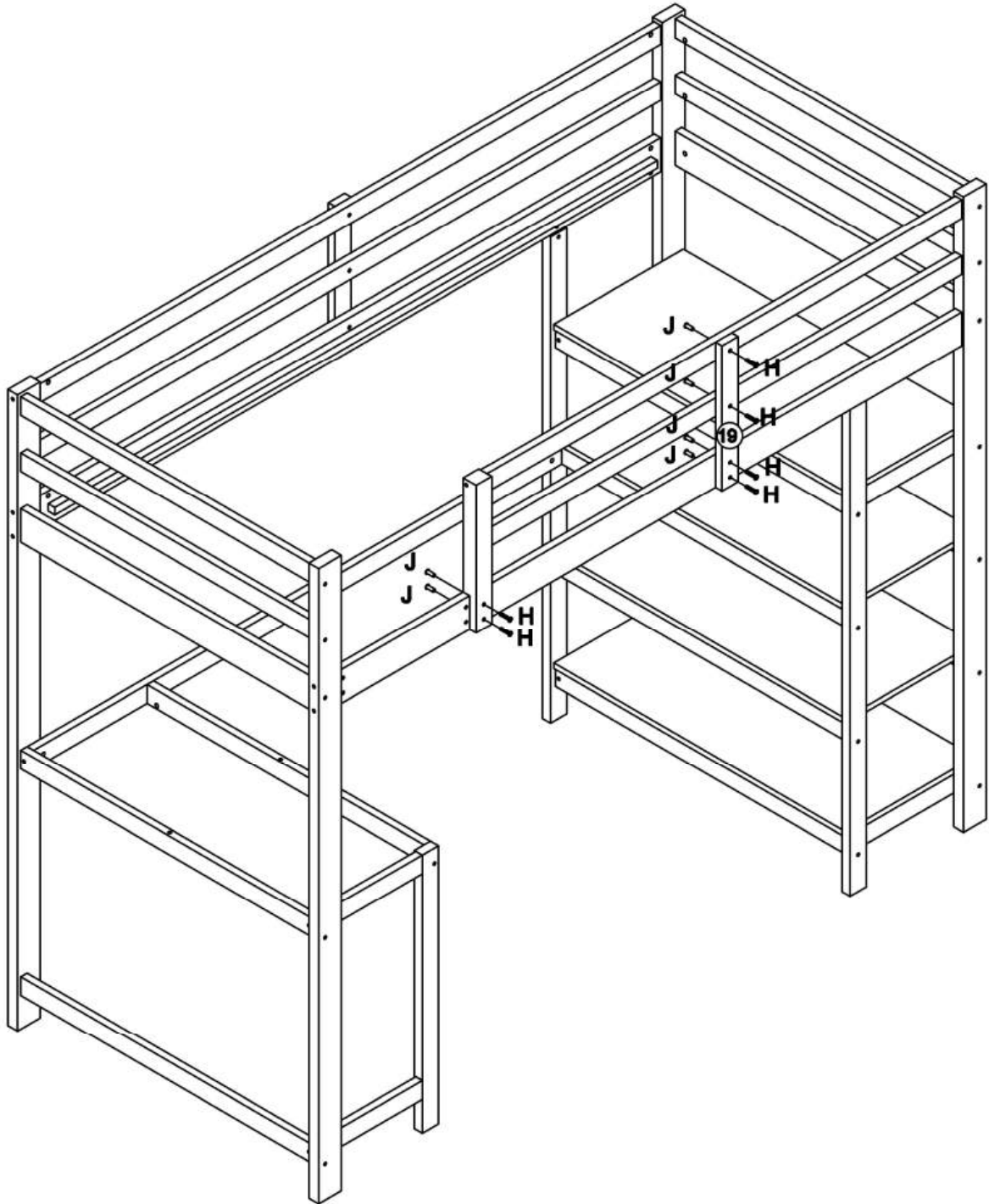
**Step 13**

**A x 2 B x 2 E x 3 F x 4**



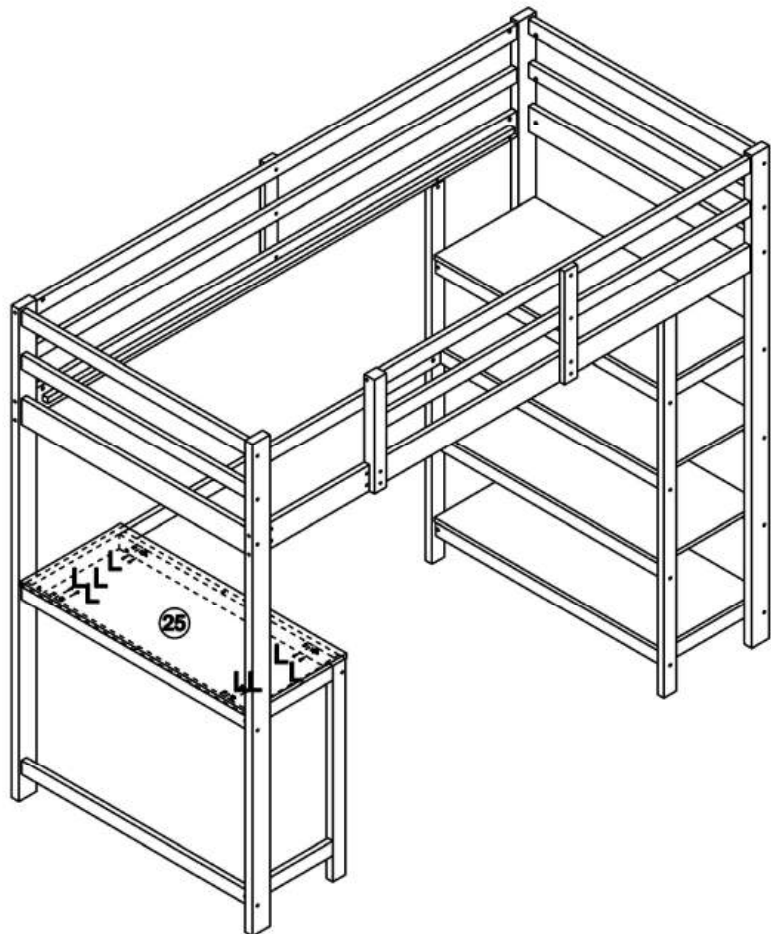
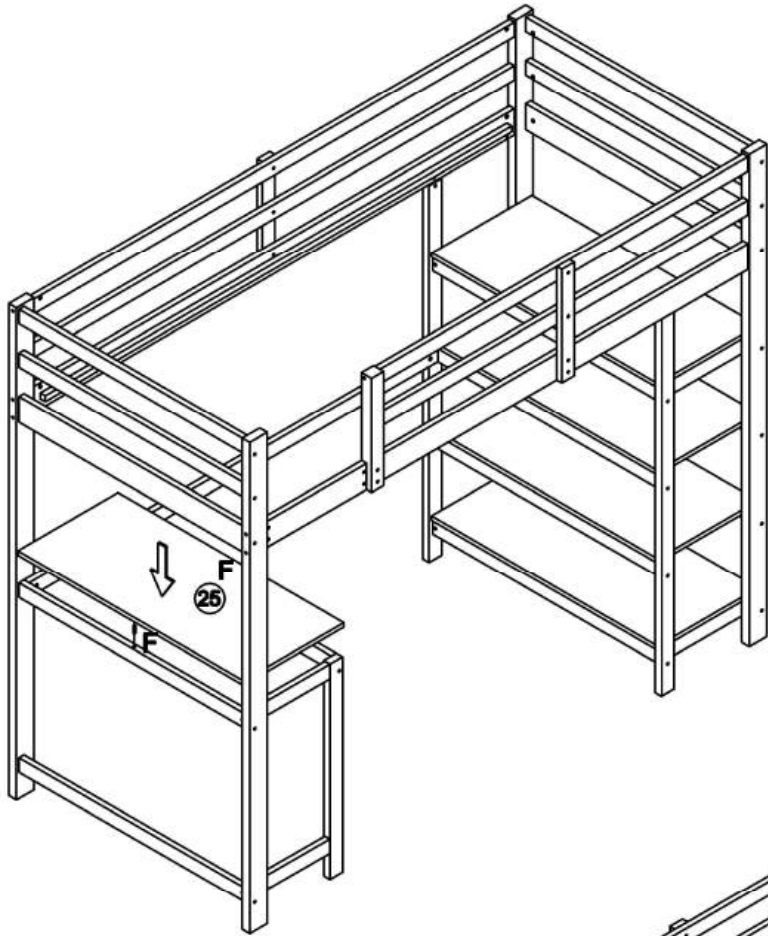
**Step 14**

**H x 6 J x 6**



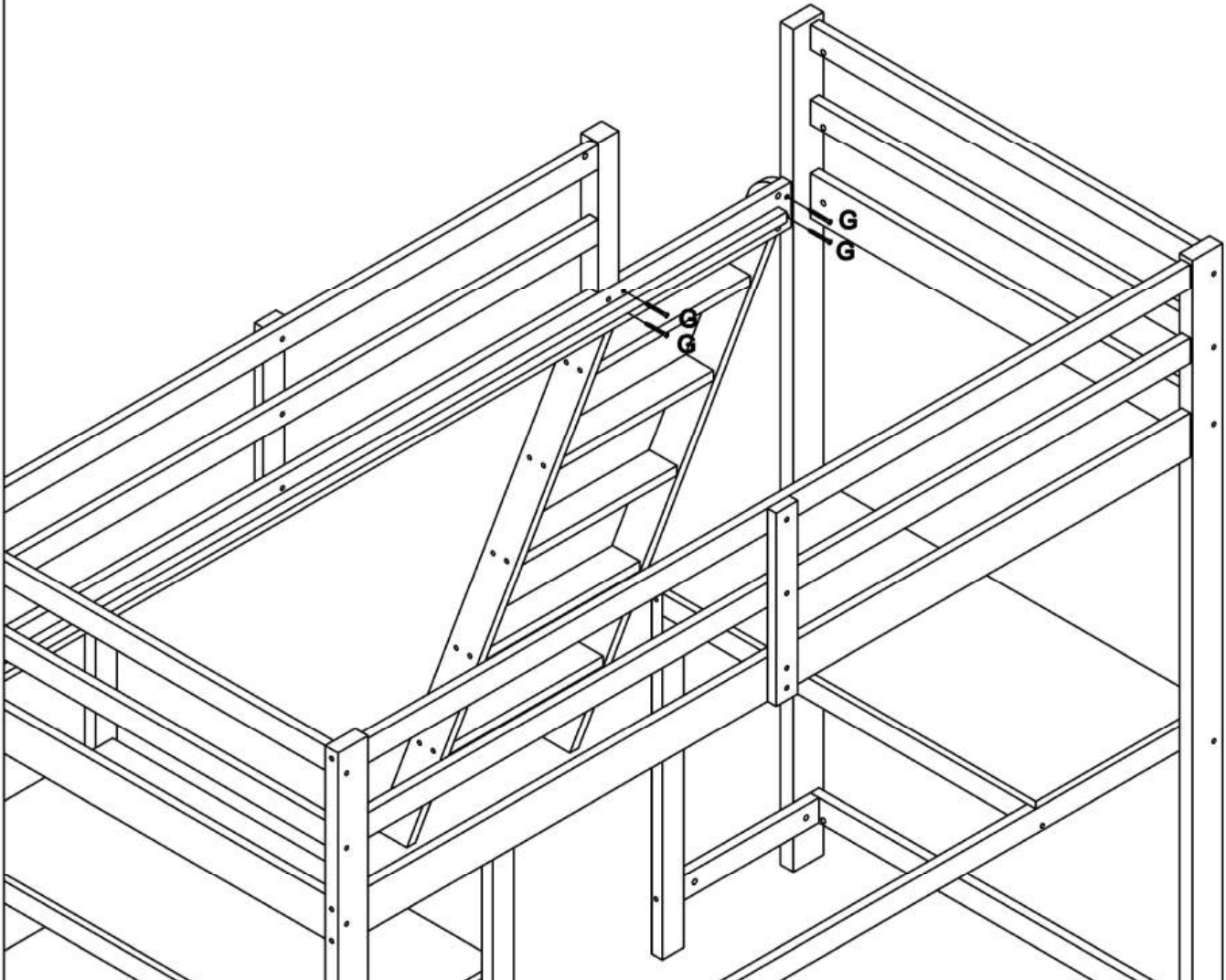
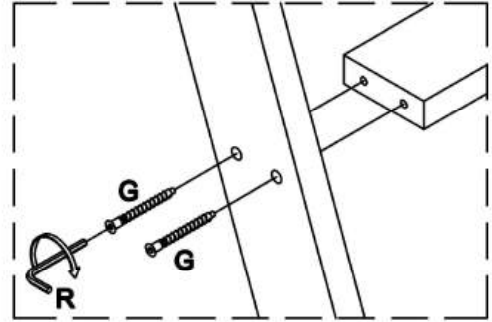
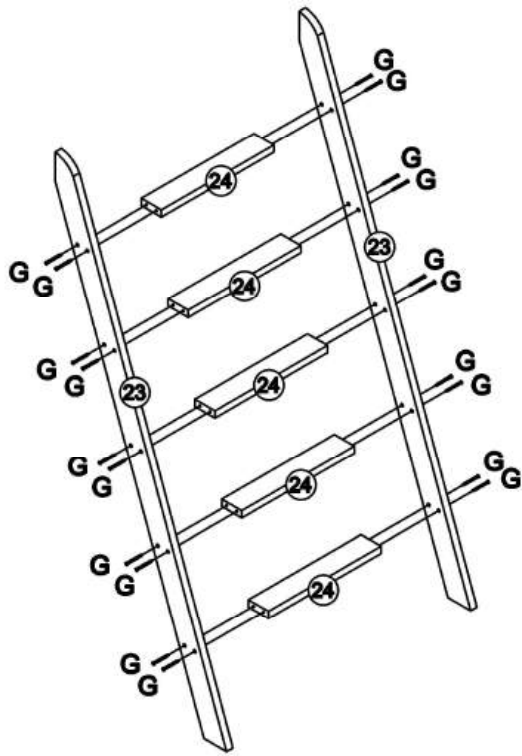
Step 15

F x 2 L x 8



Step 16

G x 24



Step 17

K x 30

