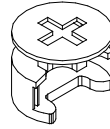


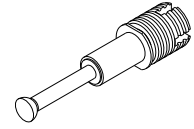
A - 22



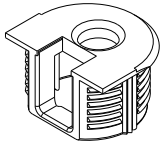
B - 16



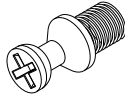
C - 12



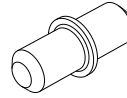
D - 12



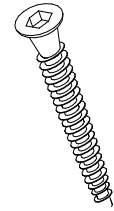
E - 20



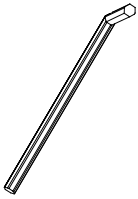
F - 20



G - 8



H(D8 L50) - 12



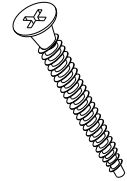
I - 1



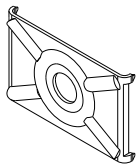
K-(16mm)-67



L-(20mm)-37



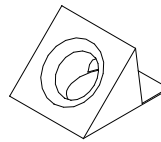
M-(35mm)-2



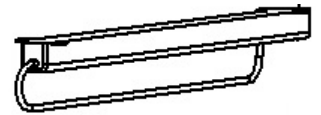
Q - 10



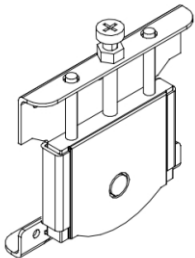
O - 10



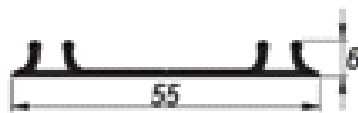
P - 20



S - 1

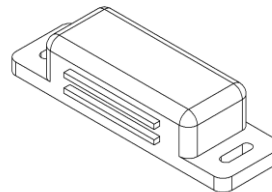


V - 8

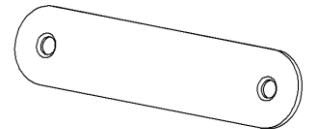


L=1162 mm

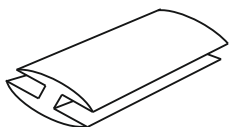
W - 2



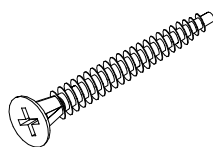
T - 2



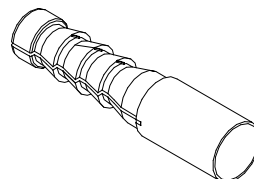
R - 2



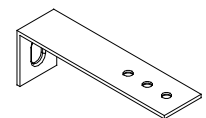
HP - 1



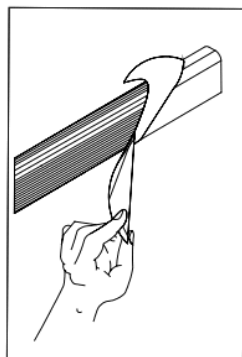
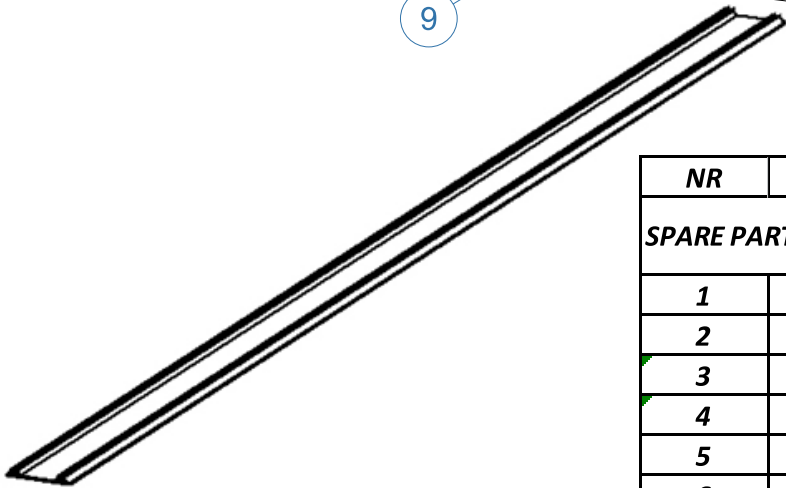
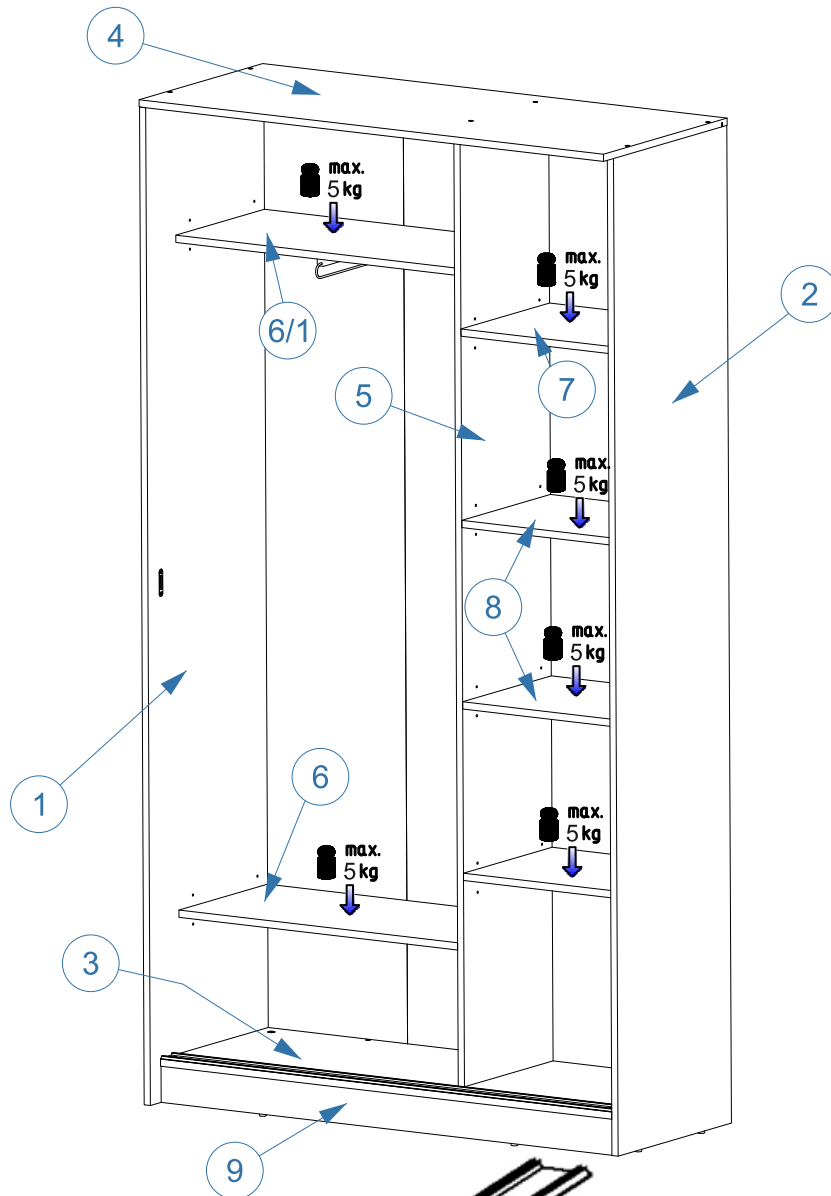
Z(6x60) - 2




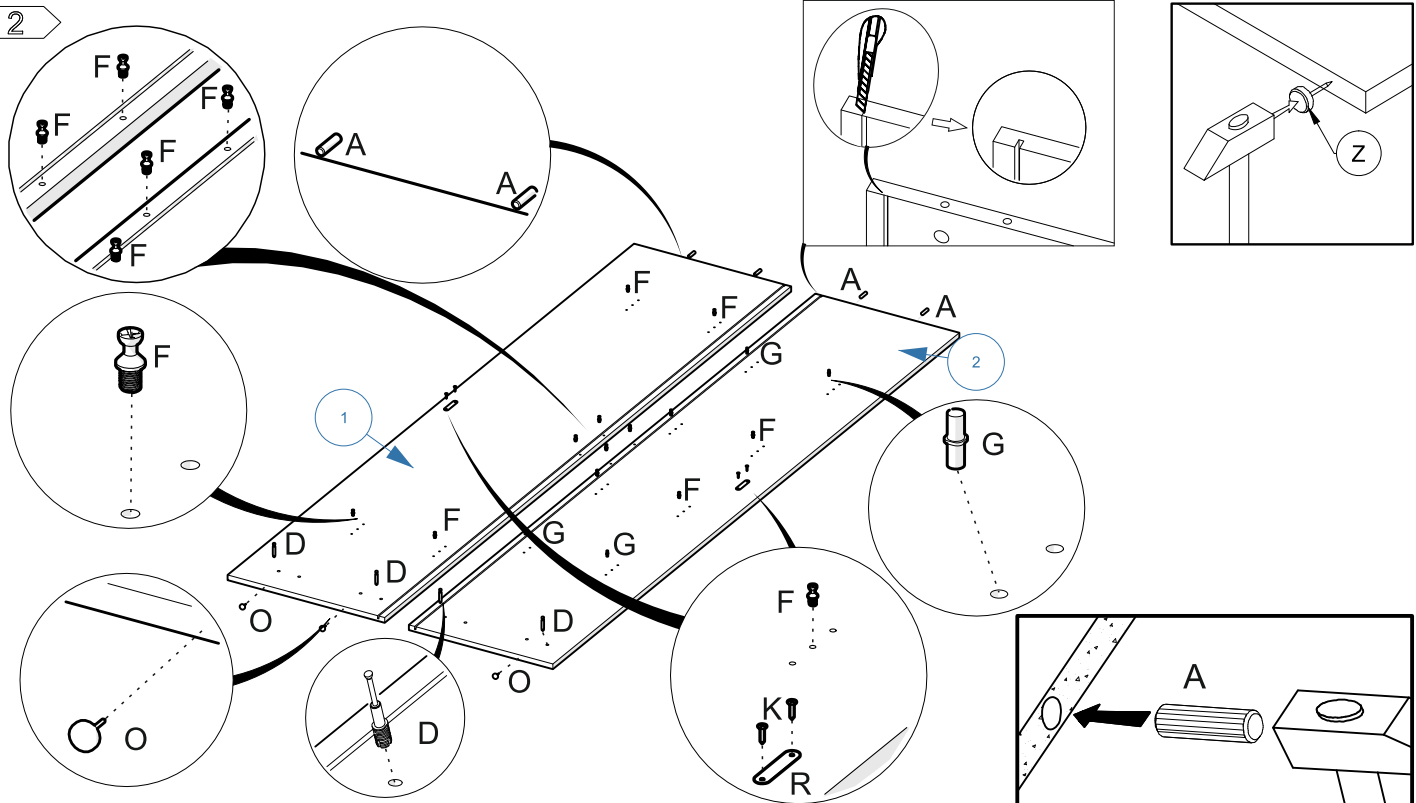
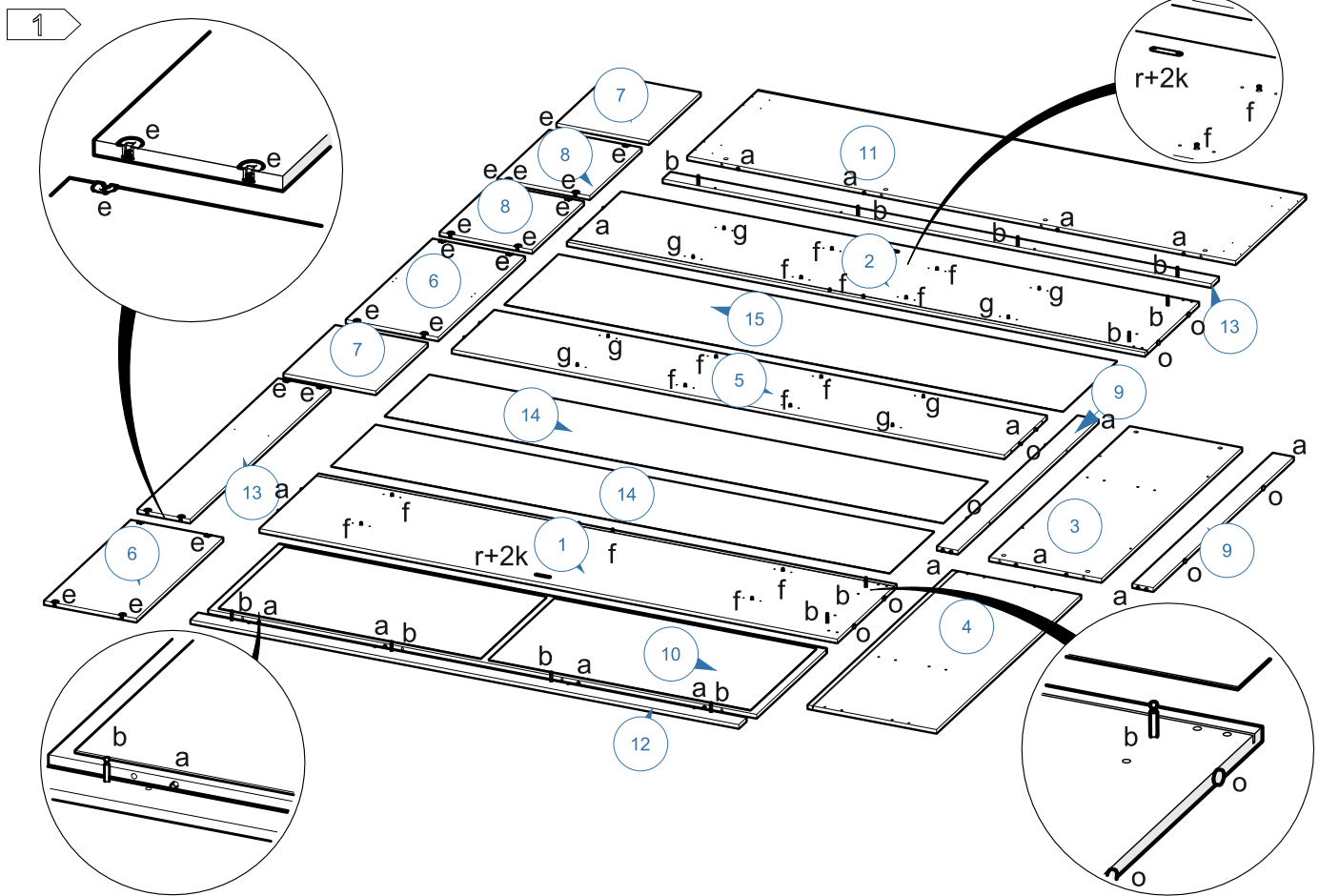
Y - 2


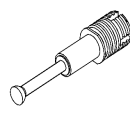


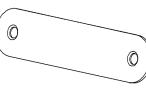




X - 2

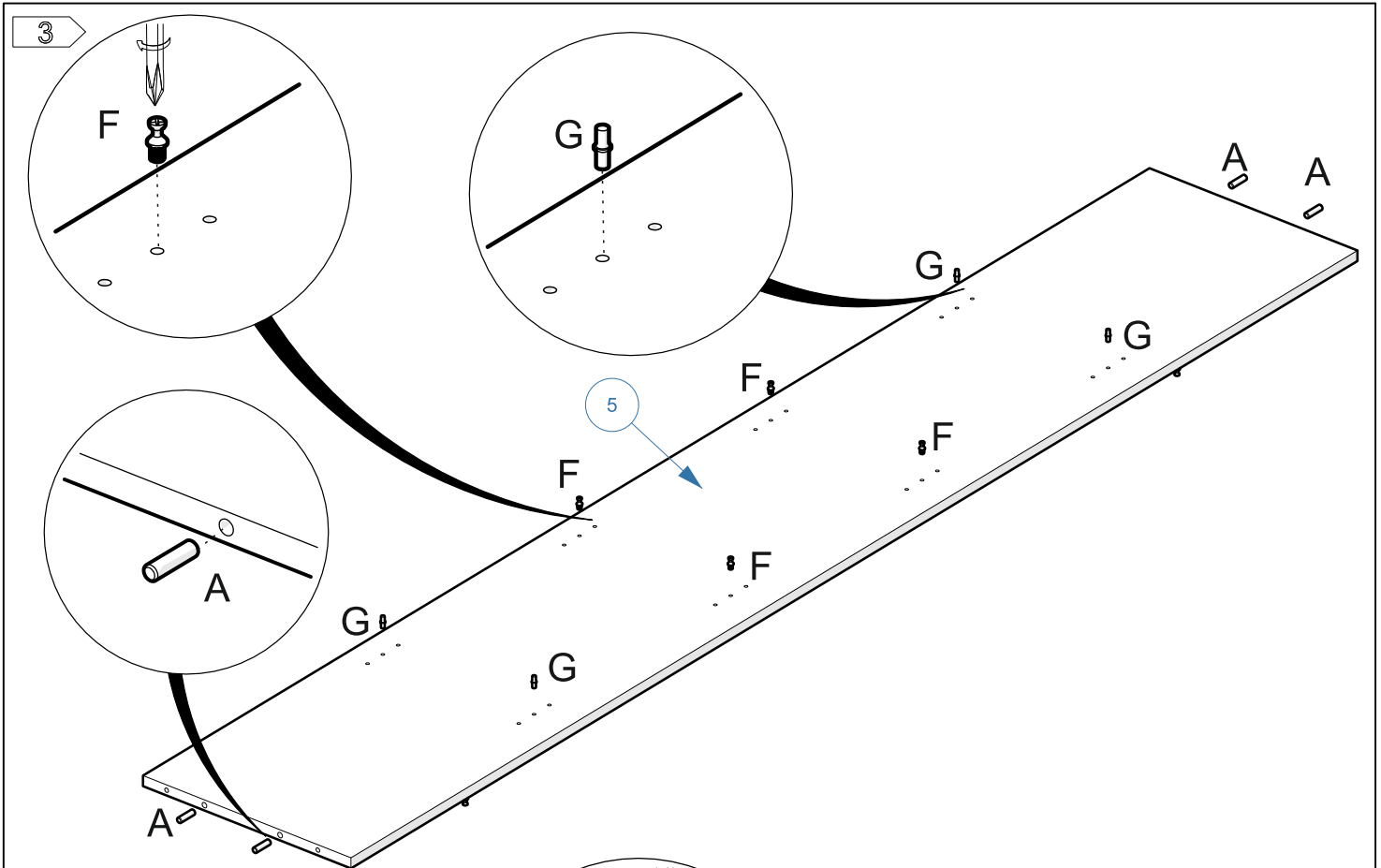


| NR                 | DIM  |   |    | QTE      | COLLI    |
|--------------------|------|---|----|----------|----------|
| <b>SPARE PARTS</b> |      |  |    | <b>1</b> | <b>1</b> |
| 1                  | 2200 | 491   | 16 | 1        | 3        |
| 2                  | 2200 | 450   | 16 | 1        |          |
| 3                  | 1166 | 428   | 16 | 1        |          |
| 4                  | 1200 | 491   | 16 | 1        | 4        |
| 5                  | 2104 | 352   | 16 | 1        | 5        |
| 6                  | 720  | 352   | 16 | 2        | 6        |
| 7                  | 430  | 352   | 16 | 2        |          |
| 8                  | 430  | 352   | 16 | 2        |          |
| 9                  | 1166 | 80  | 16 | 2        | 4        |
| 10                 | 2088 | 584   | 20 | 1        | 2        |
| 11                 | 2088 | 584   | 16 | 1        | 5        |
| 12                 | 2088 | 64  | 16 | 2        |          |
| 13                 | 1166 | 200   | 16 | 1        | 4        |
| 14                 | 2126 | 368   | 3  | 2        | 3        |
| 15                 | 2126 | 446   | 3  | 1        |          |

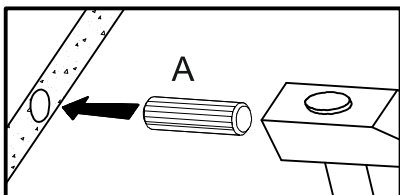
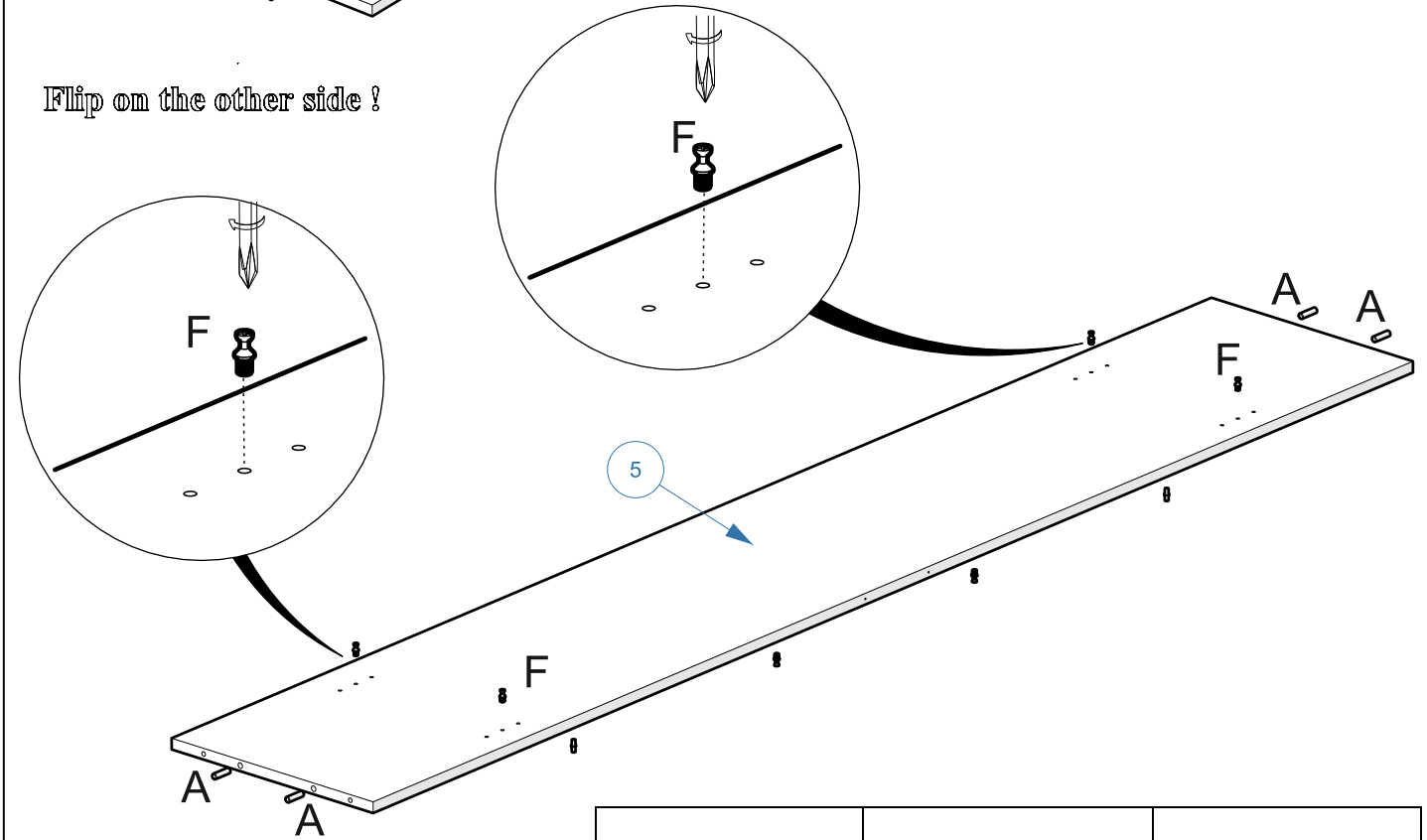


|   |   |   |   |   |   |   |
|---|---|---|---|---|---|---|
|  |  |  |  |  |  |  |
| A-4   | D-4   | F-12  | O-4   | R-2   | G-4   | K-4   |

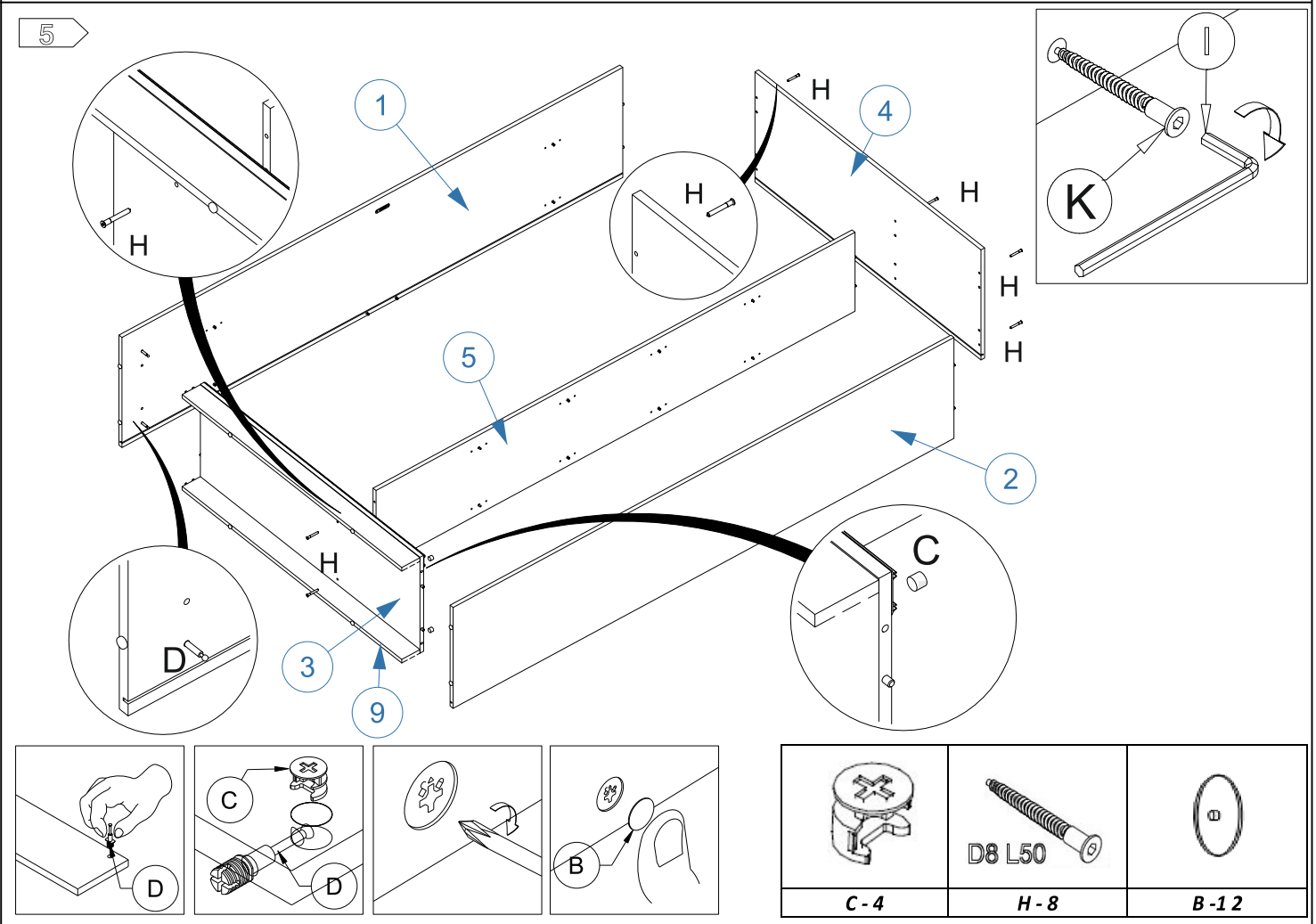
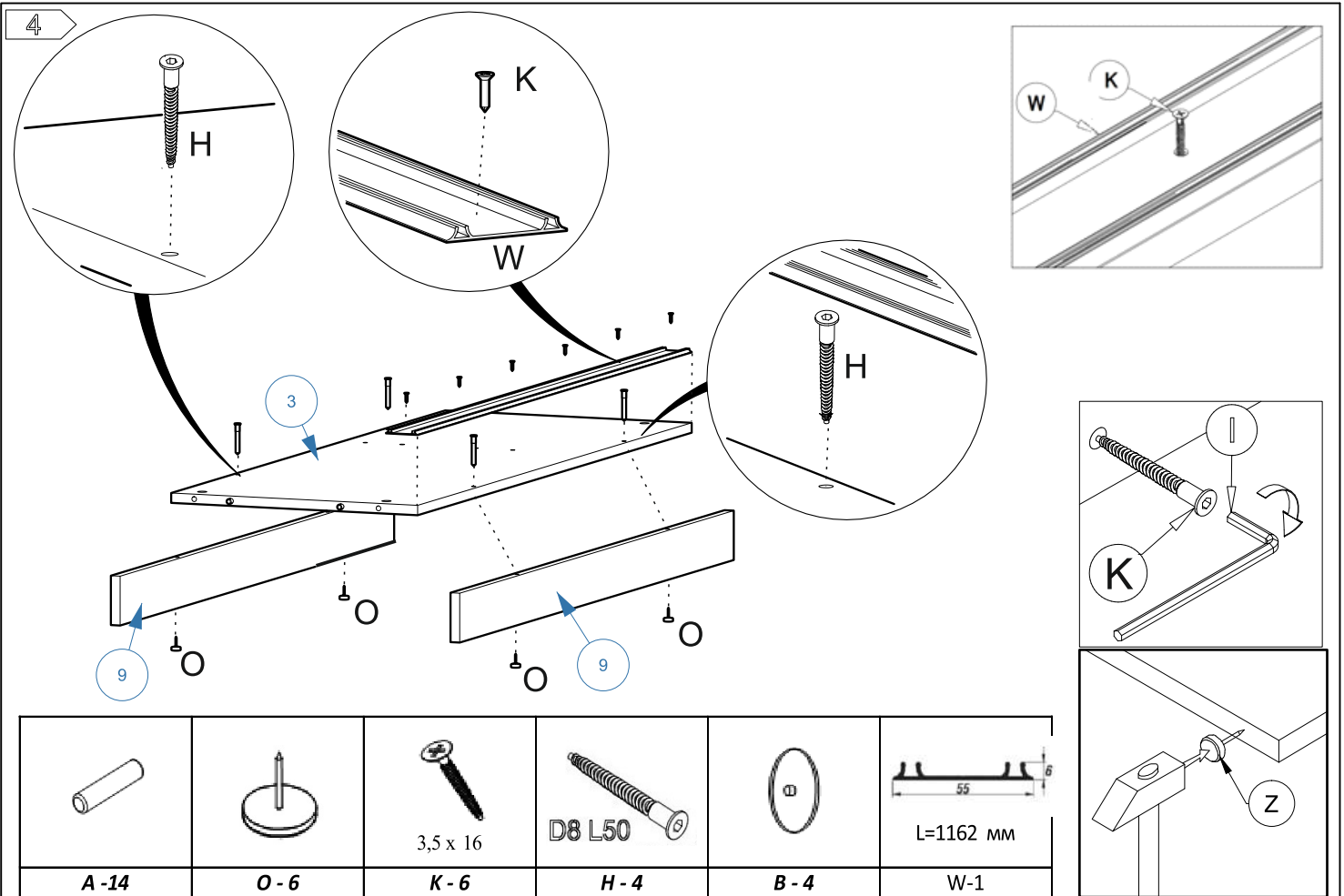
3,5x 16



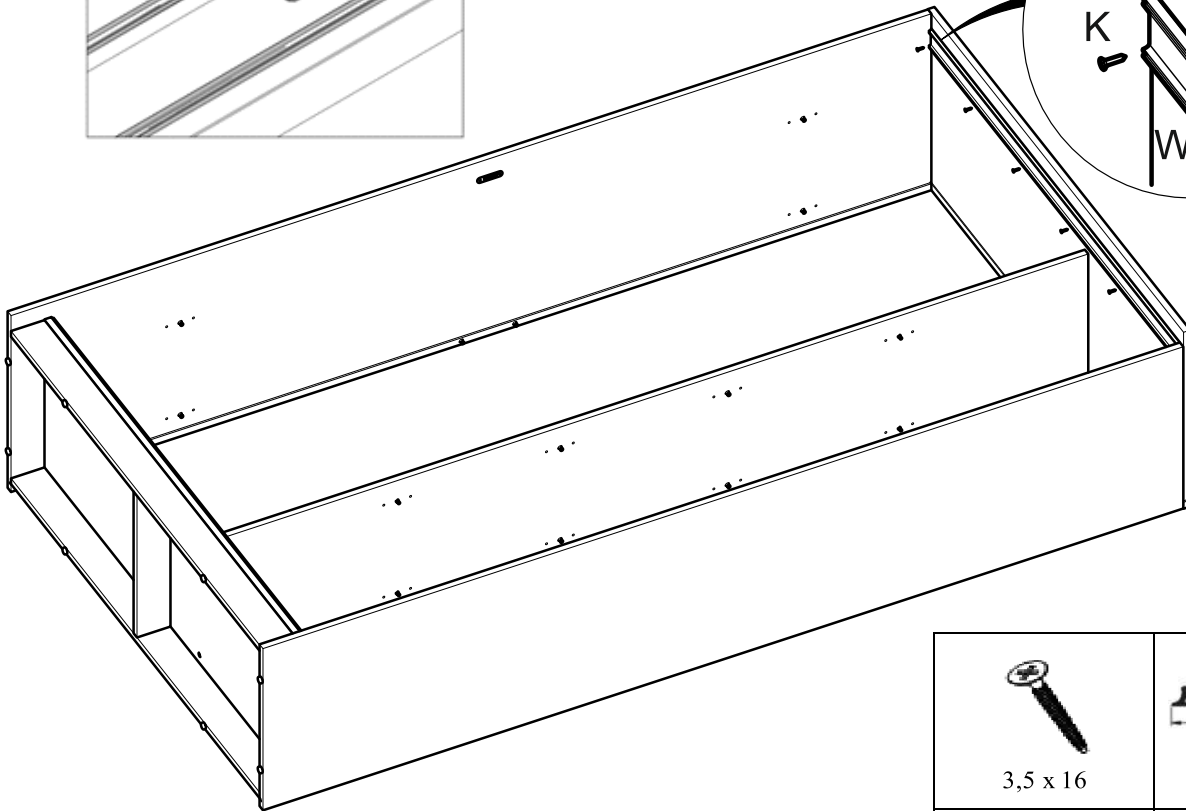
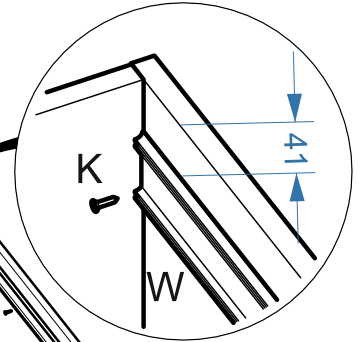
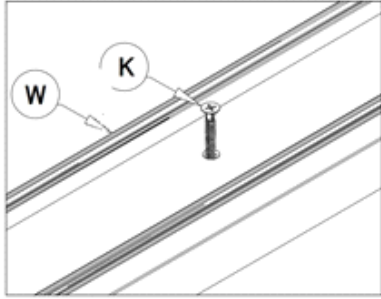
Flip on the other side !


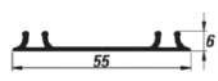


|       |       |       |
|-------|-------|-------|
|       |       |       |
| A - 4 | F - 8 | G - 4 |

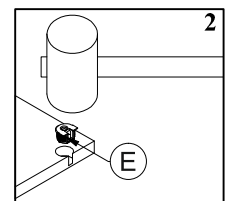
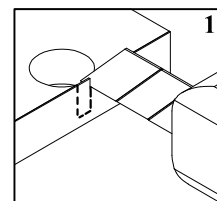
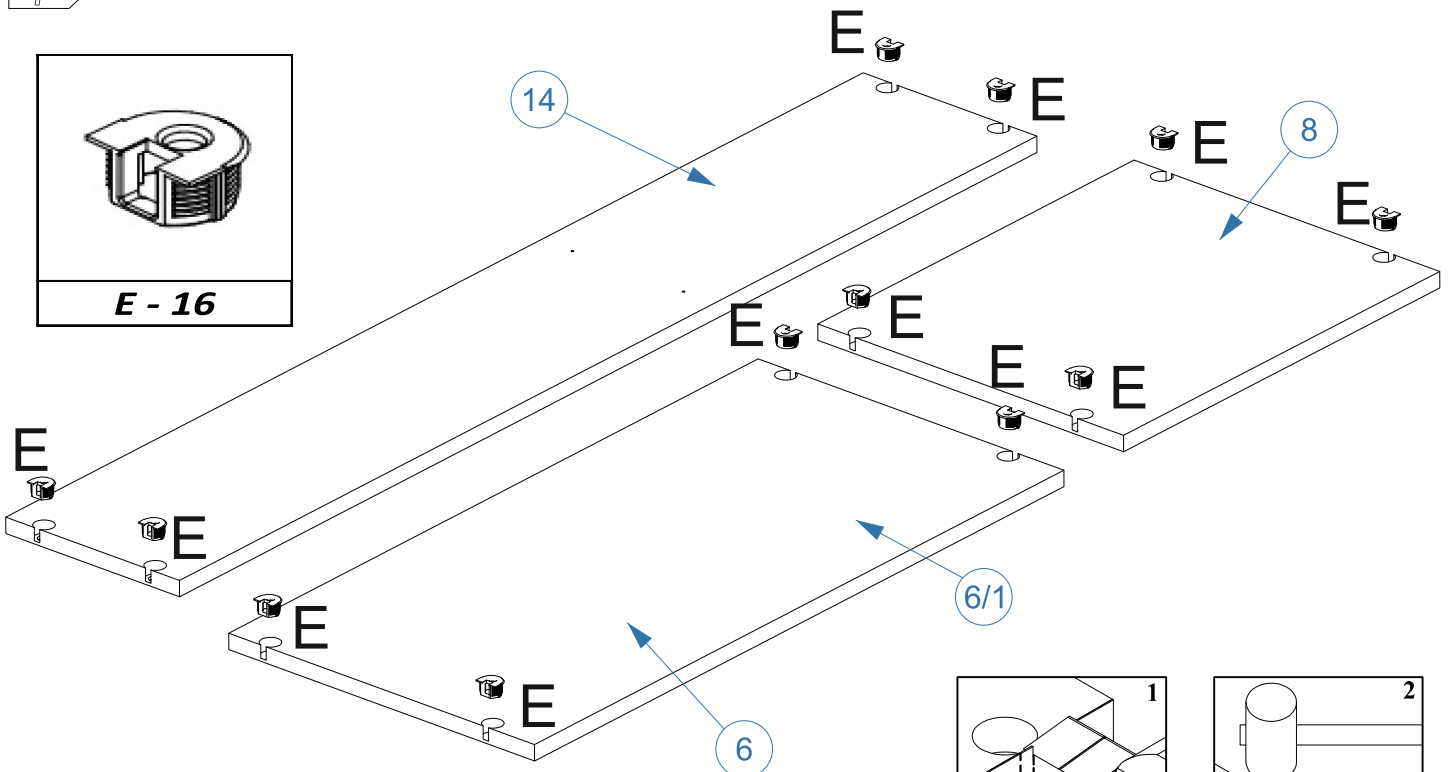
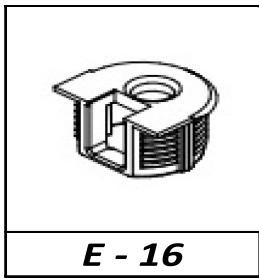


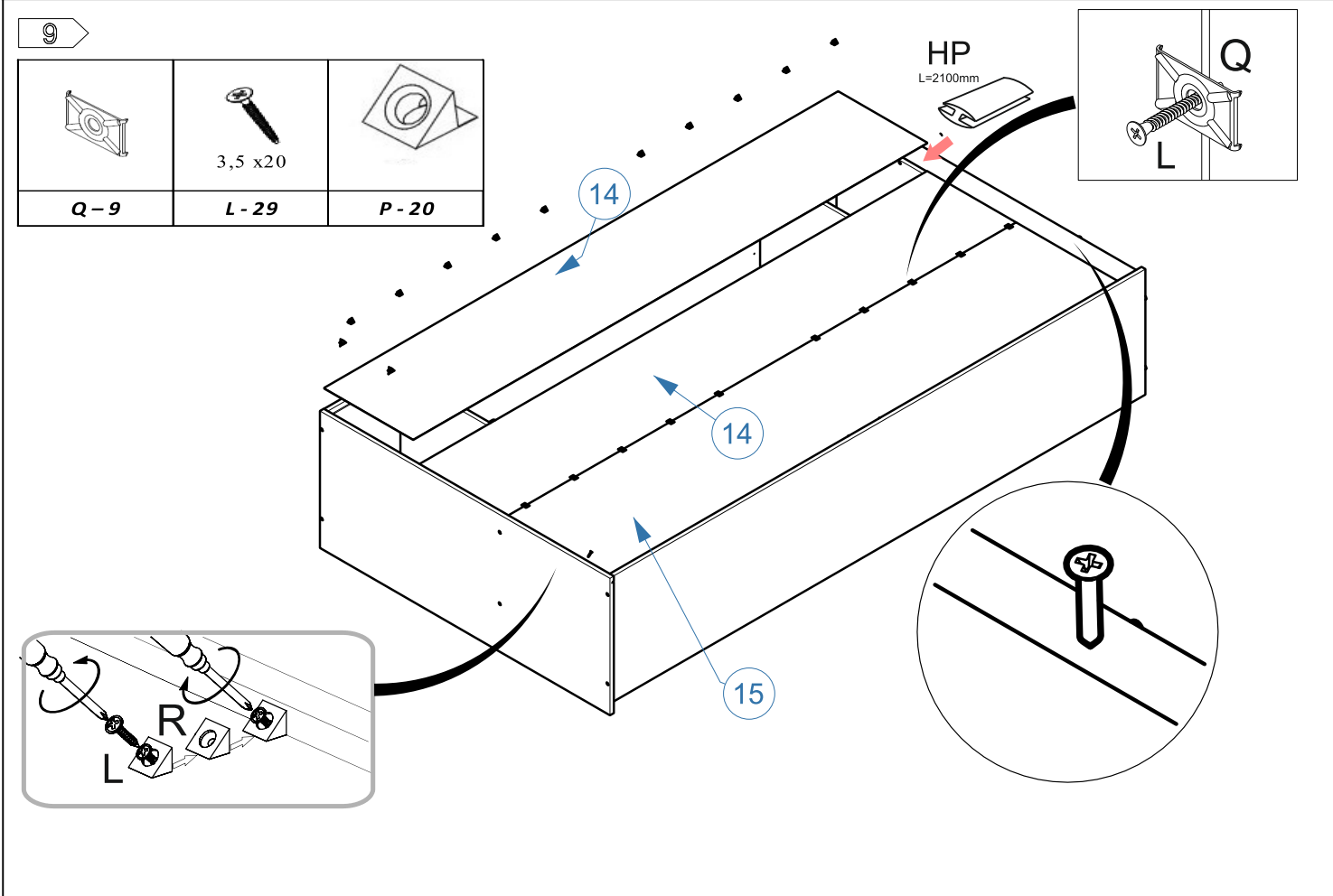
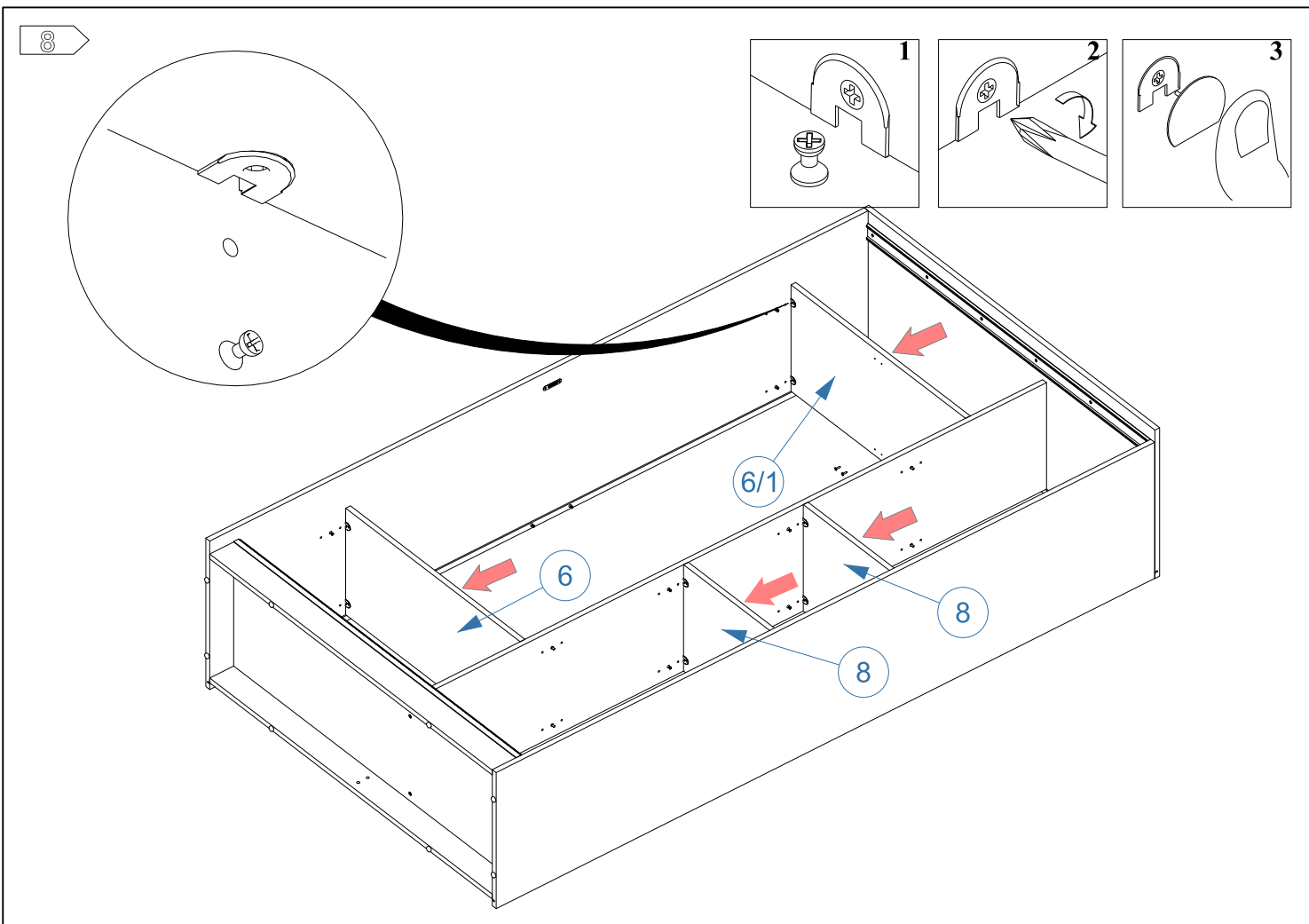
6



|   |  |
|---|--|
| <br>3,5 x 16 | <br>L=1162 MM |
| <b>K-5</b>  | <b>W-1</b>   |

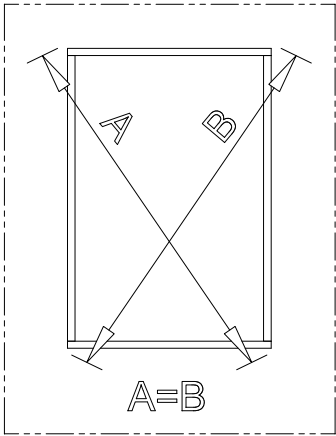
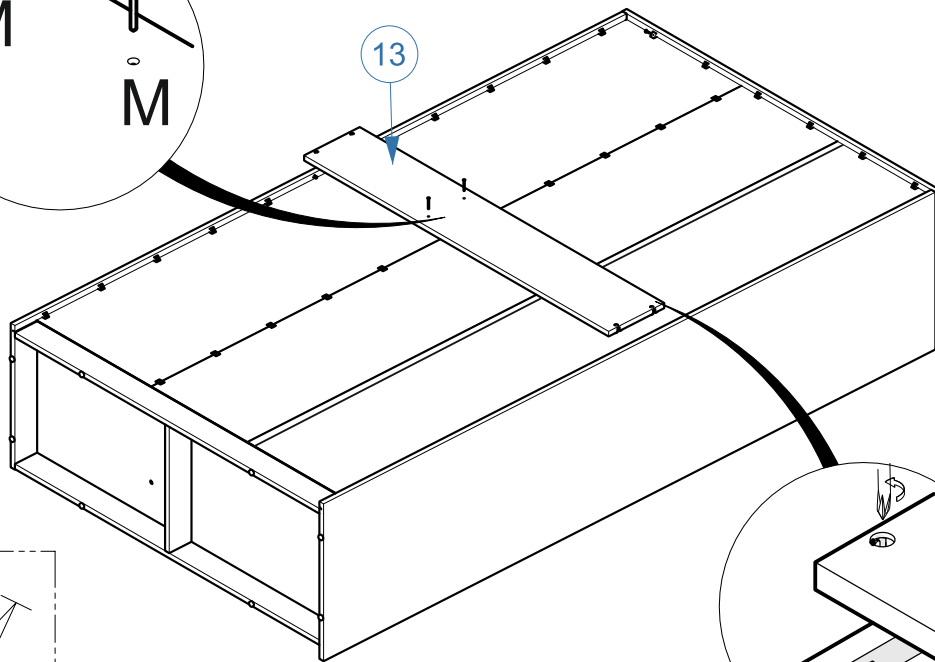
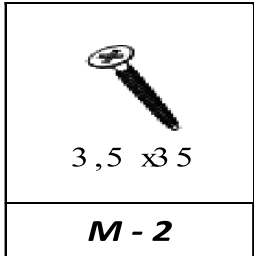
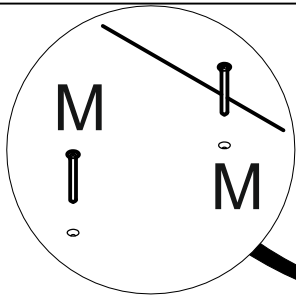
7



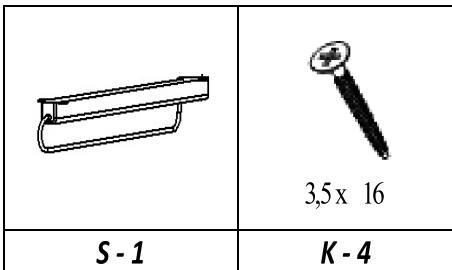
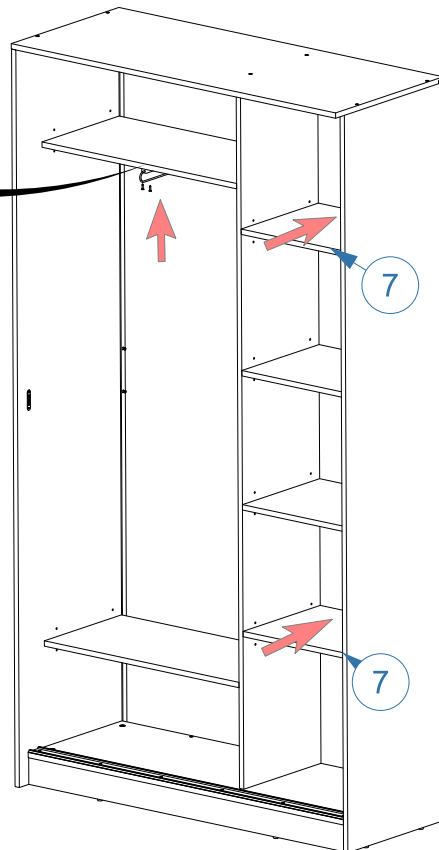
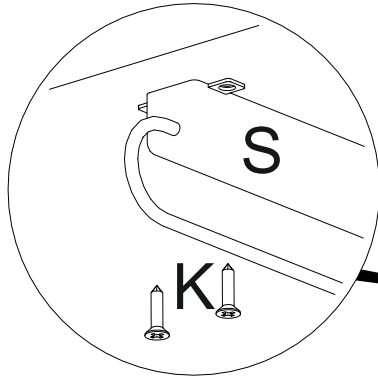




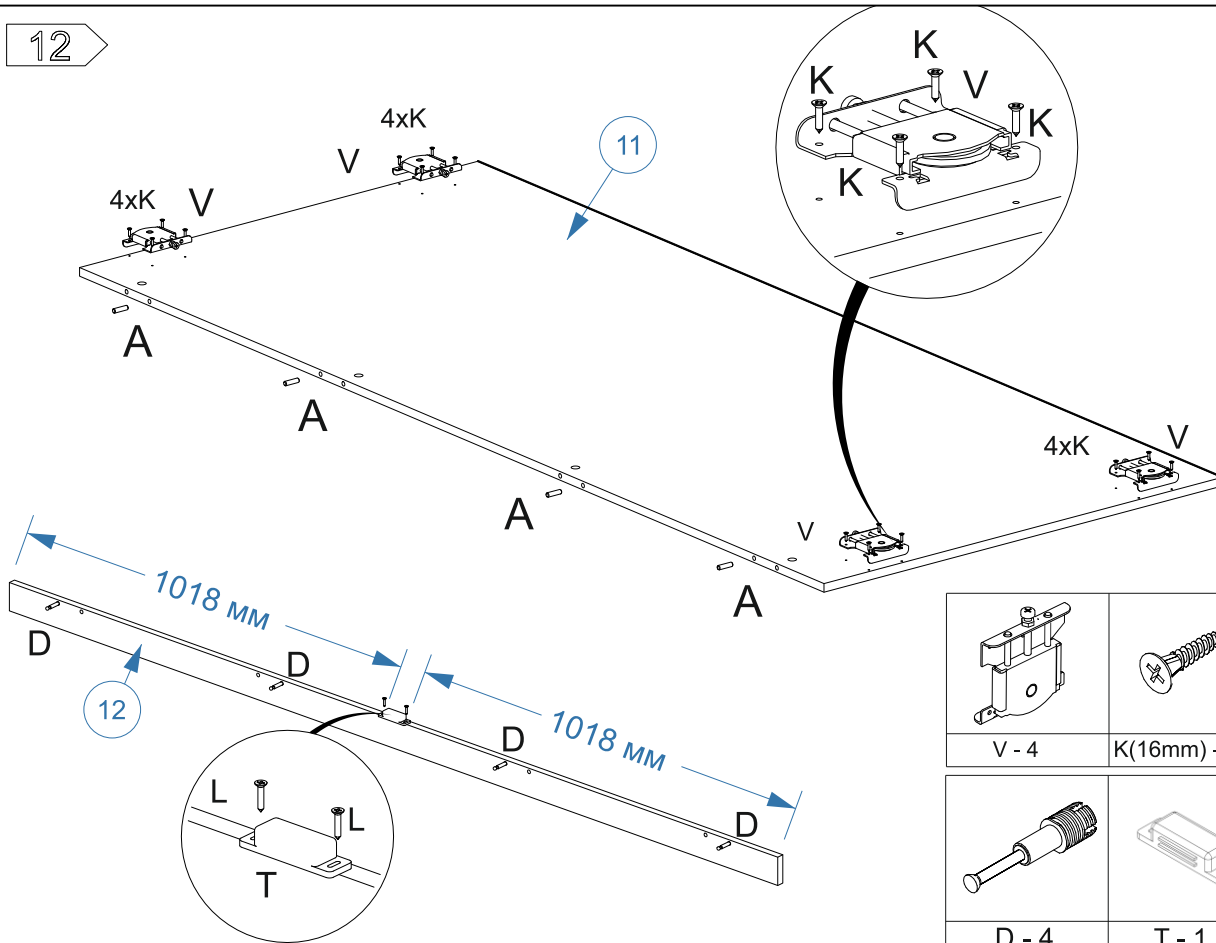
10



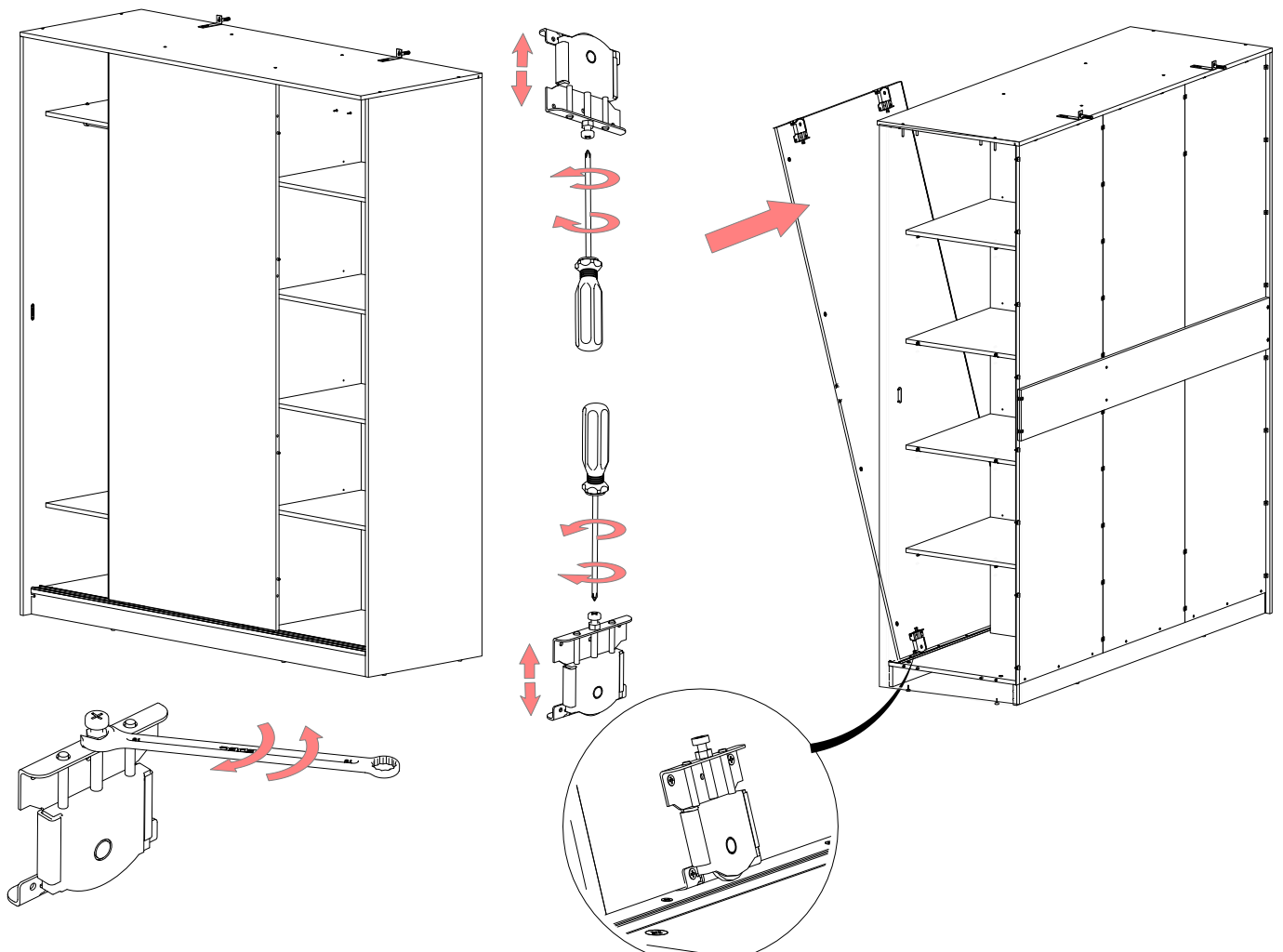
11



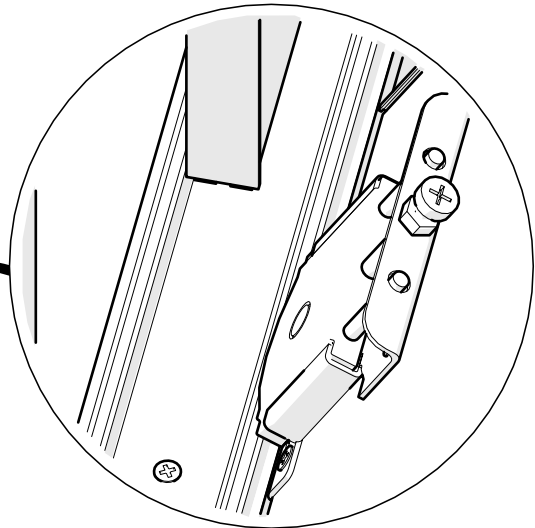
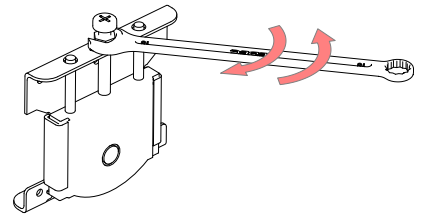
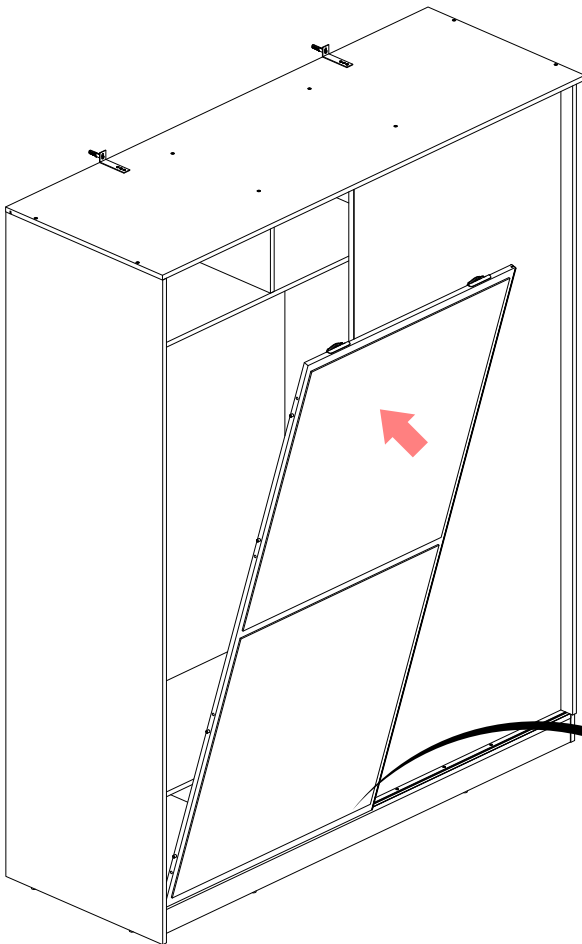
12



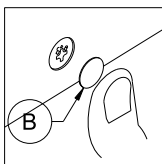
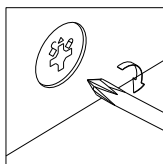
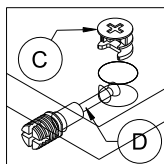
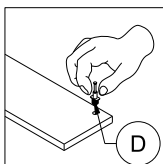
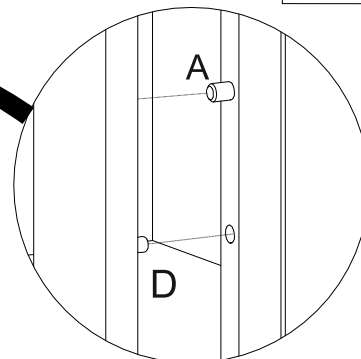
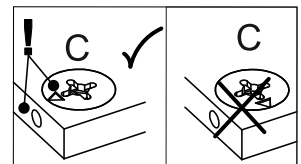
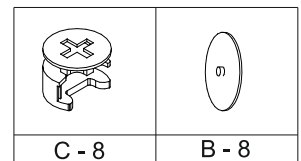
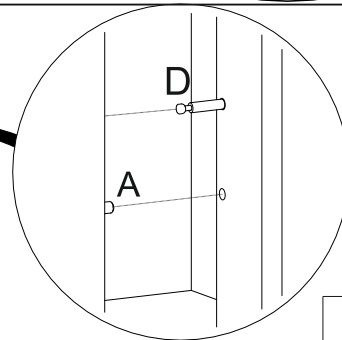
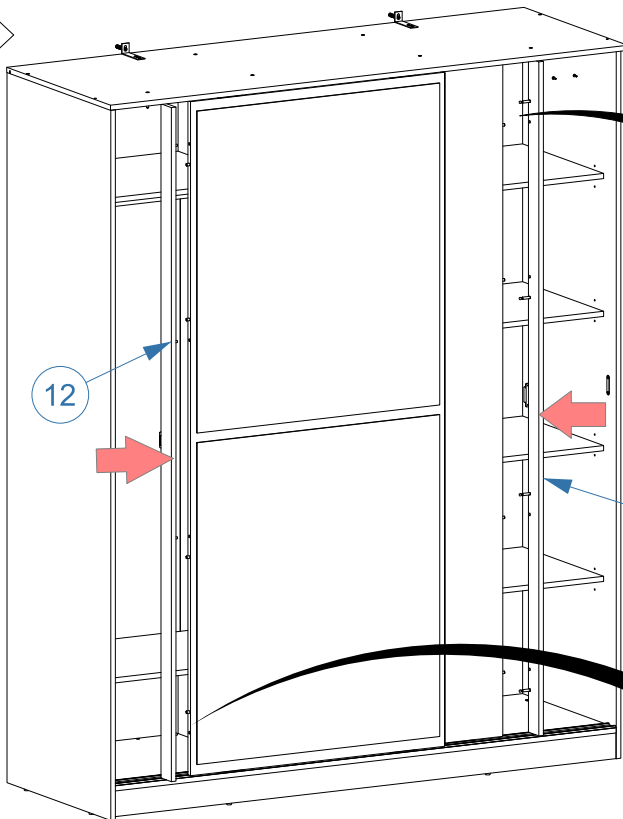
13



15



16



15

- 4 x K 
- 2 x X 
- 2 x Y 
- 2 x Z 

