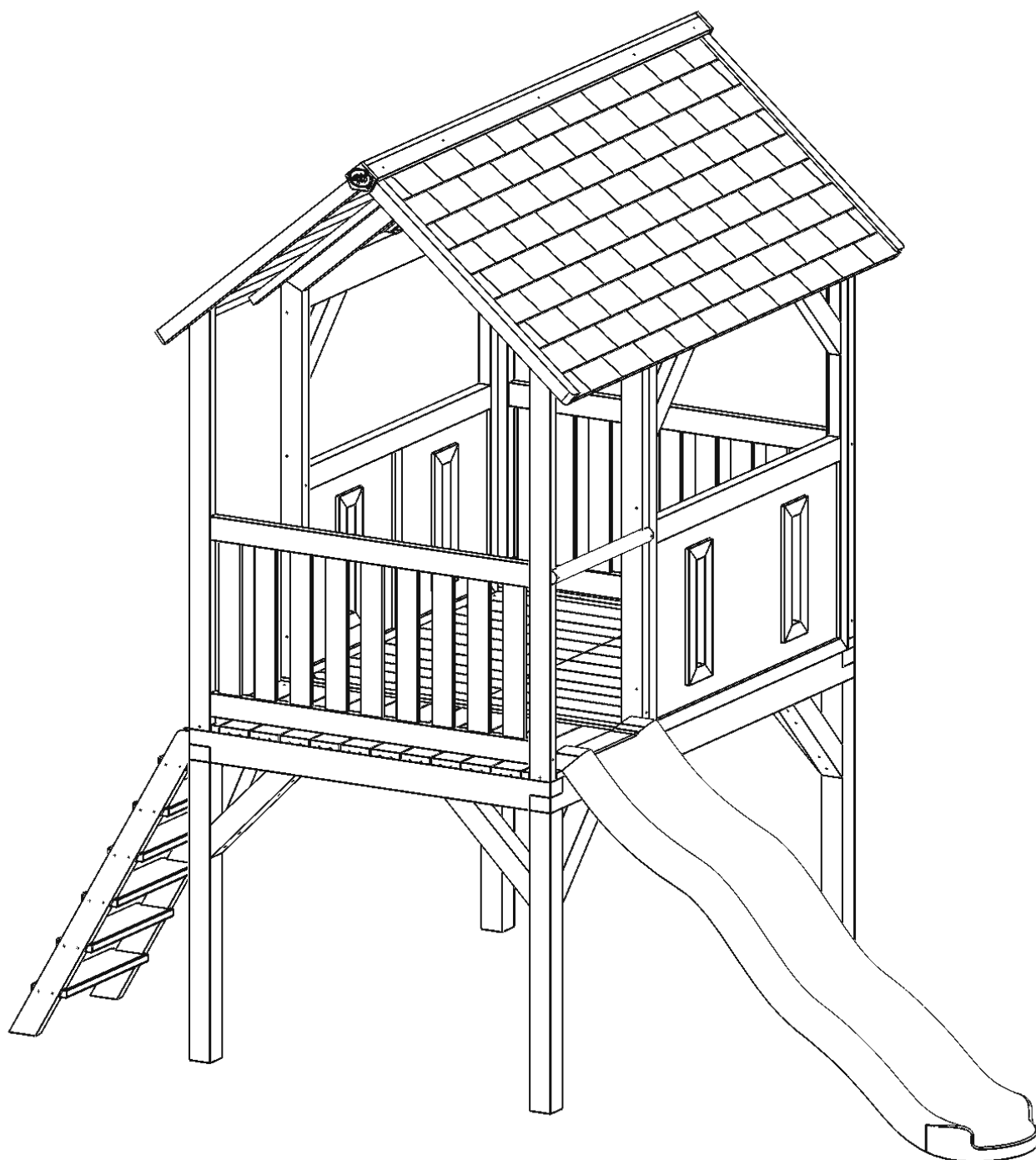
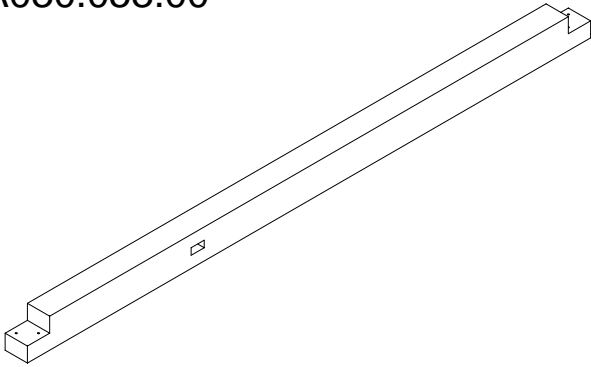


A030.032.00  
A030.049.00  
A030.050.00  
A030.053.00  
A030.164.00  
A030.166.00

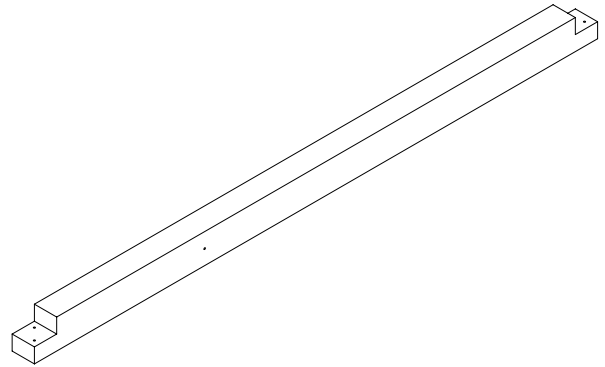




A030.053.00



20

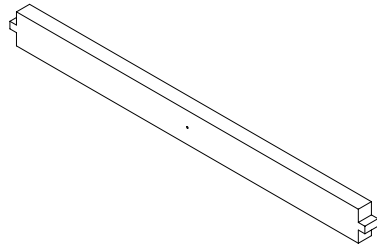


21

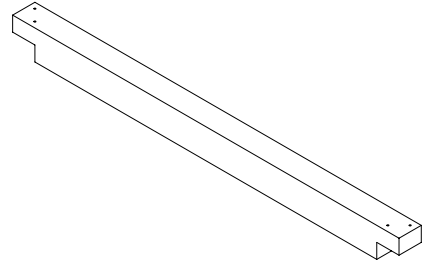


28

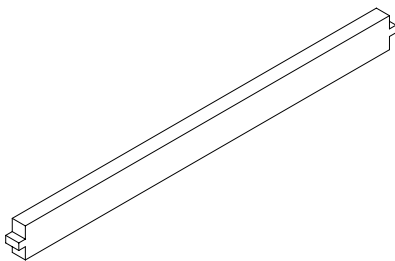
4x



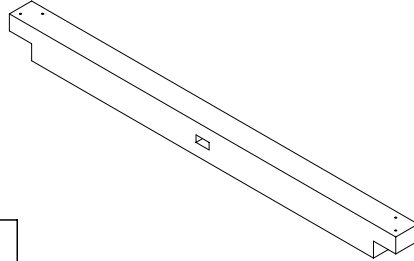
22



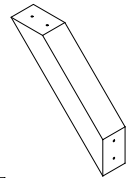
23



24

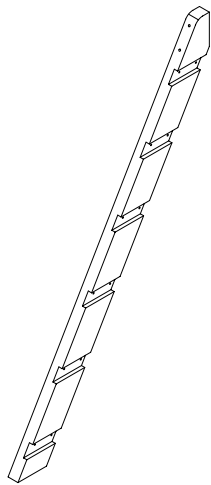


25

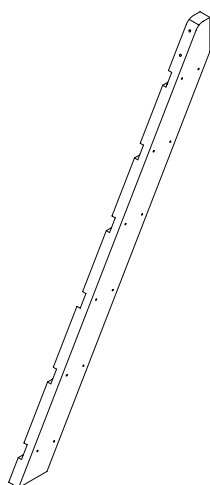


26

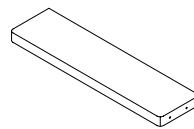
8x



35

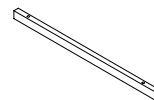


36



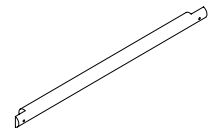
30

6x

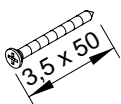


31

2x

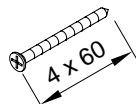


32



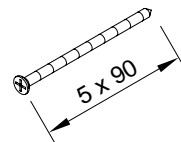
s1

30x



s2

34x

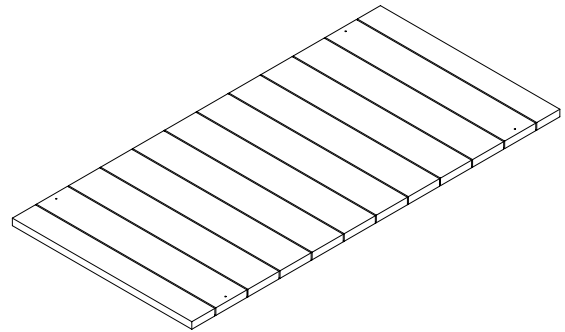
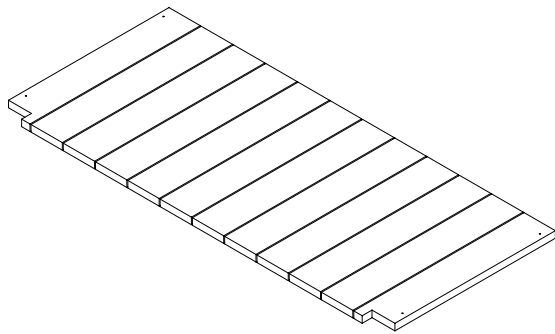


s5

24x



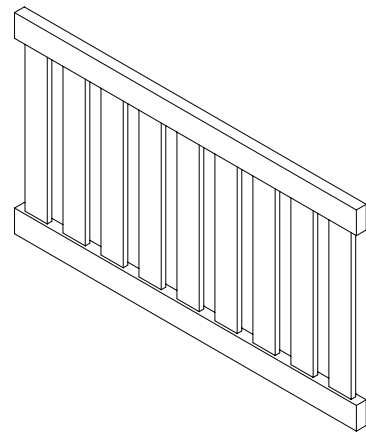
A030.050.00



11

12

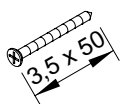
2x



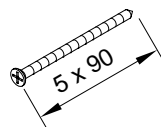
13

2x

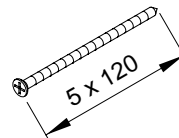
14



16x



2x



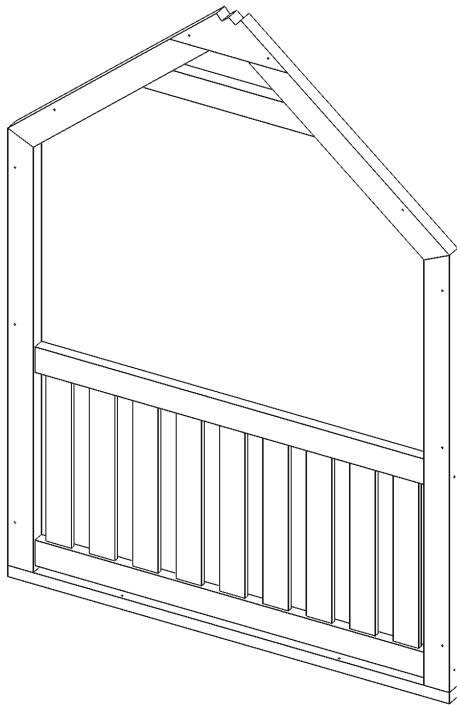
4x

s1

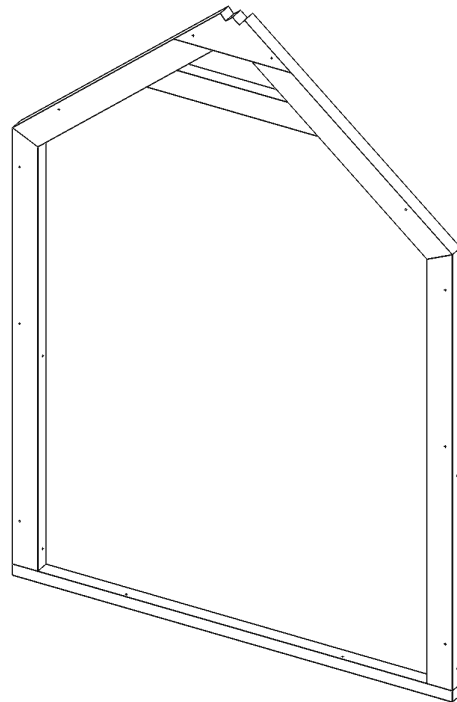
s5

s7

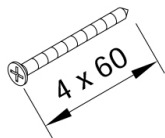
A030.164.00



1

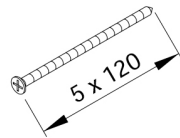


2



s2

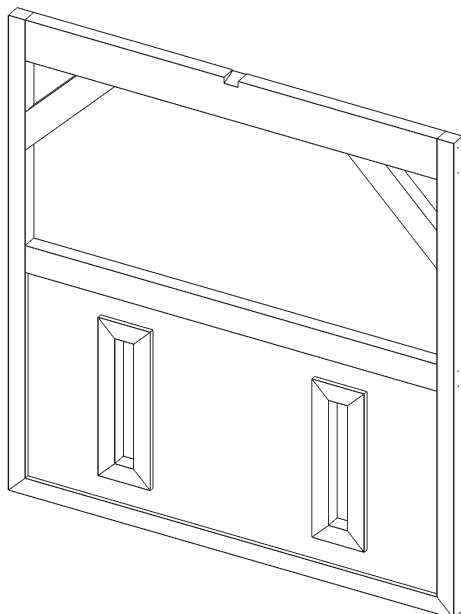
20x



s7

2x

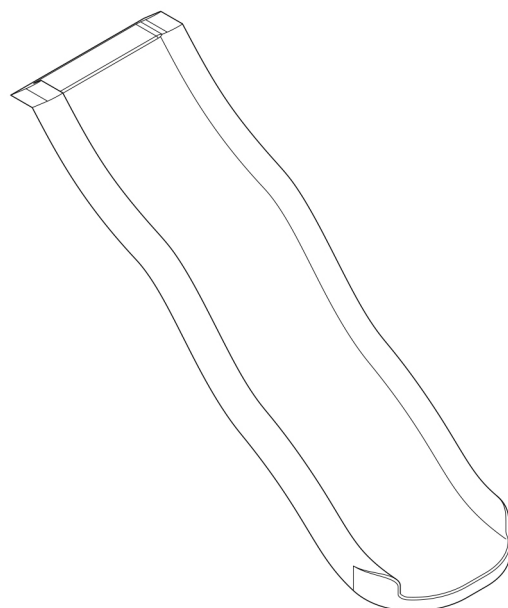
A030.166.00



4

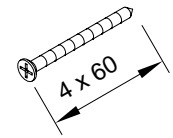
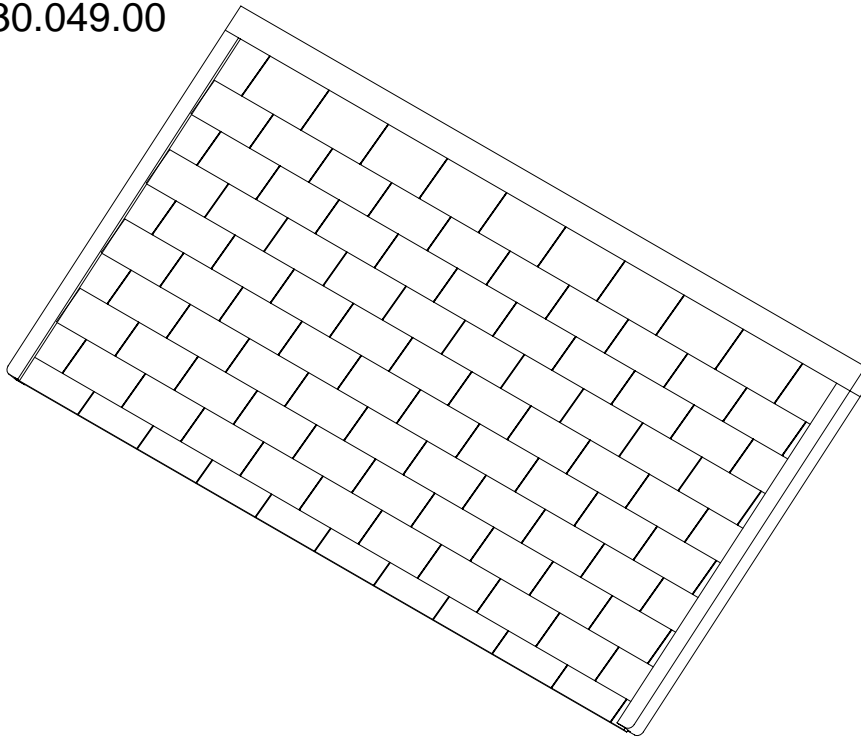
2x

A030.032.00



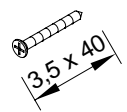
47

A030.049.00



s2

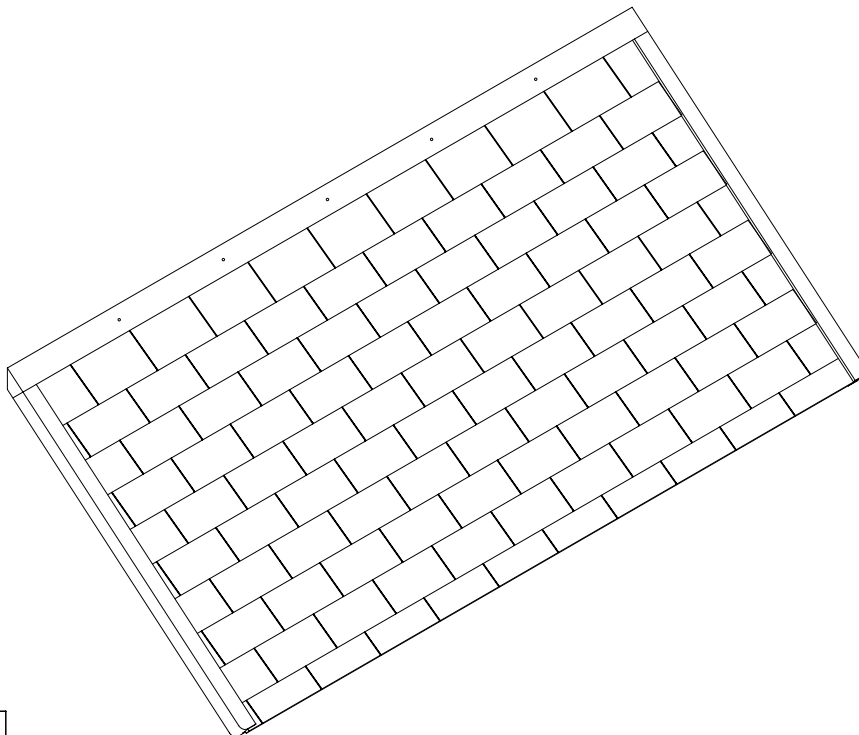
8x



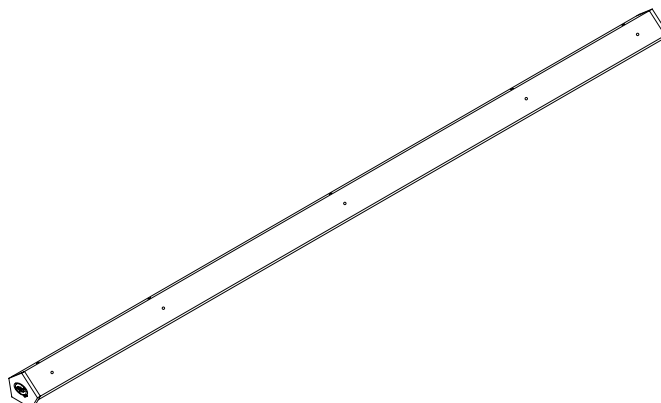
s3

15x

8


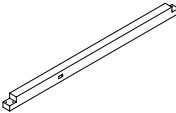
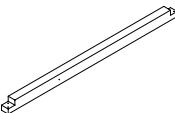
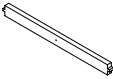
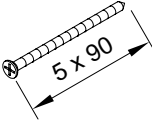


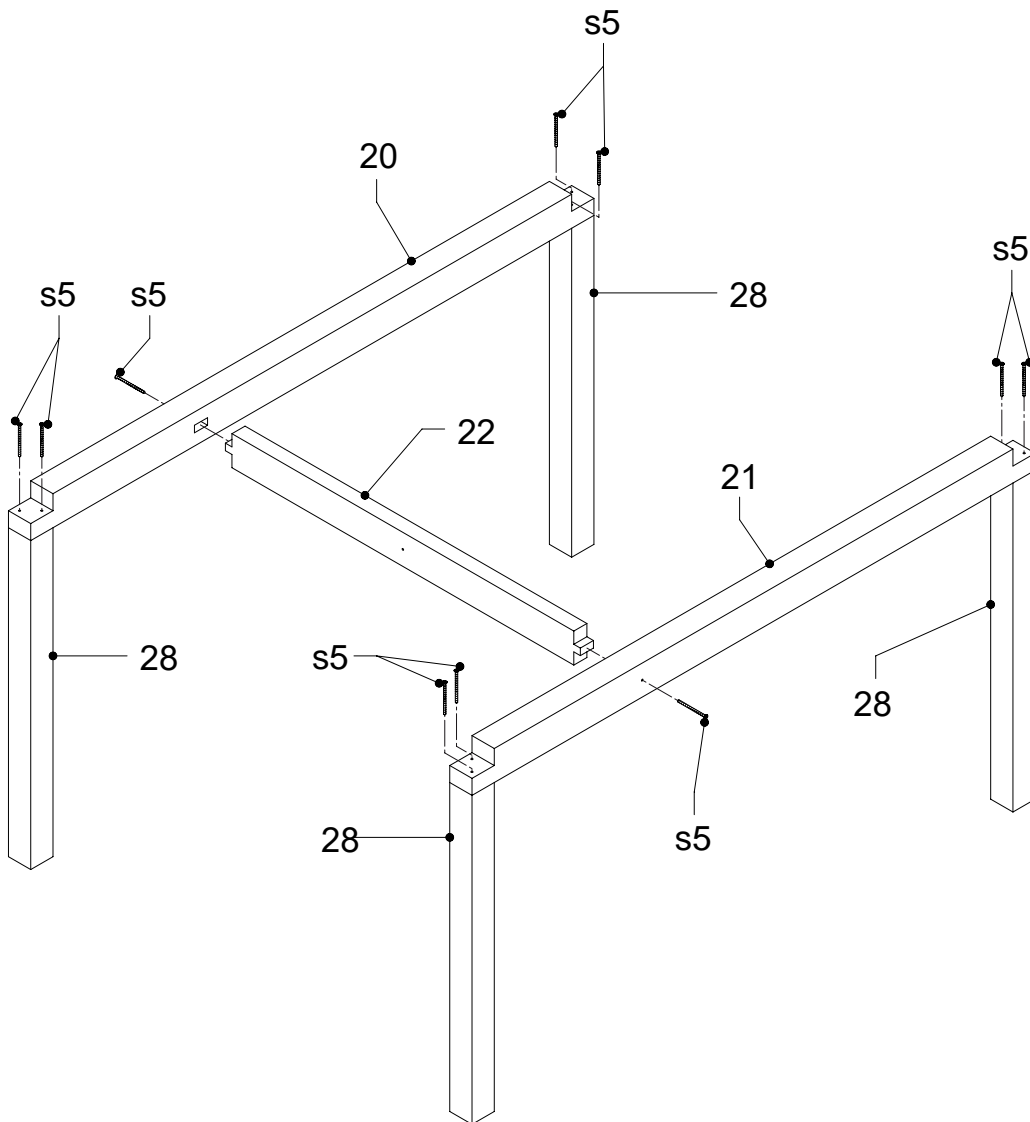
9



10

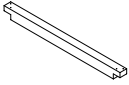
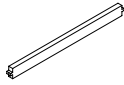
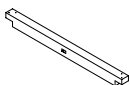
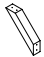
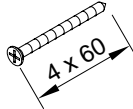
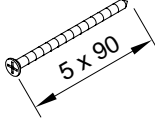


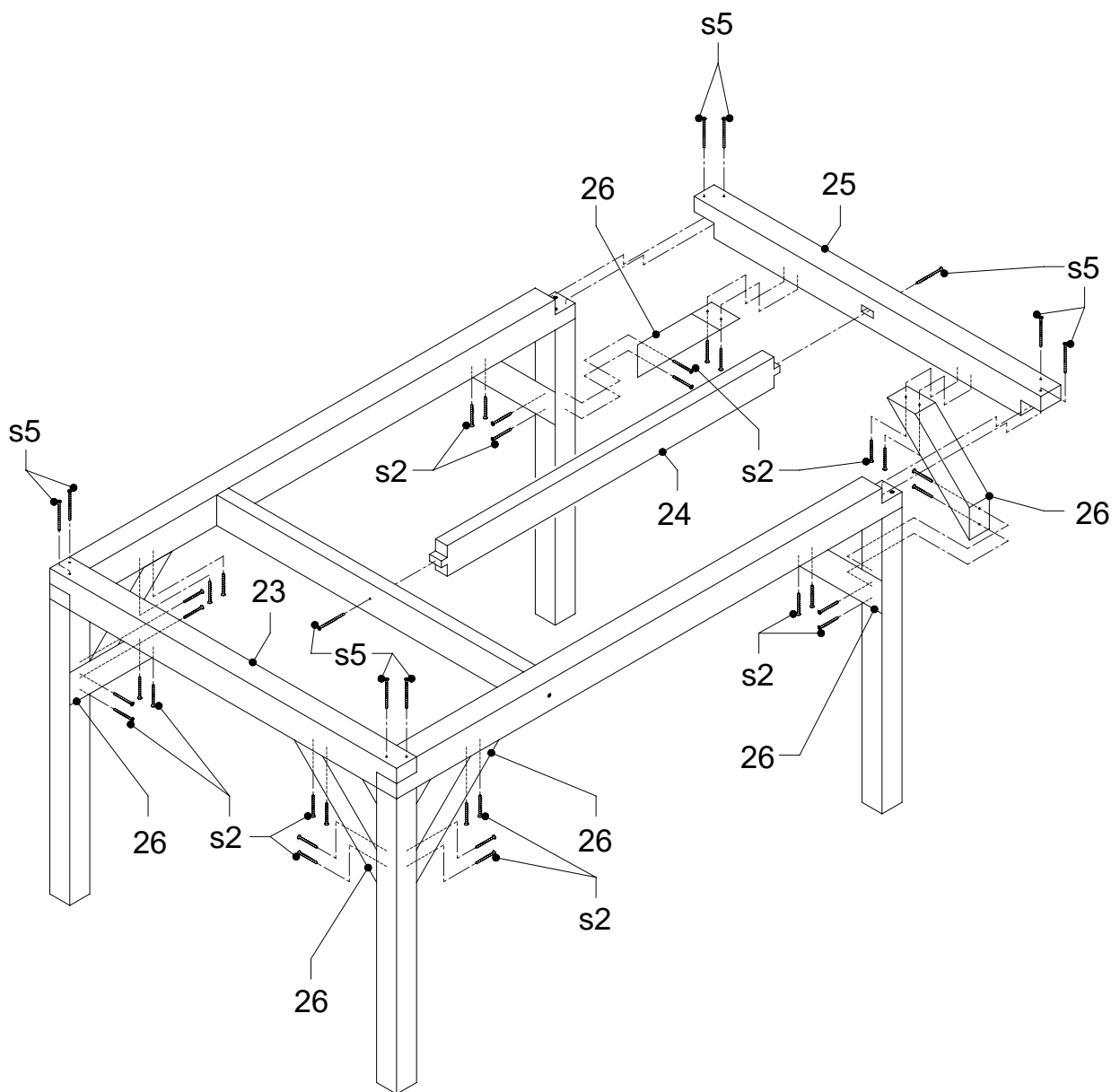
						
28	4x	20	21	22	s5	10x



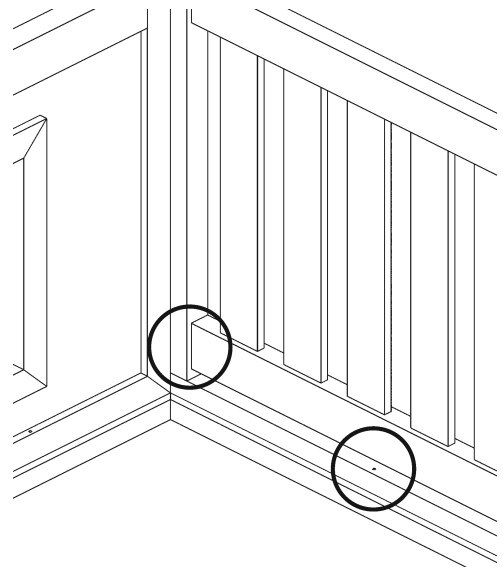
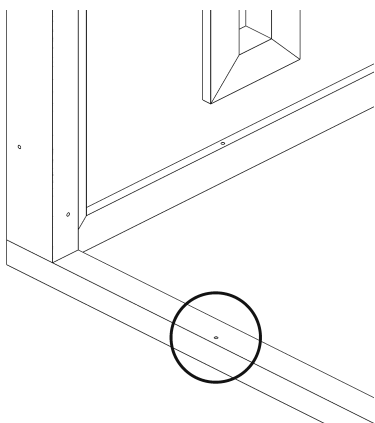
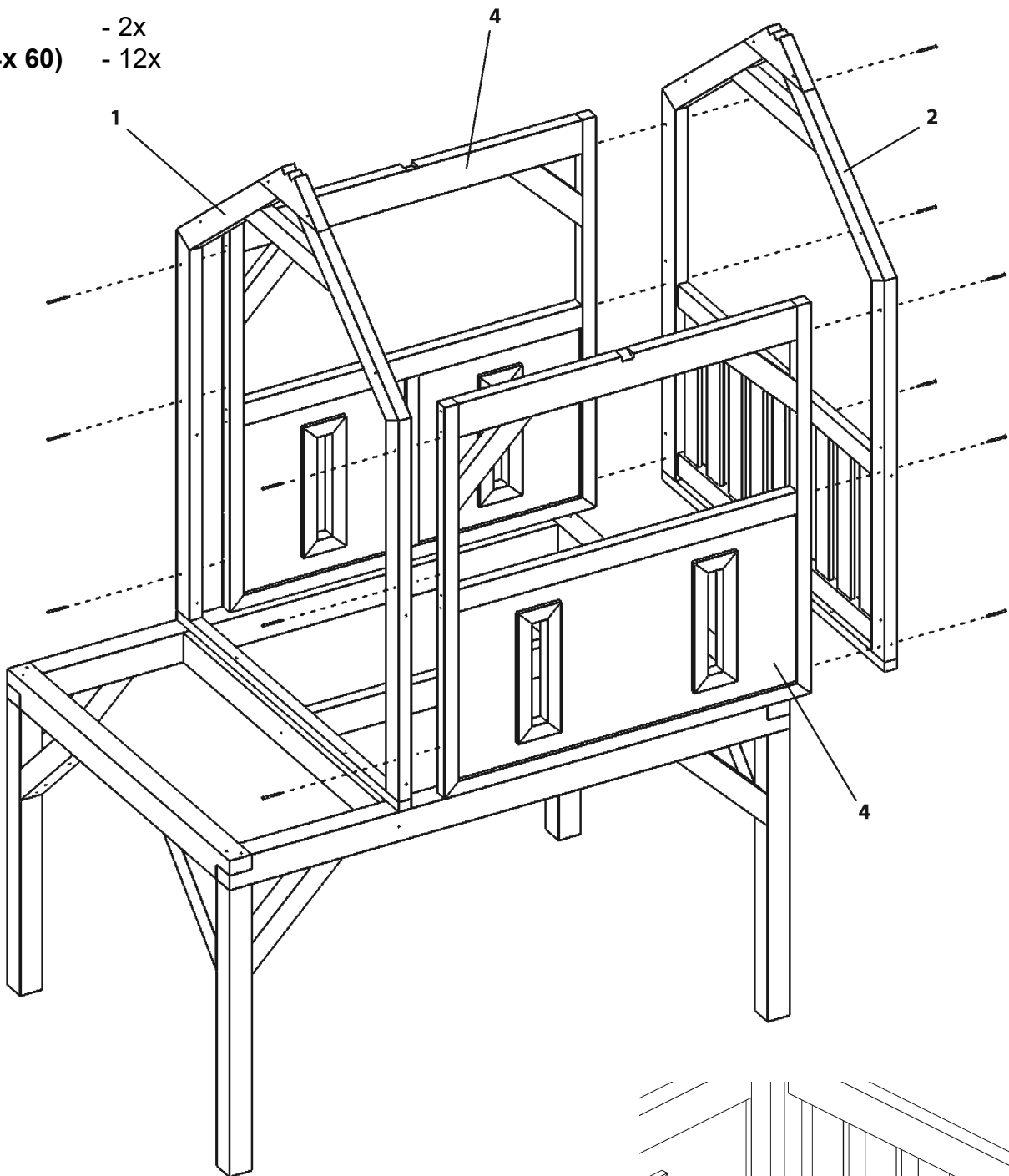


# Bogo

						
23	24	25	26	8x s2	32x s5	10x s5

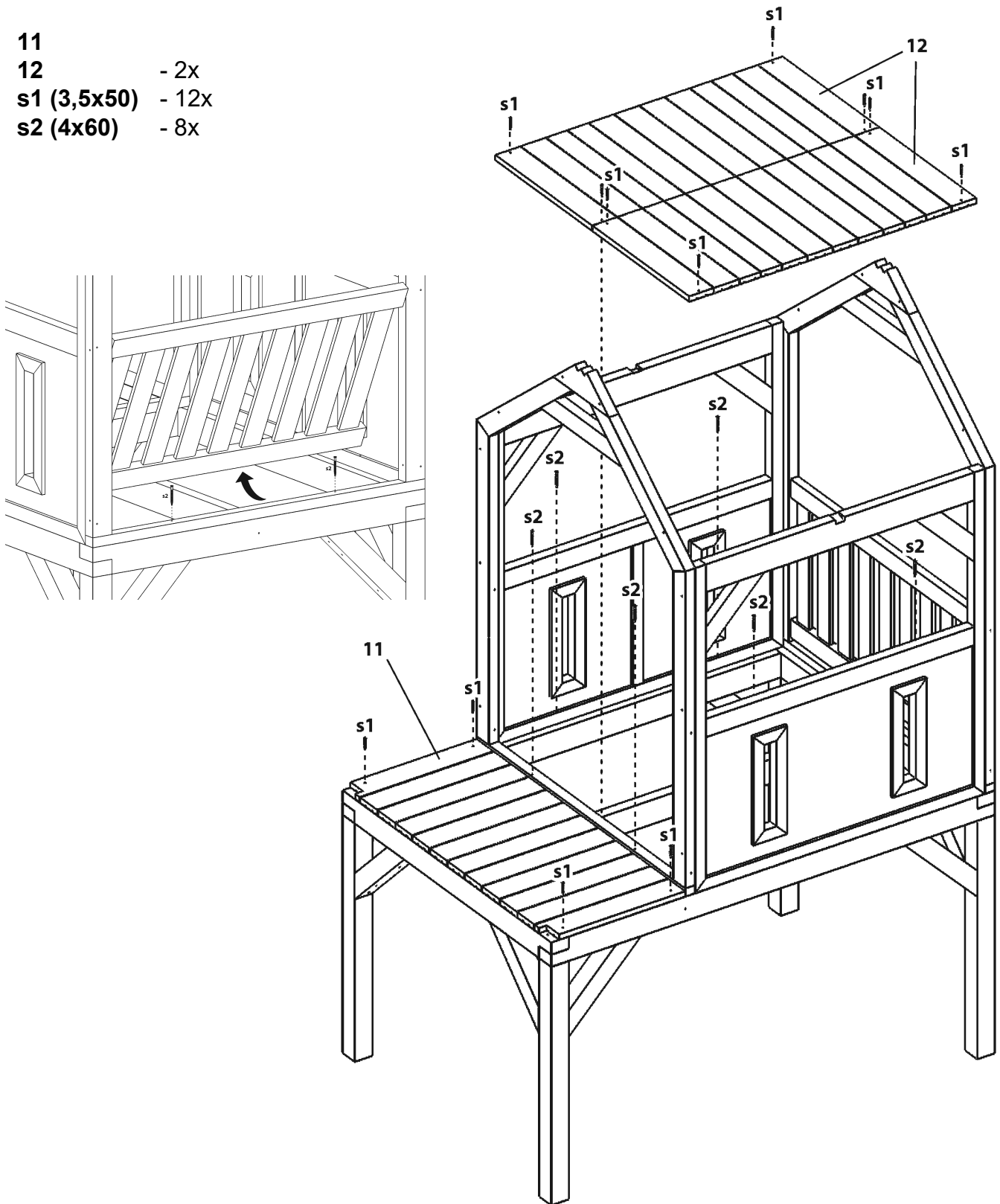


- 1
- 2
- 4 - 2x
- s2 (4x 60) - 12x





- 11
- 12 - 2x
- s1 (3,5x50) - 12x
- s2 (4x60) - 8x



8

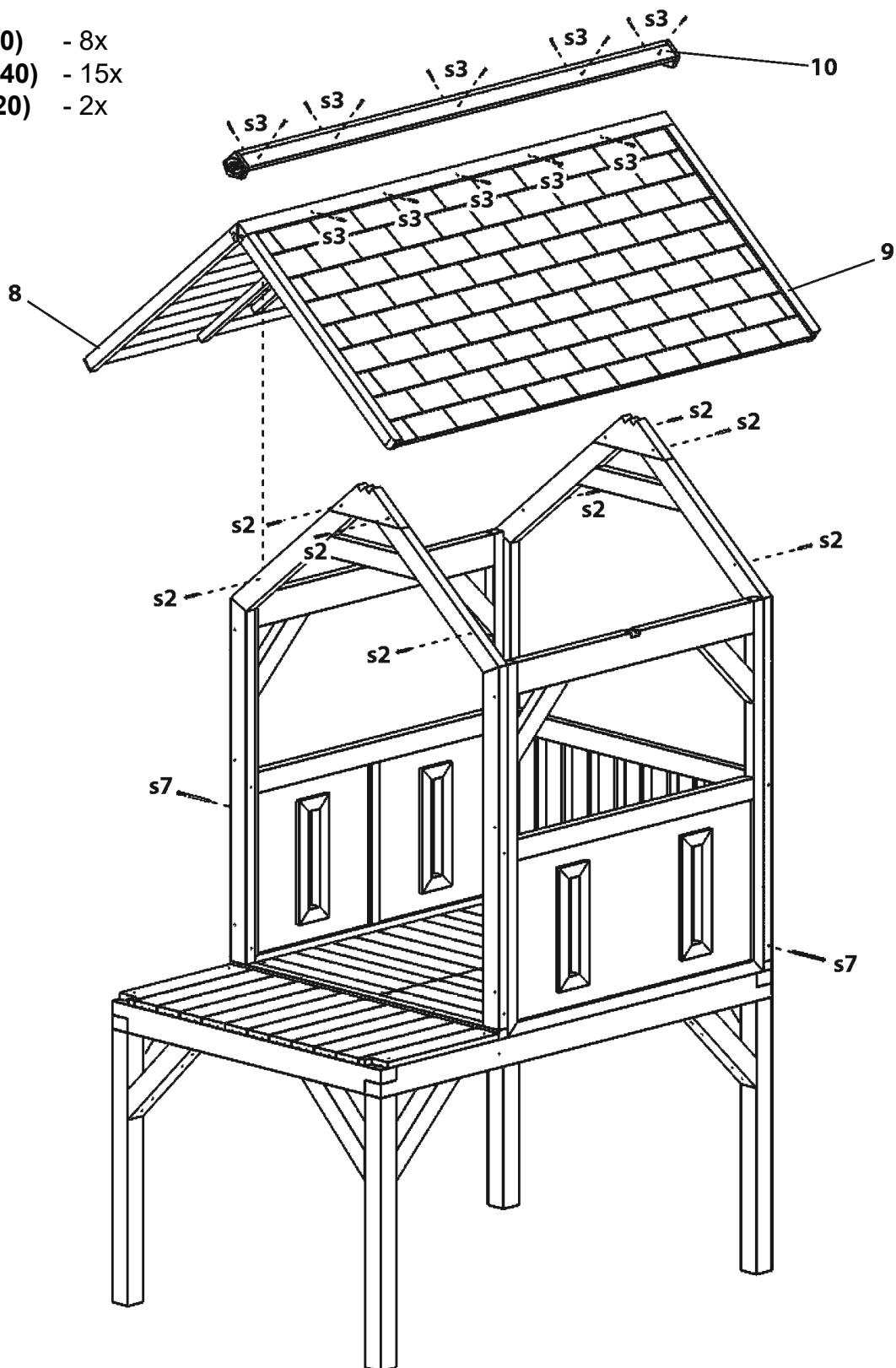
9

10

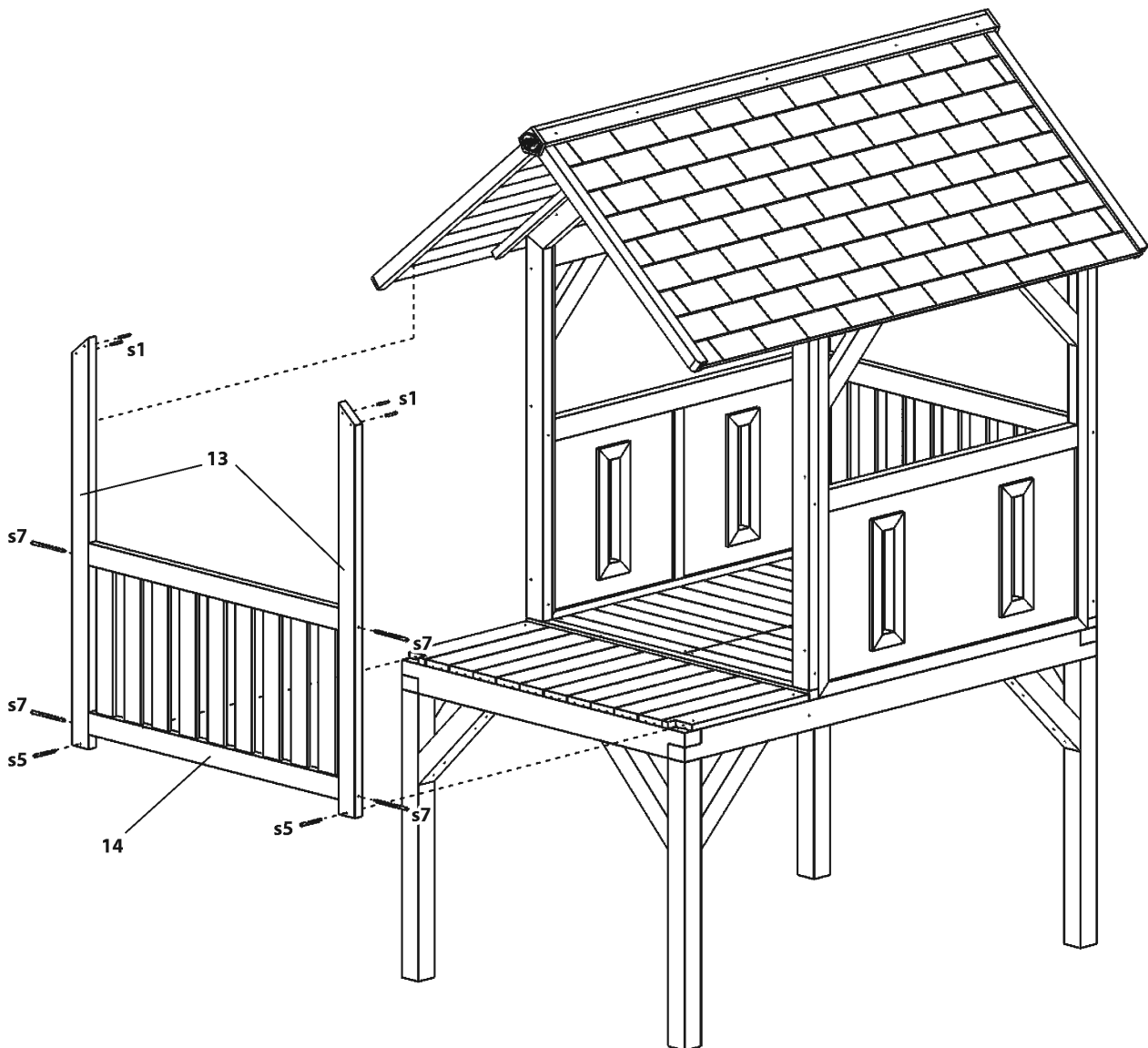
s2 (4x 60) - 8x

s3 (3,5x40) - 15x

s7 (5x120) - 2x



- 13 - 2x
- 14
- s1 (3,5x50) - 4x
- s5 (5x90) - 2x
- s7 (5x120) - 4x



- 30 - 6x
- 31 - 2x
- 32
- 35
- 36
- 47
- s1 (3,5x50) - 30x
- s2 (4x60) - 2x
- s5 (5x90) - 4x

