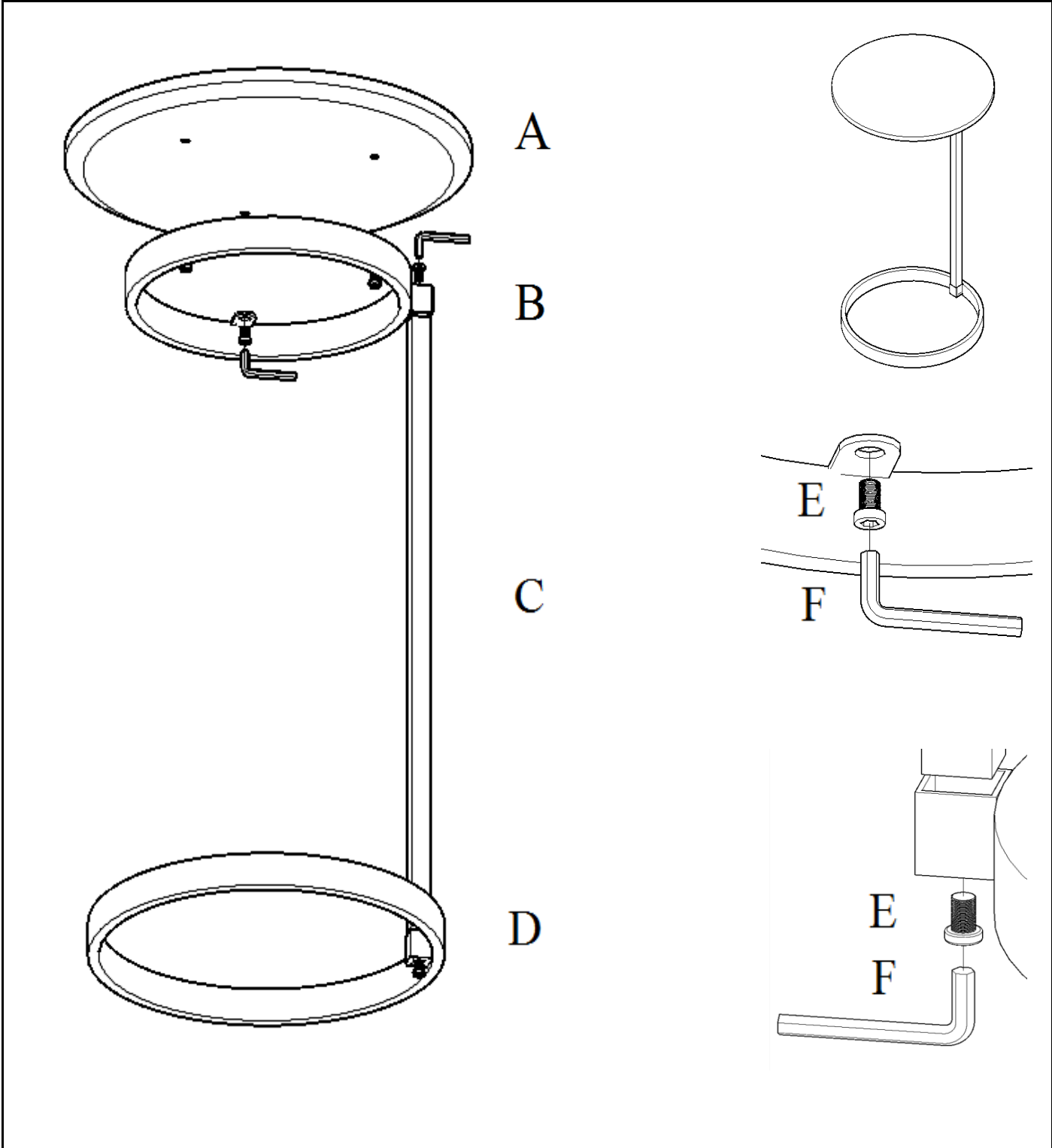


# Kayoom Side Table Kasimir / MDF



	A*1pc	B*1pc	C*1pc	D*1pc	E*5pc	F*1pc			

**Remark: Don't Tighten any screws until item is fully assembled!**