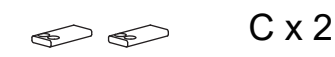
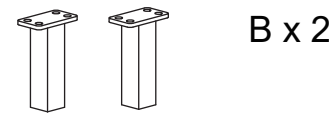
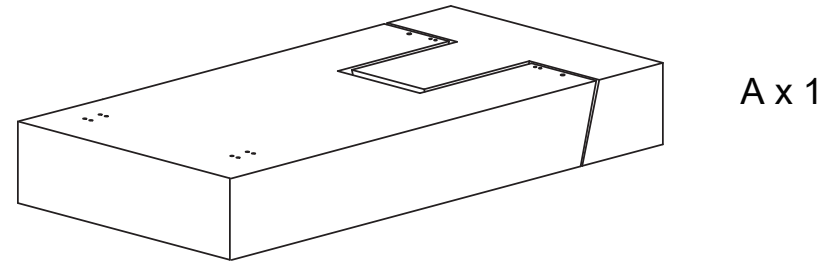
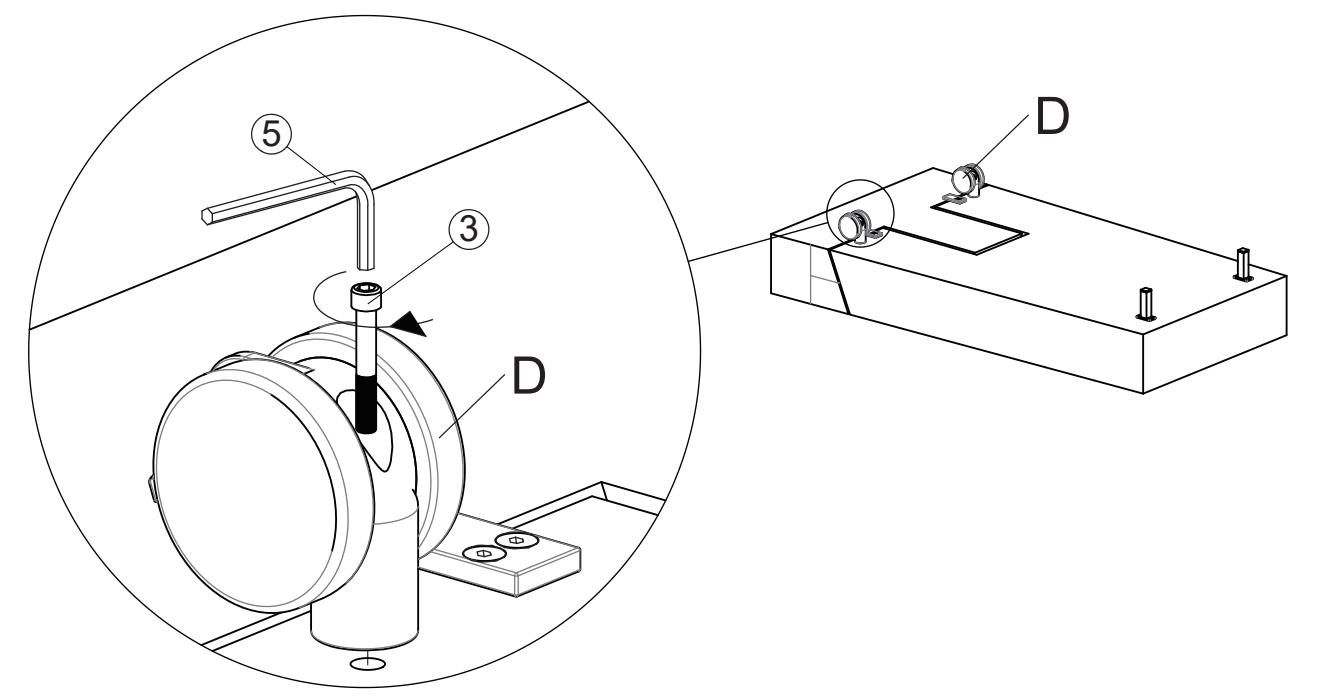
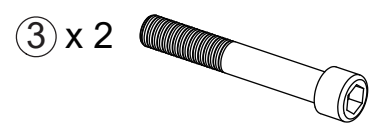




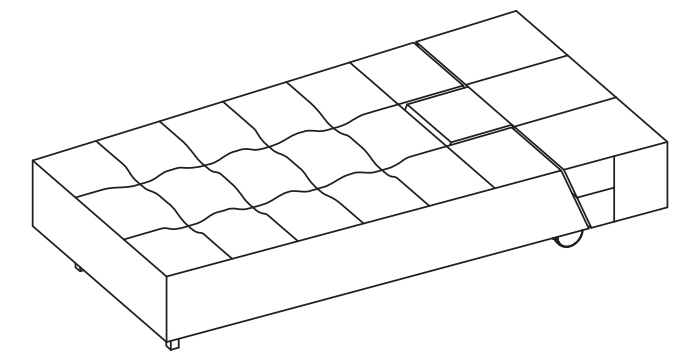
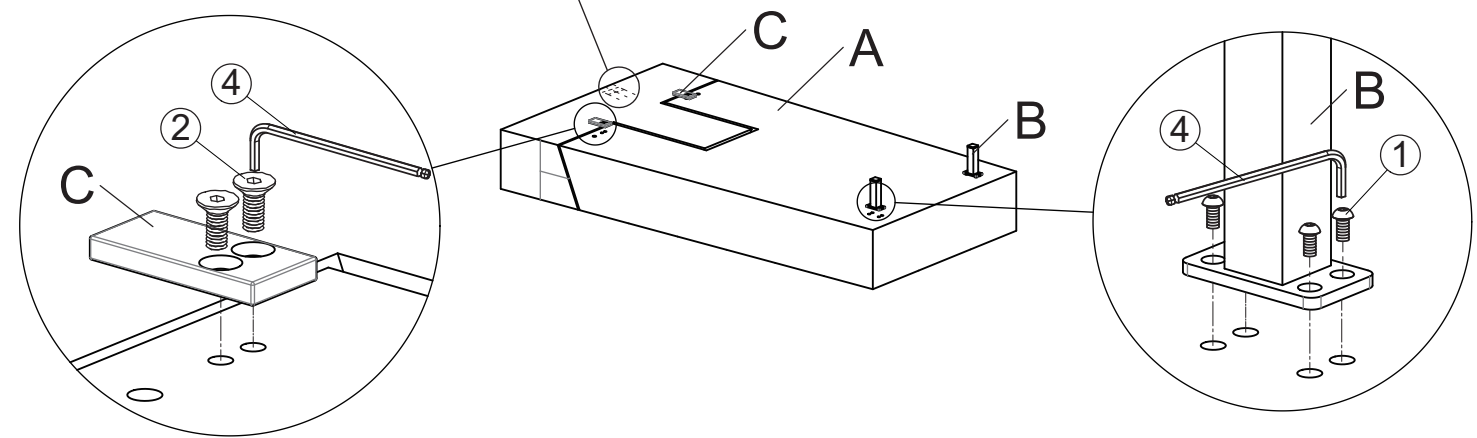
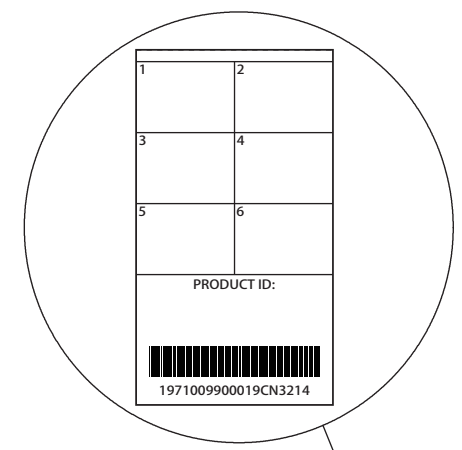
- ① X8
- ② X4
- ③ X2
- ④ X1
- ⑤ X1



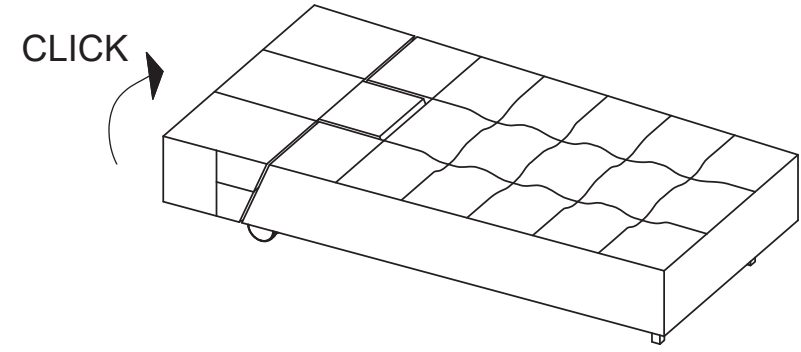
# 2



# 1

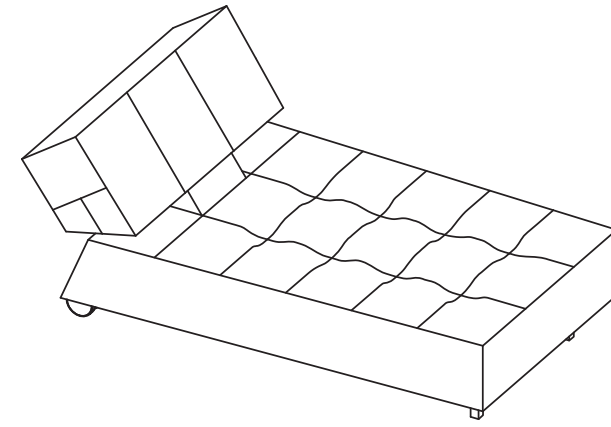


1



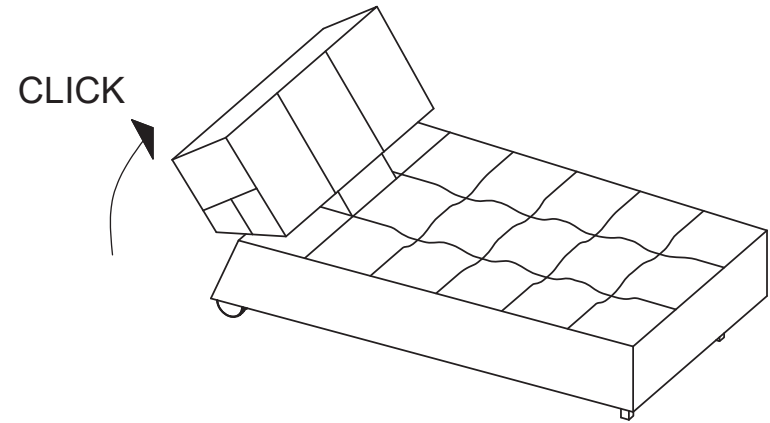
SOVE-SCHLAFEN-SLEEP-DORMIR

2



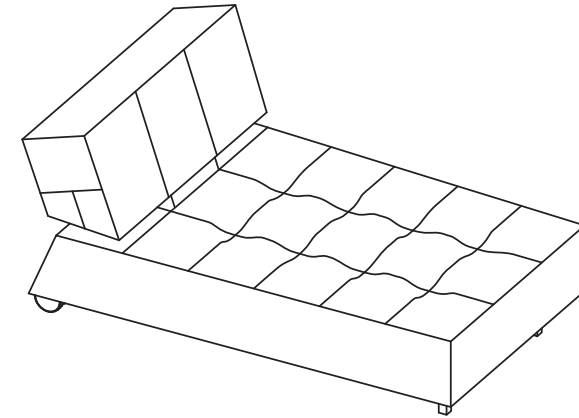
HVILE-RUHE-RELAX-REPOSER

3



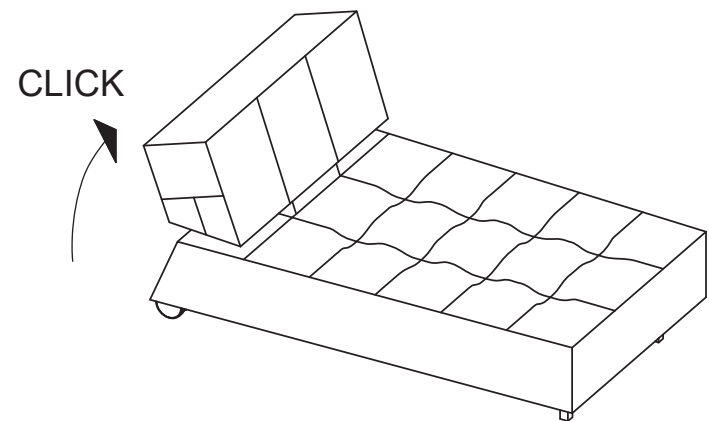
HVILE-RUHE-RELAX-REPOSER

4



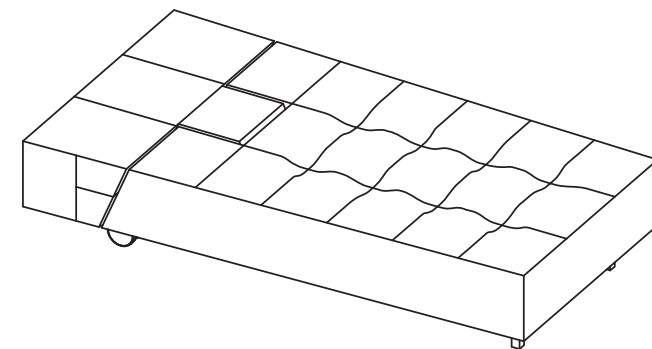
SIDDE-SITZEN-SIT-ASSISE

5



SIDDE-SITZEN-SIT-ASSISE

6



SOVE-SCHLAFEN-SLEEP-DORMIR