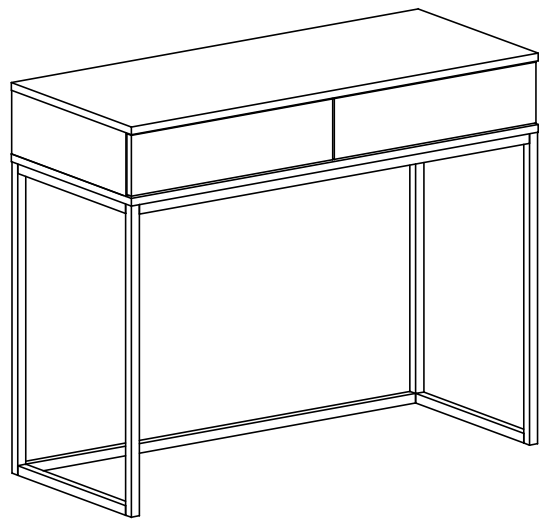
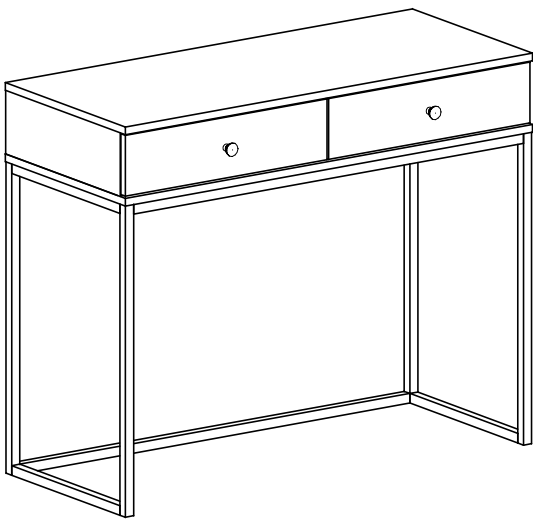
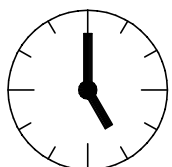
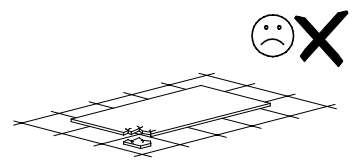
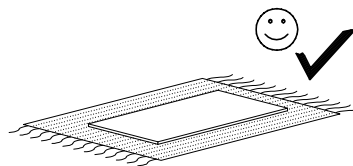
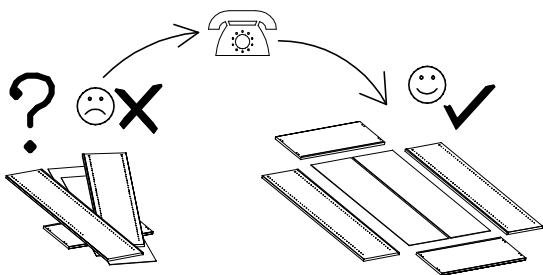
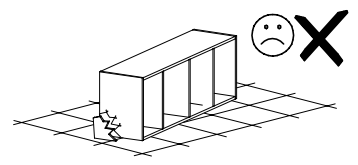
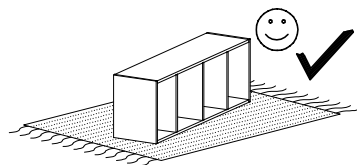
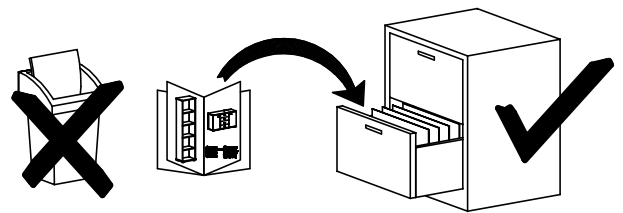
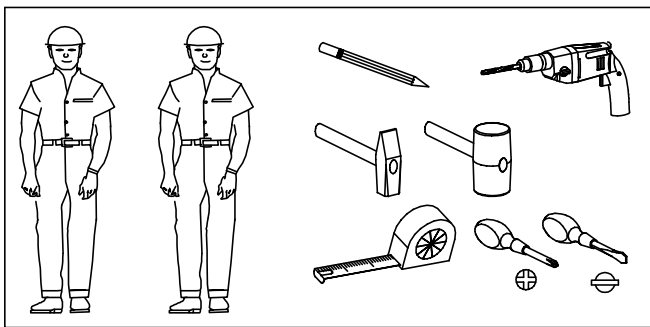


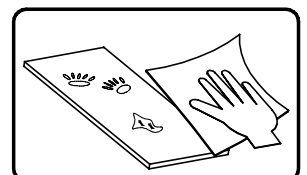
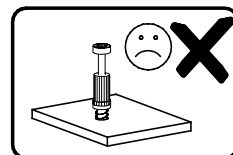
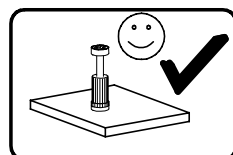
# GLAMOUR – table



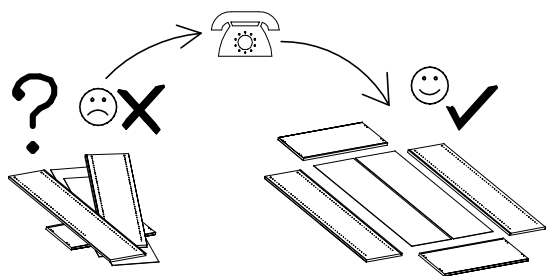
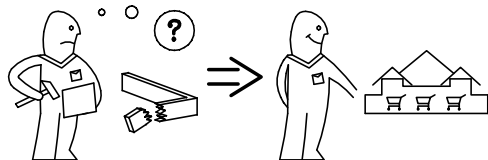
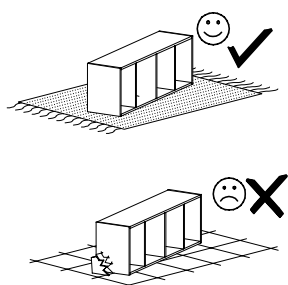
PUSH



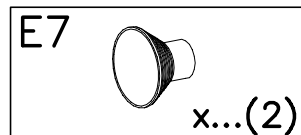
1,5h



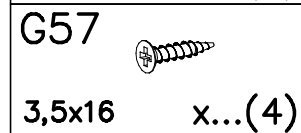
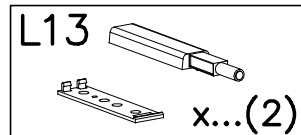
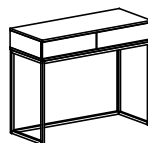
# GLAMOUR – table



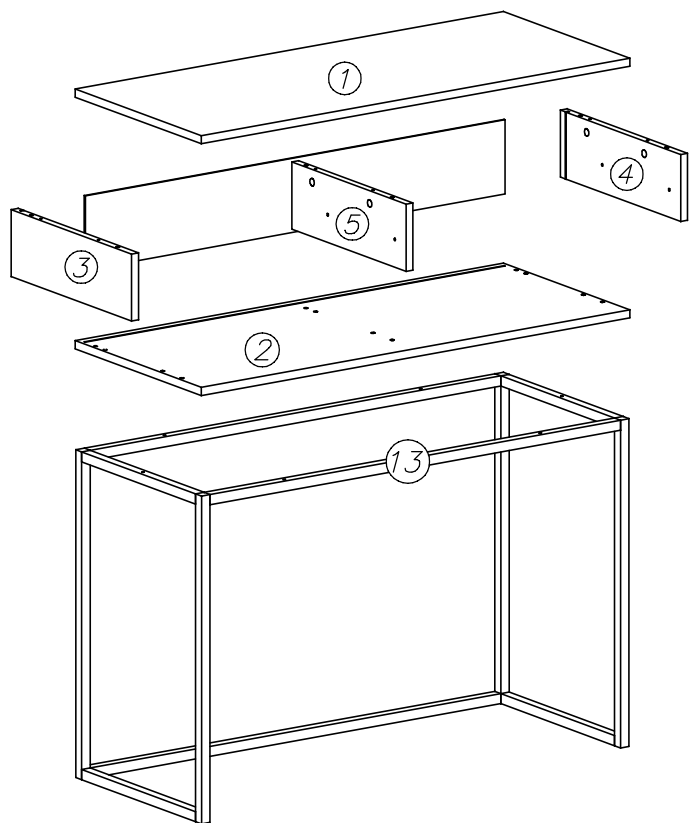
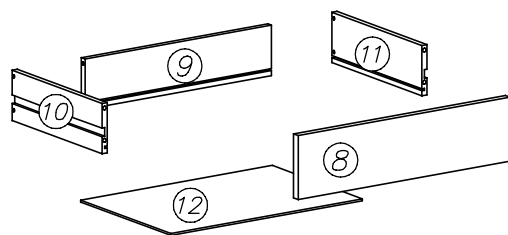
## OPCJA A


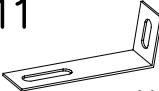

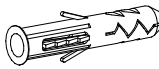


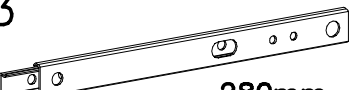


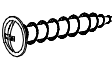
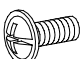
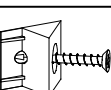

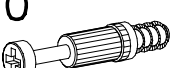

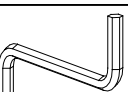




## OPCJA B



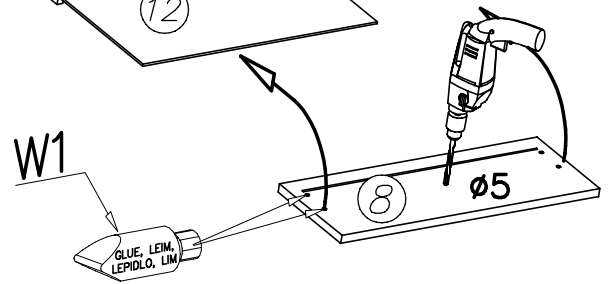
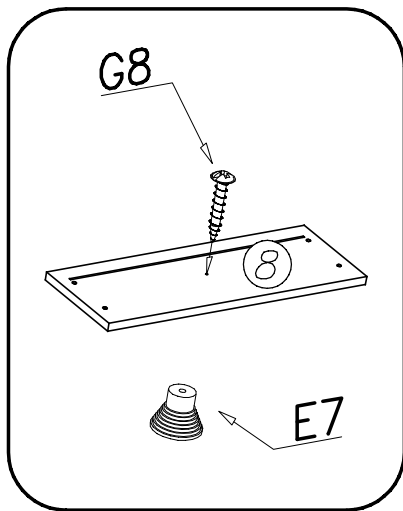
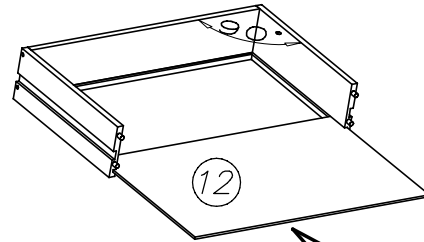
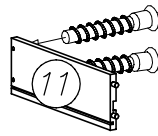
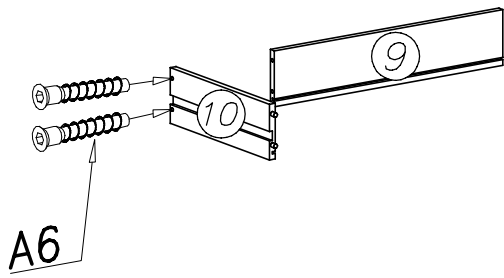
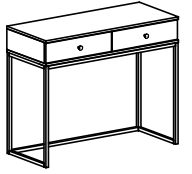
PUSH



	G34  3,5x16 x...(2)	M11  x...(1)	G28  4x60 x...(1)	U6  ø8x40 x...(1)
I22  x...(4)	G49  6x20 x...(4)	H3  280mm x...(4)	G50  6x13 x...(4)	
K1  ø15x12 x...(6)	G8  4x30 x...(8)	N1  M4x9 x...(4)	I1  x...(4)	W1  GLUE, LEIM, LEPIDLO, LIM x...(1)
K10  x...(6)	B1  ø8x35 x...(20)	W2  x...(1)	A6  ø7x40 x...(8)	A1  ø7x50 x...(6)

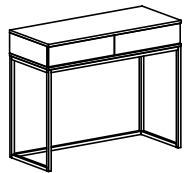
I

OPCJA A

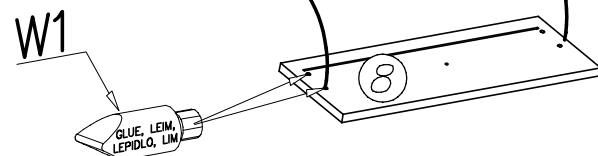
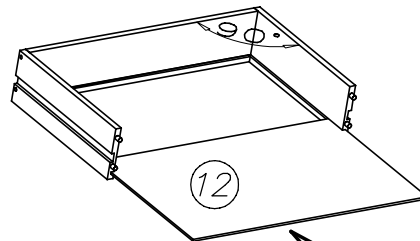
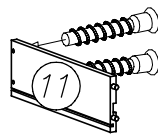
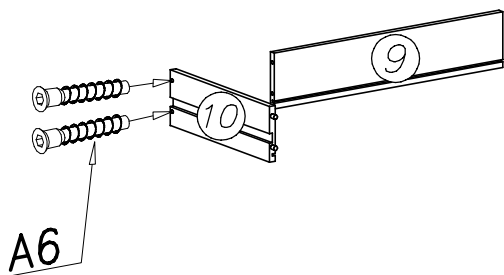


II

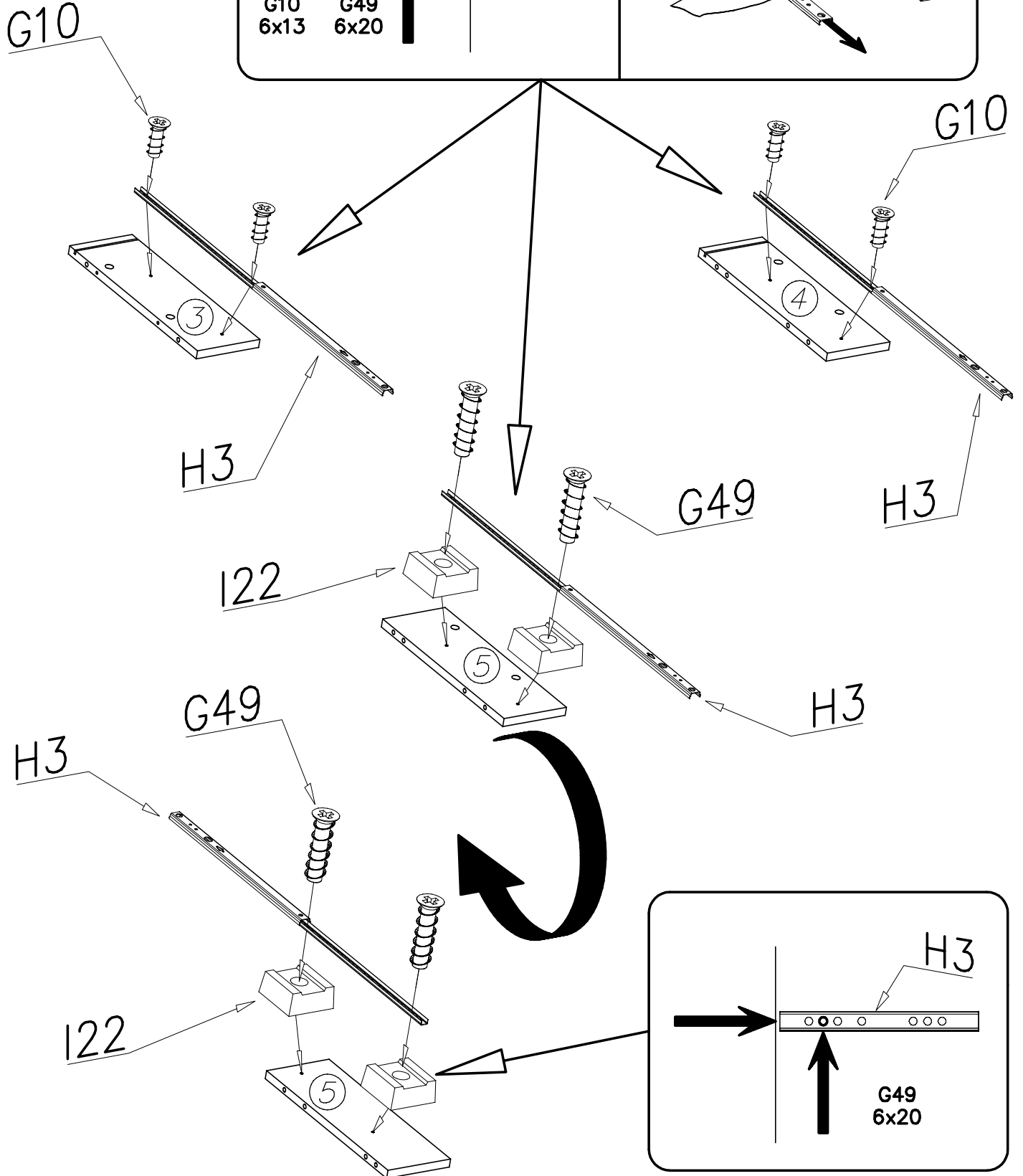
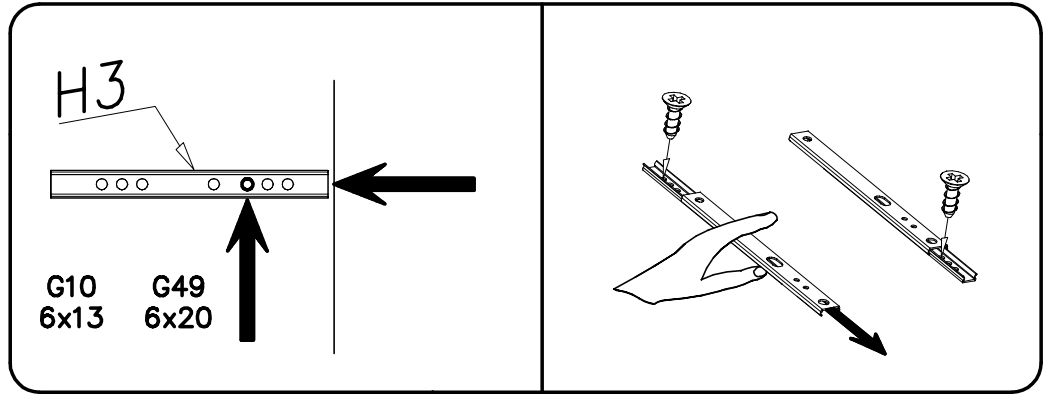
OPCJA B



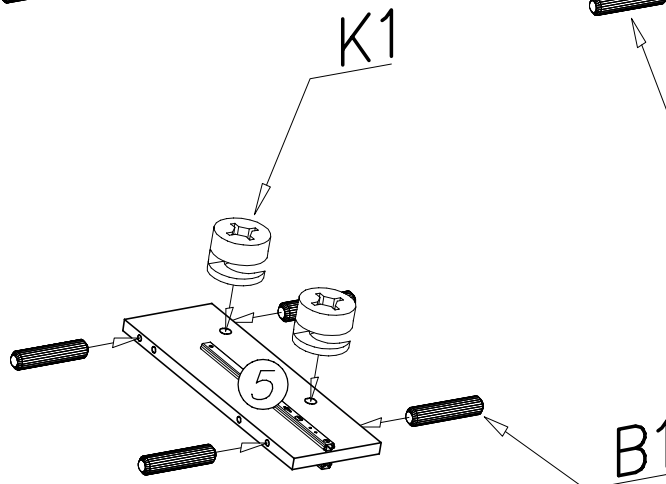
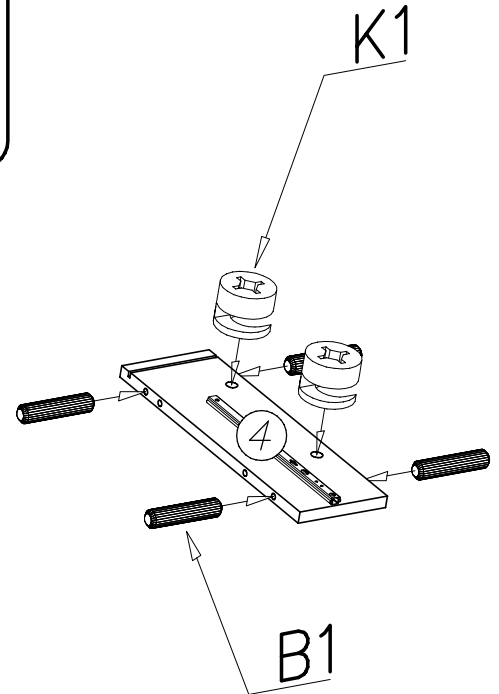
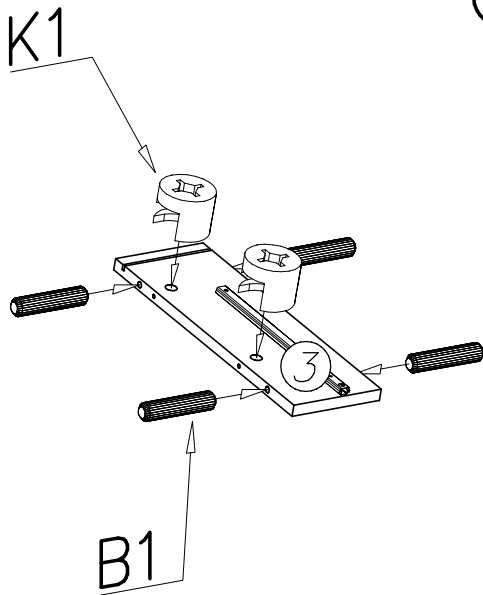
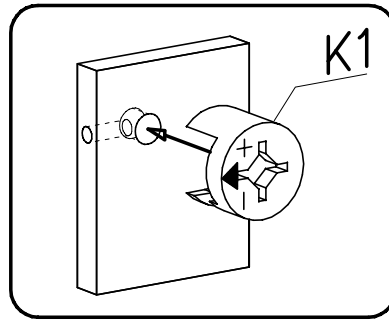
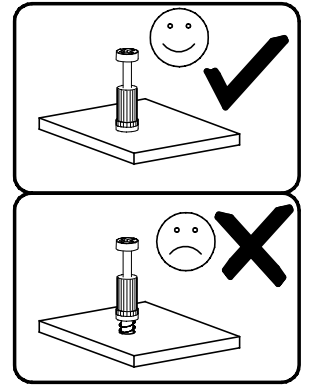
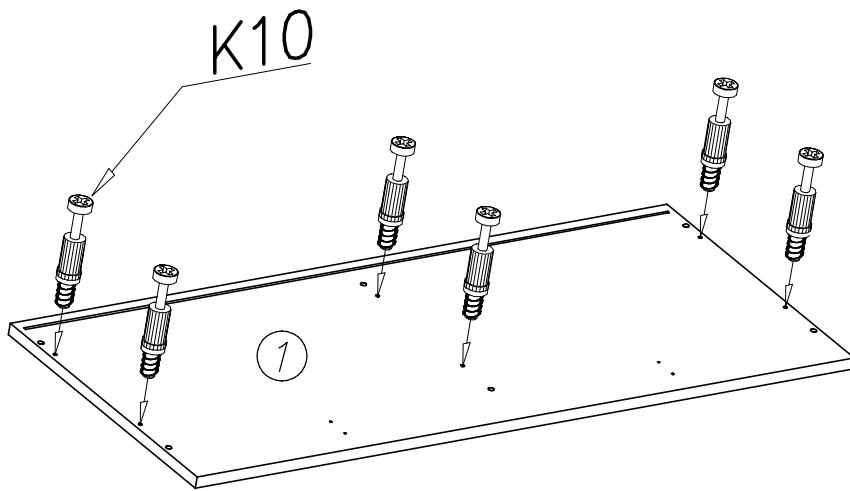
PUSH



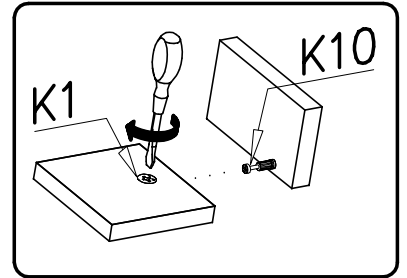
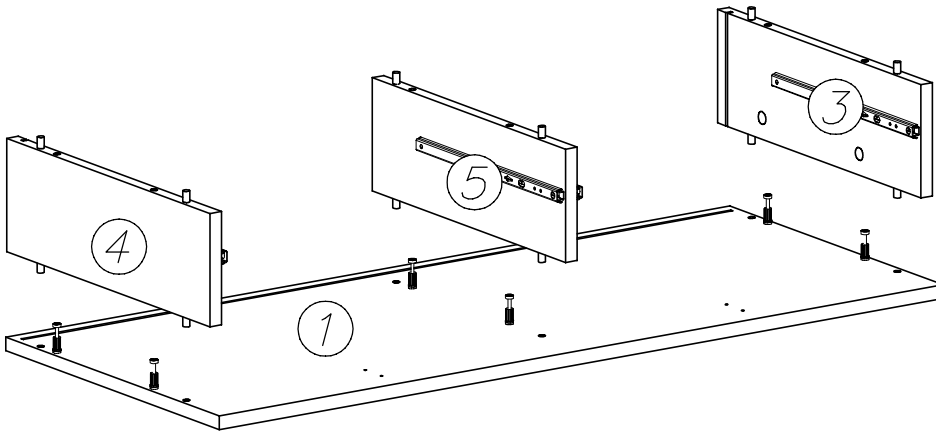
## III



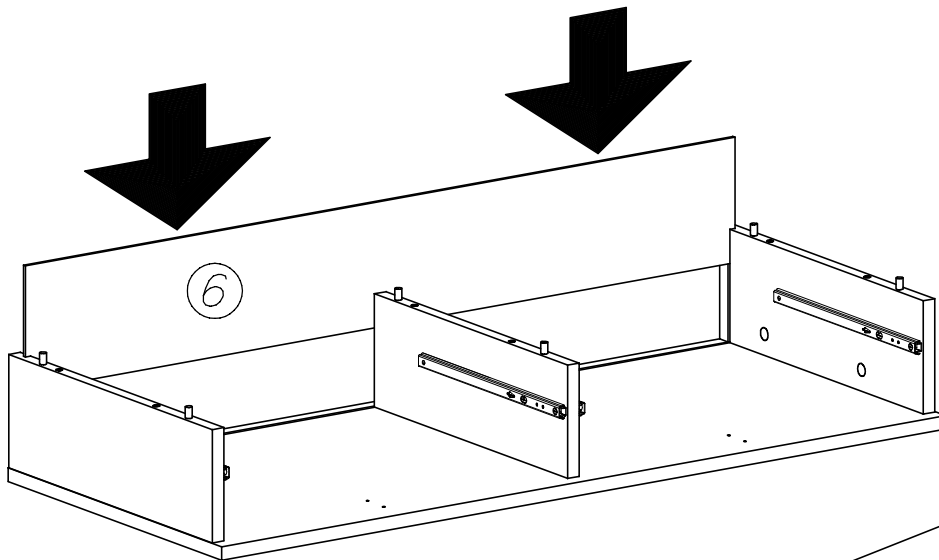
IV



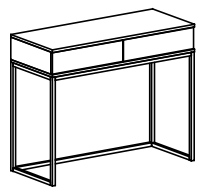
V



VI

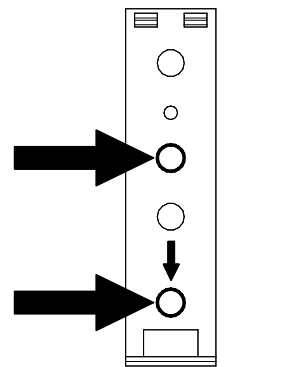
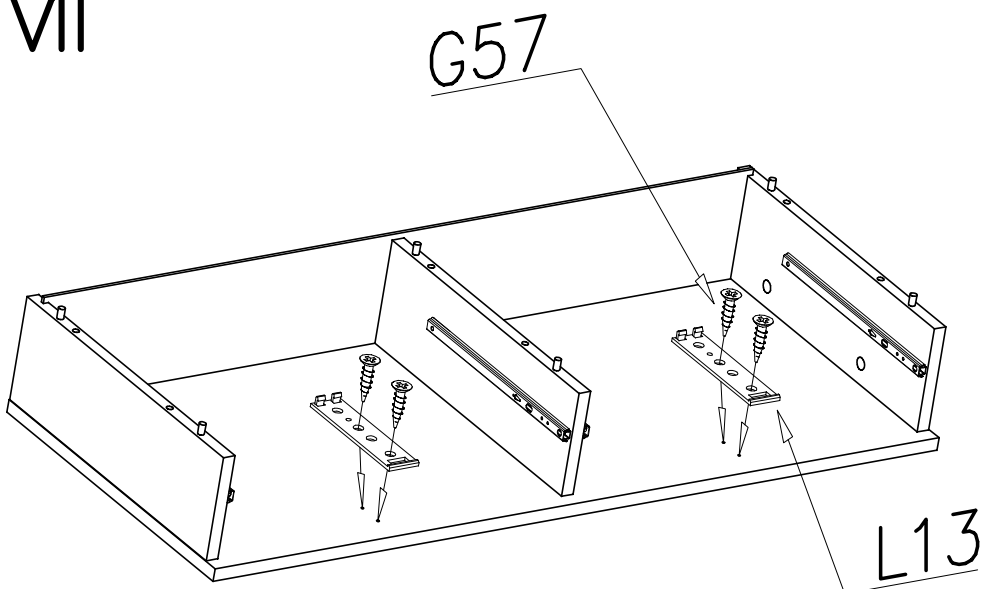


OPCJA B



PUSH

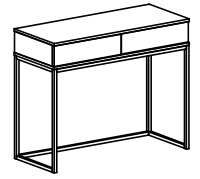
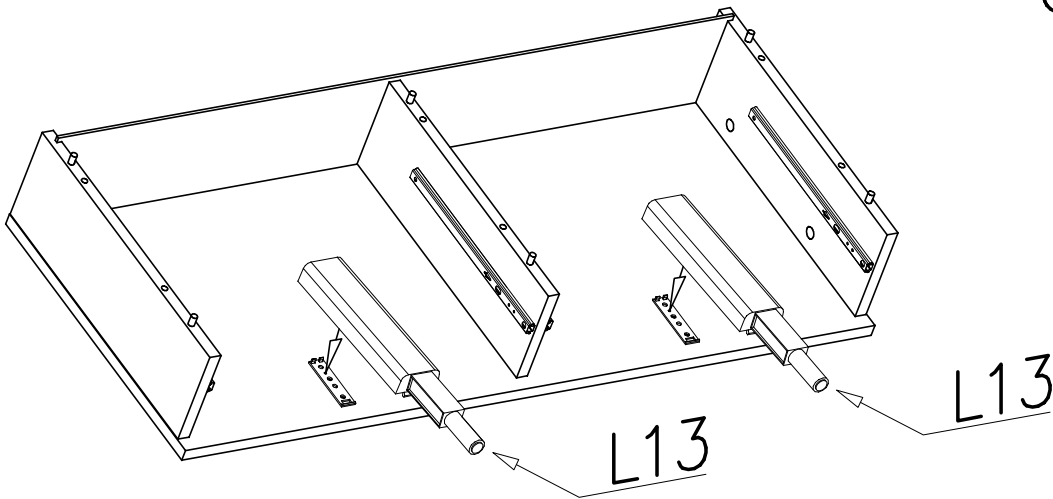
VII



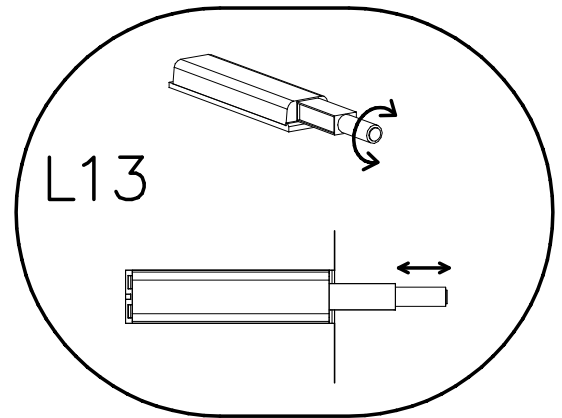
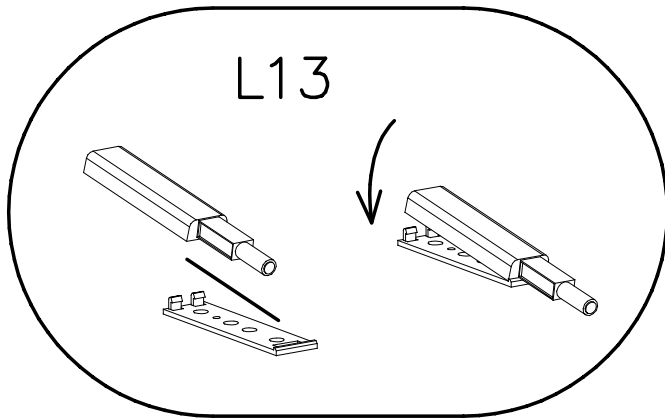
front

## VIII

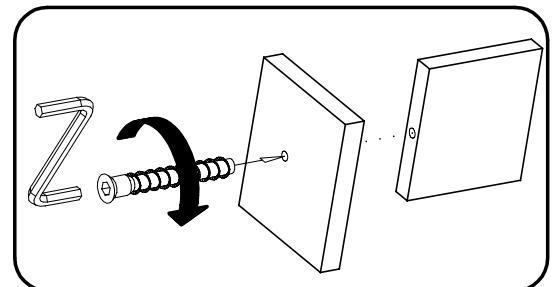
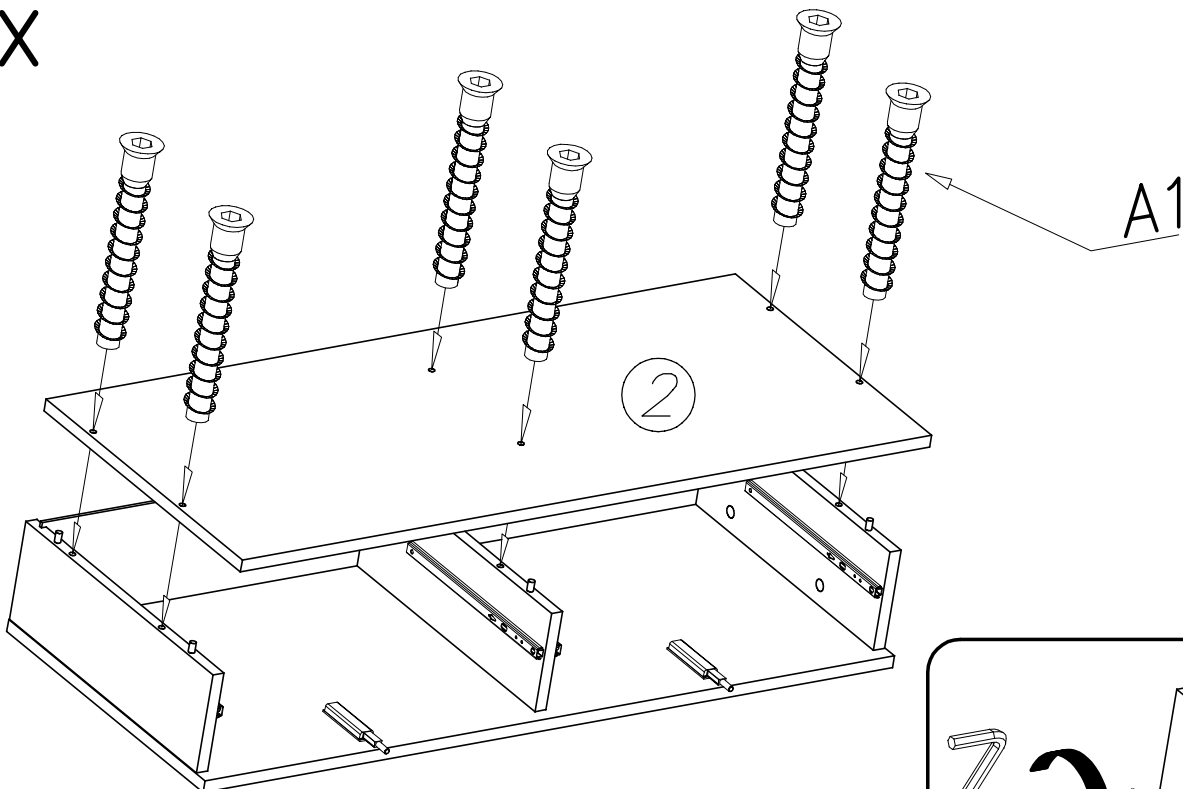
OPCJA B



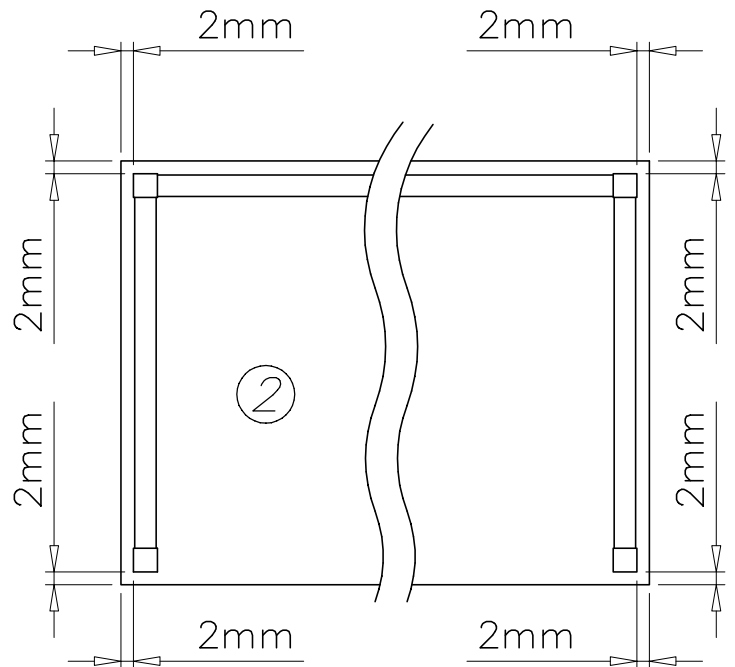
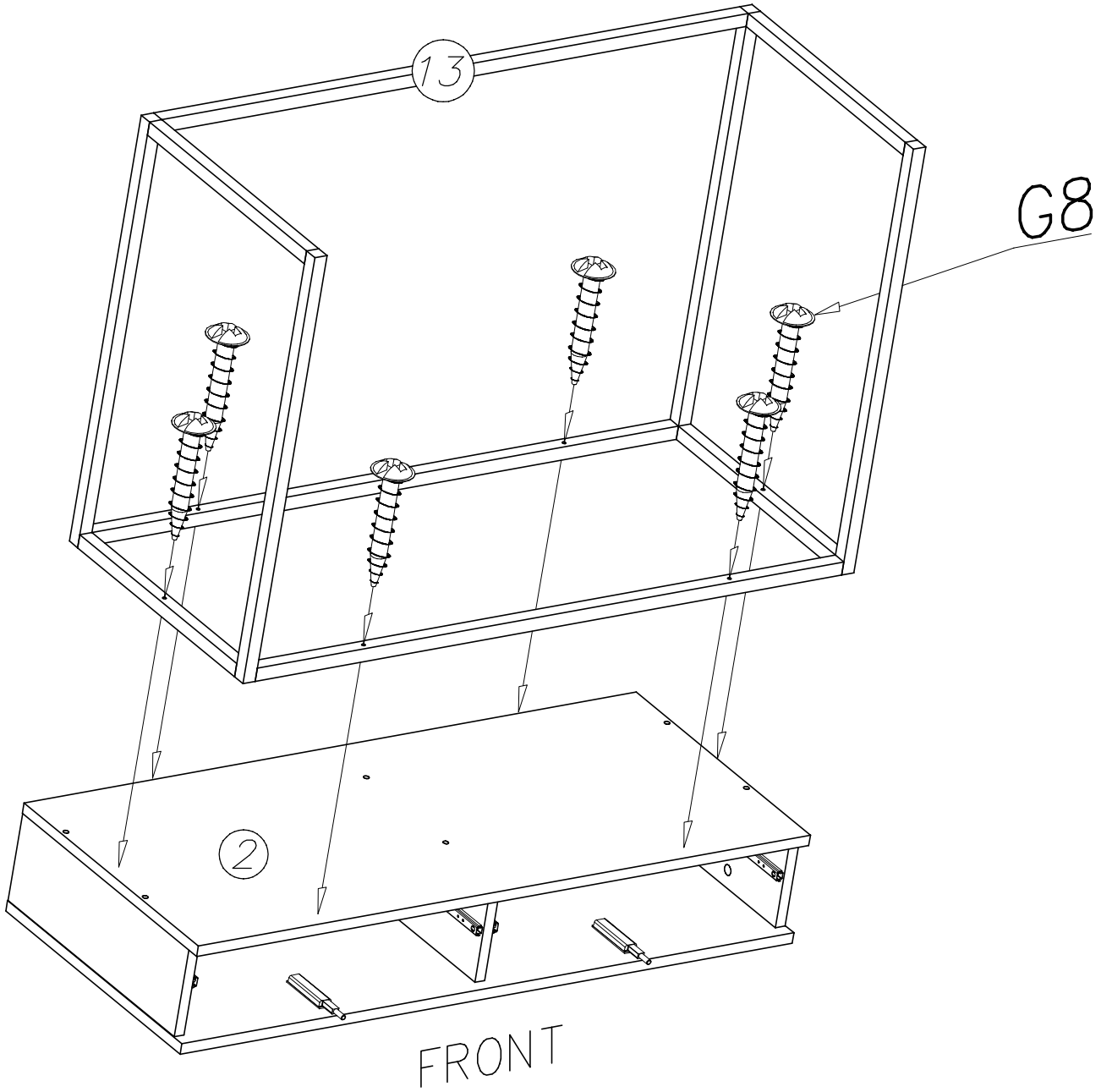
PUSH



## IX

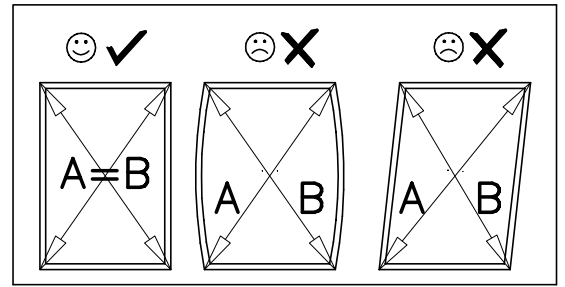


X

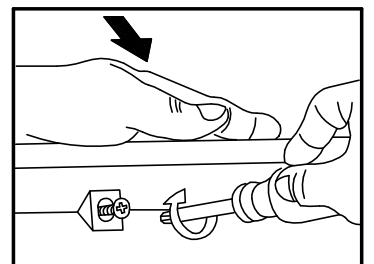
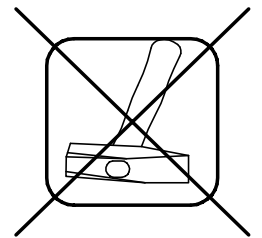
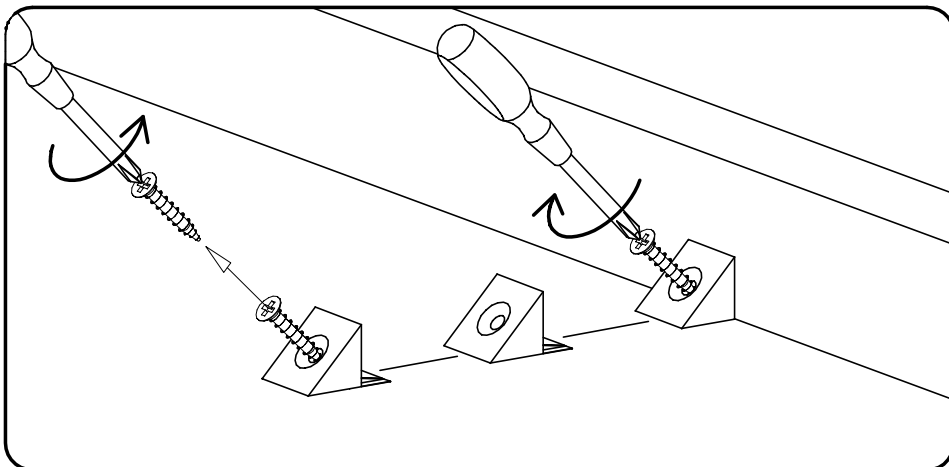
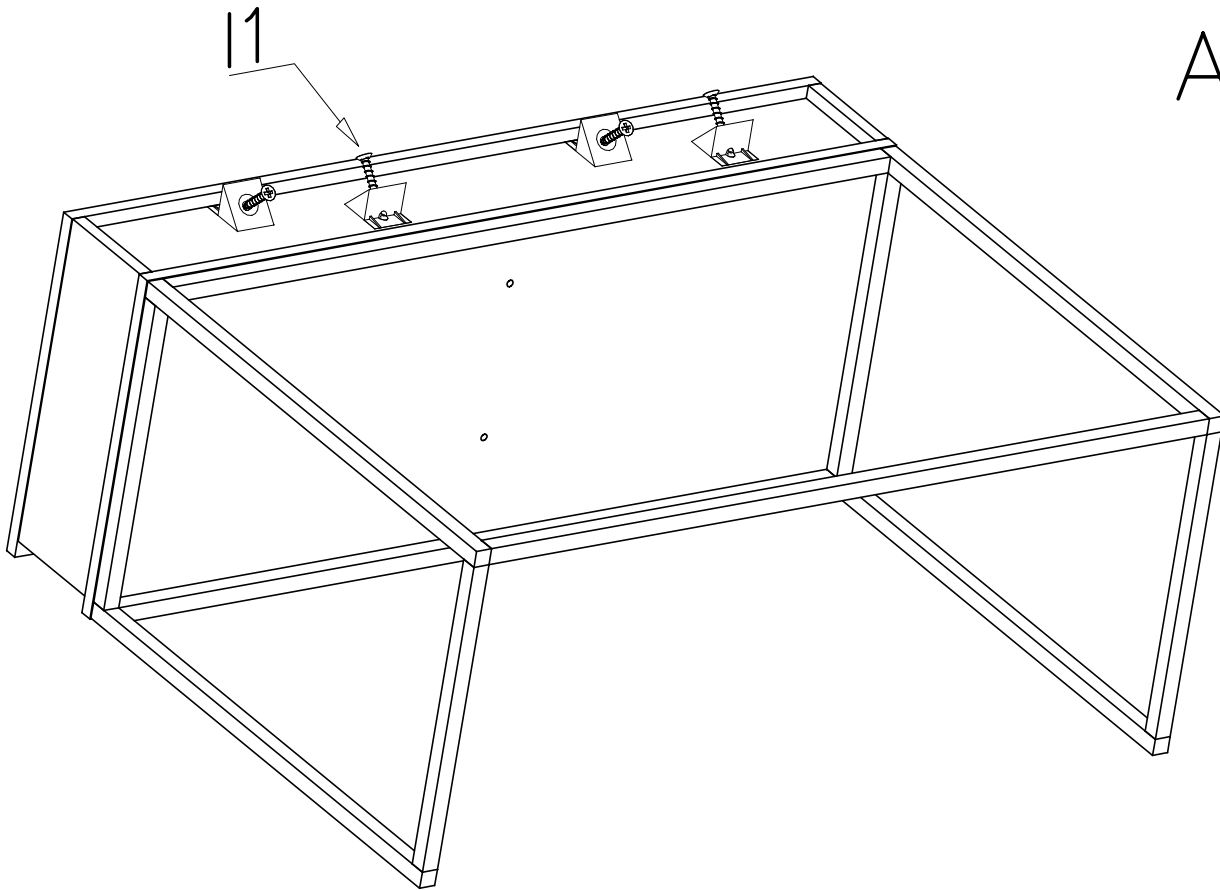


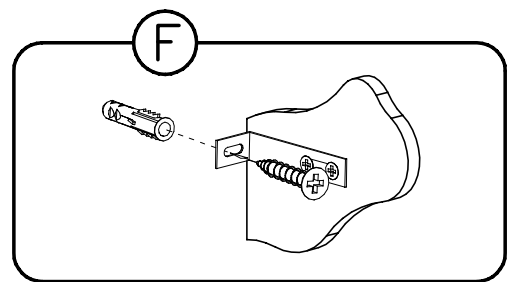
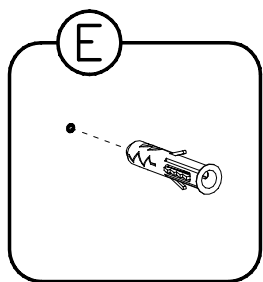
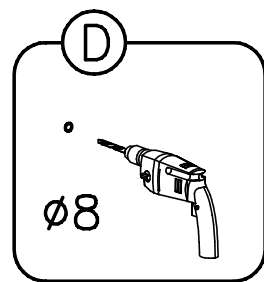
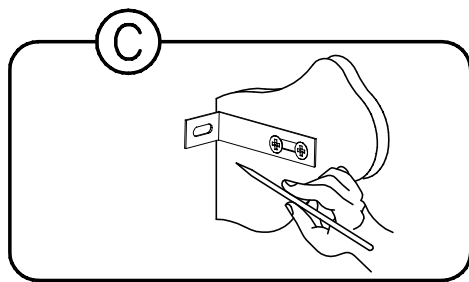
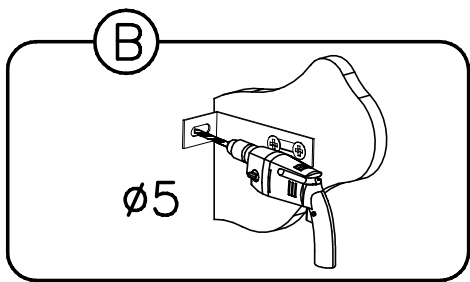
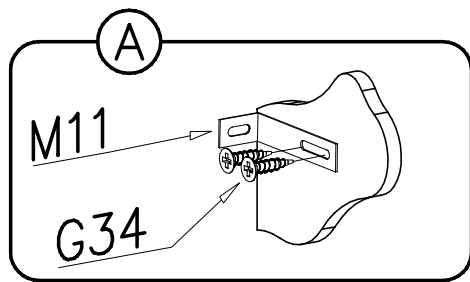


## XI

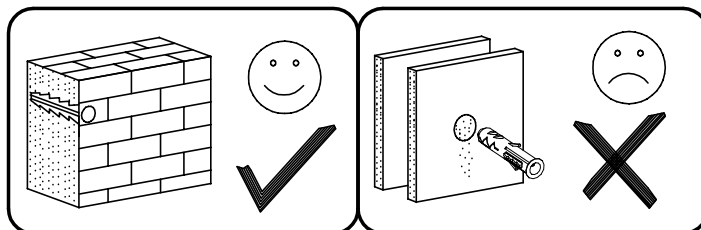
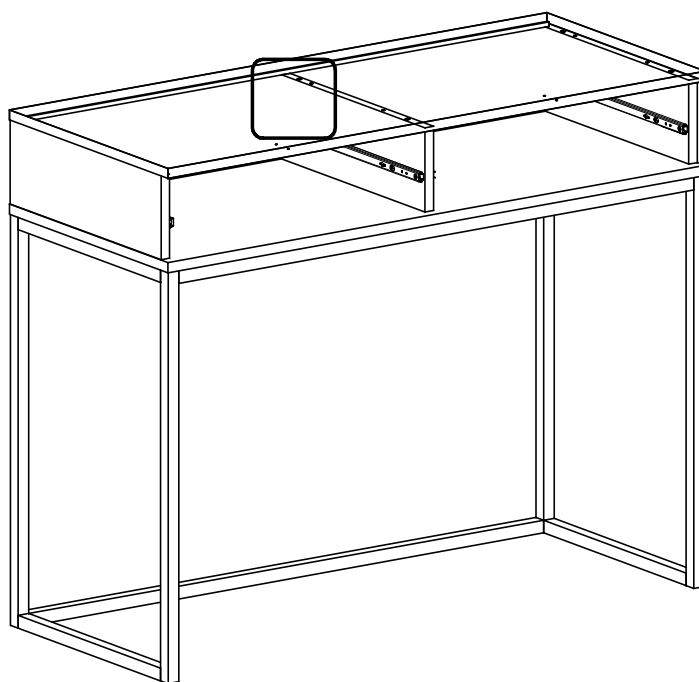


A=B

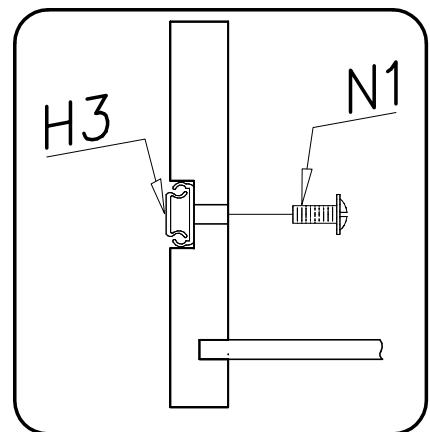
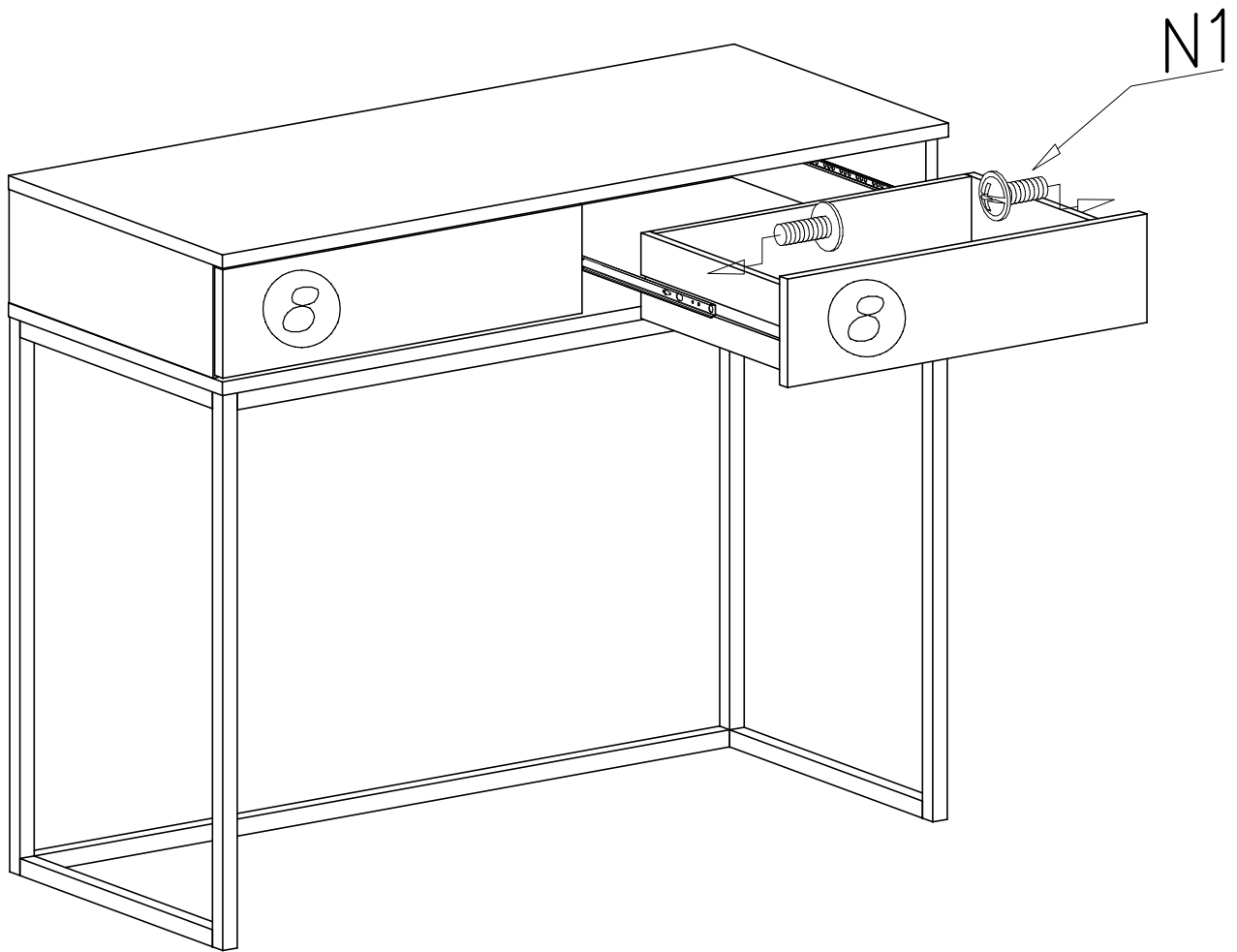


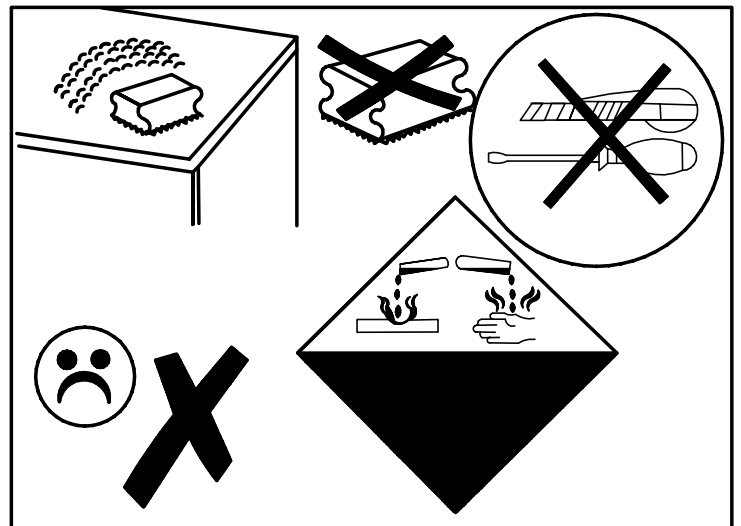
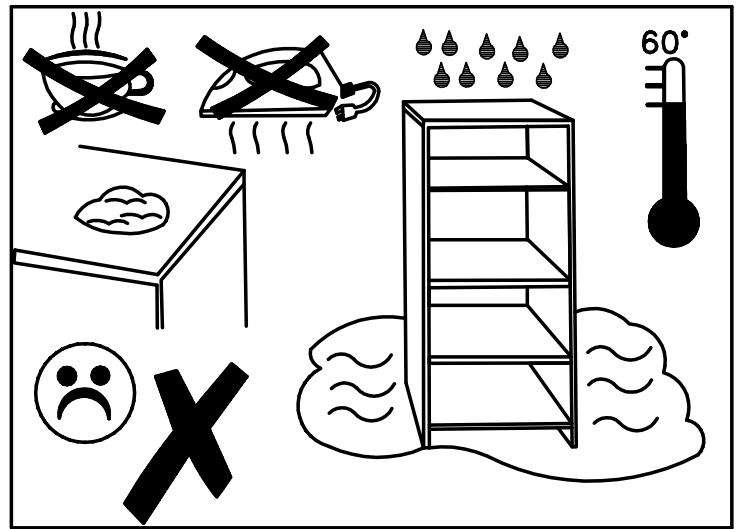
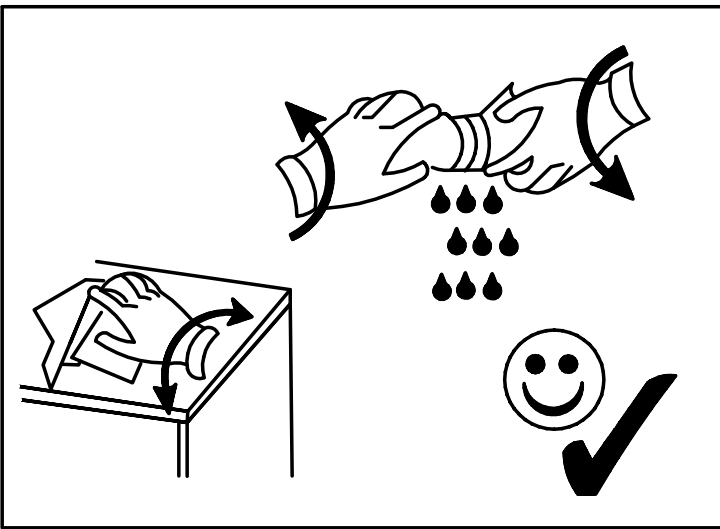
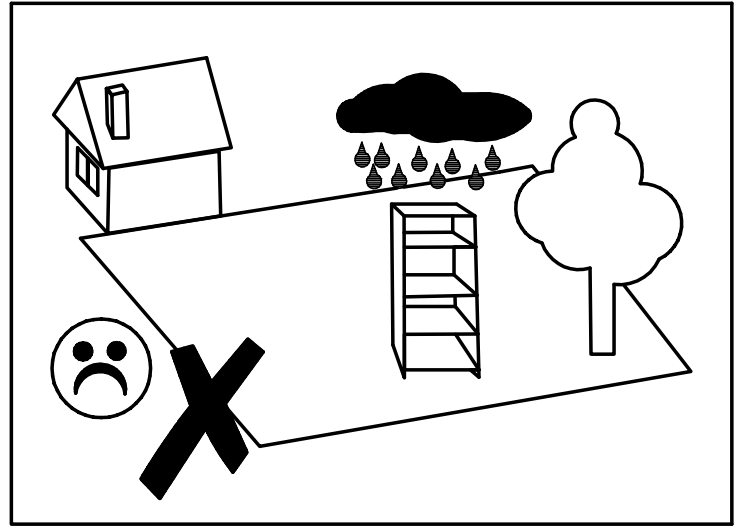
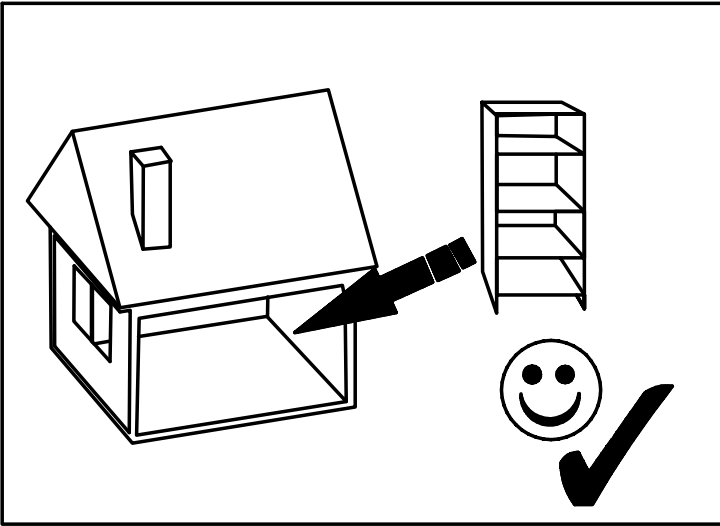


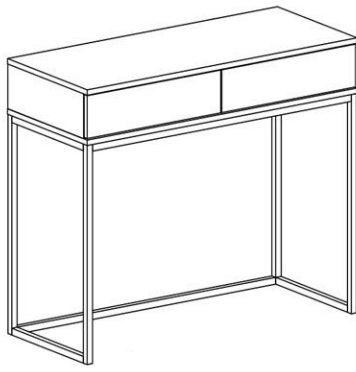
## XII



XIII







1

A



x1

B



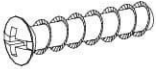
x1

C



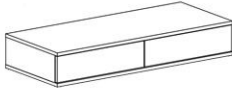
x4

D



x8

E

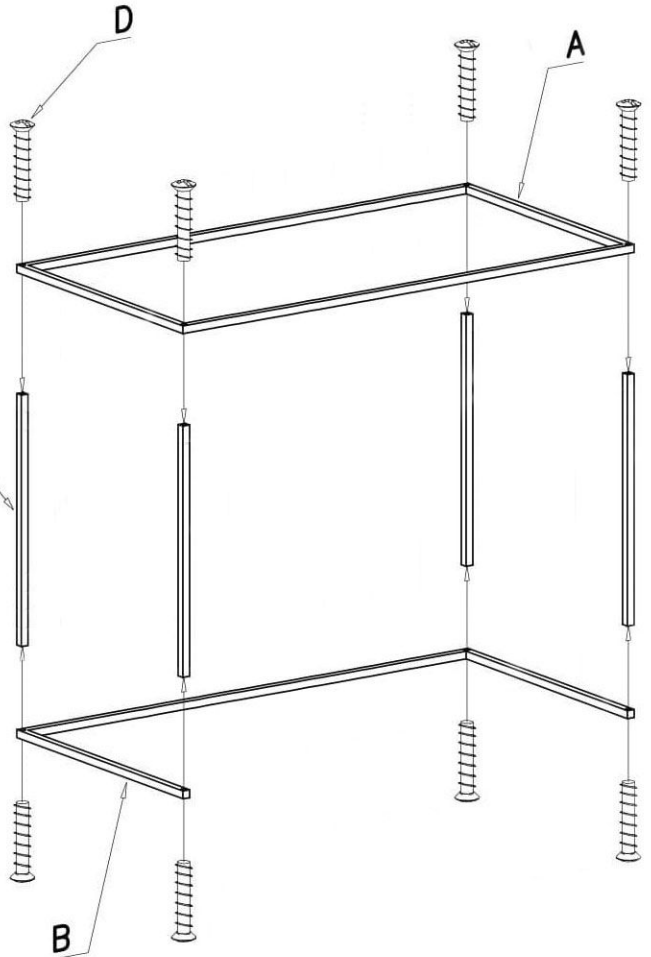
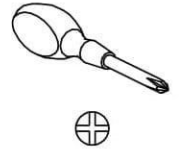


x1

F



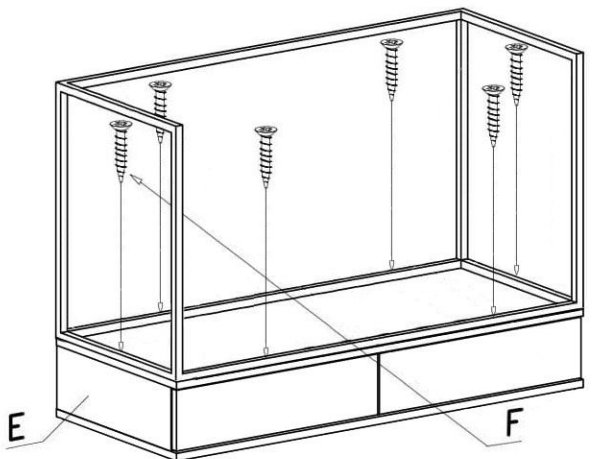
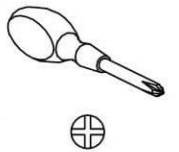
x6



C

B

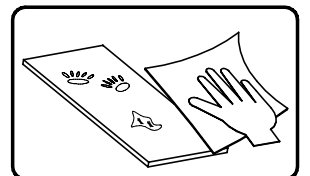
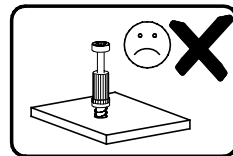
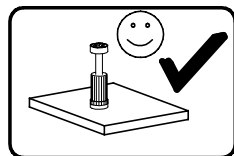
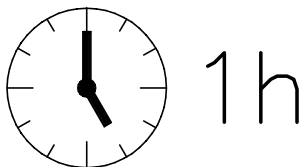
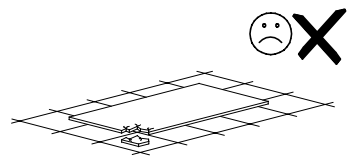
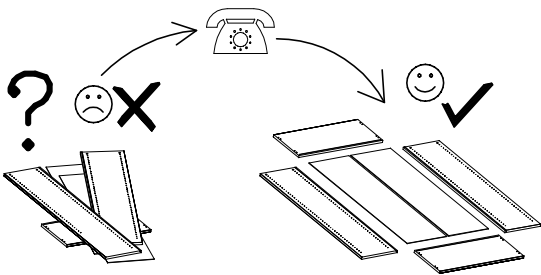
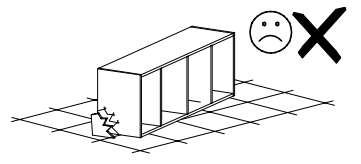
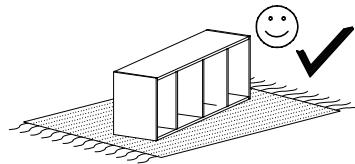
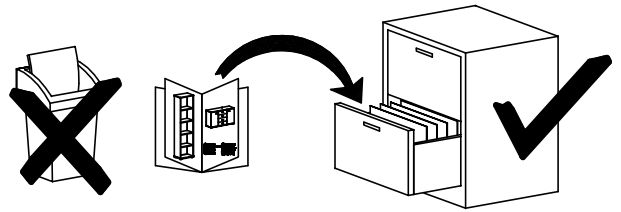
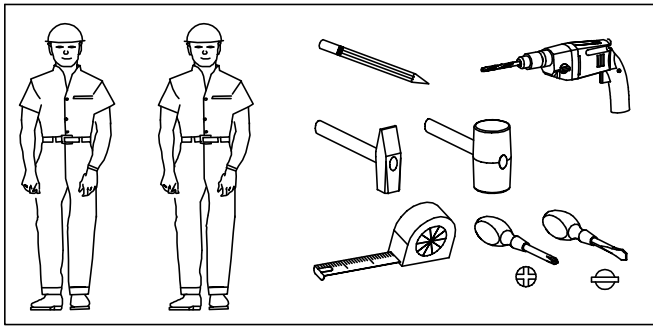
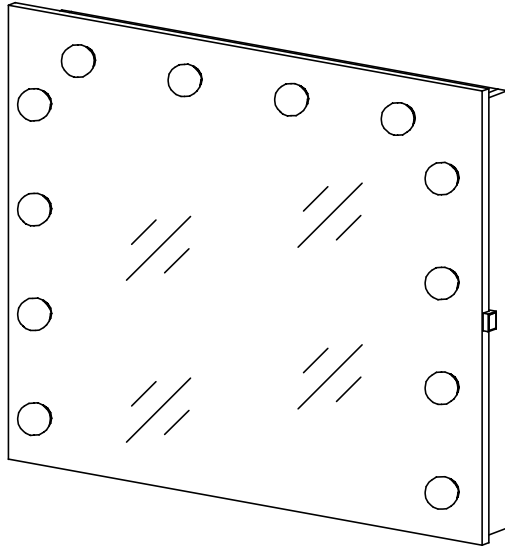
2



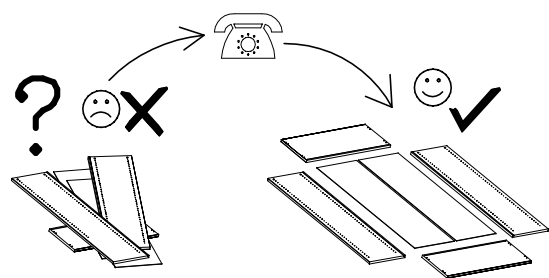
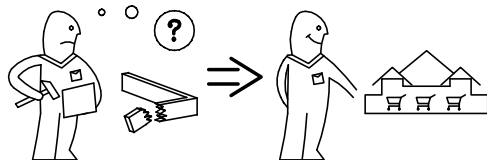
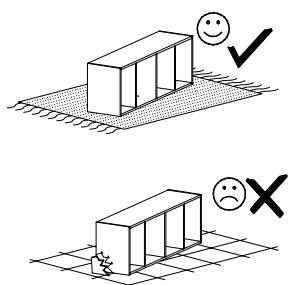
E

F

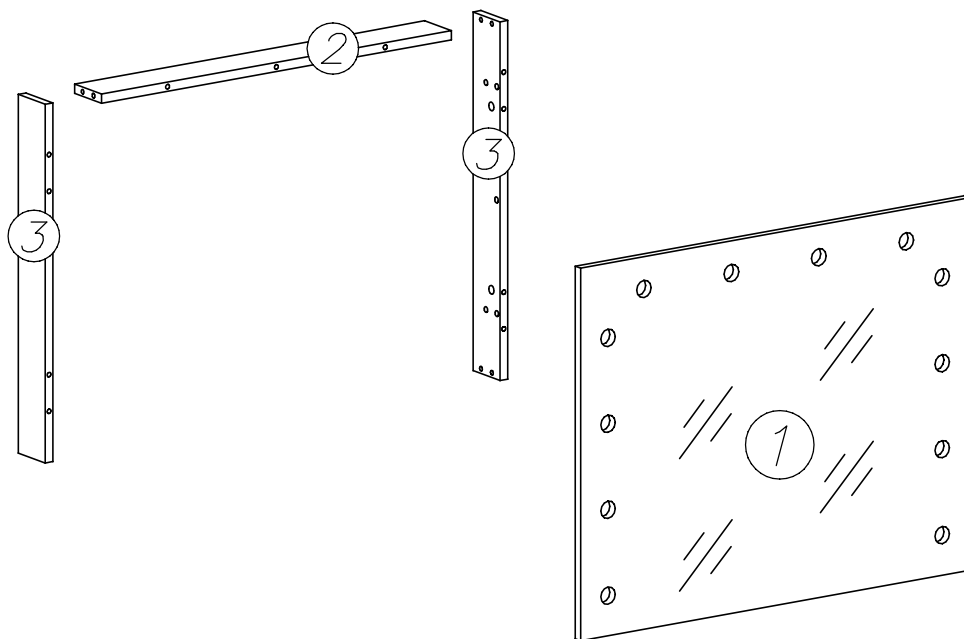
# ESCADO ELITE



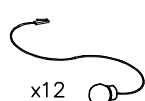
# ESCADO ELITE




nr	L[mm]	B[mm]	T[mm]	Menge	Colli
1	650	800	20	1	1/1
2	720	79	16	1	1/1
3	626	79	16	2	1/1

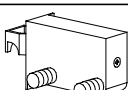


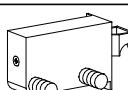
W20

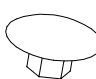


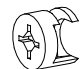
x...(1)

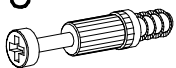
G34  
  
 3,5x16 x...(1)


U9L  
  
 x...(1)

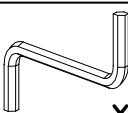
U9R  
  
 x...(1)

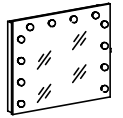
I7  
  
 Ø18 x...(5)

K1  
  
 Ø15x12 x...(5)

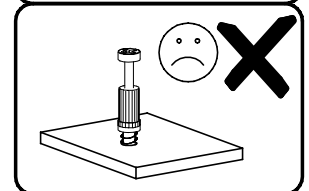
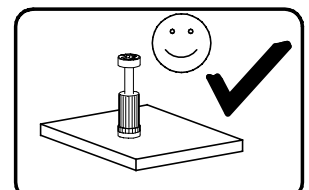
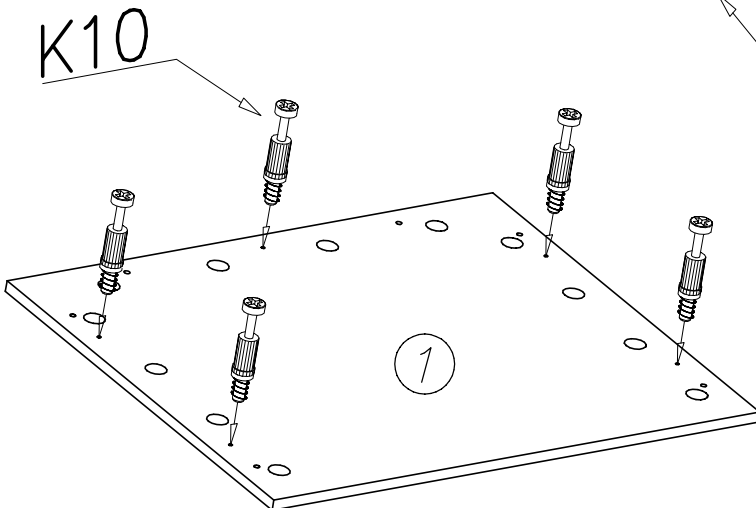
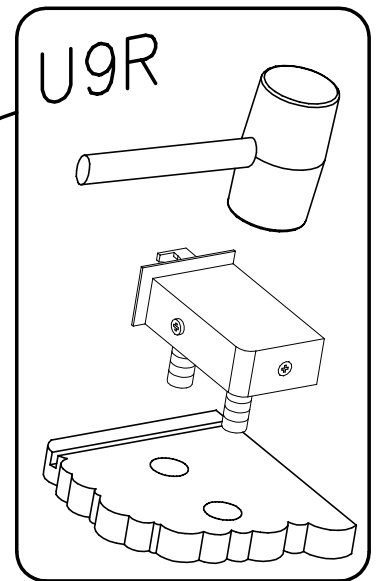
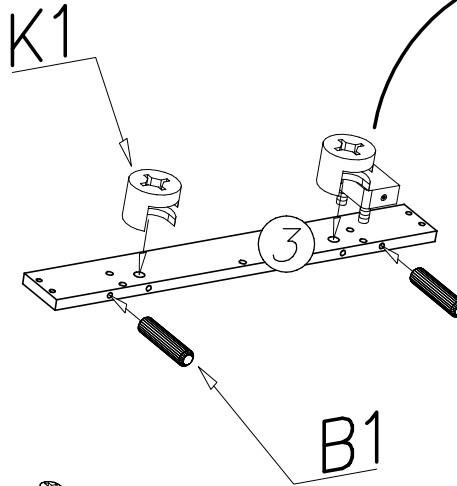
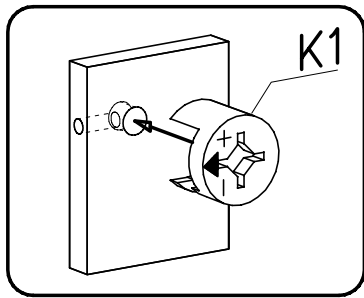
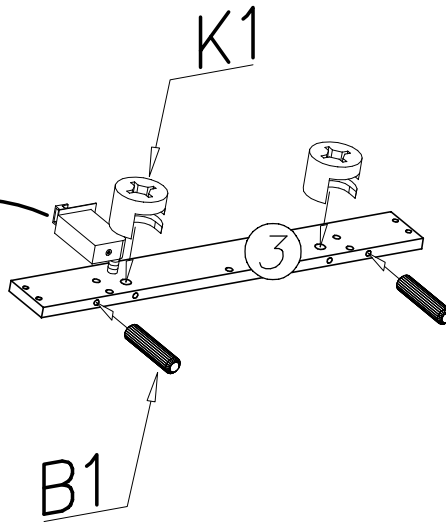
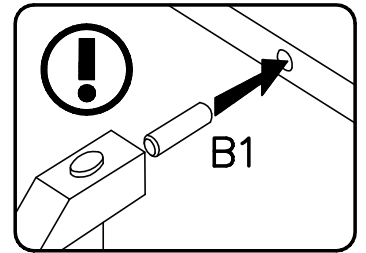
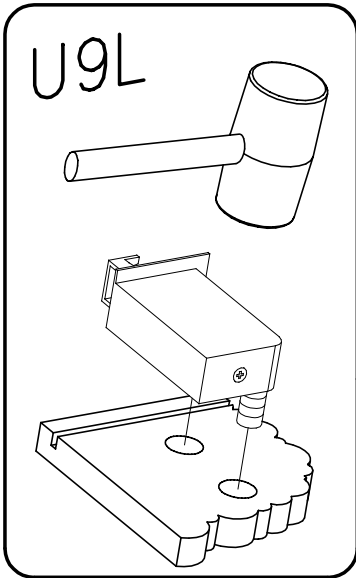
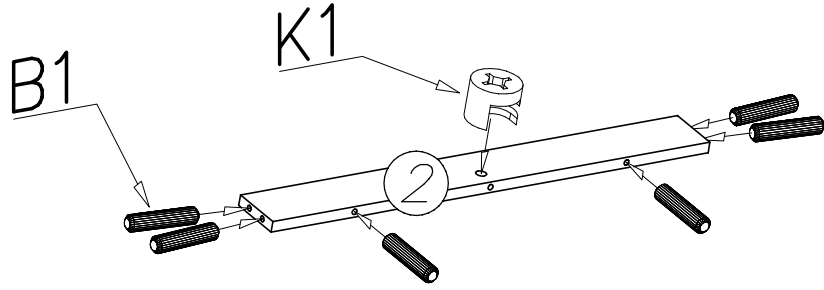
K10  
  
 x...(5)

B1  
  
 Ø8x35 x...(10)

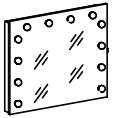
W2  
  
 x...(1)



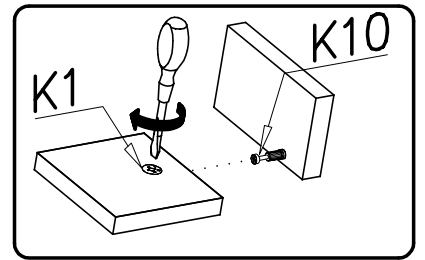
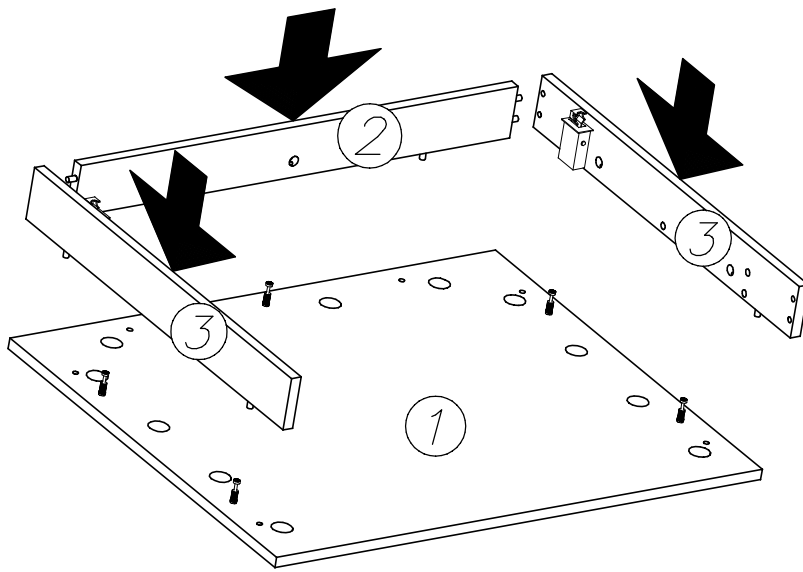
I



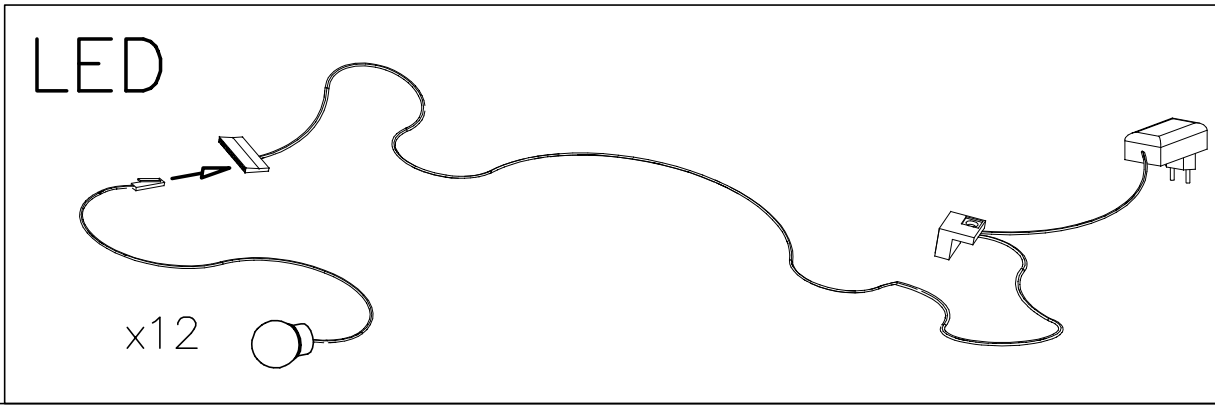
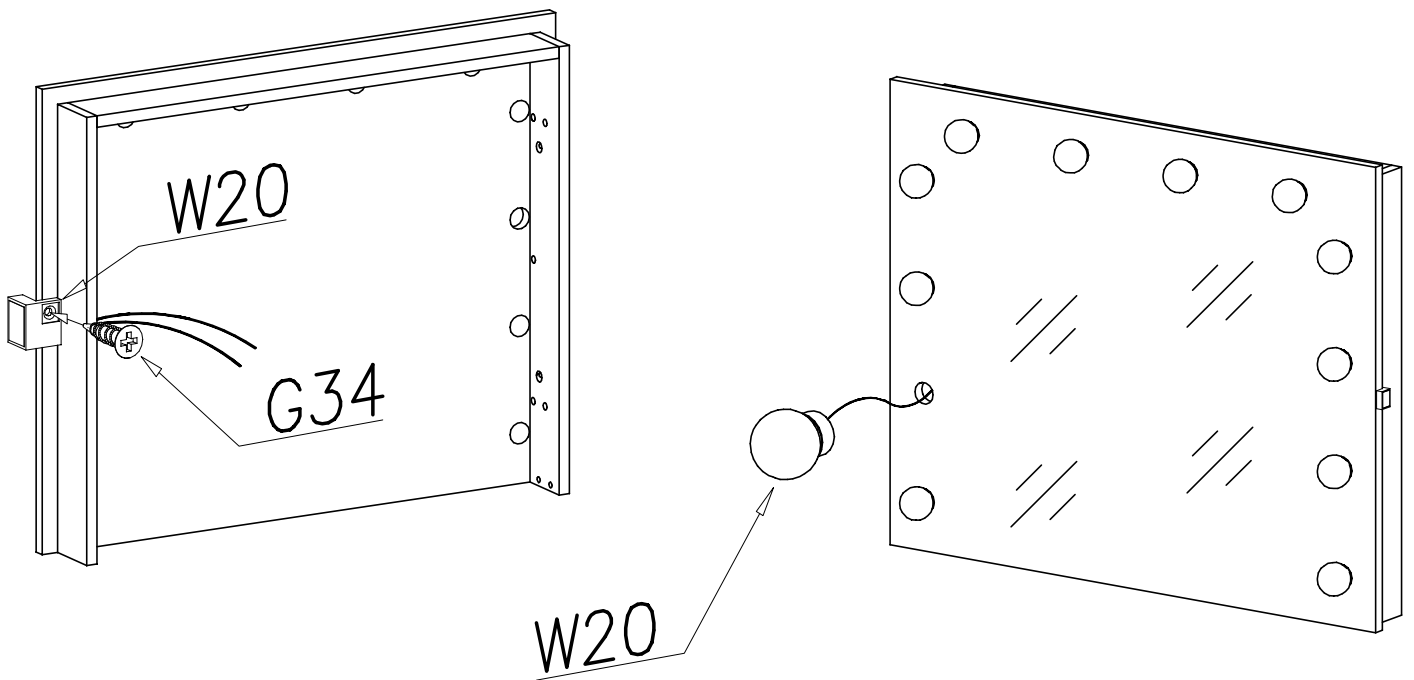


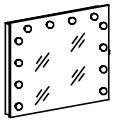


II

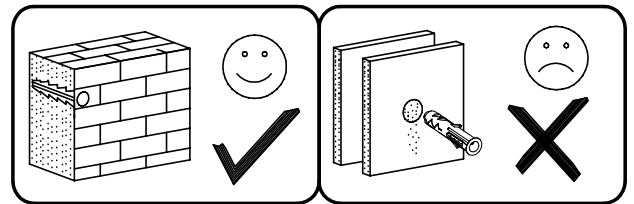
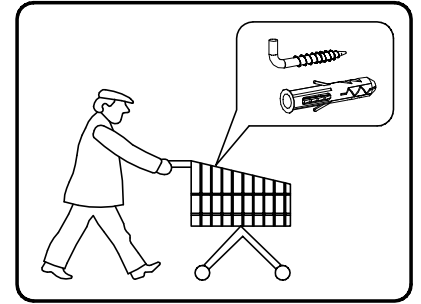
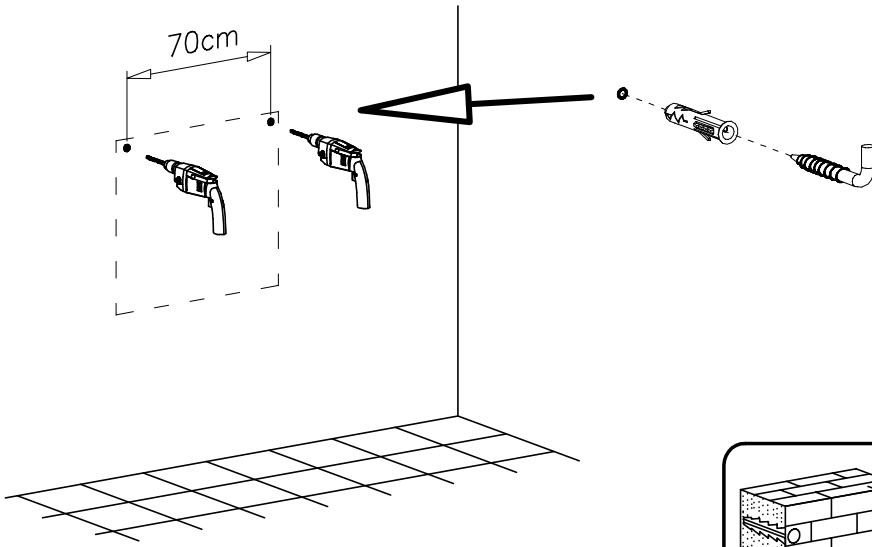


III





## IV



## V

