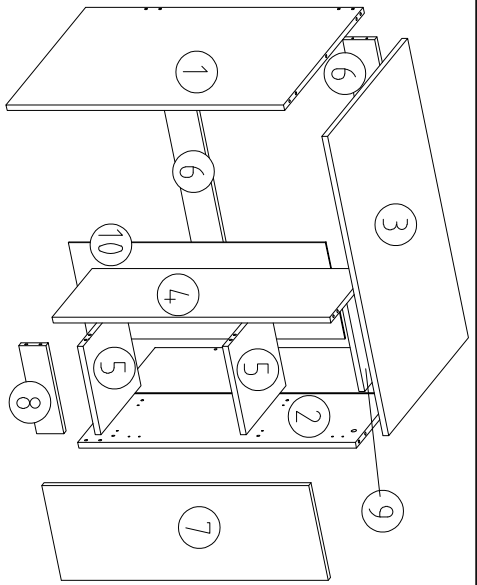
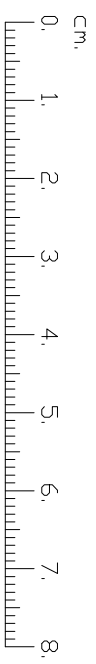
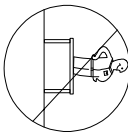
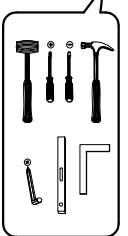
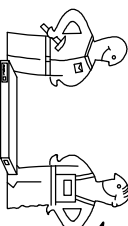
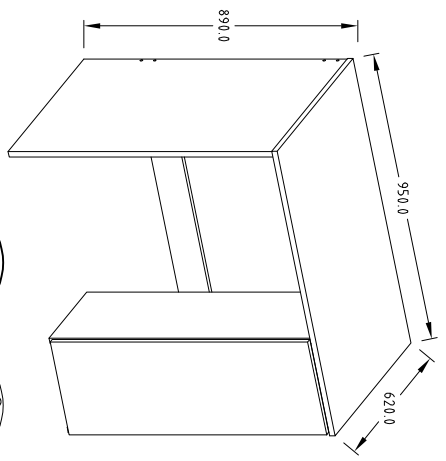
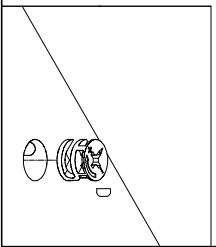
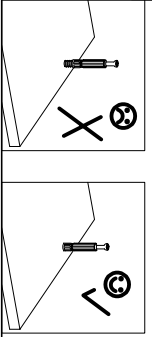
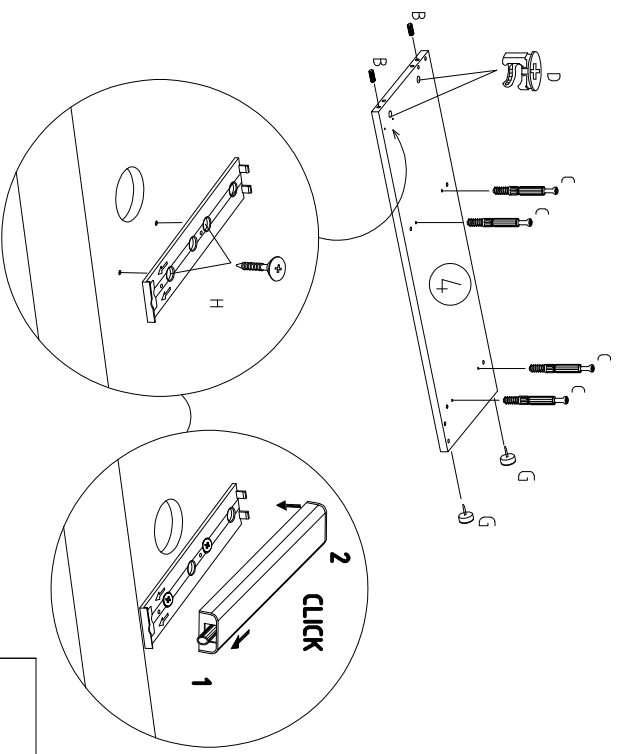
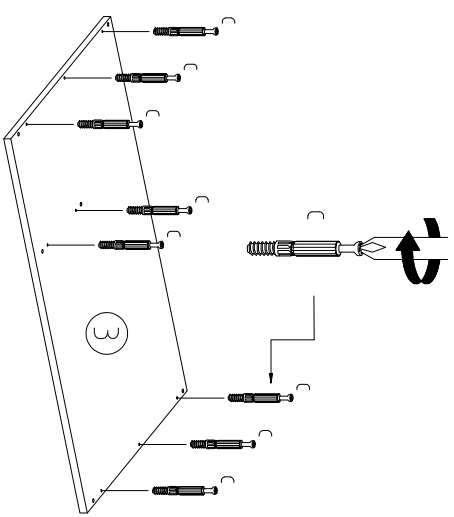
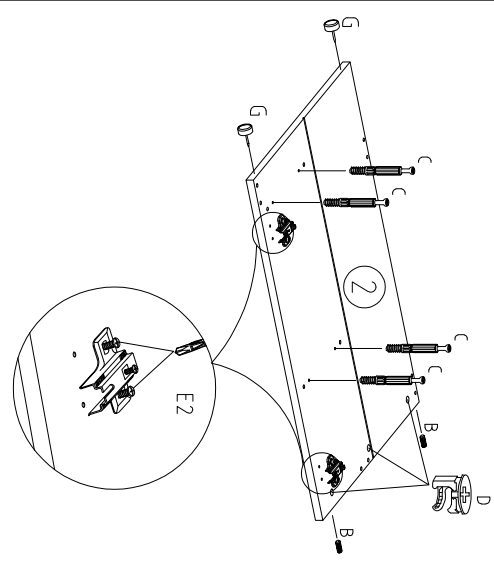




WASHER-CABINET

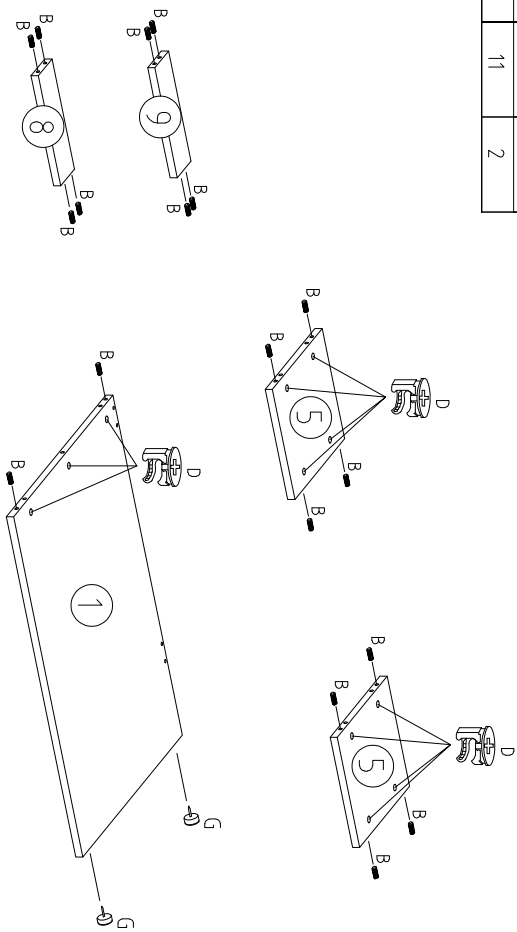


8.0x3.5									
B	C	D	D1	D2	E1	A			
22	16	16	16	8	2	1			
E2	G	H	L	W3	Z				
2	6	1	8	4	15				

8.0x3.5									
B	C	D	E2	G	H				
4	16	5	2	4	1				

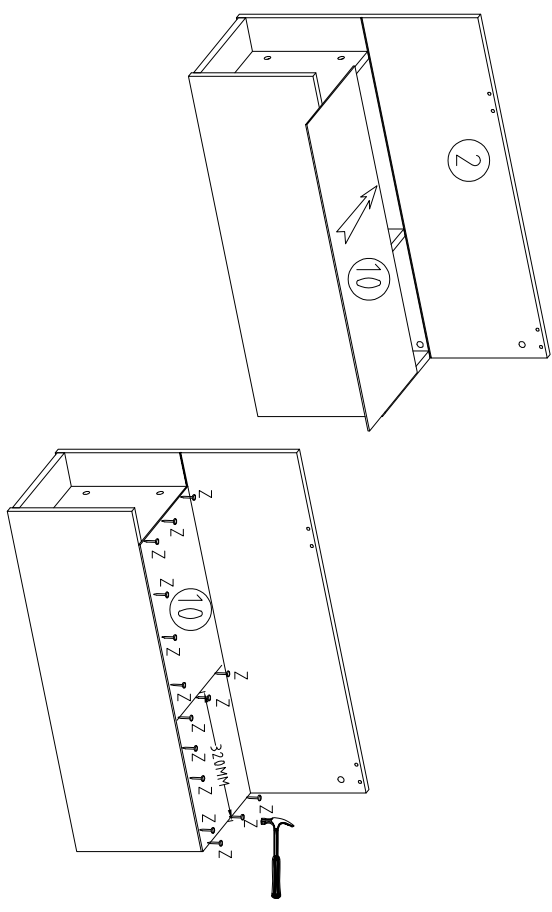


8.0x35			
B		D	
18	11	2	G






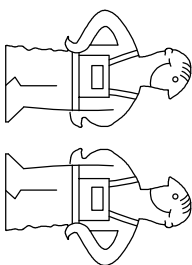
2

✓	Z
15	

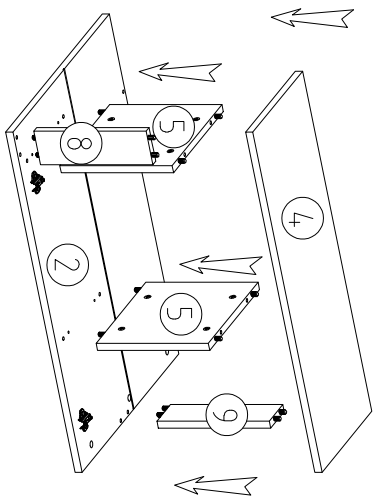


4

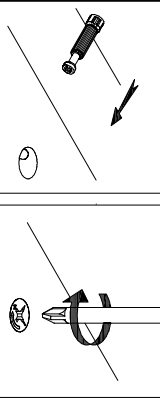
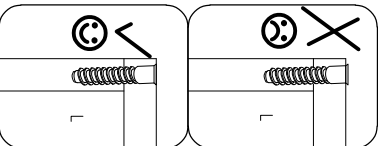
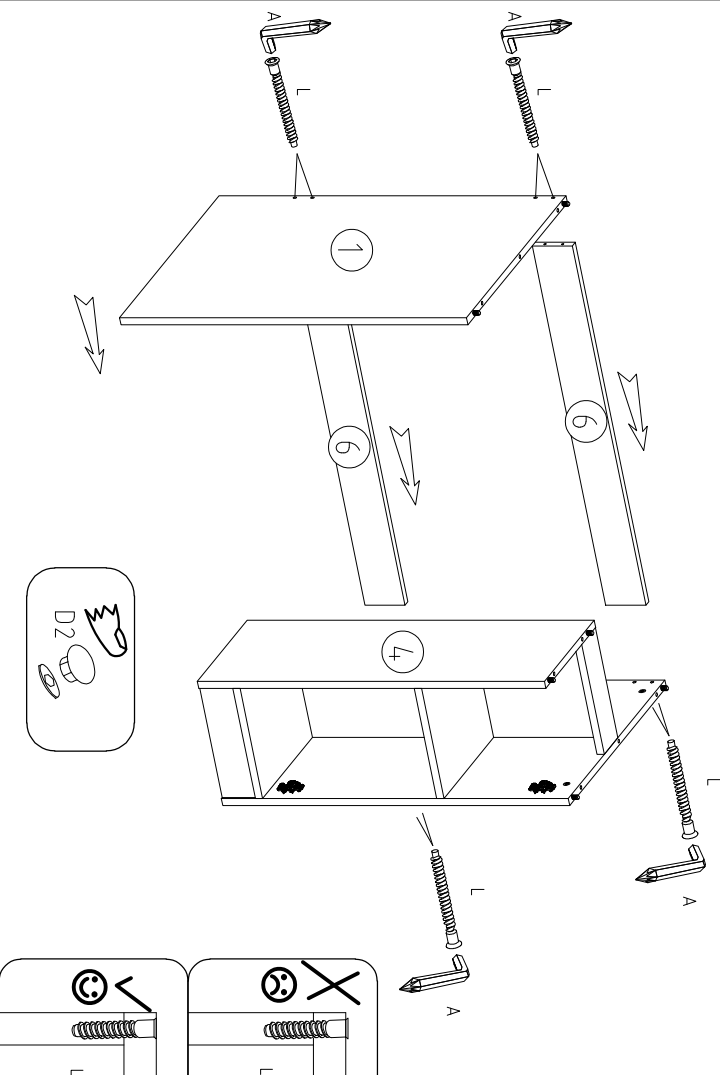
1		A		D2		L
---	---	---	---	----	---	---



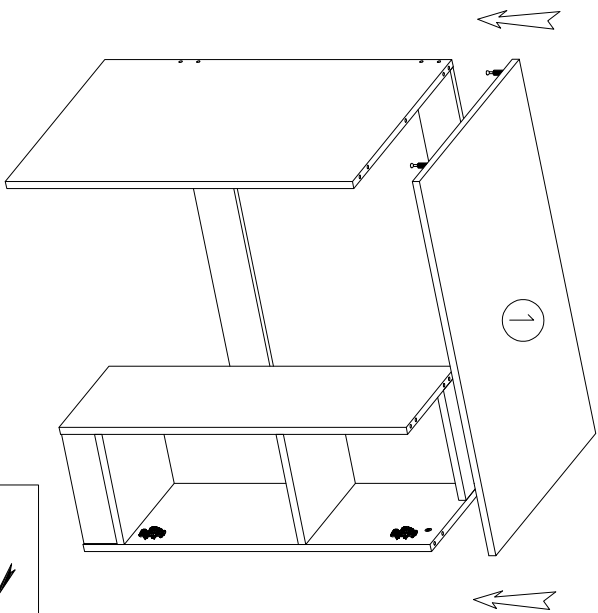
5



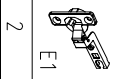
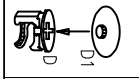
3



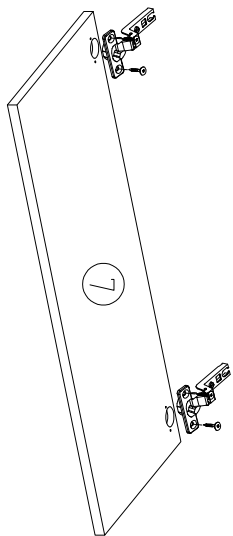
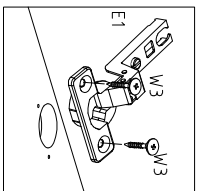
D1
16



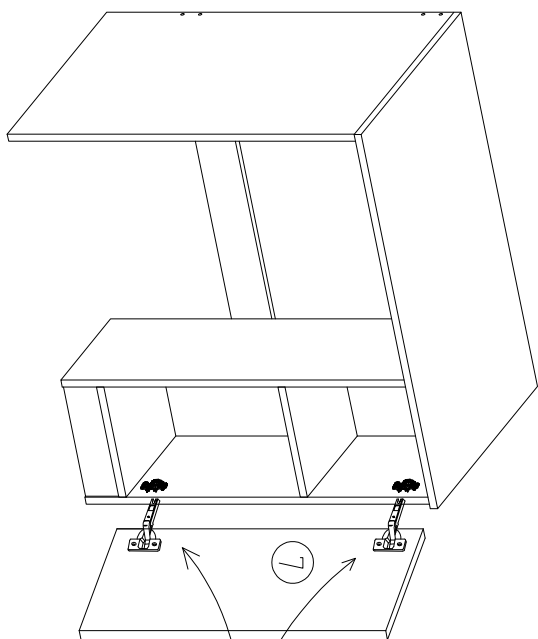
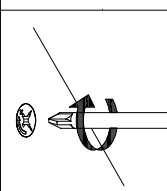
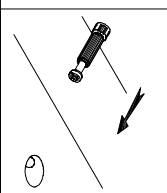
6



3 5x16
W3
4



7



8

