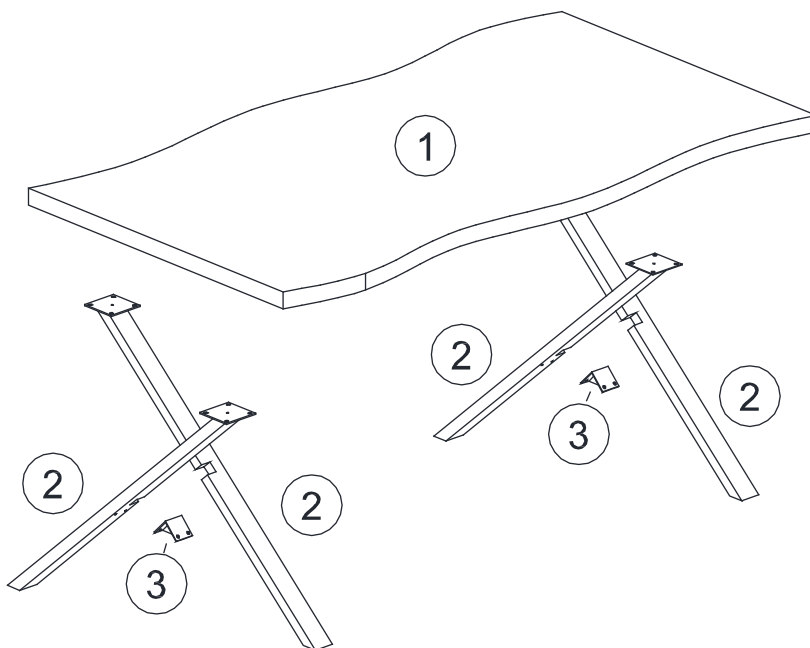
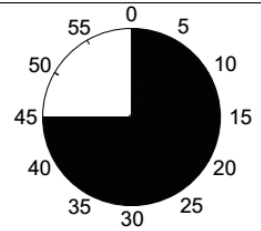
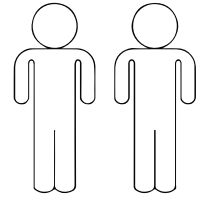
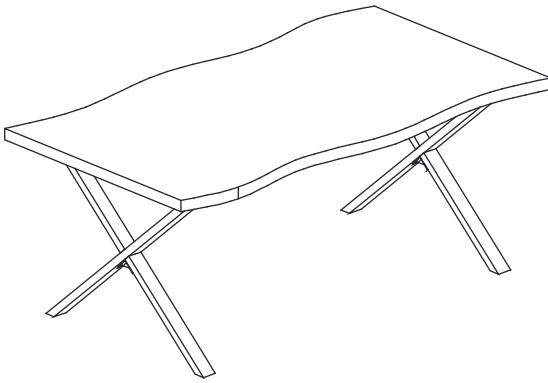



# Gerd CT



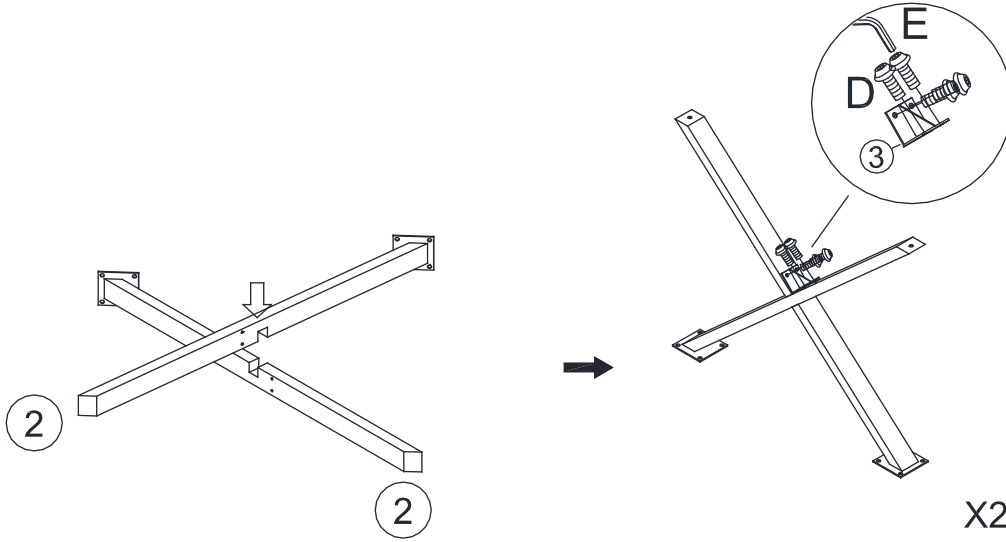
		
1	1x	1/2
2	4x	2/2
3	2x	2/2

	2/2
------------------------------------------------------------------------------------	-----

<b>A</b>	M8x25mm	<b>B</b>	φ30xM8	<b>C</b>	φ16xφ8x1mm	<b>D</b>	M6x12mm	<b>E</b>	M4	<b>F</b>	M5
	16x		4x		16x		8x		1x		1x

I.

1.

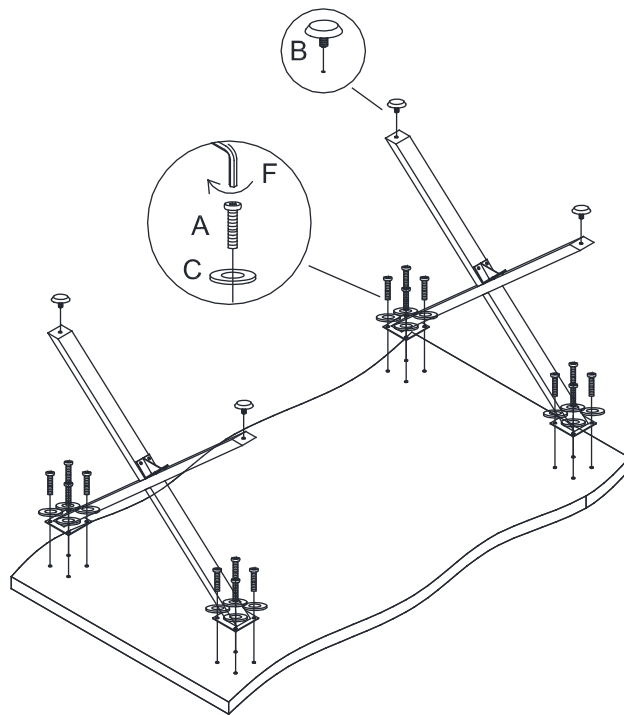


D M6X12mm  
8x

E M4  
1x



2.



A M8x25mm  
16x


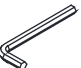

B φ30xM8  
4x

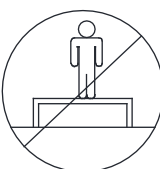
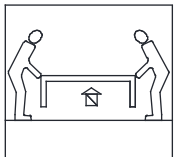
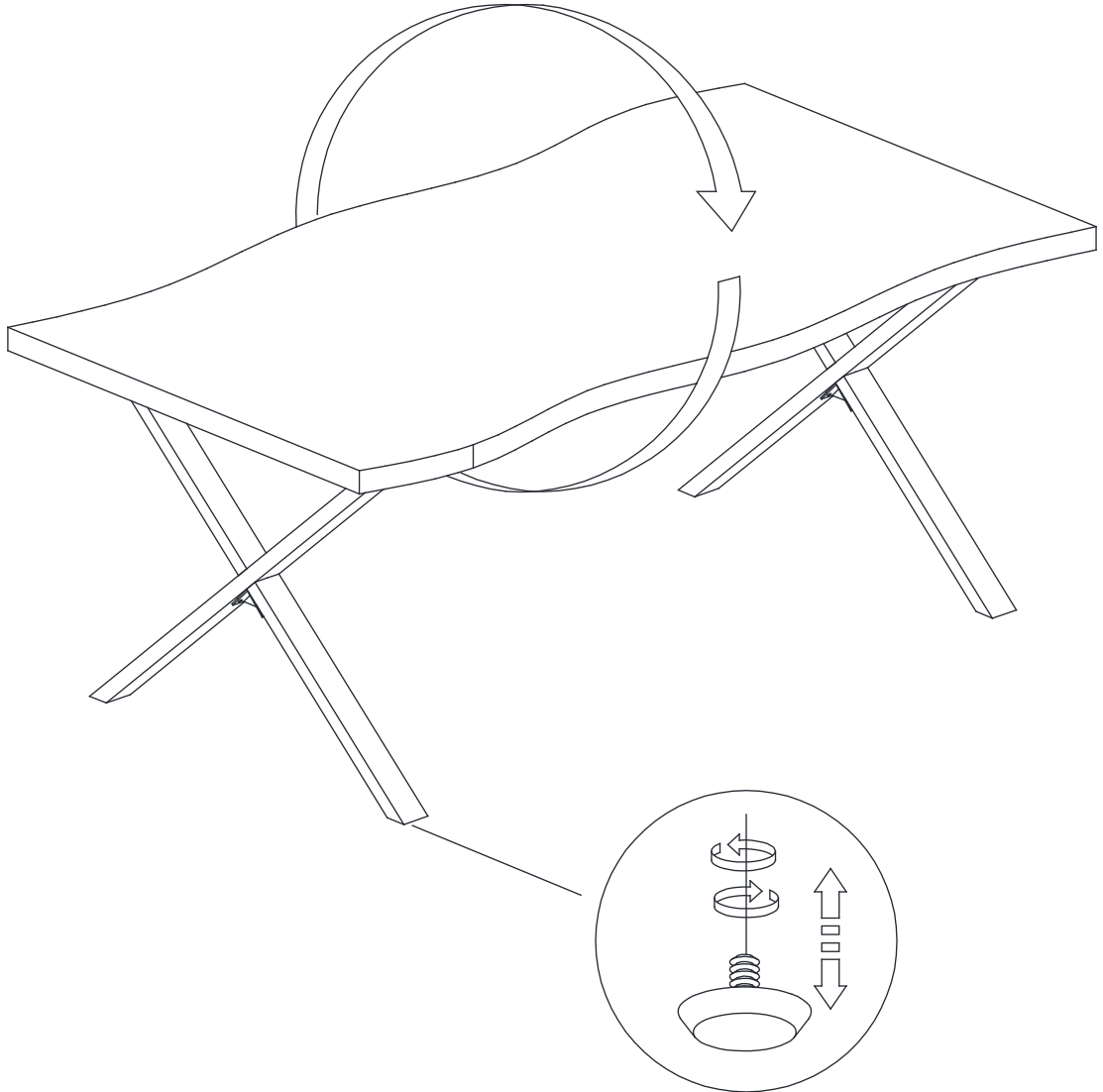
C φ16xφ8x1mm  
16x

F M5  
1x

II.

3.

<b>E</b>		M4 1x
<b>F</b>		M5 1x
		



**LE TRI  
+ FACILE**



+



*Séparez les éléments avant de trier*