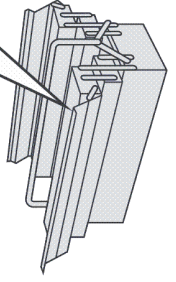
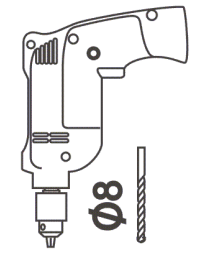
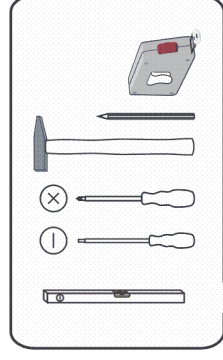
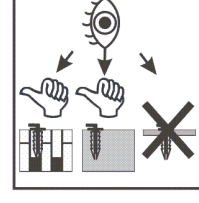
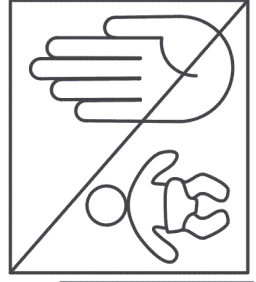
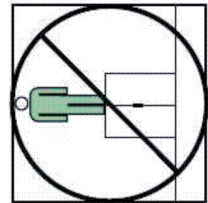
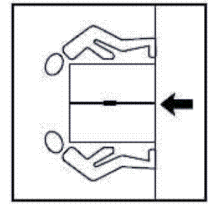
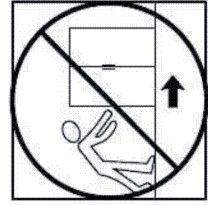
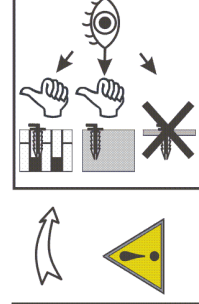
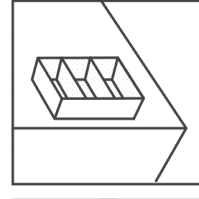
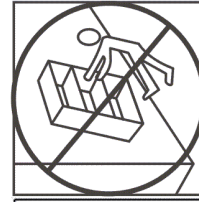
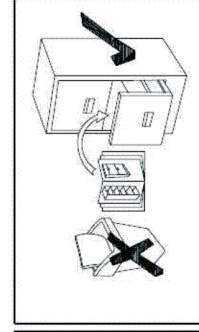
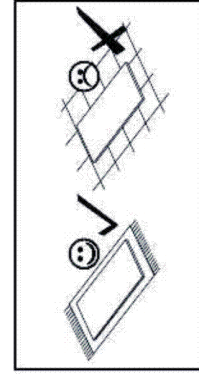
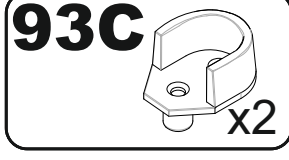
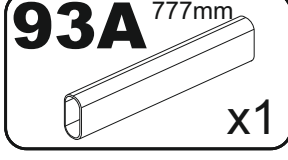
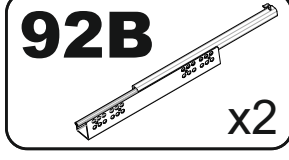
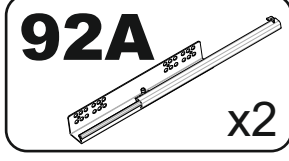
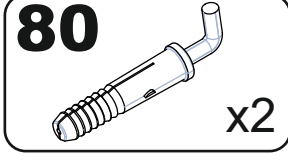
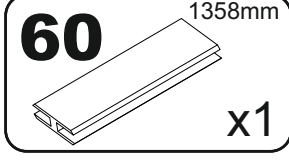
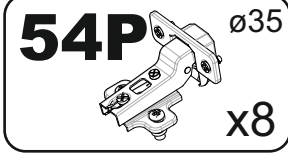
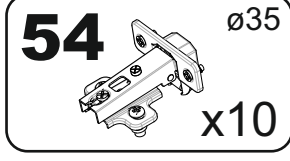
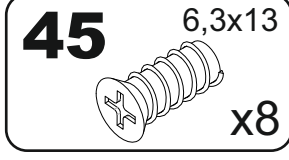
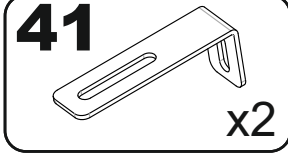
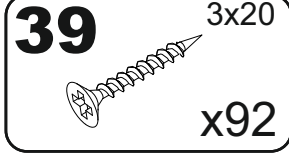
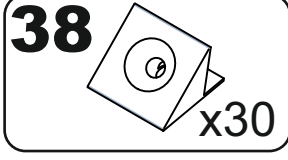
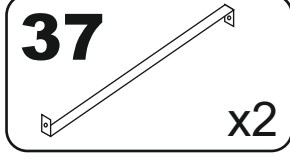
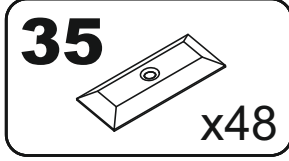
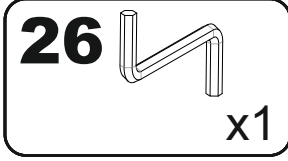
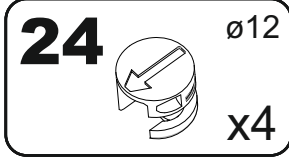
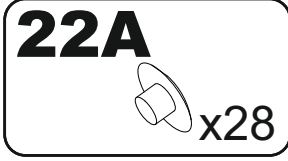
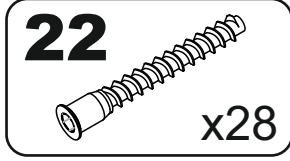
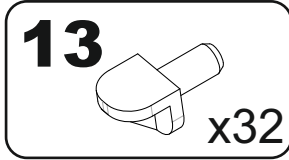
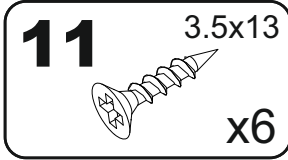
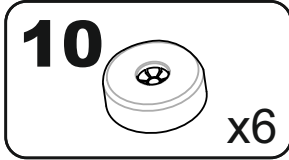
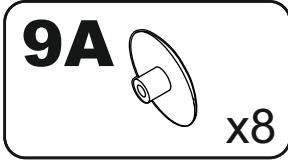
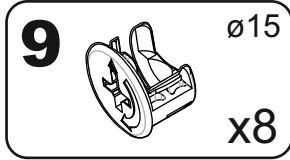
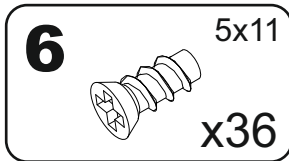
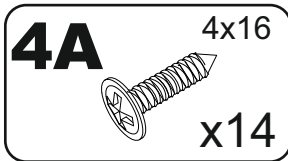
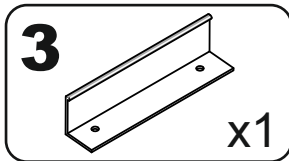
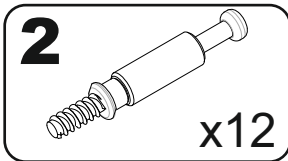
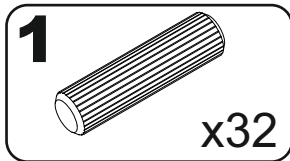
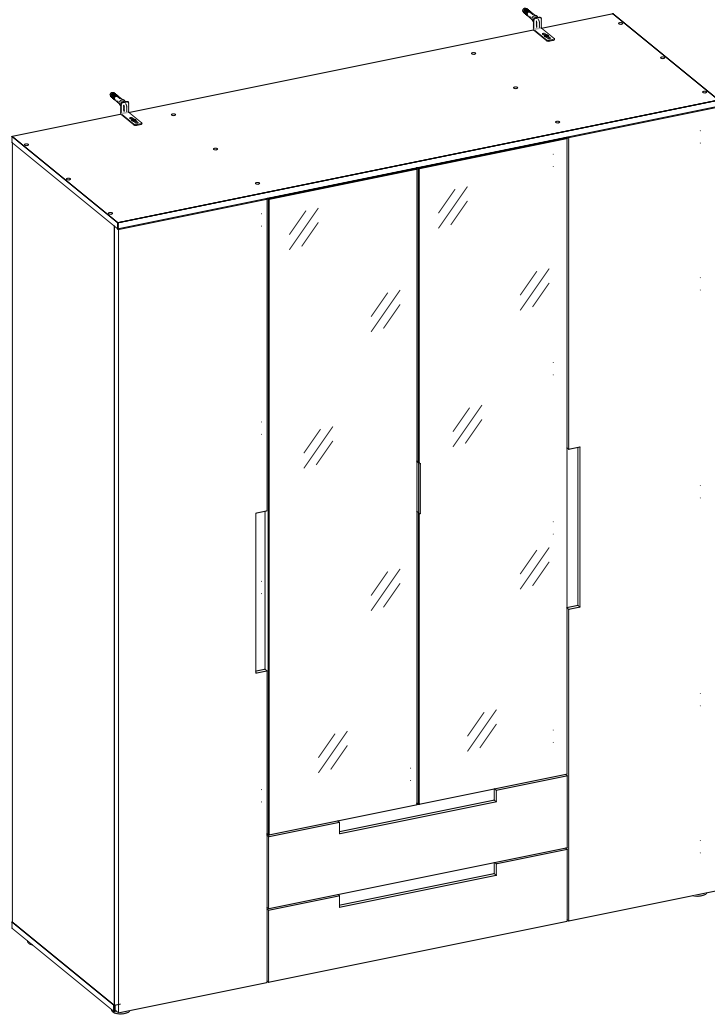
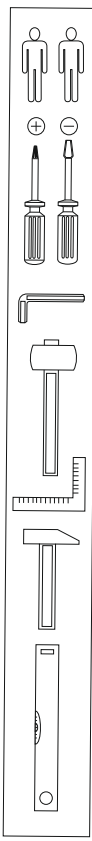
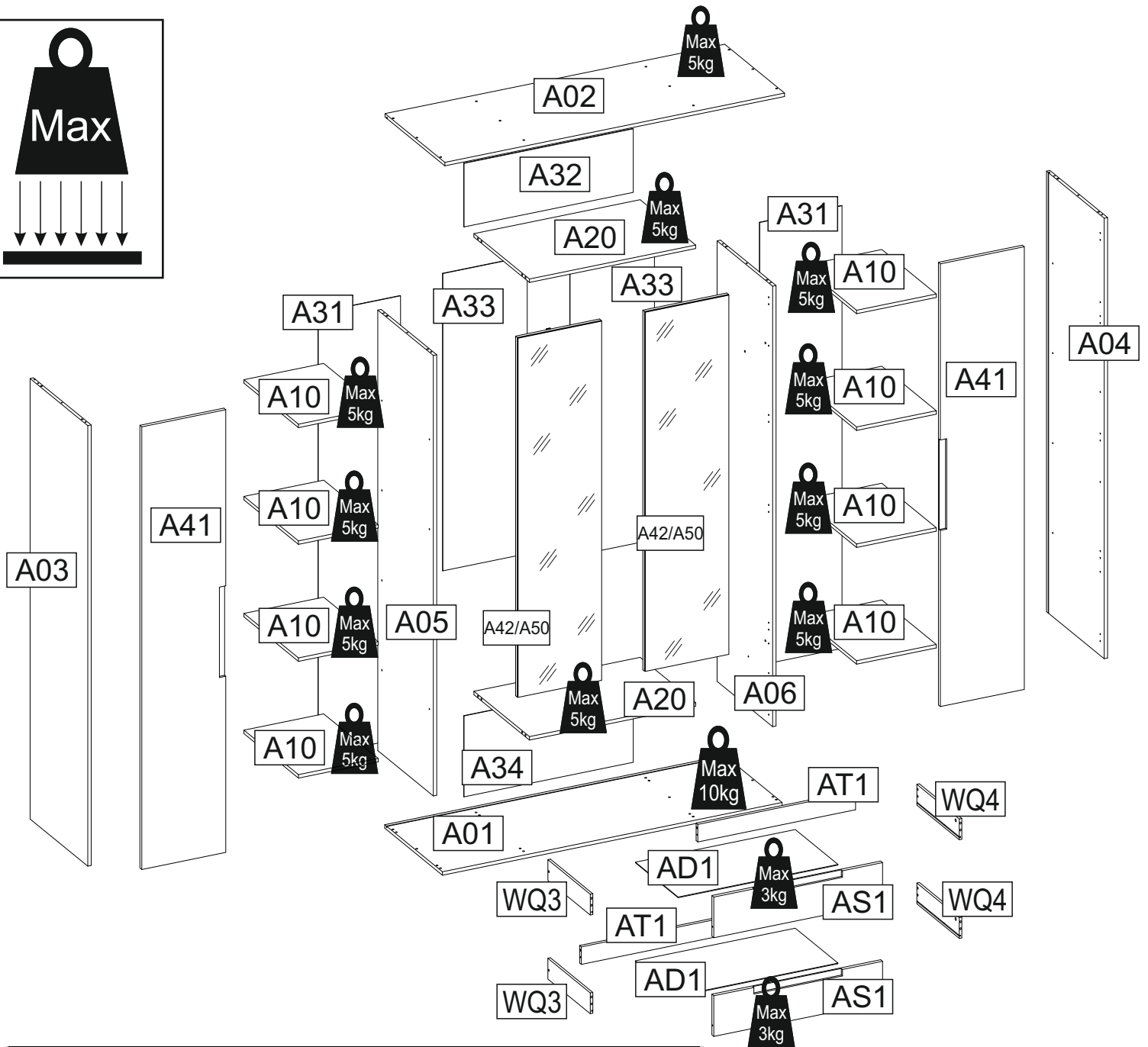
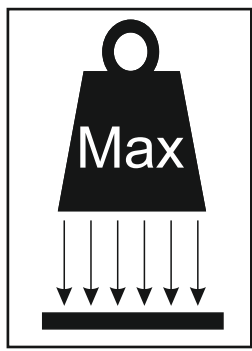


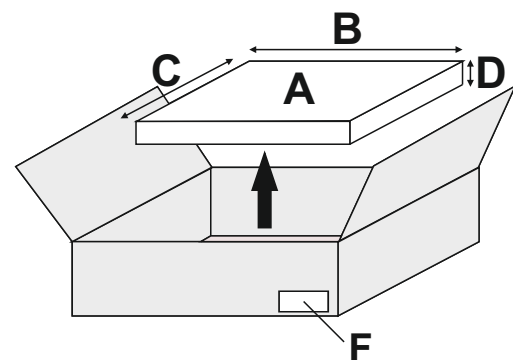
180 min



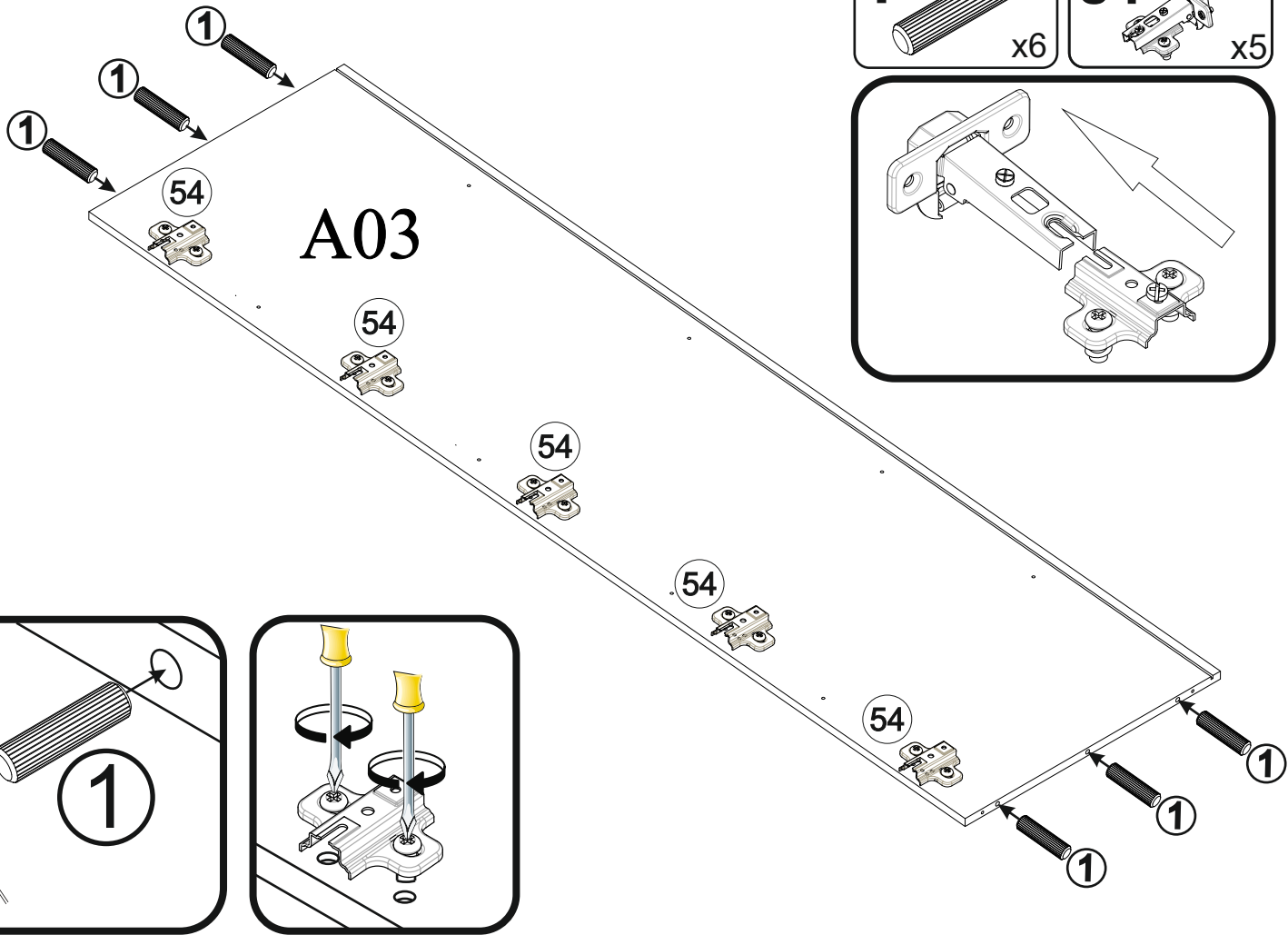




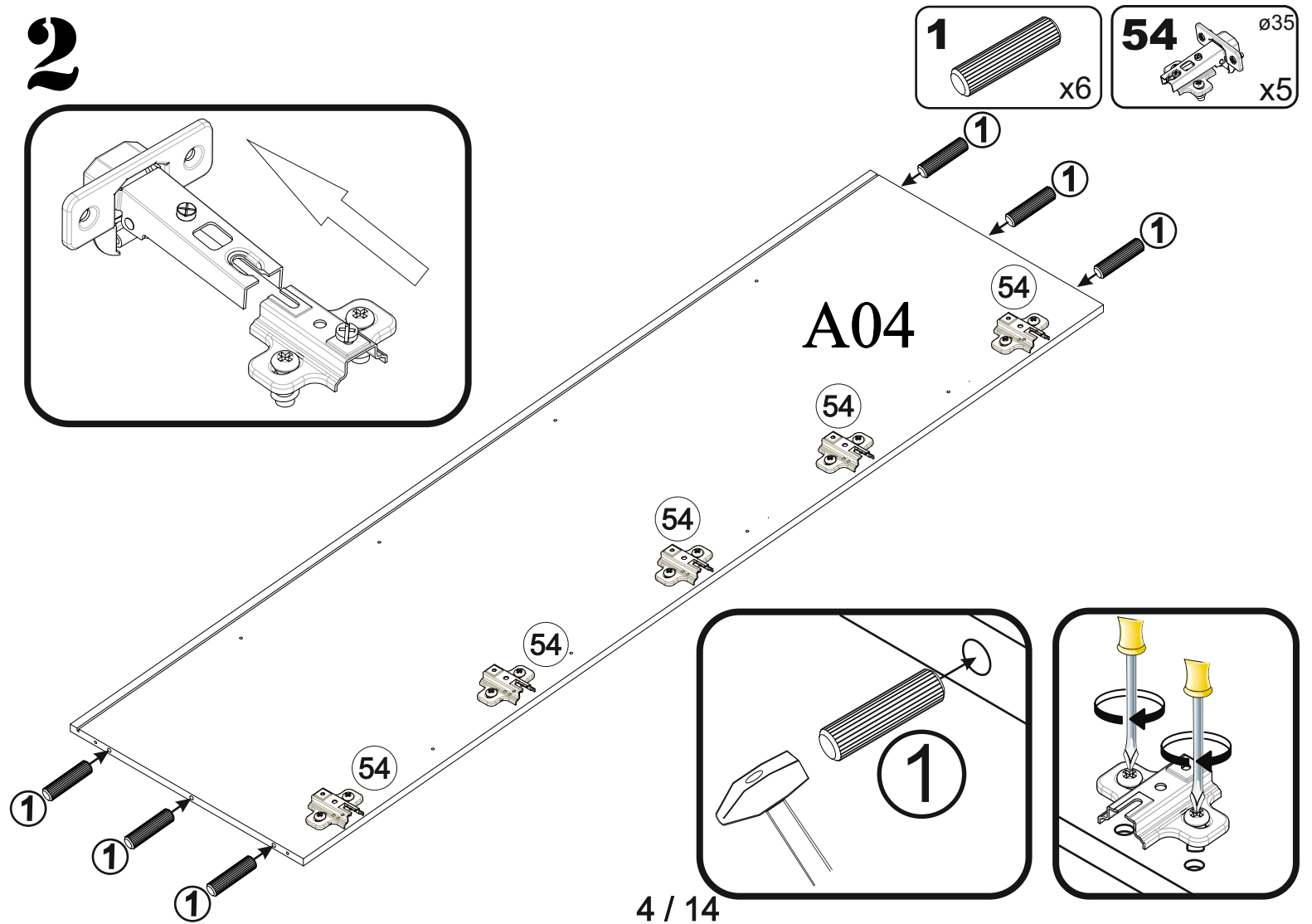
A	B (mm)	C (mm)	D (mm)	E	F
A01	1602	544	16	1	2 6
A02	1602	564	16	1	2 6
A03	2036	544	16	1	3 6
A04	2036	544	16	1	3 6
A05	2036	524	16	1	4 6
A06	2036	524	16	1	4 6
A10	376	514	16	8	1 6
A20	784	524	16	2	2 6
A31	2046	388	3	2	6 6
A32	798	294	3	1	1 6
A33	1374	398	3	2	4 6
A34	798	374	3	1	1 6
A41	2046	396	18	2	6 6
A42	1662	396	16	2	5 6
A50	1660	394	3	2	5 6
AD1	754	403	3	2	3 6
AS1	796	188	18	2	1 6
AT1	744	81	16	2	1 6
WQ3	400	96	12	2	1 6
WQ4	400	96	12	2	1 6



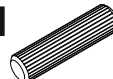






# 1

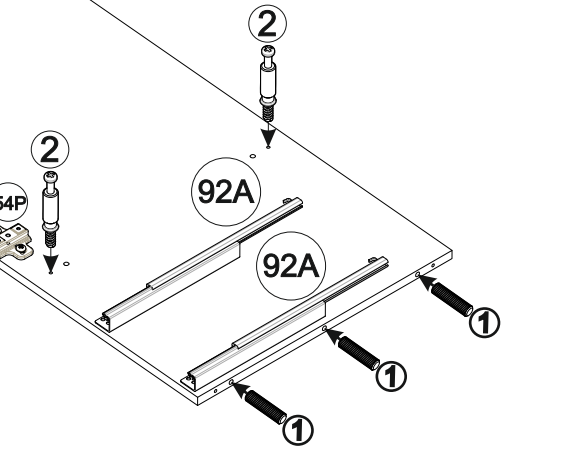
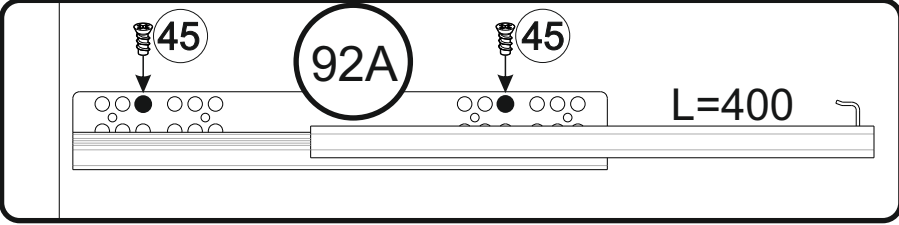
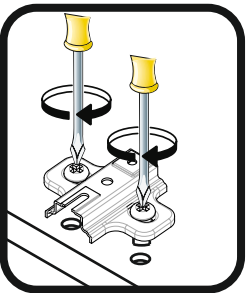
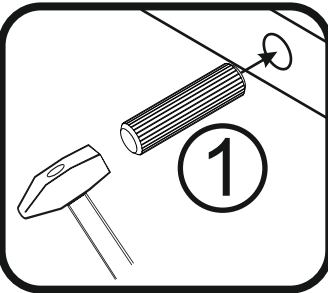
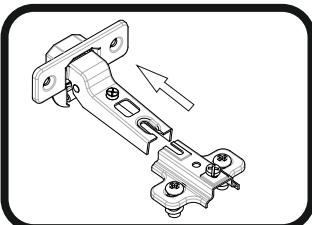
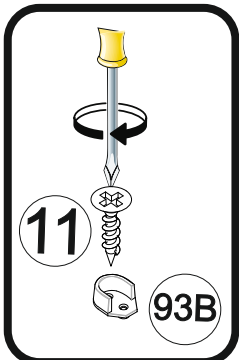
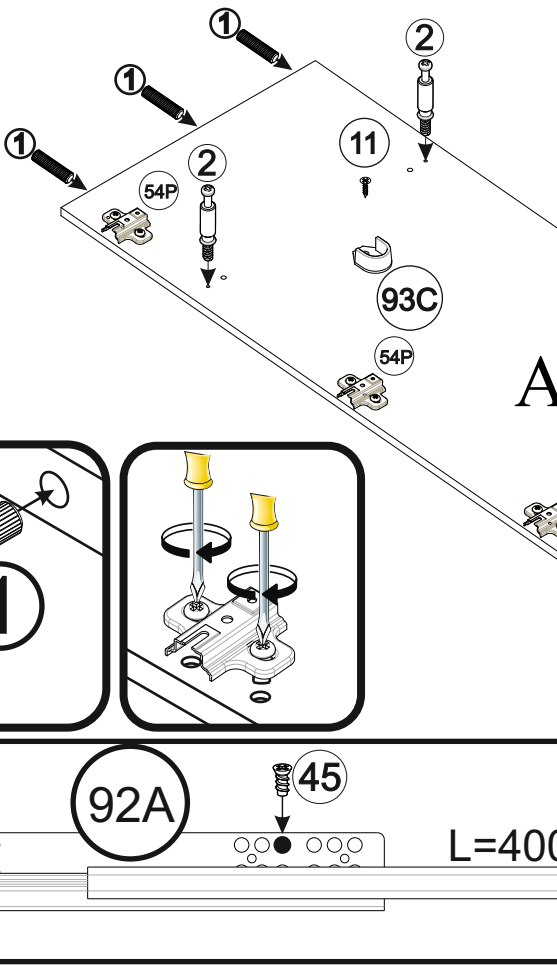
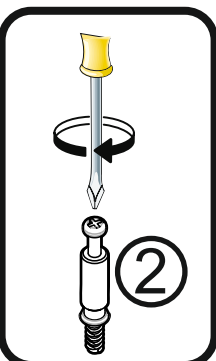


# 2

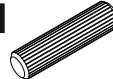
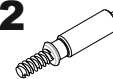







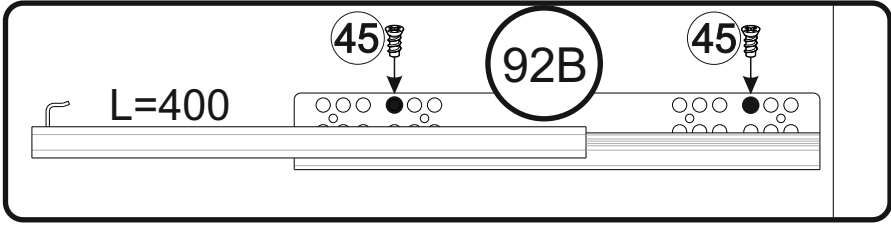
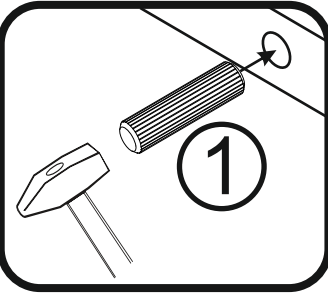
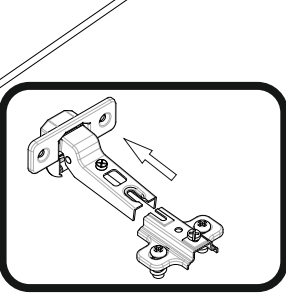
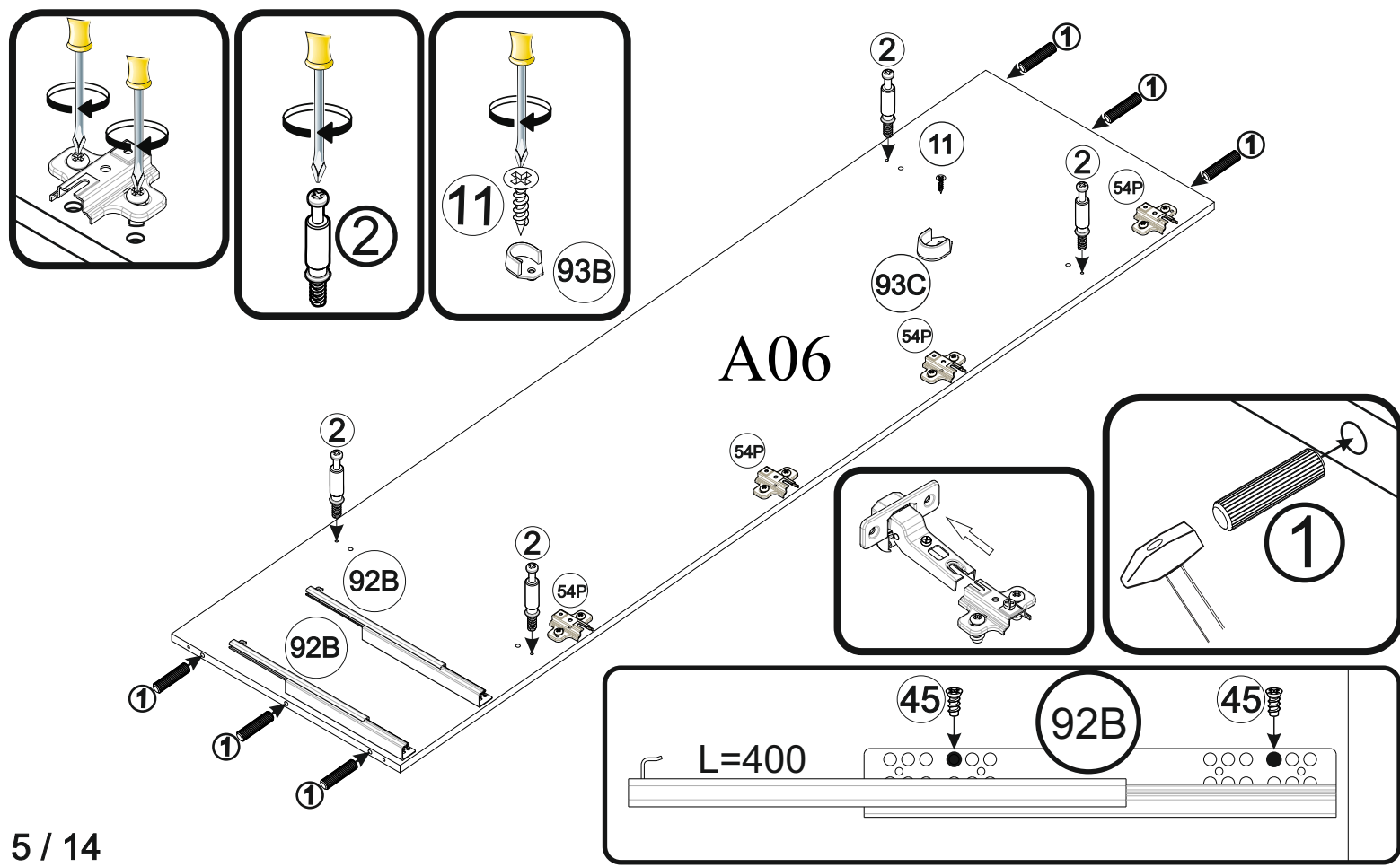
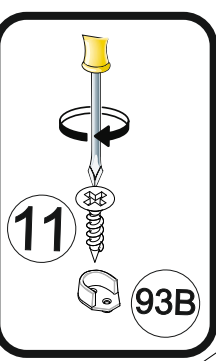
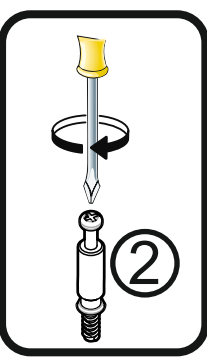
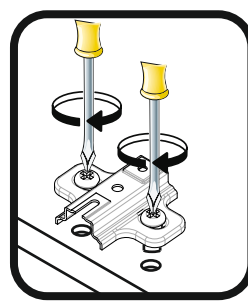
# 3

- 1**  x6
- 2**  x4
- 11**  3.5x13 x1
- 45**  6,3x13 x4
- 54P**  ø35 x4
- 92A**  x2
- 93C**  x1

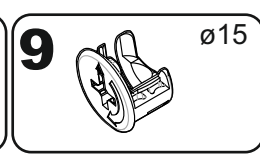
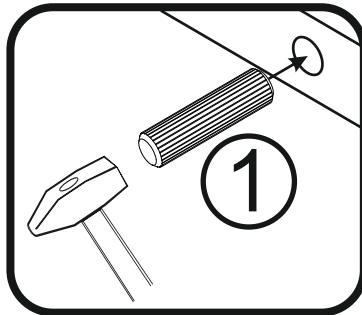
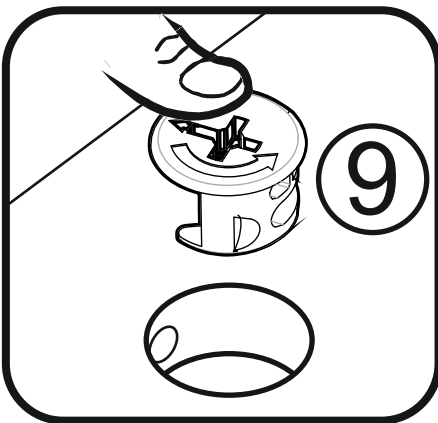
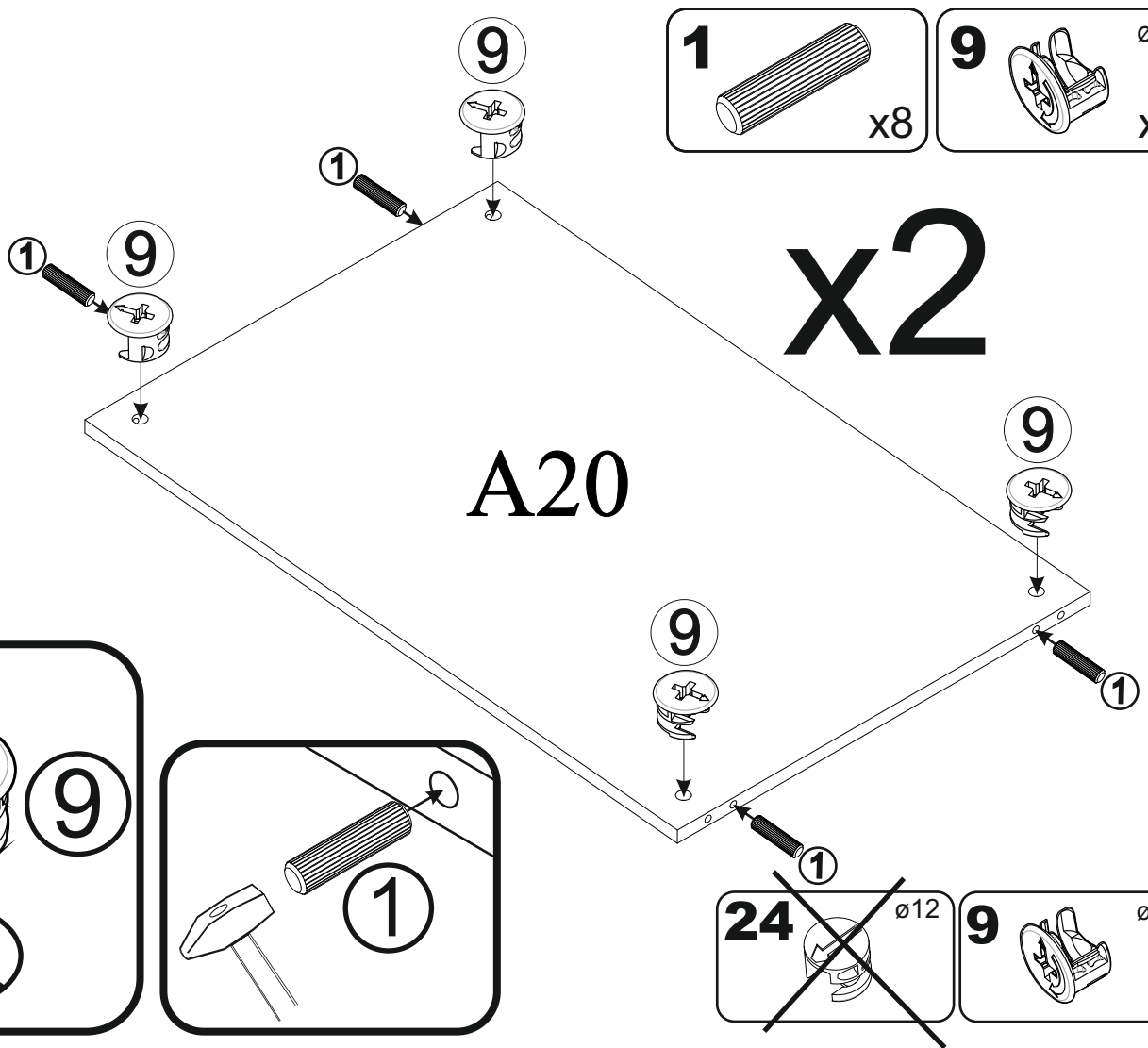
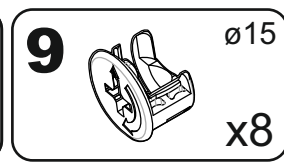
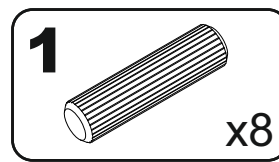


# 4

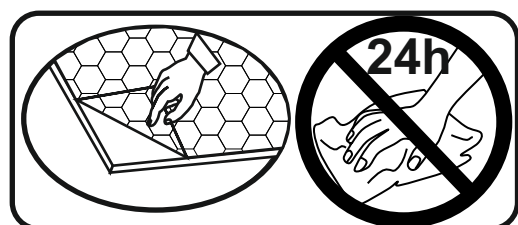
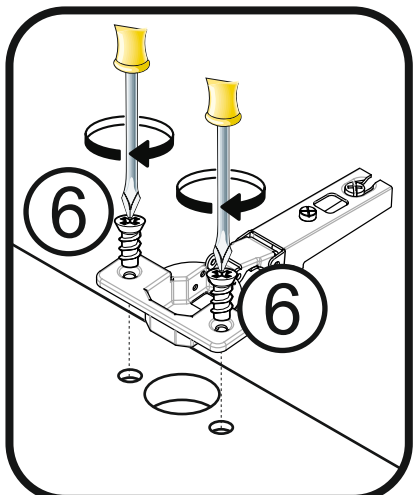
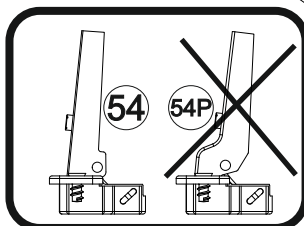
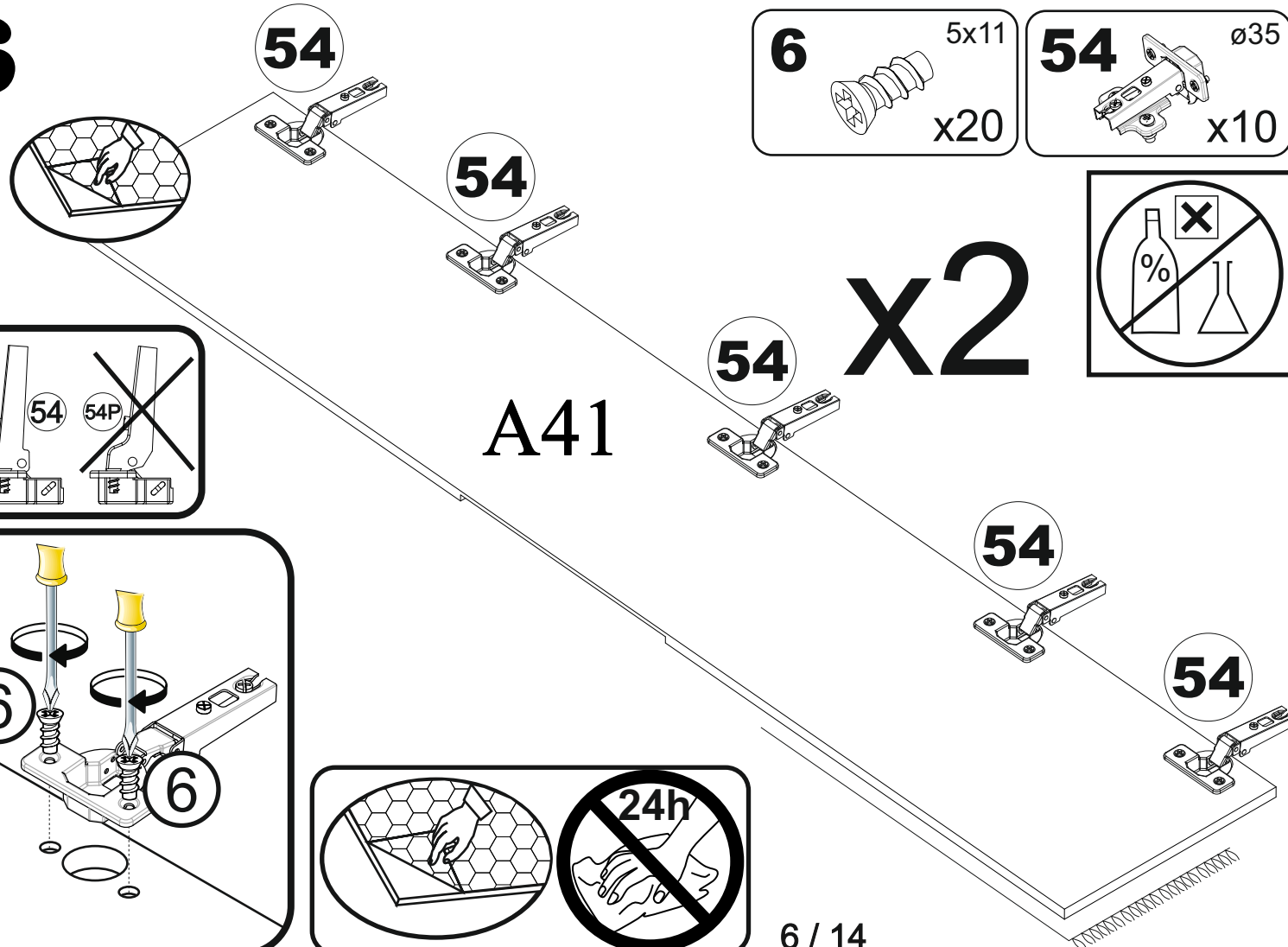
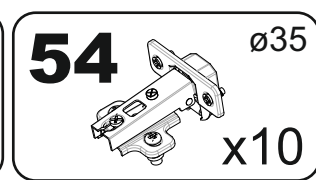
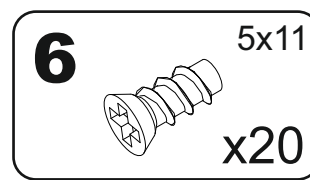
- 1**  x6
- 2**  x4
- 11**  3.5x13 x1
- 45**  6,3x13 x4
- 54P**  ø35 x4
- 92B**  x2
- 93C**  x1



# 5



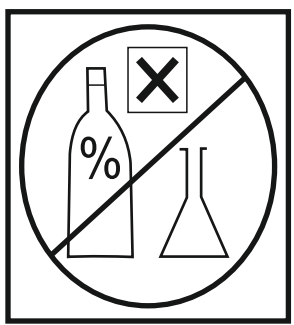
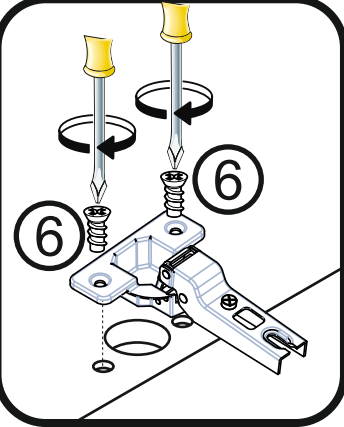
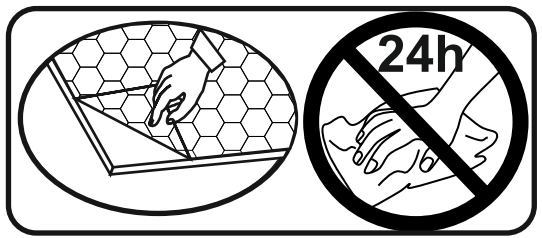
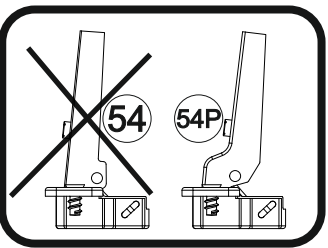
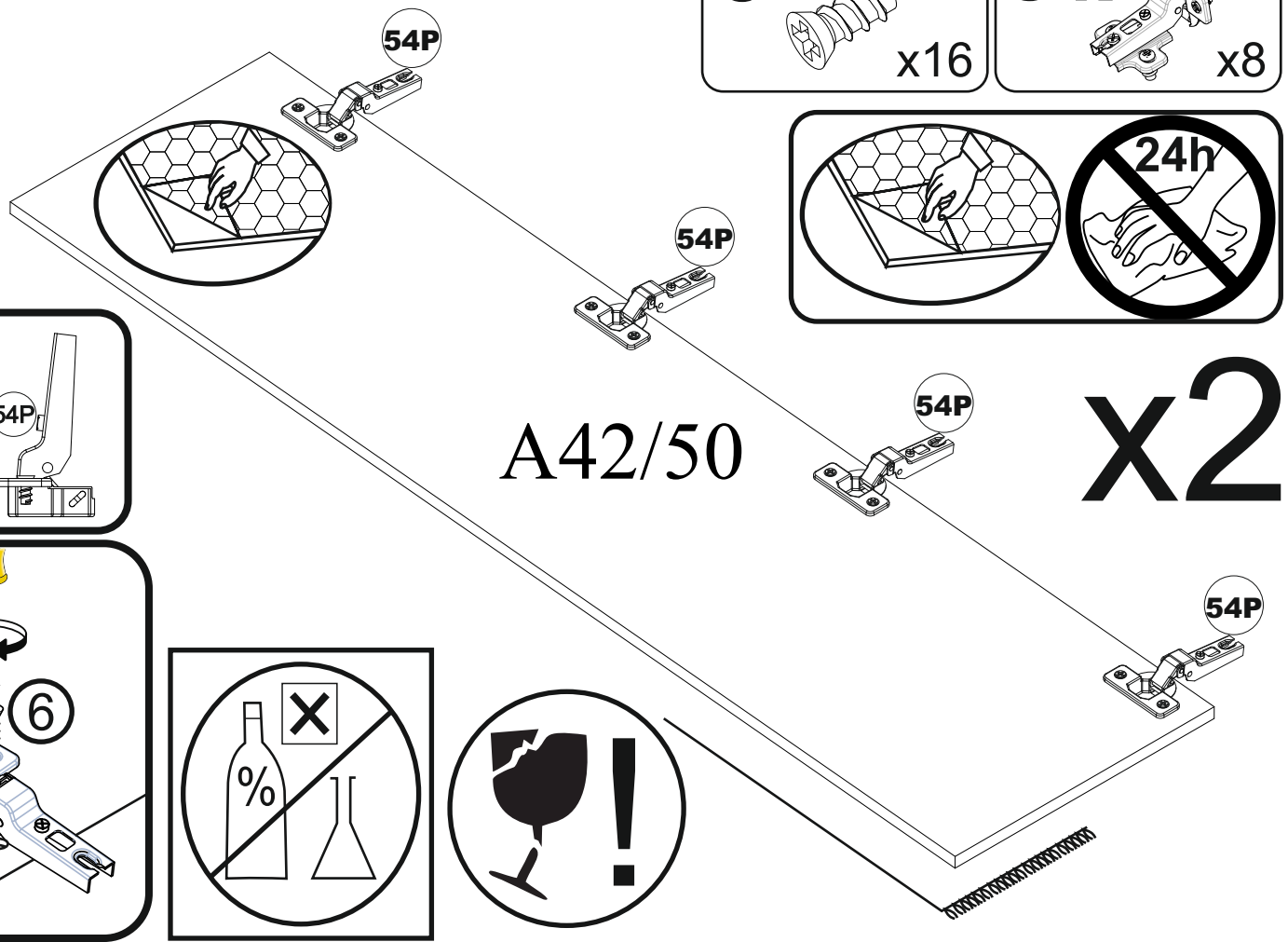
# 6



7

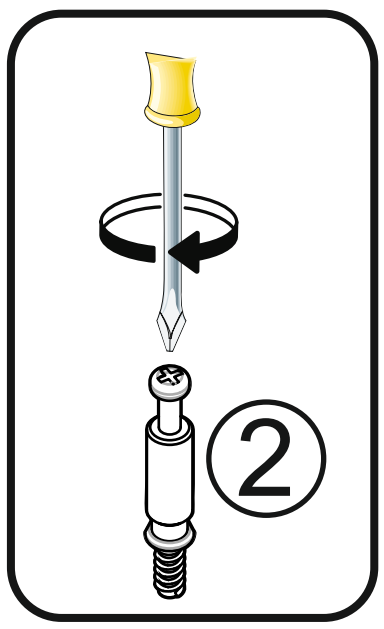
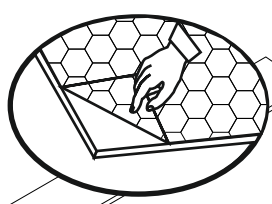
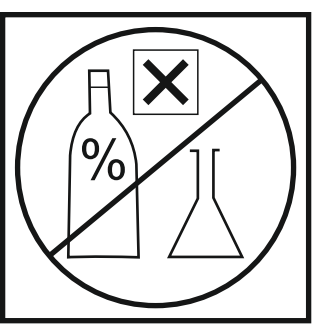
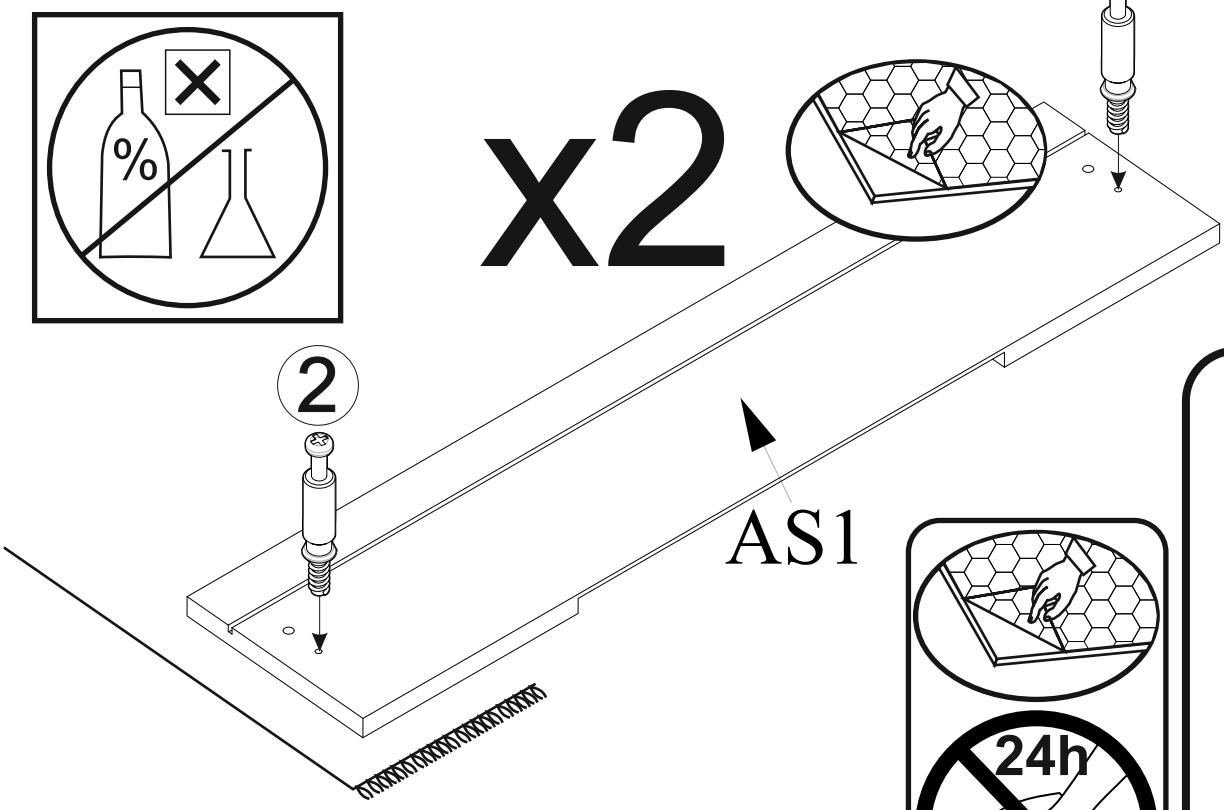
**6** 5x11  
x16

**54P** ø35  
x8

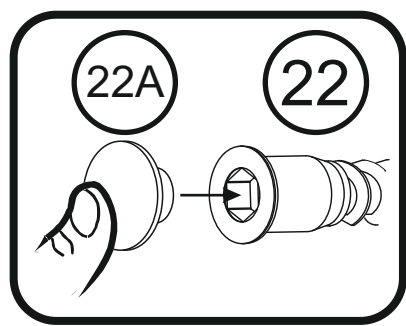
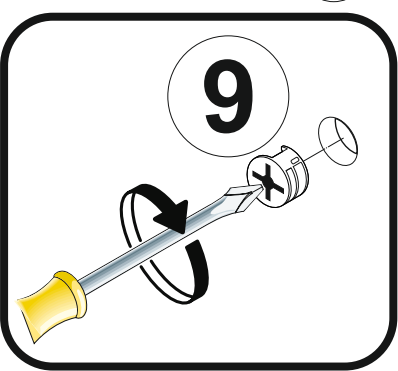
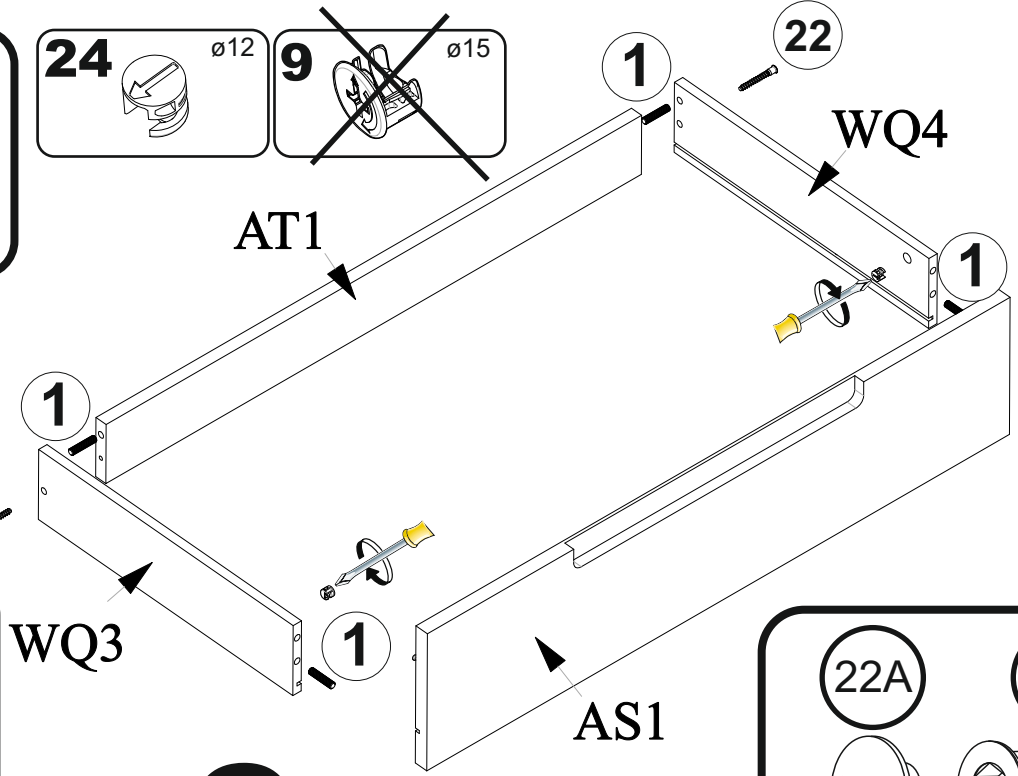
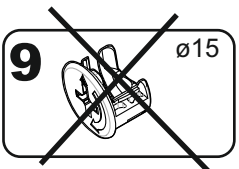
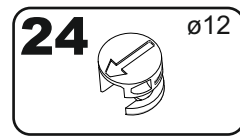
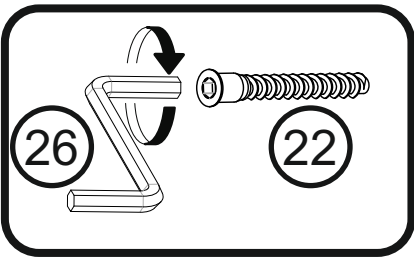
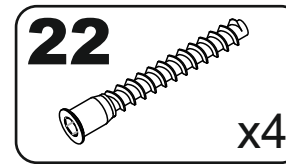
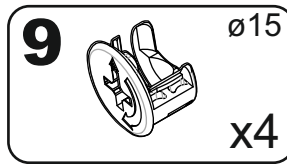
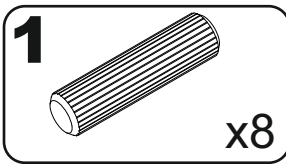


8

**2** x4

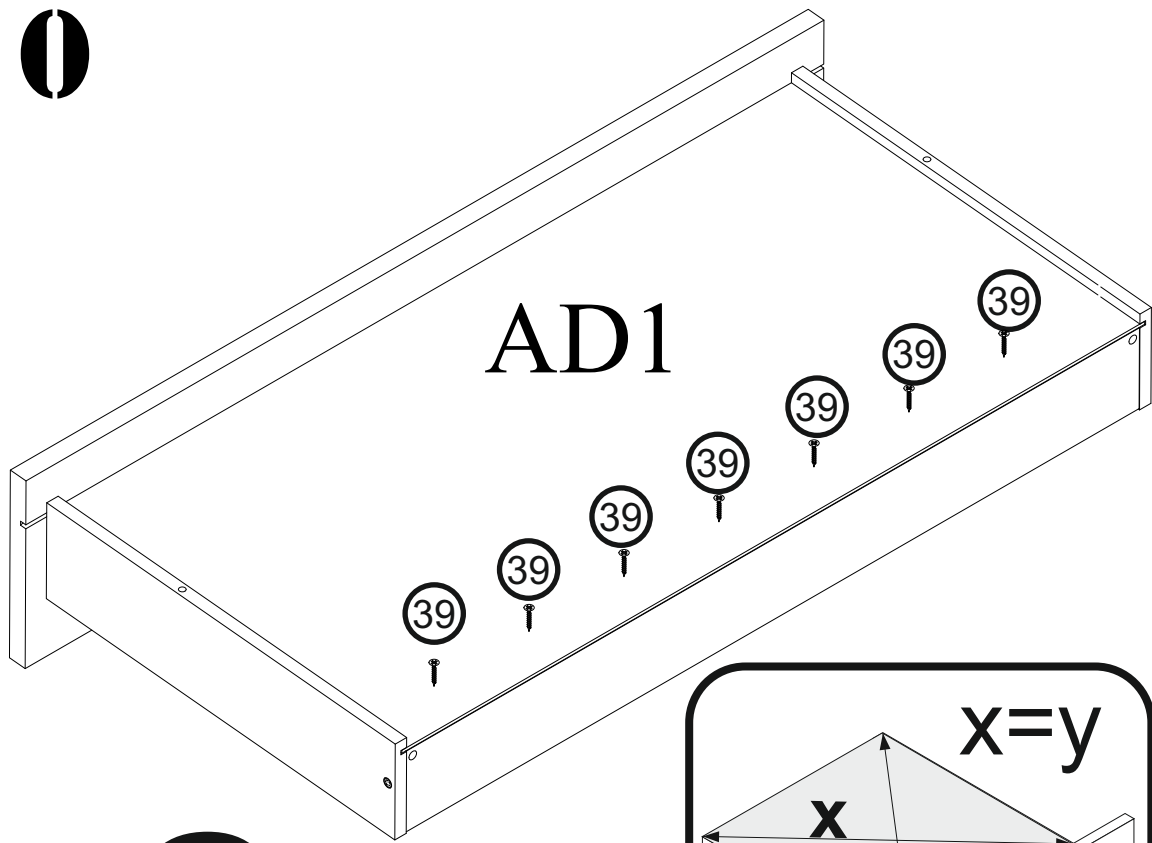
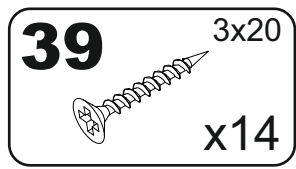


# 9

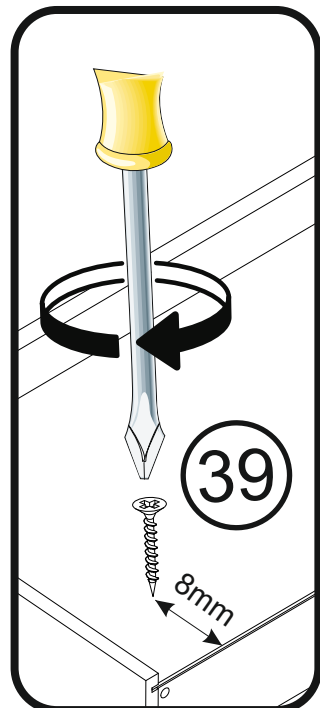
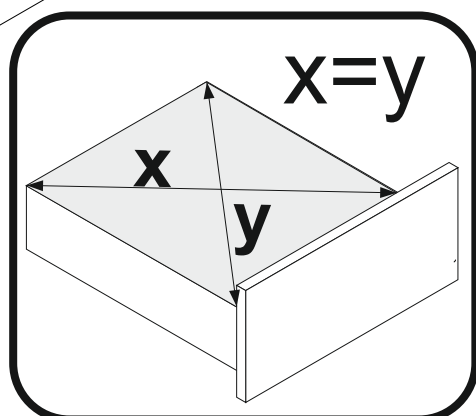


# x2

# 10

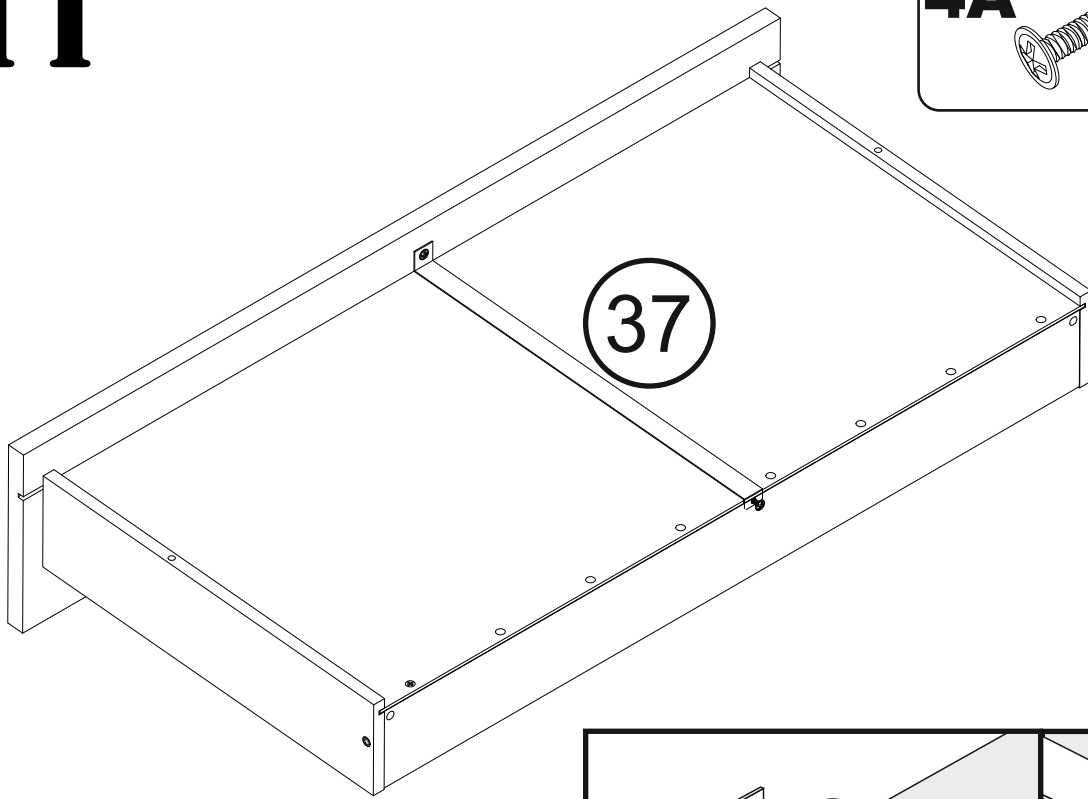
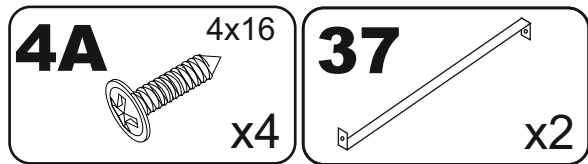


# x2

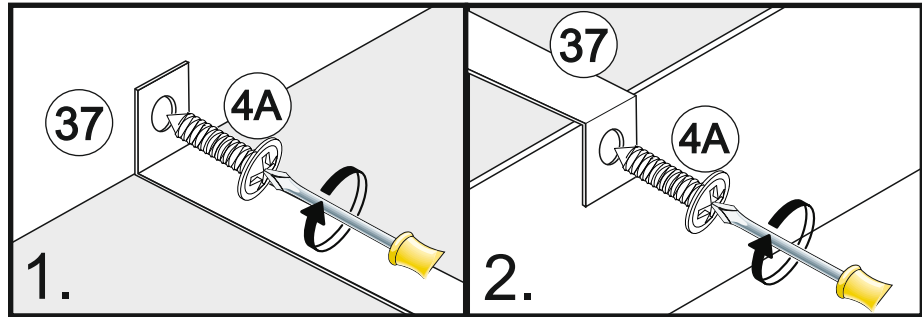




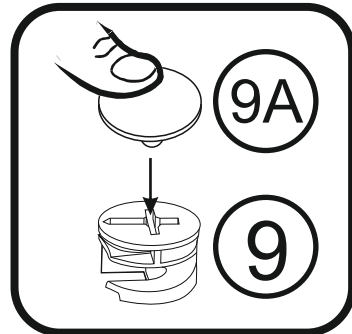
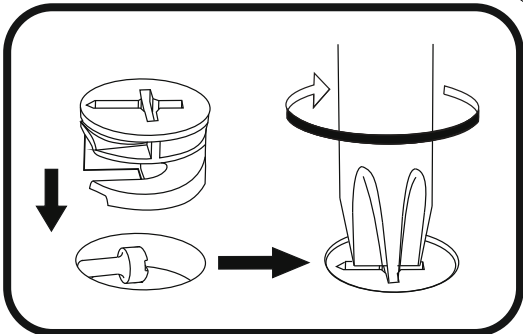
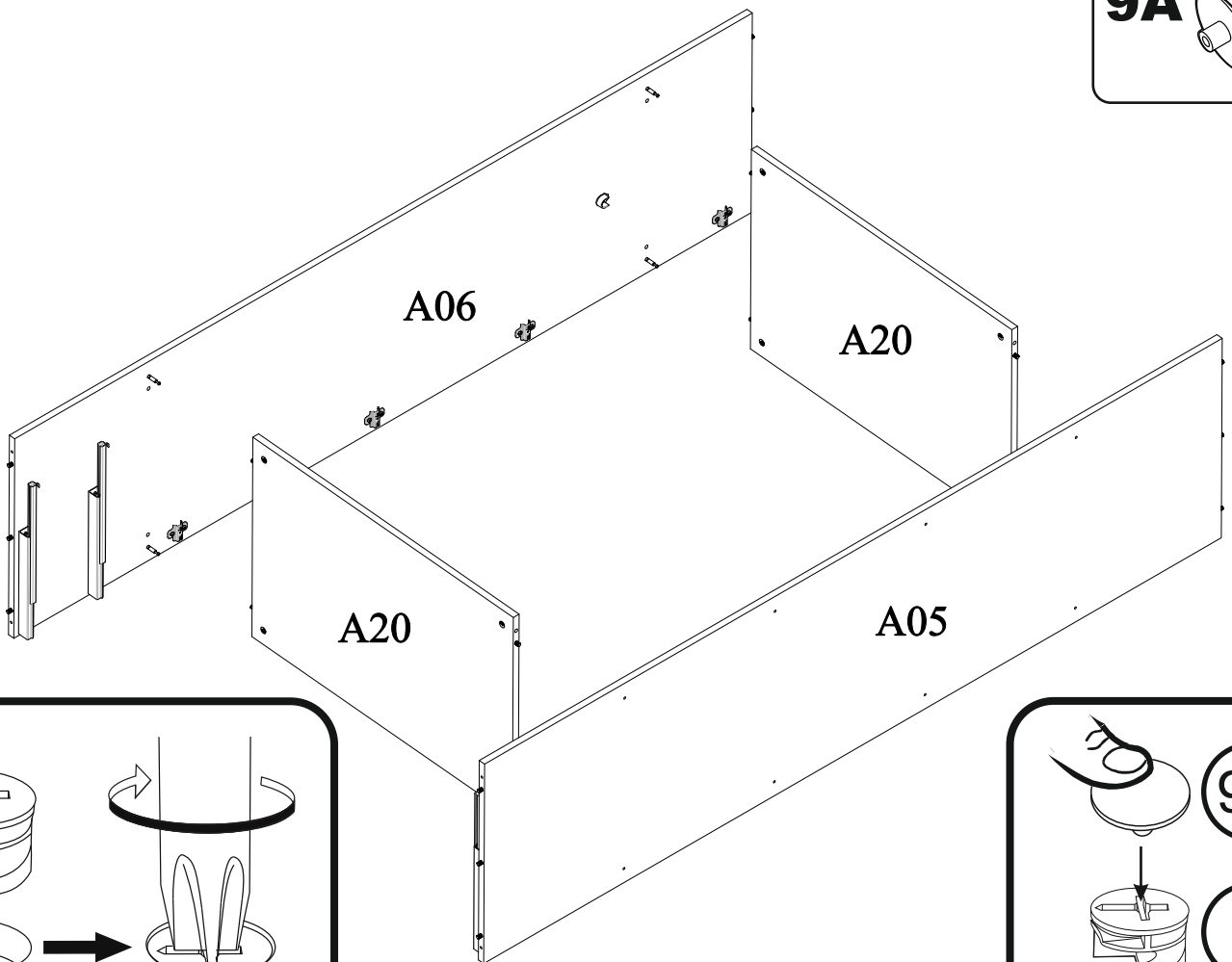
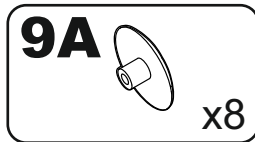
# 11



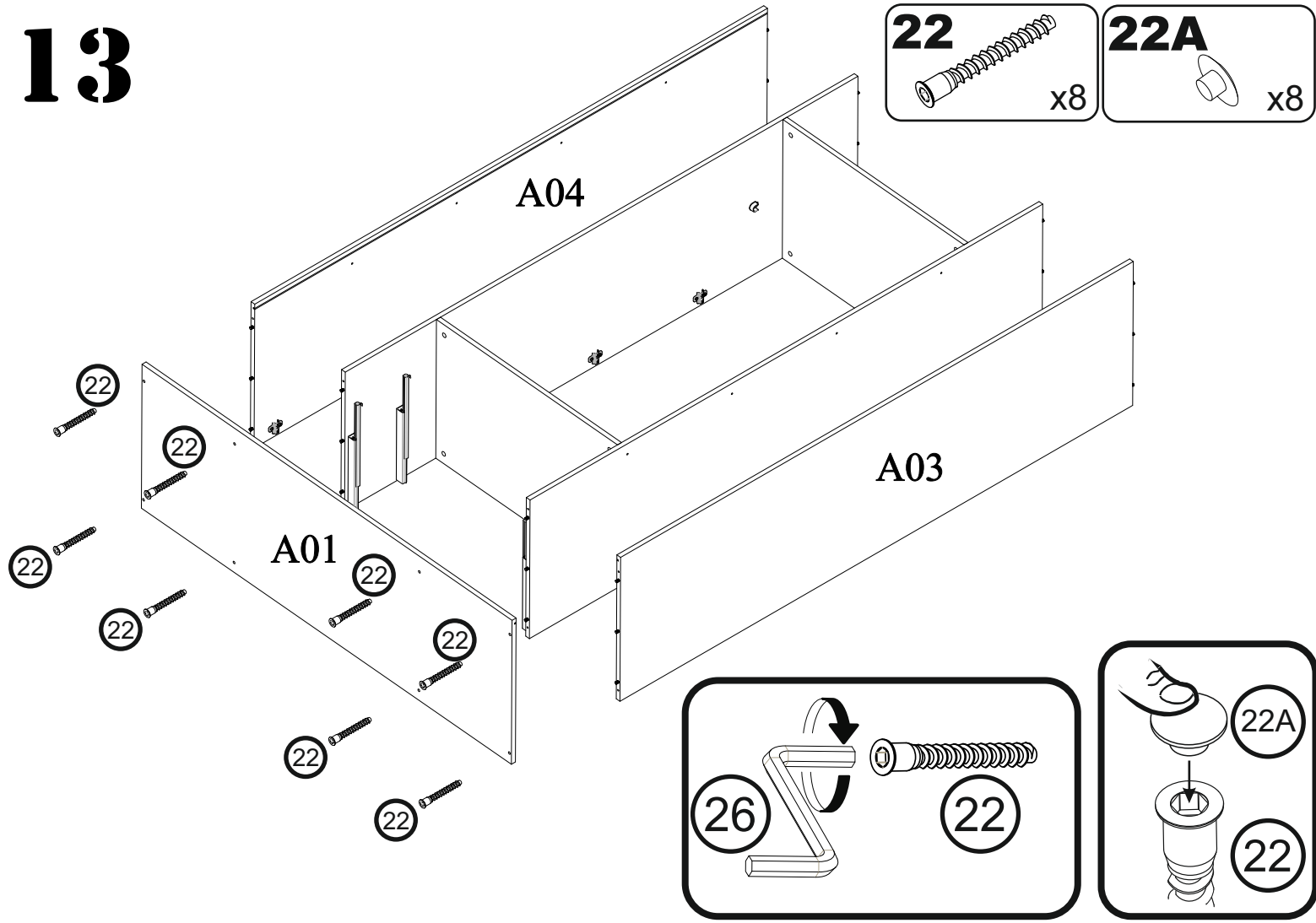
# x2



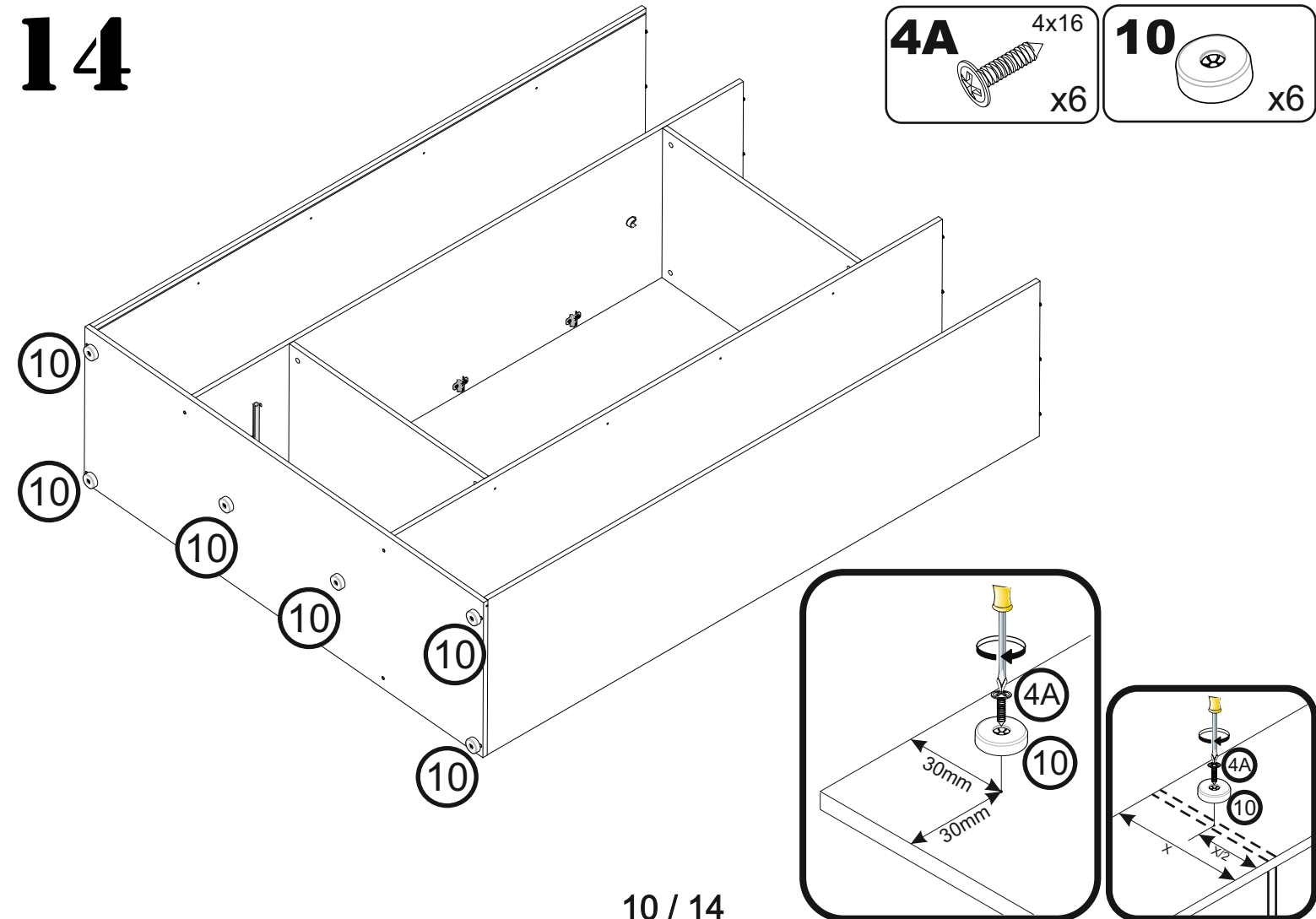
# 12



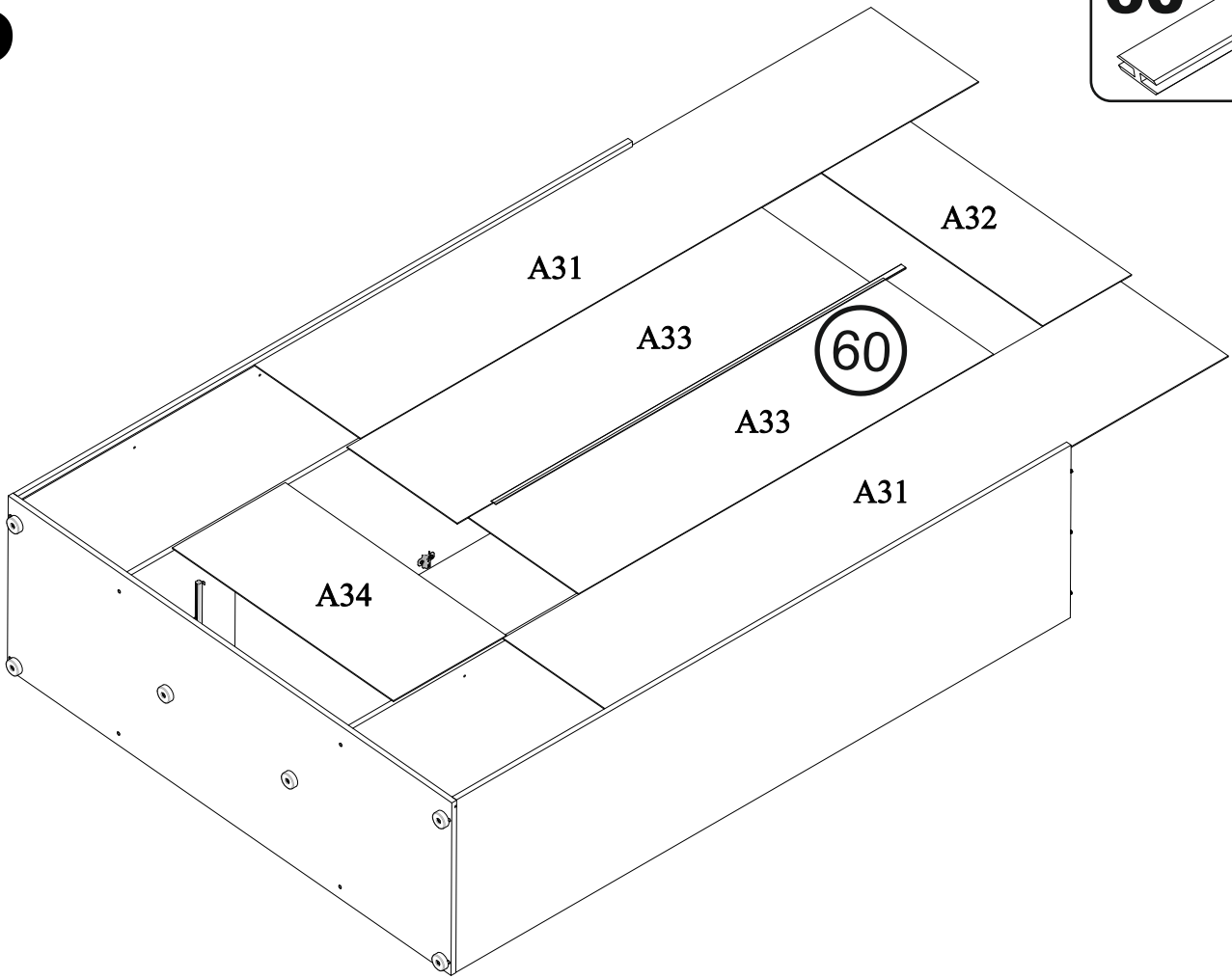
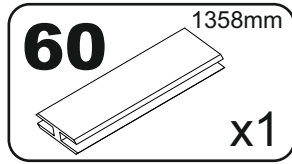
# 13



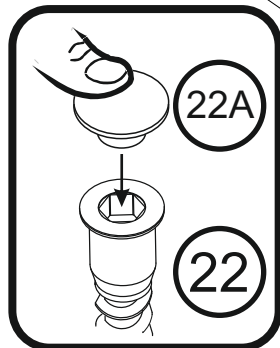
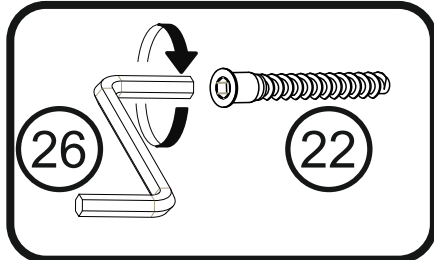
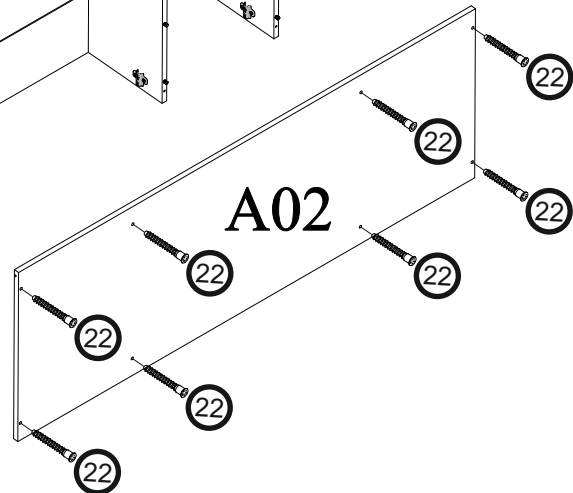
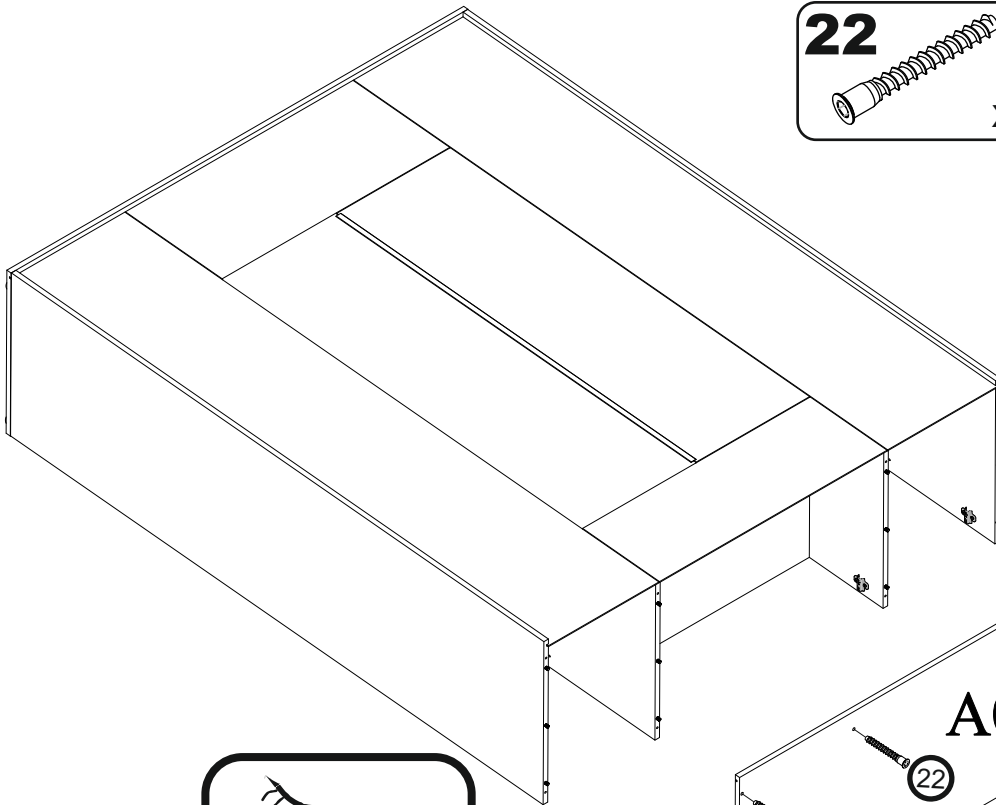
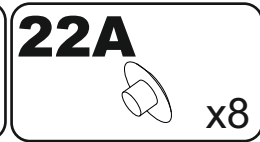
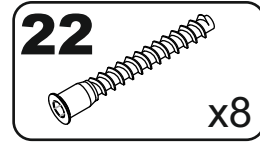
# 14



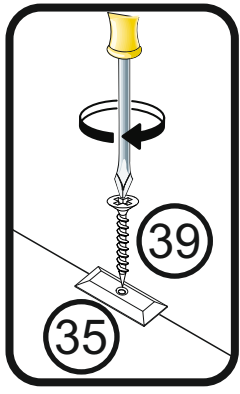
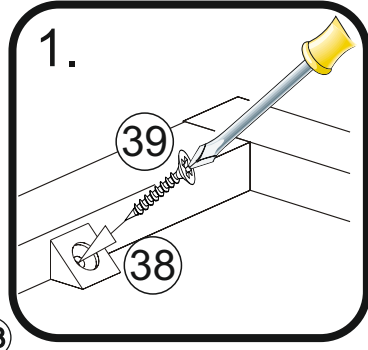
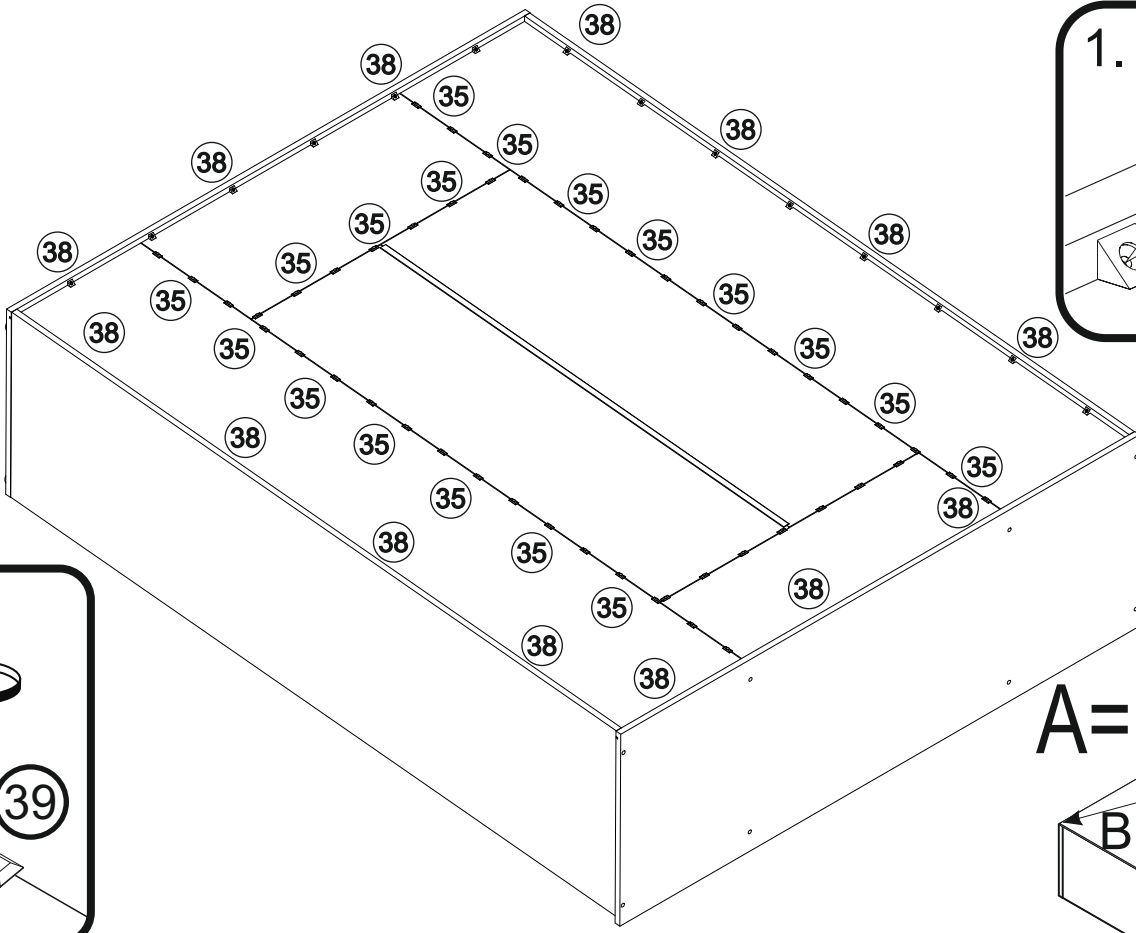
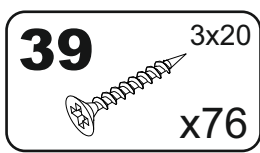
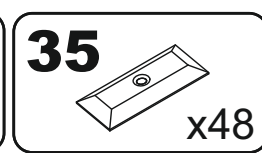
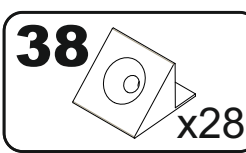
# 15



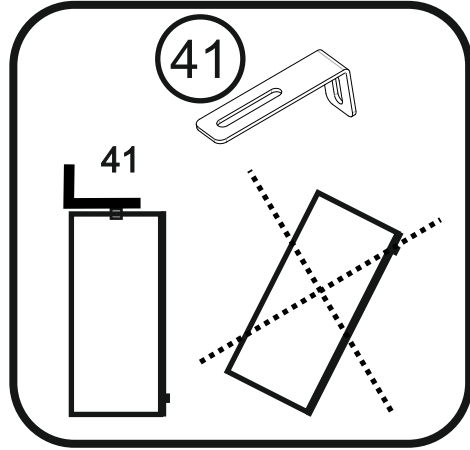
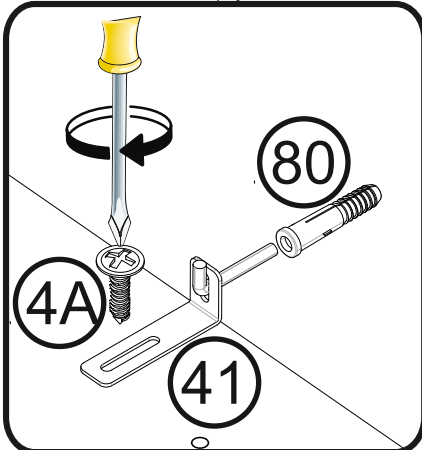
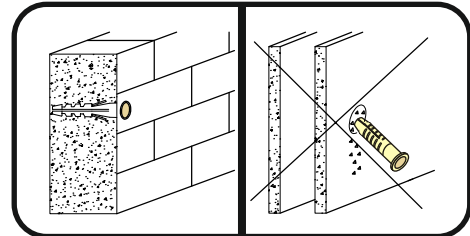
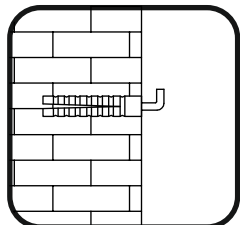
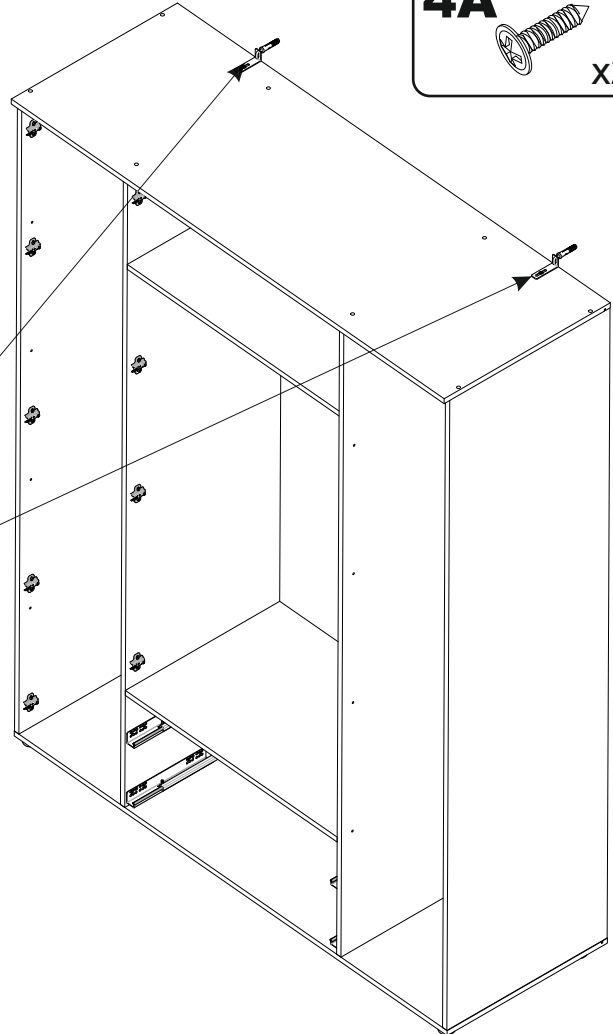
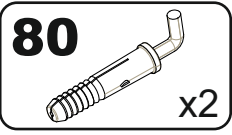
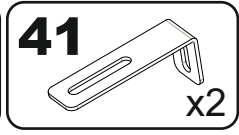
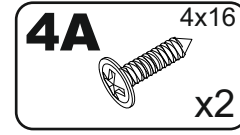
# 16



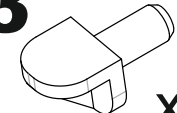
# 17

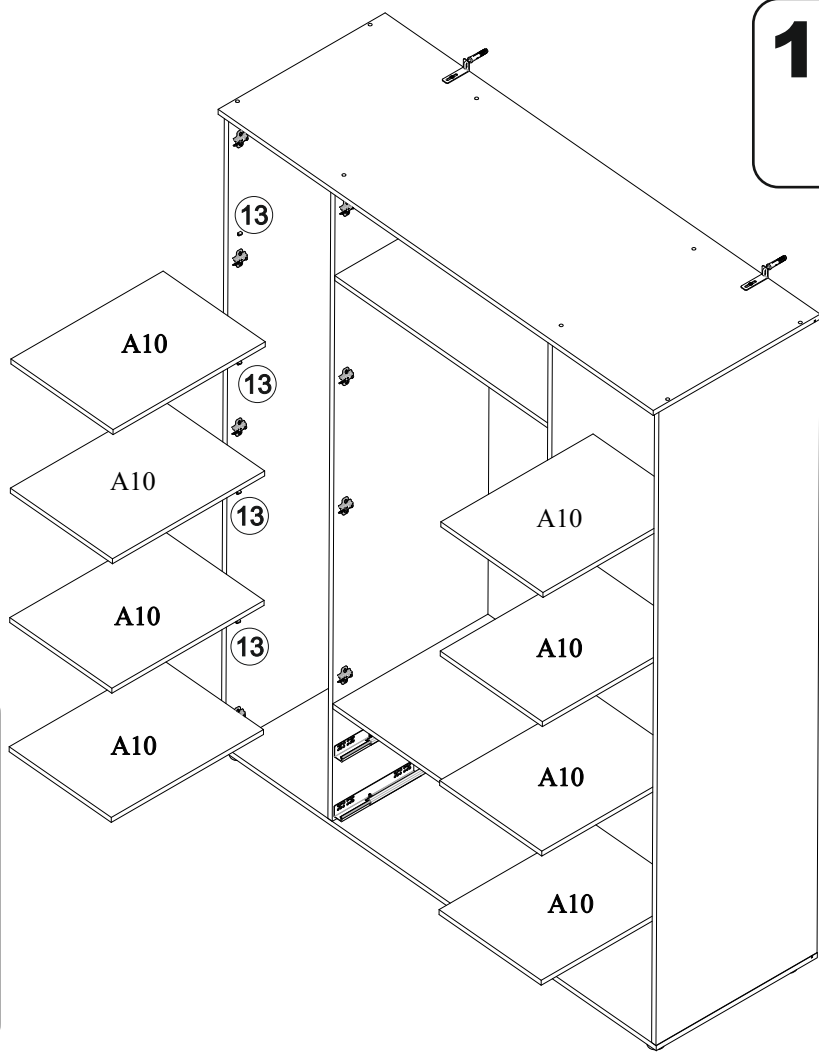


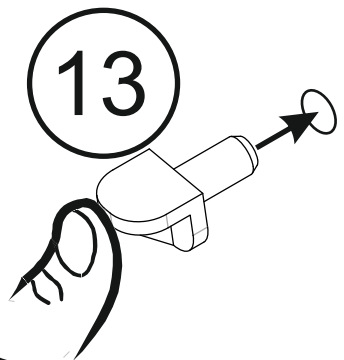
# 18




# 19

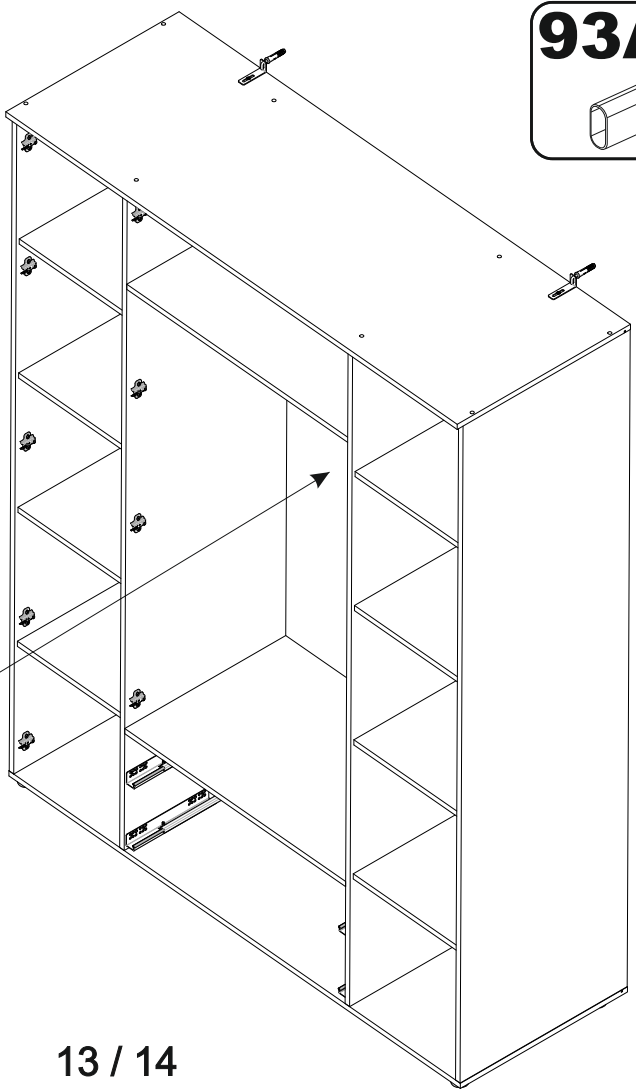
**13**  x24

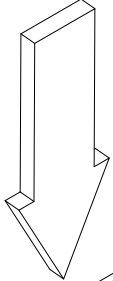



**13** 

# 20

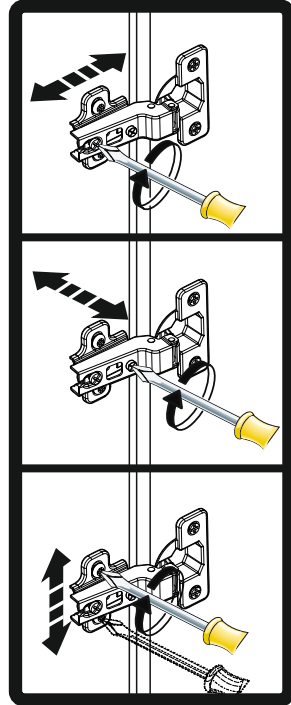
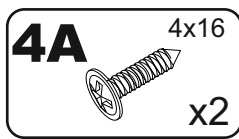
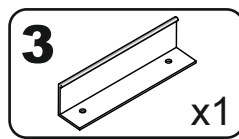
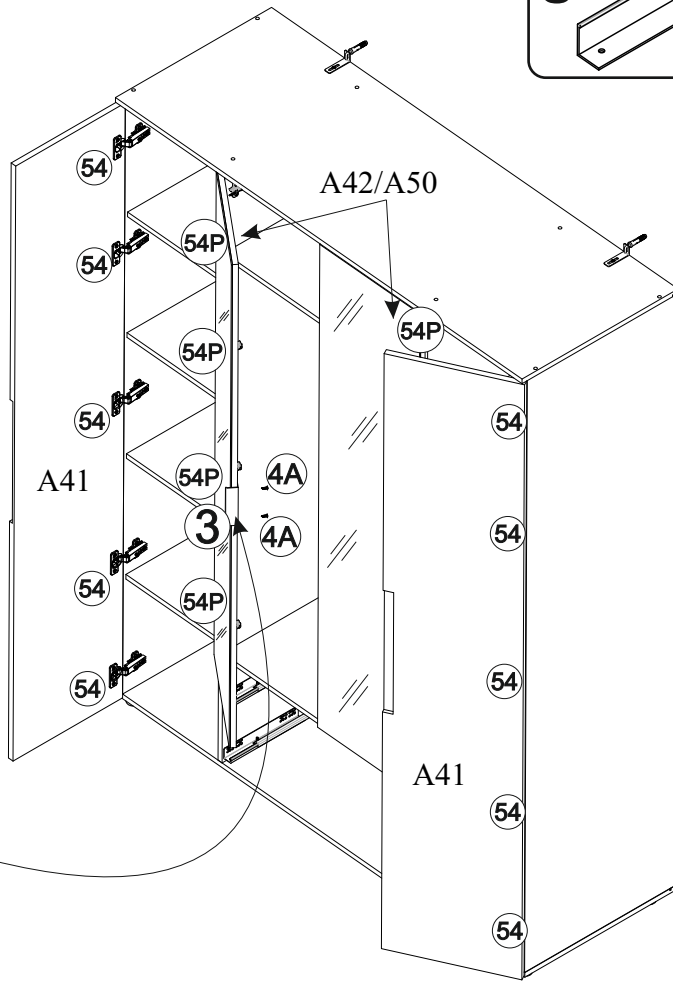
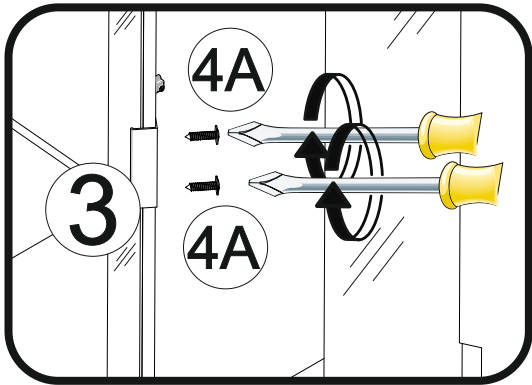
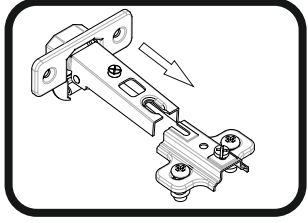
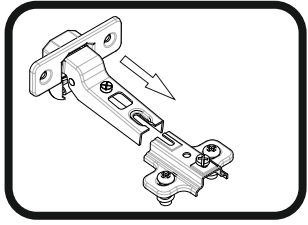
**93A** 777mm  x1



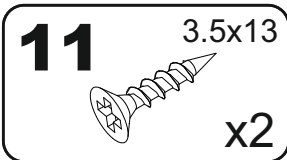
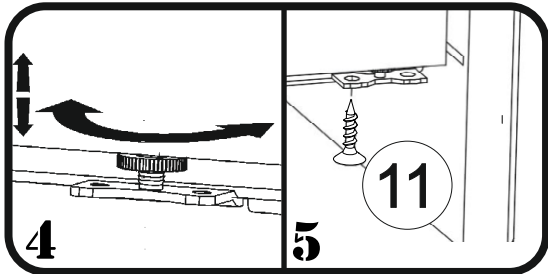
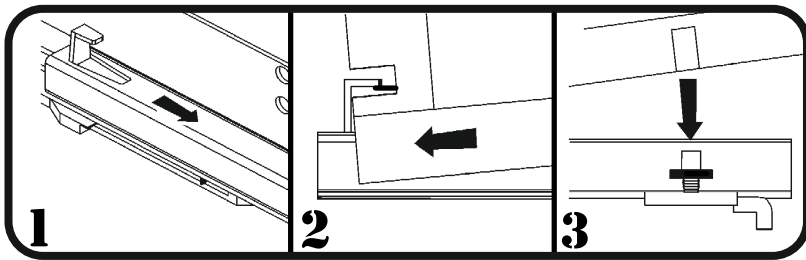
**93A** 

**93C** 

# 21



# 22



AS1

