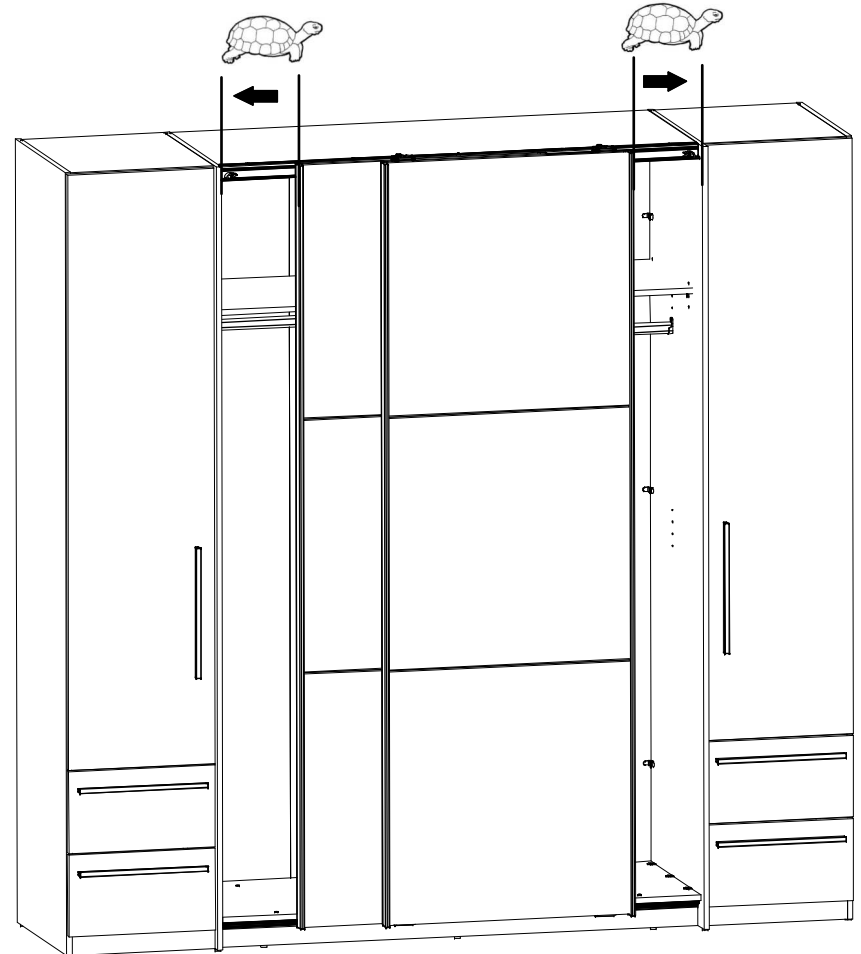
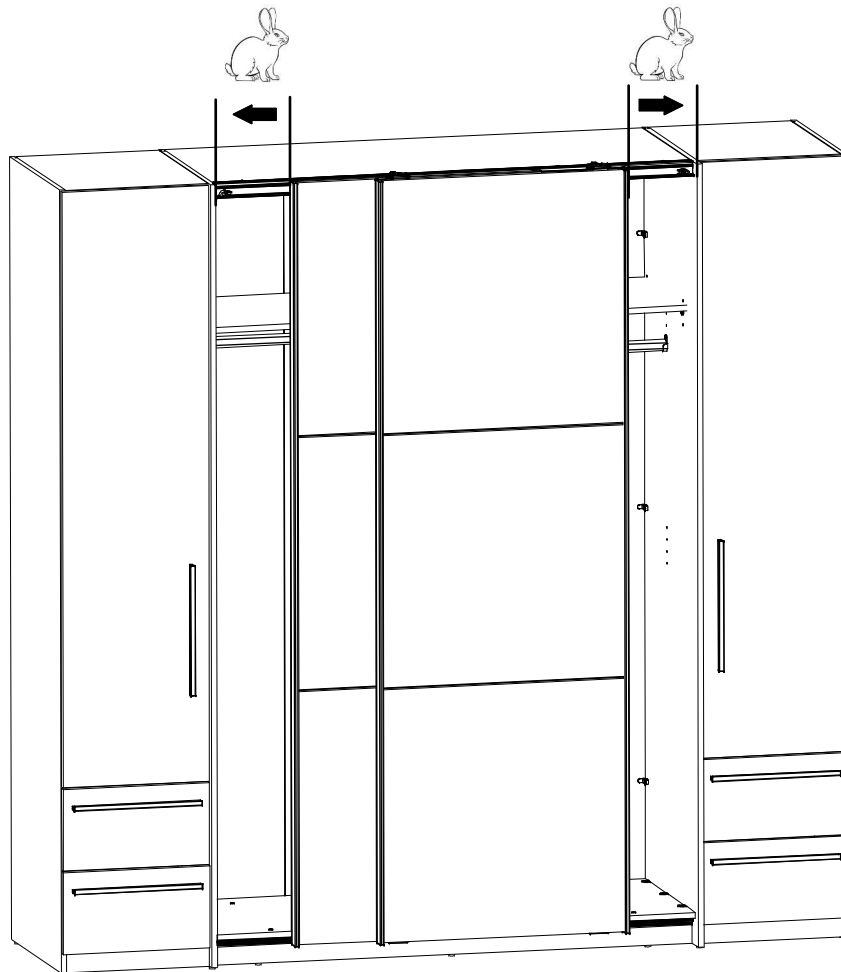
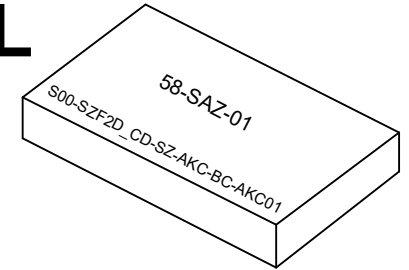
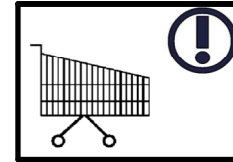




# OPTIONAL



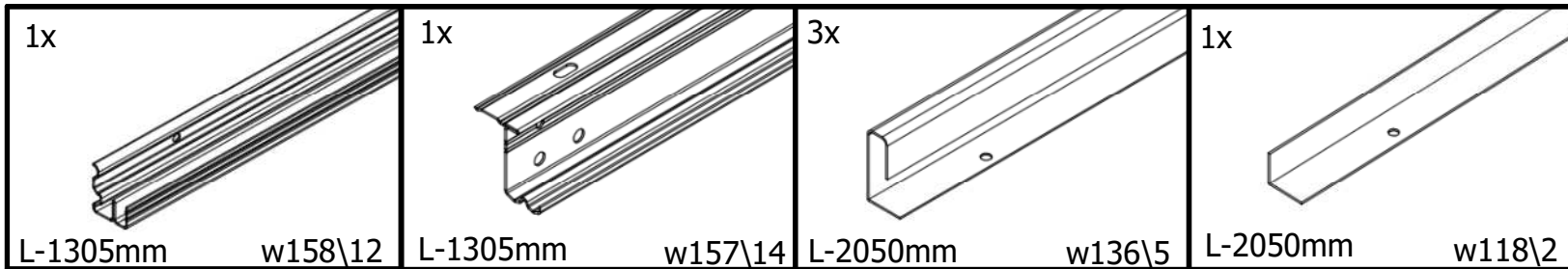


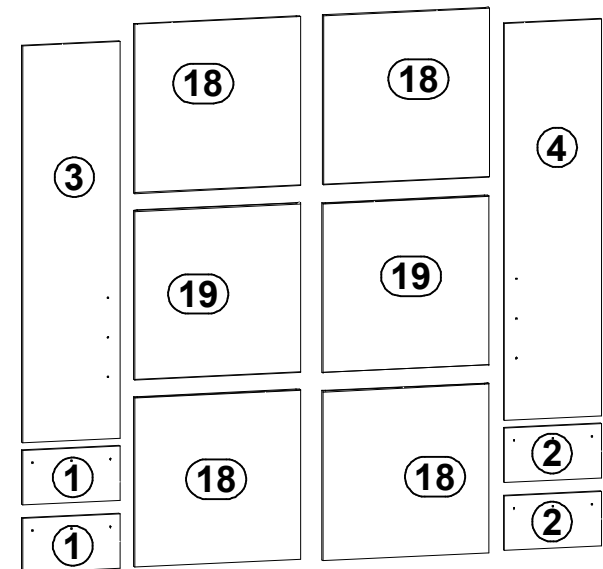
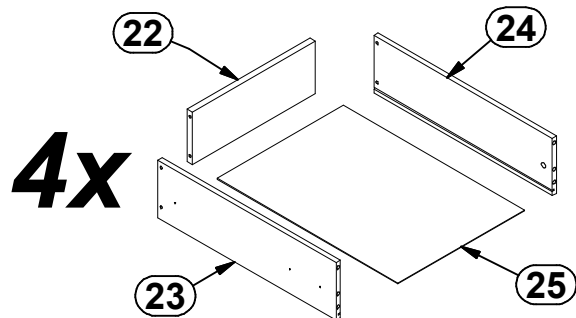
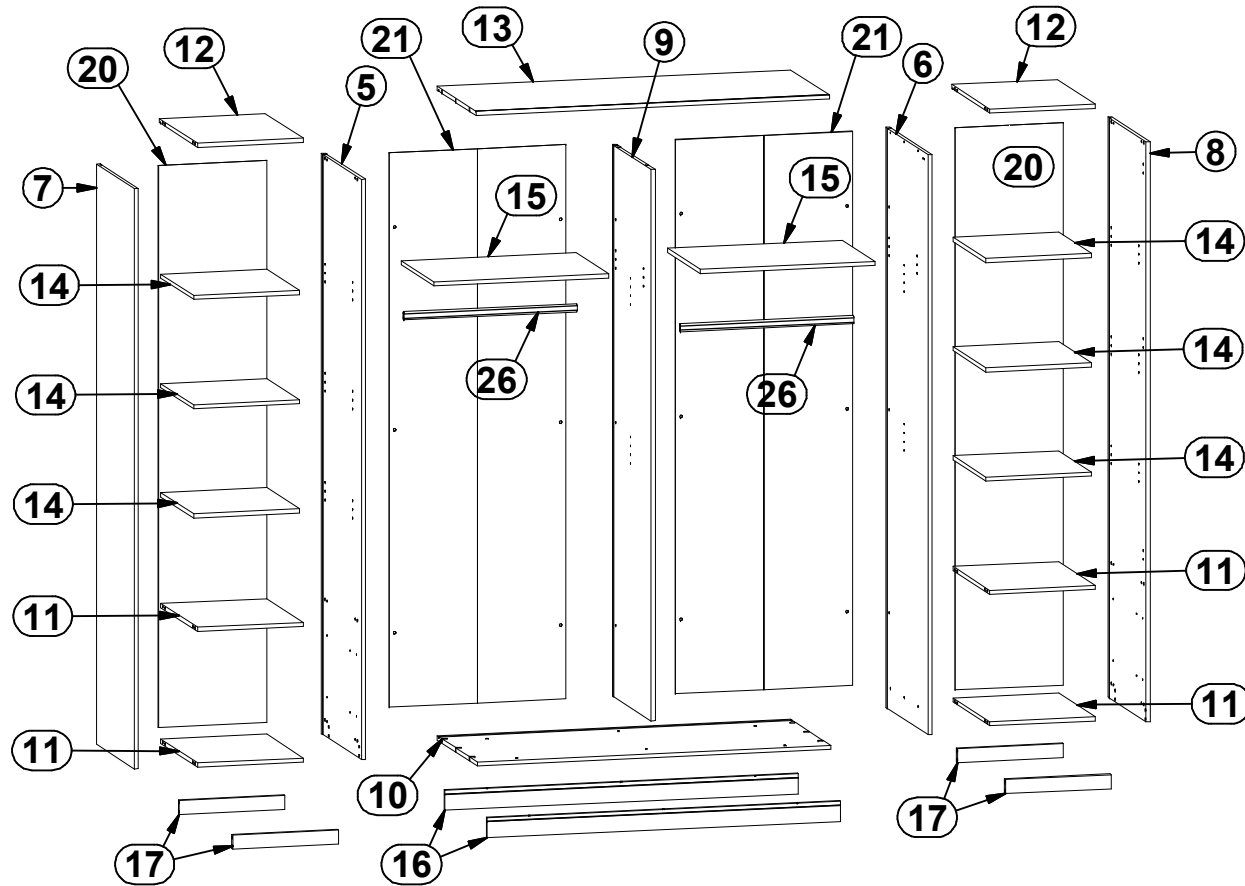
A	B1	B2	C1	C2	C3	D
1	F89-0001	-.1	400	220	16	6/9
2	F89-0002	-.1	400	220	16	6/9
3	F89-0003	-.2	1601	400	16	6/9
4	F89-0004	-.1	1601	400	16	6/9
5	F89-1001	-.5	2105	551	15	3/9
6	F89-1002	-.4	2105	580	15	3/9
7	F89-1003	-.2	2105	527	15	2/9
8	F89-1004	-.2	2105	527	15	2/9
9	F89-1005	-.2	2001	534	15	4/9
10	F89-3001	-	1307	551	15	5/9
11	F89-3002	-	391	507	15	1/9
12	F89-3003	-	391	527	15	1/9
13	F89-3004	-.1	1307	535	15	5/9
14	F89-3005	-	391	452	15	4/9
15	F89-3006	-	646	452	15	4/9
16	F89-4001	-.1	1307	73	15	5/9
17	F89-4002	-	391	51	15	5/9
18	F89-7001	-.1	681	683	16	7/9 8/9
19	F89-7002	-	681	683	16	7/9 8/9
20	F89-9003	-.1	2040	400	2,5	3/9
21	F89-9302	-.1	2011	654	2,5	2/9
22	STK-5012	-.1	345	127	15	6/9
23	WSK3-5011	-.3	500	140	12	5/9
24	WSK3-5012	-.3	500	140	12	5/9
25	WSP-9637	B.53	355	508	2,5	1/9
26	dr-640	-	640	30	15	5/9

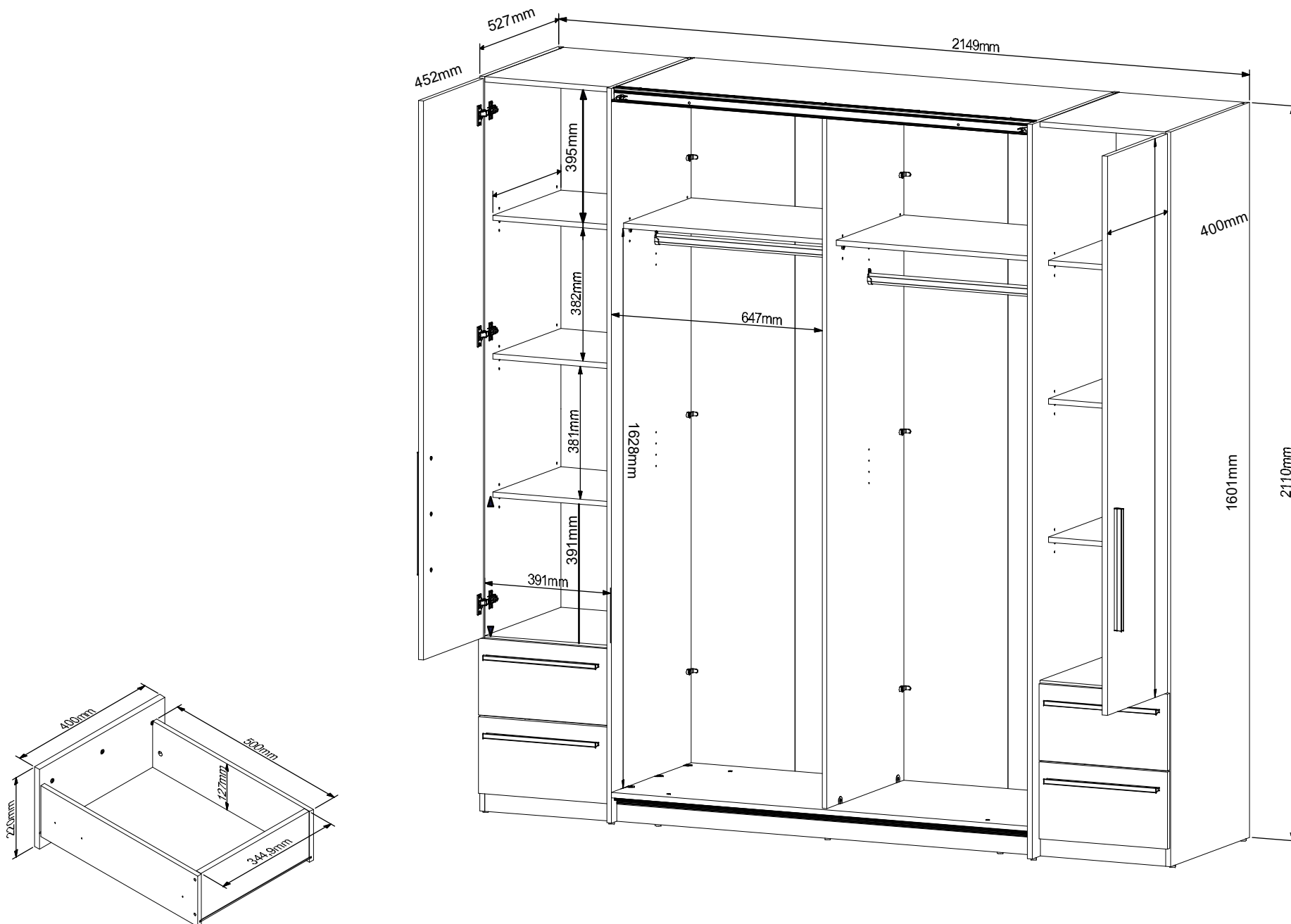
**OPTIONAL** S00-SZF2D\_CD-SZ-AKC-BC-AKC01

w277\1-2x  
 w277\2L-2x  
 w277\3-1x  
 w277\4-1x  
 w277\5-1x  
 w277\2P-2x  
 4x16 p19-4x  
 3,5x20 p79-2x  
 4x30 p21-6x  
 3x9 p159-1x

\$14





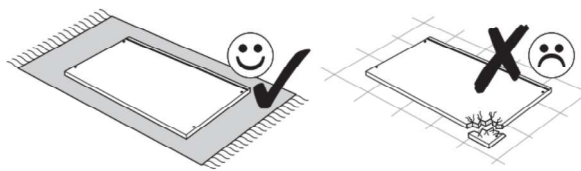
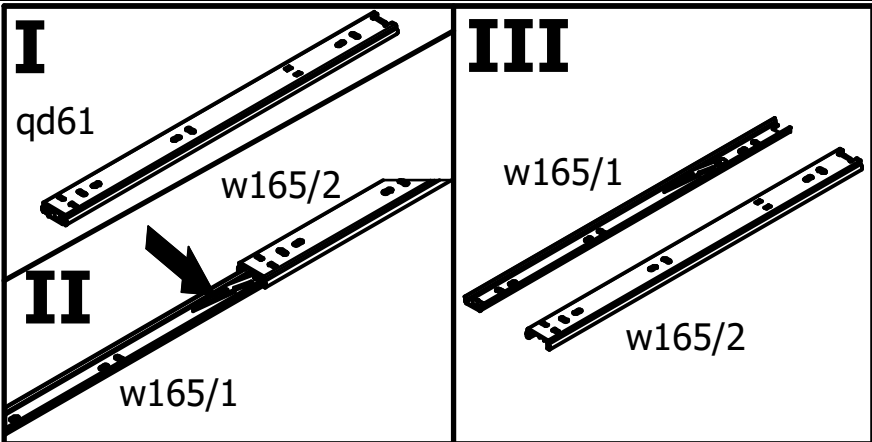


**A**

**F89-SZF4D4S\_215**

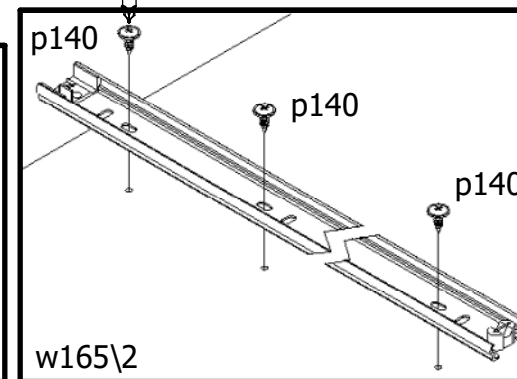
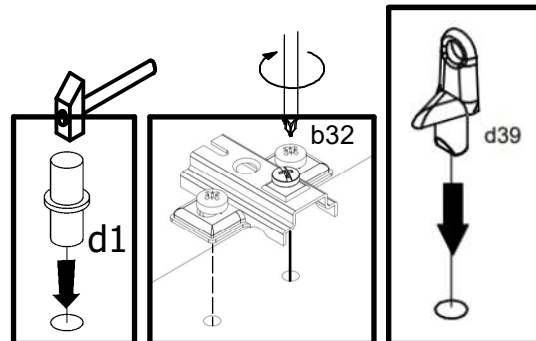
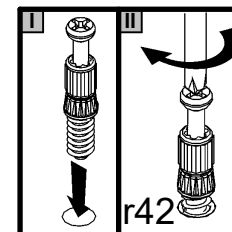
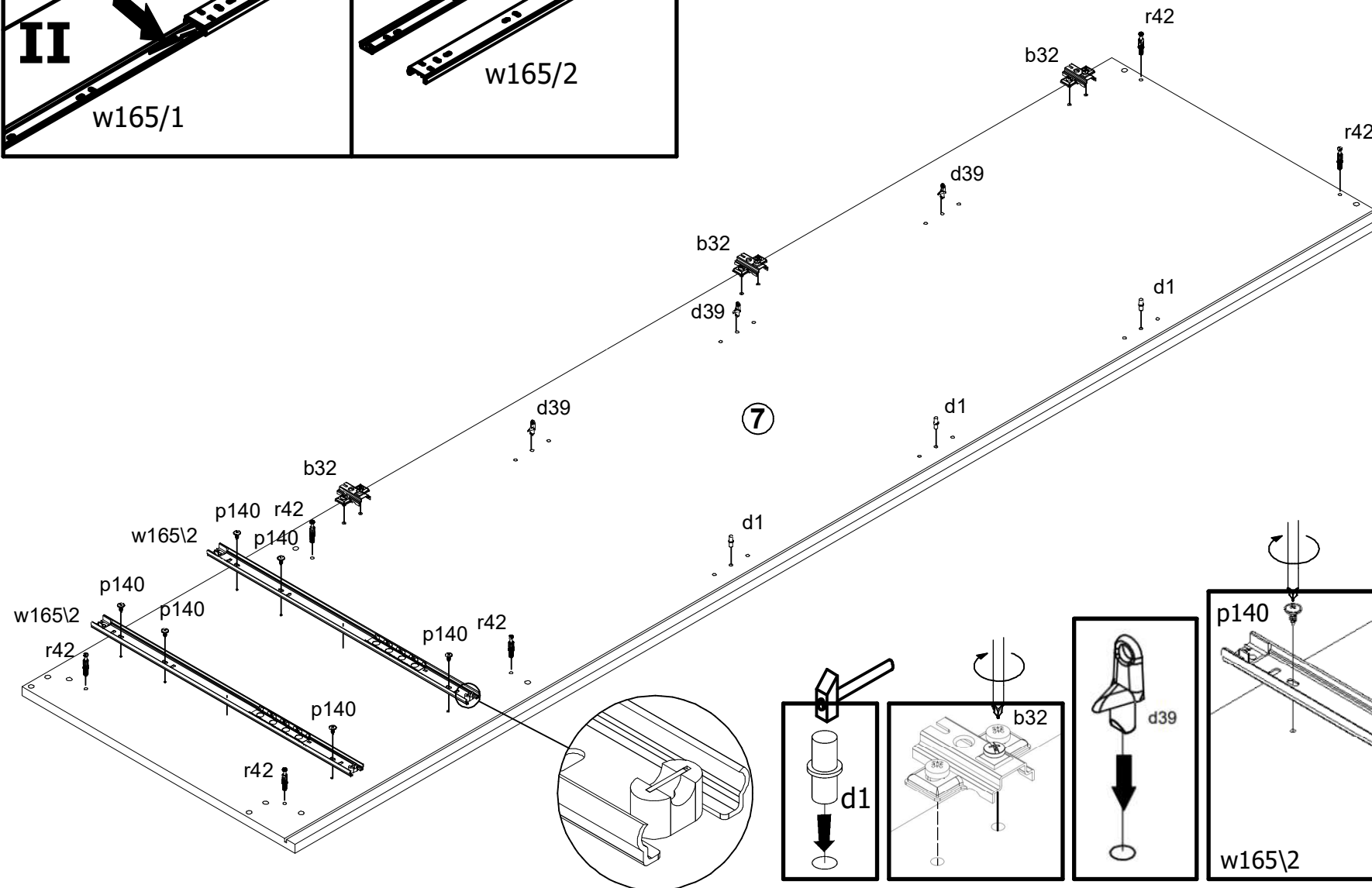
**58-654**

6 / 40



3x Ø5x17 mm d1	3x d39	6x 20/11 r42
3x b32	6x Ø3.5x12 mm p140	2x 500x20 mm w165\2

**1**

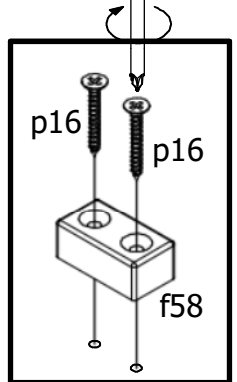
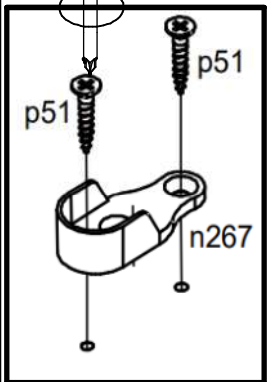
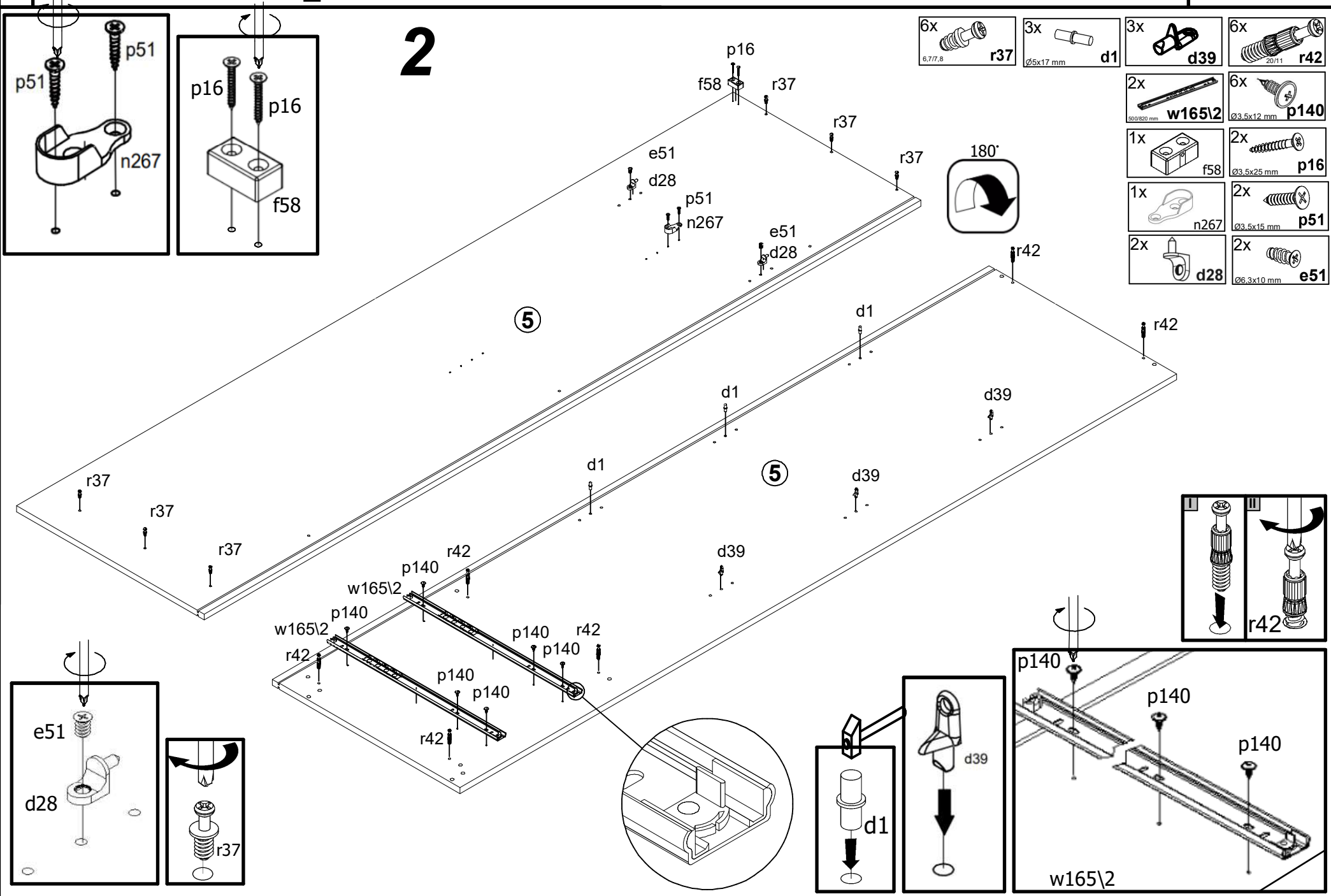


A

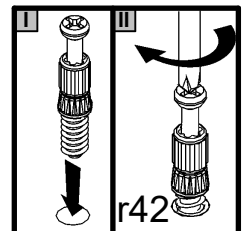
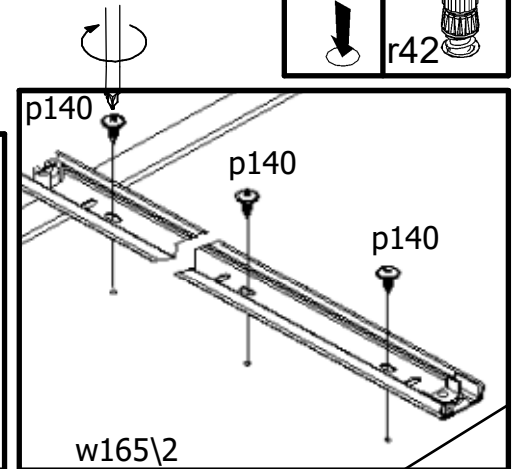
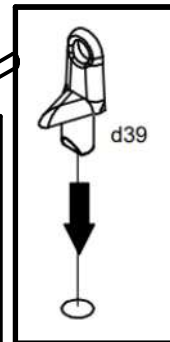
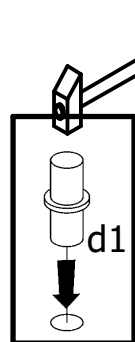
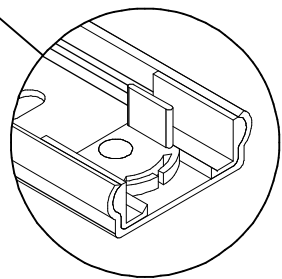
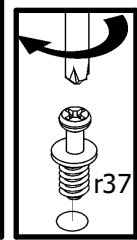
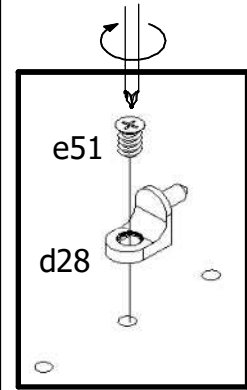
# F89-SZF4D4S\_215

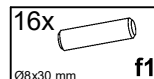
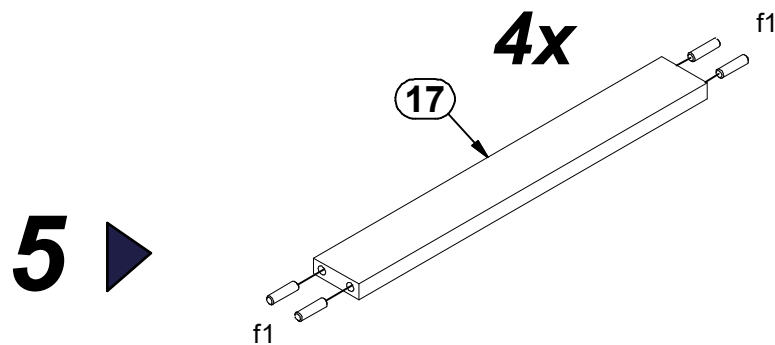
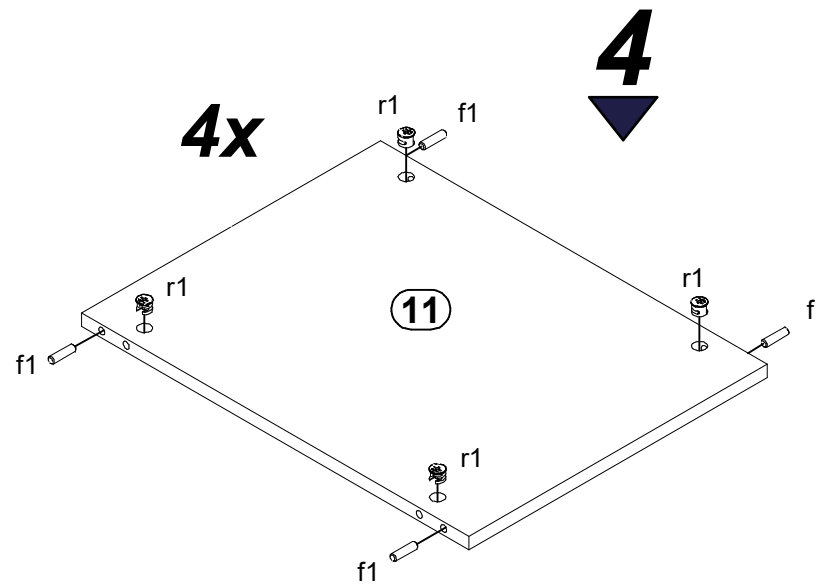
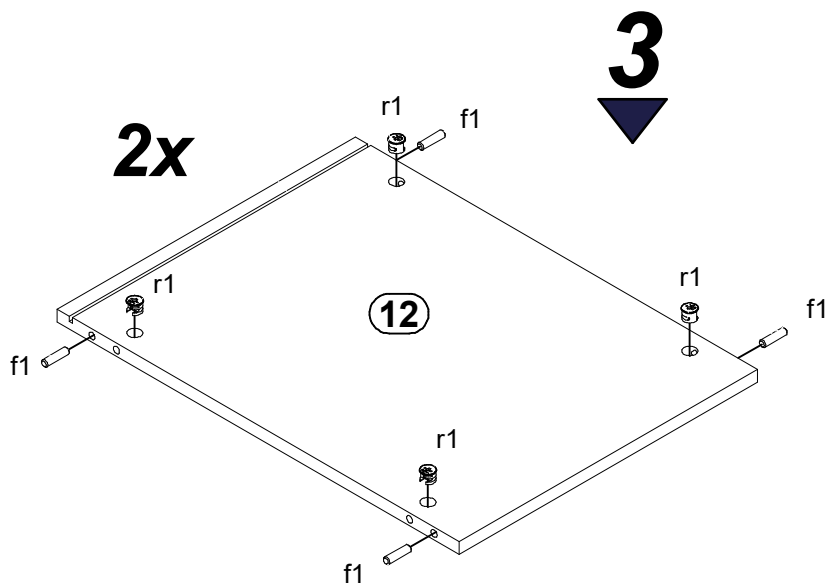
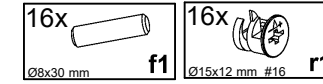
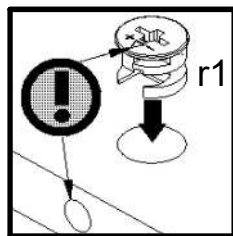
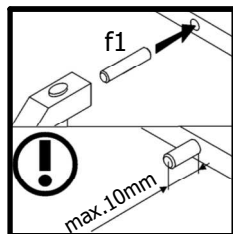
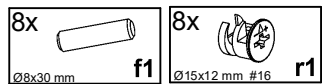
# 58-654

## 2

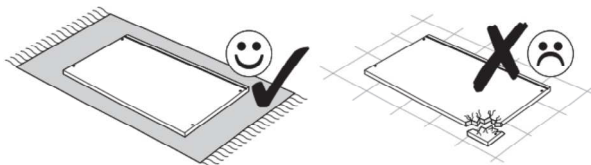


- |                            |                          |           |                         |
|----------------------------|--------------------------|-----------|-------------------------|
| 6x<br>6.7/7.8<br>r37       | 3x<br>Ø5x17 mm<br>d1     | 3x<br>d39 | 6x<br>20/11<br>r42      |
| 2x<br>300/820 mm<br>w165\2 | 6x<br>Ø3.5x12 mm<br>p140 | 1x<br>f58 | 2x<br>Ø3.5x25 mm<br>p16 |
| 1x<br>n267                 | 2x<br>Ø3.5x15 mm<br>p51  | 2x<br>d28 | 2x<br>Ø6.3x10 mm<br>e51 |



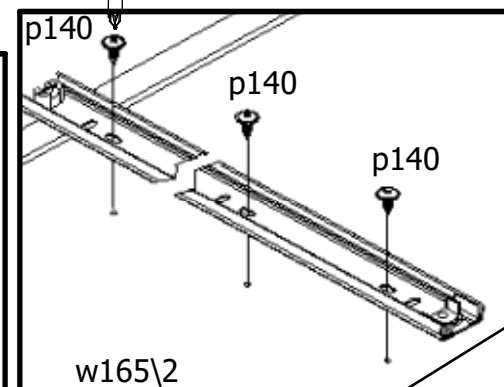
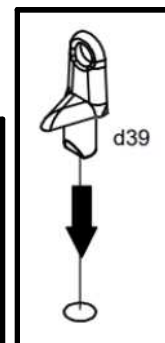
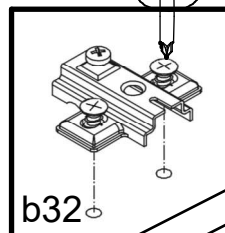
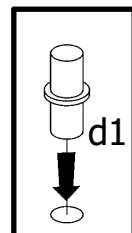
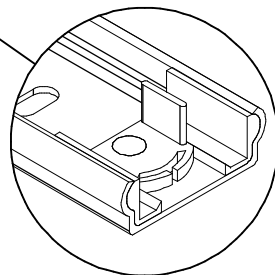
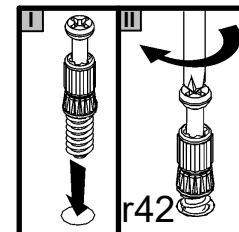
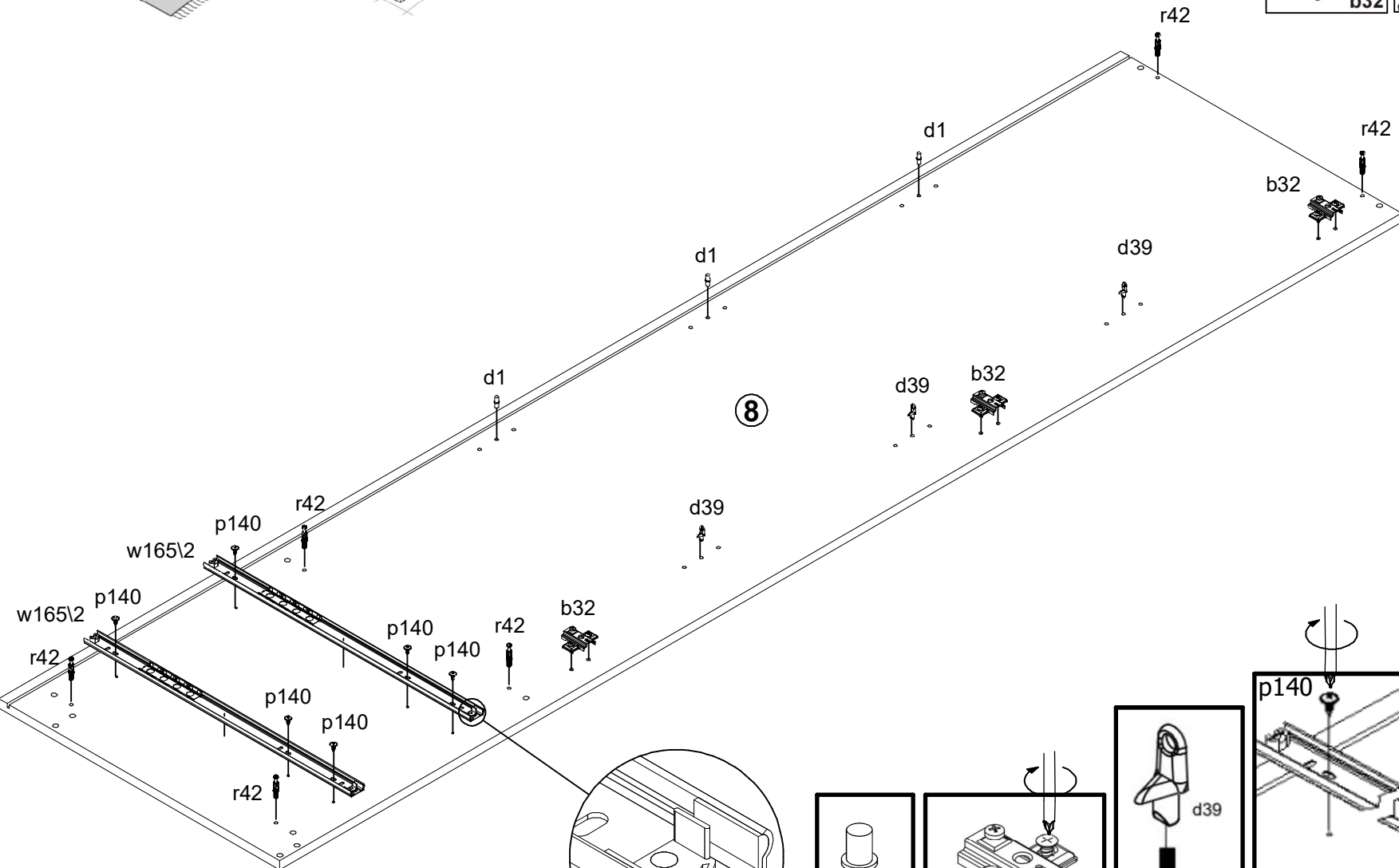






3x ø5x17 mm d1	3x d39	6x 20/11 r42
3x b32	6x ø3.5x12 mm p140	2x 50/820 mm w165\2

6



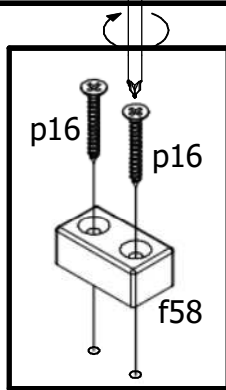
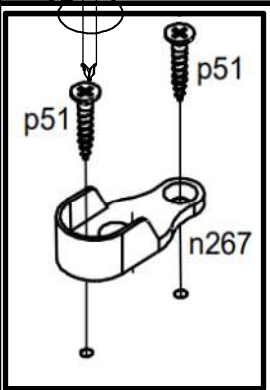
A

F89-SZF4D4S\_215

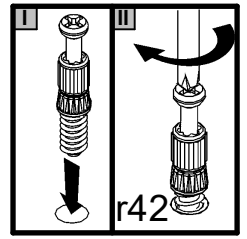
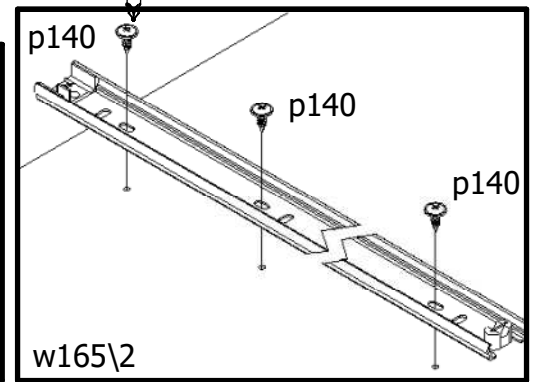
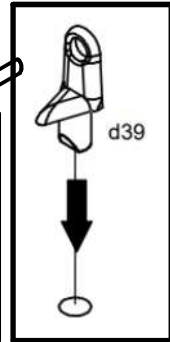
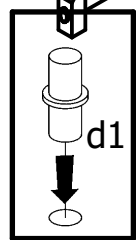
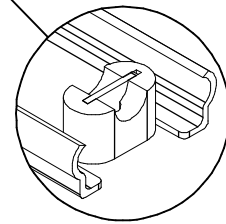
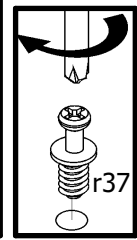
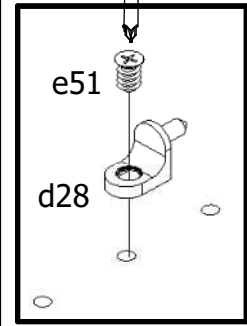
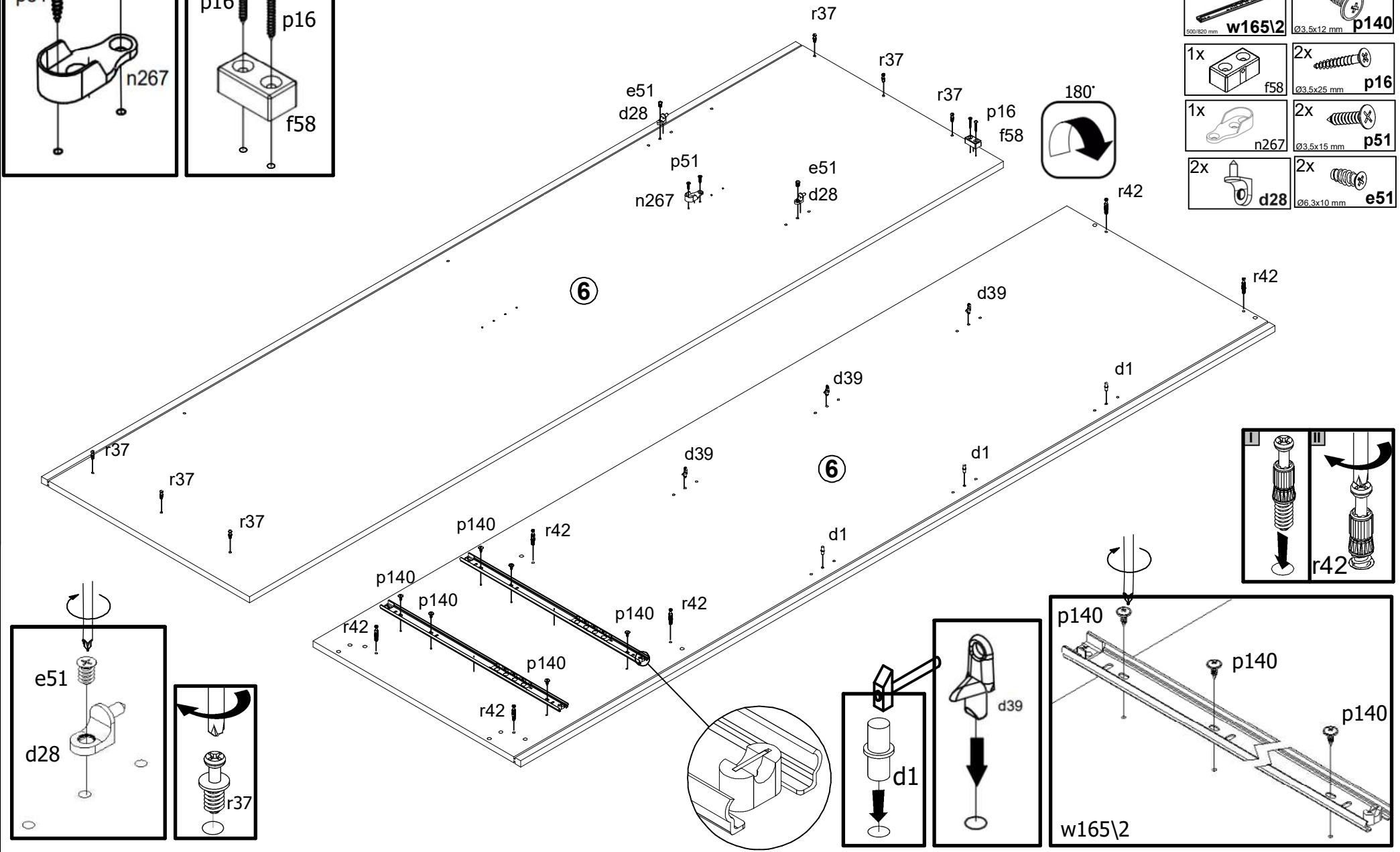
58-654

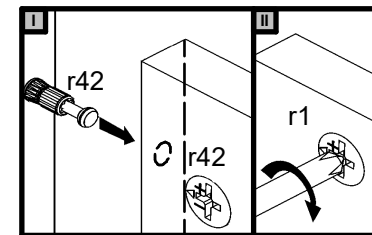
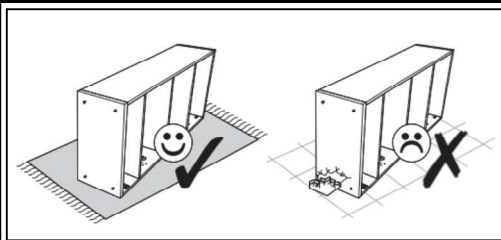
10 / 40

7

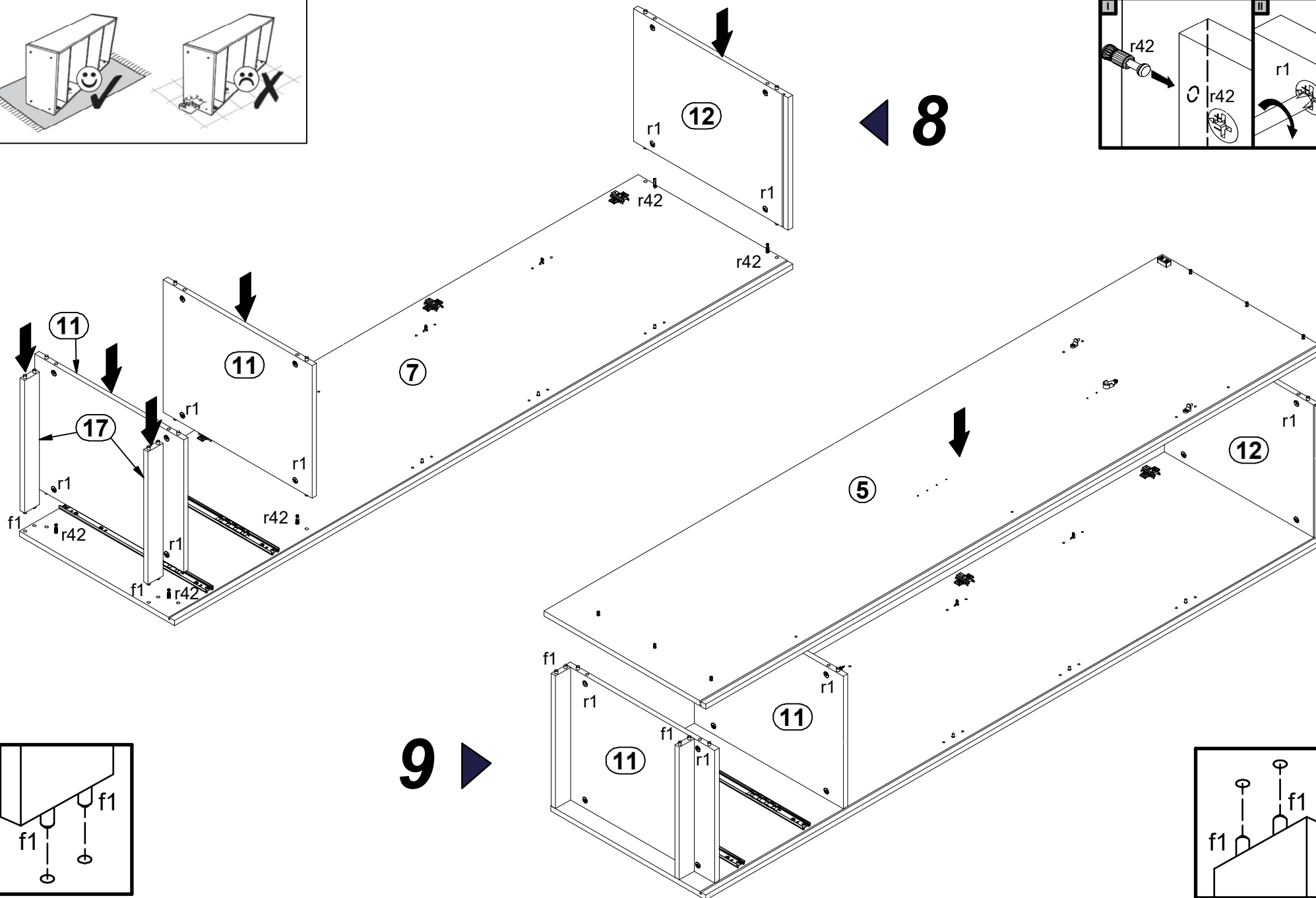


- 6x 6.77.8 r37
- 3x Ø5x17 mm d1
- 3x d39
- 6x 20/11 r42
- 2x 500/820 mm w165\2
- 6x Ø3.5x12 mm p140
- 1x f58
- 2x Ø3.5x25 mm p16
- 1x n267
- 2x Ø3.5x15 mm p51
- 2x d28
- 2x Ø6.3x10 mm e51

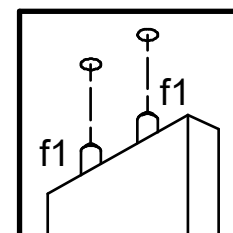
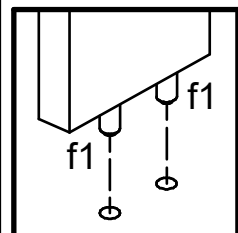


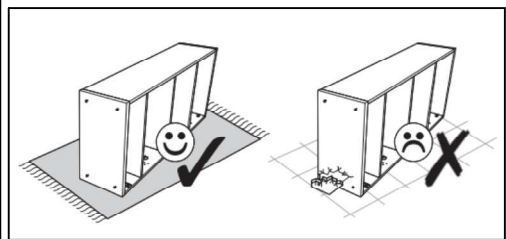


8

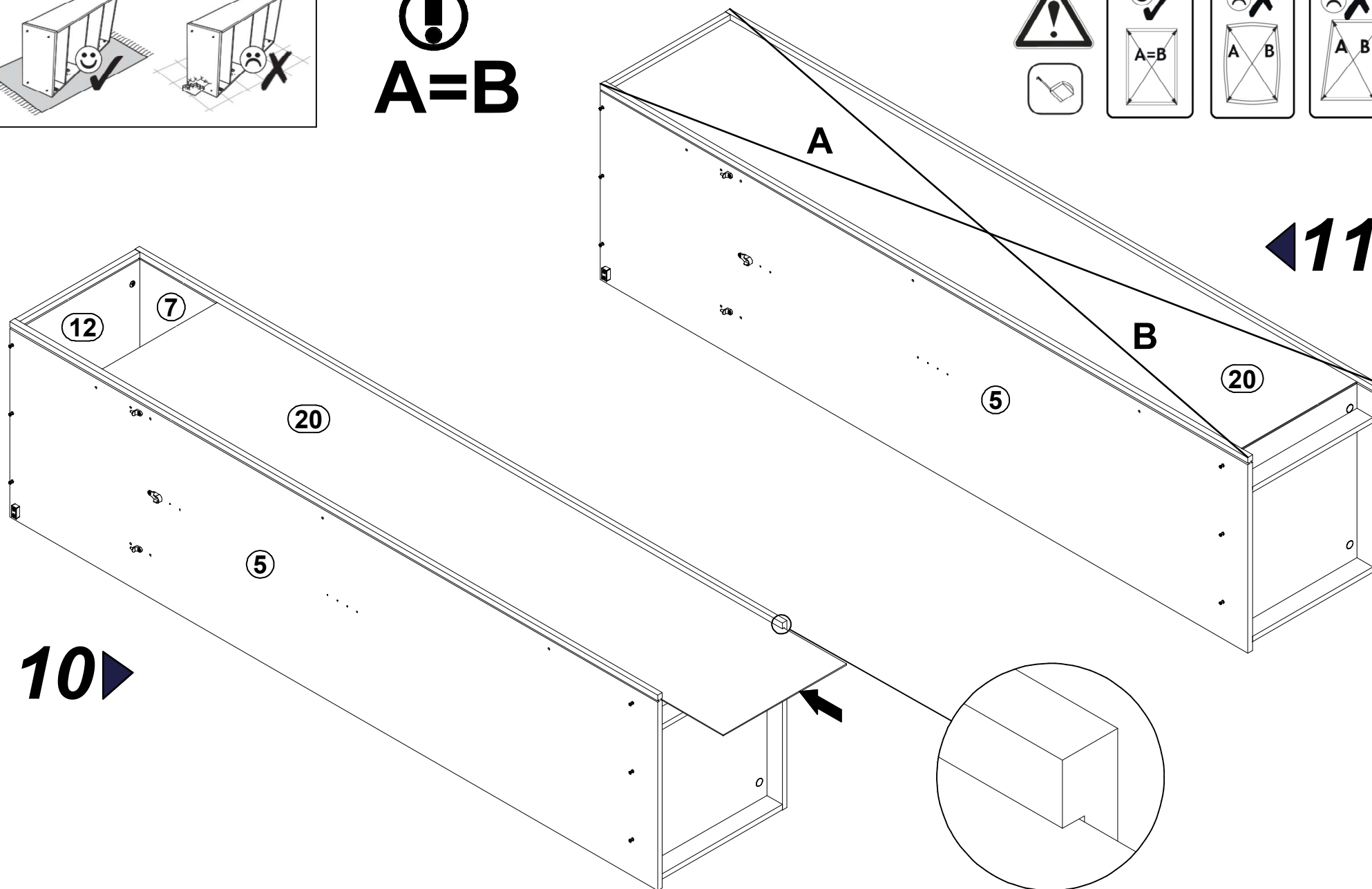
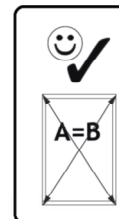


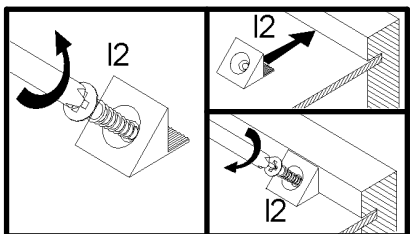
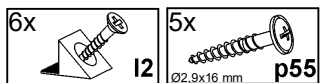
9



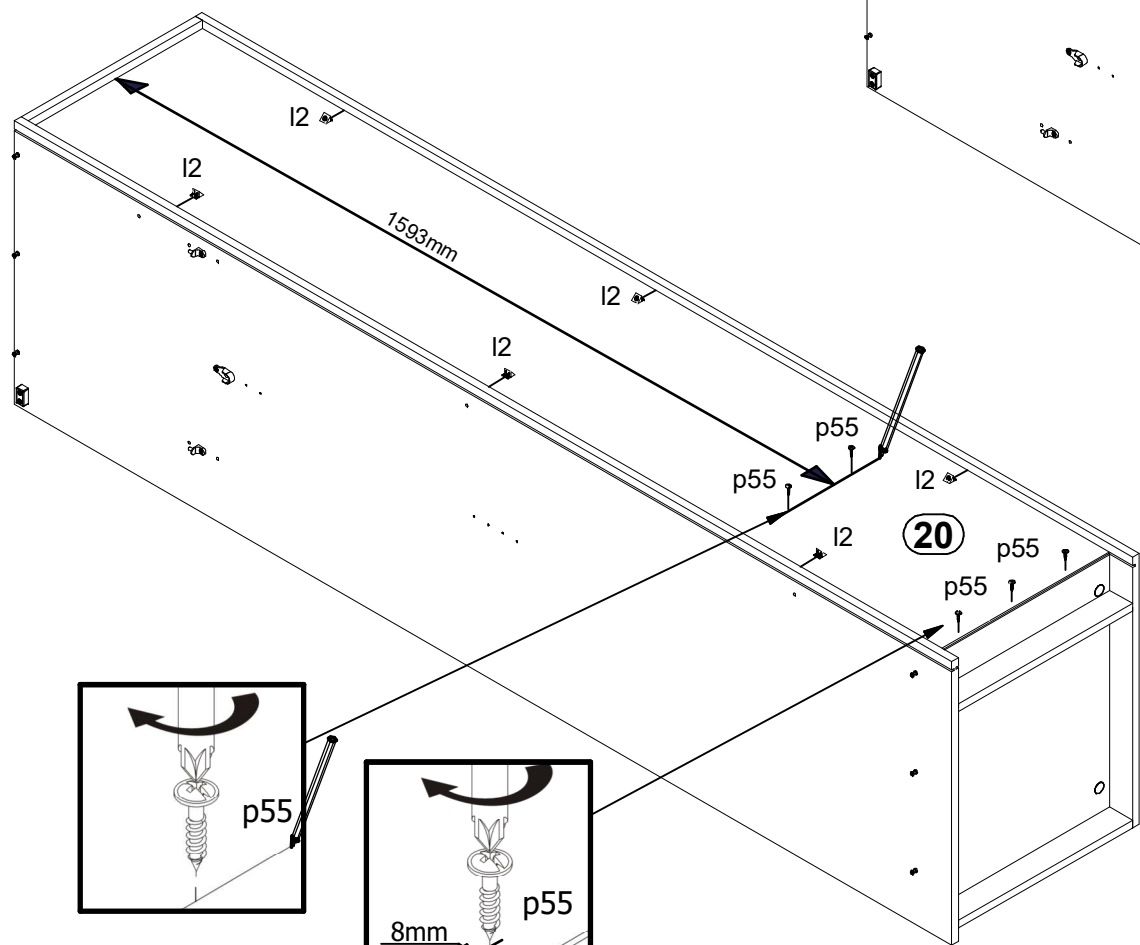
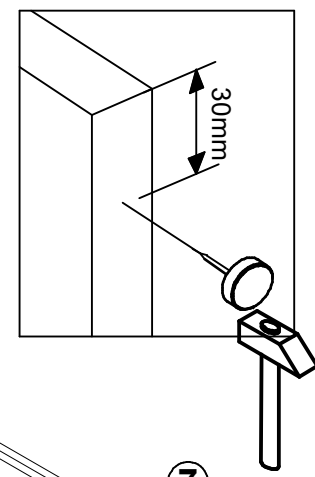
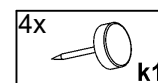


**!**  
**A=B**

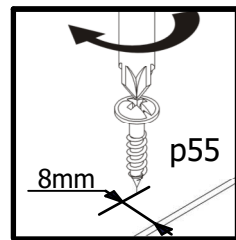
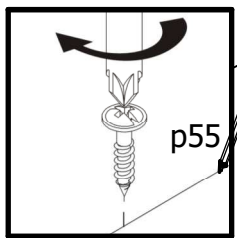
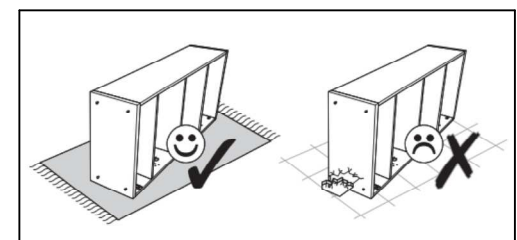


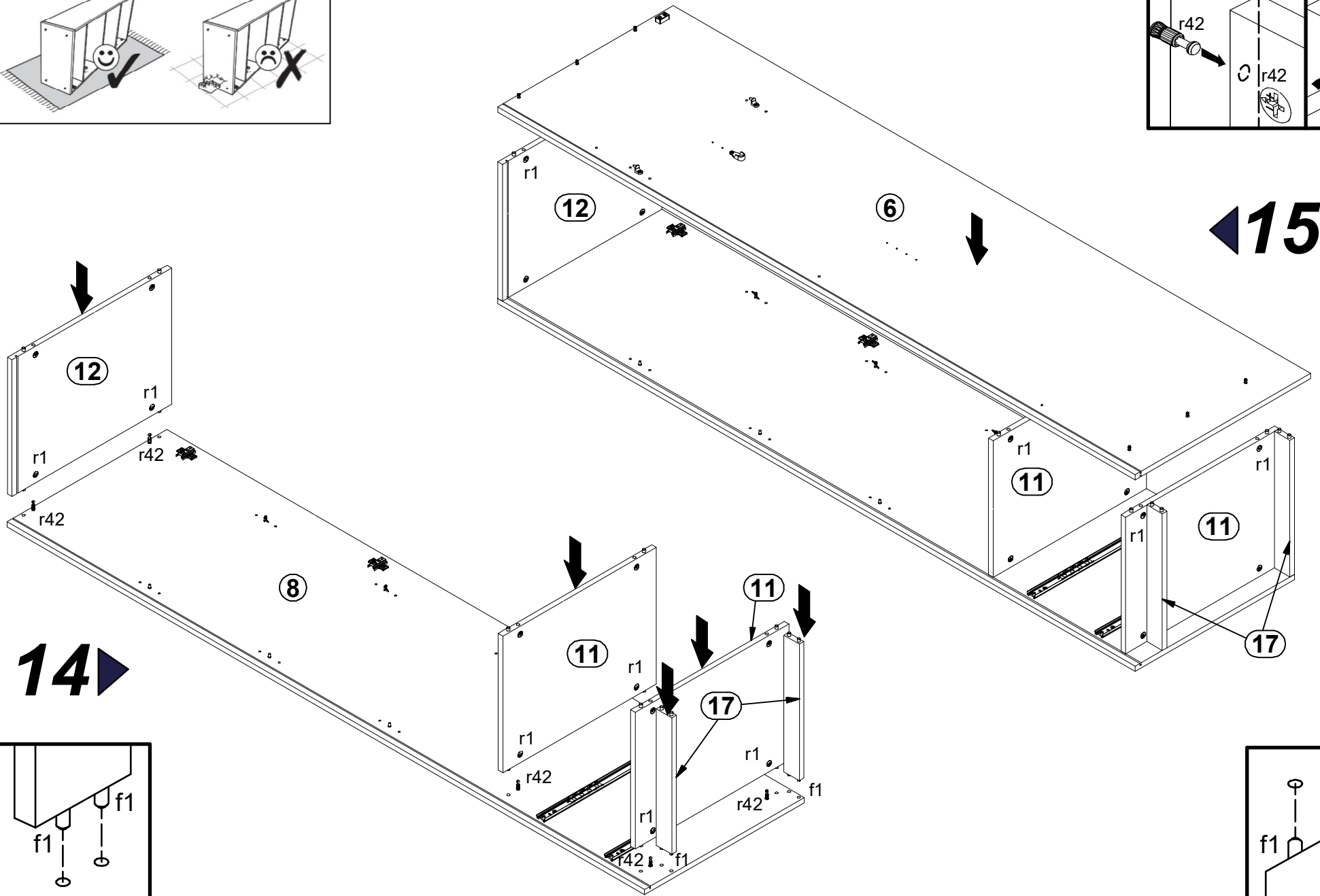
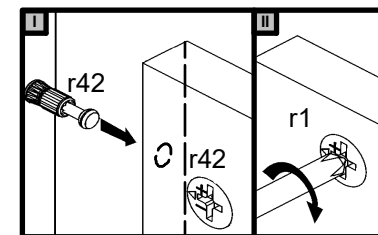
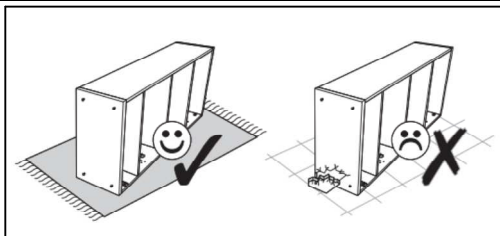


**13** ▶



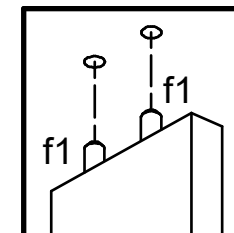
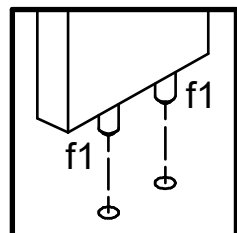
◀ **12**

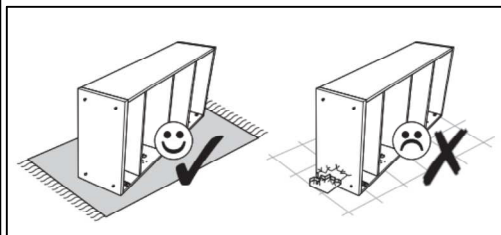




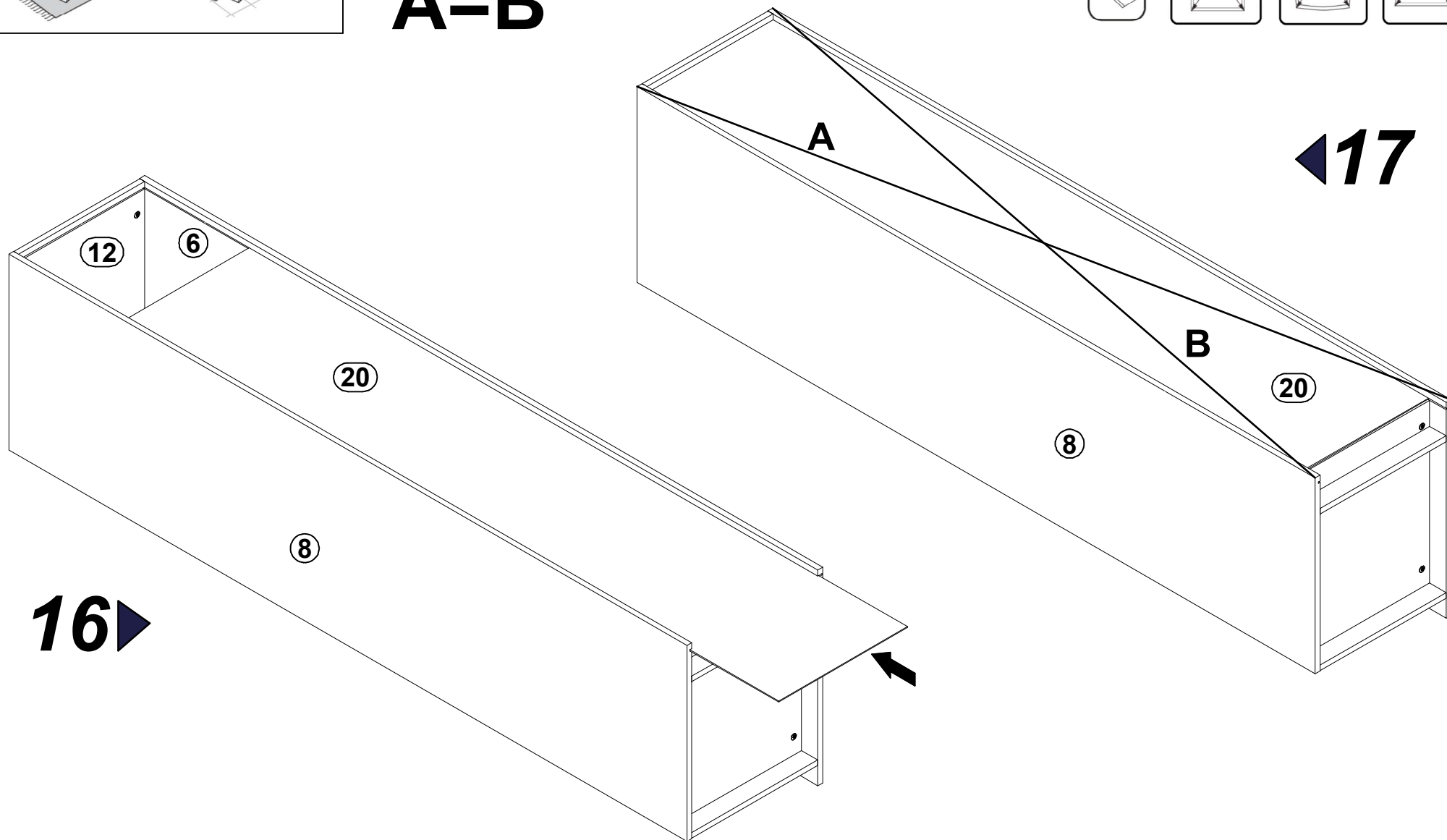
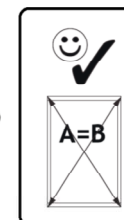
14

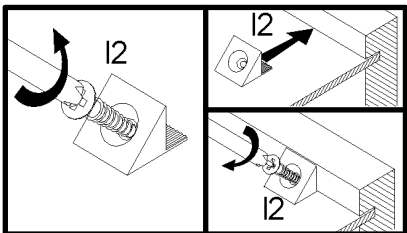
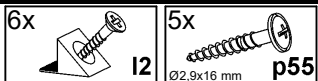
15



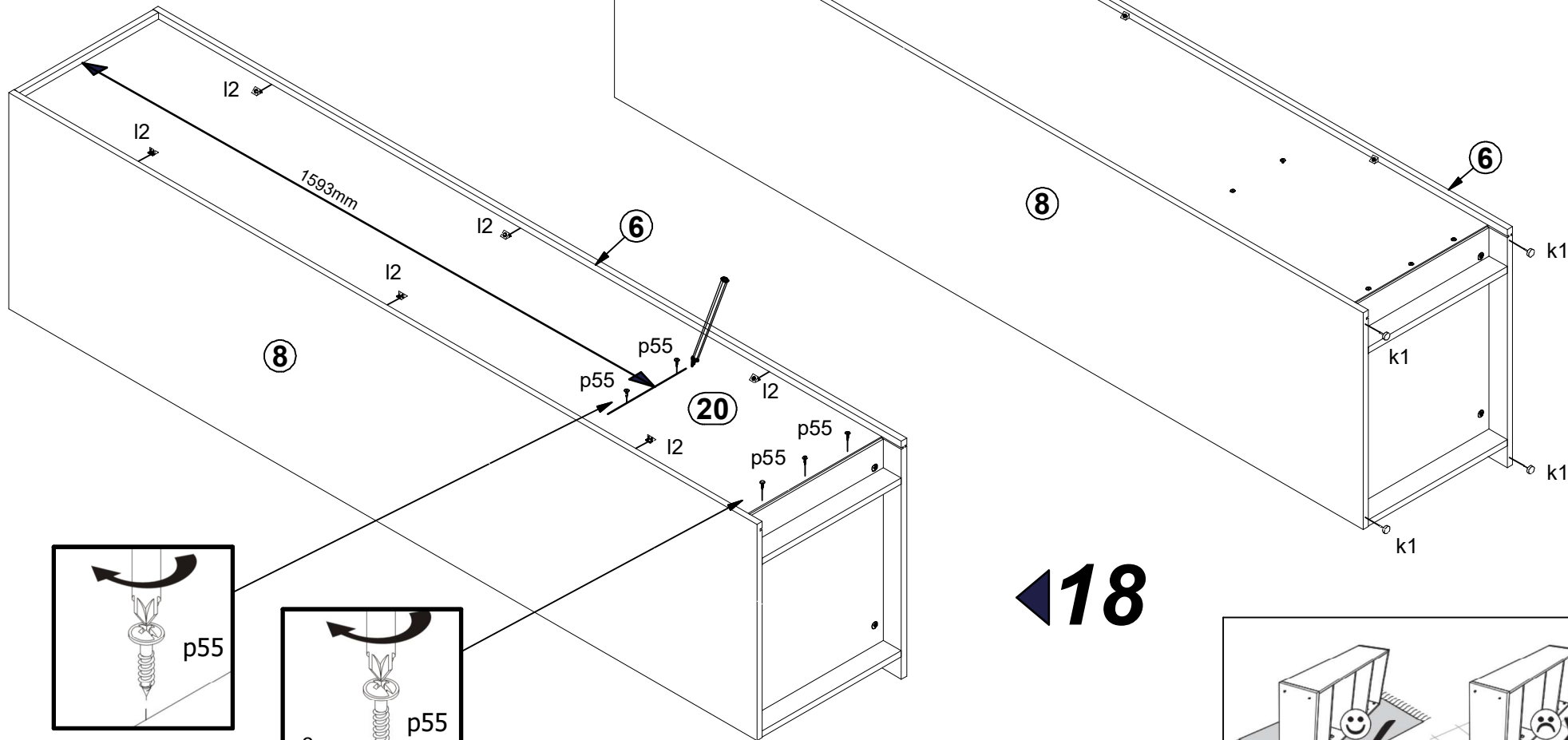
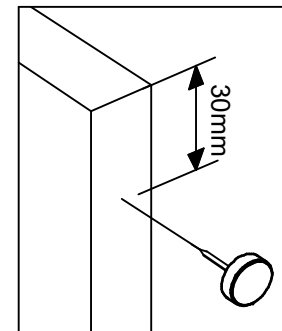
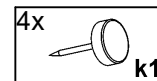


⚠  
**A=B**

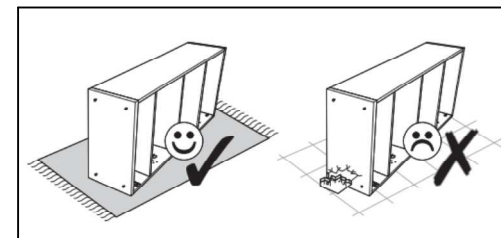
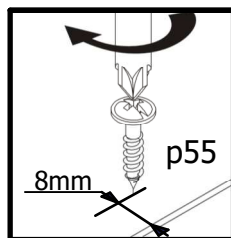
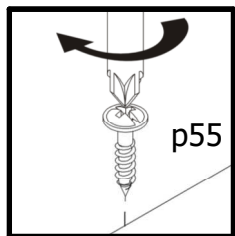




19 ▶



◀ 18



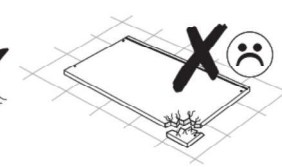
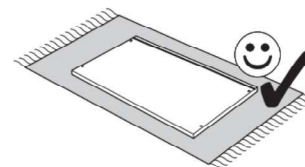
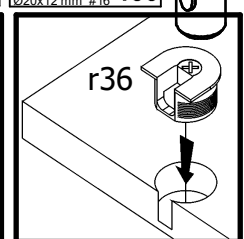
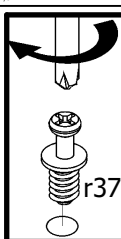
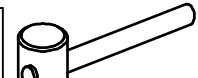
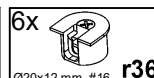
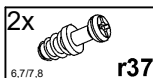


A

F89-SZF4D4S\_215

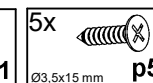
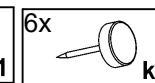
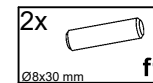
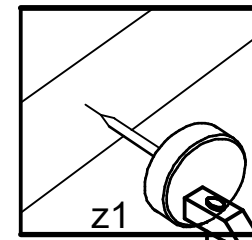
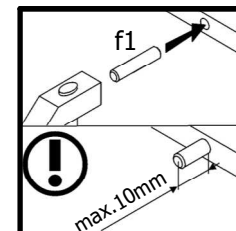
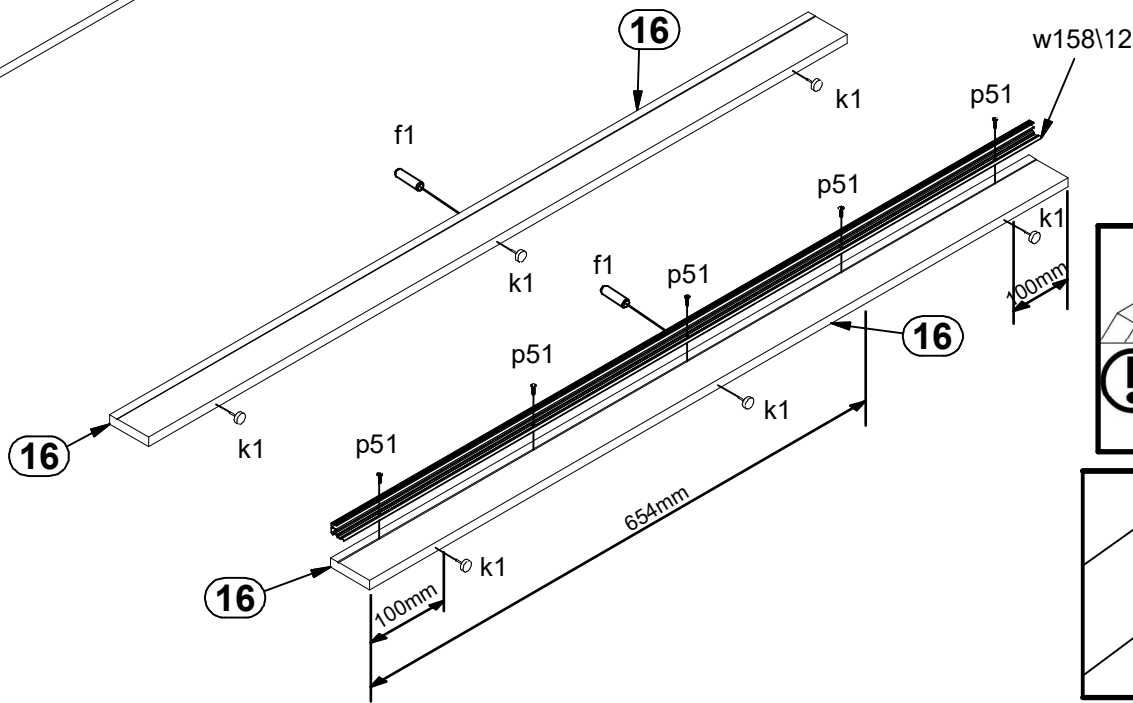
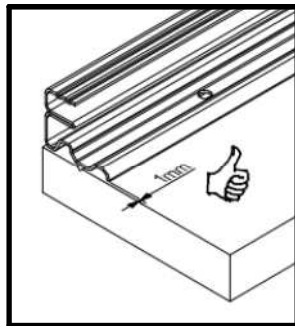
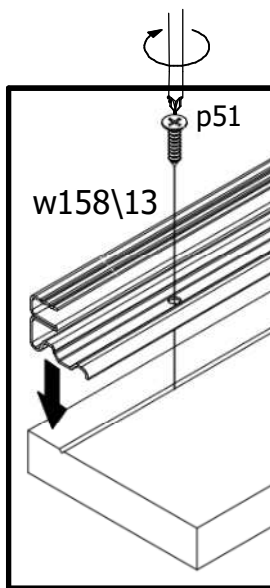
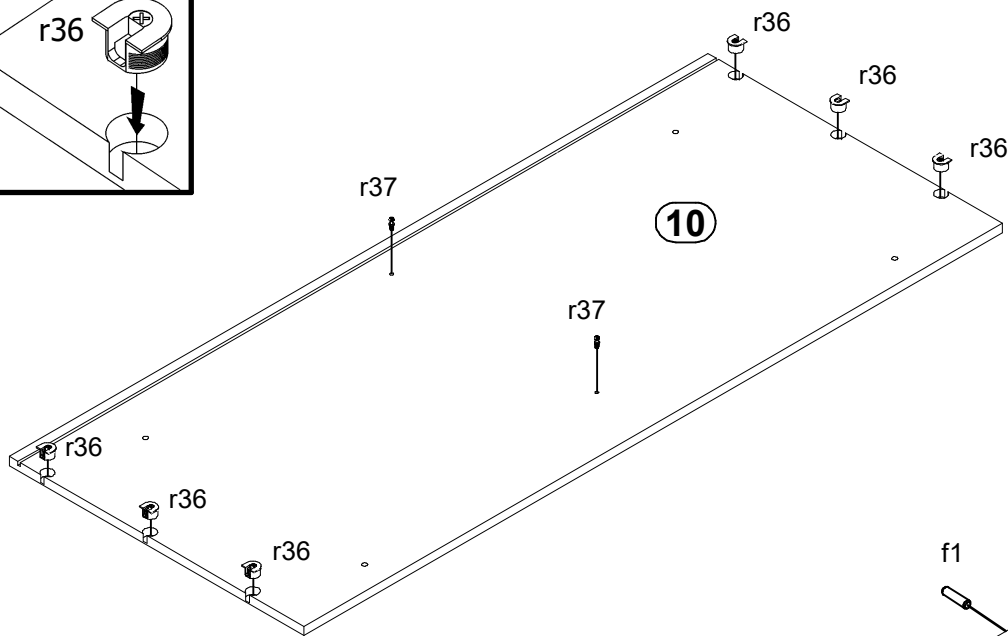
58-654

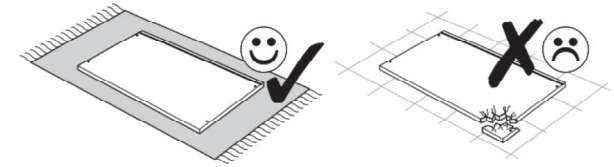
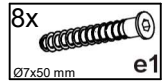
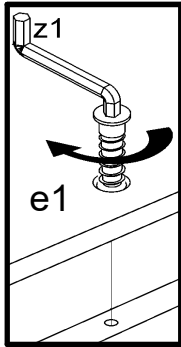
17 / 40



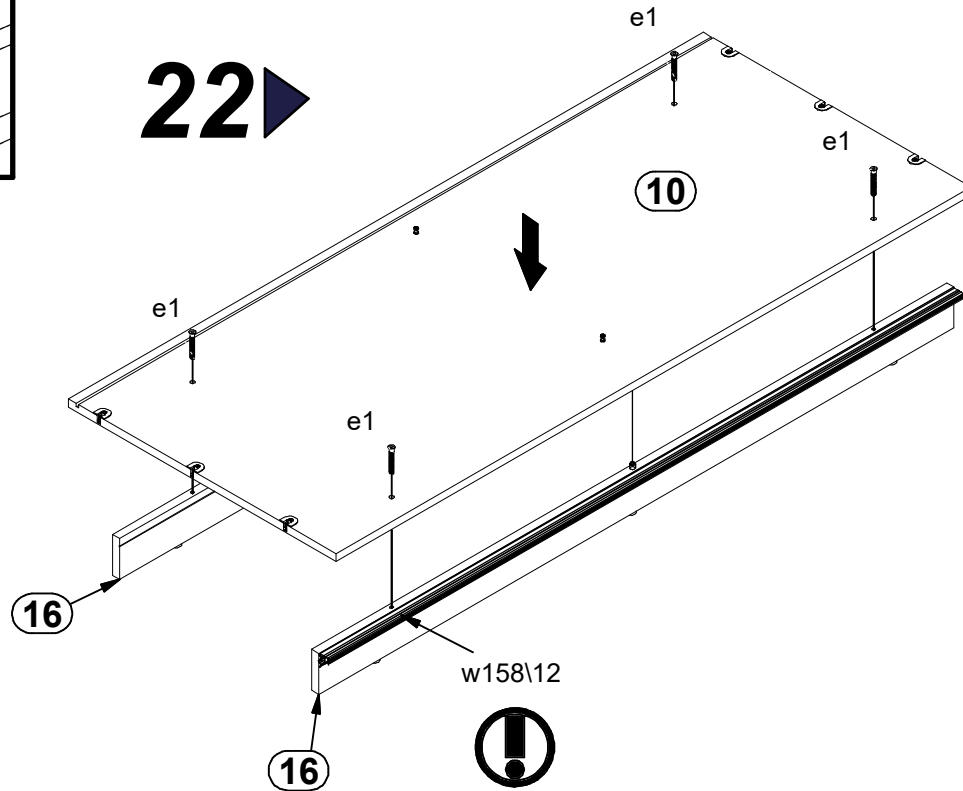
20

21

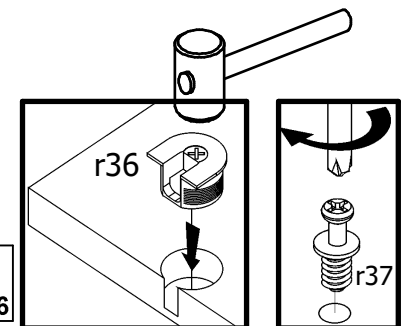
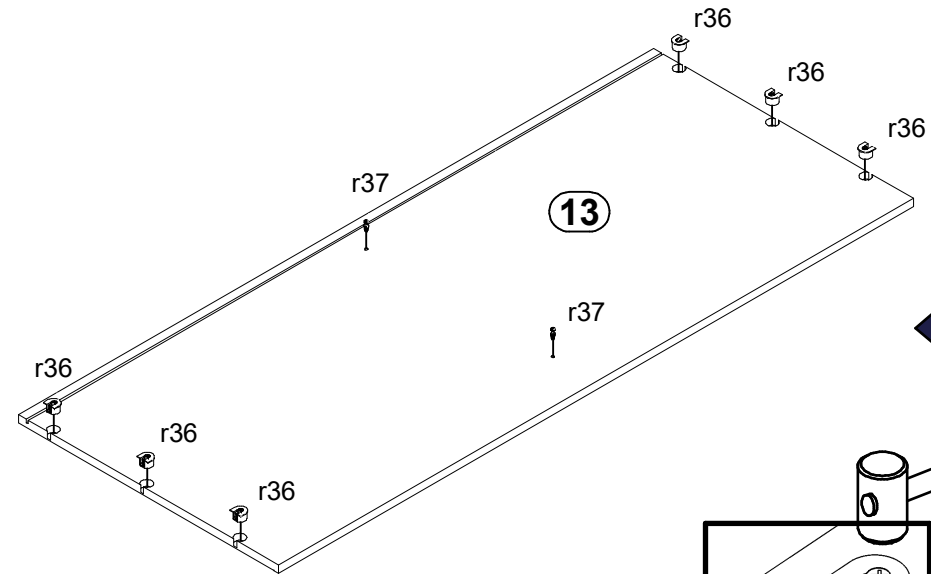


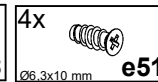
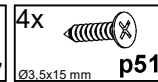
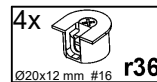
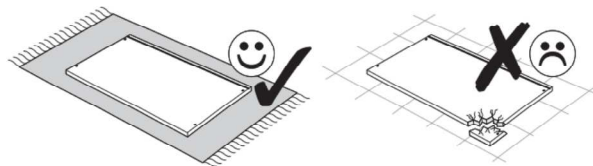


22

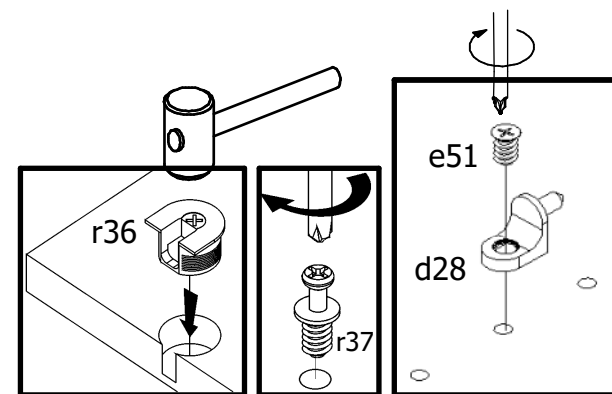
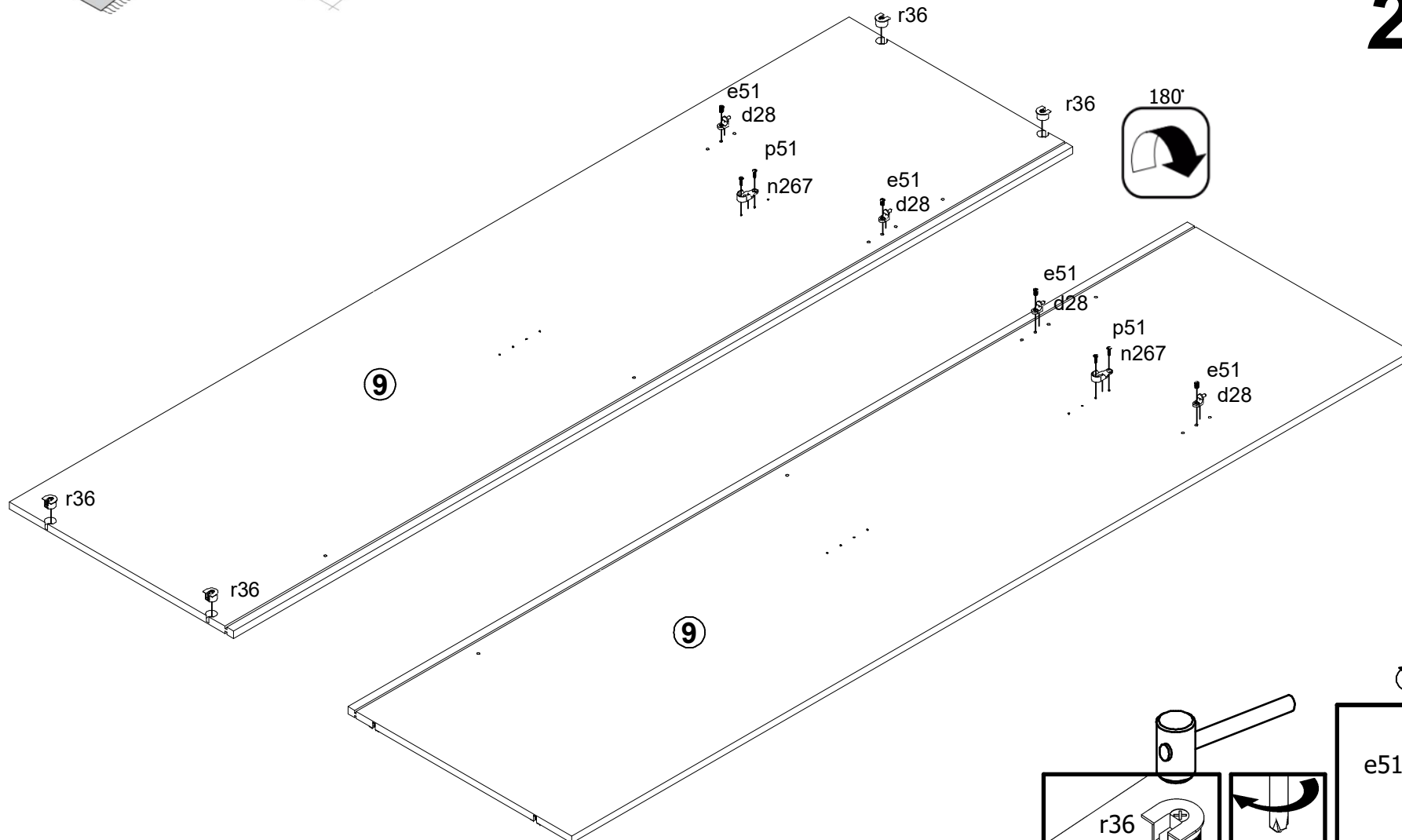


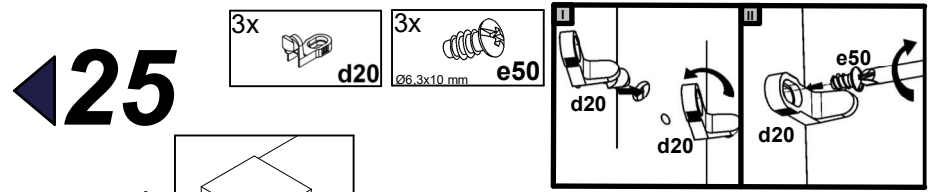
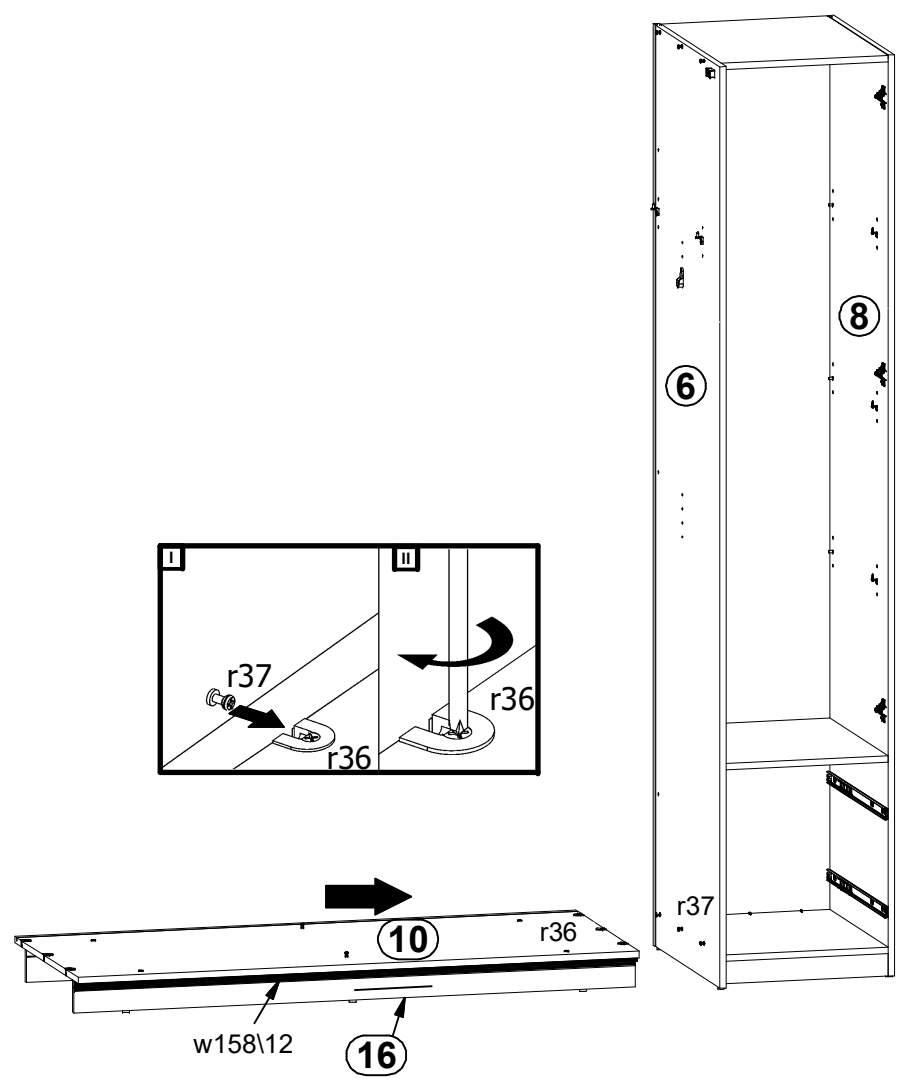
23



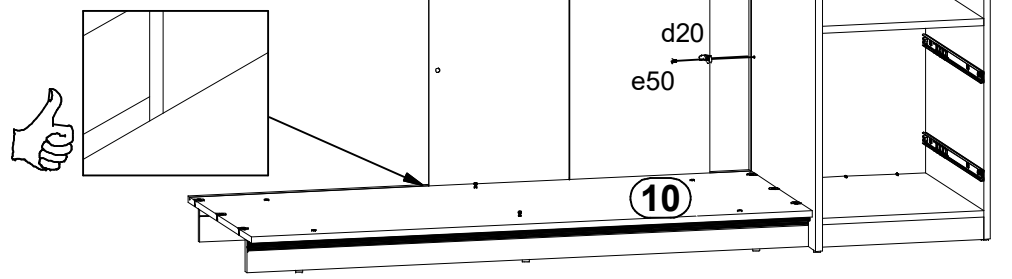


24





26

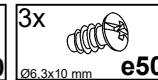


A

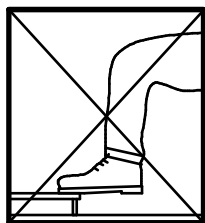
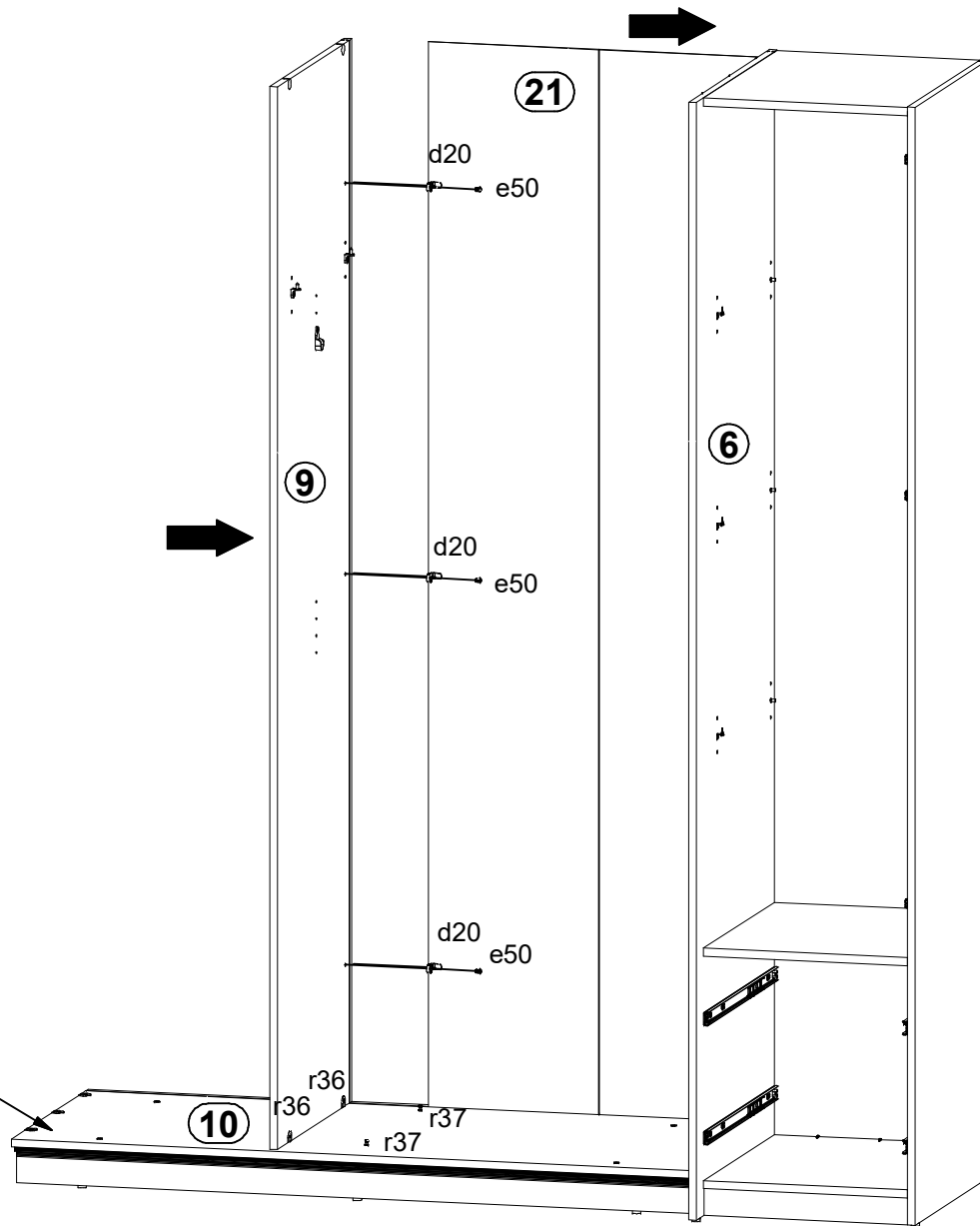
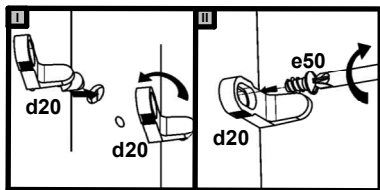
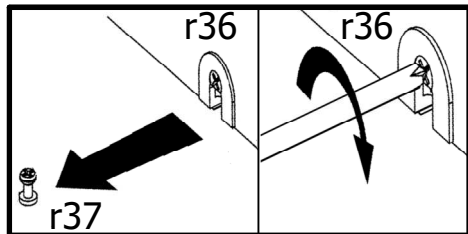
F89-SZF4D4S\_215

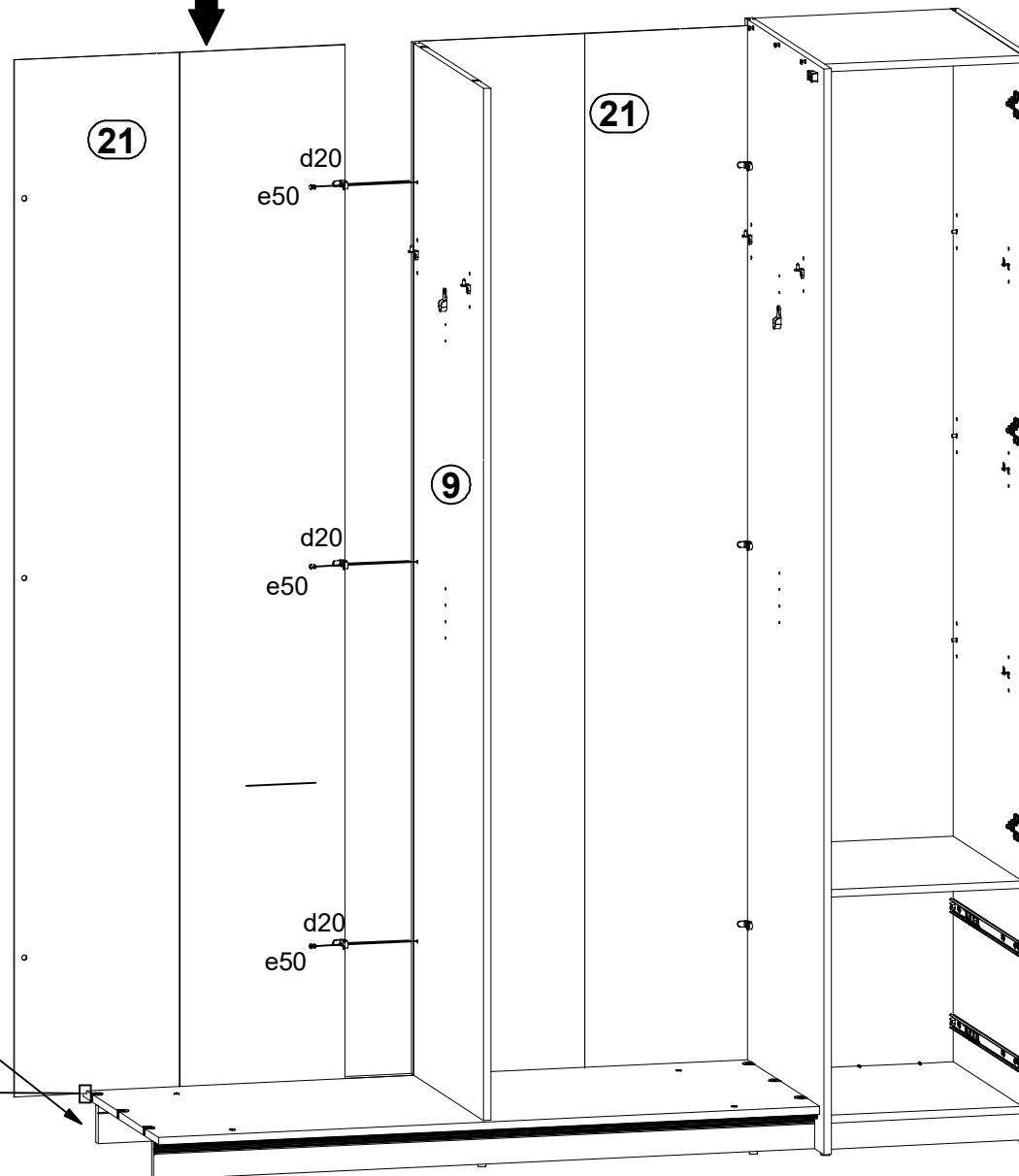
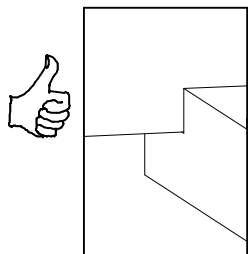
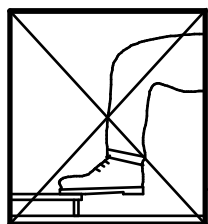
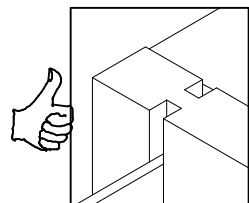
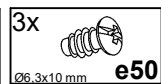
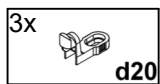
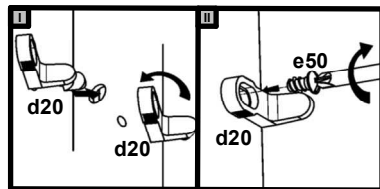
58-654

21 / 40



27







A

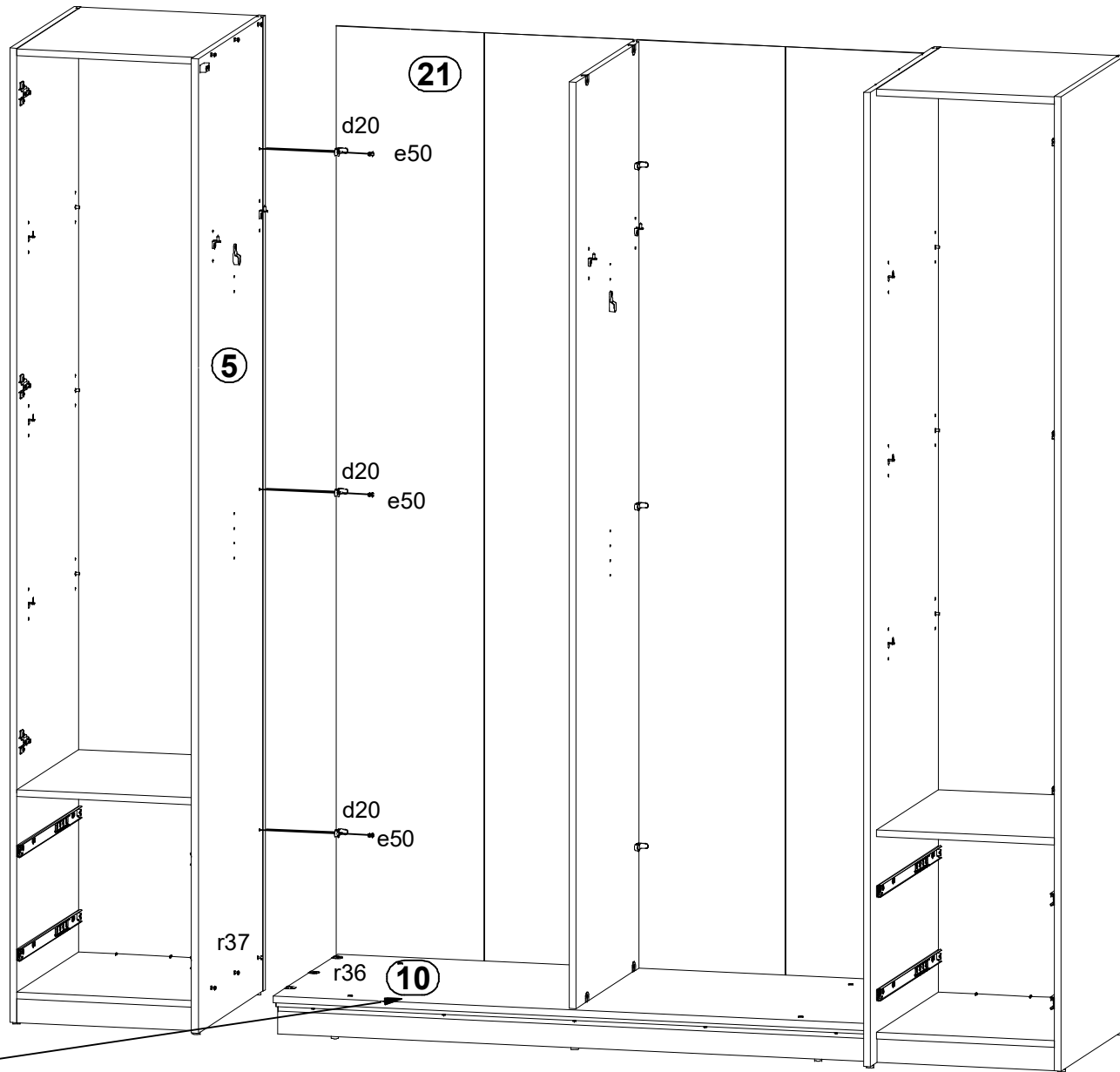
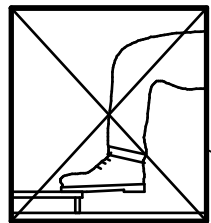
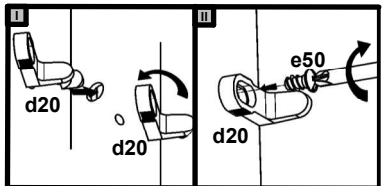
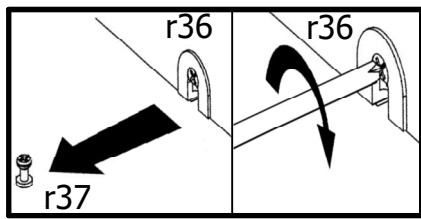
F89-SZF4D4S\_215

58-654

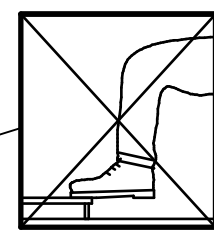
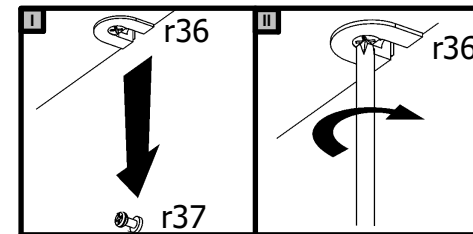
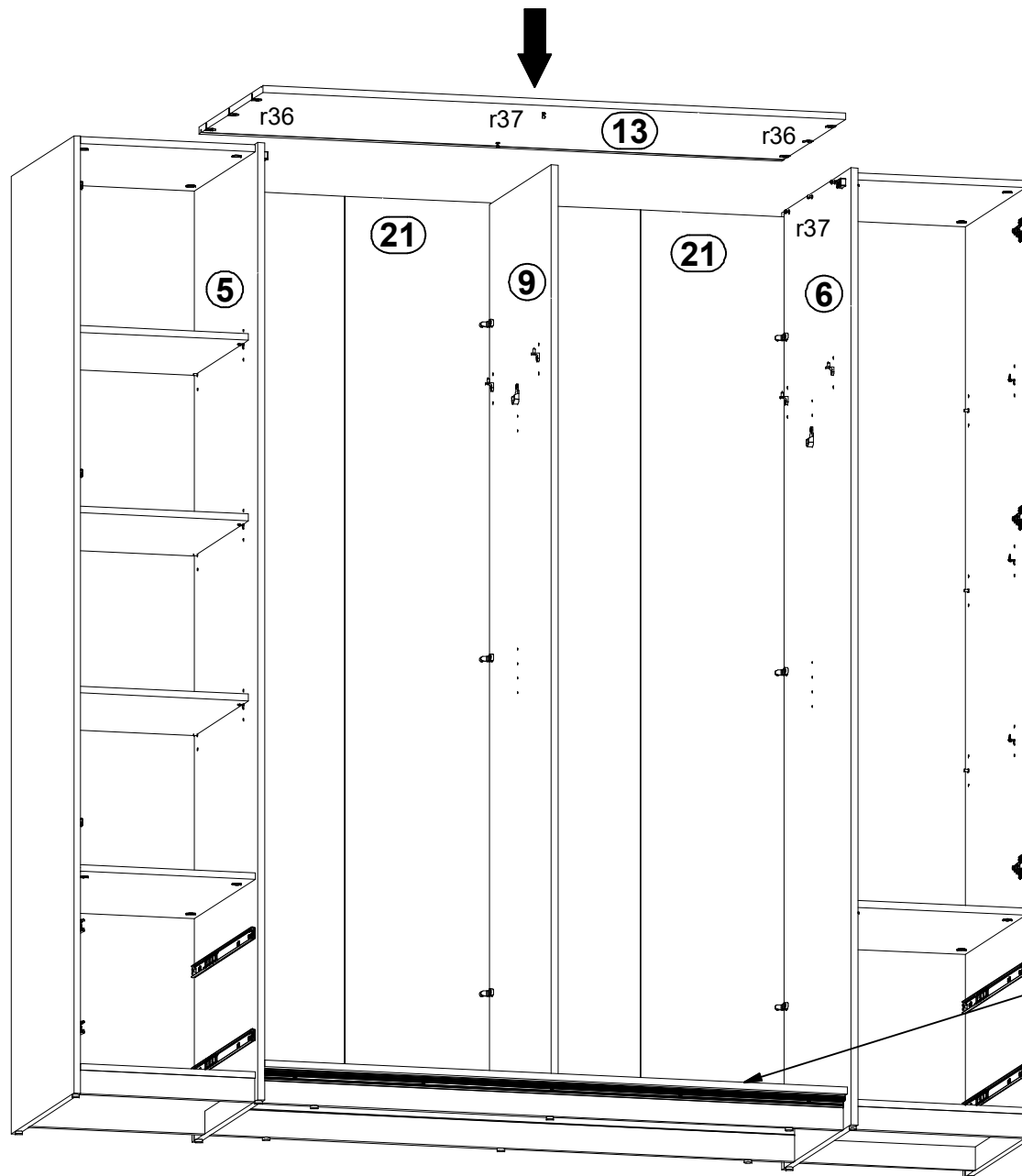
23 / 40

29

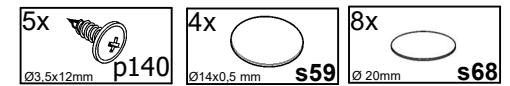
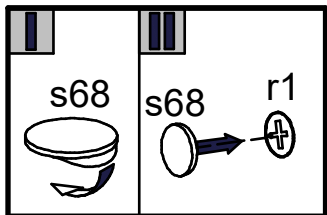
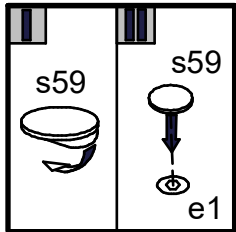
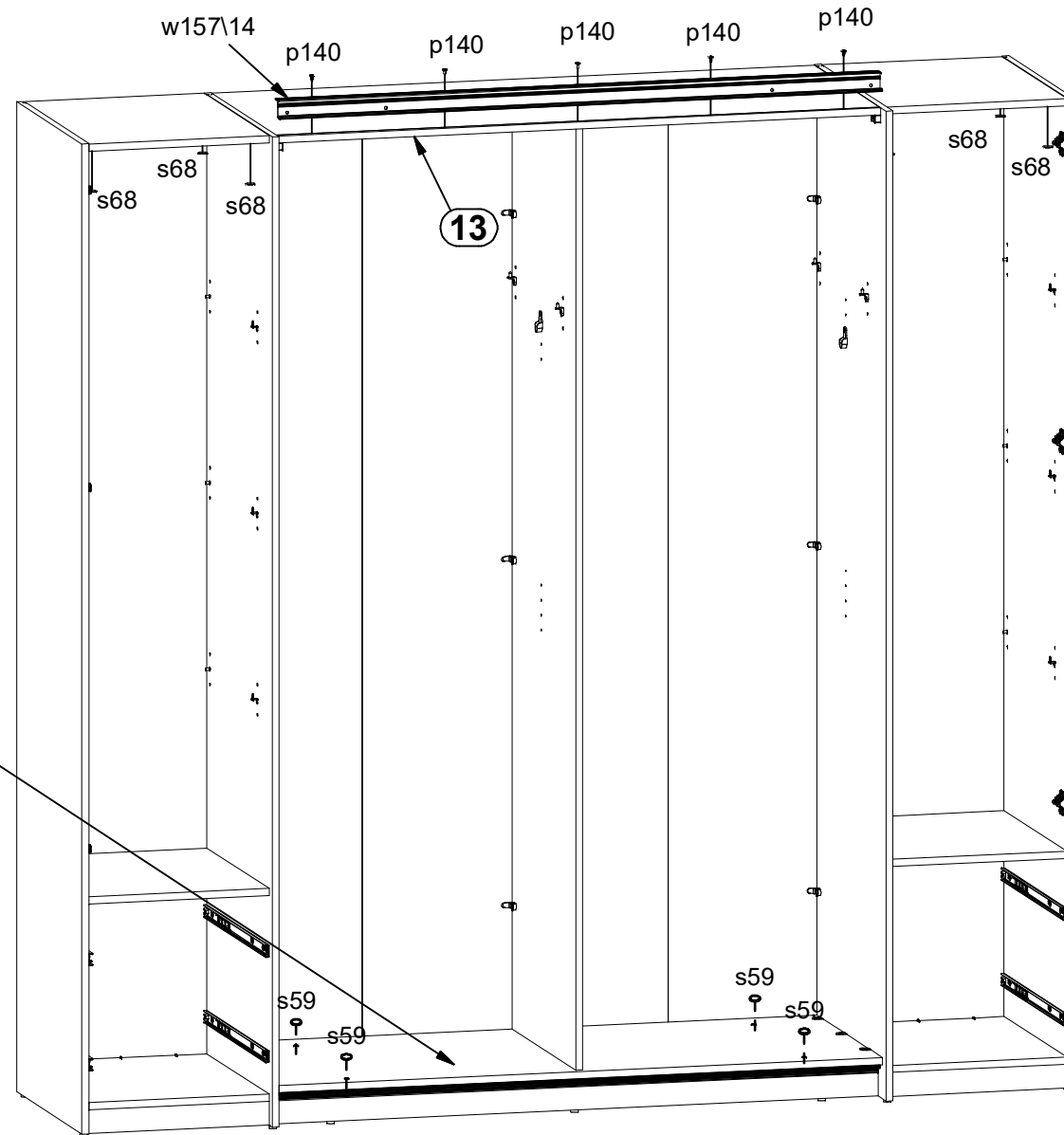
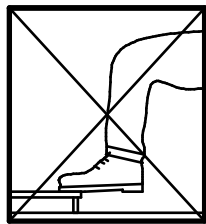
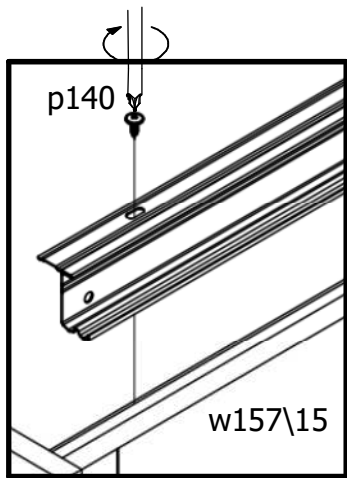
3x		d20
3x		Ø6,3x10 mm e50

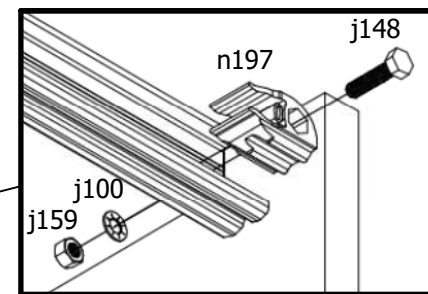
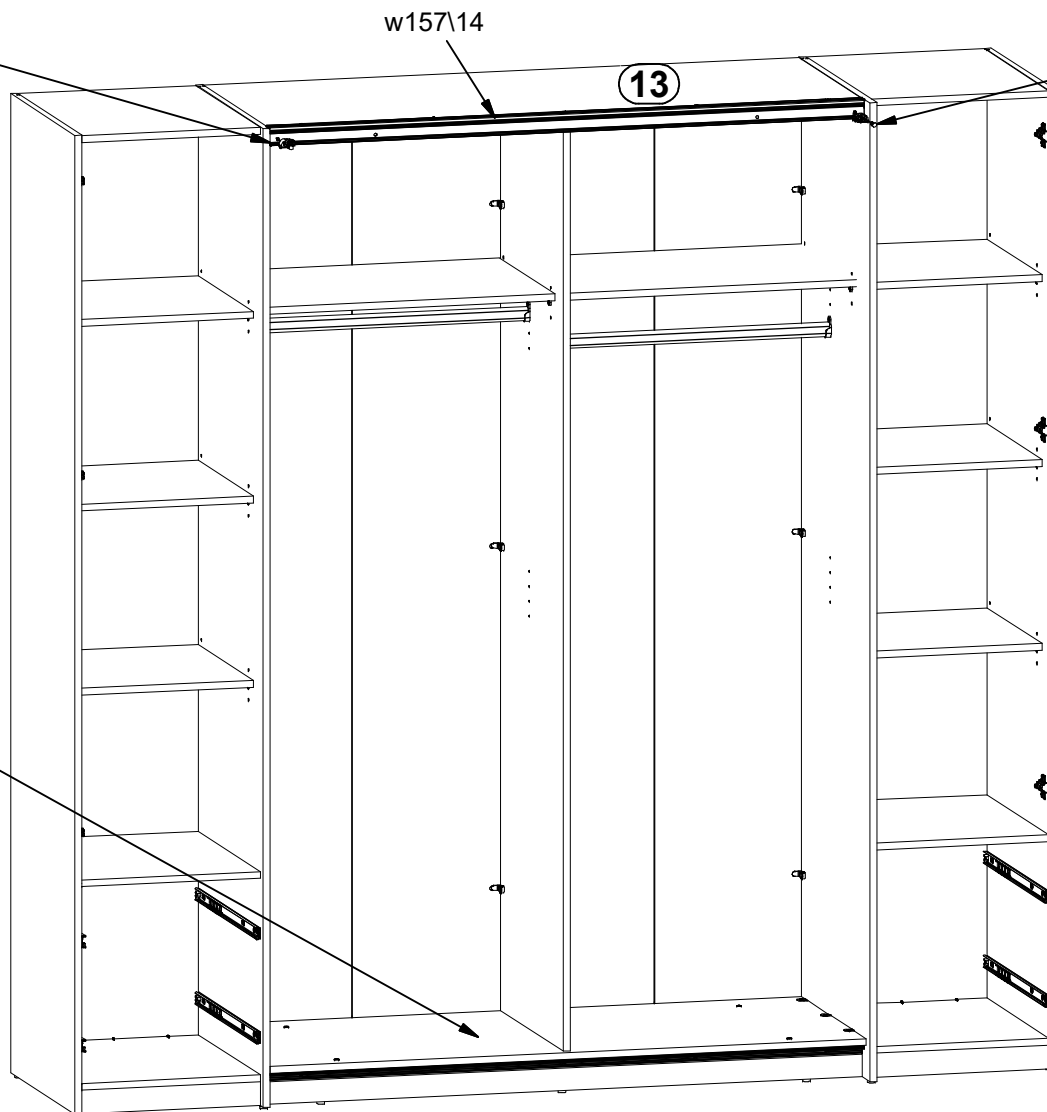
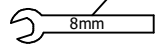
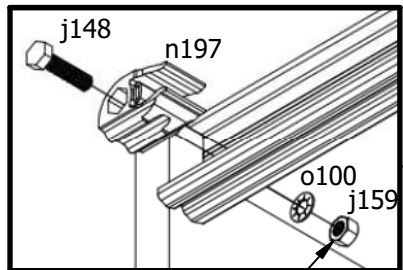


30

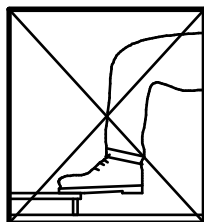








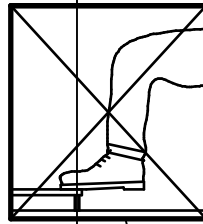
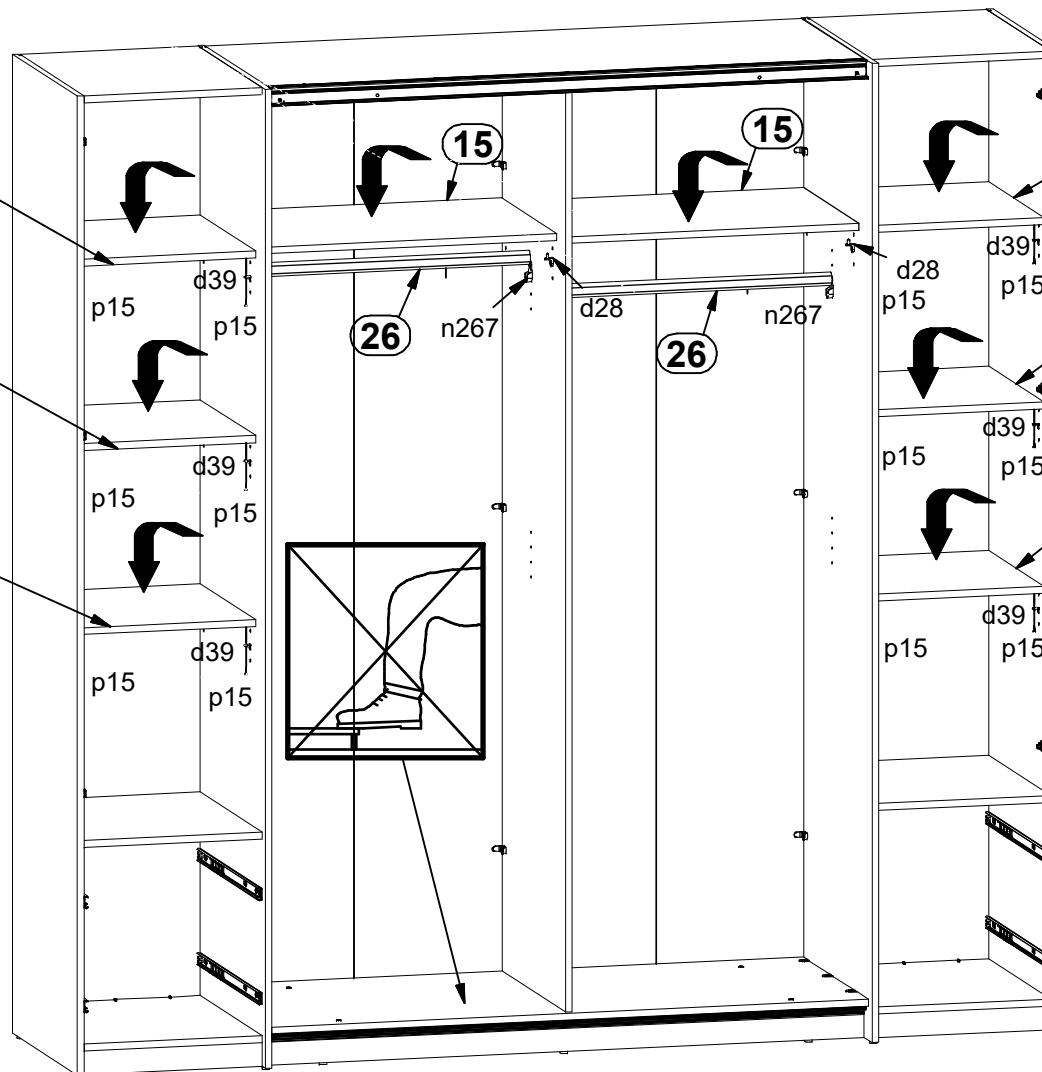
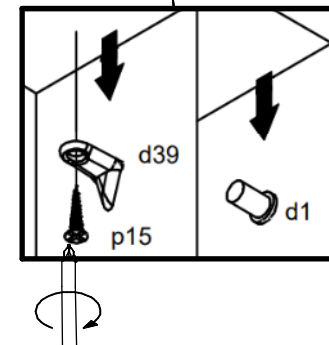
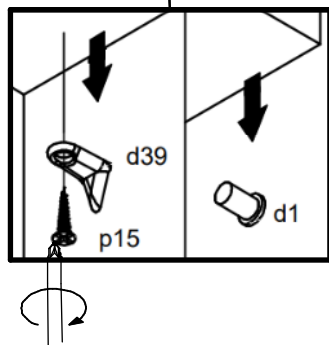
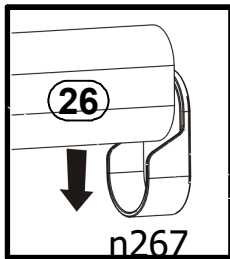
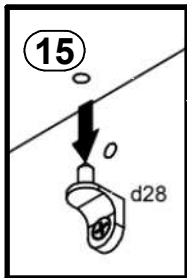




32



- 2x   
o100
- 2x   
n197
- 2x   
M5x20 mm j148
- 2x   
M5 j159



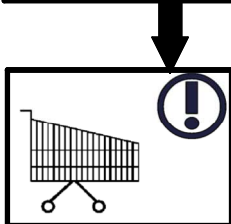
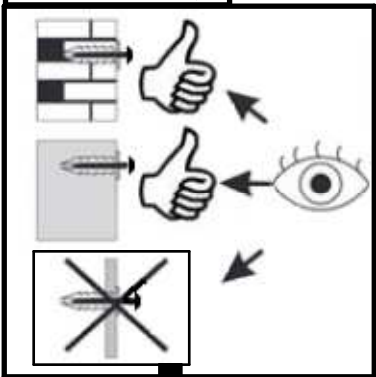
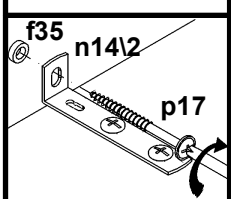
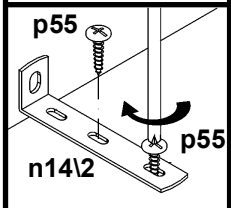
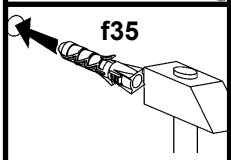
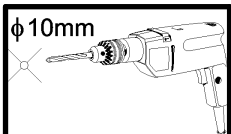
12x **p15**  
Ø2,5x13 mm

A

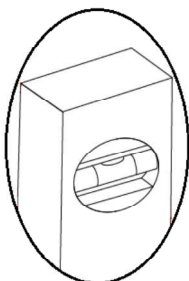
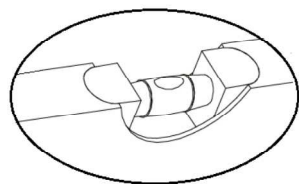
F89-SZF4D4S\_215

58-654

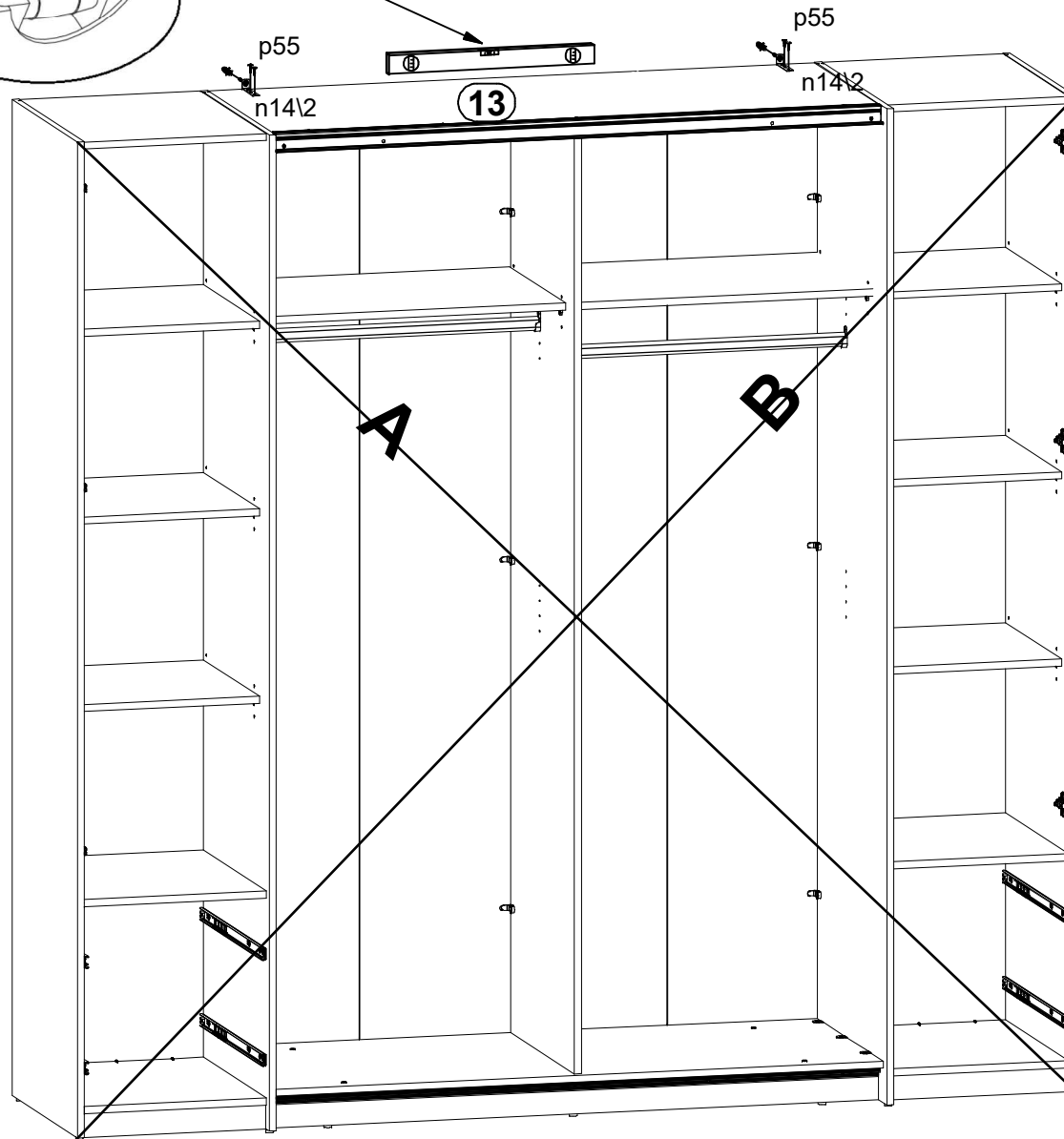
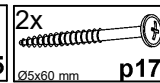
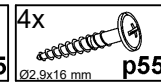
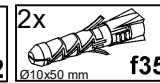
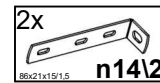
28 / 40

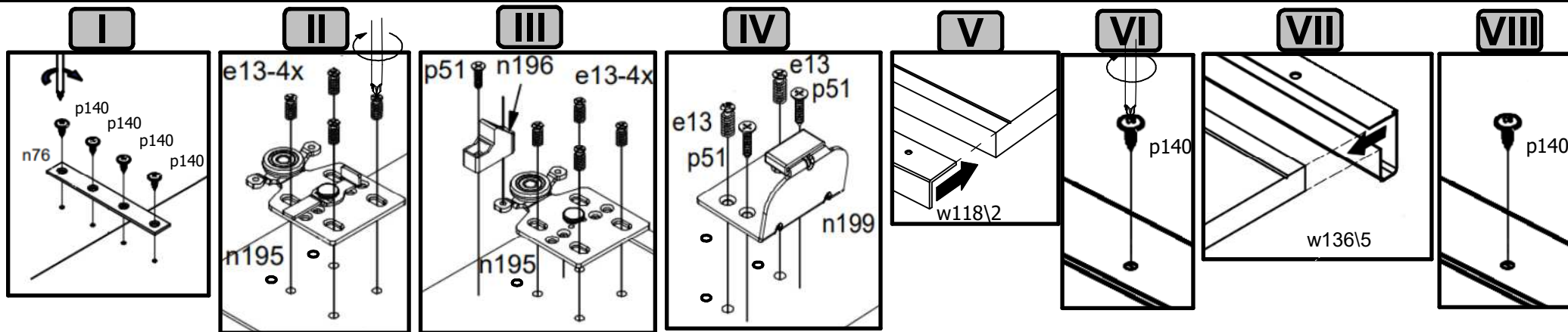


⚠  
A=B

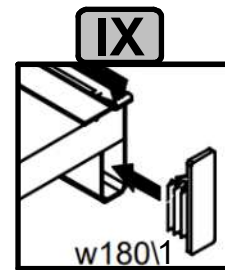
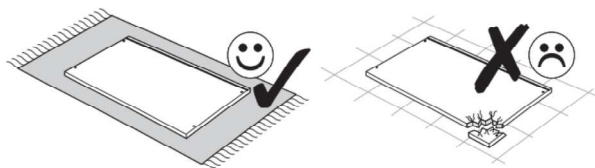
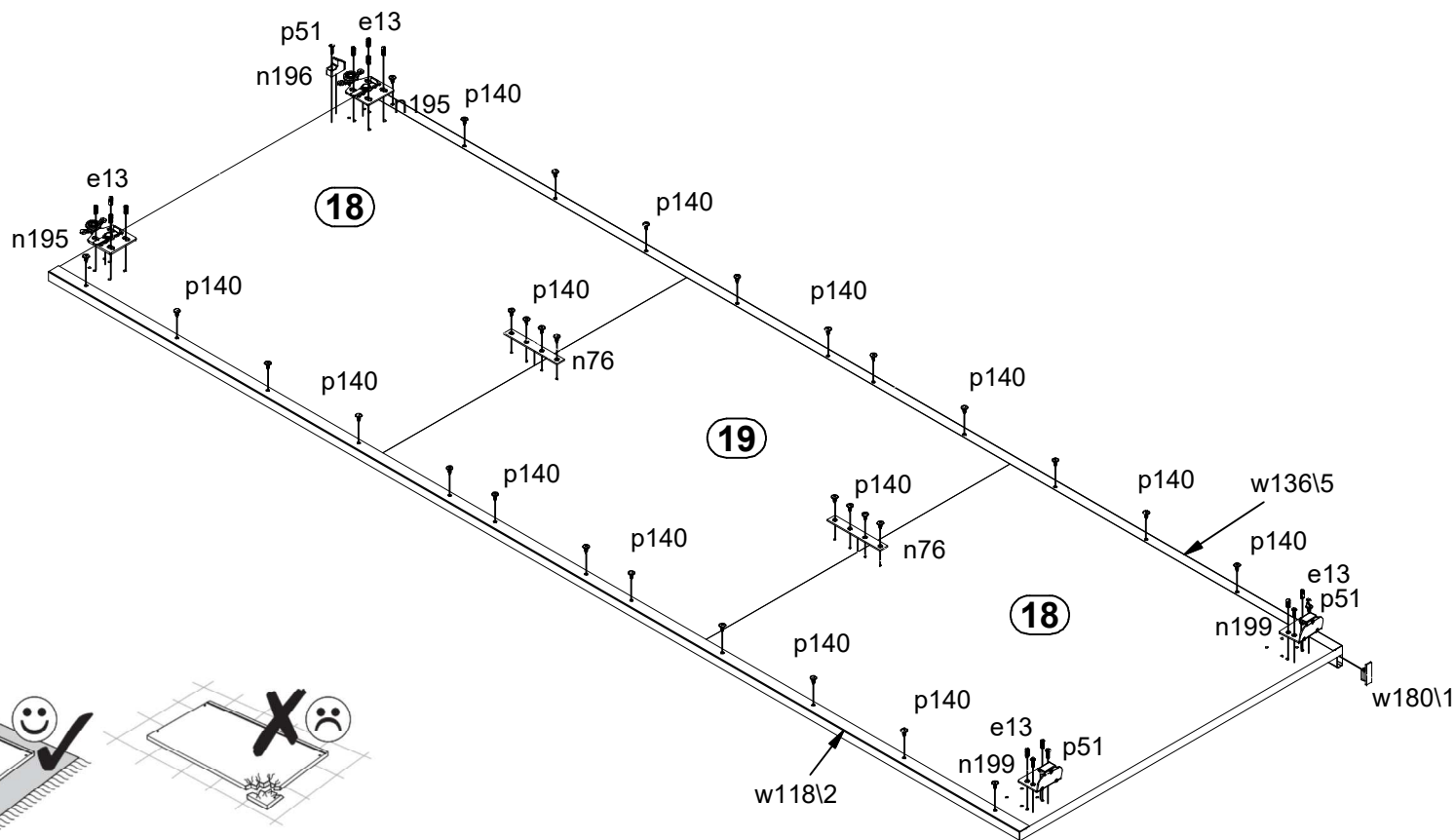



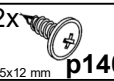



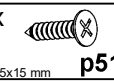
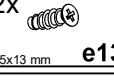

34





35



- 2x  n76
- 32x  p140  
Ø3,5x12 mm
- 2x  n195
- 1x  n196
- 2x  n199
- 5x  p51  
Ø3,5x15 mm
- 12x  e13  
Ø5,5x13 mm
- 1x  w180\1

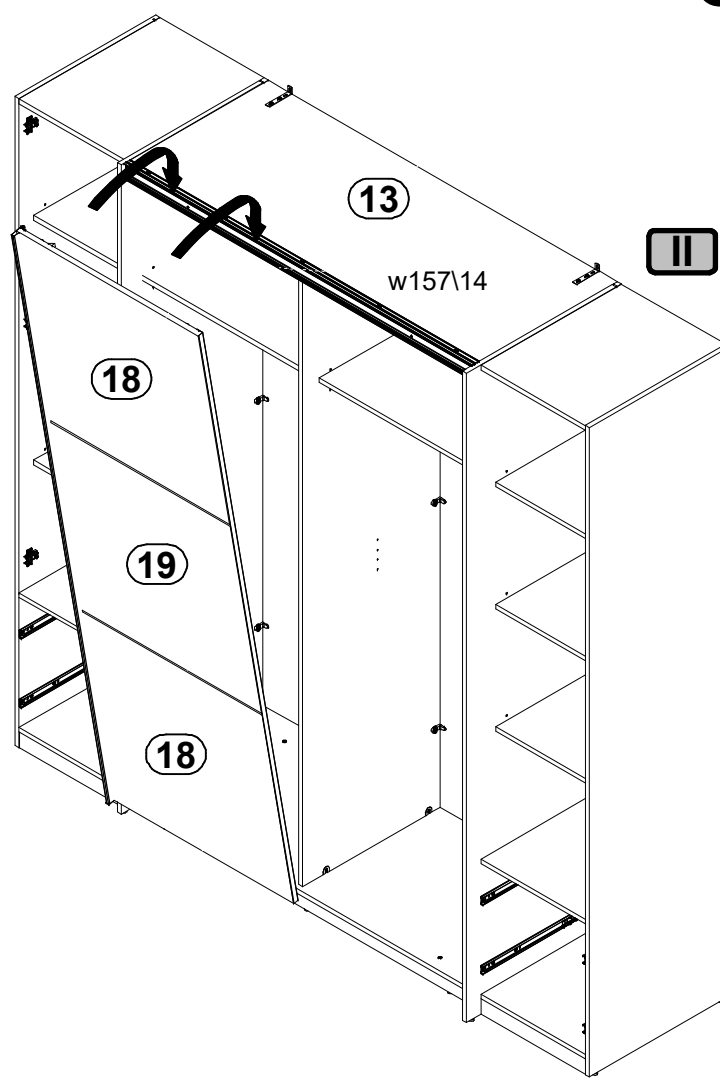
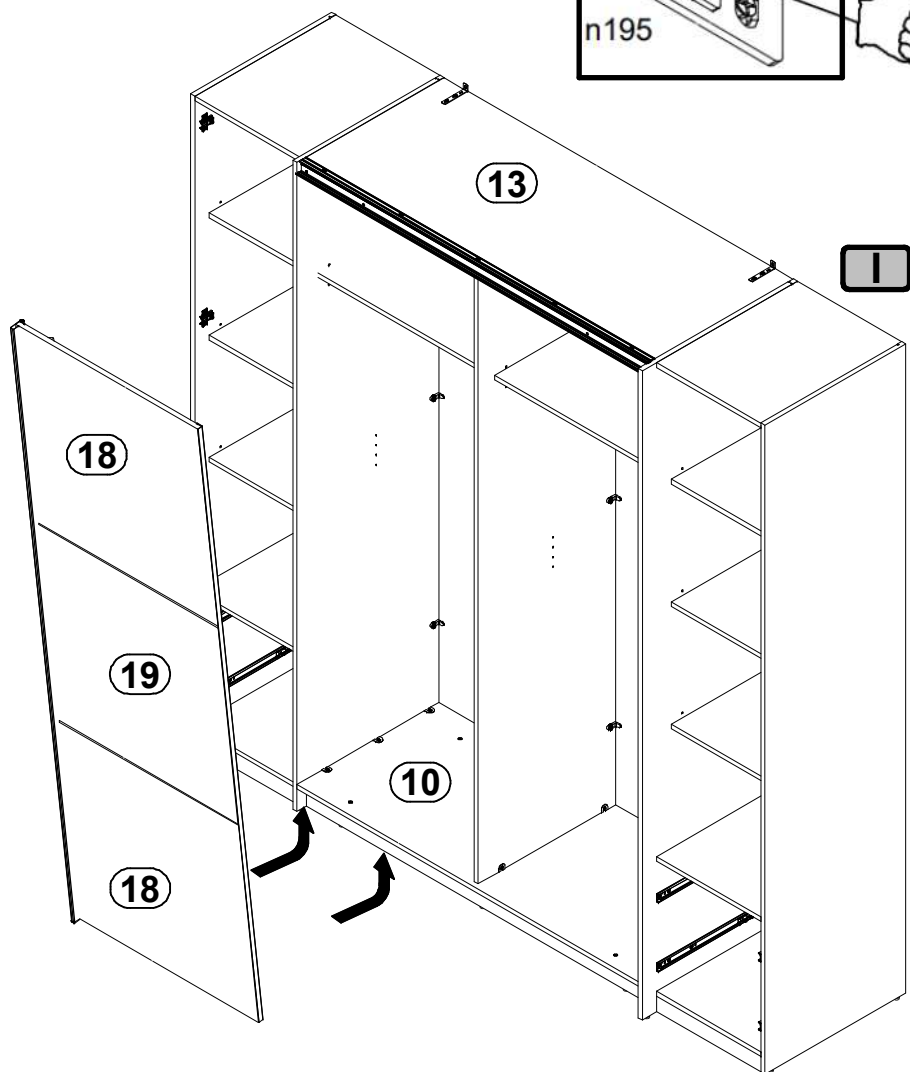
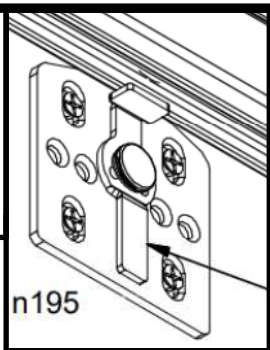
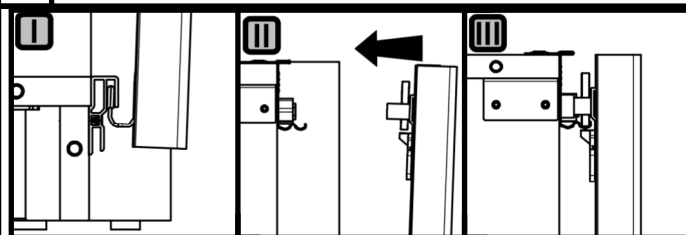
A

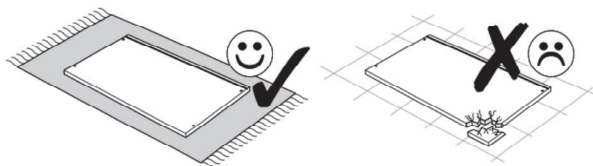
F89-SZF4D4S\_215

58-654

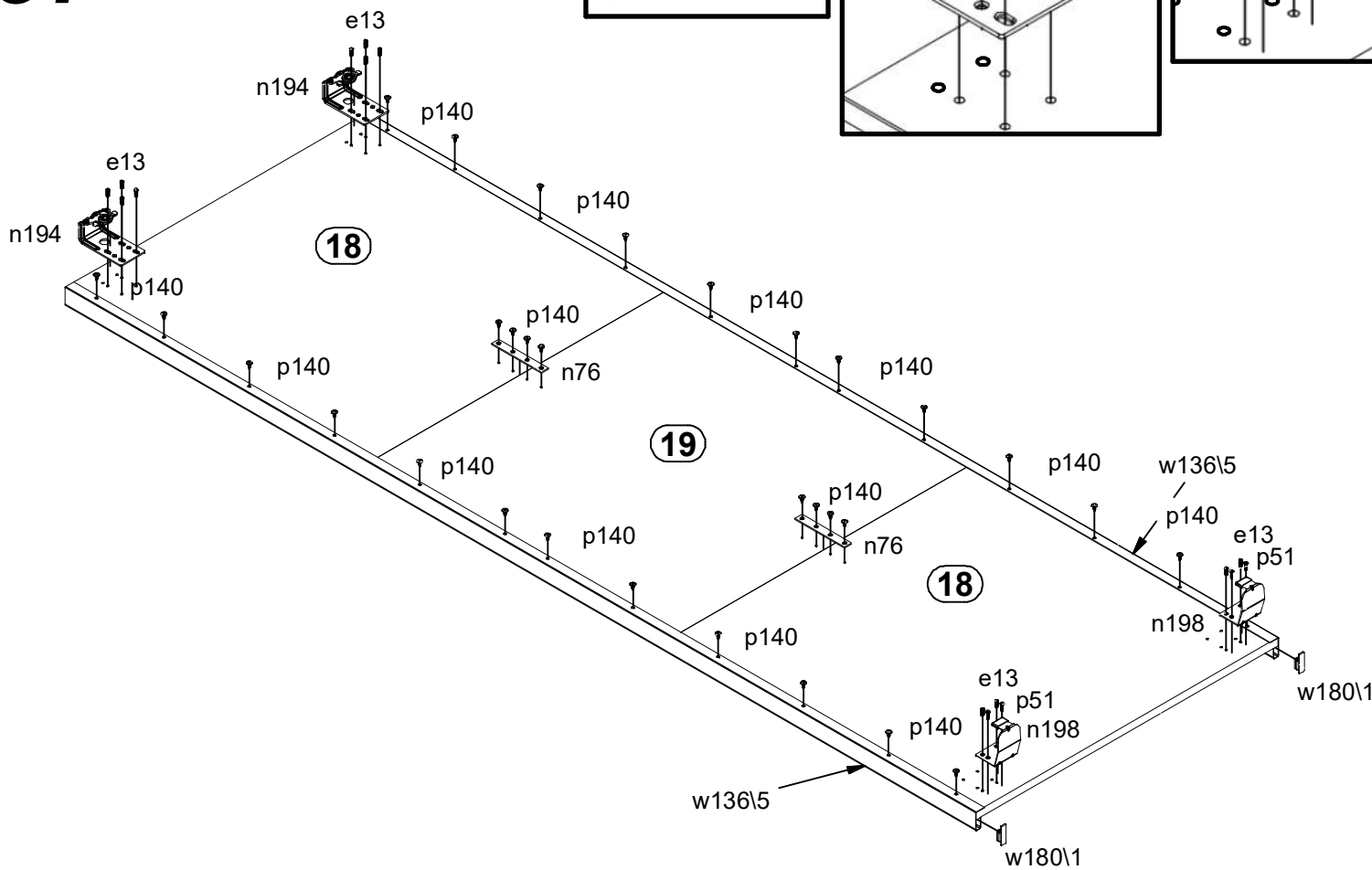
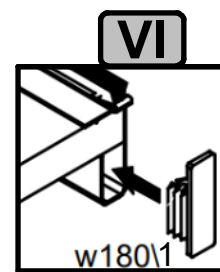
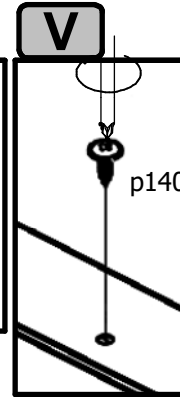
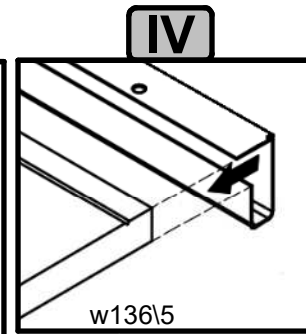
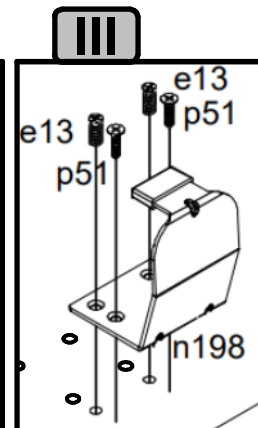
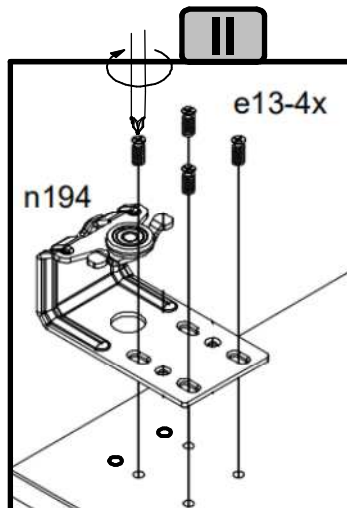
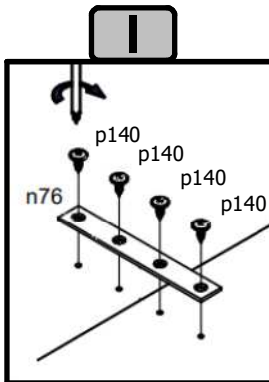
30 / 40

36



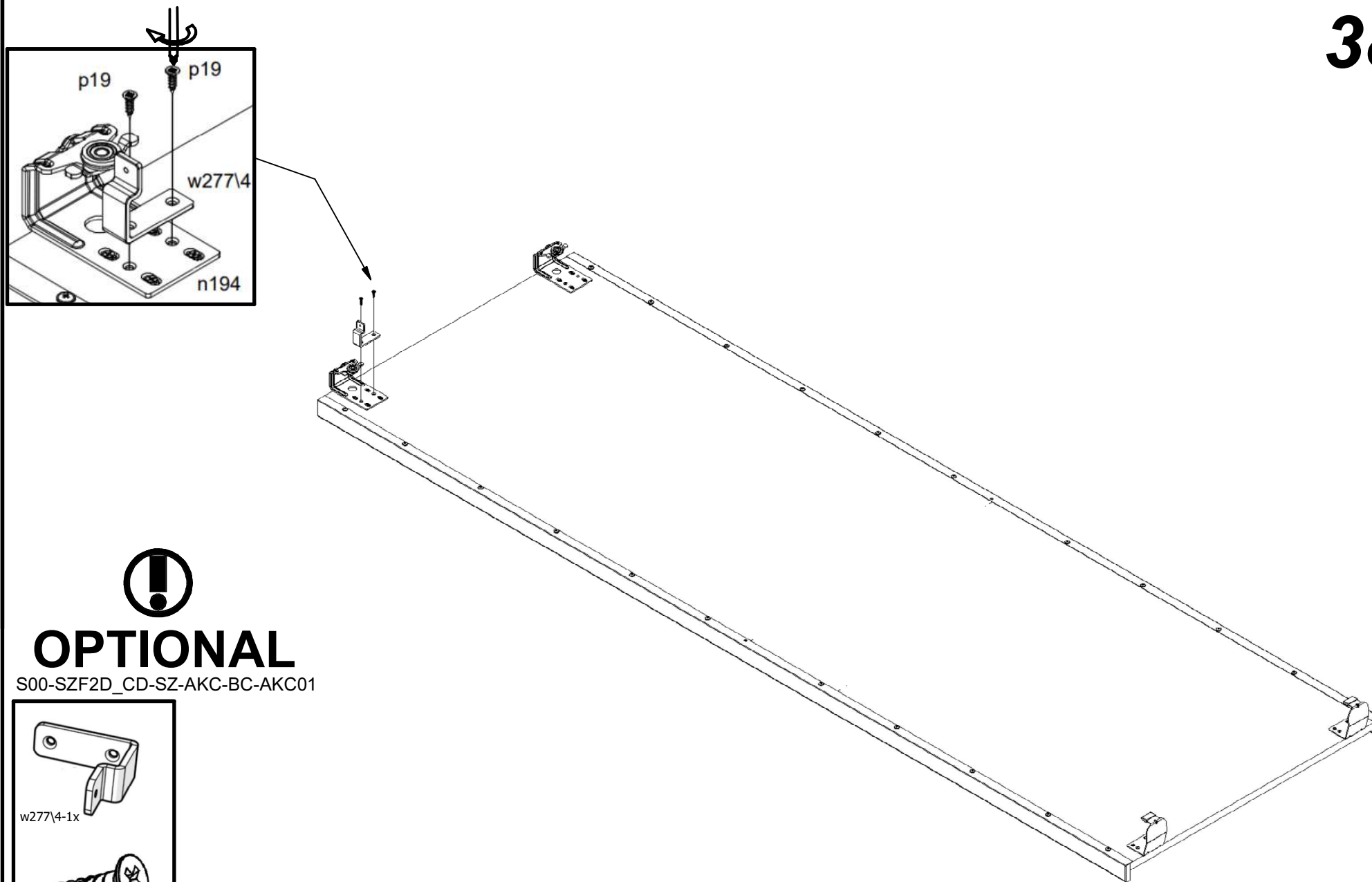


37



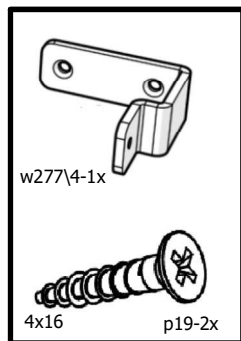
- 2x n76
- 32x p140  
Ø3,5x12 mm
- 2x n194
- 2x n198
- 4x p51  
Ø3,5x15 mm
- 12x e13  
Ø5,5x13 mm
- 2x w180\1

# 38

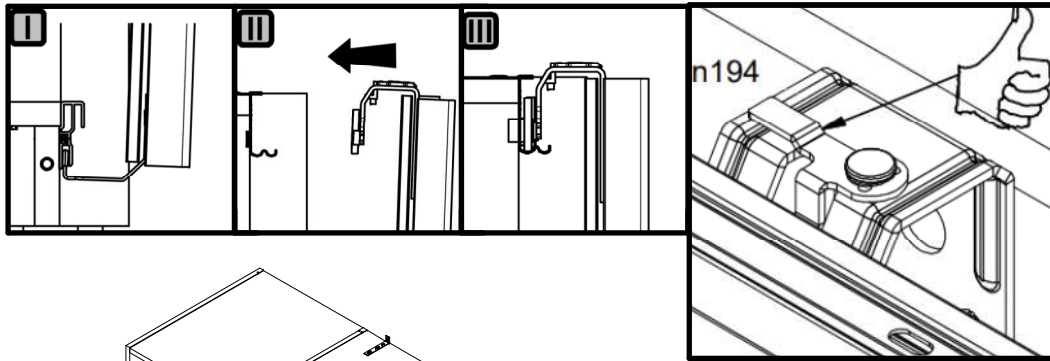


## OPTIONAL

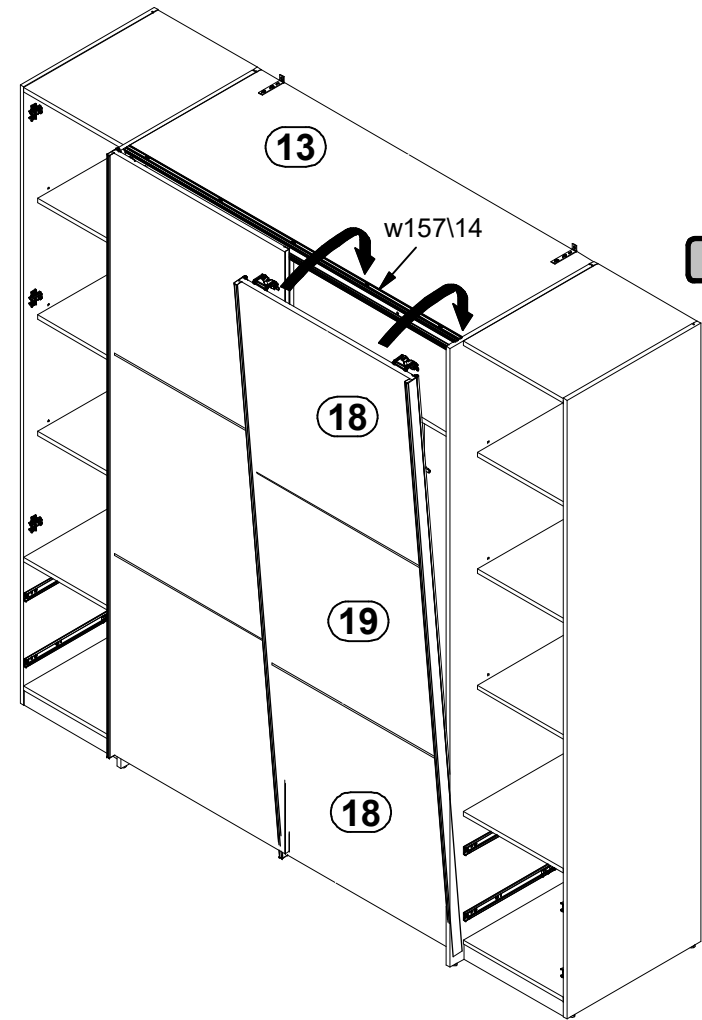
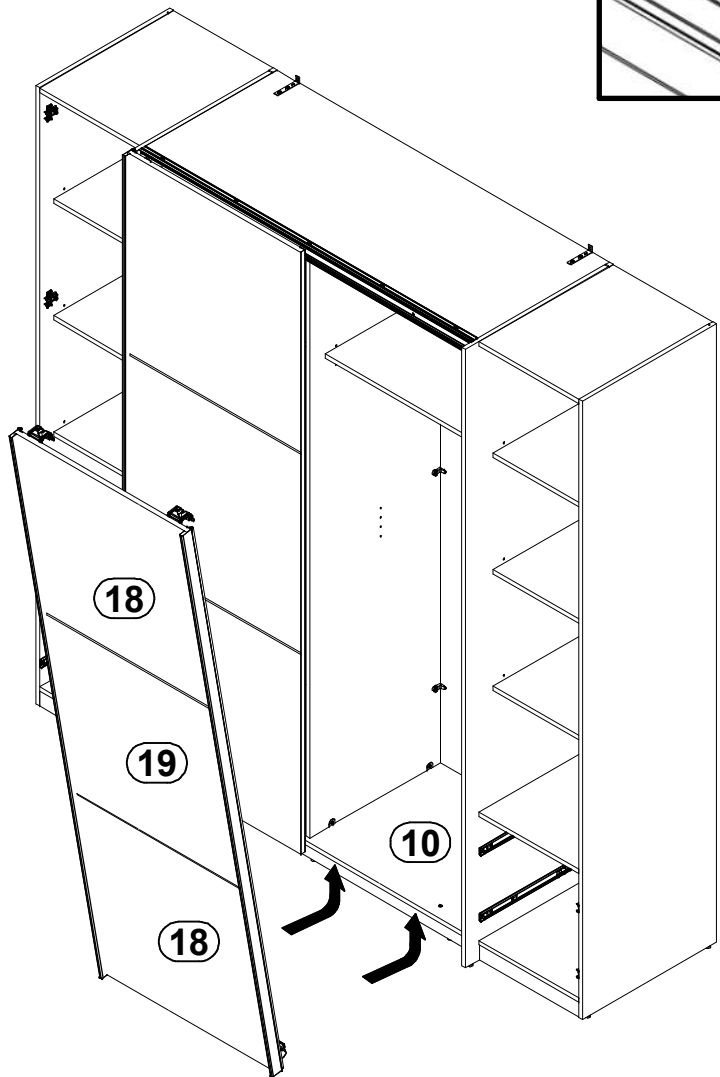
S00-SZF2D\_CD-SZ-AKC-BC-AKC01

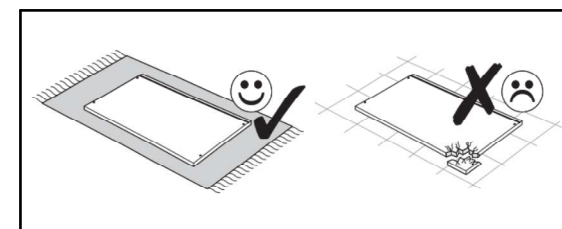
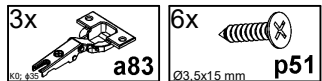




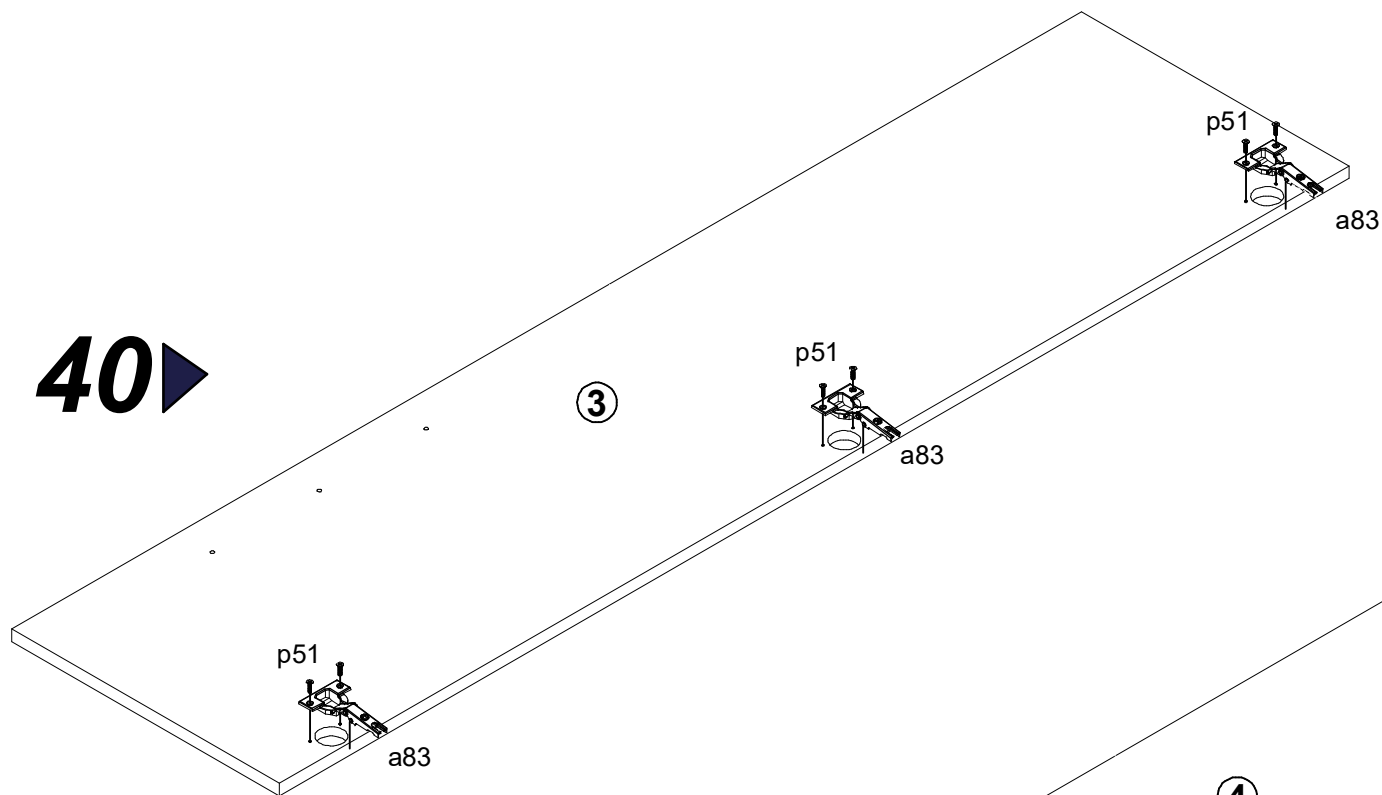


# 39

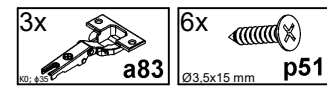
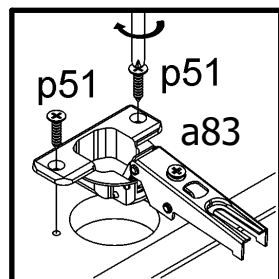
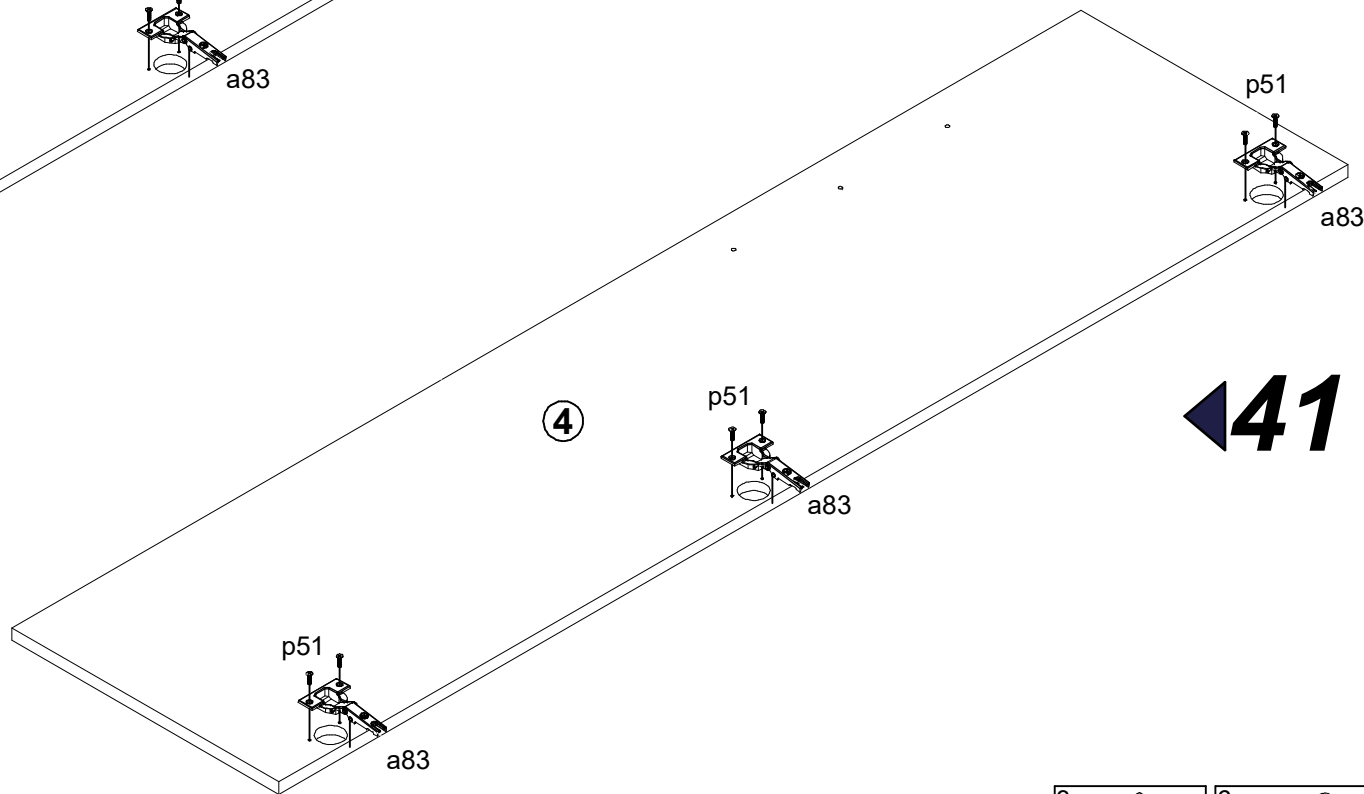




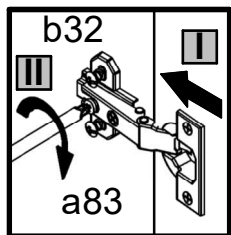
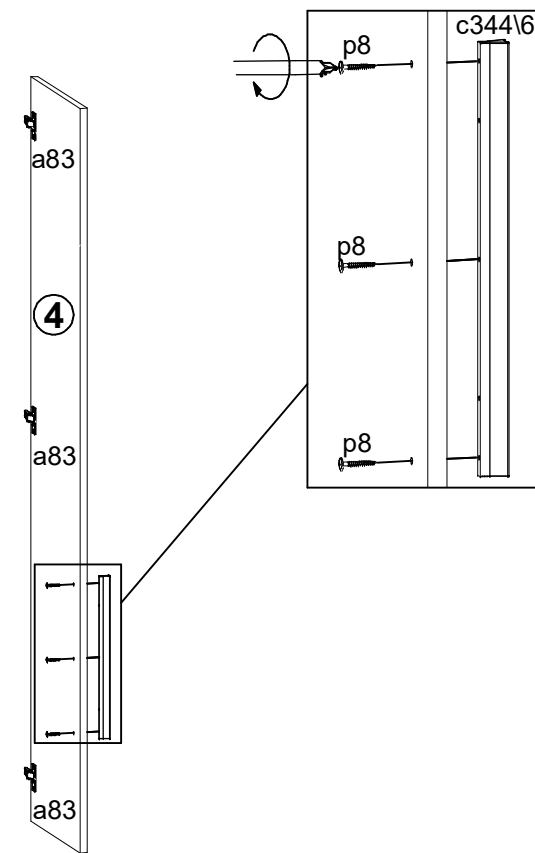
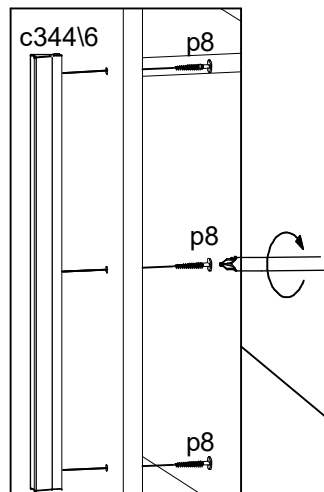
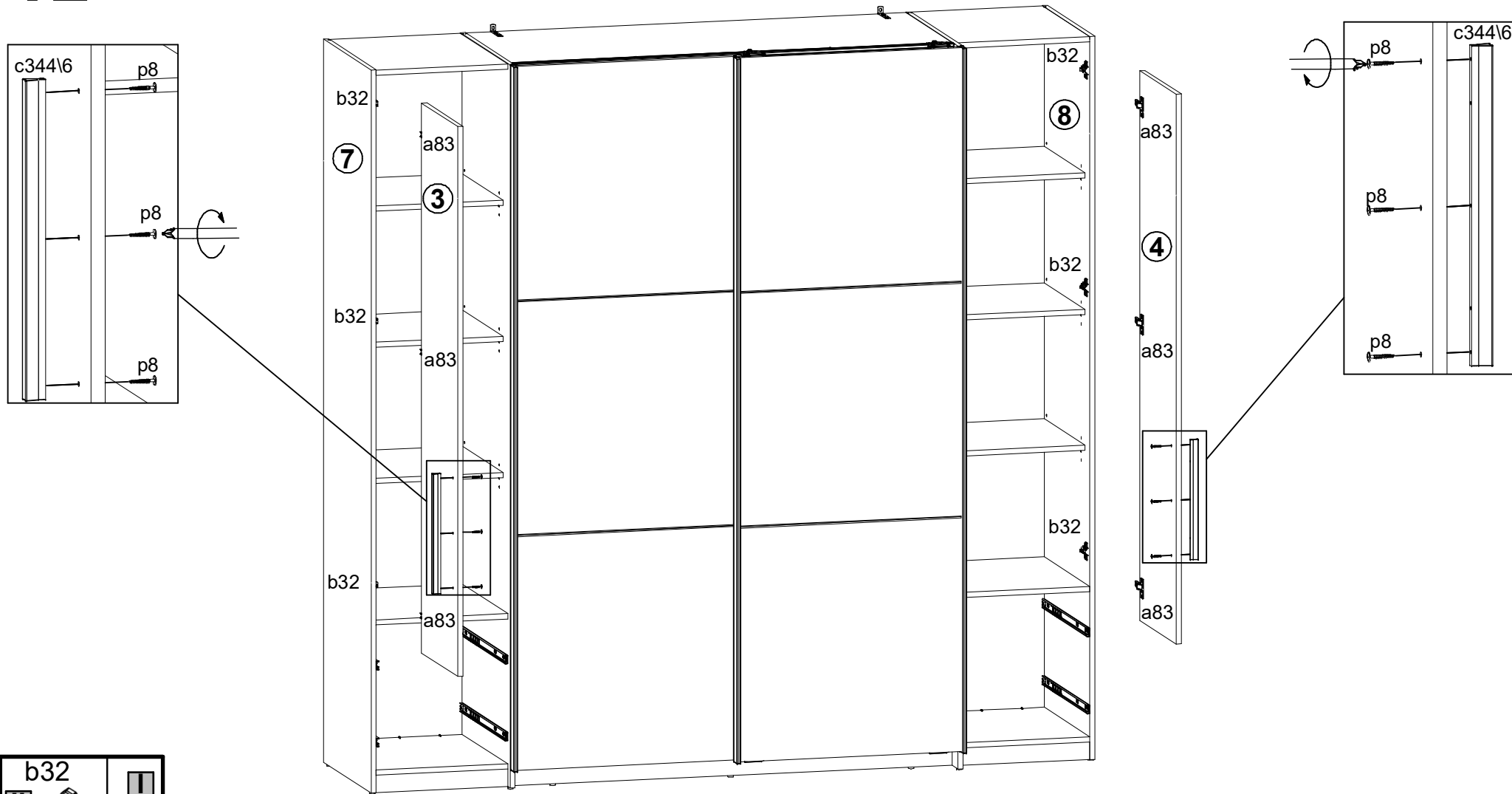
40 ▶





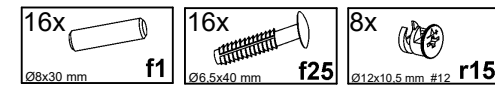
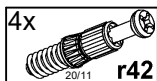
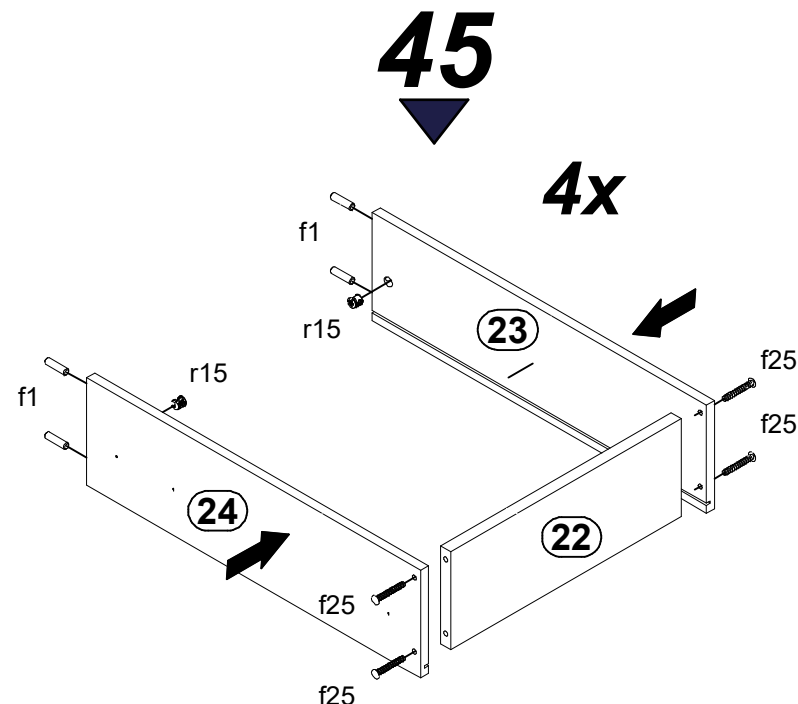
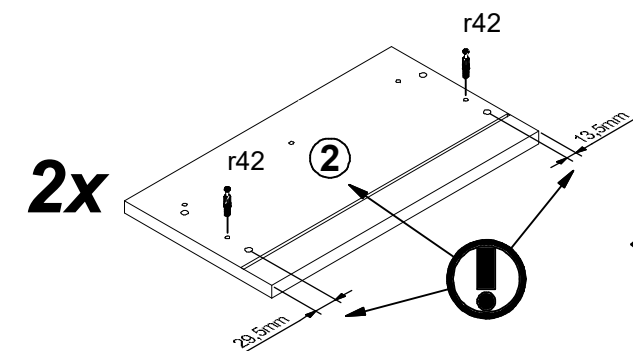
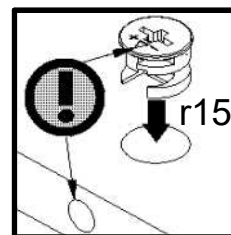
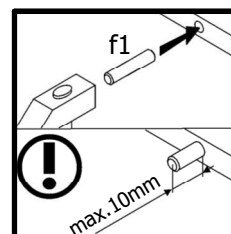
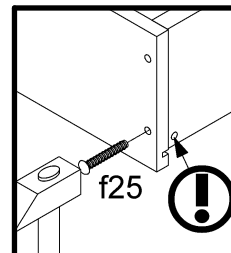
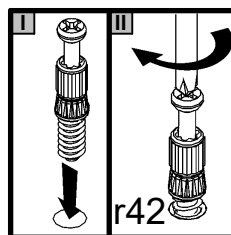
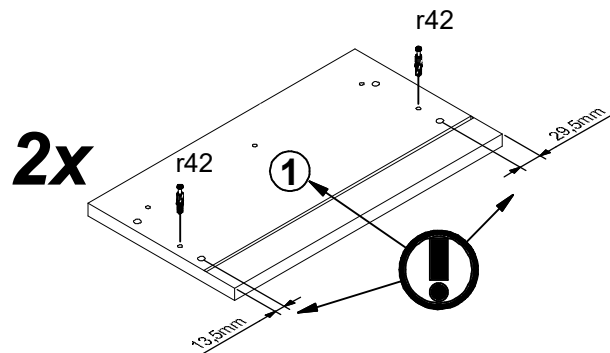
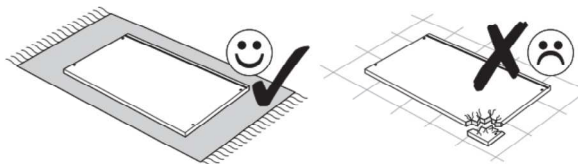
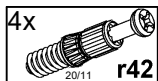
◀ 41

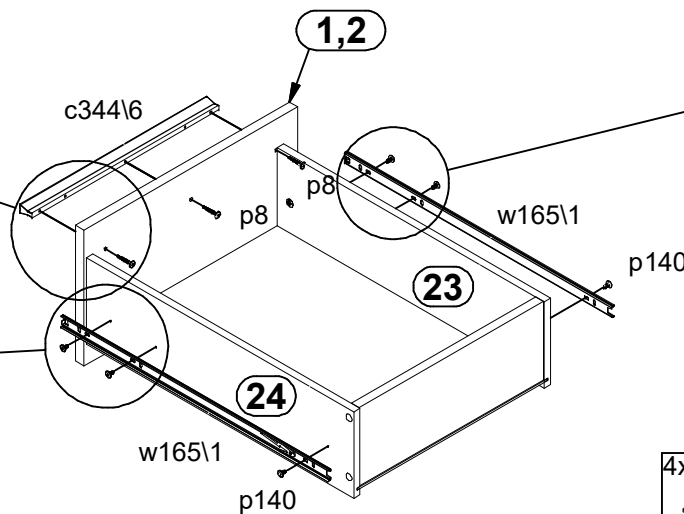
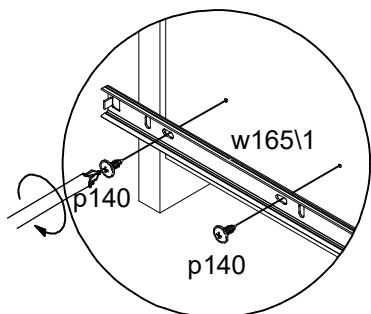
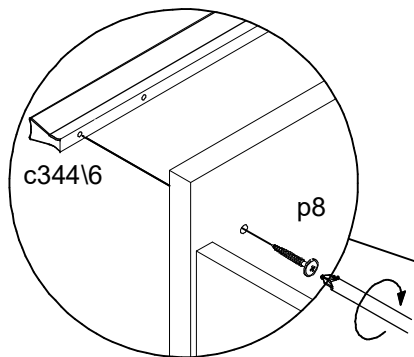
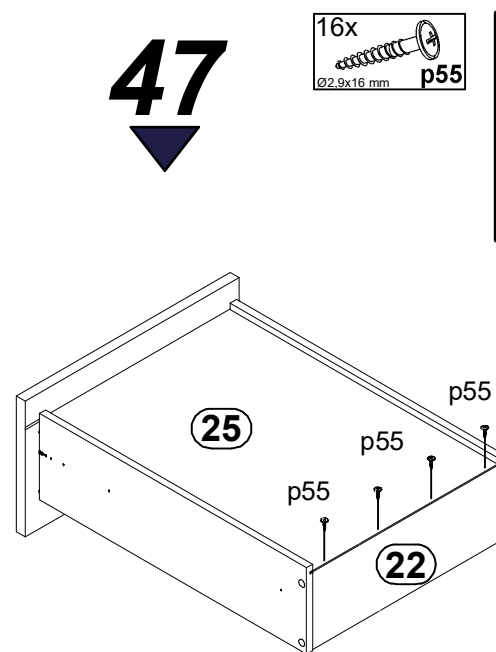
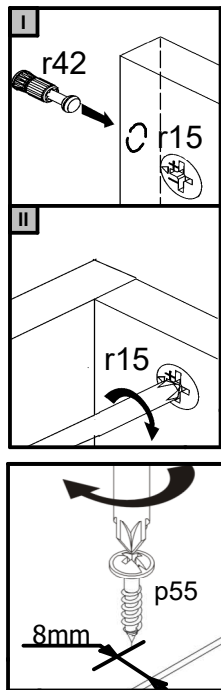
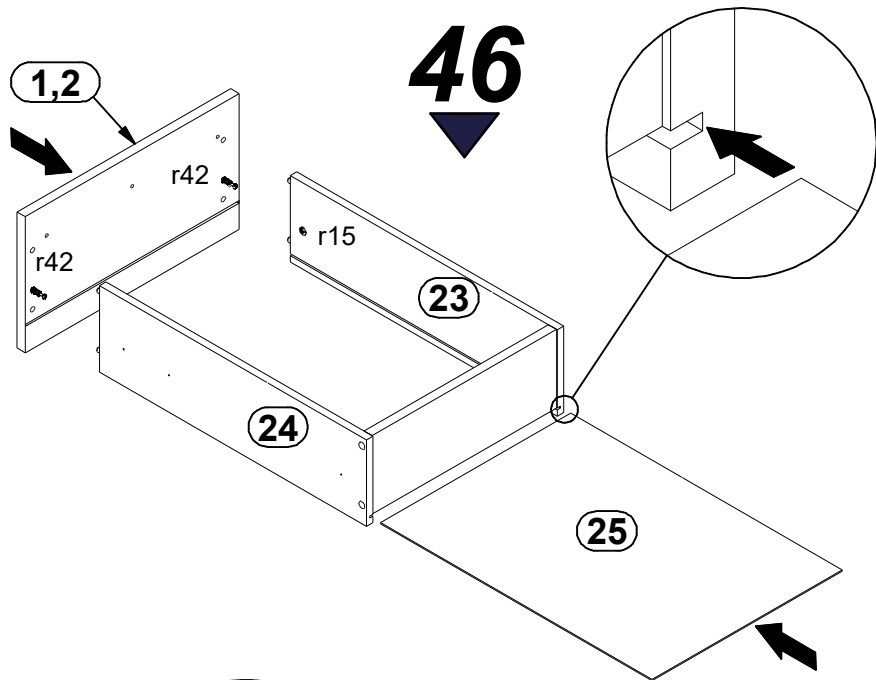


# 42



- 2x  c344\6
- 6x  p8

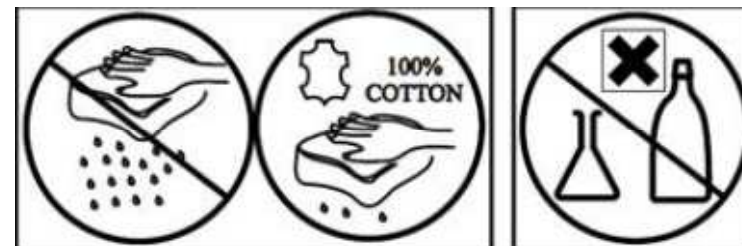
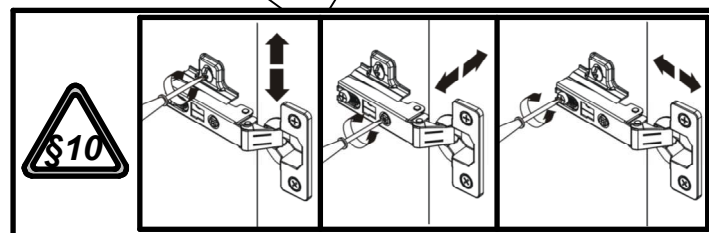
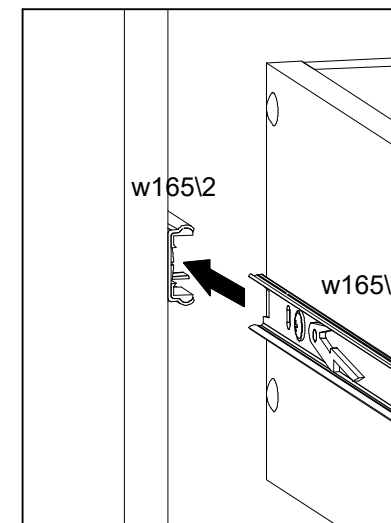
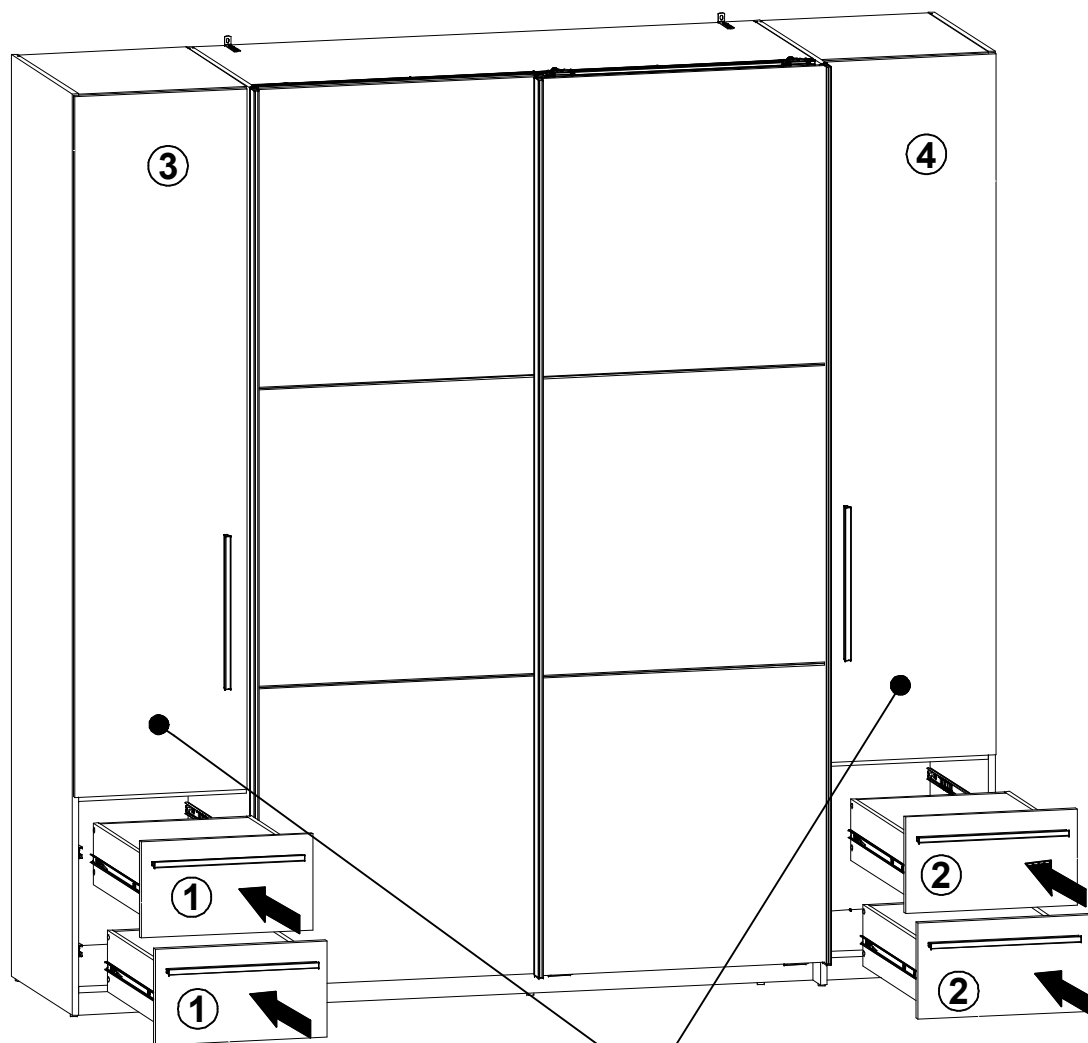




**48**

- 4x  
c344\6
- 12x  
Ø4x25 mm  
p8
- 24x  
Ø3,5x12 mm  
p140
- 8x  
w165\1

# 49

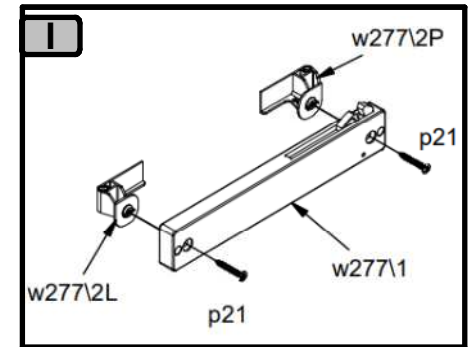
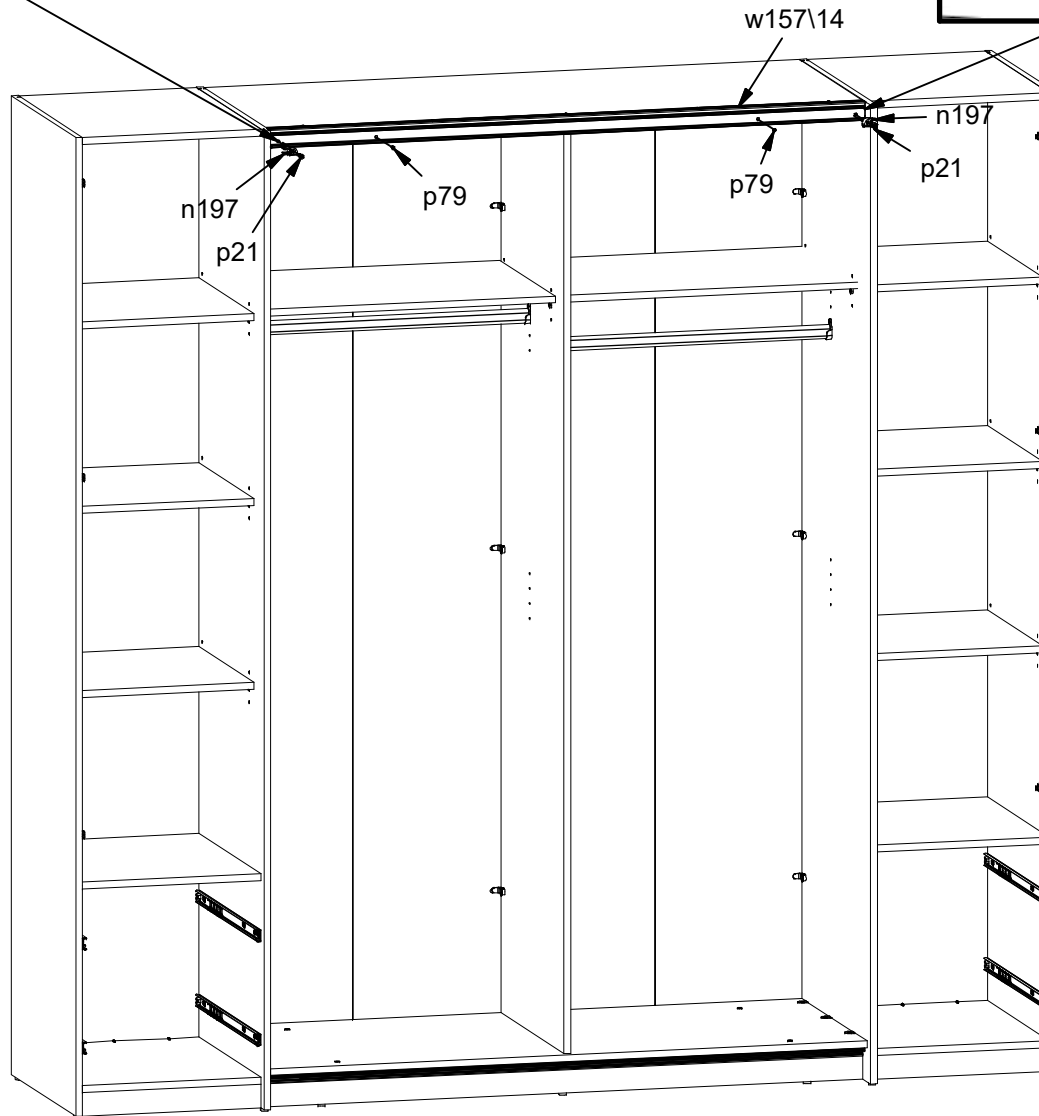
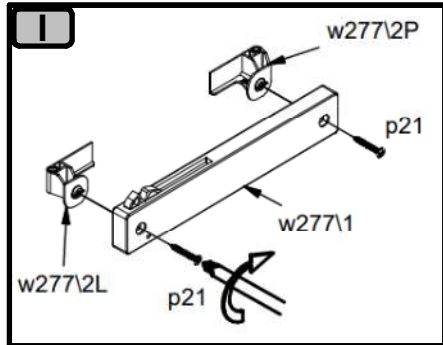
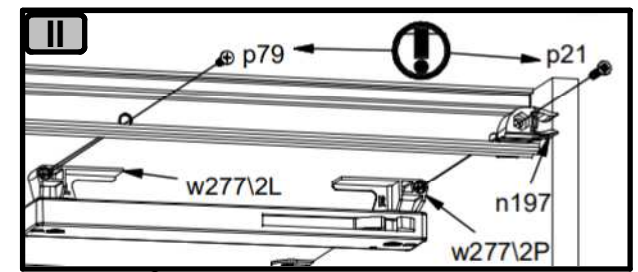
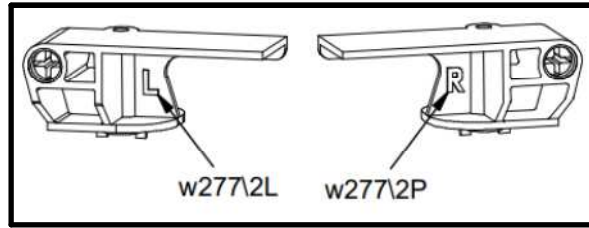
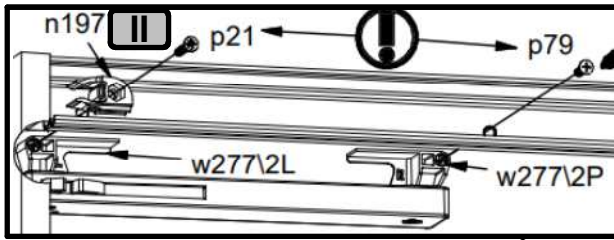


A

F89-SZF4D4S\_215

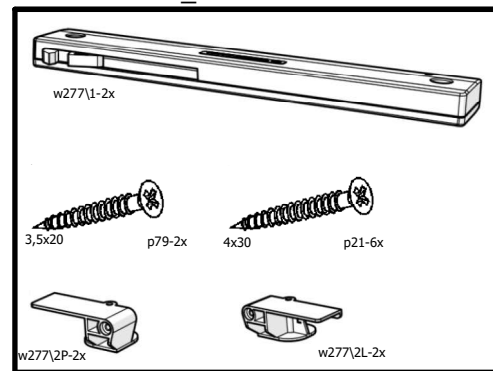
58-654

39 / 40



**OPTIONAL**

S00-SZF2D\_CD-SZ-AKC-BC-AKC01

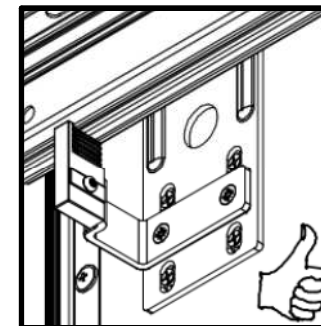
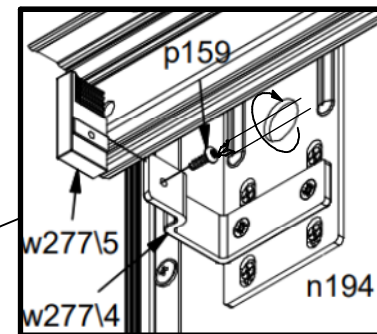
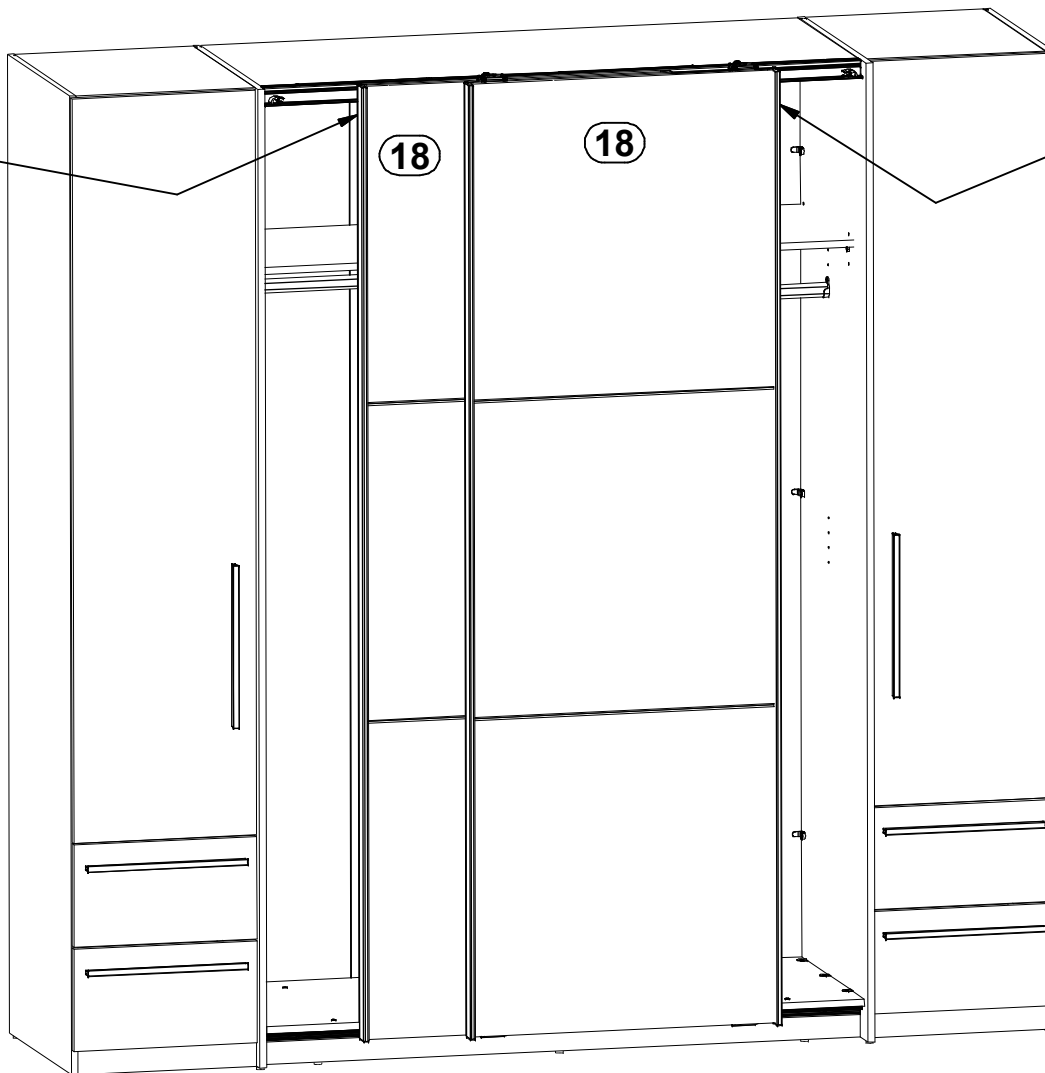
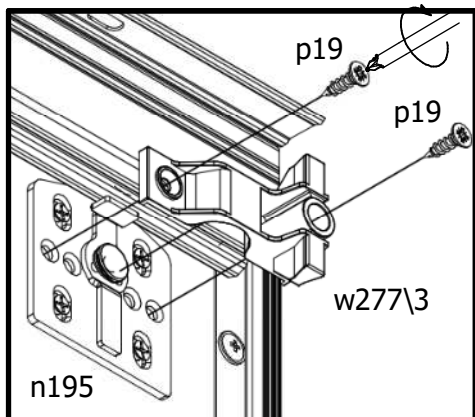


**50**





# 51



## OPTIONAL

S00-SZF2D\_CD-SZ-AKC-BC-AKC01

