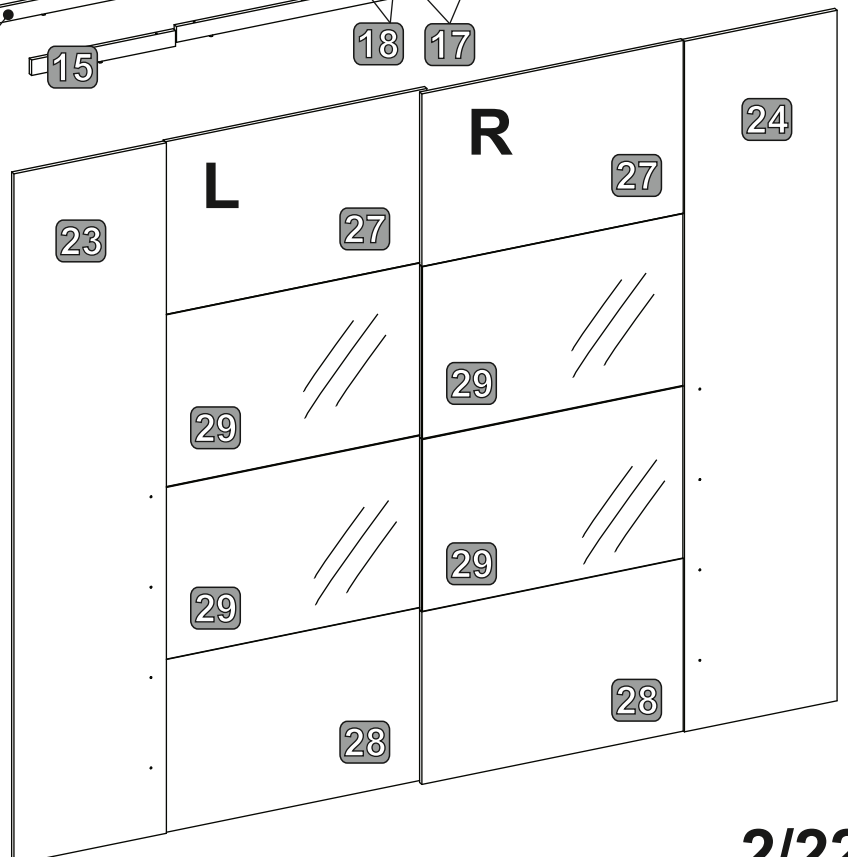
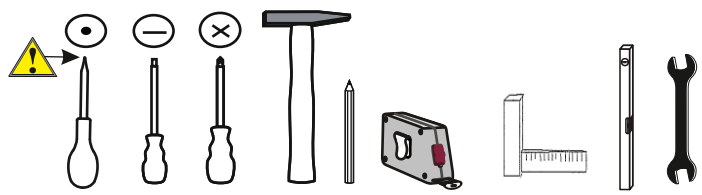
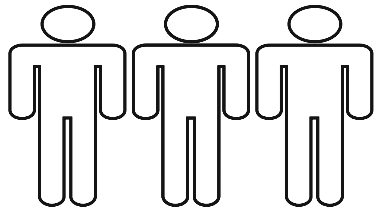




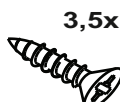

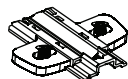
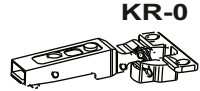

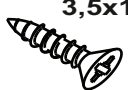
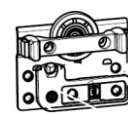

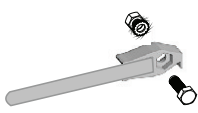



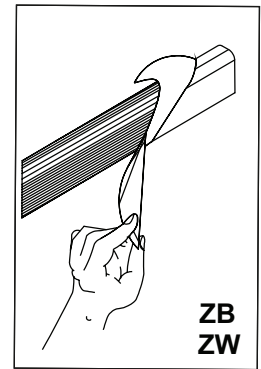
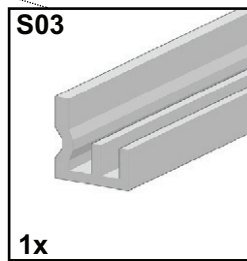
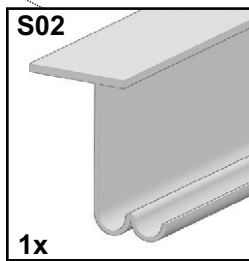
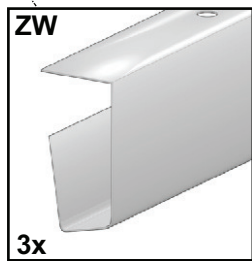
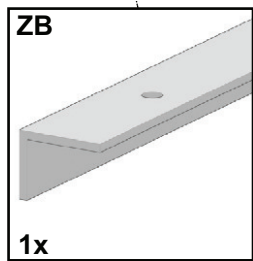


NR	DIM	QTE	COLLI
1	2250x560x15	1	1/8
2	2250x560x15	1	1/8
3	2249x535x15	1	3/8
4	2250x588x15	1	2/8
5	2250x588x15	1	2/8
6	469,5x560x15	1	1/8
7	469,5x541x22	1	3/8
8	469,5x560x15	1	1/8
9	827,5x535x15	1	1/8
10	827,5x516x22	2	4/8
11	827,5x535x15	1	4/8
12	469,5x588x15	1	2/8
13	469,5x569x22	1	3/8
14	469,5x588x15	1	2/8
15	469,5x50x15	2	2/8
16	469,5x50x15	2	2/8
17	827,5x50x15	2	2/8
18	827,5x50x15	2	2/8
19	469,5x540x22	3	3/8
20	469,5x568x22	3	3/8
21	2188x476x2	2	1/8
22	2188x834x2	2	2/8
23	2200x496x15	1	6/8
24	2200x496x15	1	6/8
25	827,5x535x15	1	4/8
26	827,5x535x15	1	4/8
27	850x550x15	2	7;8/8
28	850x550x15	2	7;8/8
29	850x550x15	4	7;8/8

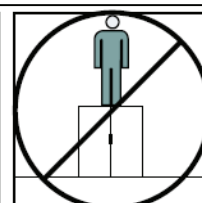
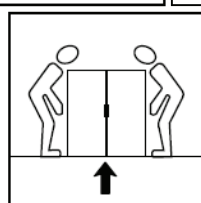
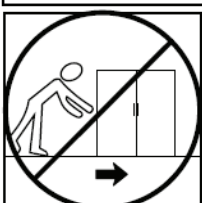
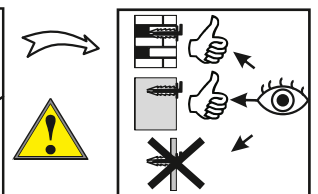
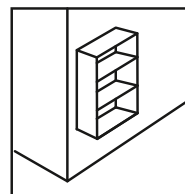
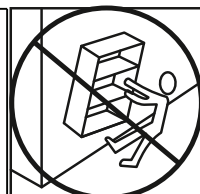
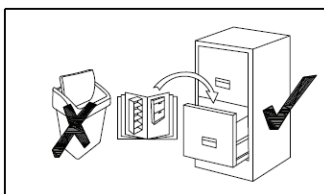
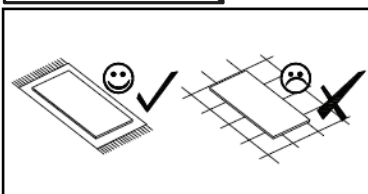
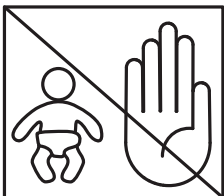











 48x T04	 48x T05	 5x40 20x W06	 1x K01	 30x R02	 44x R01
 4x13 2x W07	 3,5x13 140x W02	 4x E03	 22x S01	 3,5x13 8x W05	 L-823 mm 2x J01
 24x E01	 4x Z21	 KR-0 4x Z22	 4x Z02	 KR-0 4x Z01	 3,5x16 16x W30
 2x P-10	 2x P-07	 1x P-09	 2x P-06	 1x P-08	 18x W08
 L+R 1x G-02	 2x F-02	 20x C02	 3x Sz1	 4x25 8x W03	 6x11 28x W12
 2x P01	 24x E02	 2x F01	 2x F11	 6,3x9,5 30x W20	 6x8 24x W21

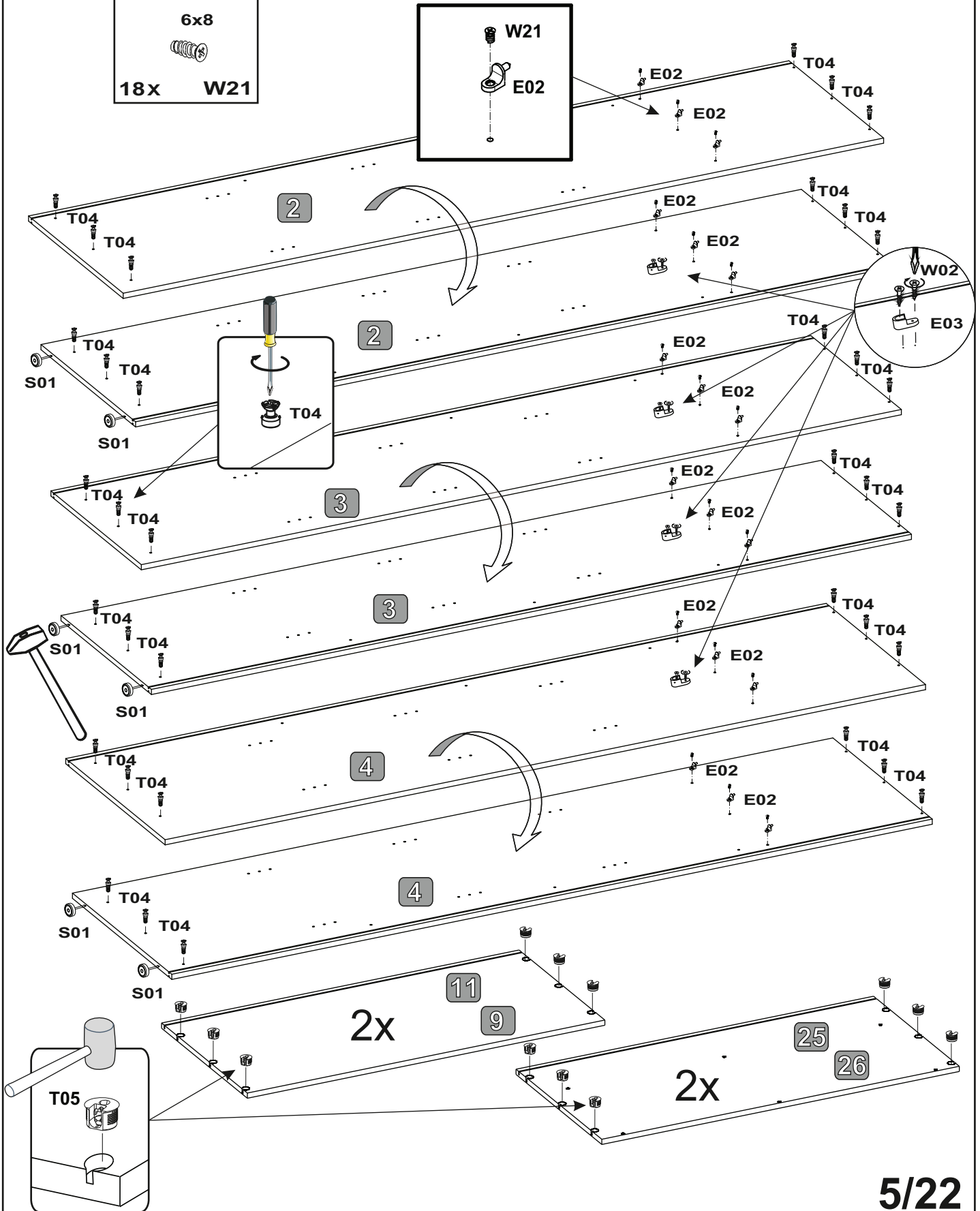


NR	DIM	QTE	COLLI
ZB	L-2200	1	5/8
ZW	L-2200	3	5/8
S03	L-1668	1	5/8
S02	L-1668	1	5/8
U01	L-900	2	5/8

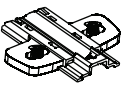







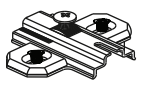
# 1

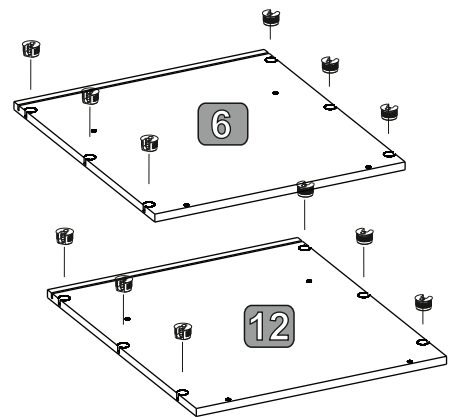
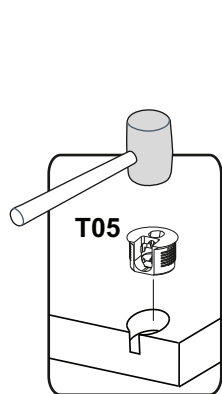
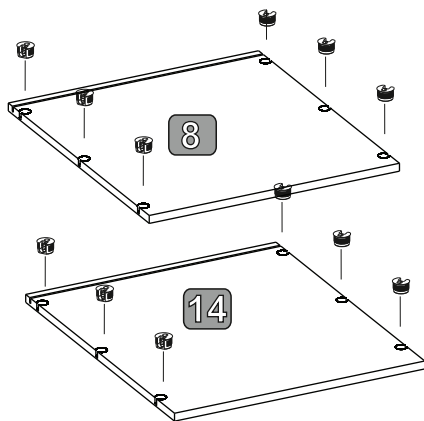
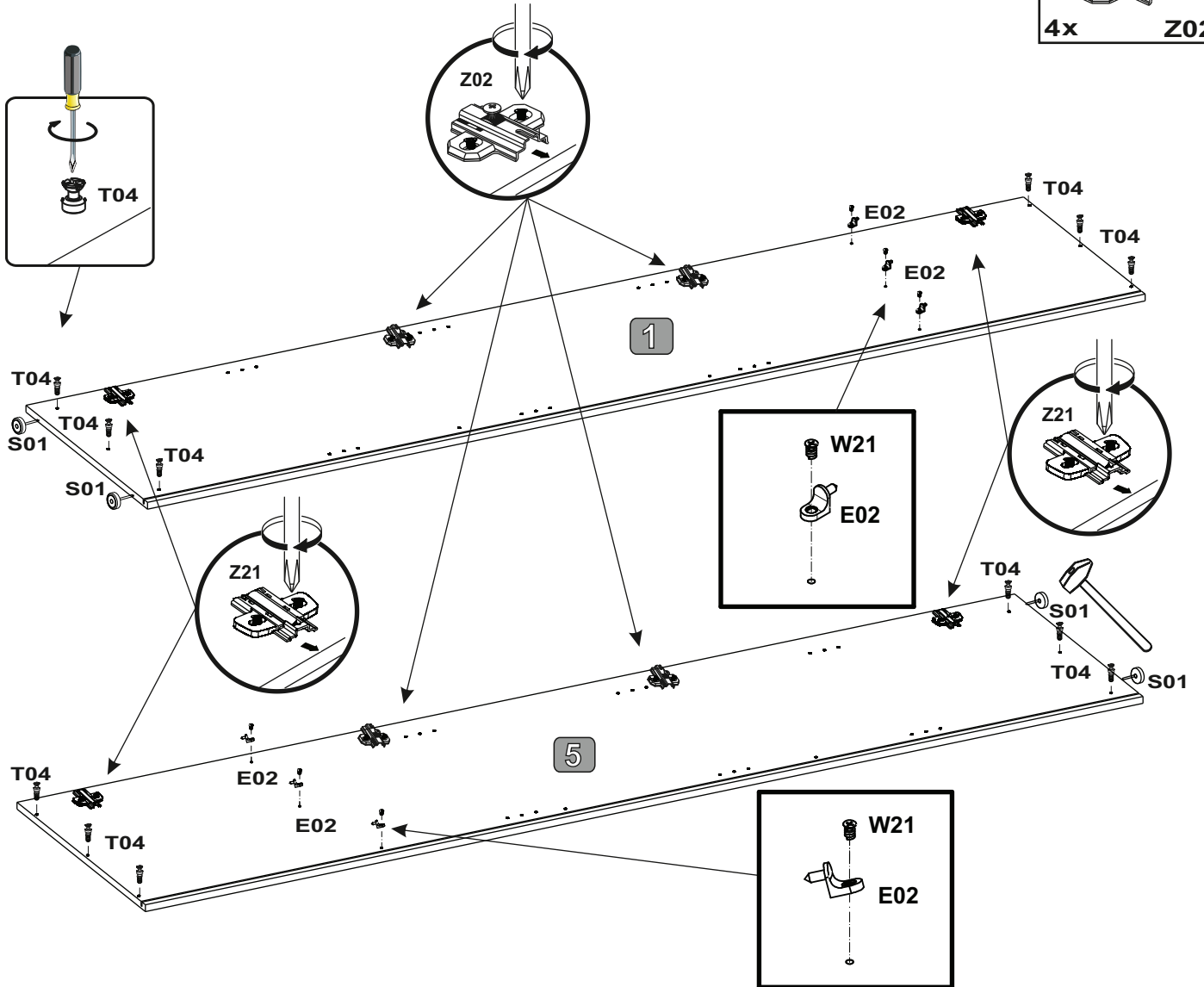
	18x	E02		8x	W02		6x	S01		4x	E03		36x	T04		24x	T05
	18x	W21															



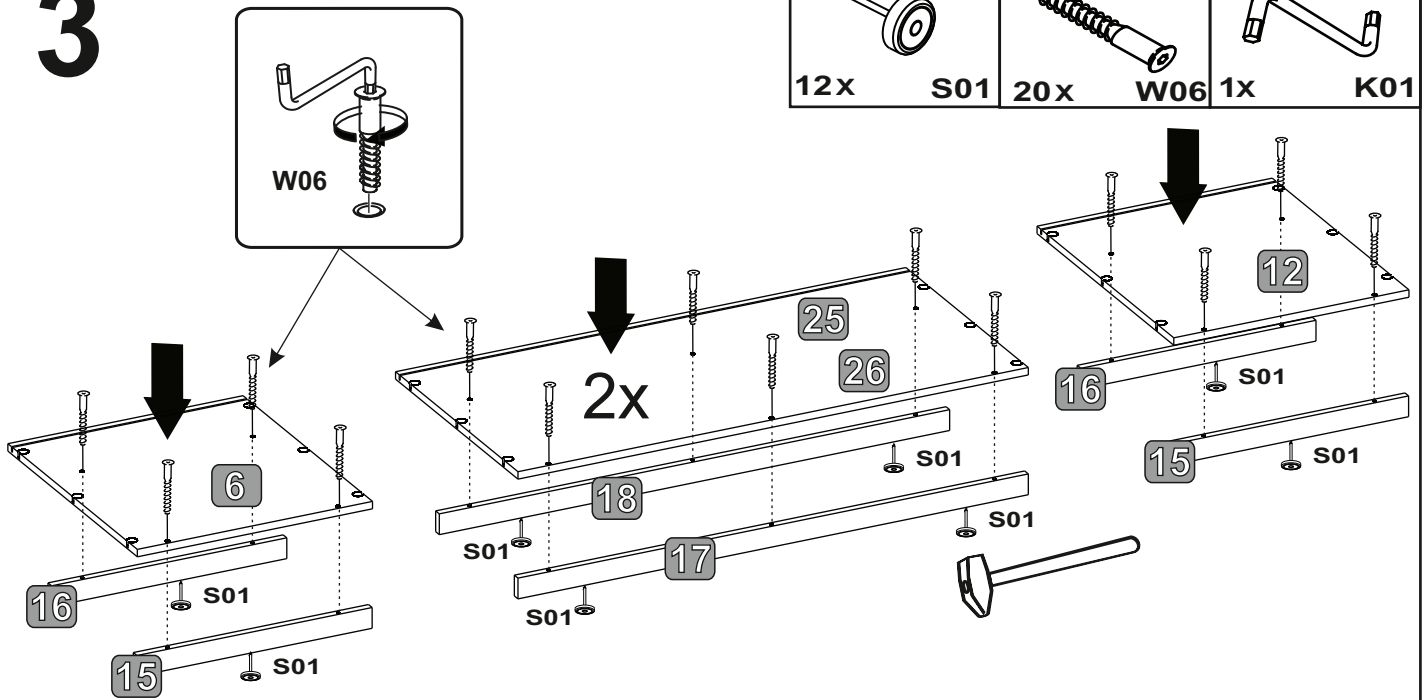
## 2

 4x Z21	 6x W21	 6x E02	 4x S01	 12x T04	 24x T05
---------------------------------------------------------------------------------------------	---------------------------------------------------------------------------------------------	---------------------------------------------------------------------------------------------	----------------------------------------------------------------------------------------------	------------------------------------------------------------------------------------------------	------------------------------------------------------------------------------------------------

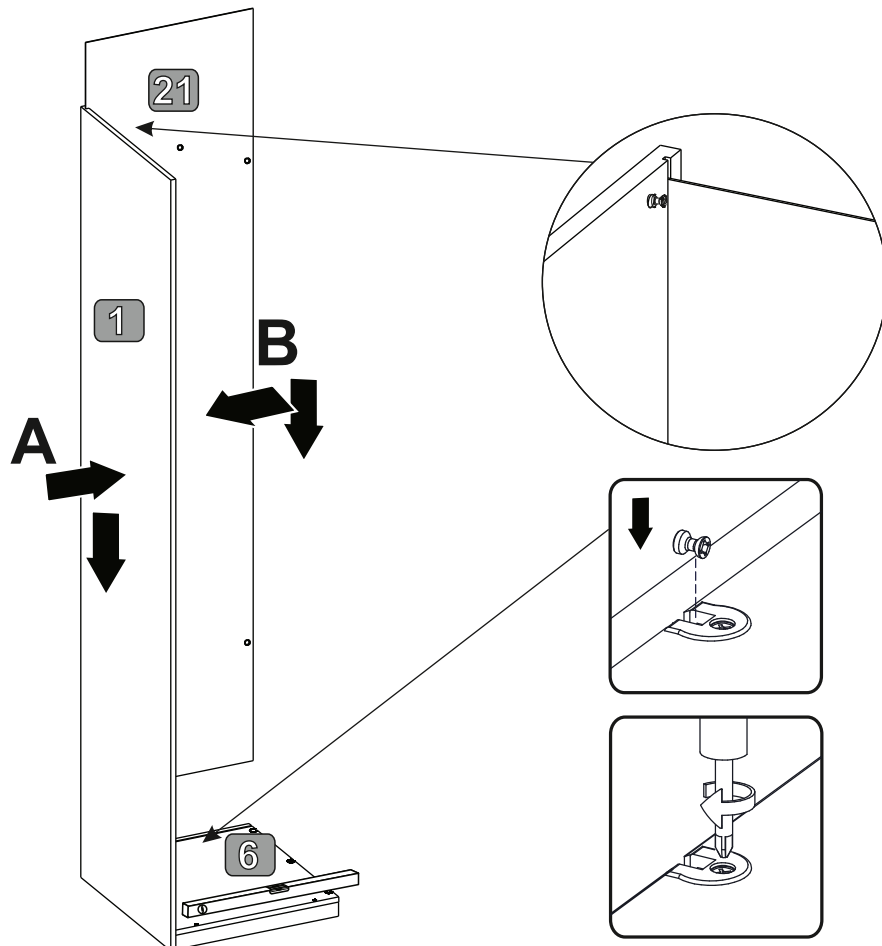
 4x Z02
-----------------------------------------------------------------------------------------------



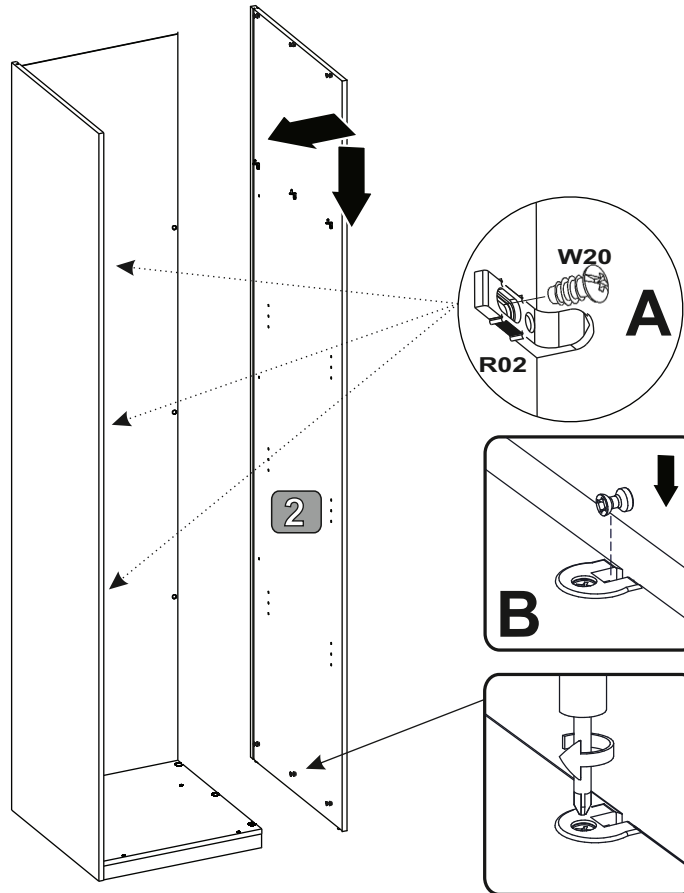
## 3



## 4

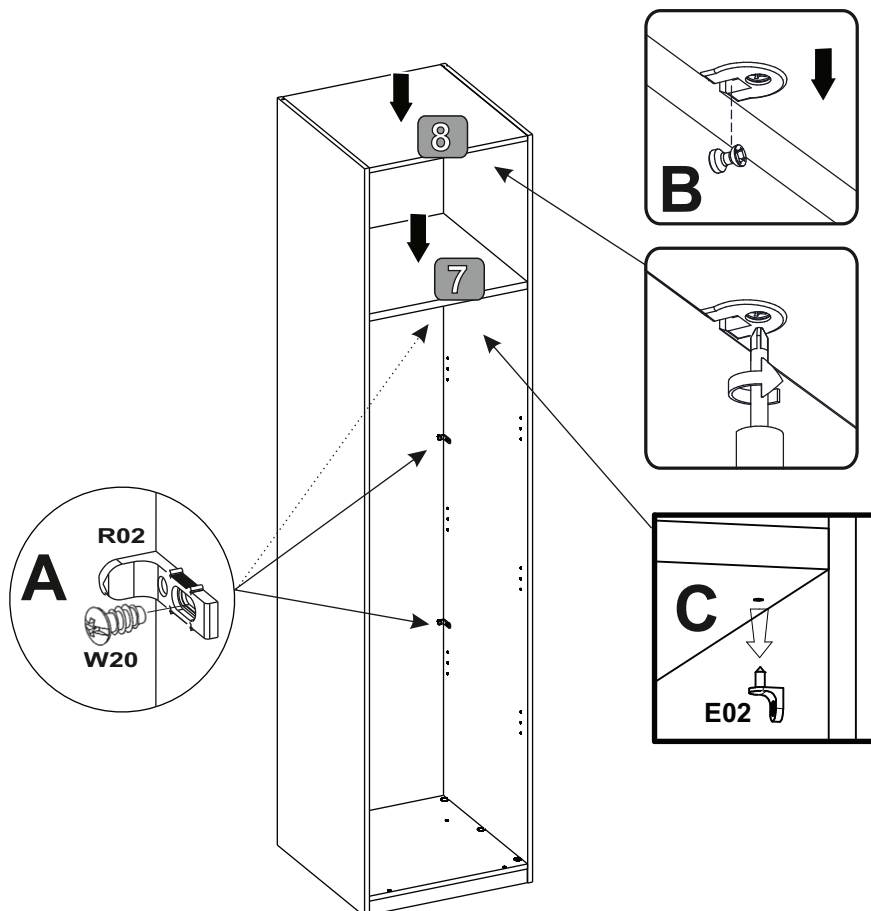


## 5



3x	R02
	6,3x9,5
3x	W20

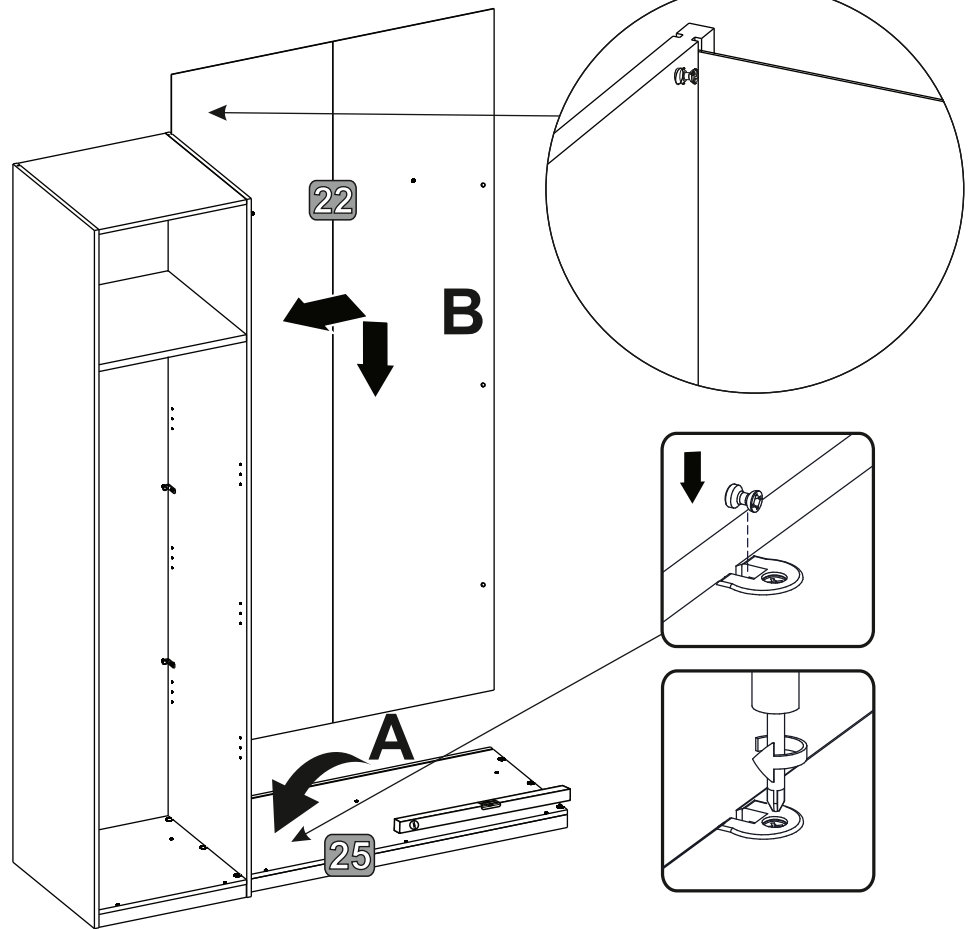
## 6



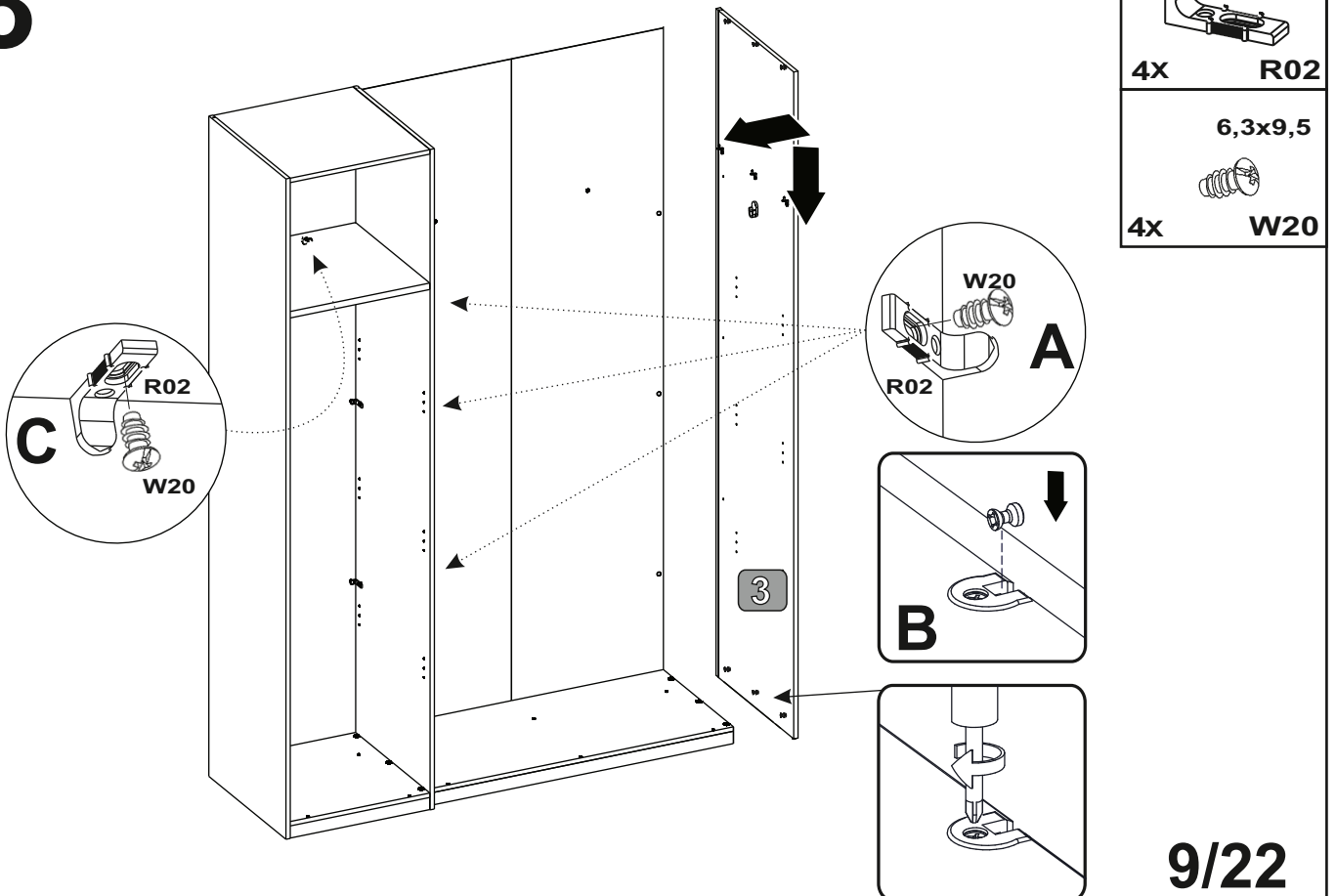
3x	R02
	6,3x9,5
3x	W20



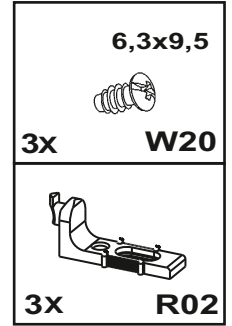
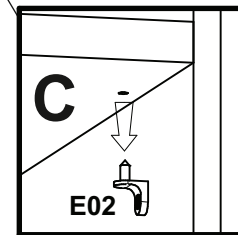
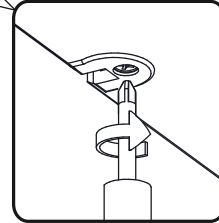
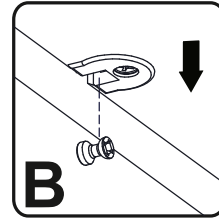
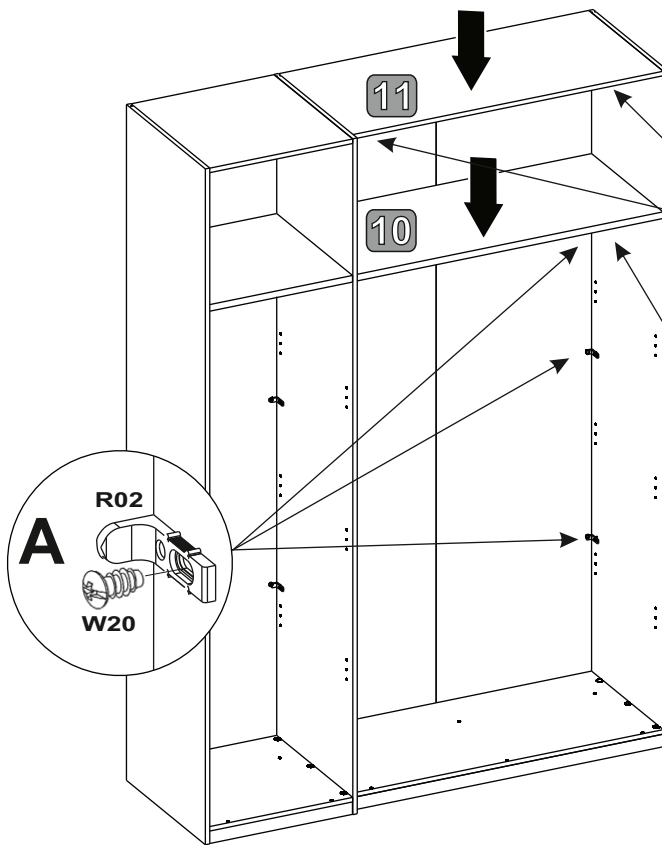
## 7



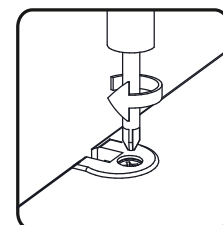
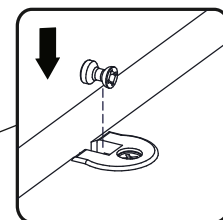
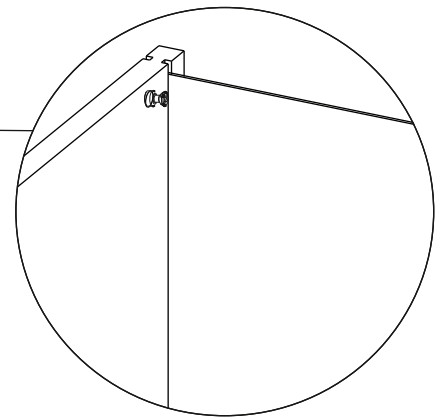
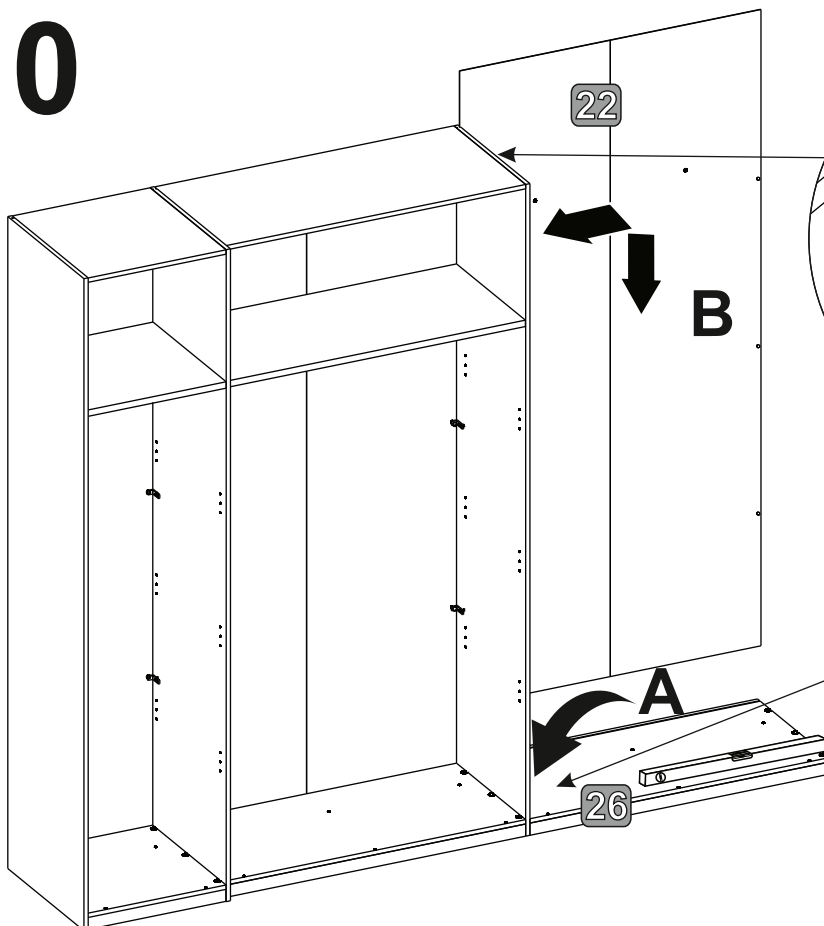
## 8



## 9

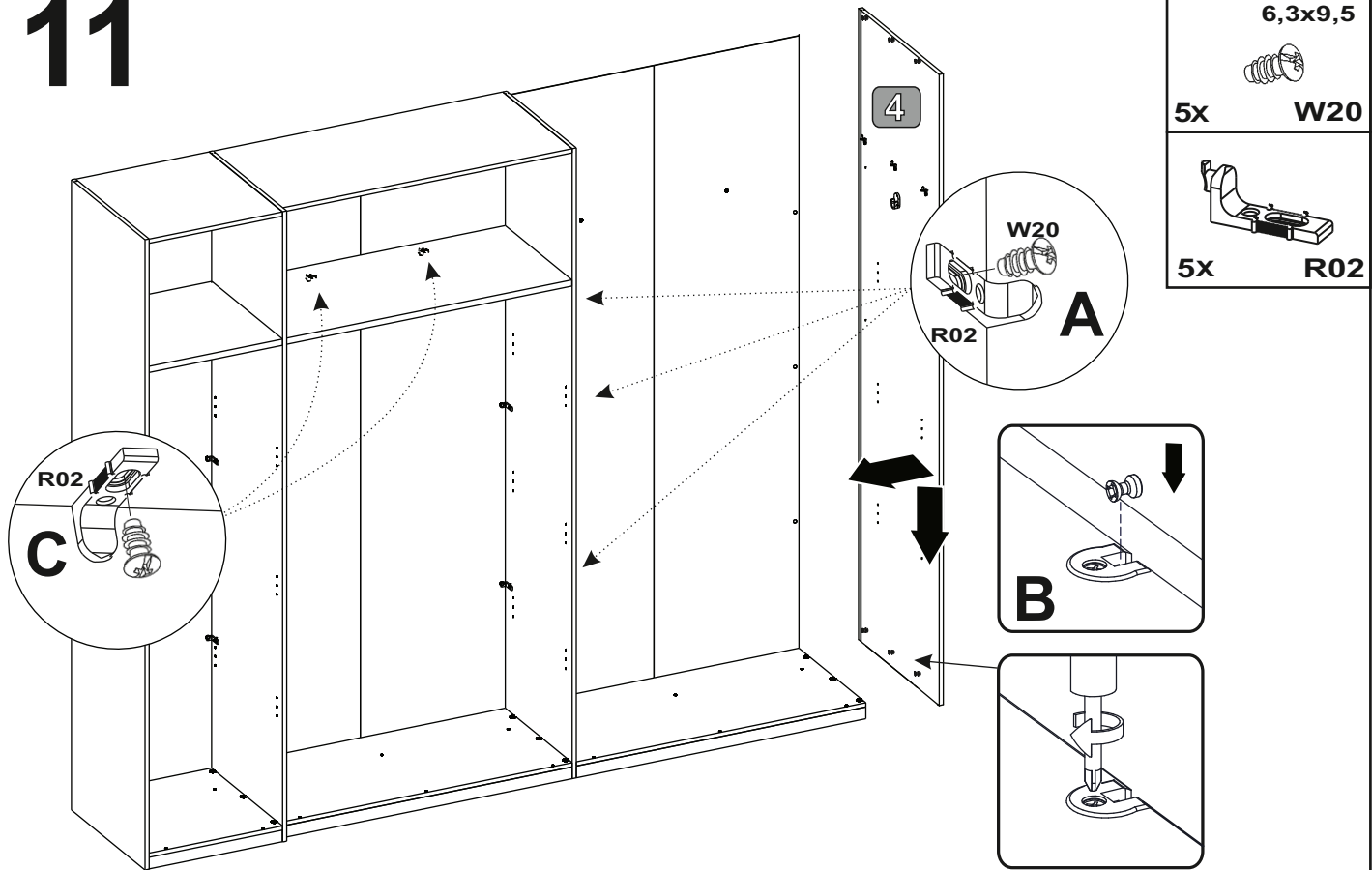


## 10

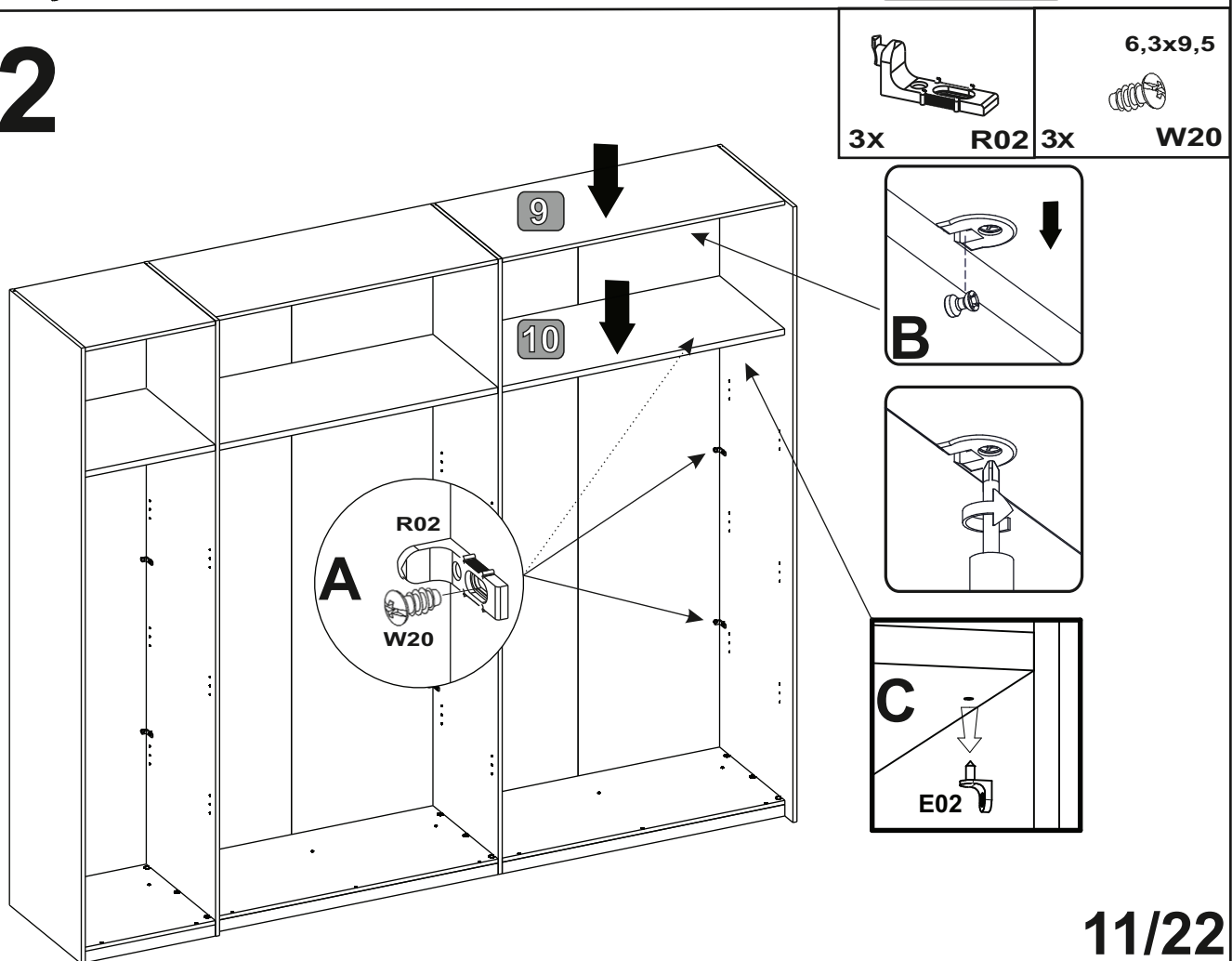


10/22

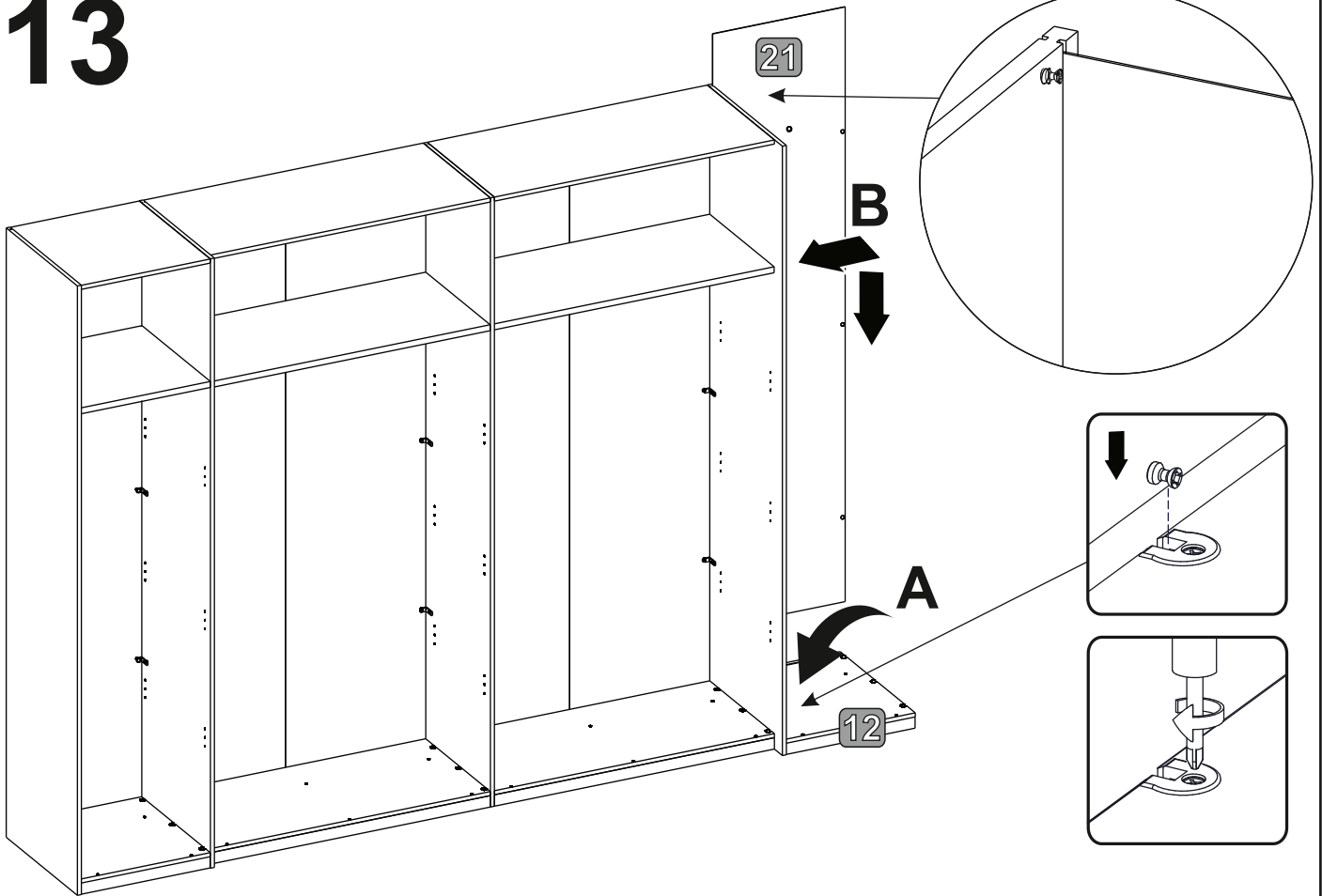
## 11



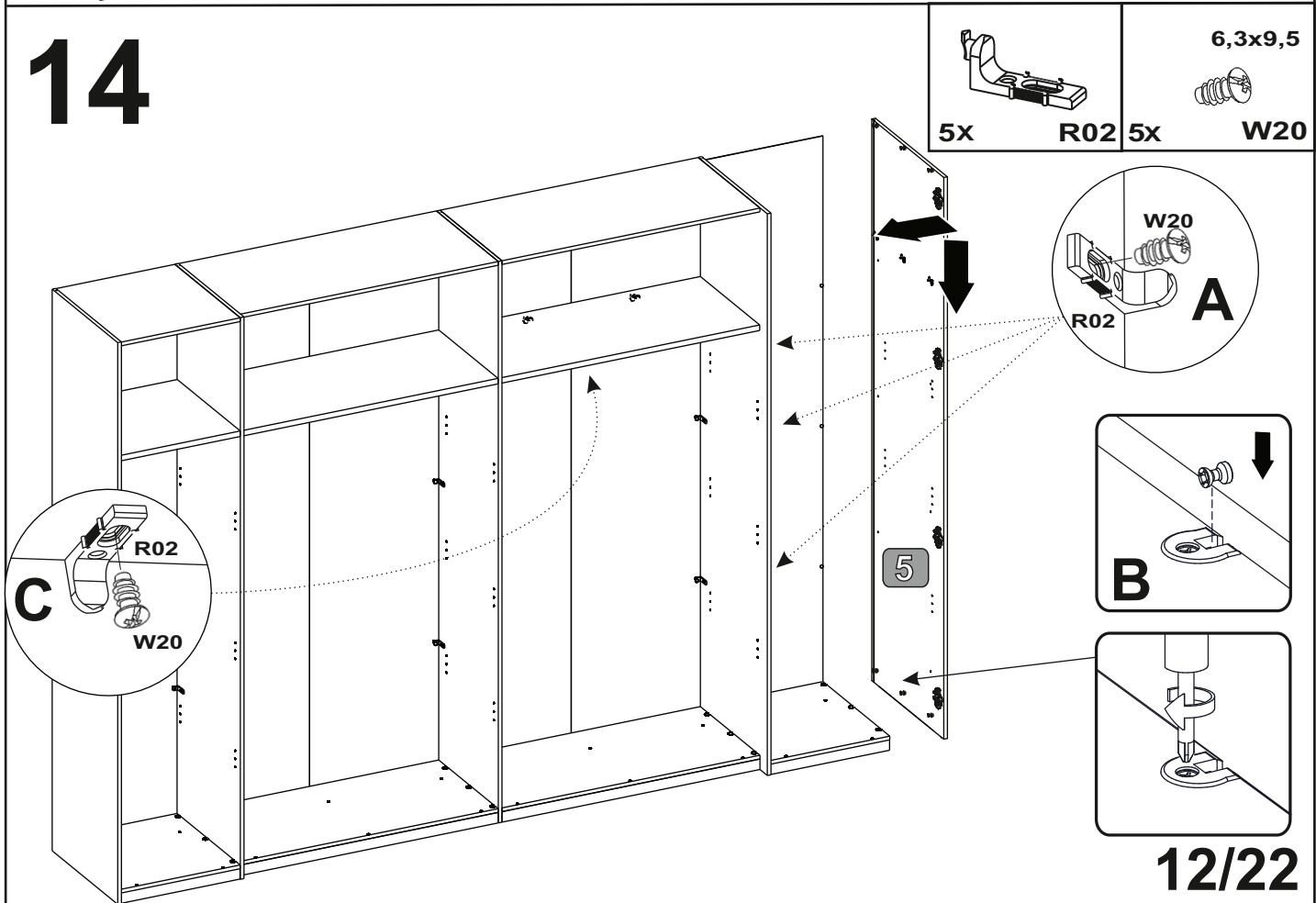
## 12



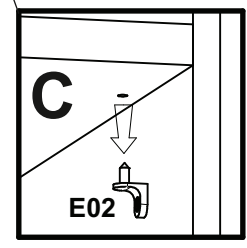
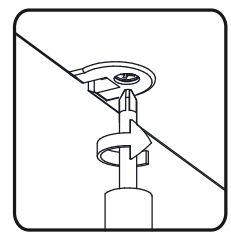
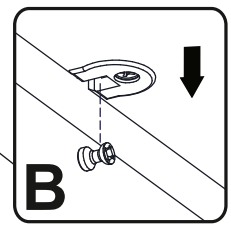
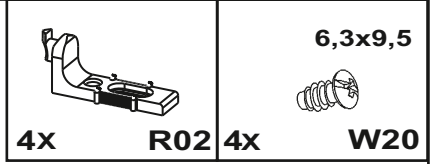
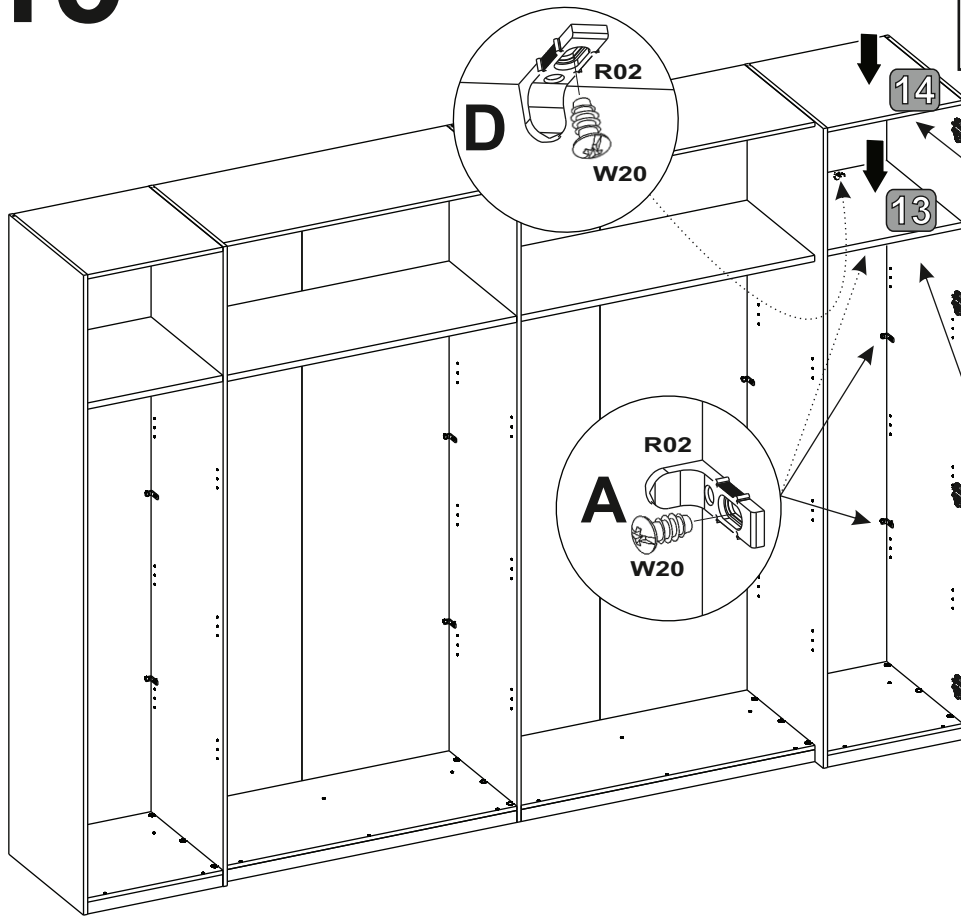
## 13



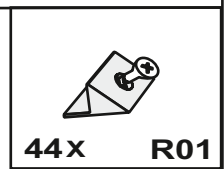
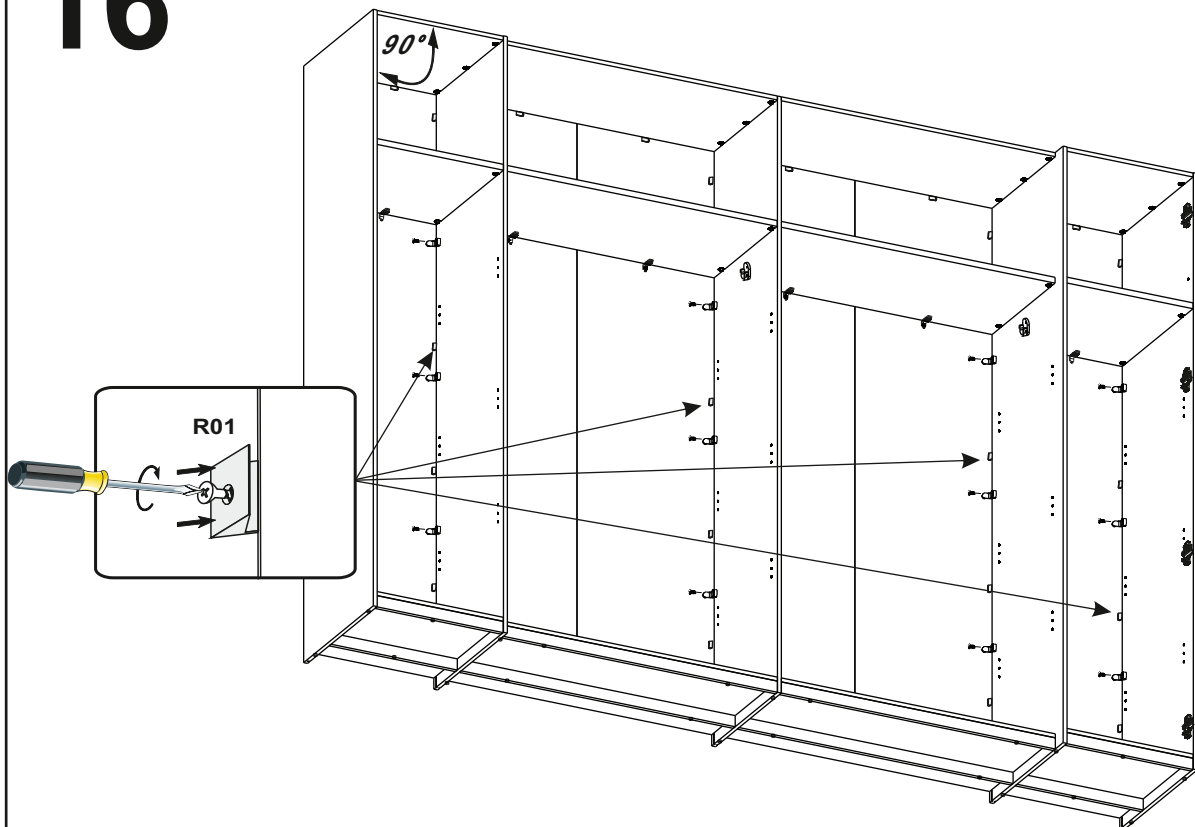
## 14



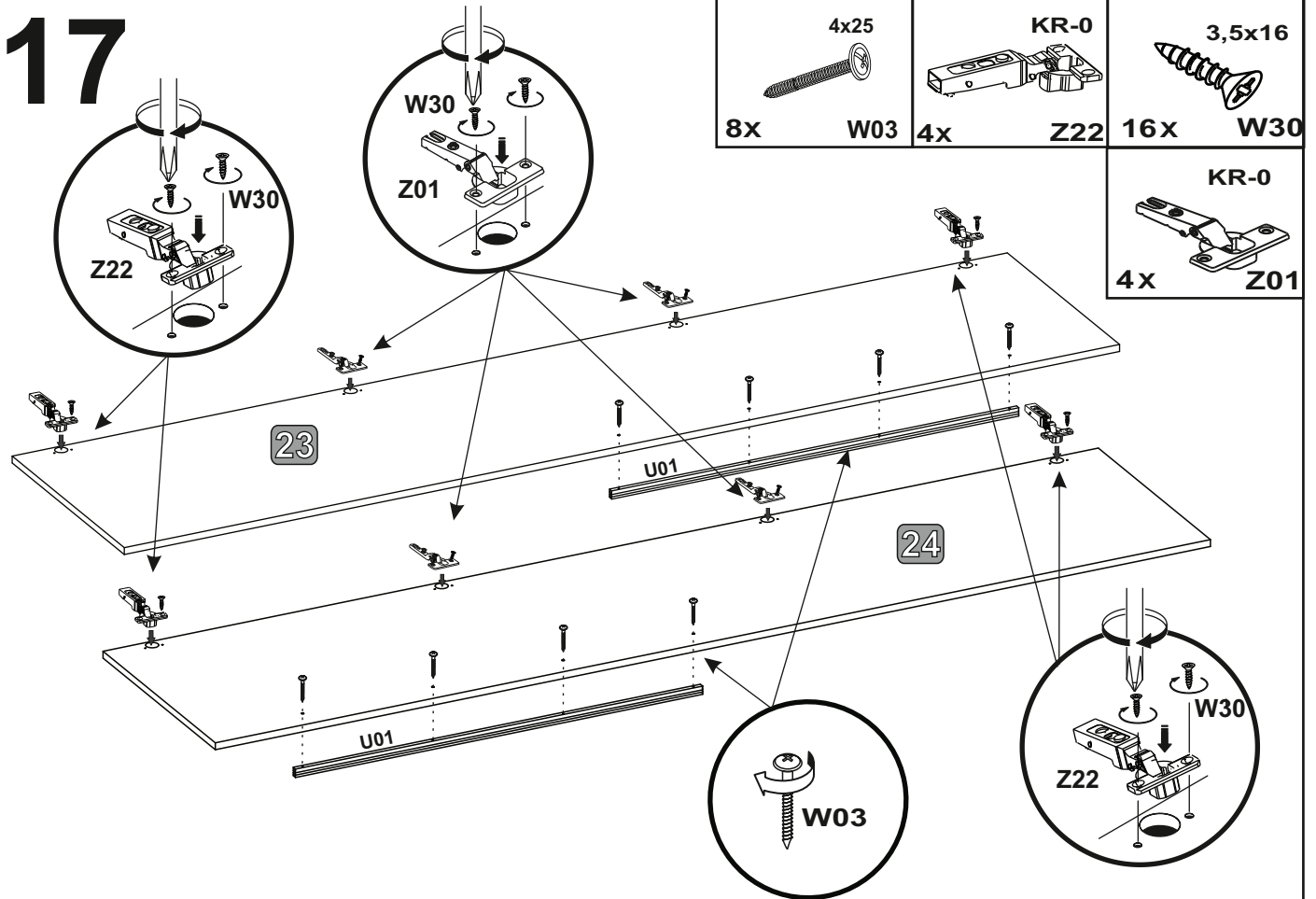
## 15



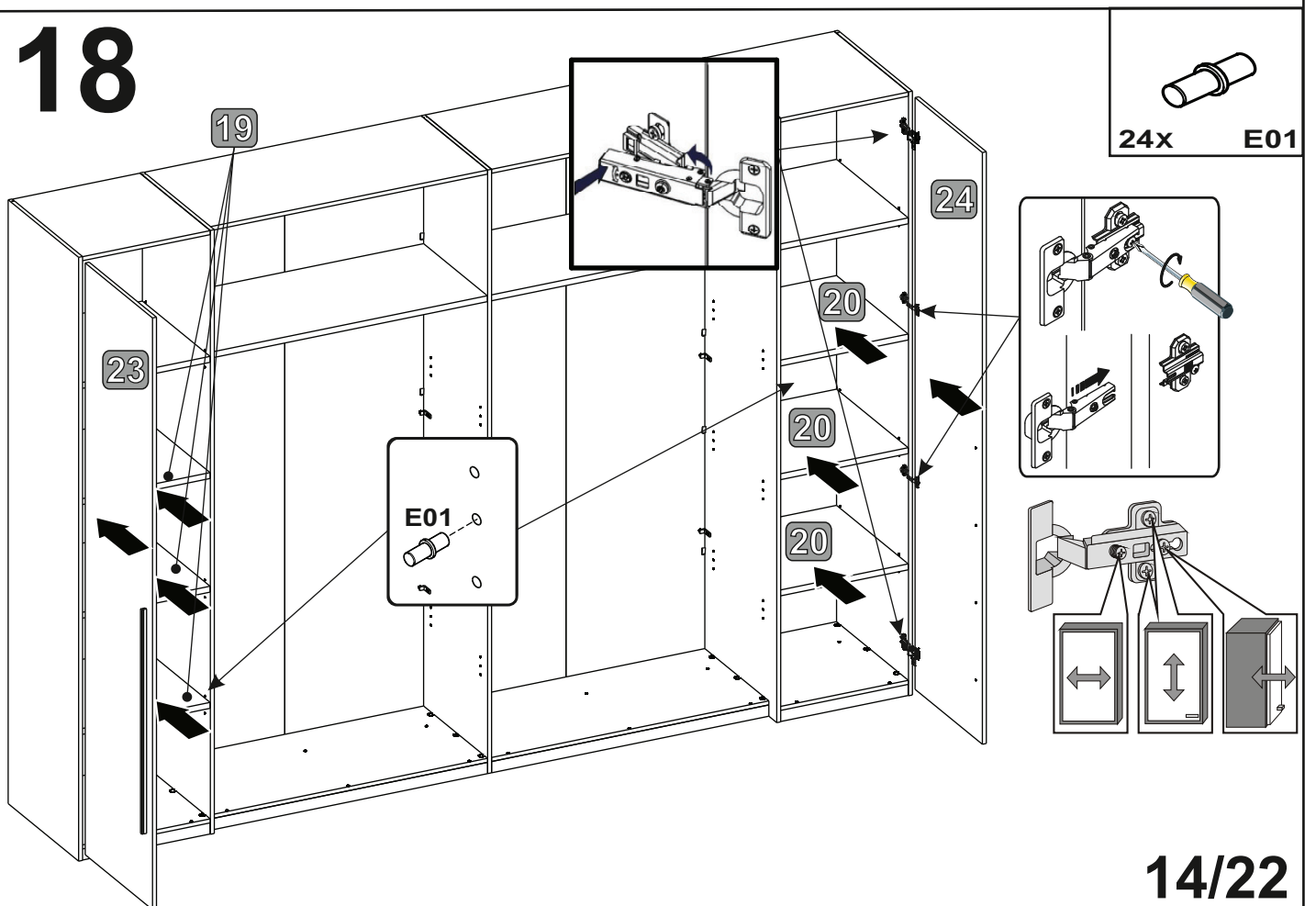
## 16



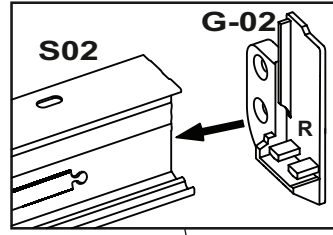
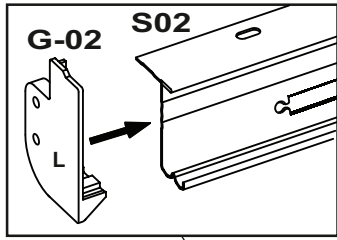
## 17



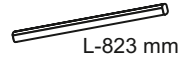
## 18



## 19



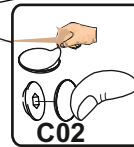
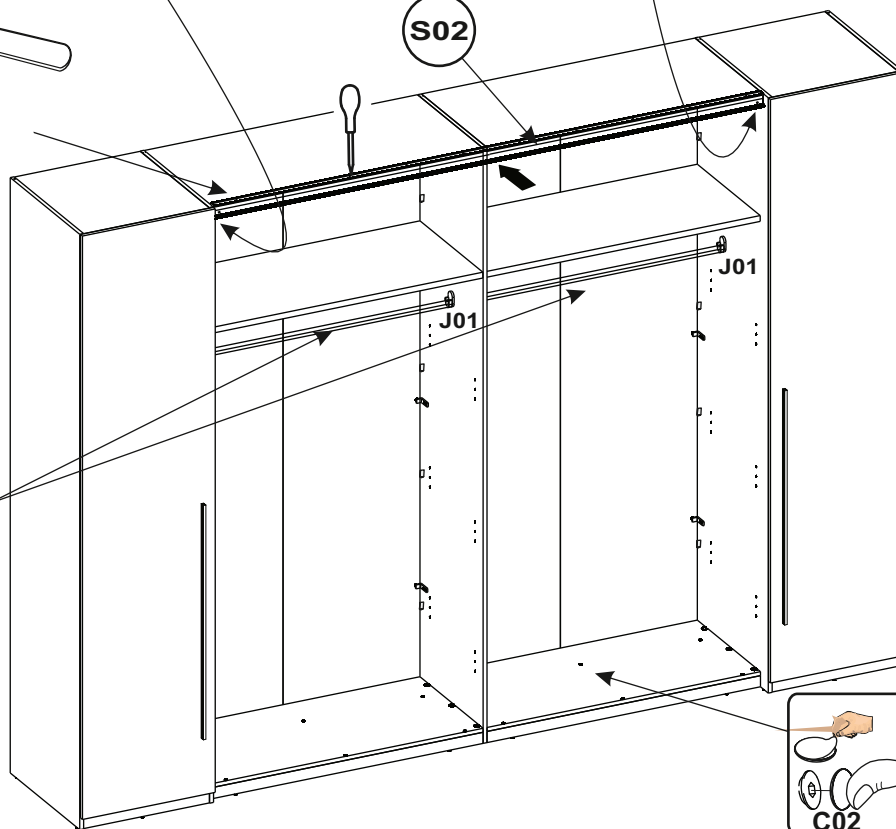
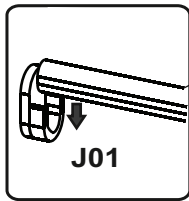
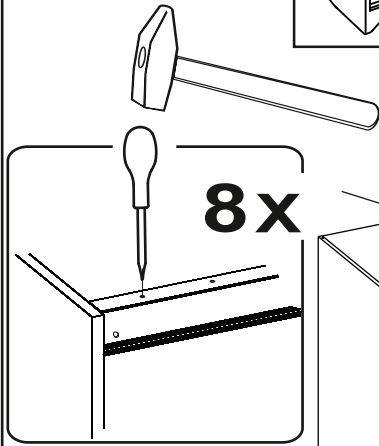
20 x C02



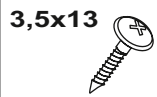
2 x J01



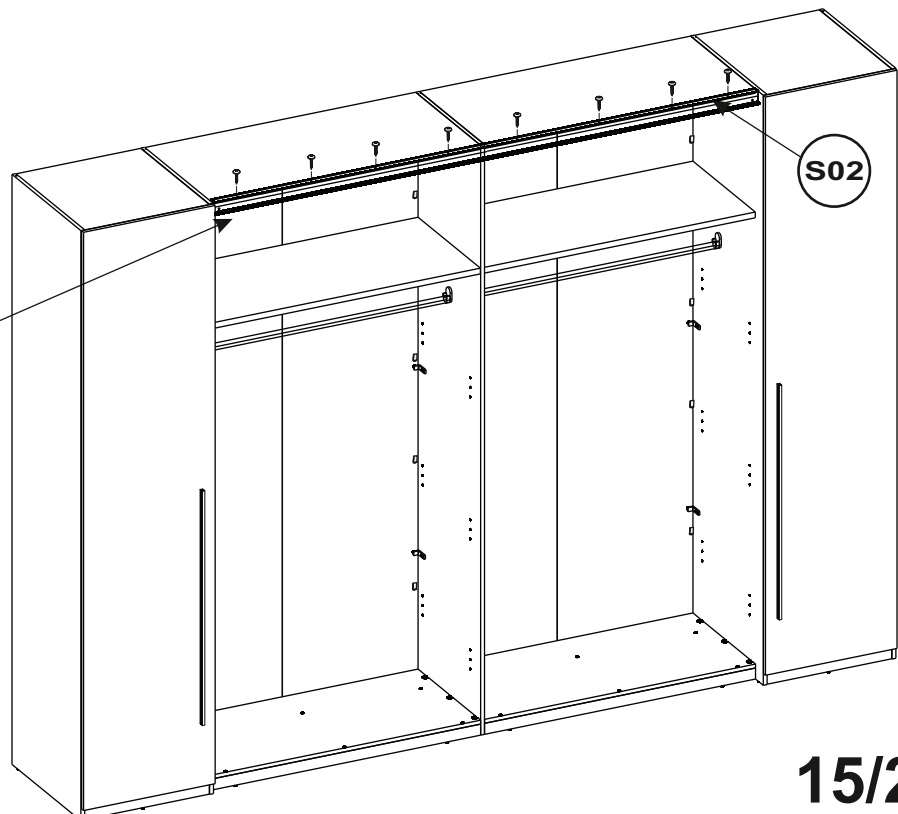
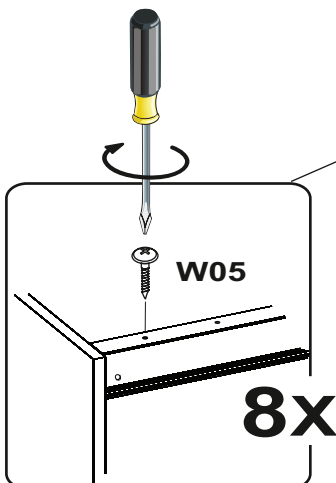
1 x G-02



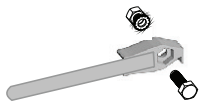
## 20



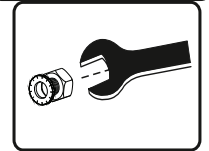
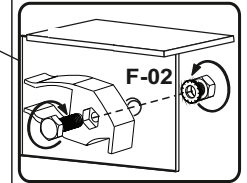
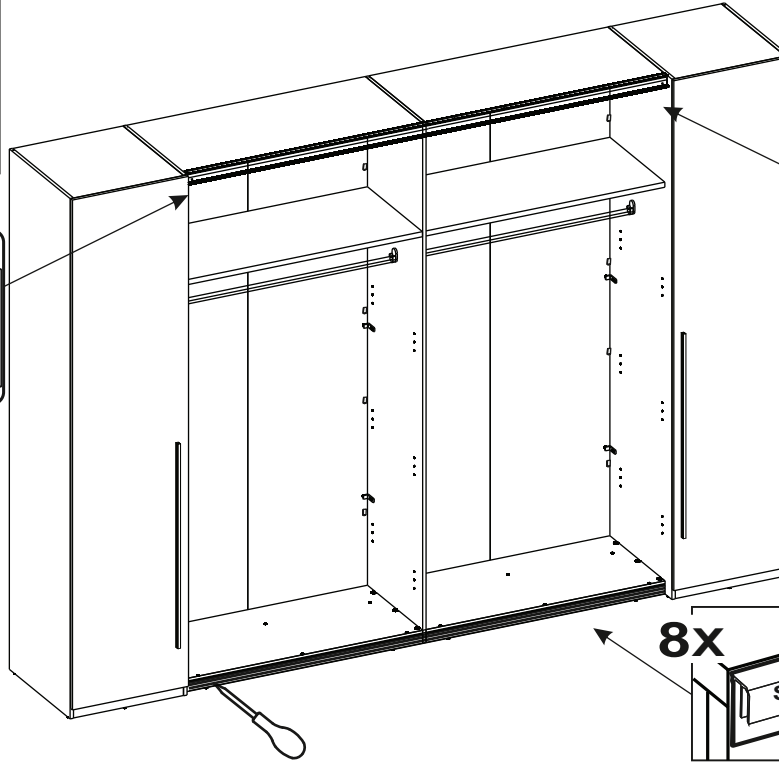
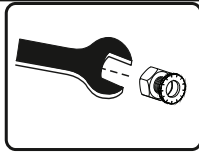
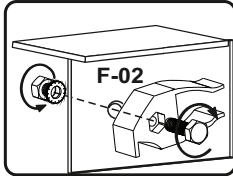
8x W05



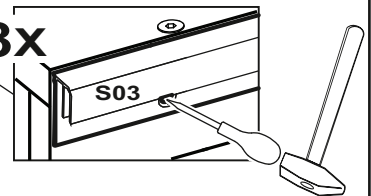
## 21



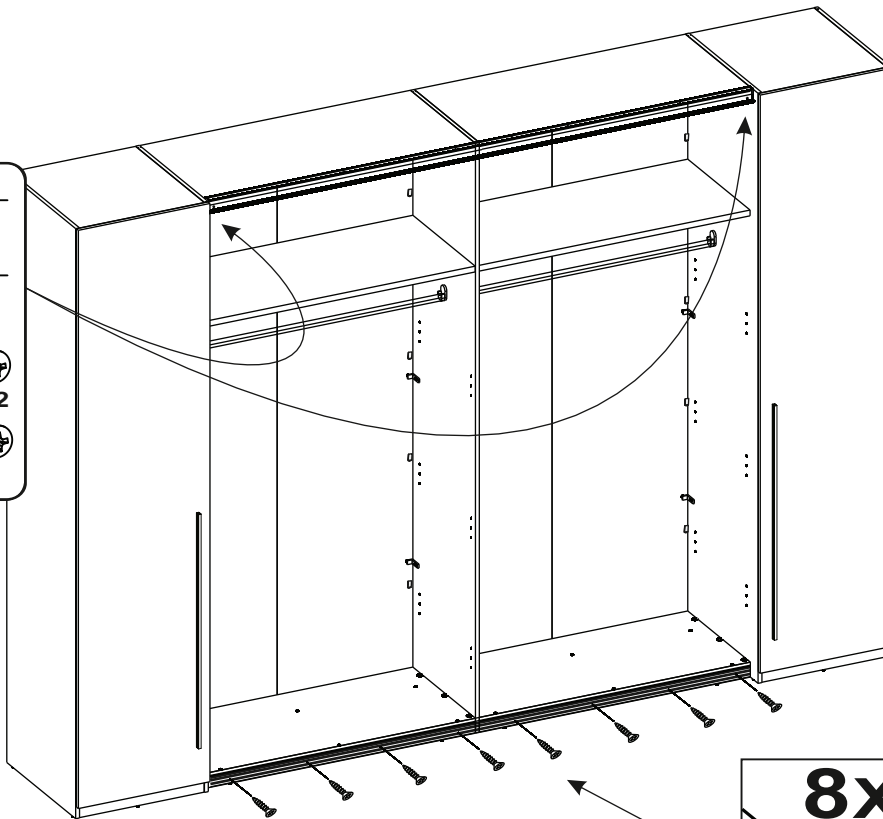
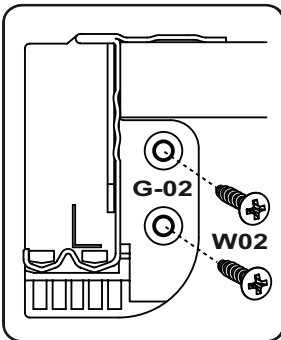
2x F-02



8x



## 22

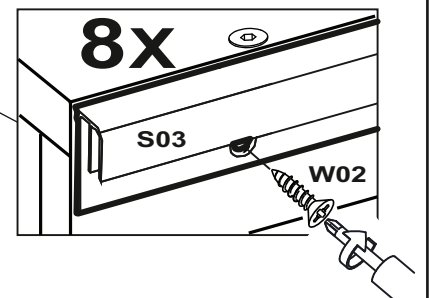


3,5x13



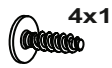



12x W02

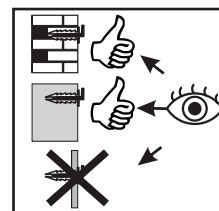
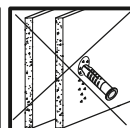
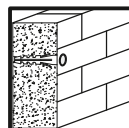
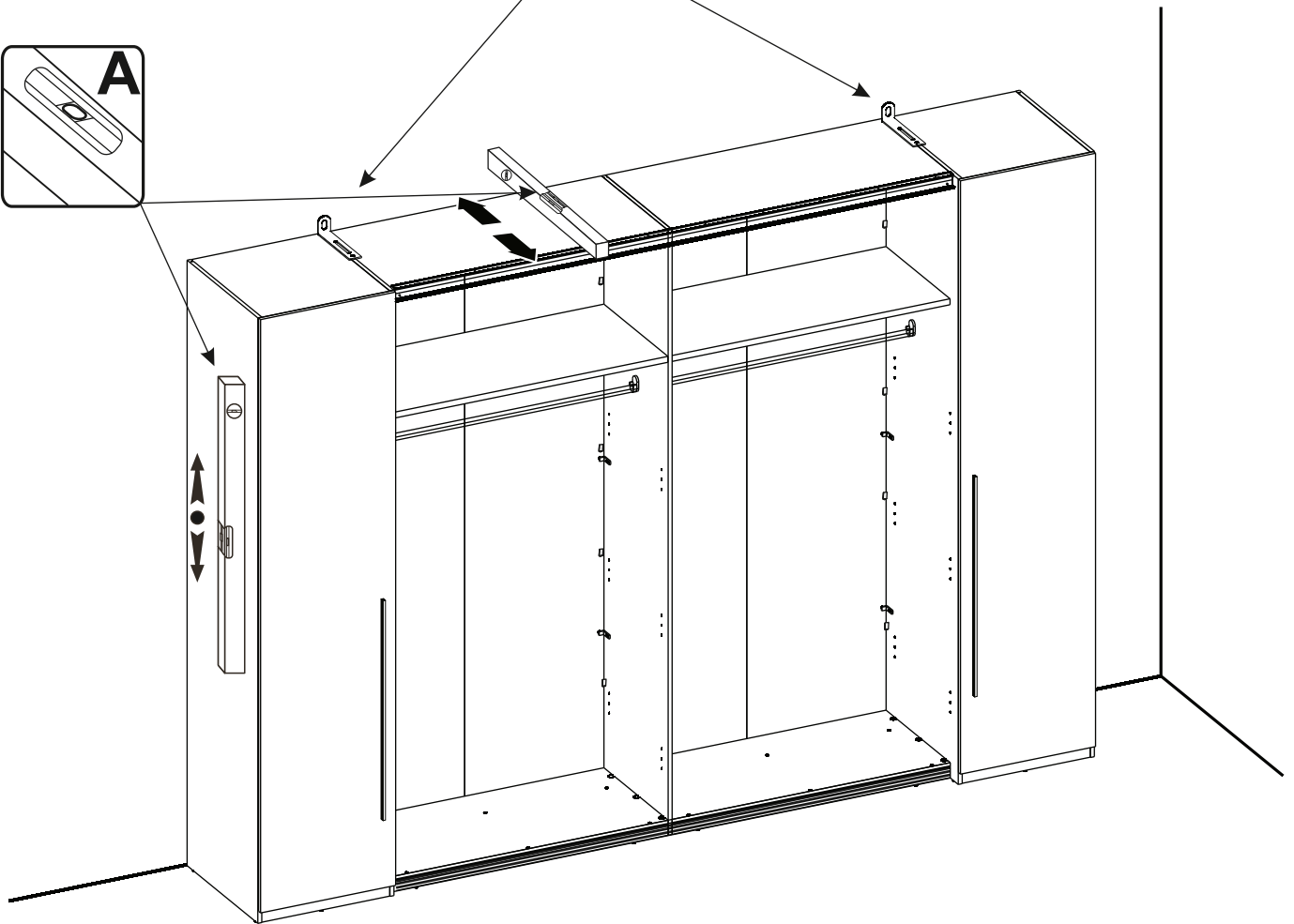
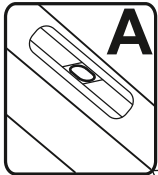
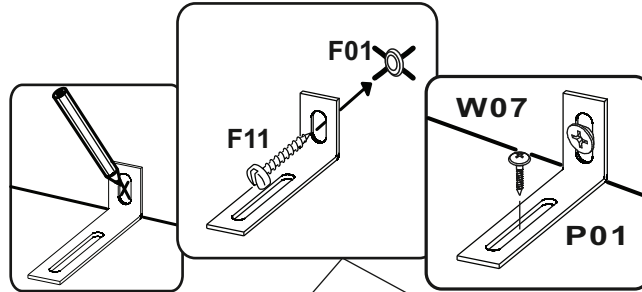
8x





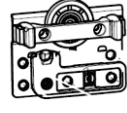
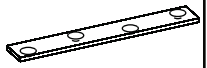


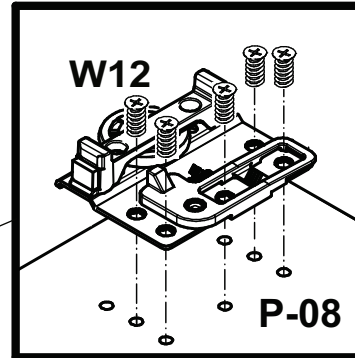
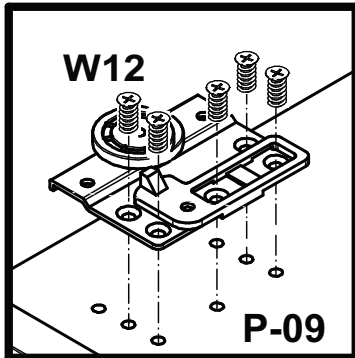
## 23



 4x13	 P01	 F11	 F01
2x W07	2x P01	2x F11	2x F01

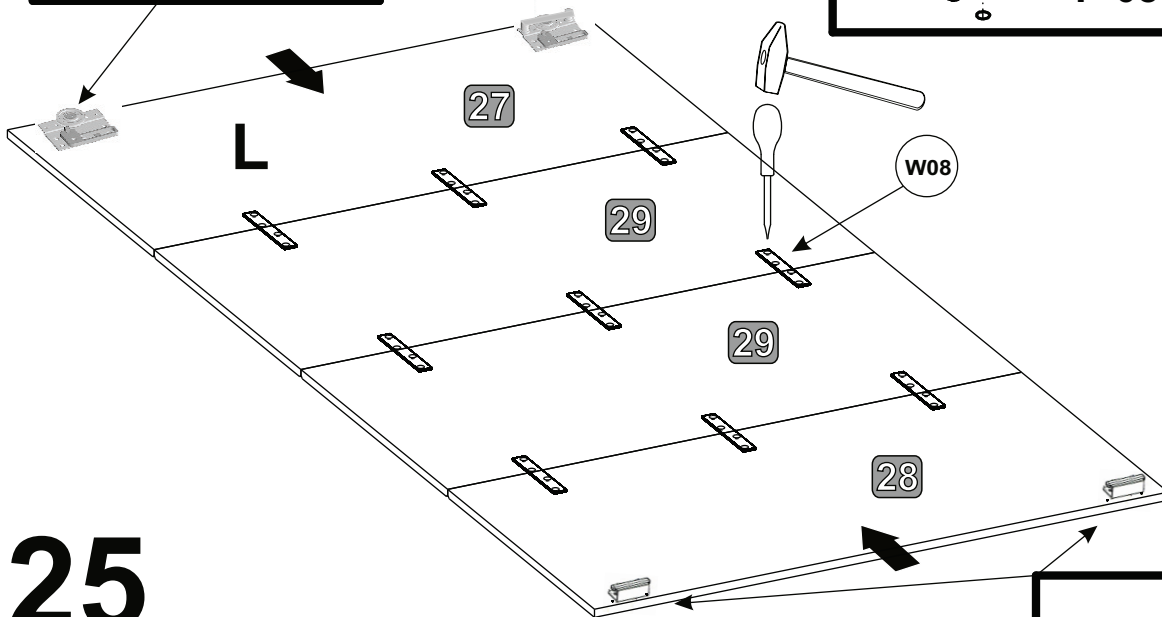


## 24

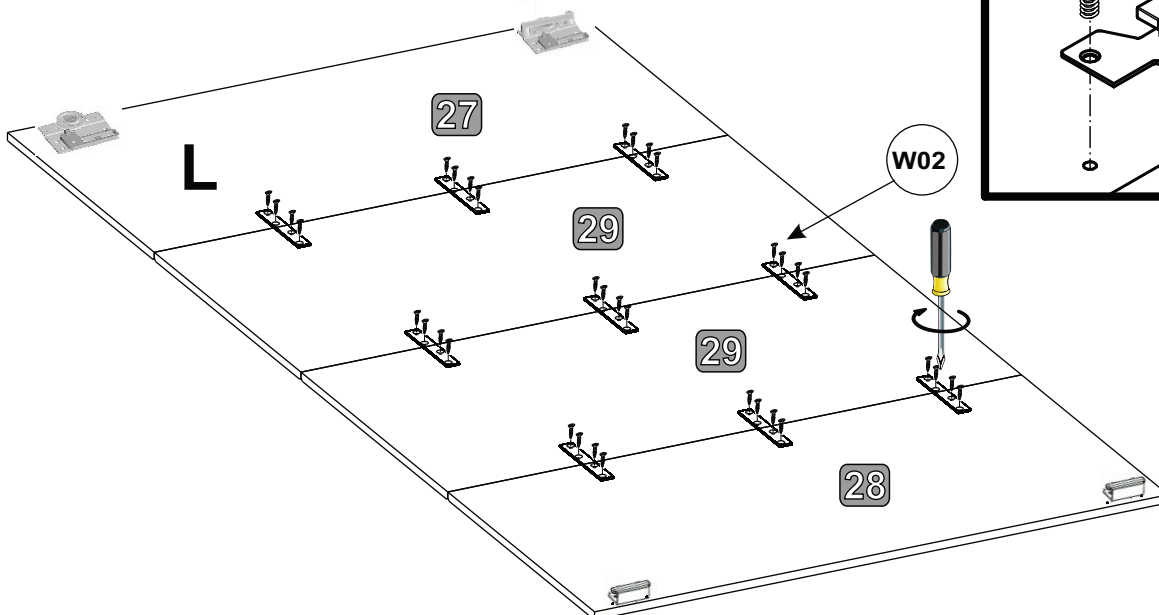
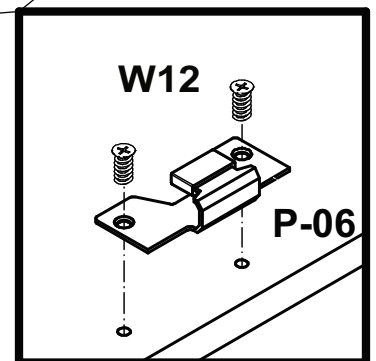
			
1x P-09	2x P-06	1x P-08	9x W08



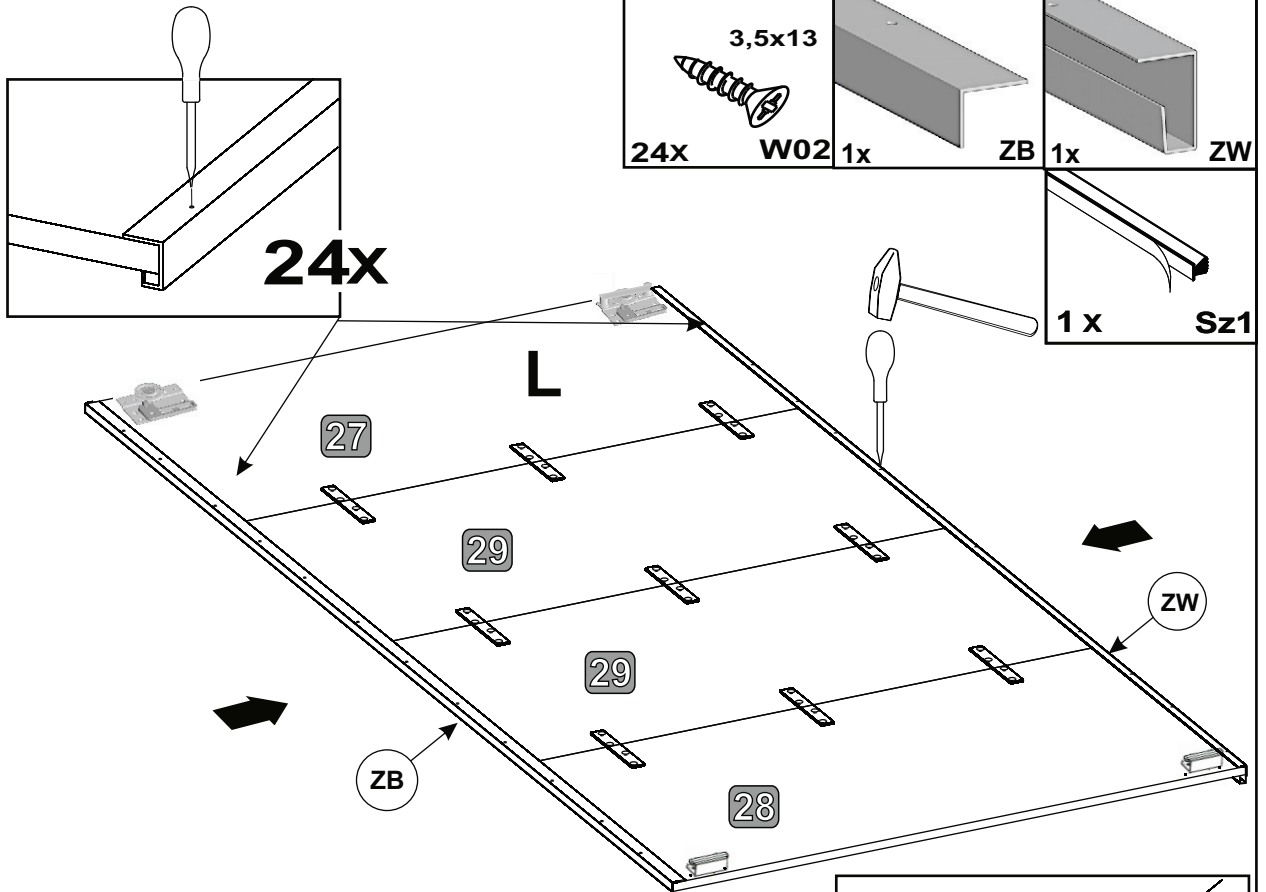
	36x W02
	14x W12



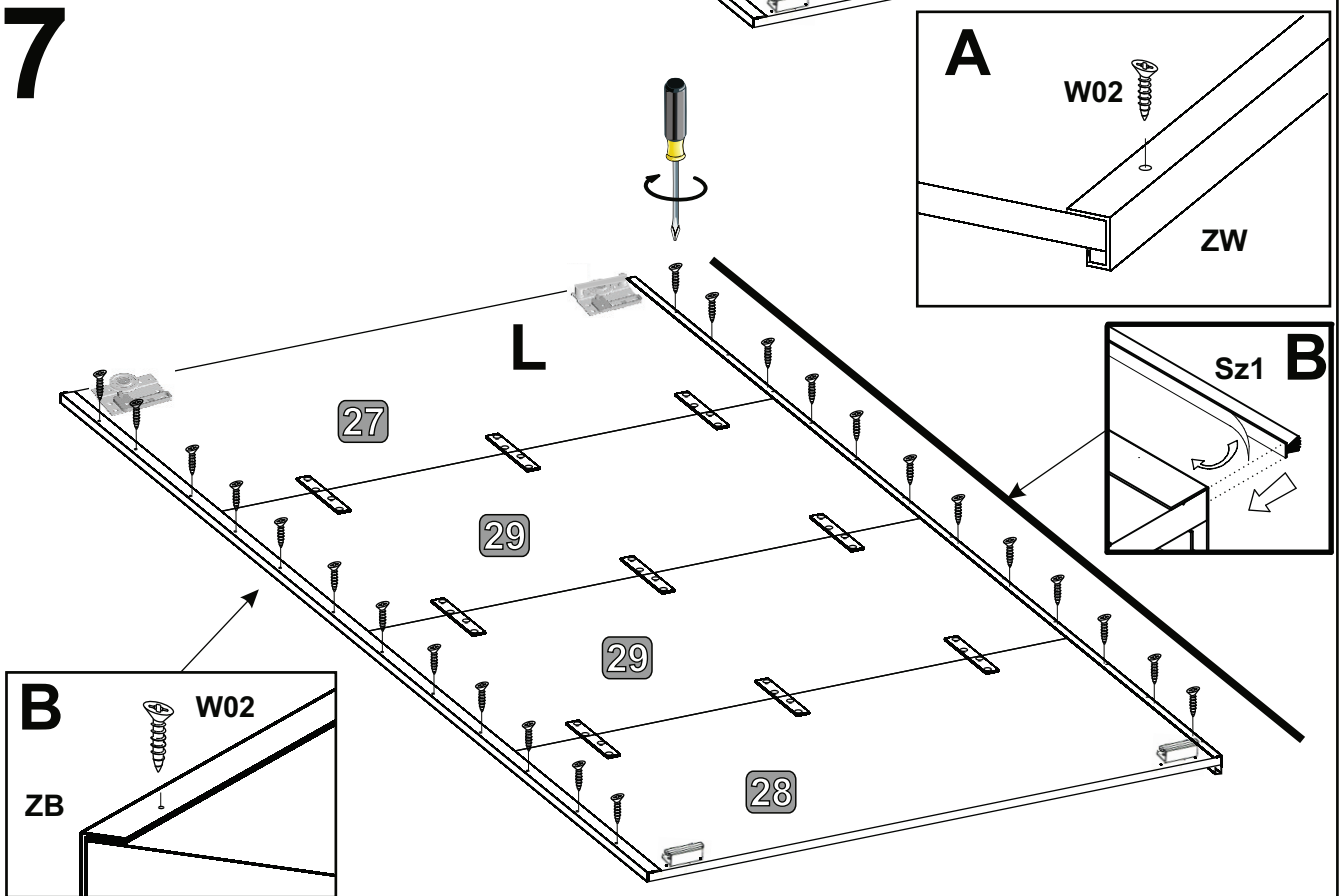
## 25



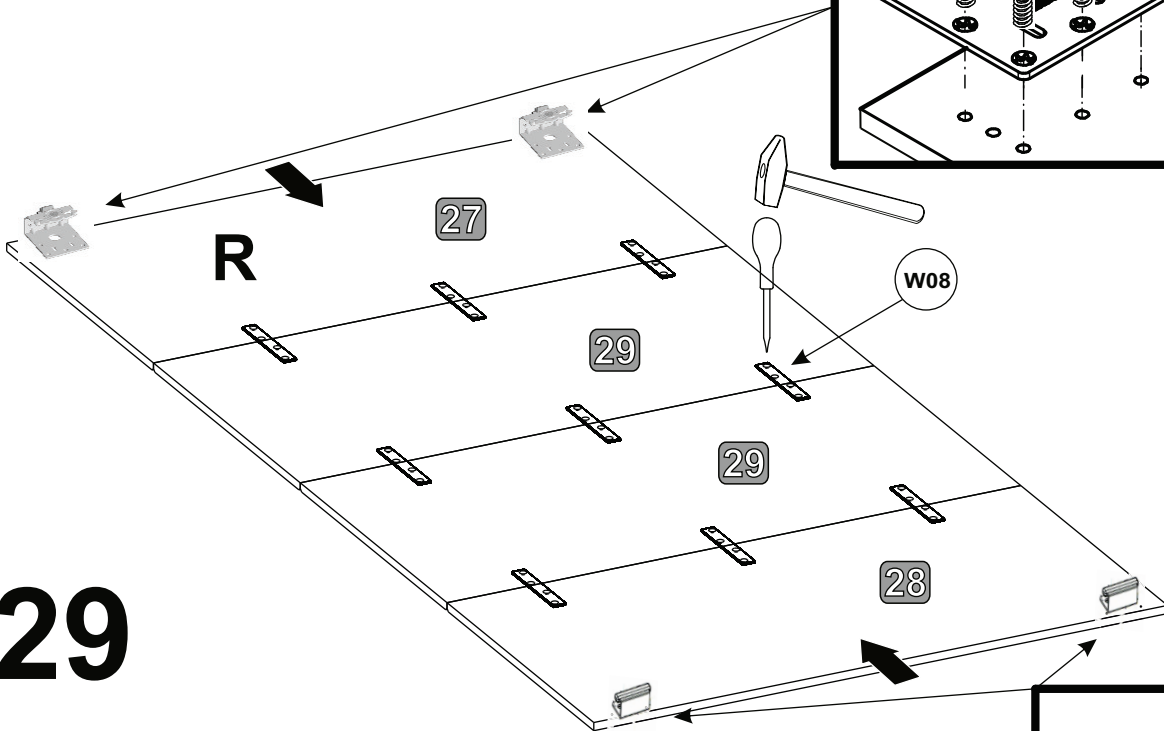
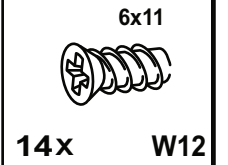
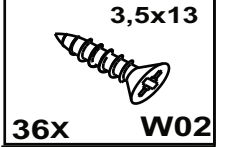
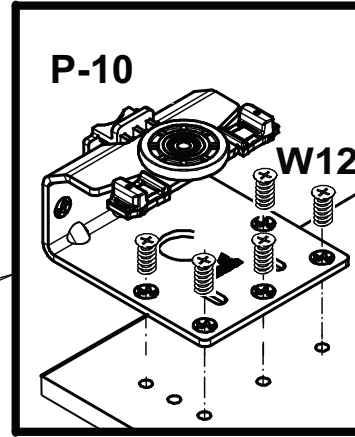
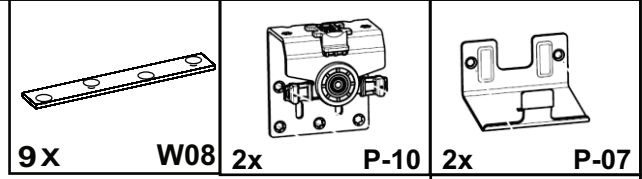
## 26



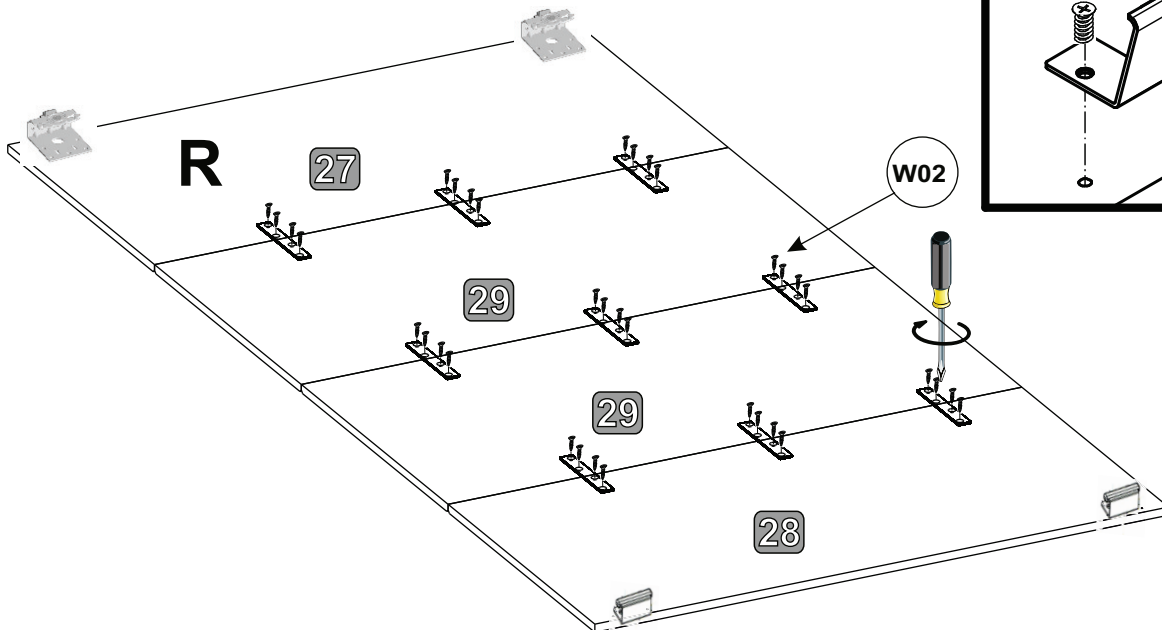
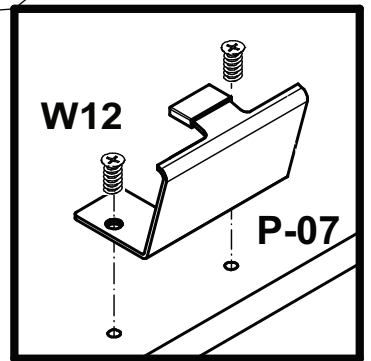
## 27



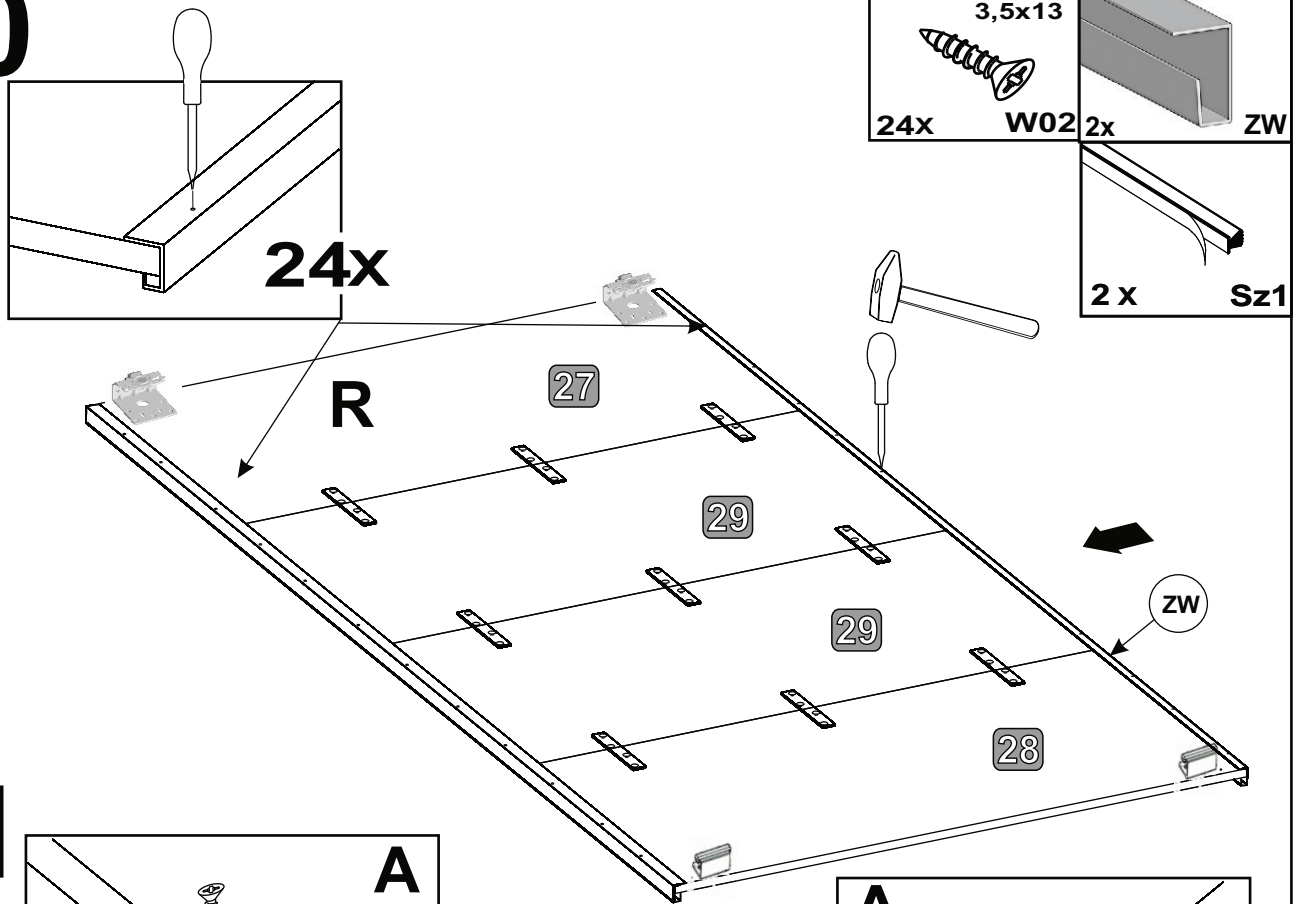
28



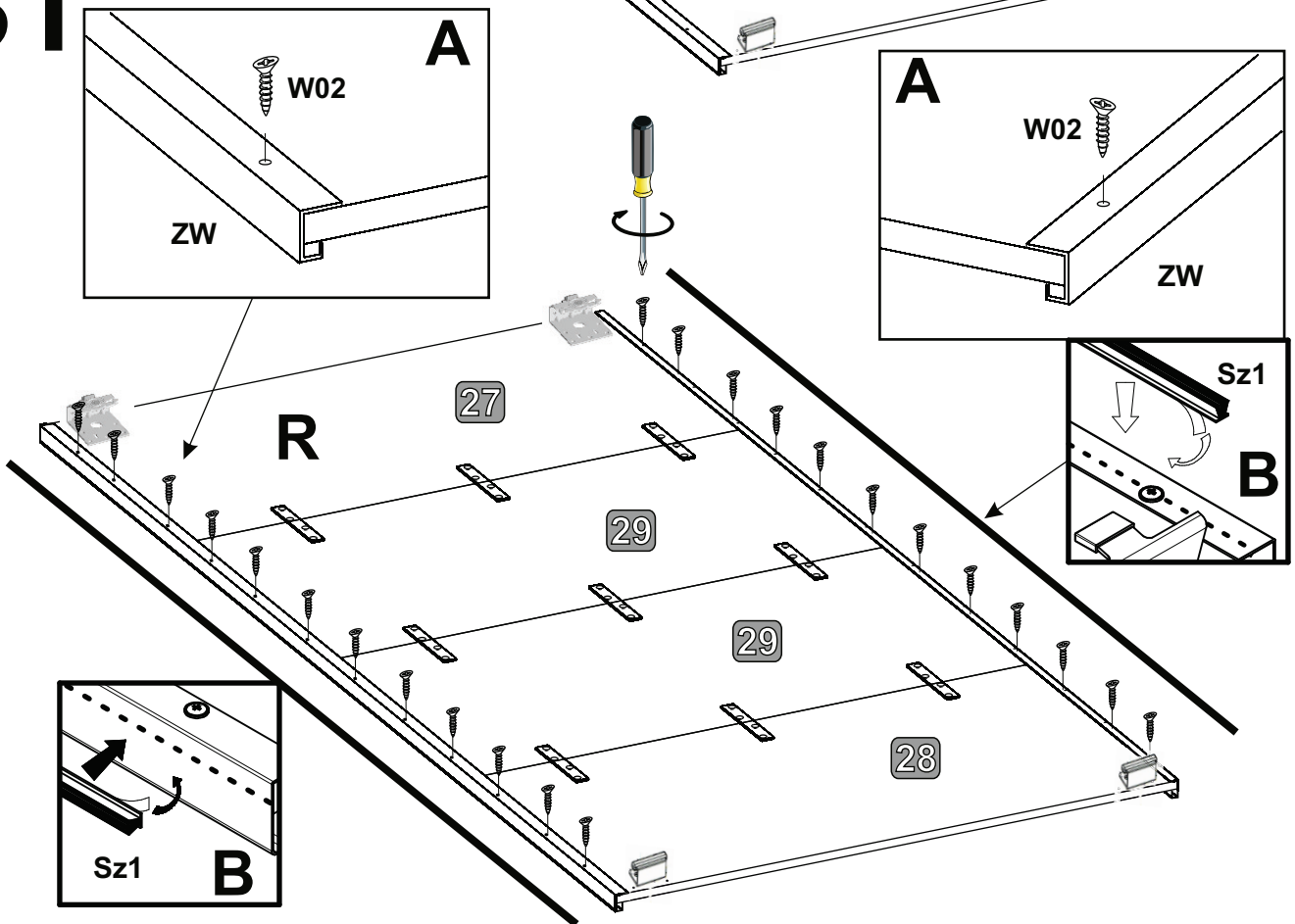
29



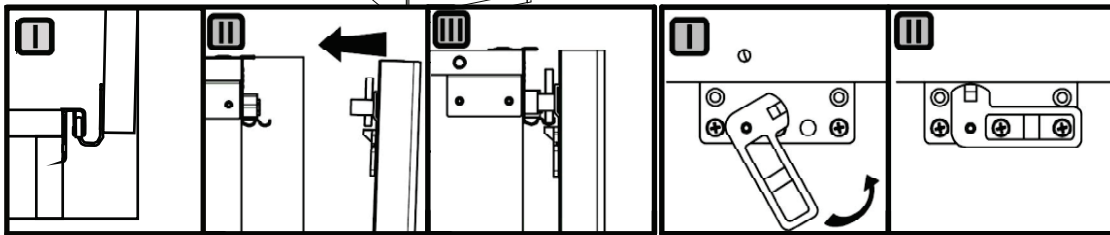
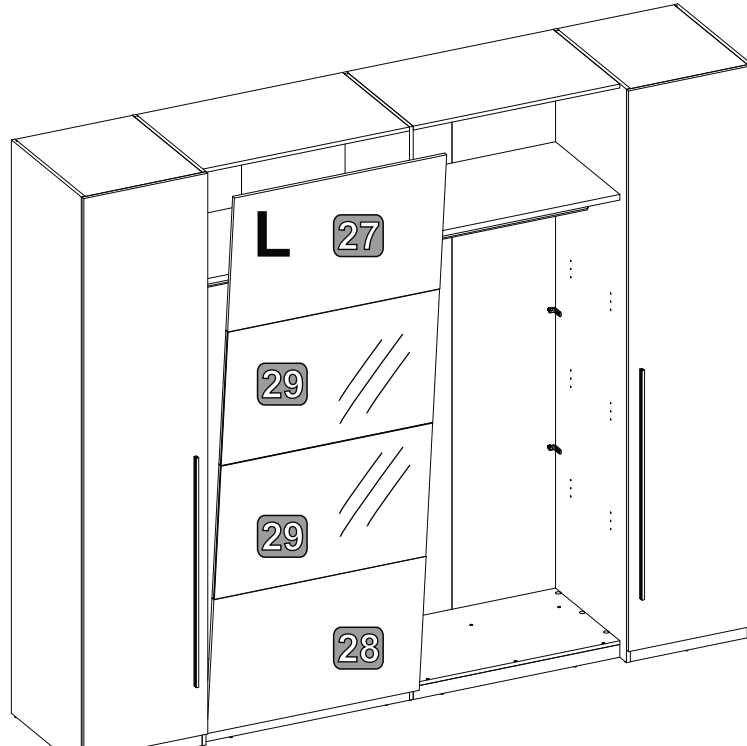
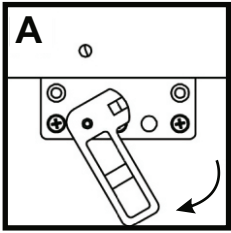
## 30



## 31



# 32



# 33

