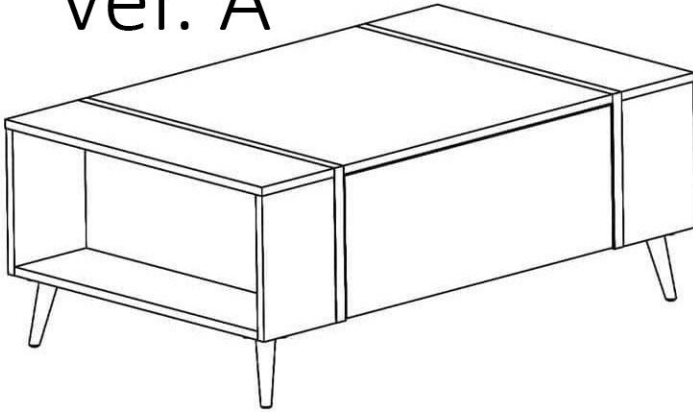
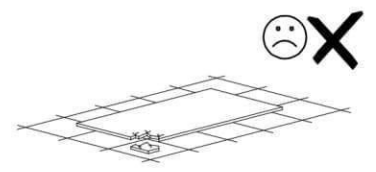
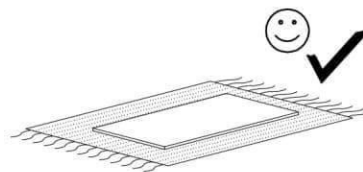
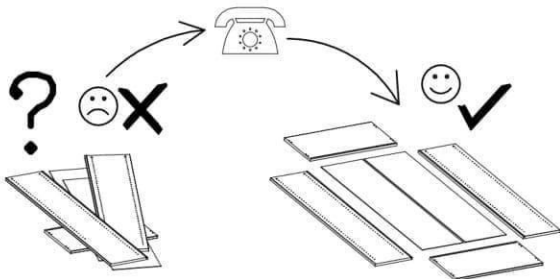
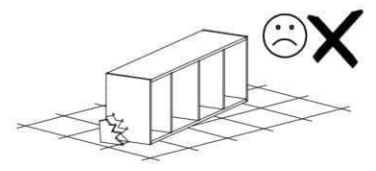
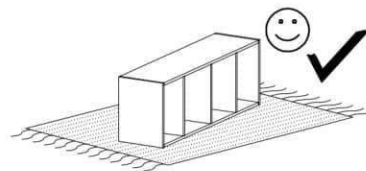
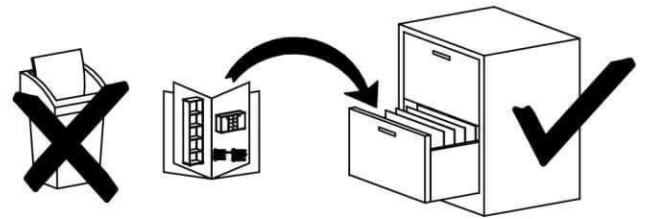
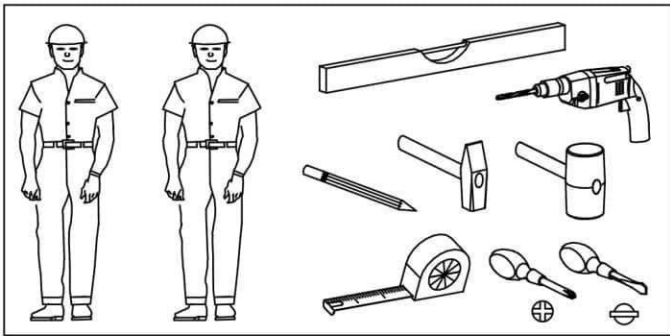
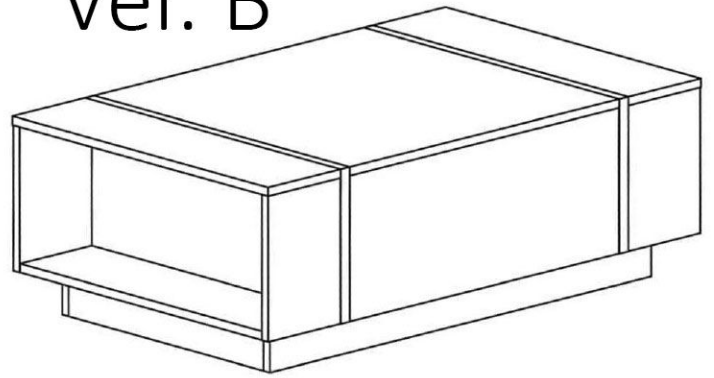


Onyx

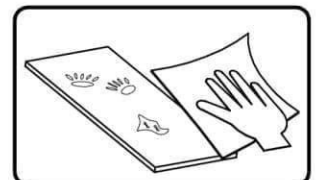
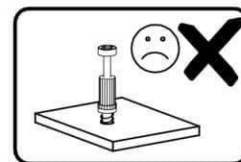
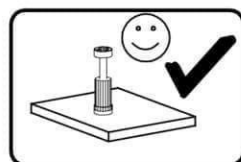
Ver. A



Ver. B



1,5h



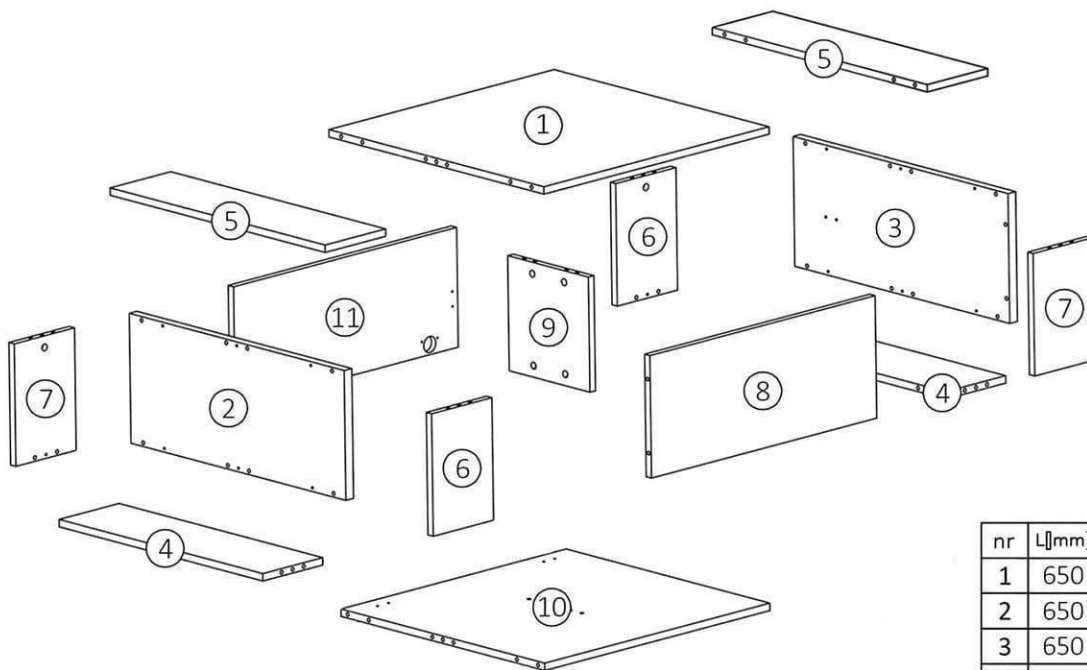
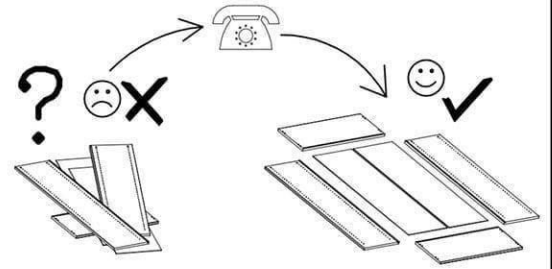
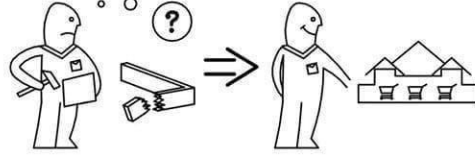
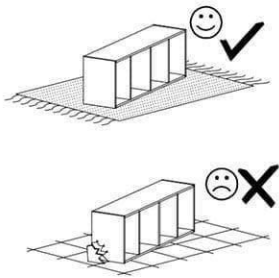
Name • Nom • Nome • Naam • Nazwa • Jméno
• Názov • Név • Denumire • Isim • Название

Nr • No • N° • Номер • Č • Sz

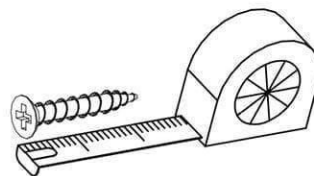
Typ • Type • Tip • Típus • Tipo • Tun

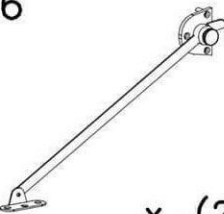

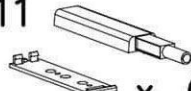

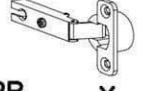
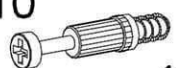




ONYX

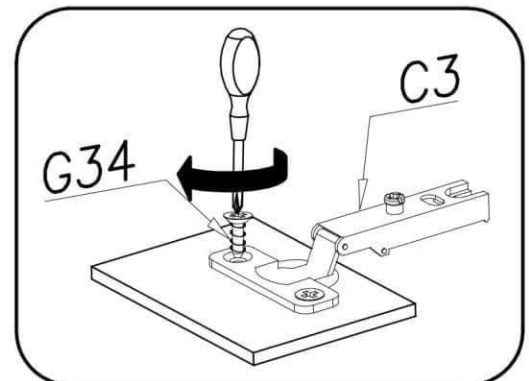
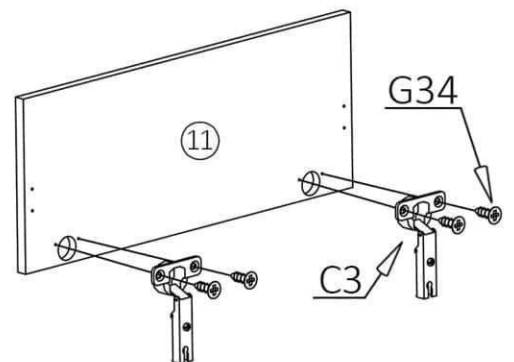
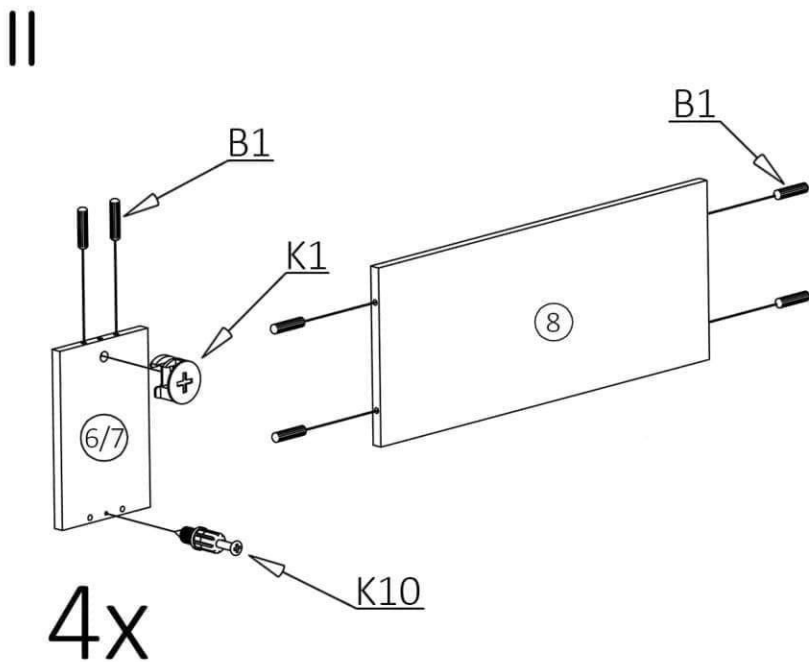
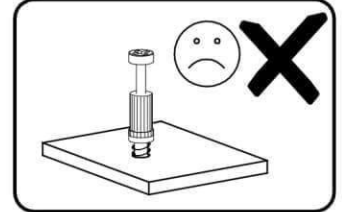
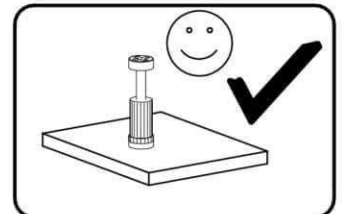
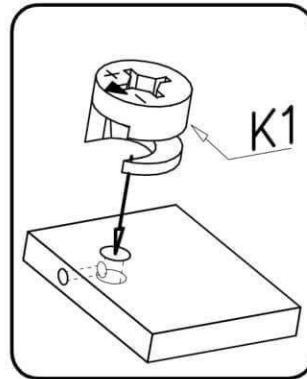
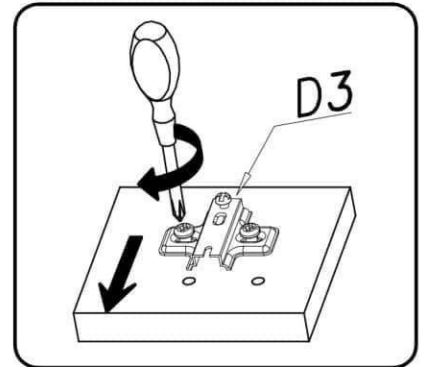
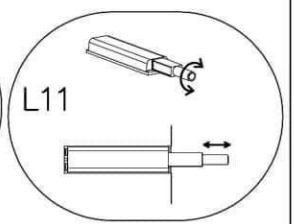
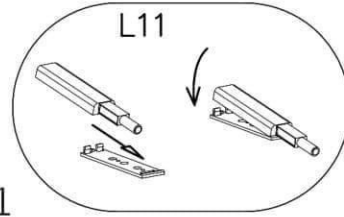
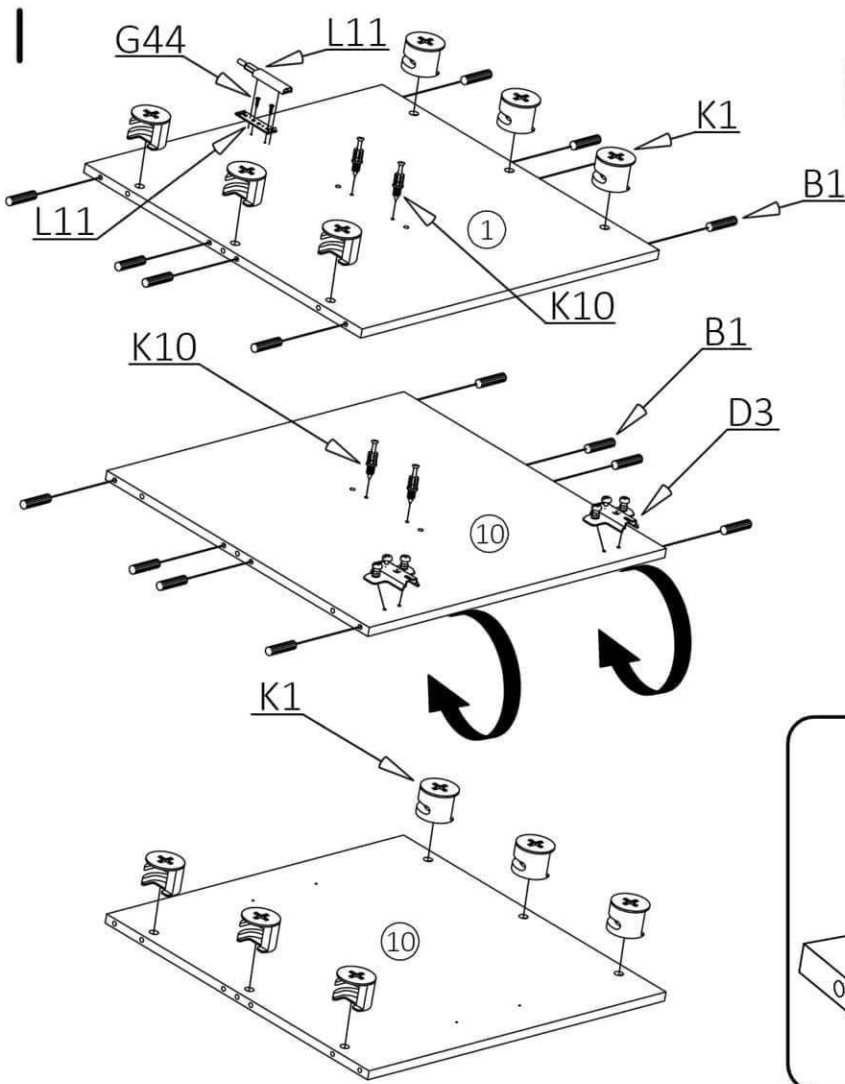
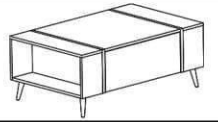
— —

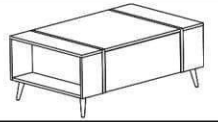


| nr | L[mm] | B[mm] | T[mm] | Menge | Collt |
|----|-------|-------|-------|-------|-------|
| 1 | 650 | 650 | 16 | 1 | 1/1 |
| 2 | 650 | 281 | 22 | 1 | 1/1 |
| 3 | 650 | 281 | 22 | 1 | 1/1 |
| 4 | 616 | 173 | 16 | 2 | 1/1 |
| 5 | 650 | 175 | 16 | 2 | 1/1 |
| 6 | 265 | 174 | 16 | 2 | 1/1 |
| 7 | 265 | 174 | 16 | 2 | 1/1 |
| 8 | 650 | 265 | 16 | 1 | 1/1 |
| 9 | 249 | 244 | 16 | 1 | 1/1 |
| 10 | 650 | 616 | 16 | 1 | 1/1 |
| 11 | 644 | 259 | 16 | 1 | 1/1 |



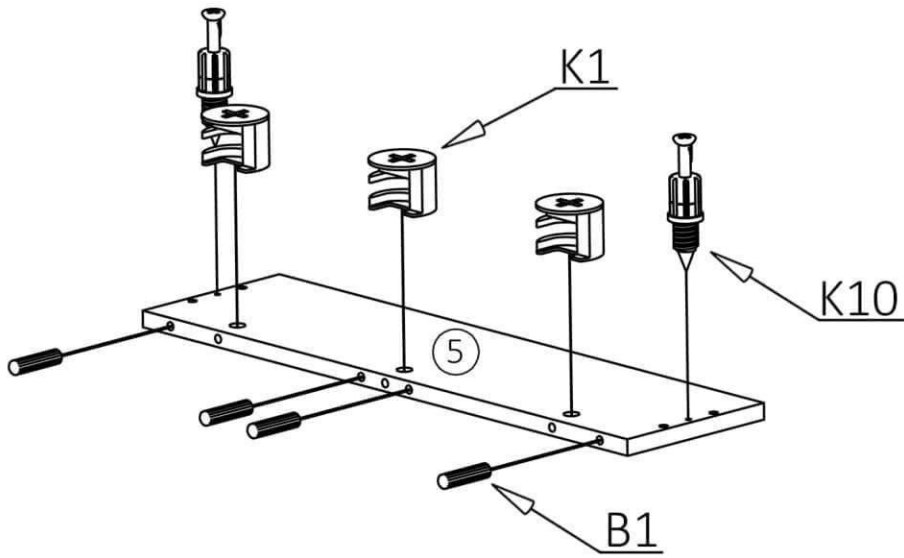
| | | | | |
|--------------------------------------------------------------------------------------------------------|-------------------------------------------------------------------------------------------------------------|--------------------------------------------------------------------------------------------------------------|------------------------------------------------------------------------------------------------------------------------|---------------------------------------------------------------------------------------------------------------|
| L6  x...(2) | B1  ø8x35 x...(60) | L11  x...(1) | G44  3,5x13 x...(2) | C3  Z35PR x...(2) |
| K10  x...(36) | I7  x...(36) | K1  ø15x12 x...(36) | G4  Ver. A 4x16 x...(16) | D3  PZ35PR x...(2) |



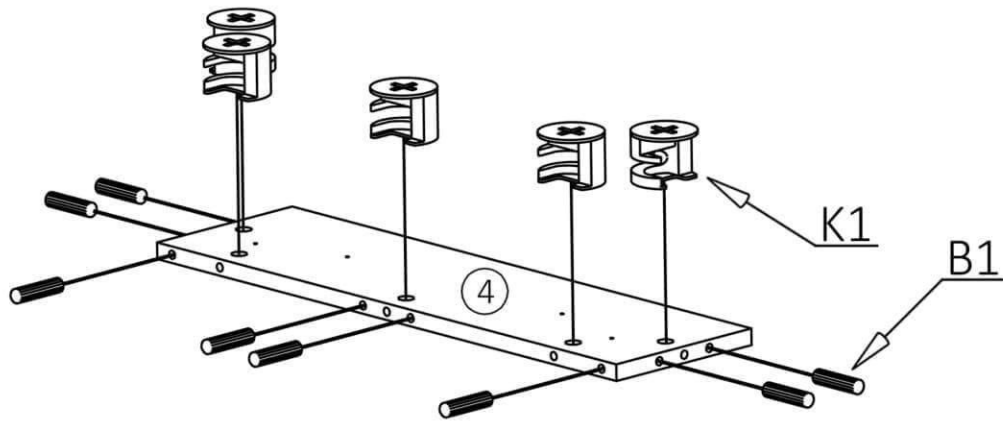


III

2x

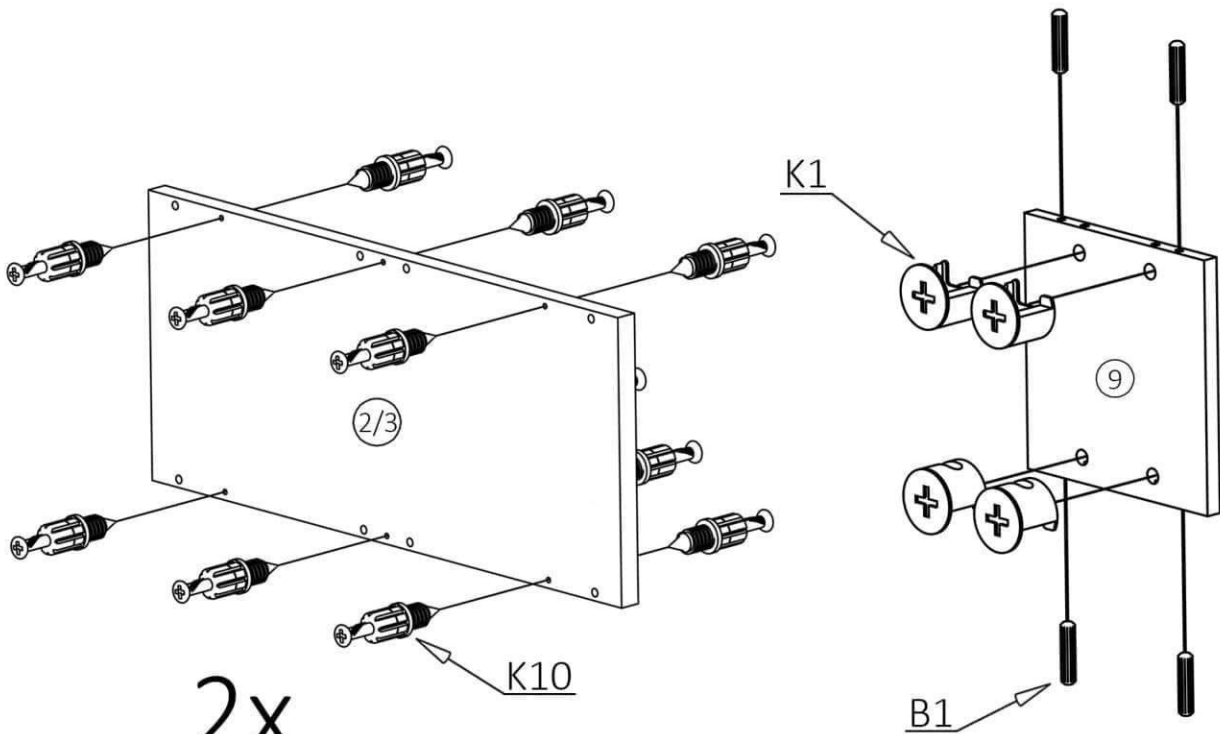


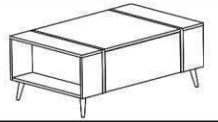
2x



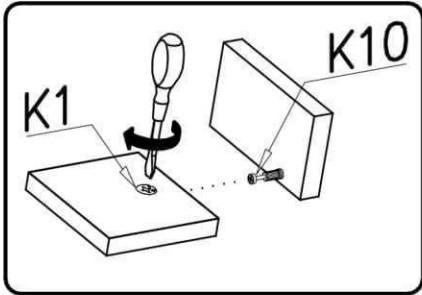
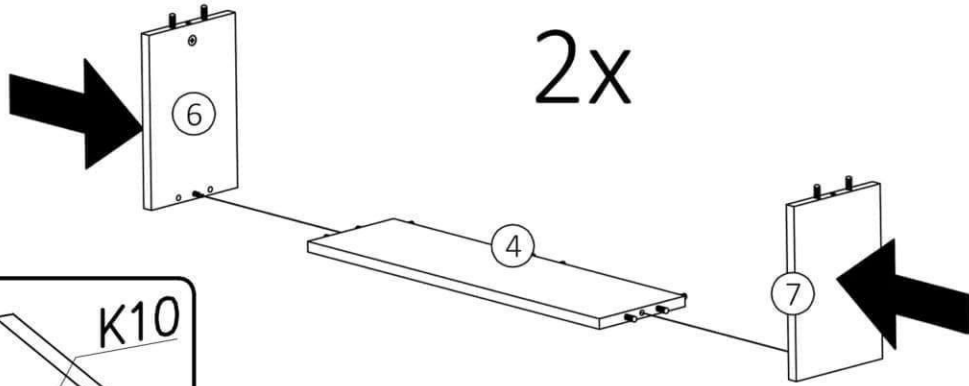
IV

2x



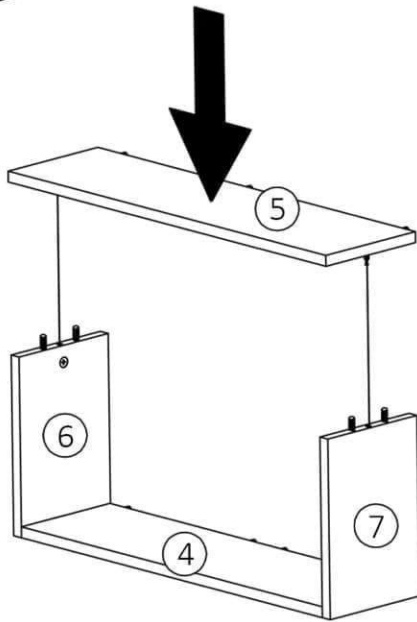


V

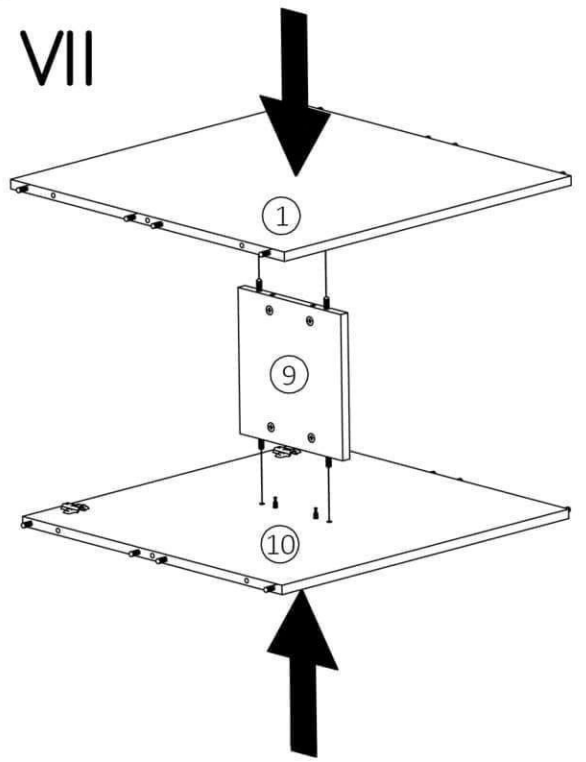


VI

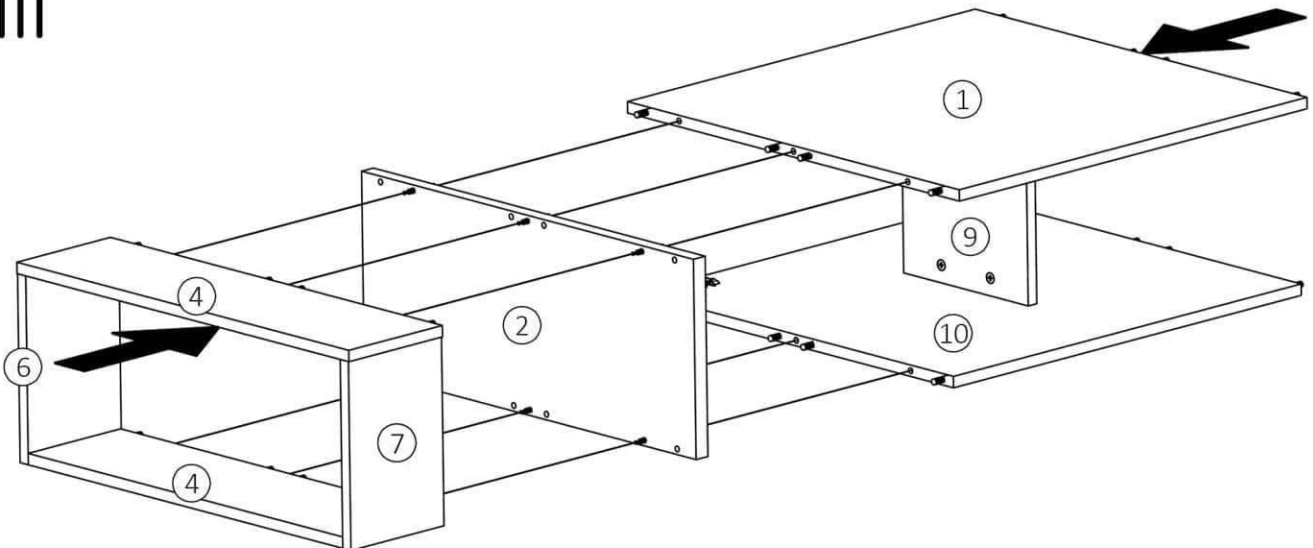
2x



VII

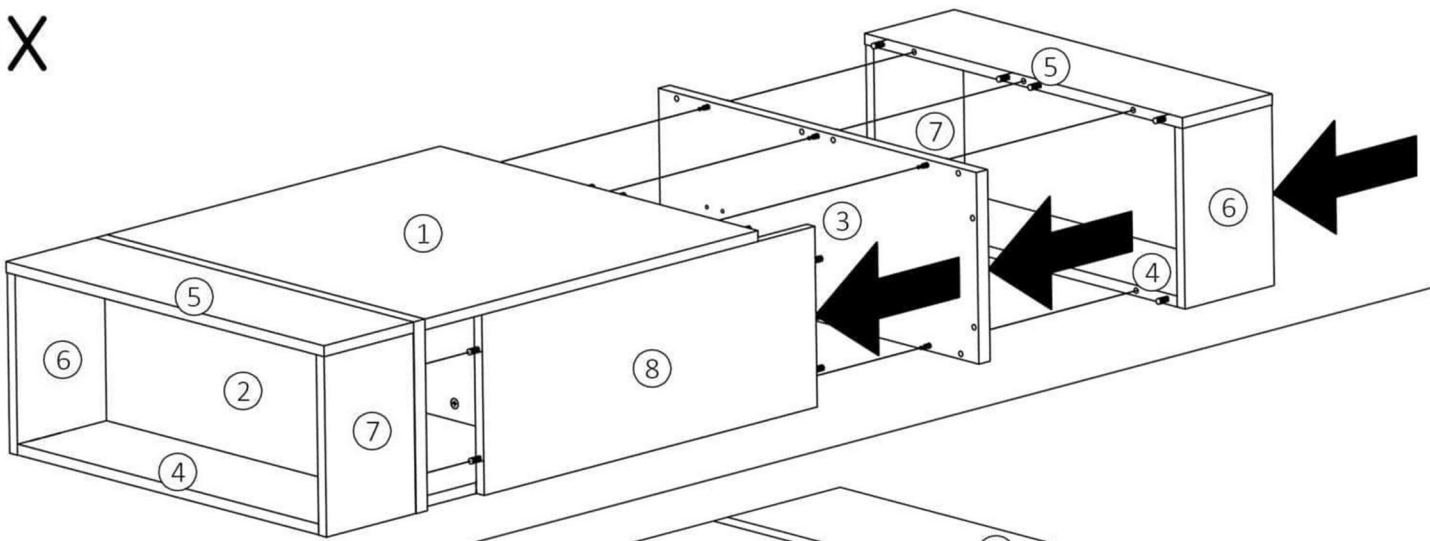


VIII

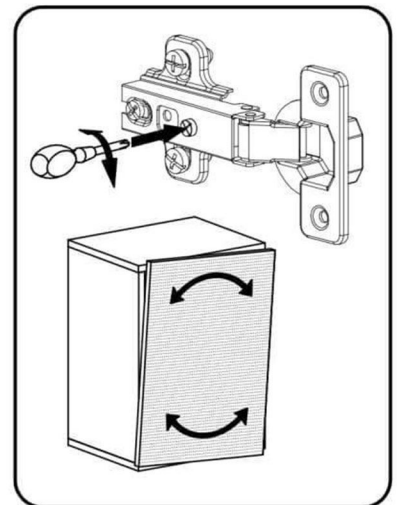
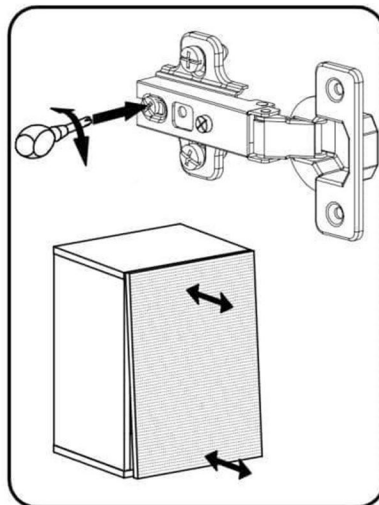
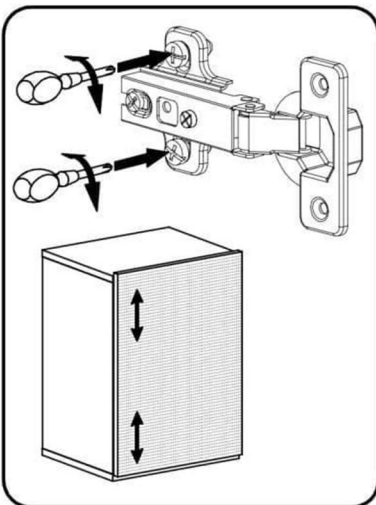
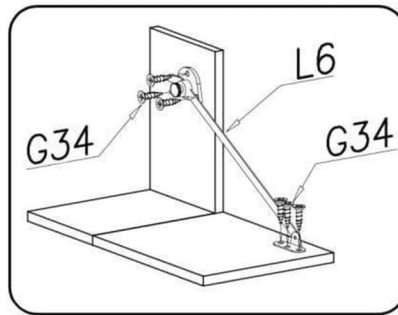
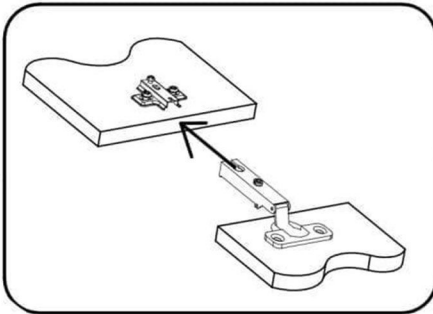
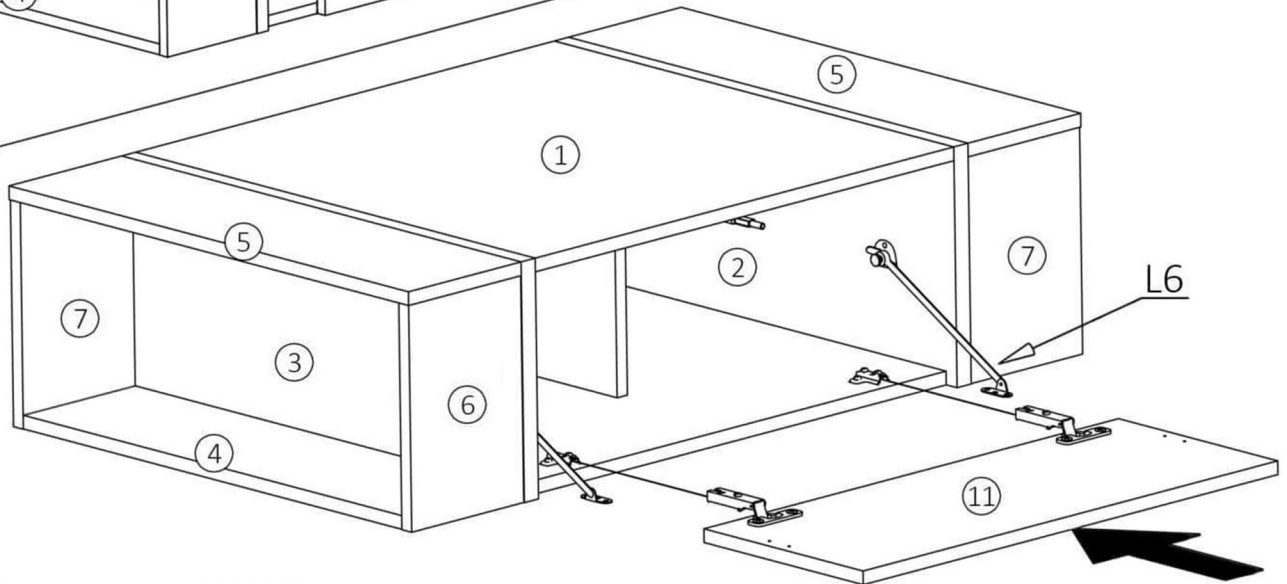


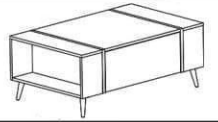


IX

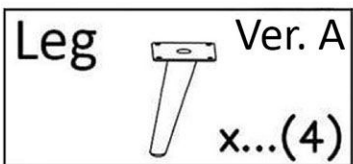
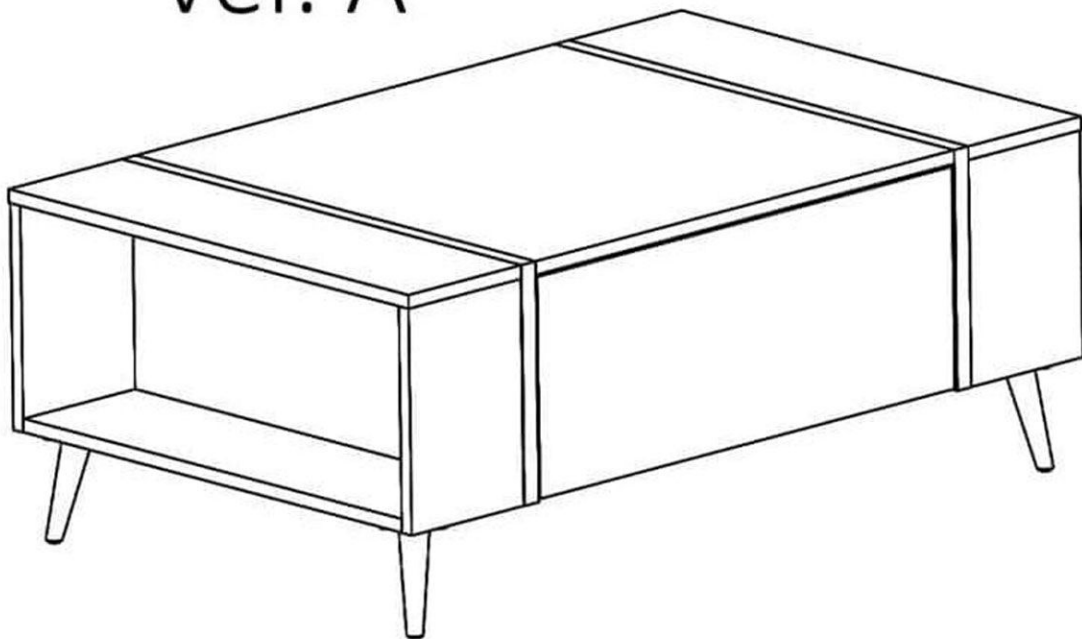


X



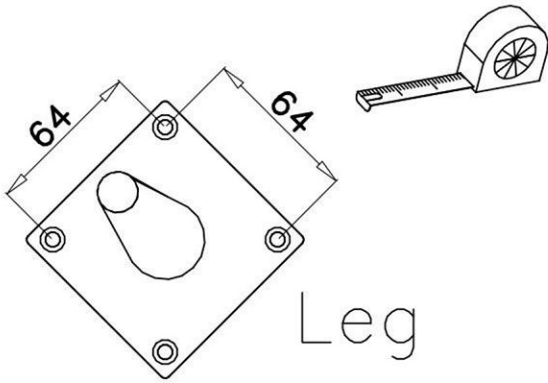


Ver. A

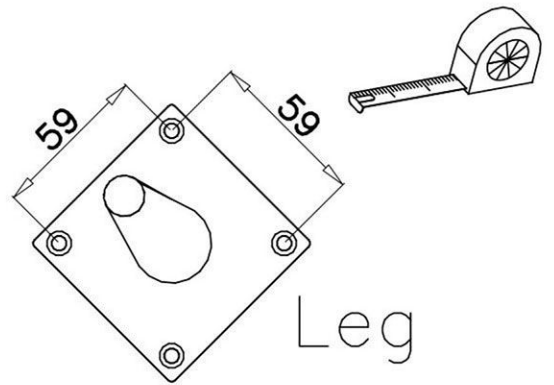




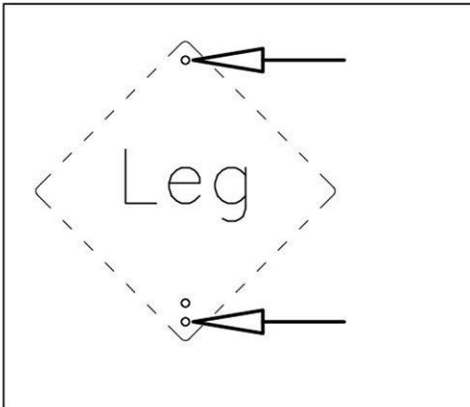
I



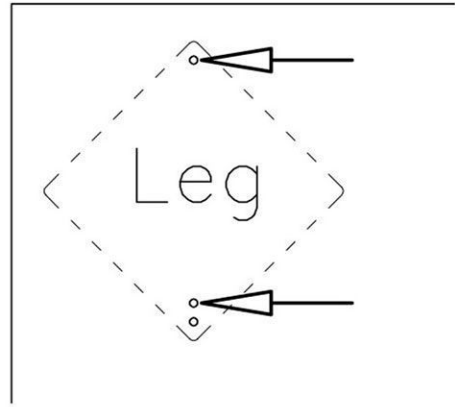
Leg



Leg

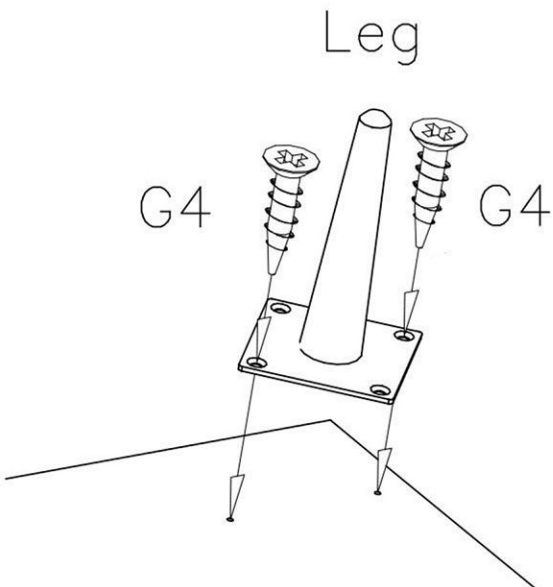


Leg



Leg

II

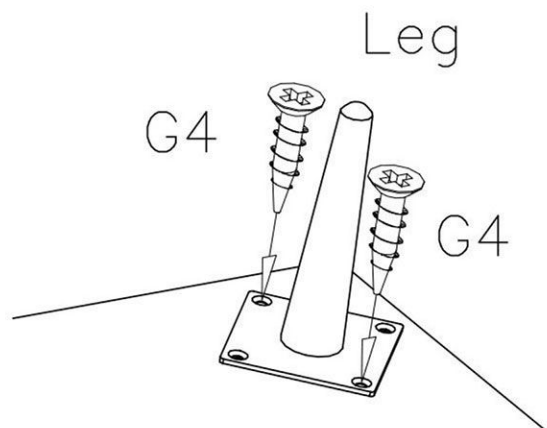


Leg

G4

G4

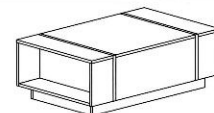
III



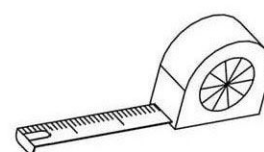
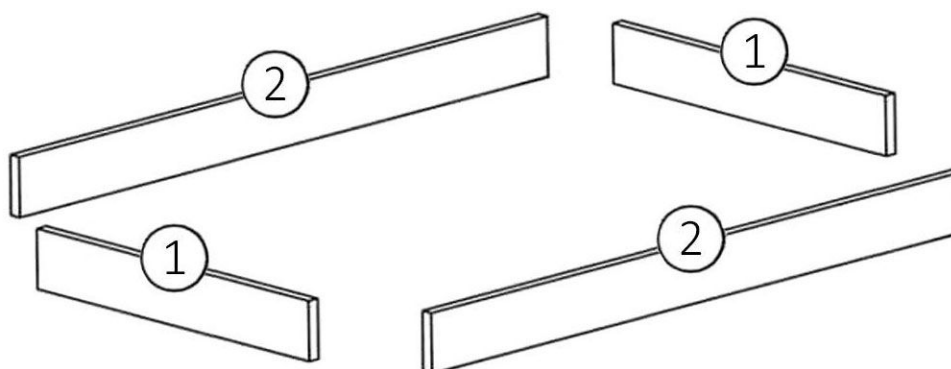
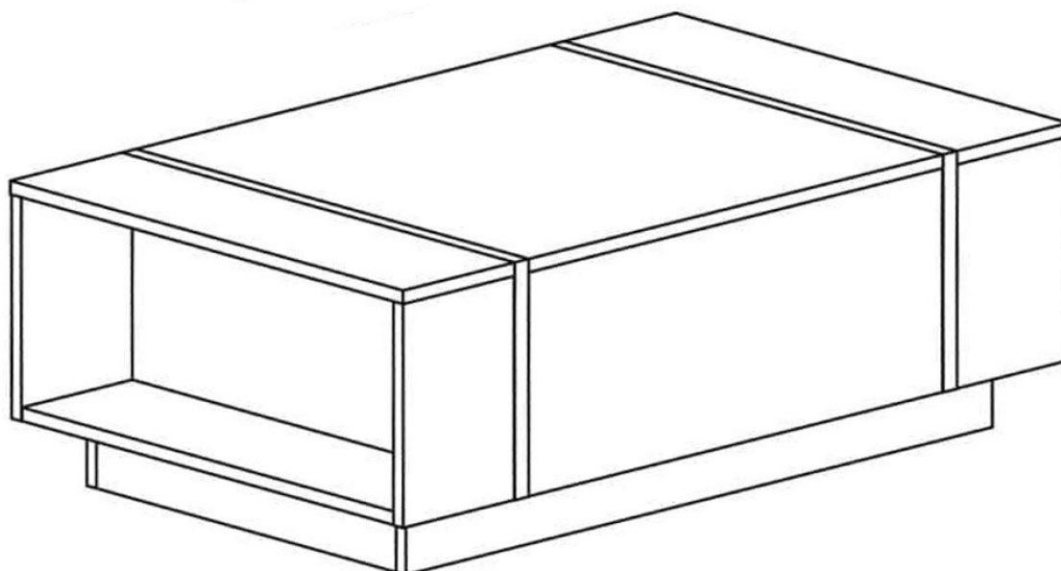
Leg

G4

G4



Ver. B



G34



P4



F15



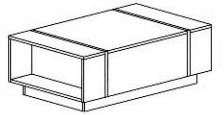
3,5x16

x...(64)

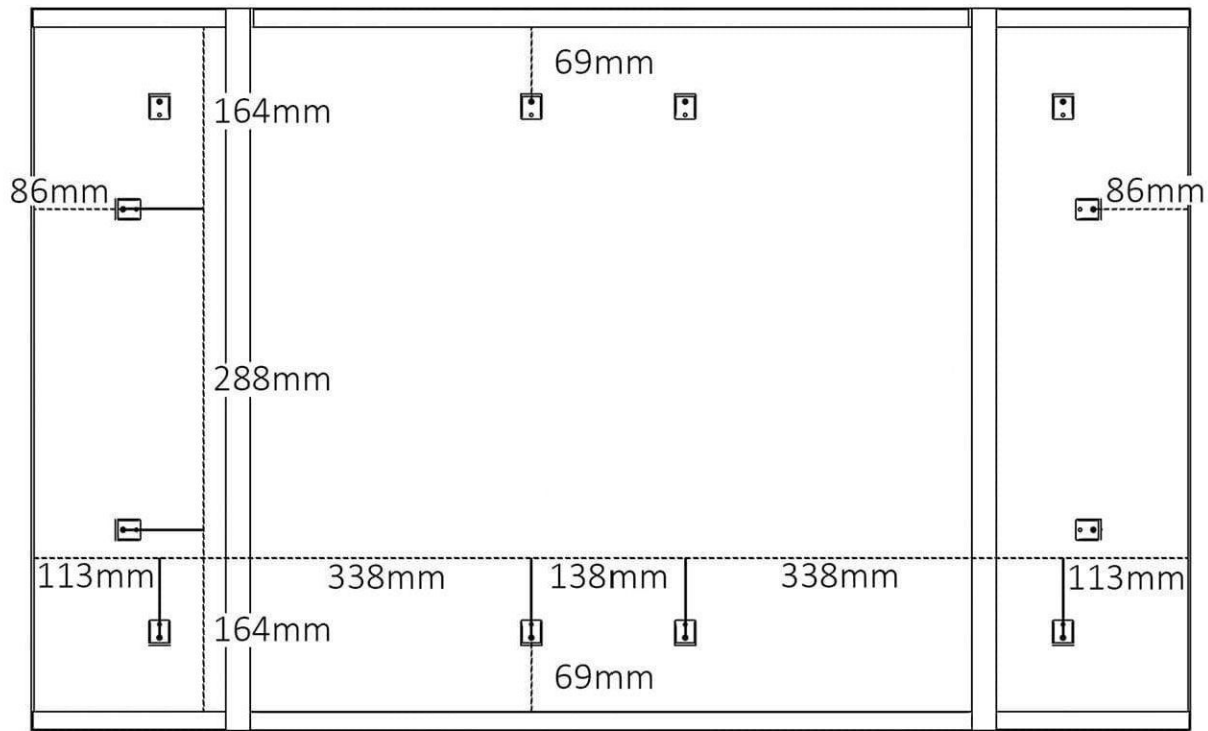
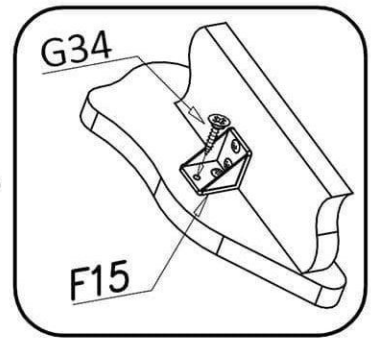
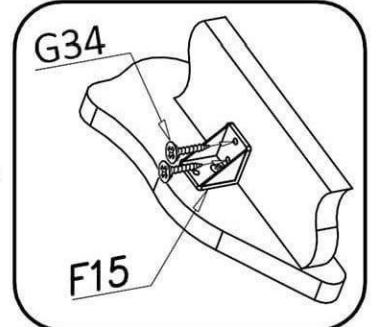
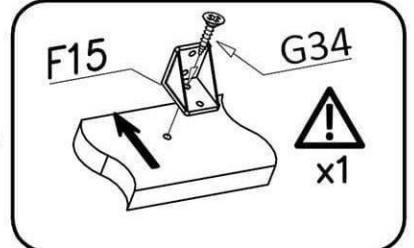
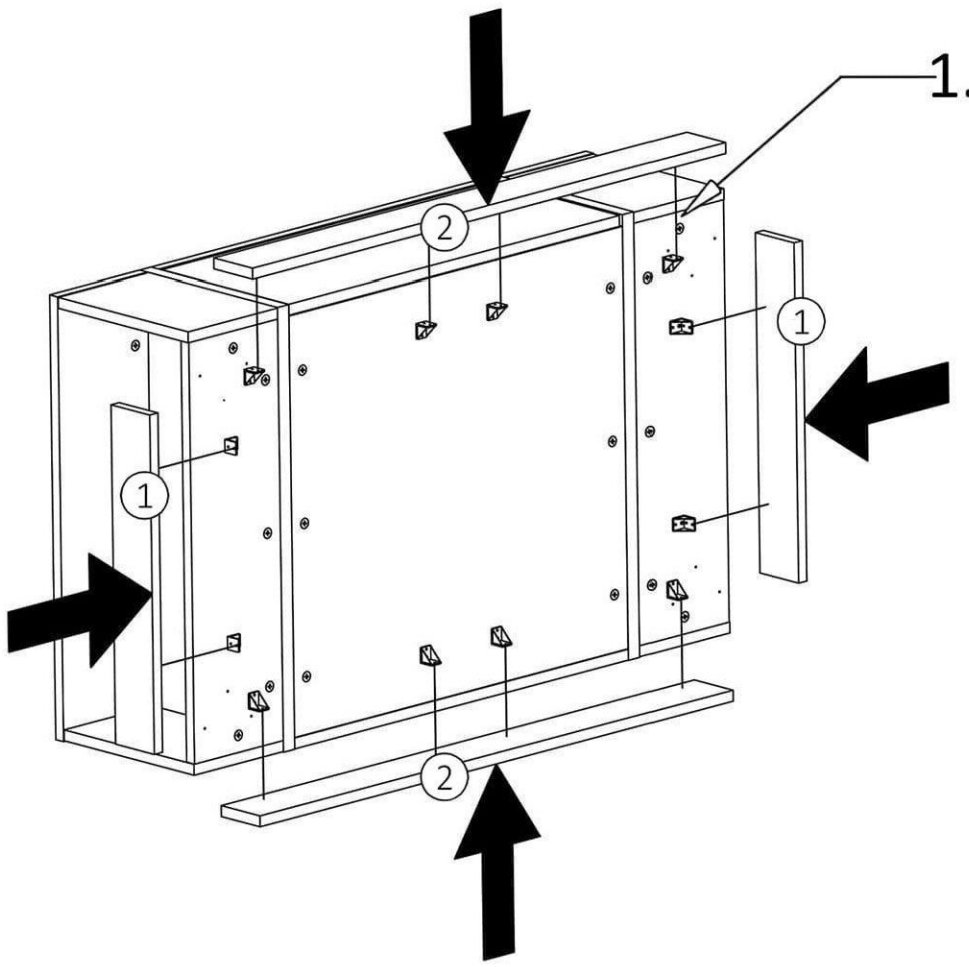
x...(12)

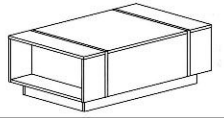
x...(16)

| nr | L[mm] | B[mm] | T[mm] | Menge | Colli |
|----|-------|-------|-------|-------|-------|
| 1 | 496 | 79 | 16 | 2 | 1/1 |
| 2 | 920 | 79 | 16 | 2 | 1/1 |



I





II

