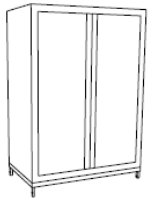
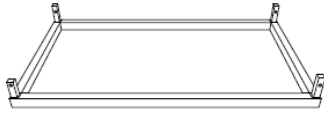


ASSEMBLY INSTRUCTION 69081



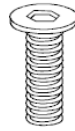
AX 1



BX 2



CX 4



DX 8

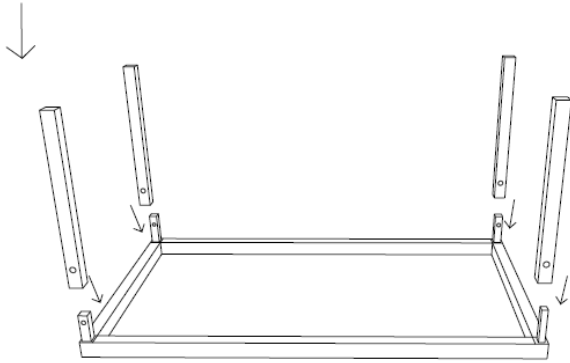


EX 8

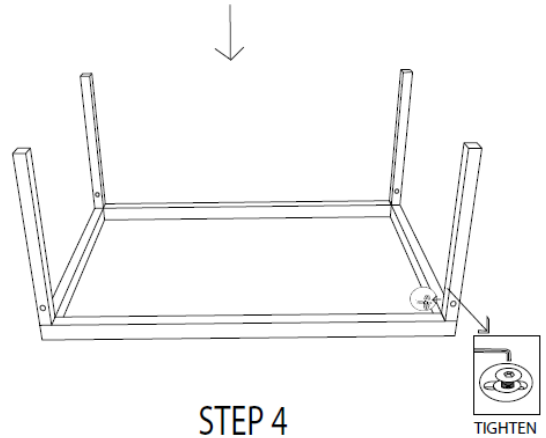


FX 1

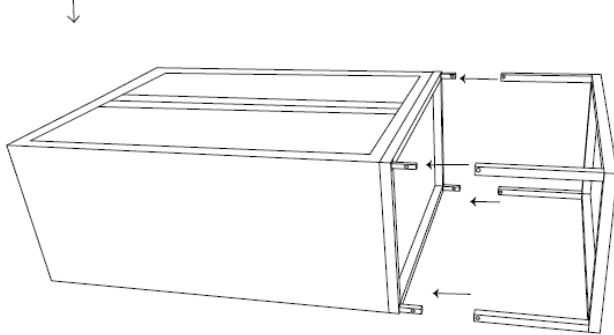
STEP 1



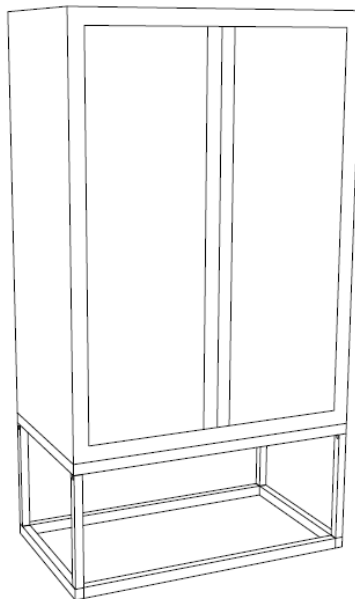
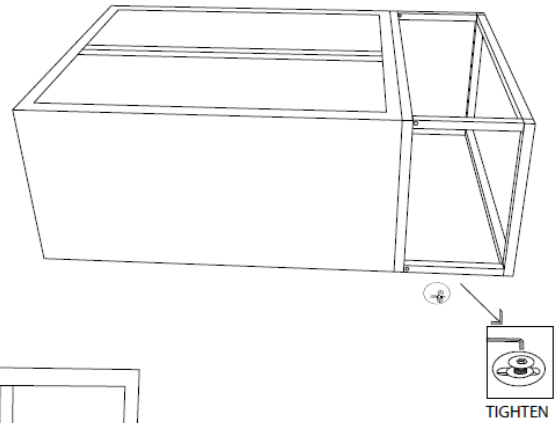
STEP 2



STEP 3



STEP 4



ASSEMBLY COMPLETE