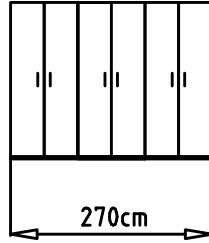
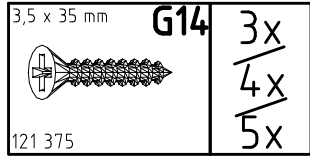
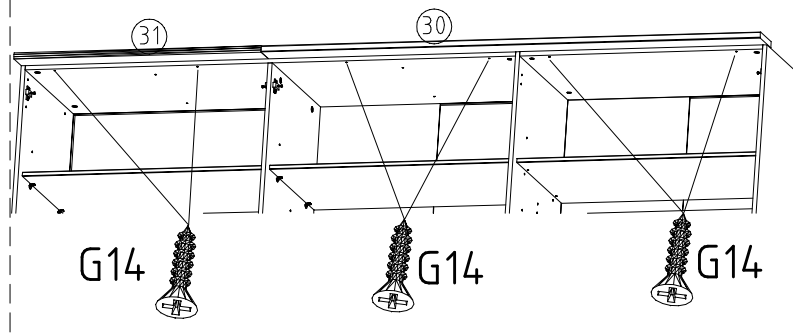
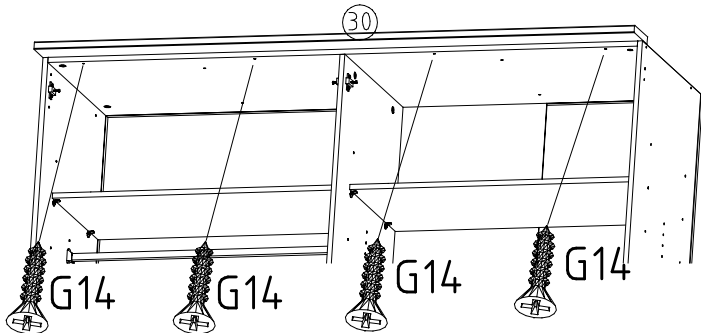
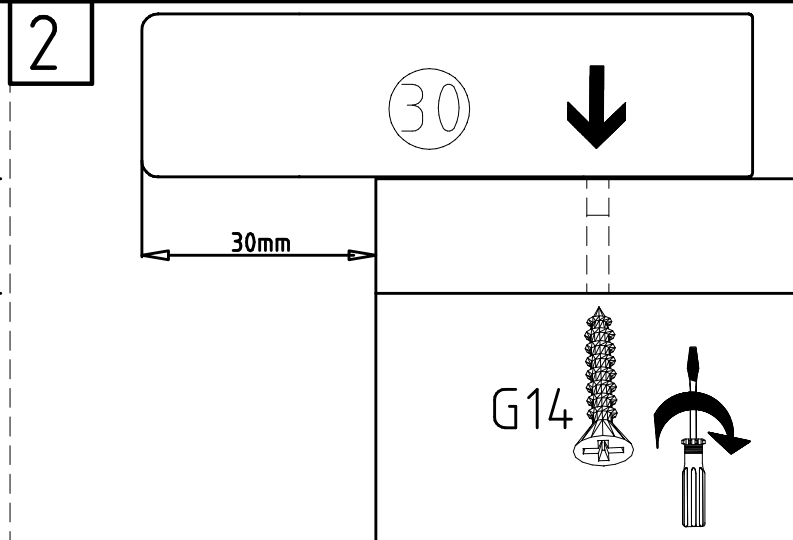
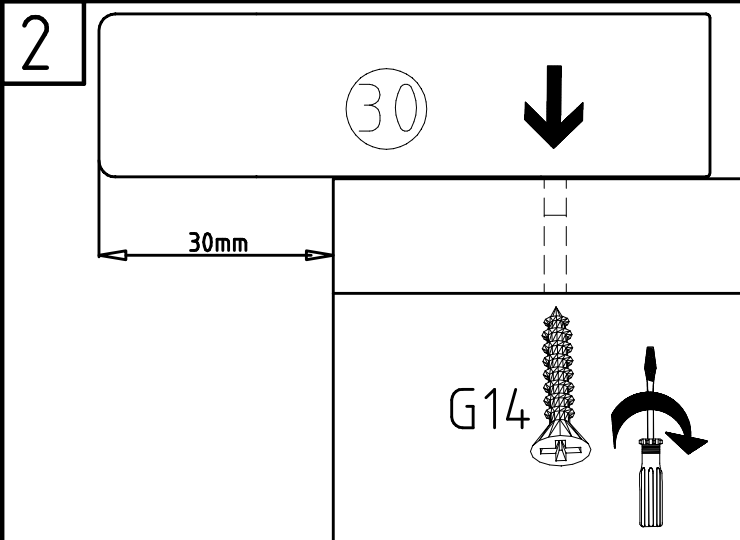
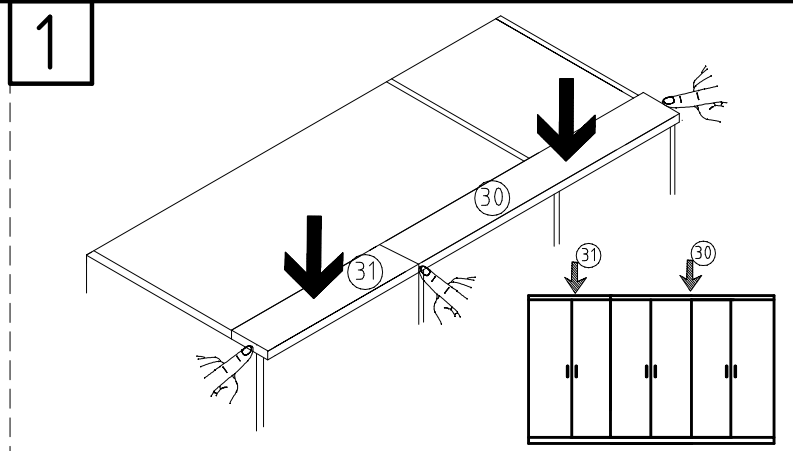
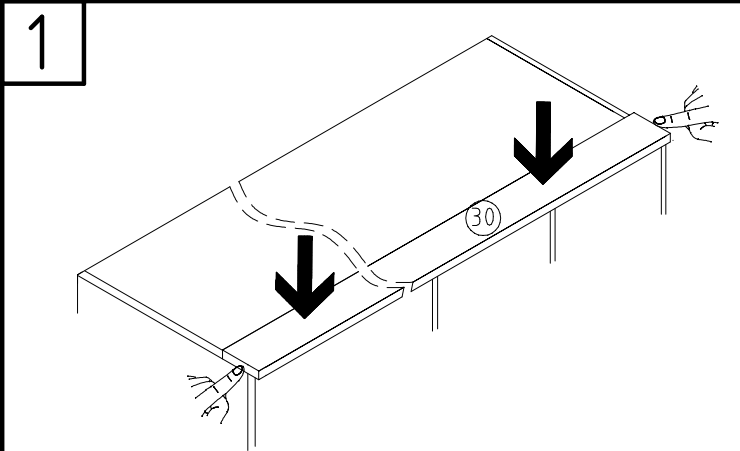
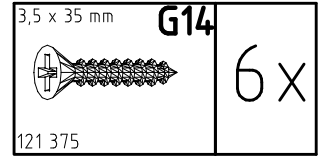
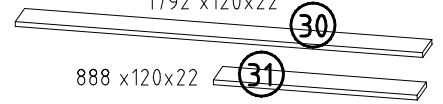


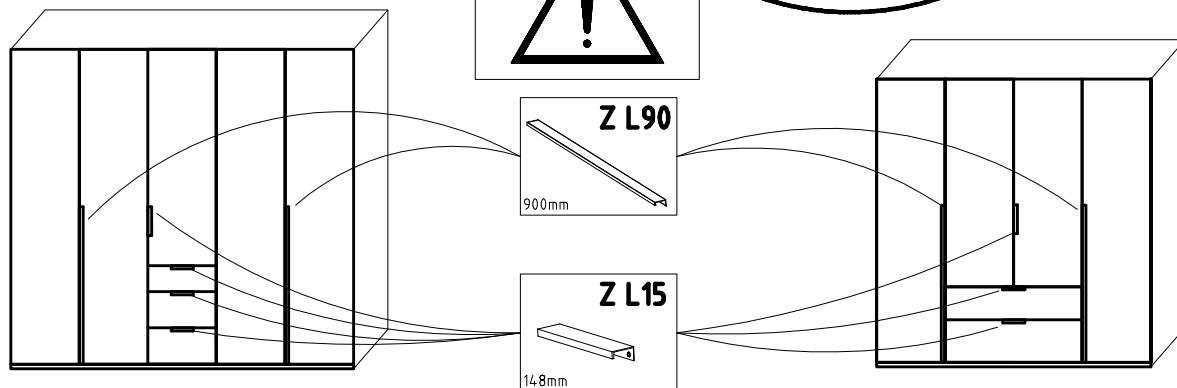
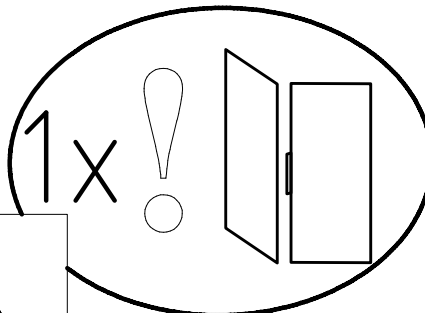
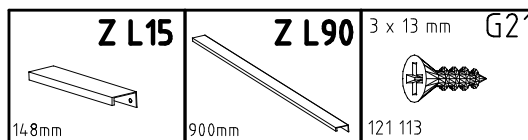
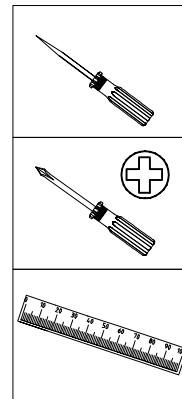
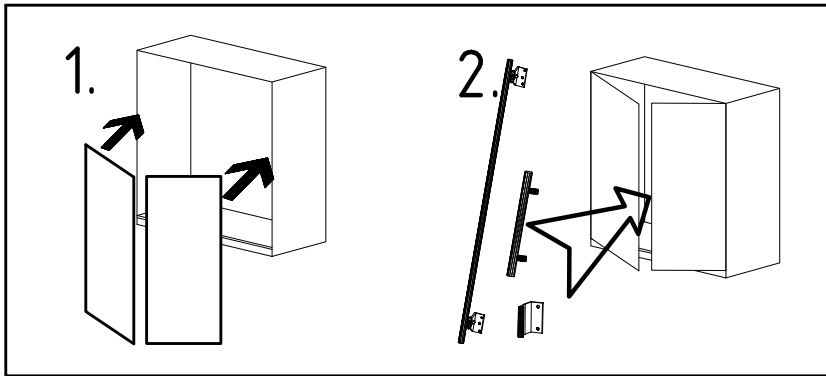
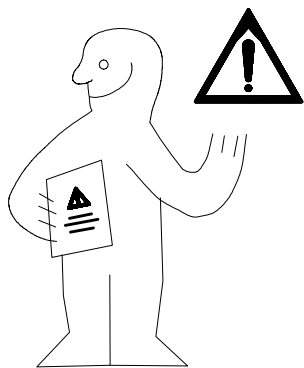
1348/ 1792/ 2236 x120x22



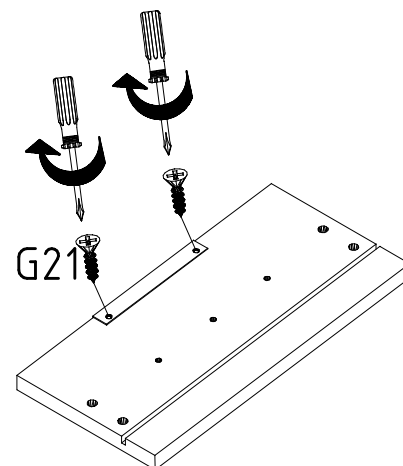
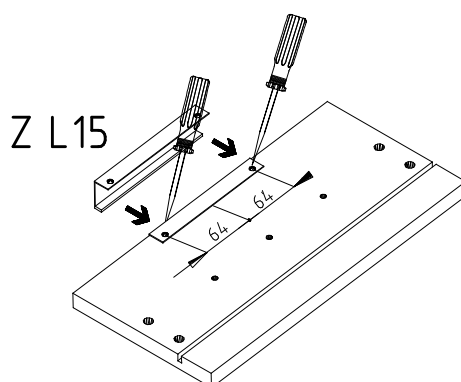
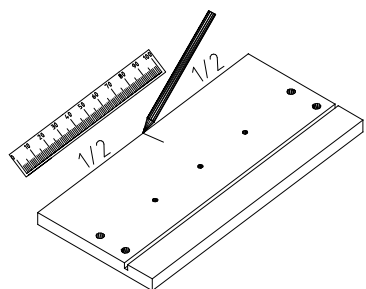
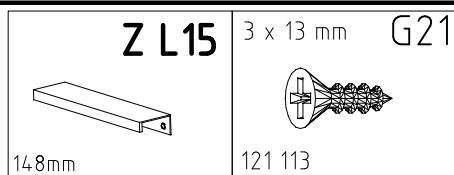
1792 x120x22



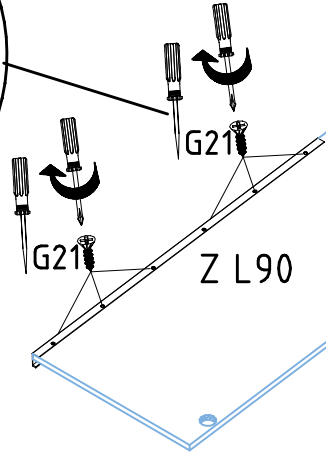
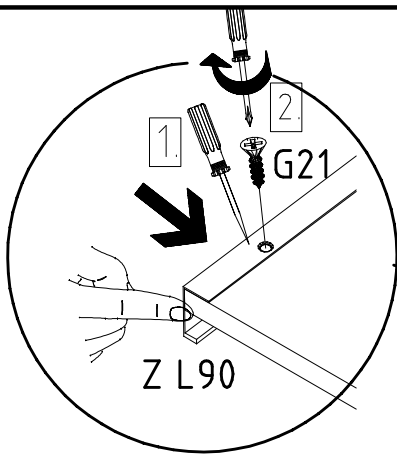
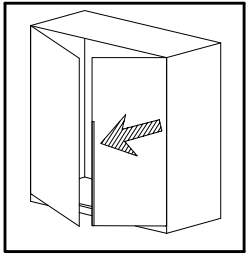
980304



1



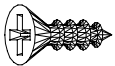
2



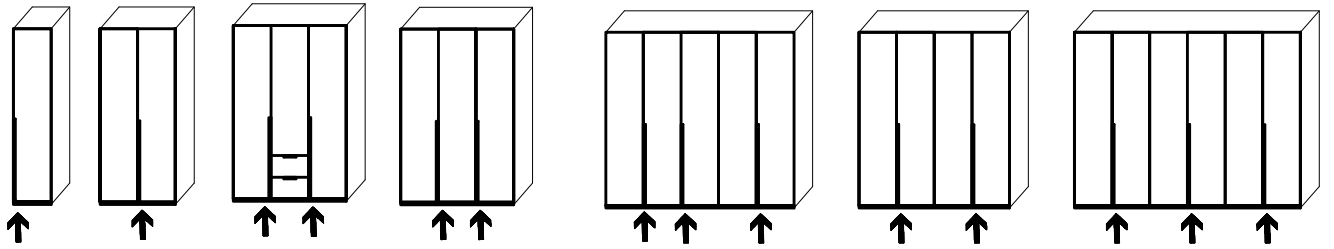
Z L90

900mm

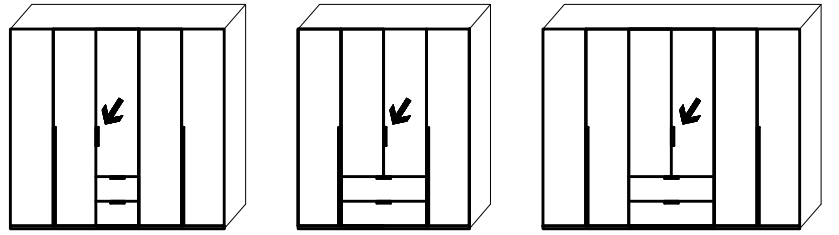
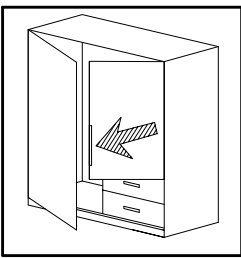
3 x 13 mm G21



121 113



3

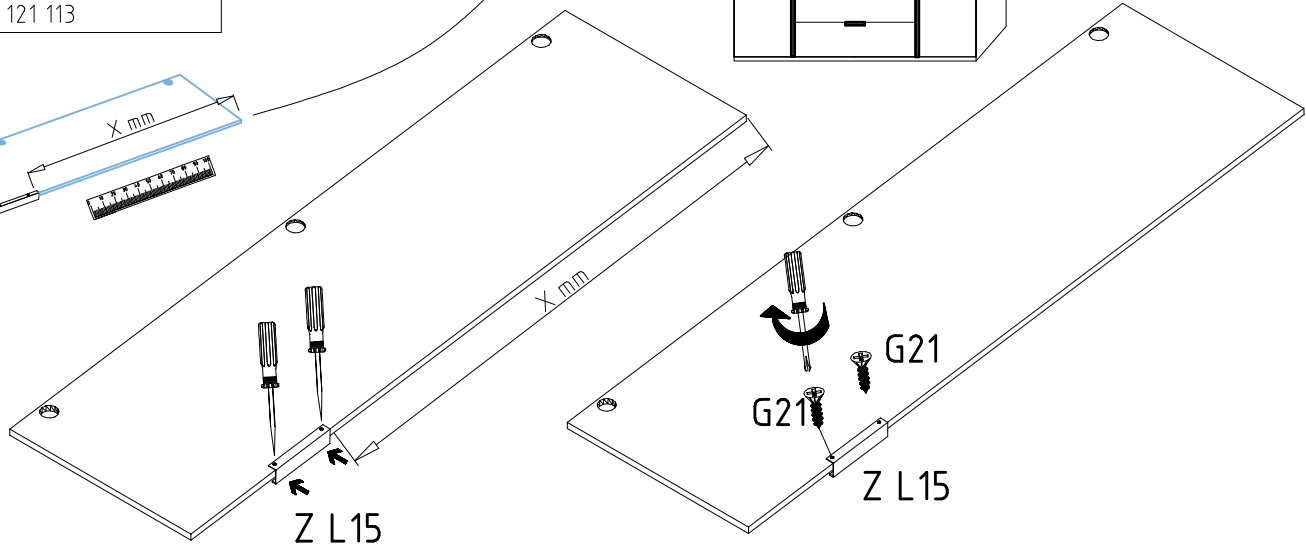
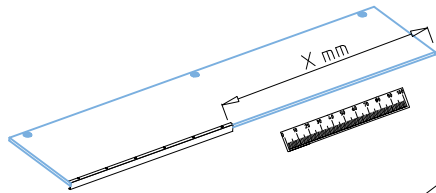
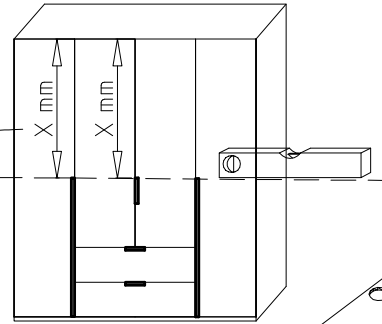
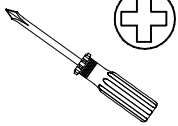
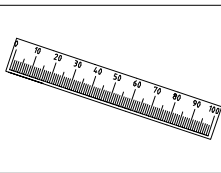


Z L15

148mm

3 x 13 mm G21

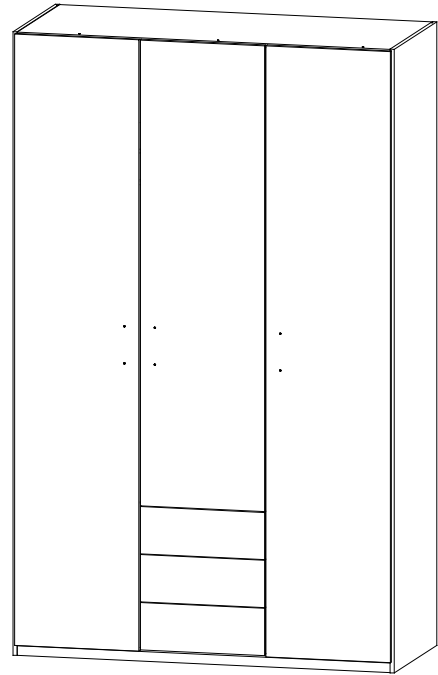
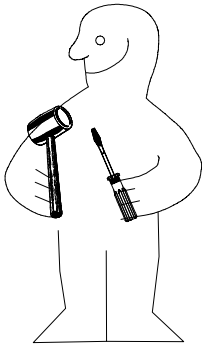
121 113



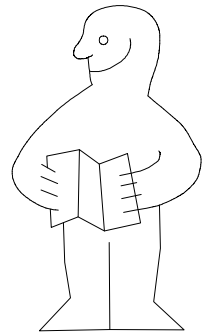
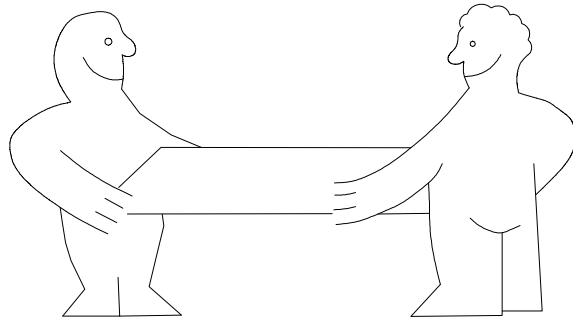
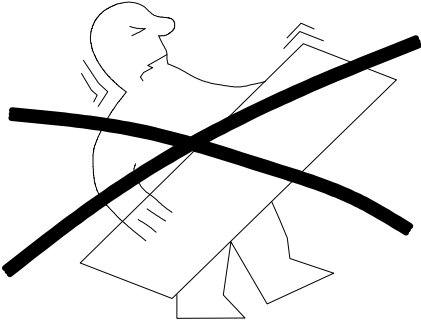
Z L15

G21

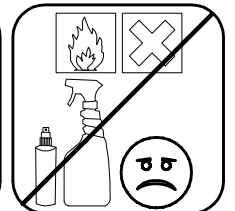
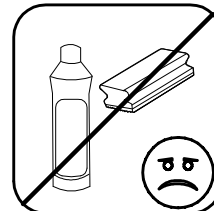
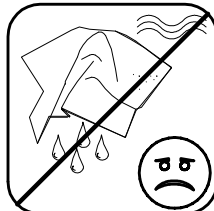
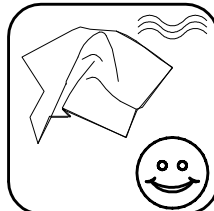
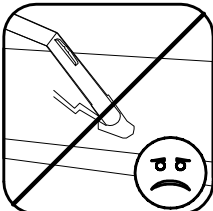
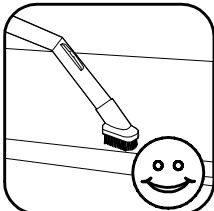
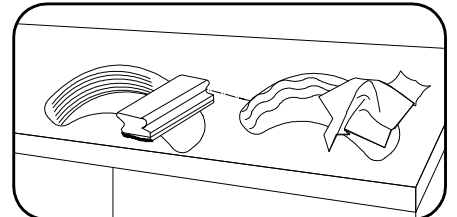
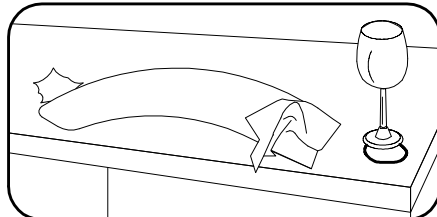
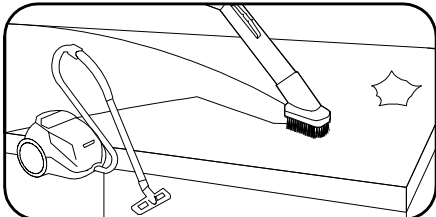
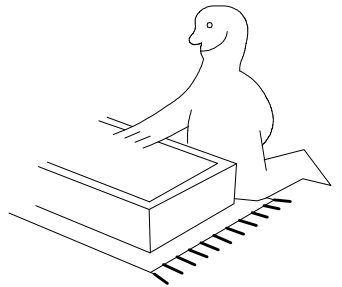
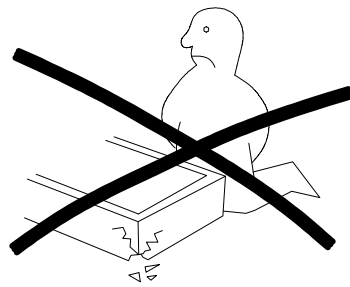
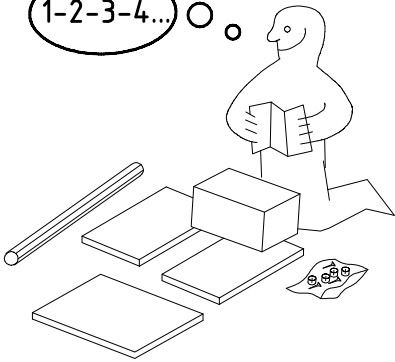
980564



NSP 135







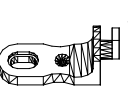
1-2-3-4...


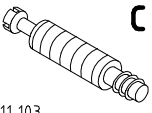

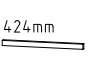



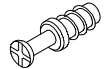

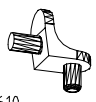

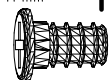
980564

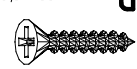
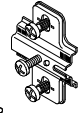

17.03.14 / -

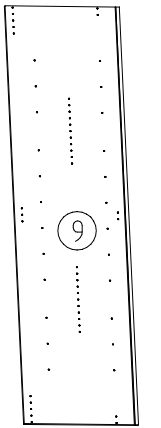
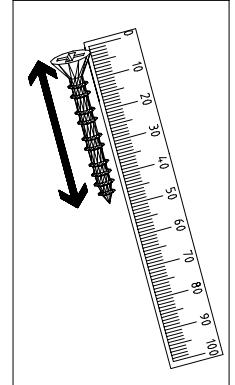
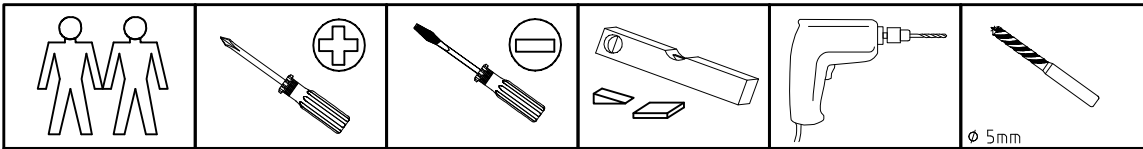
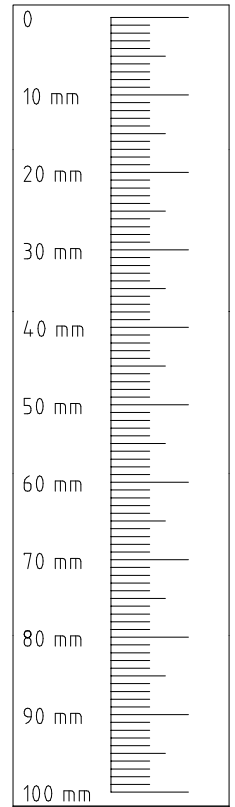
03 14 | 1/11

 111 252	4x
 111 102 M4 x 9 mm	14x
 111 015	6x
 117 001	4x
 111 174	4x

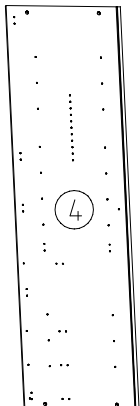
 163 007	1x
 111 103	14x
 112 190	6x
 424mm 112 403	1x
 870mm 112 402	1x

 111 229	4x
 3,5 x 15 mm 121 370	8x
 111 610	8x
 M6 x 10 112 616	12x
 M6 x 11 mm 121 181	4x

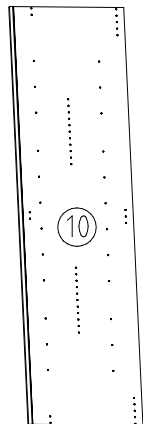
 3,5 x 35 mm 121 375	6x
 112 268	9x
 112 267	9x



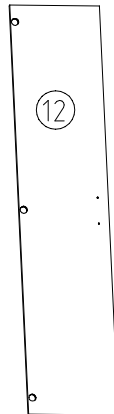
2064x560x15



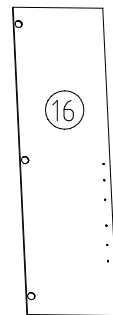
2001x560x15



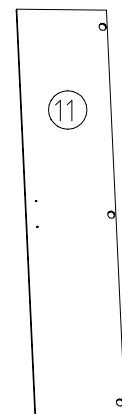
2064x560x15



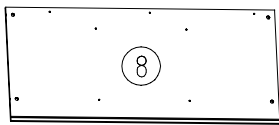
2021x439x15



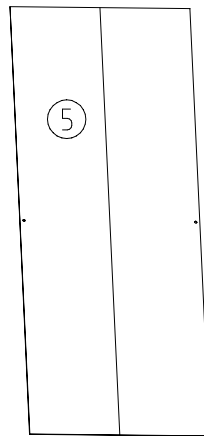
1518x439x15



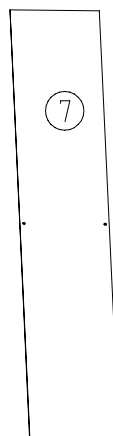
2021x439x15



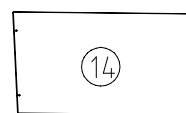
1317x560x15



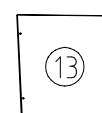
2015x882x2,5



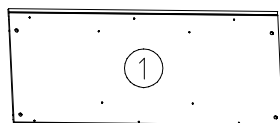
2015x438x2,5



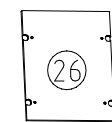
873x500x18



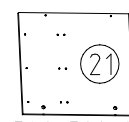
429x500x18



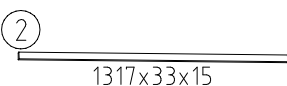
1317x560x15



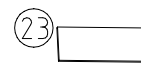
429x540x18



540x500x15

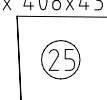


1317x33x15



3x 439x164x15

3x 408x434x2,5



1317x33x15

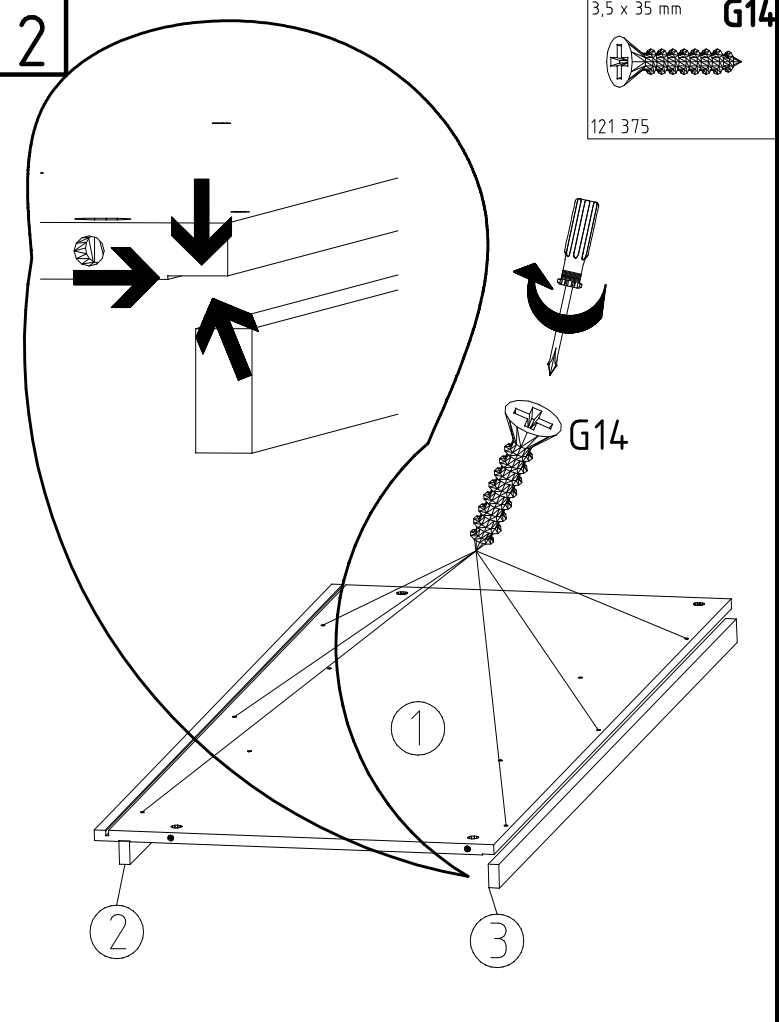
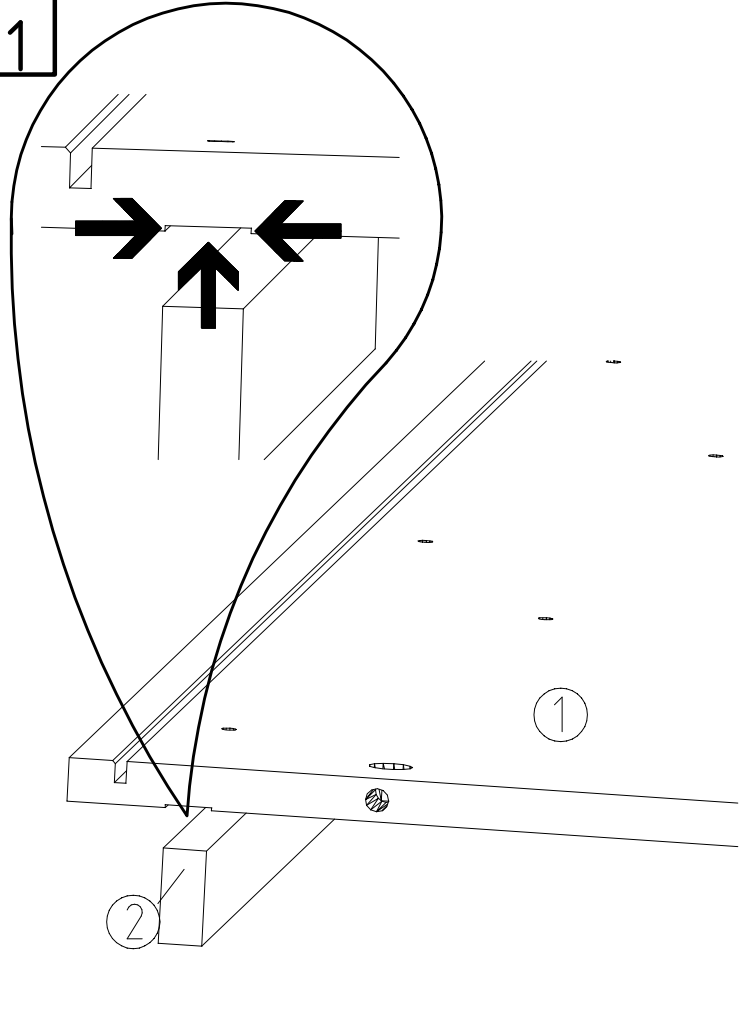
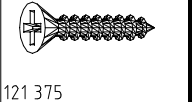


3x 439x422x439x92

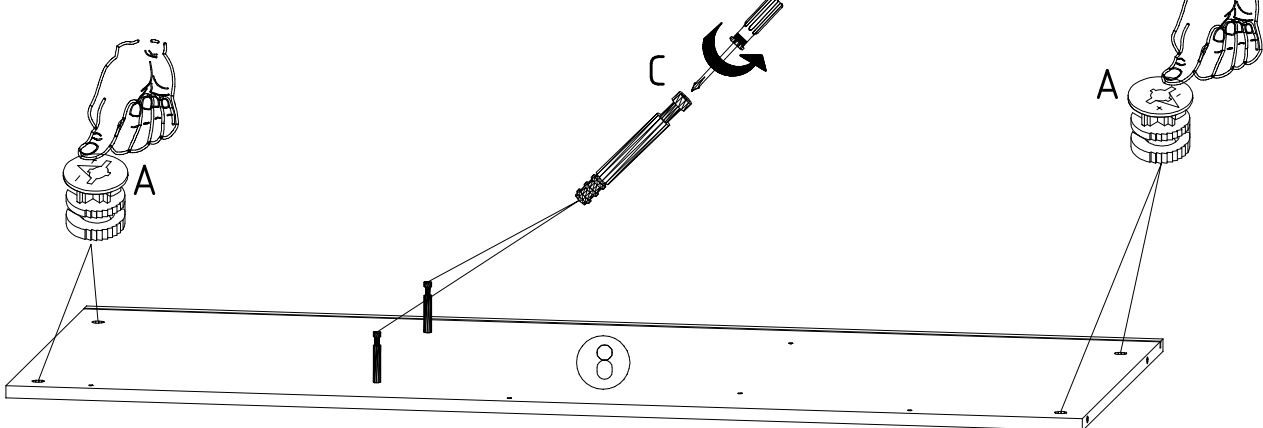
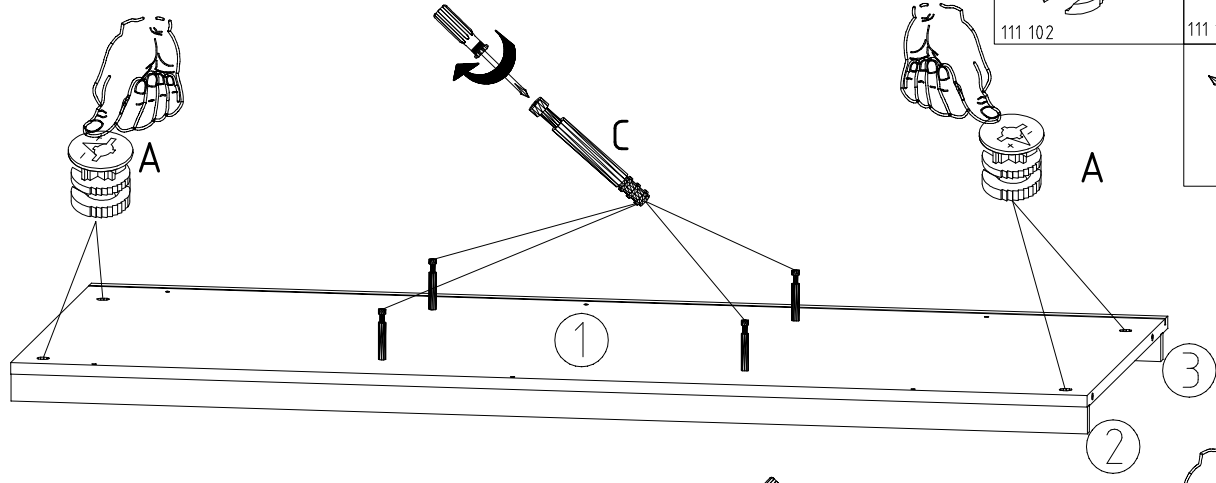
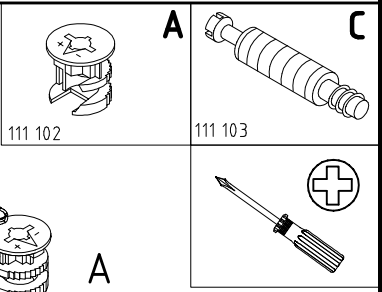
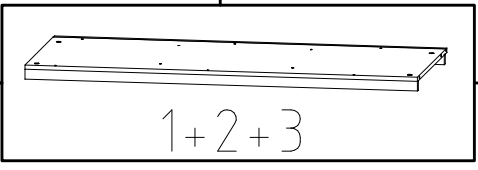
1

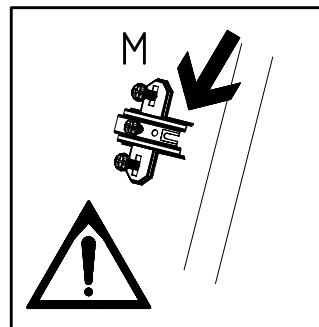
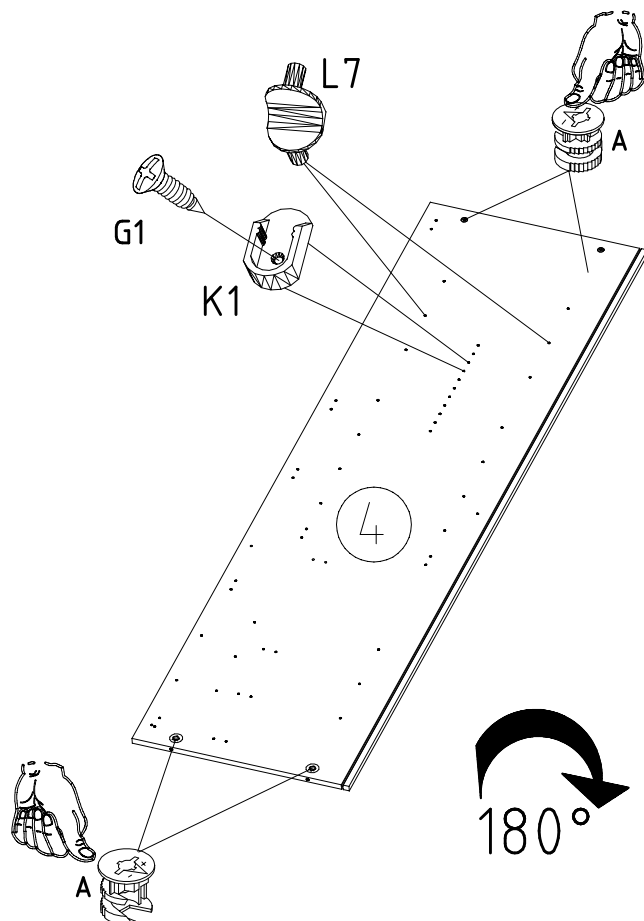
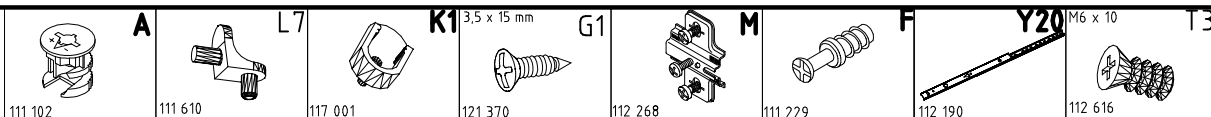
2

3,5 x 35 mm G14

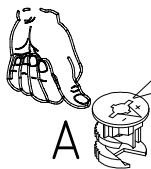
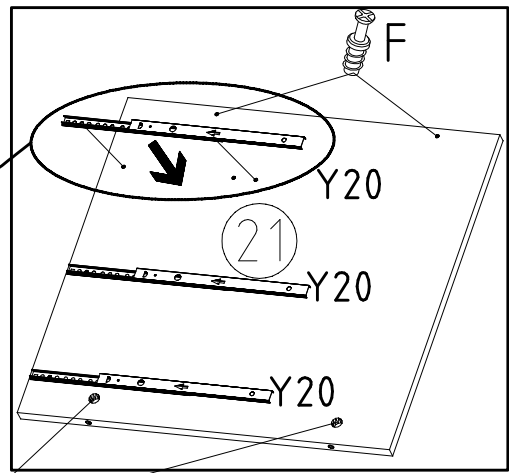
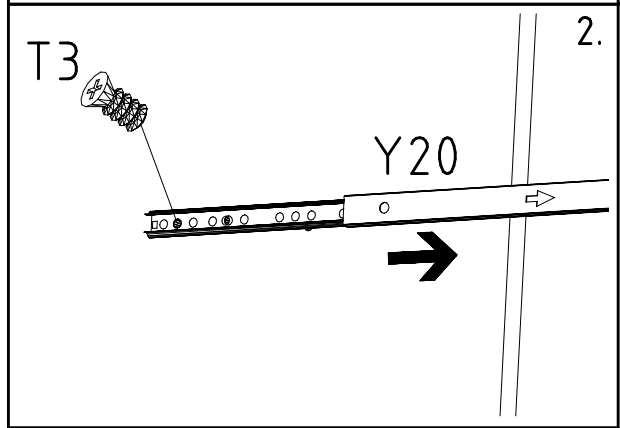
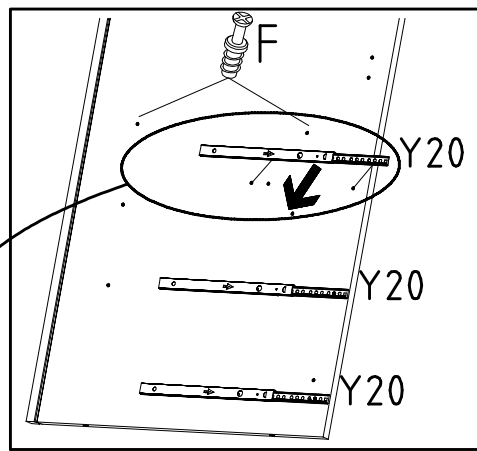
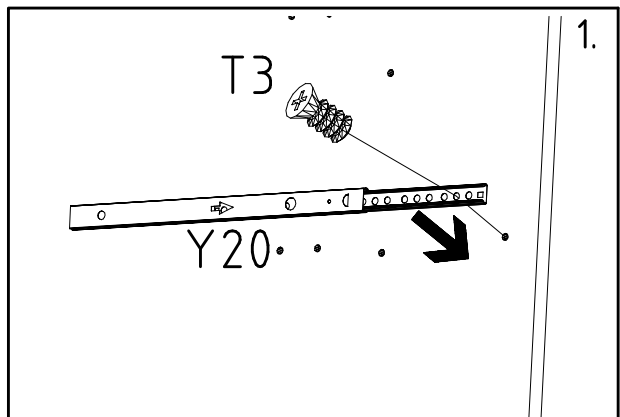
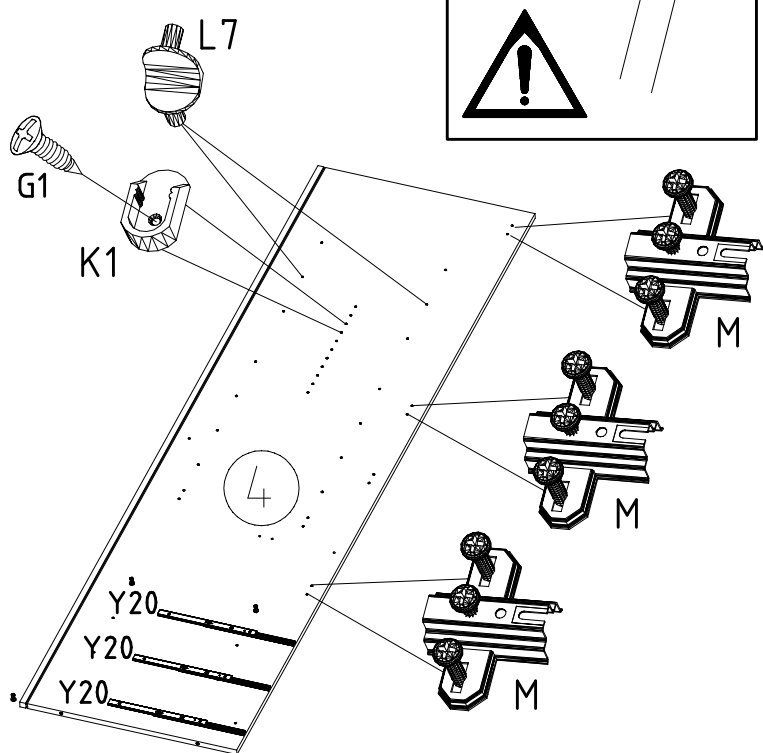


3

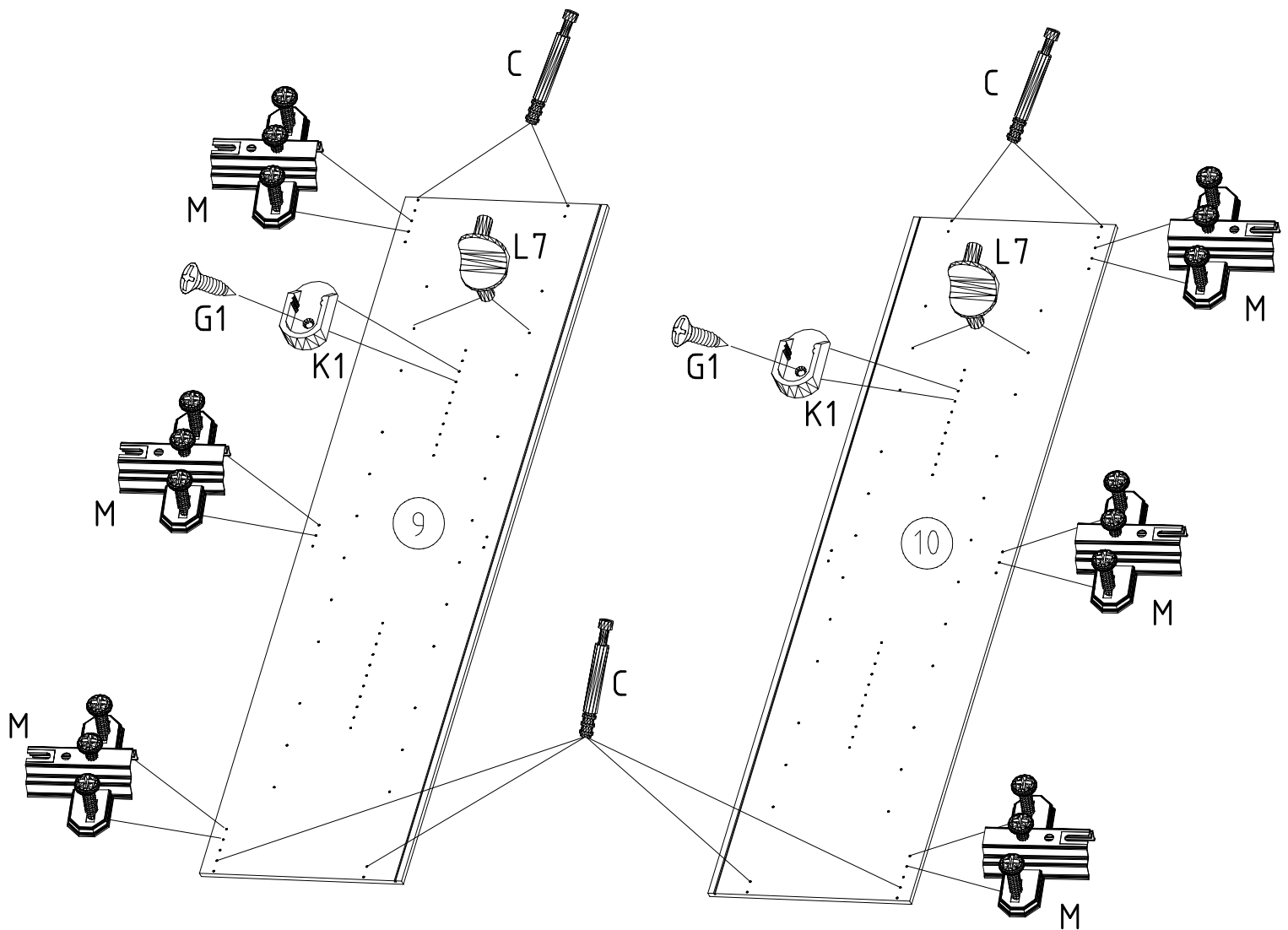
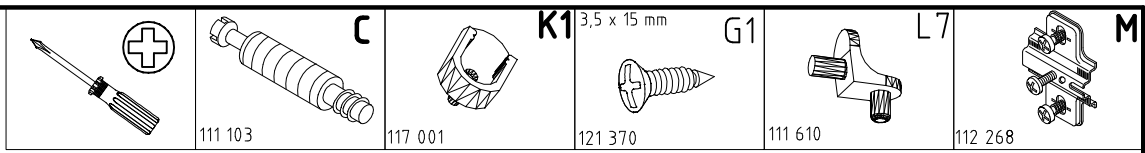




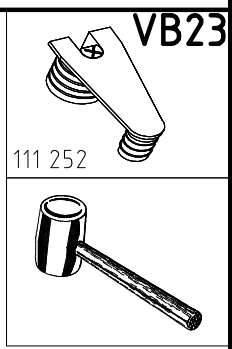
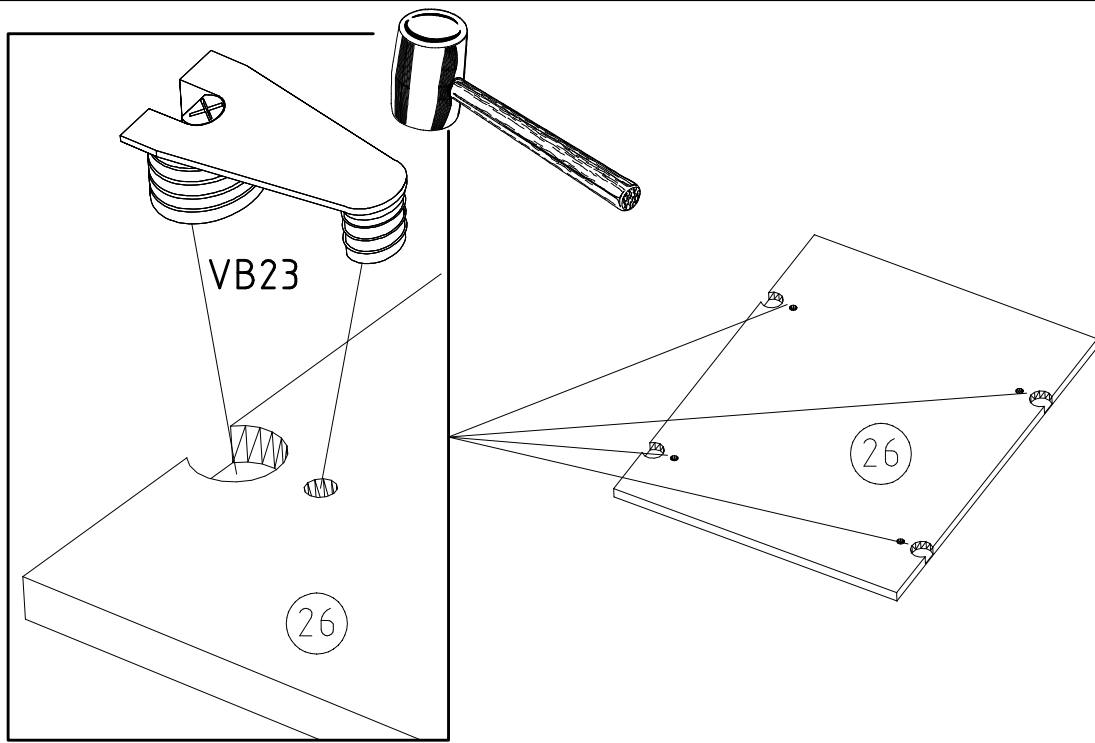
180°



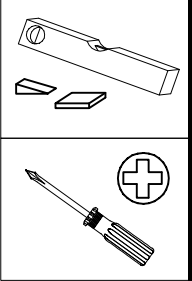
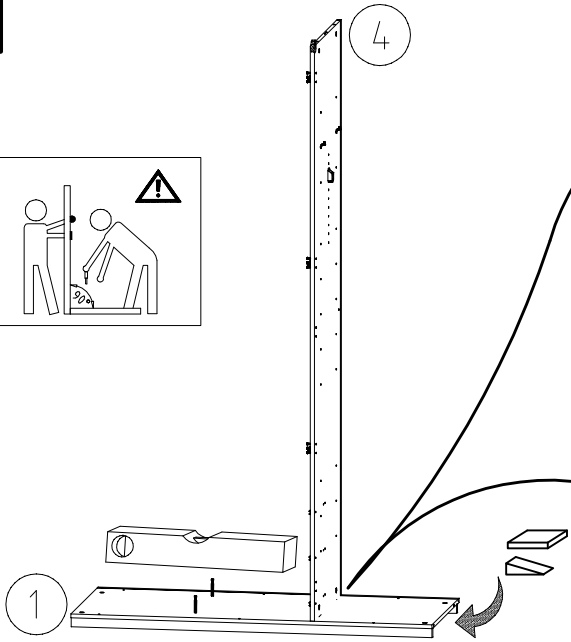
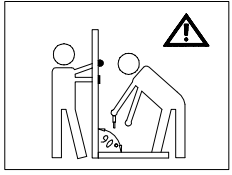
5



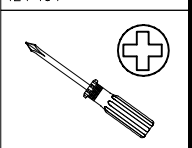
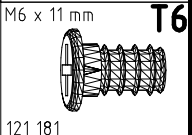
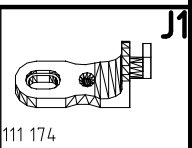
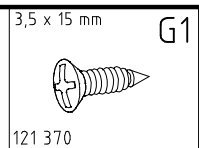
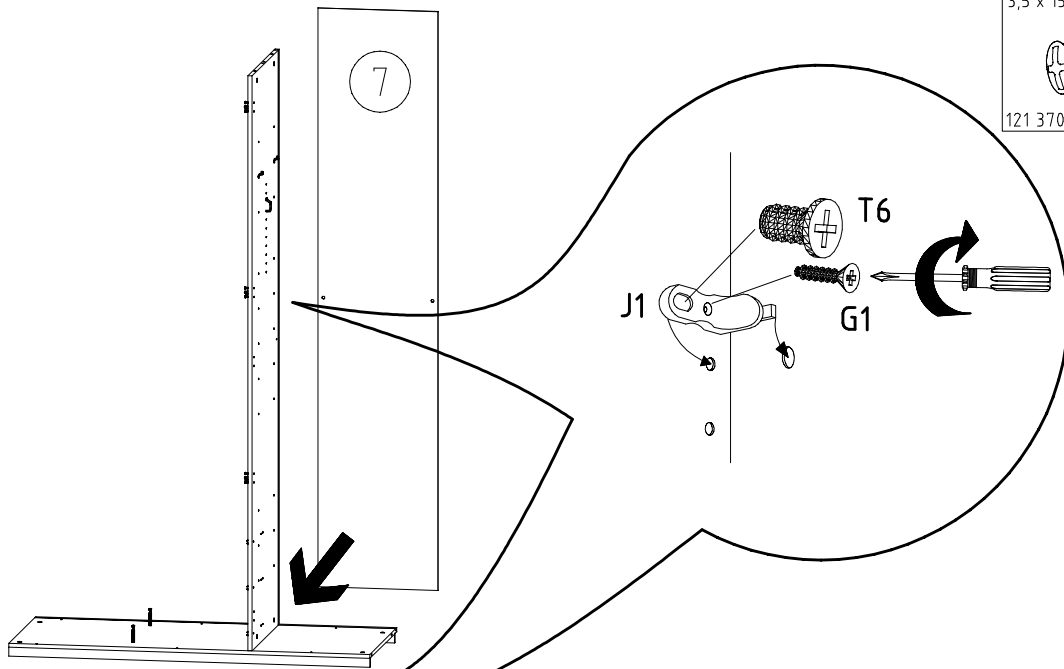
6



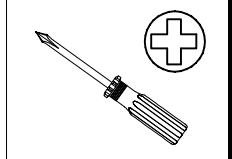
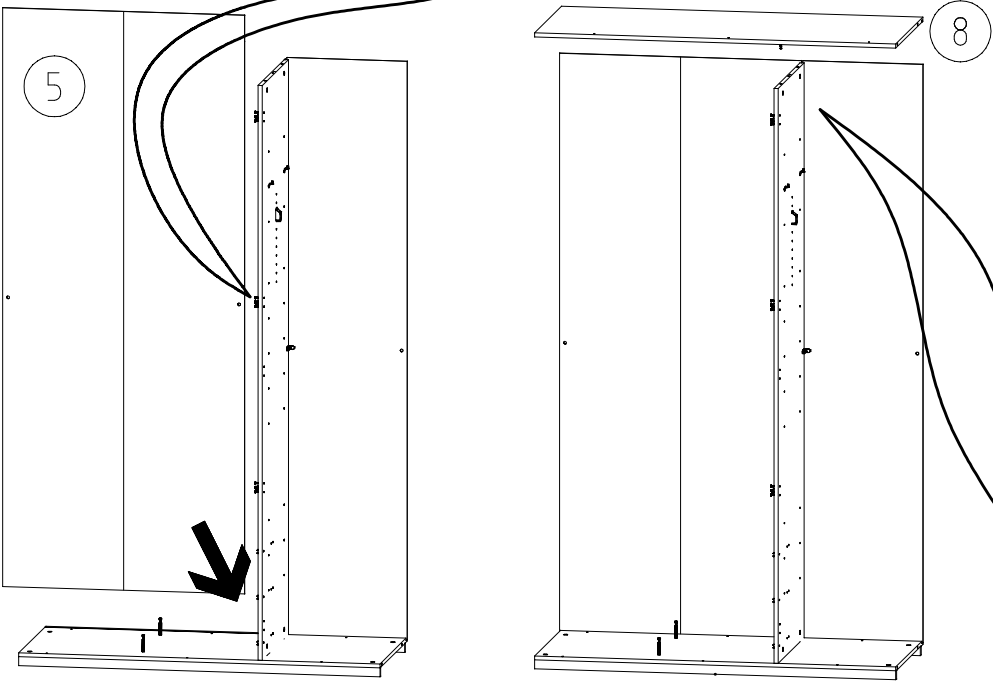
7

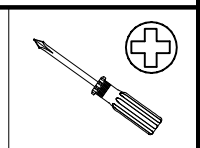
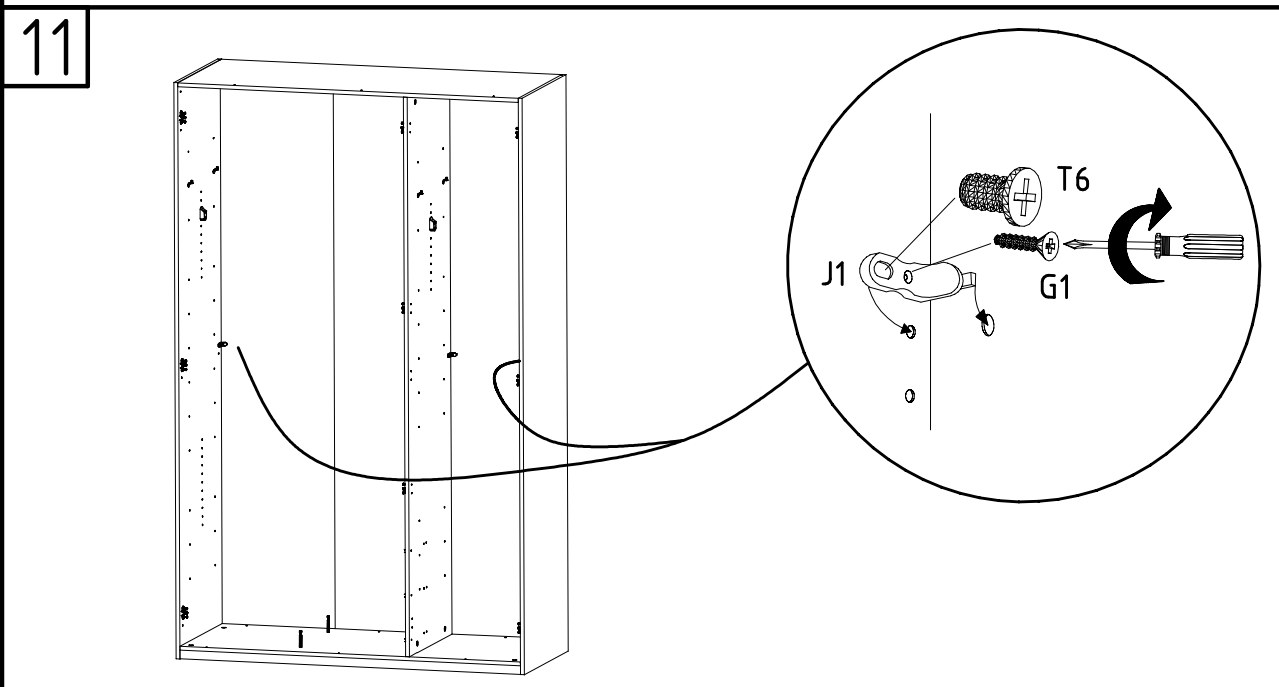
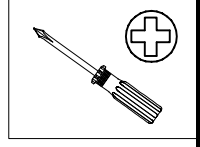
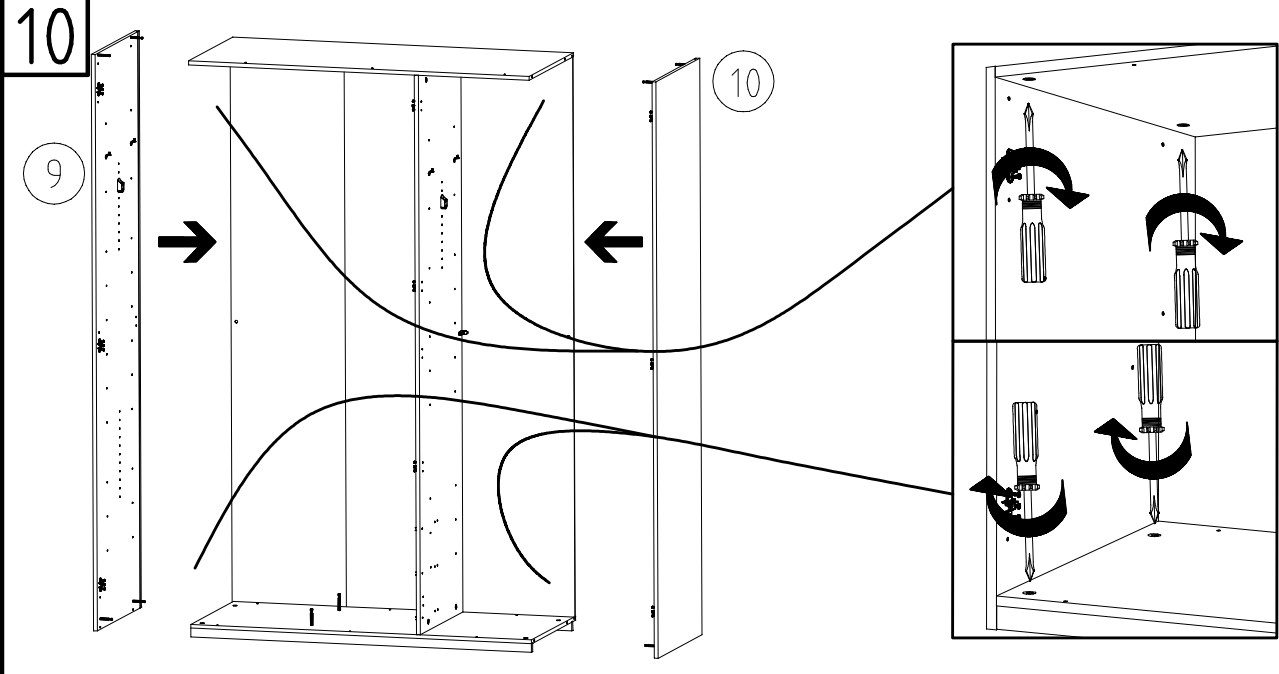


8

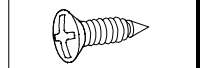


9

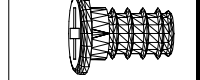




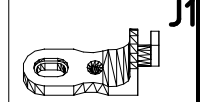
3,5 x 15 mm G1



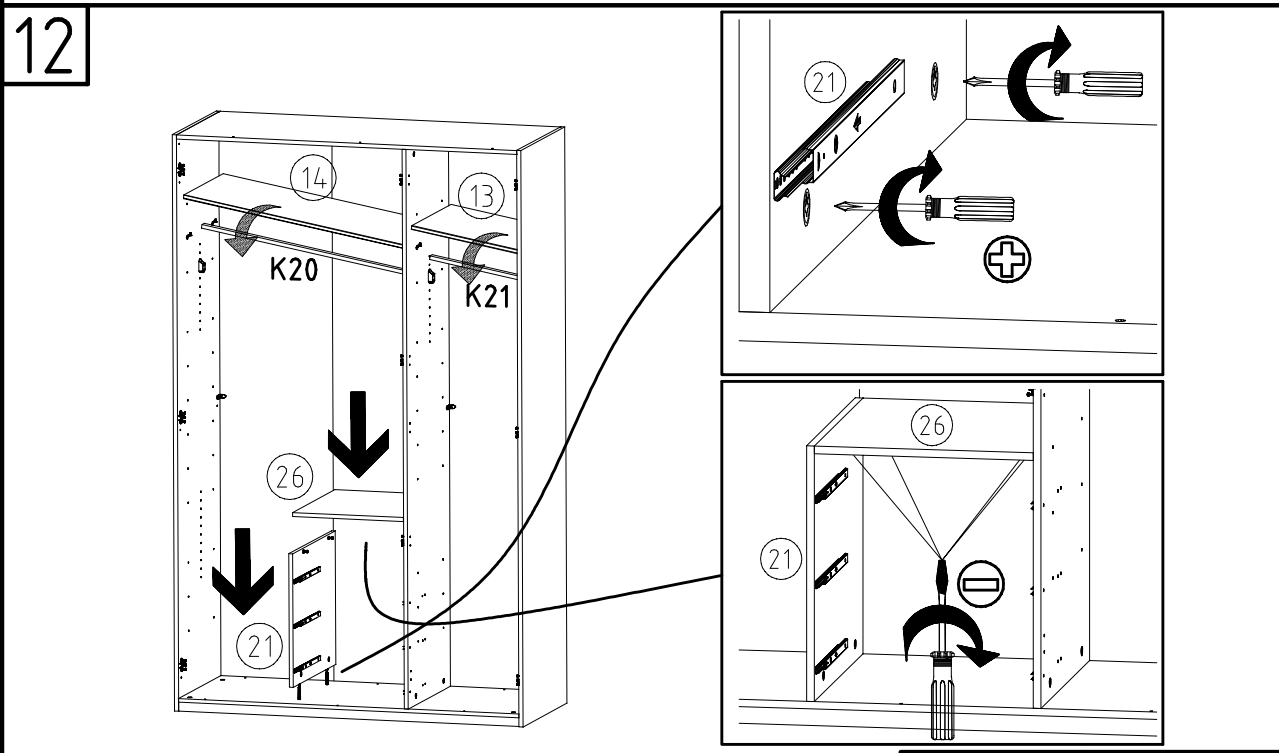
121 370 M6 x 11 mm T6



121 181



111 174

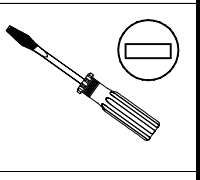
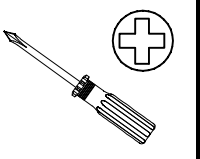


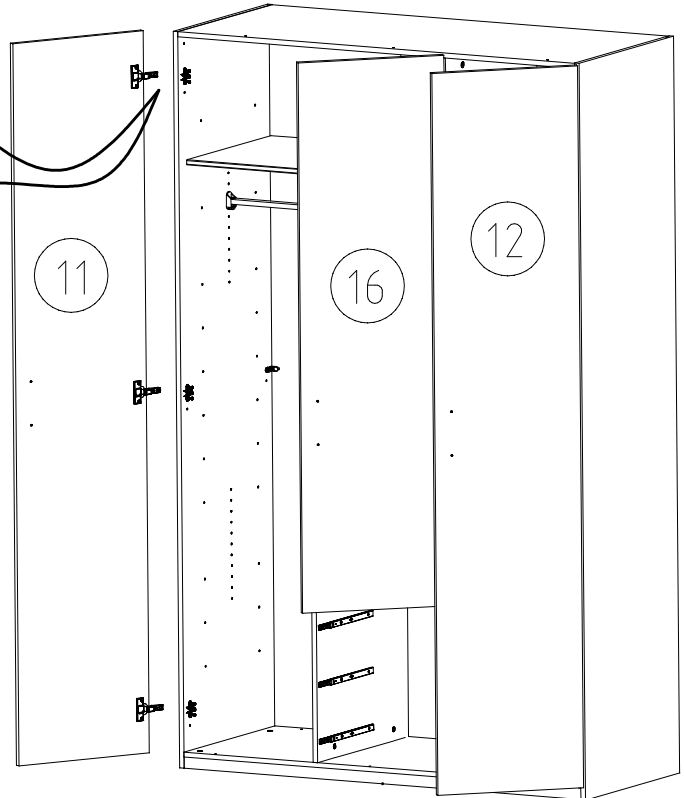
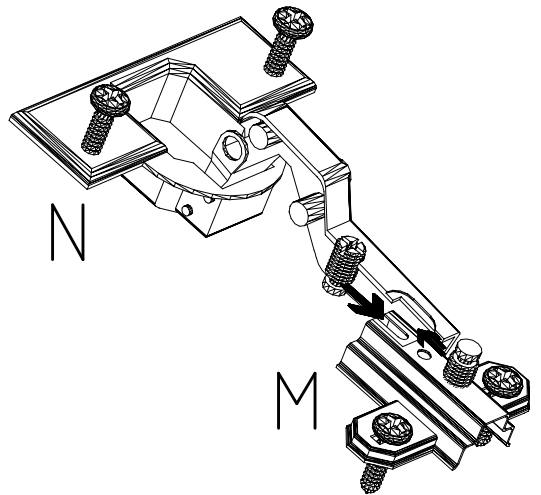
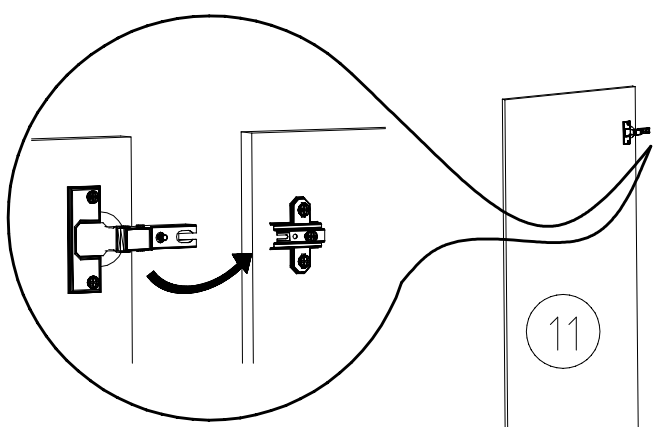
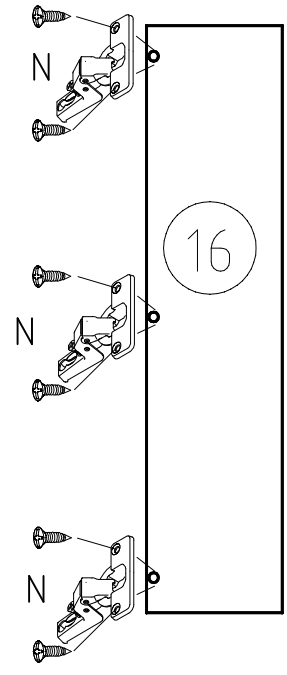
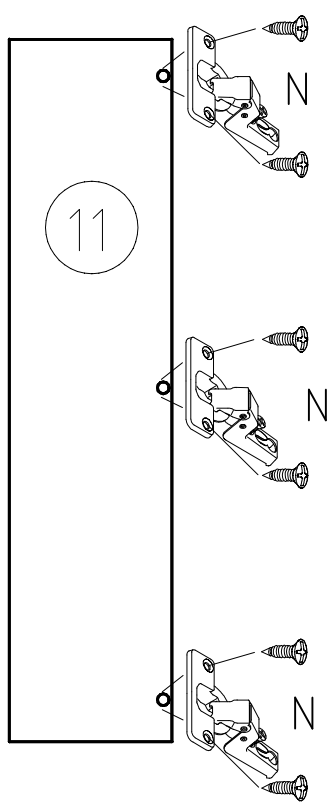
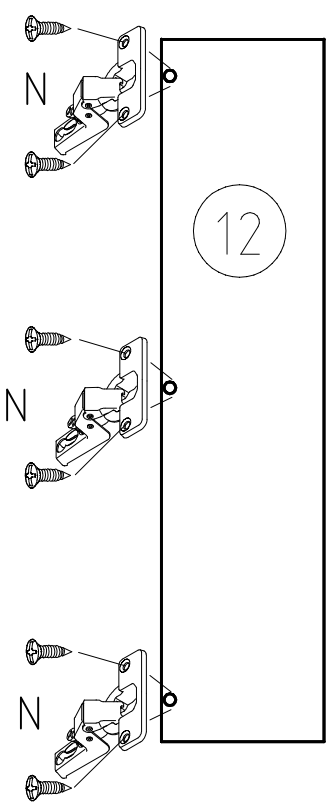
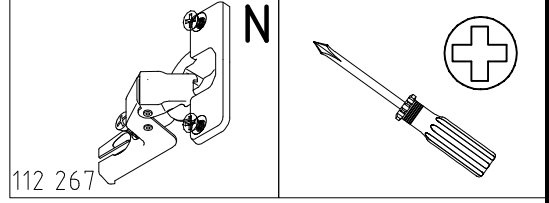
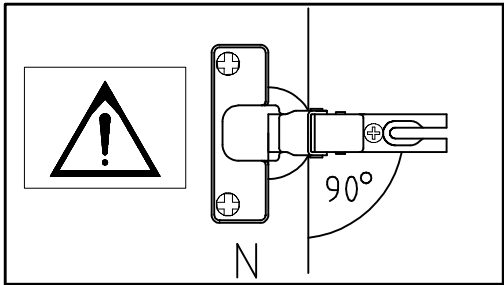
870mm K20

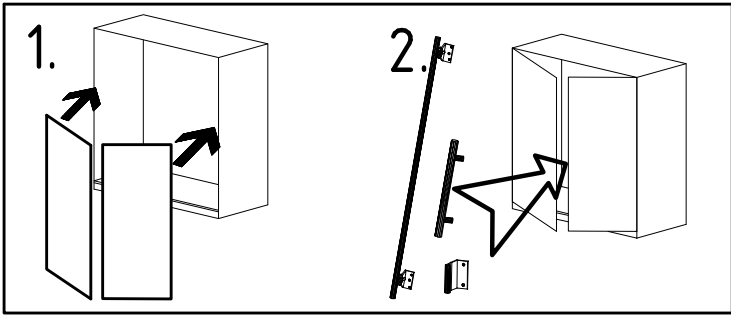
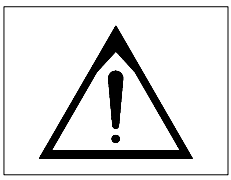
112 402

424mm K21

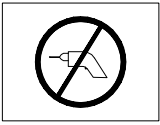
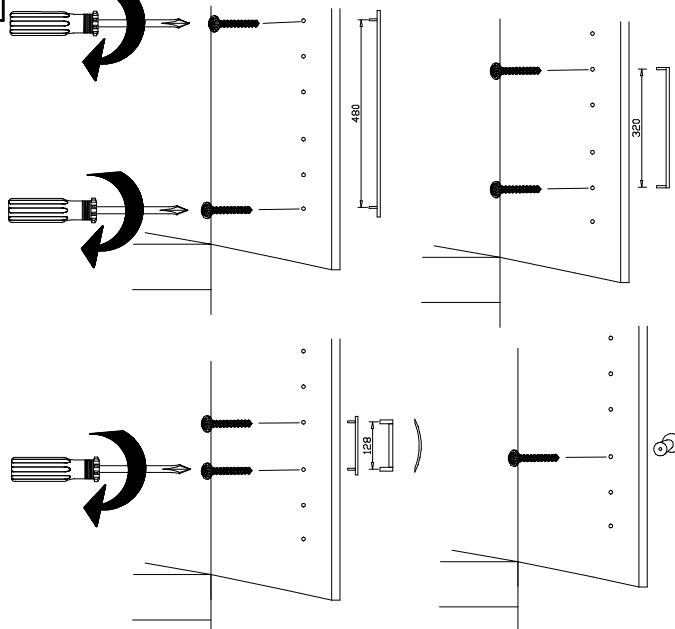
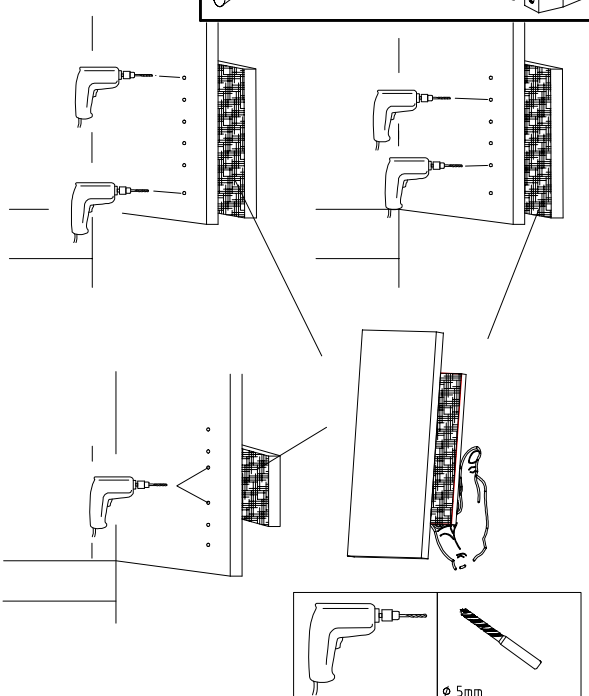
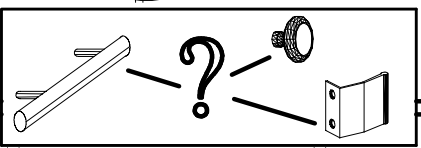
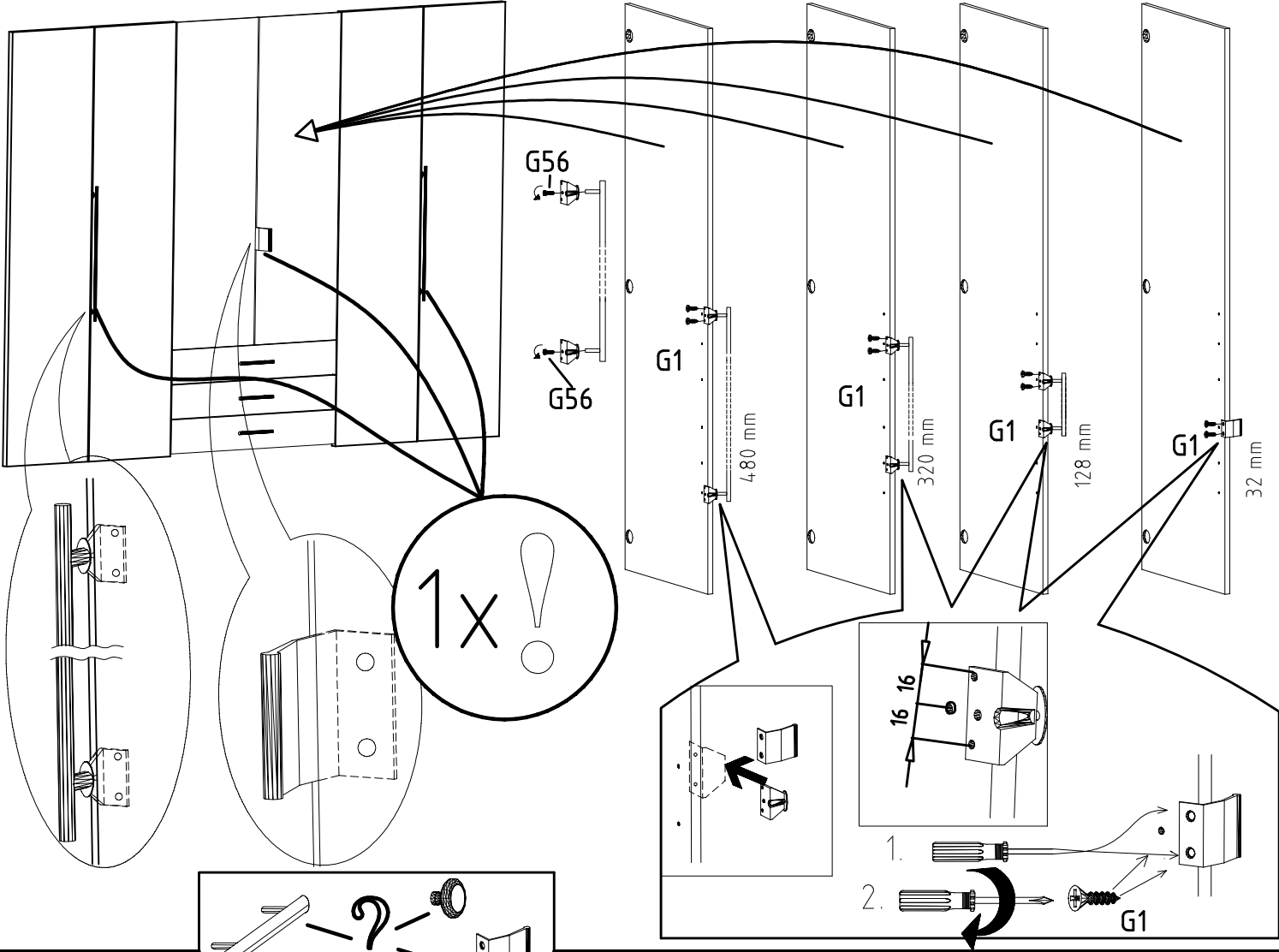
112 403





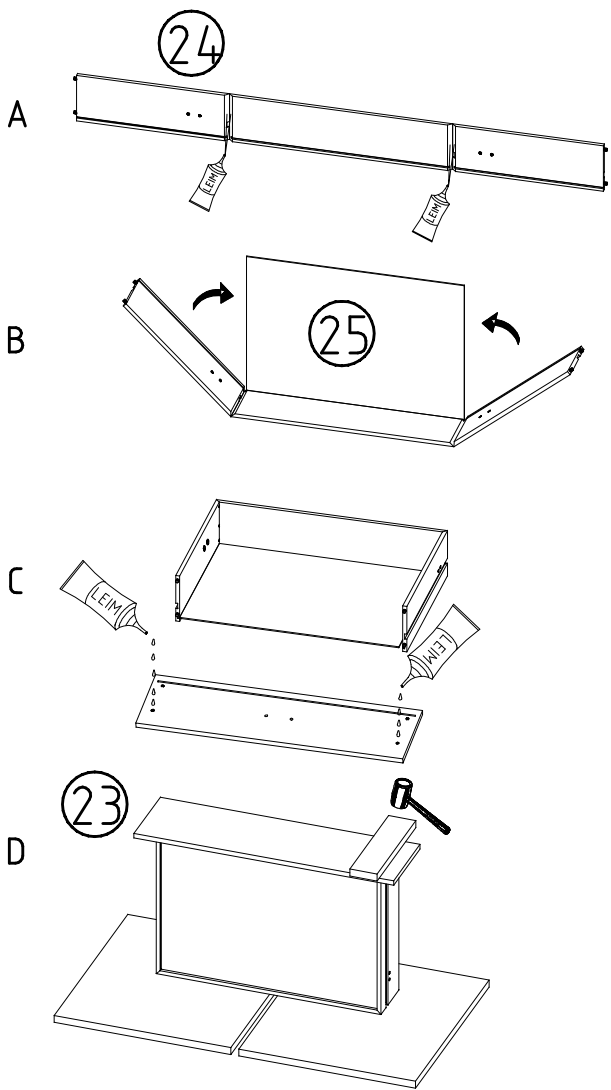
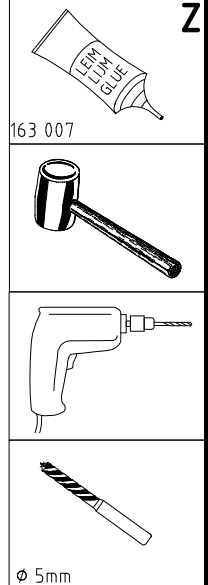
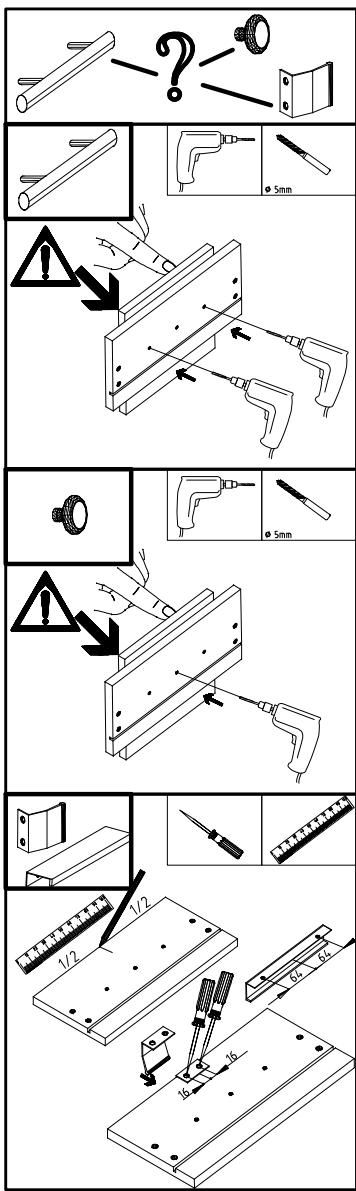


3,5 x 15 mm 121 370	G1	4,0 x 12 mm 122 625	G56
------------------------	----	------------------------	-----



	SP27
4 X 27mm	
122620	
4,0x22	G49
122 609	

15



16

