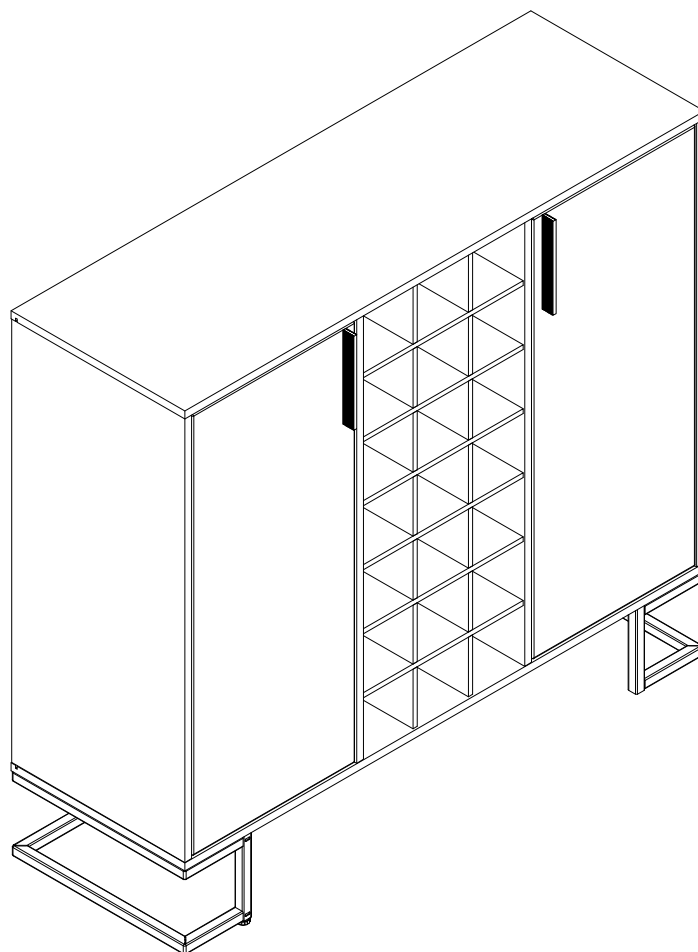
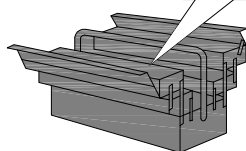
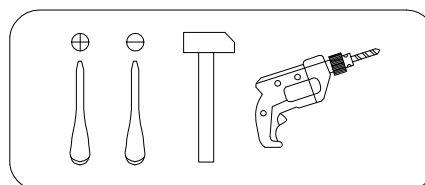
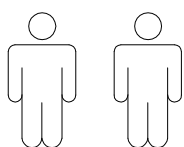


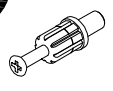

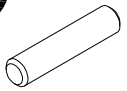
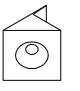
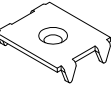
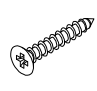
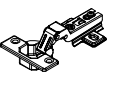

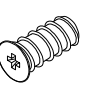
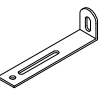
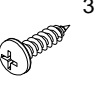



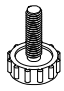

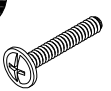
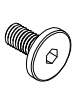
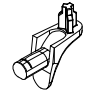
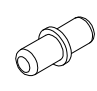

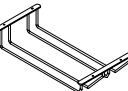


Art. Nr. 233H201, 233H211



- |                                       |                                   |
|---------------------------------------|-----------------------------------|
| <b>D</b> Montageanleitung             | <b>GB</b> Assembly instructions   |
| <b>FR</b> Notice de montage           | <b>IT</b> Istruzioni di montaggio |
| <b>NL</b> Handleiding voor de montage | <b>PL</b> Instrukcja montazu      |
| <b>CZ</b> Montážní návod              | <b>SK</b> Návod na montáž         |
| <b>HU</b> Szerelési útmutató          | <b>RO</b> Instrukțiuni de montaj  |
| <b>TR</b> Montaj talimati             | <b>RU</b> Инструкция по монтажу   |



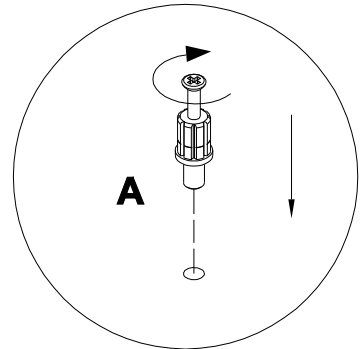
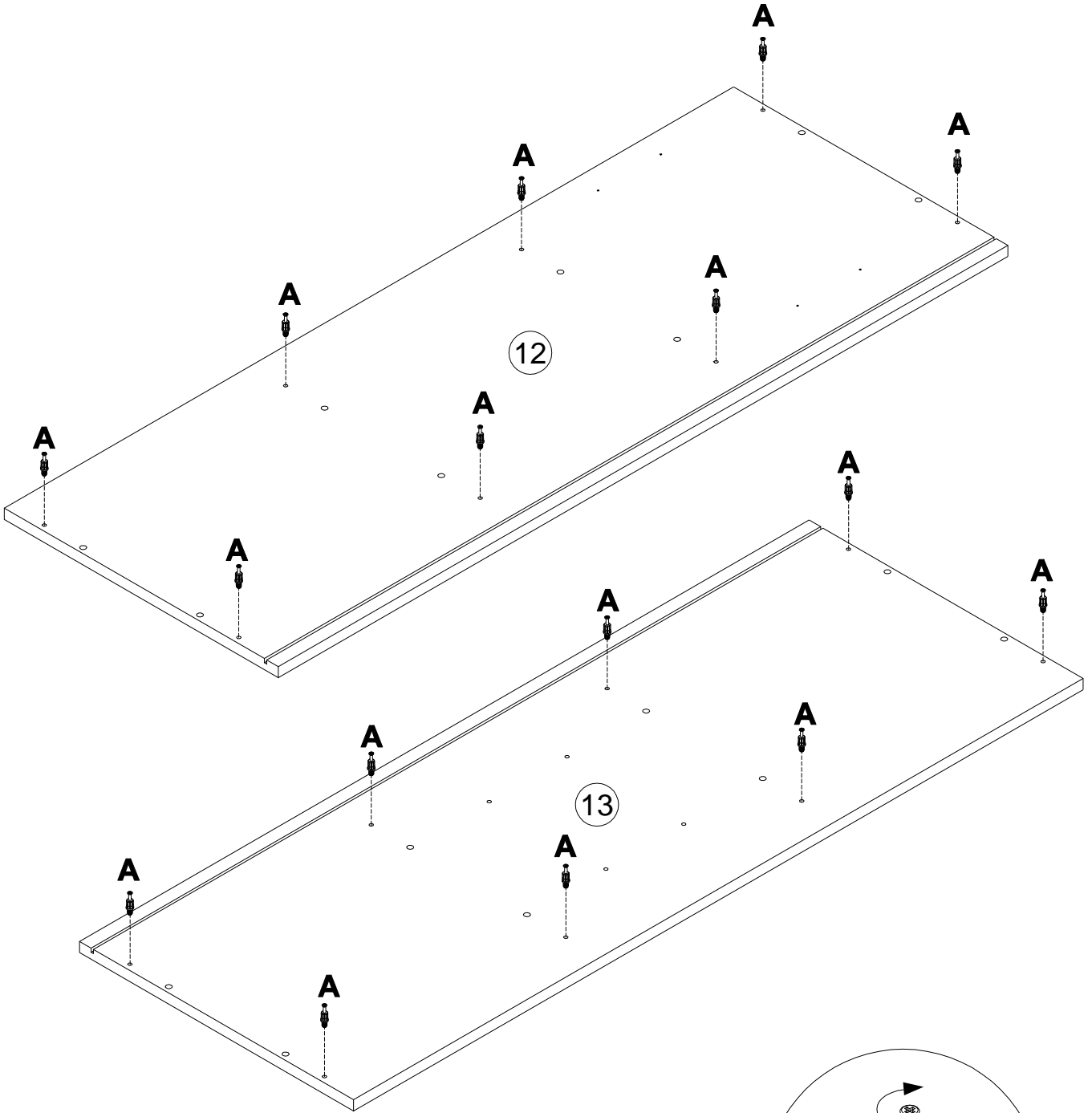
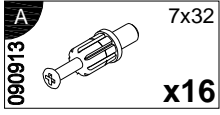


<b>A</b> 090913  7x32 <b>x16</b>	<b>B</b> 000146  15x12 <b>x16</b>	<b>C</b> 000151  8x35 <b>x16</b>	<b>D</b> 135021  <b>x12</b>	<b>E</b> 062367  <b>x4</b>	<b>F</b> 000759  3x20 <b>x16</b>
<b>G</b> 168231  <b>x4</b>	<b>H</b> 010942  4x16 <b>x8</b>	<b>I</b> 235594  6.3x16 <b>x8</b>	<b>J</b> 155999  <b>x1</b>	<b>K</b> 000754  3.5x16 <b>x2</b>	<b>L</b> 090185  4.5x45 <b>x1</b>
<b>M</b> 013859  8x40 <b>x1</b>	<b>N</b> 000083  M6x12 <b>x8</b>	<b>O</b> 007085  M6 <b>x4</b>	<b>P</b> 320188  <b>x2</b>	<b>Q</b> 005960  M4x25 <b>x4</b>	<b>R</b> 216009  M6x12 <b>x16</b>
<b>S</b> 125913  <b>x8</b>	<b>T</b> 000112  <b>x24</b>	<b>U</b> 000765  3.5x25 <b>x4</b>	<b>V</b> 343637  <b>x1</b>	<b>W</b> 169120  d6 <b>x8</b>	<b>X</b> 100640  20x0.5 <b>x16</b>

N	Size/MaB (mm)	Qty	✓	N	Size/MaB (mm)	Qty	✓
1	888x400x16	1		10	898x393x3	2	
2	888x400x16	1		11	366x381x16	2	
3	887x383x10	2		12	1200x401x16	1	
4	383x371x10	6		13	1200x401x16	1	
5	888x386x16	1		14	170x102x20	4	
6	888x386x16	1		15	400x290x20	1	
7	882x376x19	1		16	400x290x20	1	
8	882x376x19	1		17	400x290x20	1	
9	898x386x3	1		18	400x290x20	1	



1



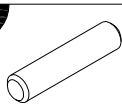
2

000146



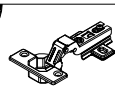
15x12  
x8

000151



8x35  
x8

168231



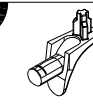
x4

235594

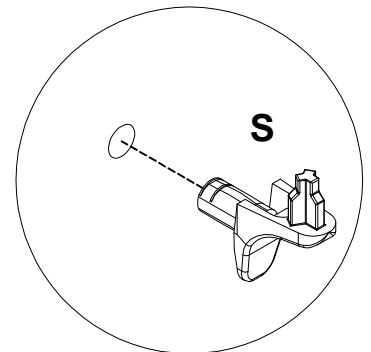
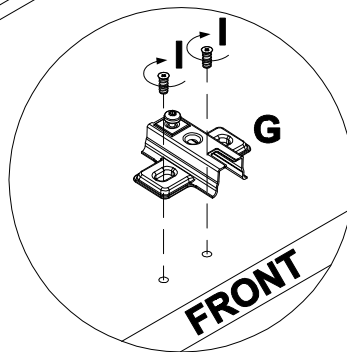
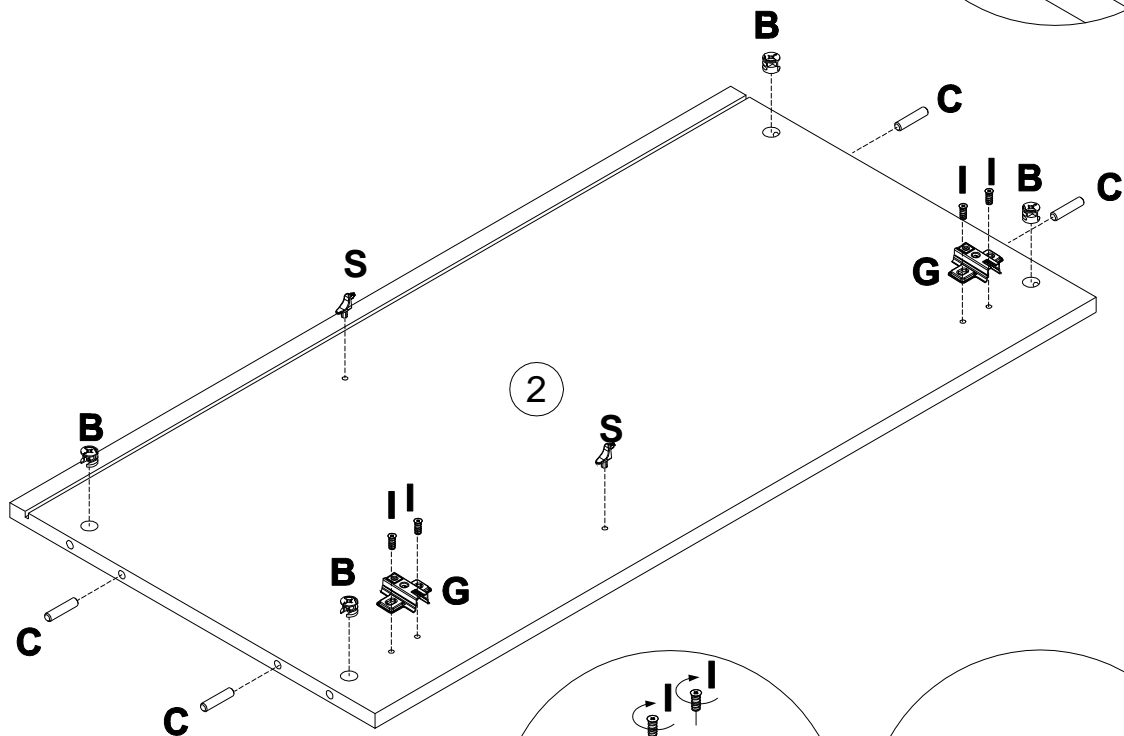
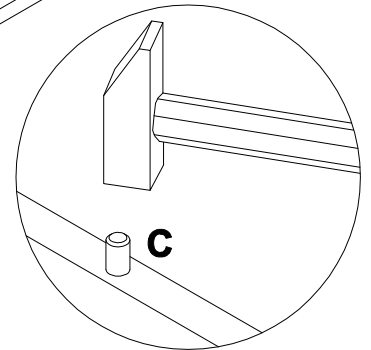
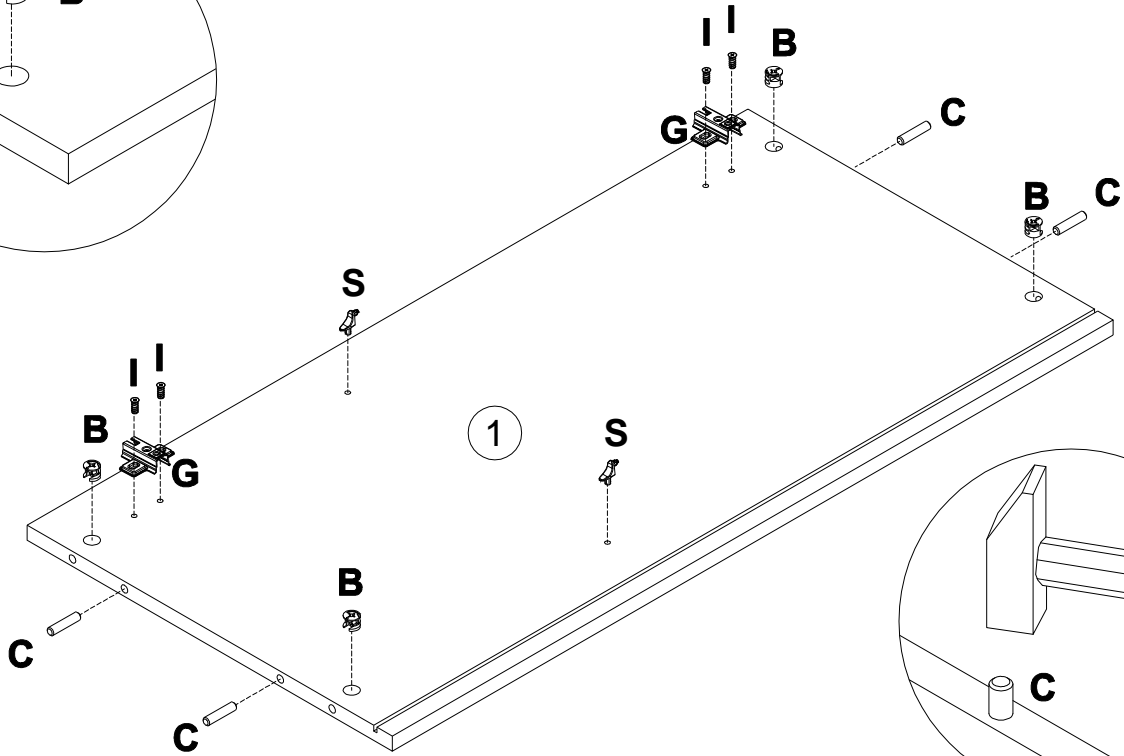
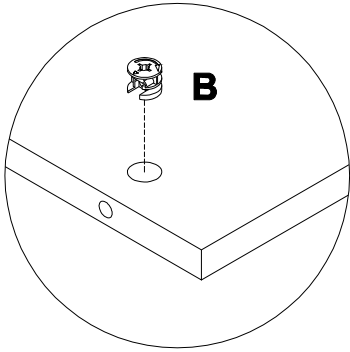


6.3x16  
x8

125913



x4



3

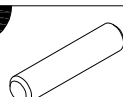
000146



15x12

x8

000151



8x35

x8

125913

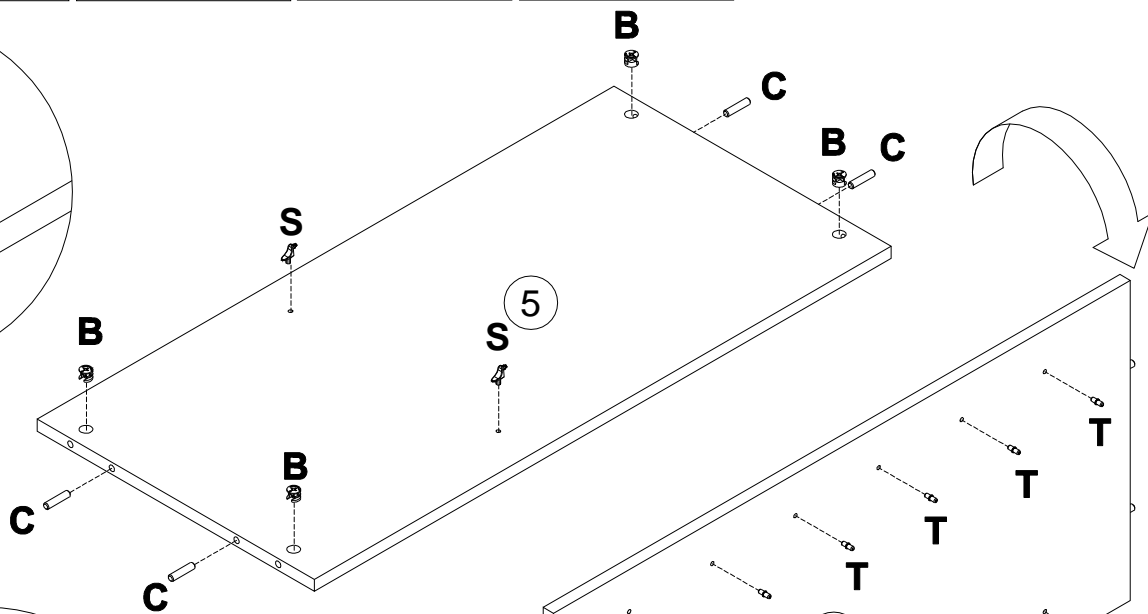
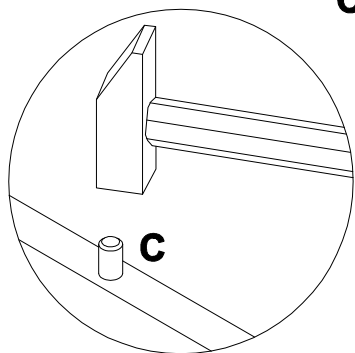
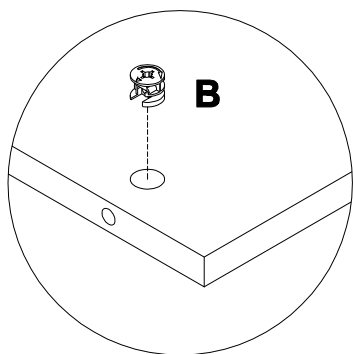


x4

000112

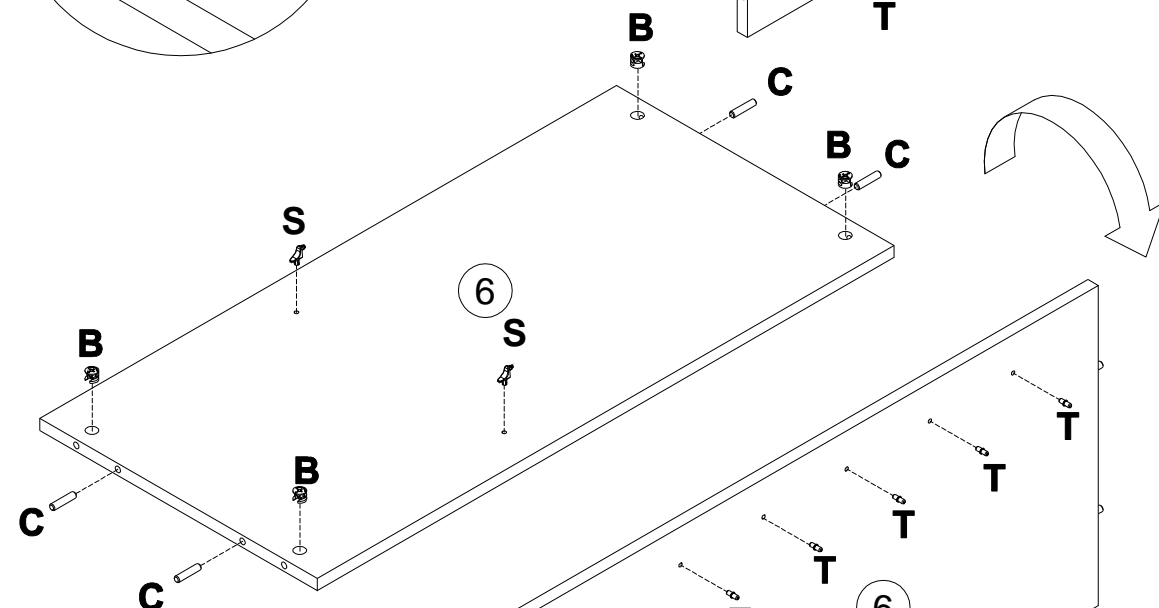


x24



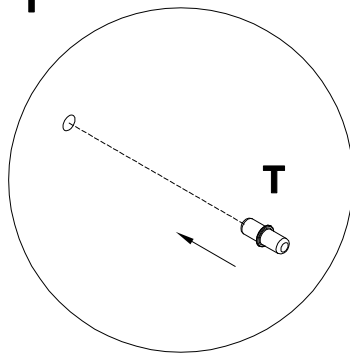
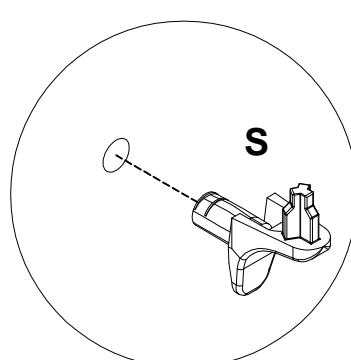
5

5

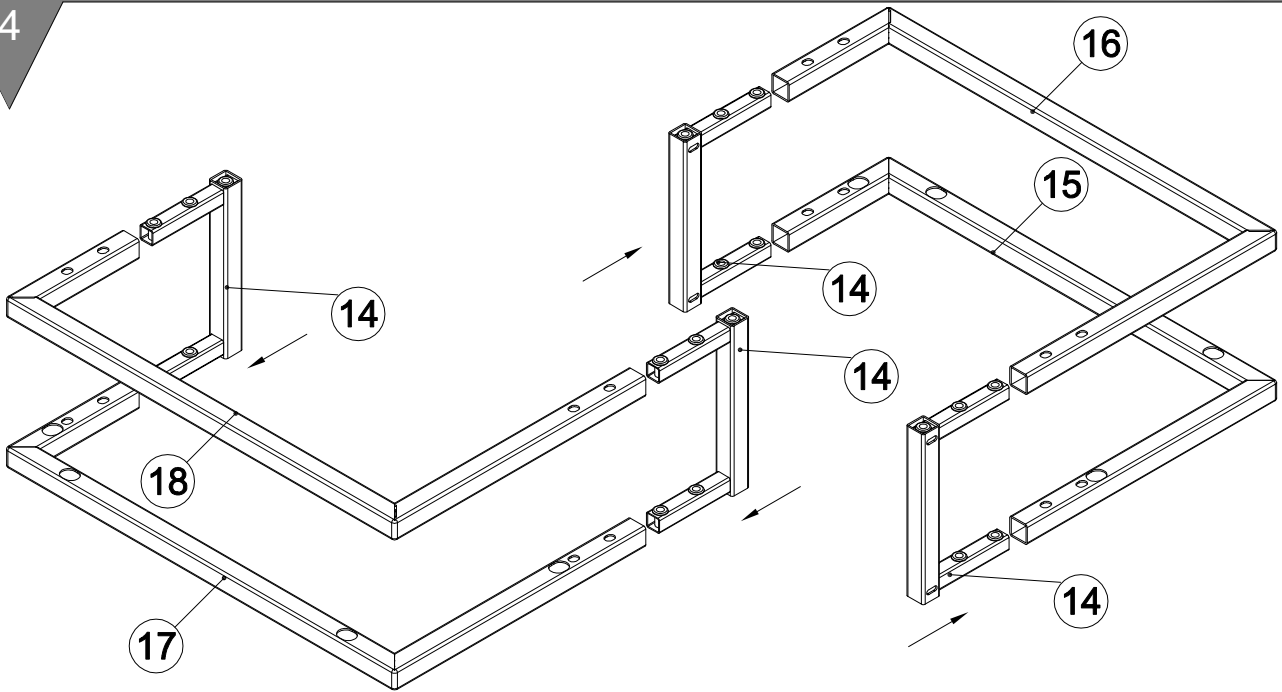


6

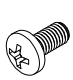
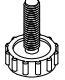
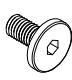

6

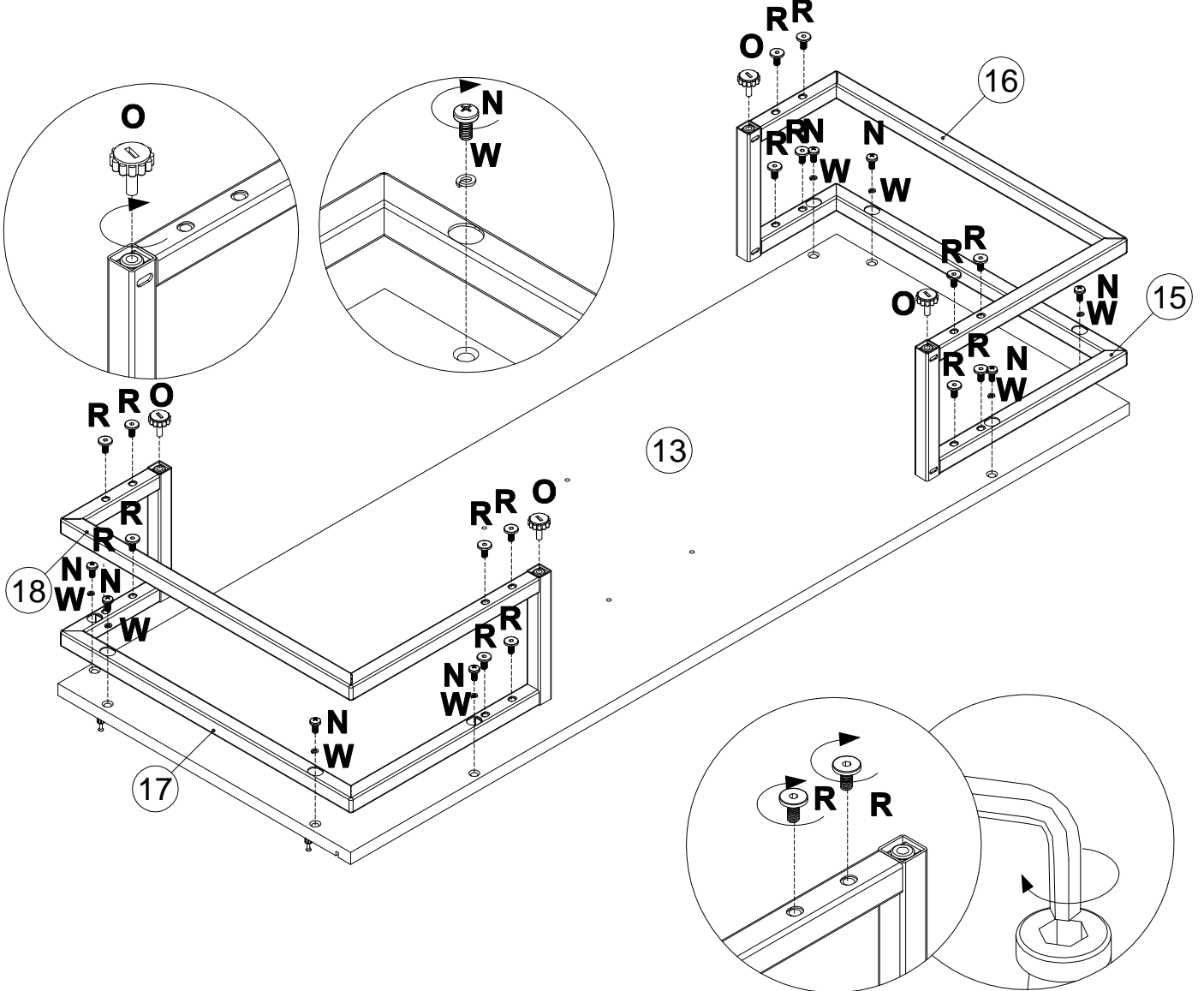


4

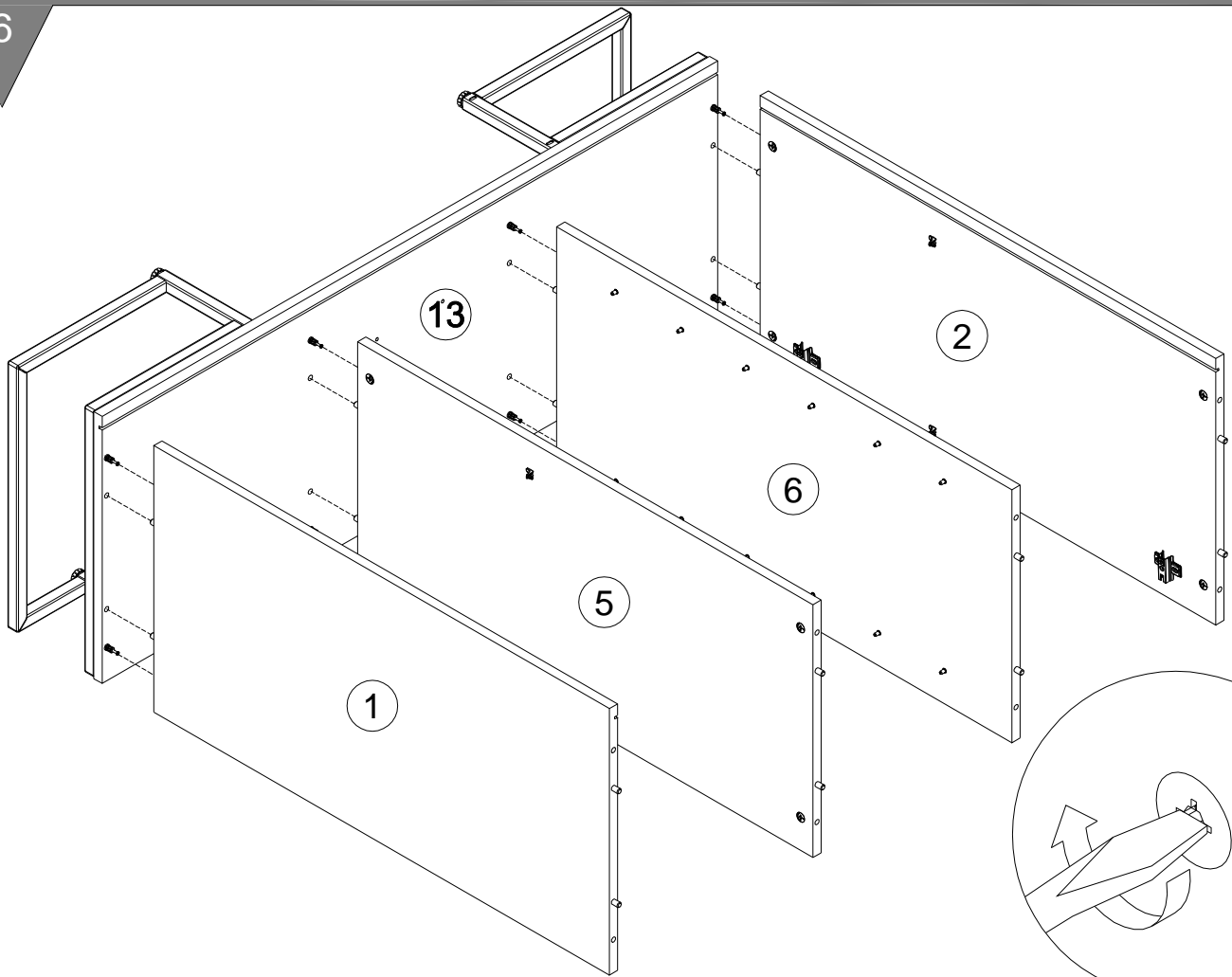


5

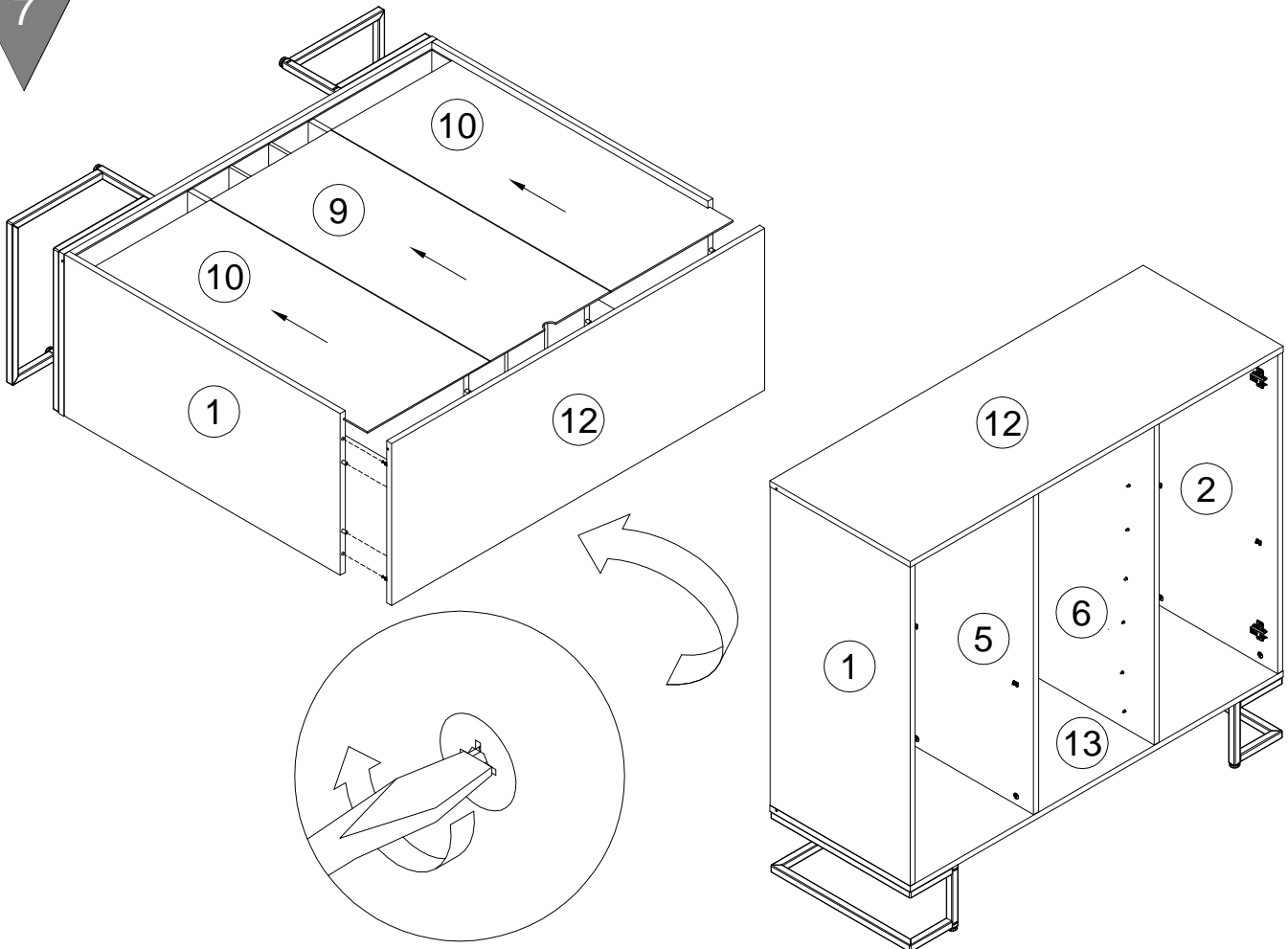
<b>N</b> 000083	 M6x12 <b>x8</b>	<b>O</b> 007085	 M6 <b>x4</b>	<b>R</b> 216009	 M6x12 <b>x16</b>	<b>W</b> 169120	 d6 <b>x8</b>
--------------------	------------------------------------------------------------------------------------------------------	--------------------	---------------------------------------------------------------------------------------------------	--------------------	-------------------------------------------------------------------------------------------------------	--------------------	---------------------------------------------------------------------------------------------------



6



7



8

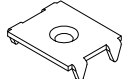


135021



x12

062367



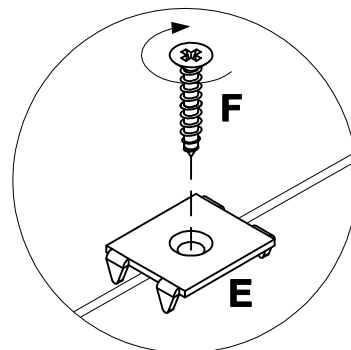
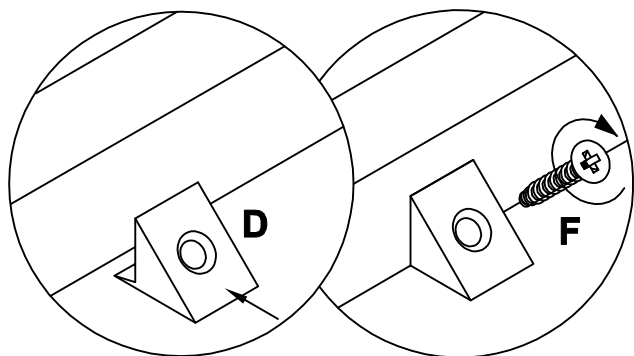
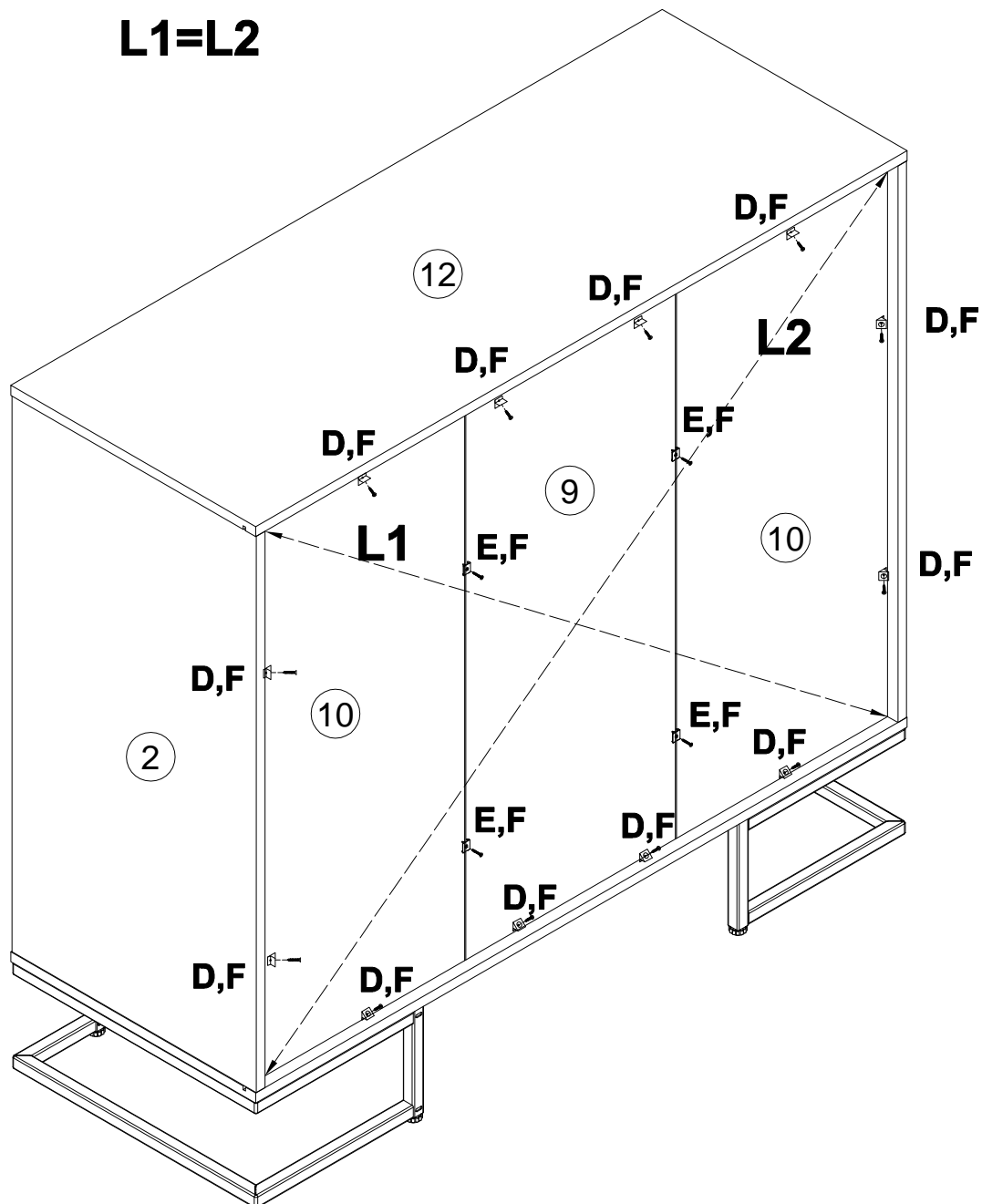
x4

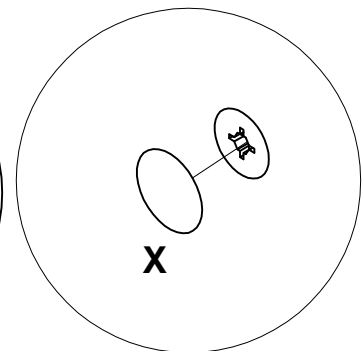
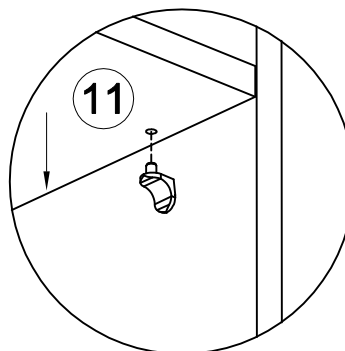
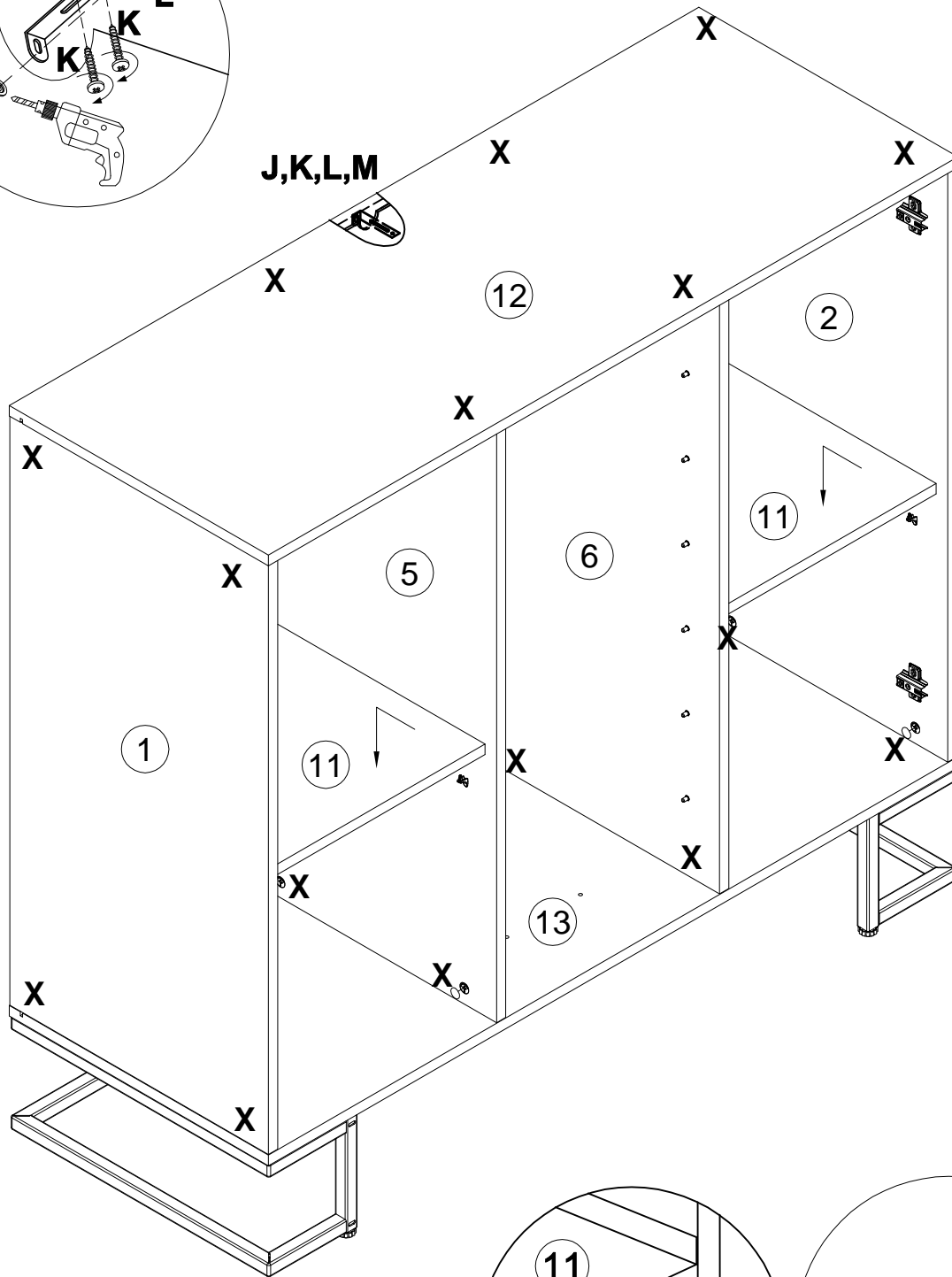
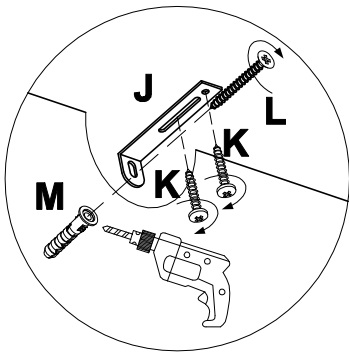
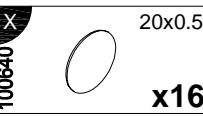
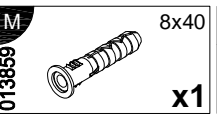
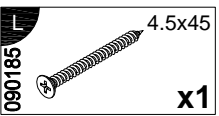
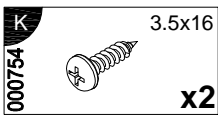
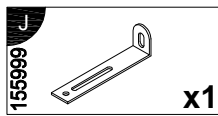
000759



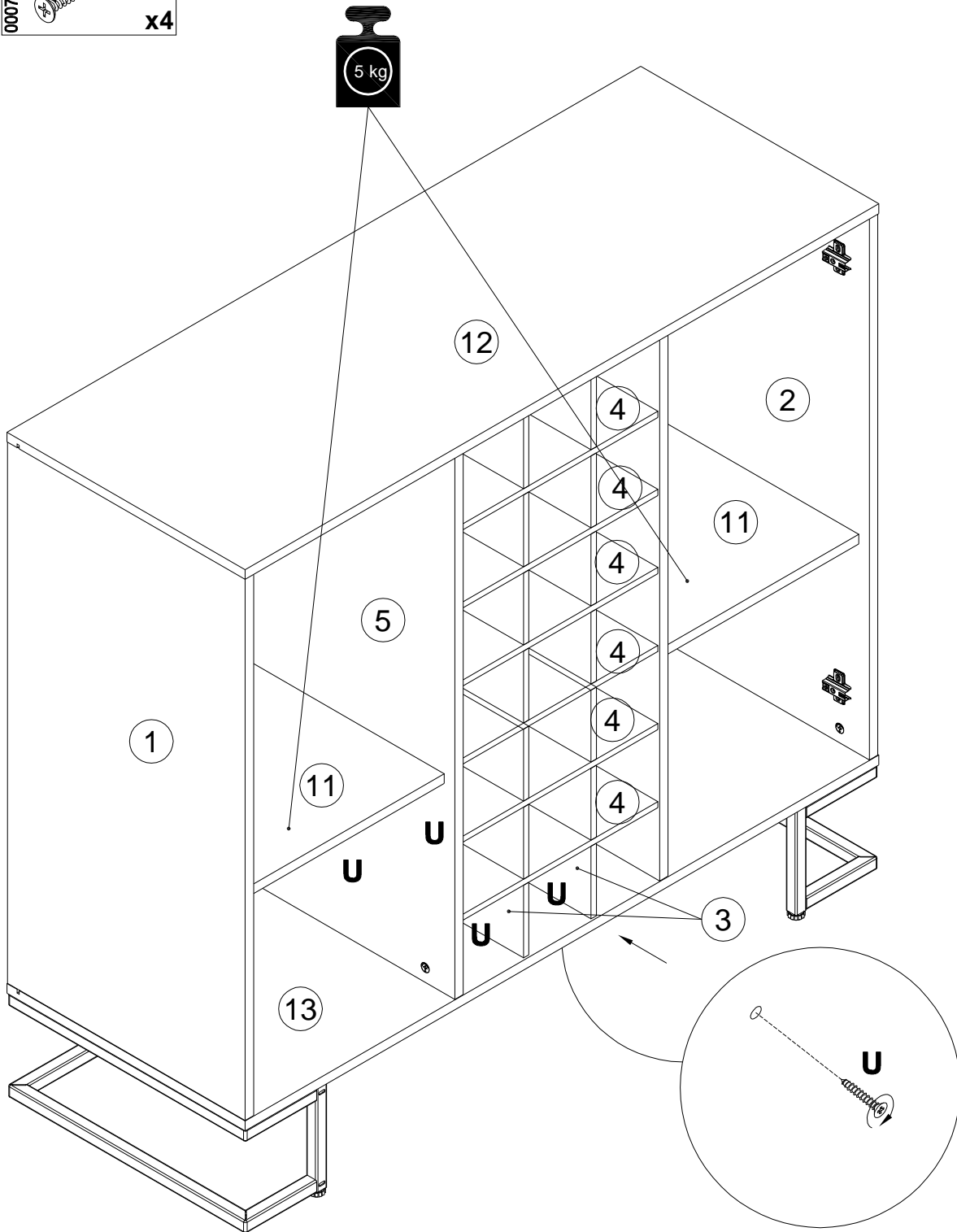
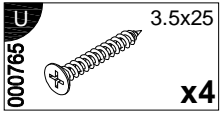
x16

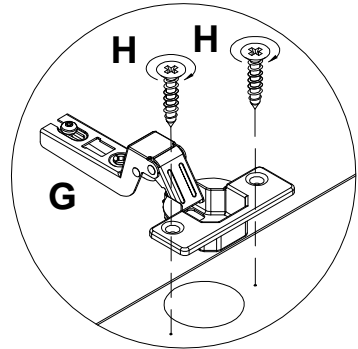
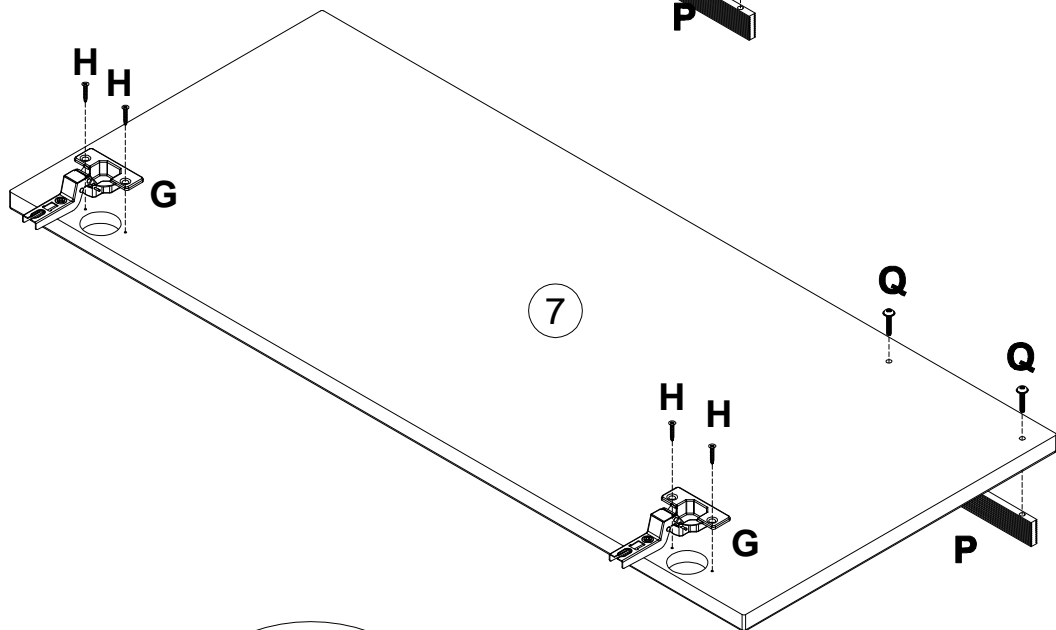
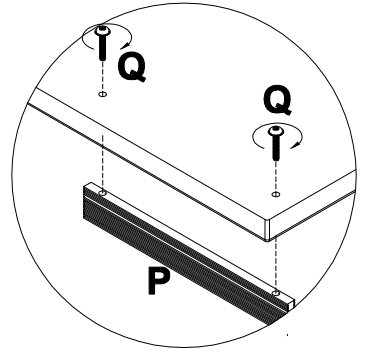
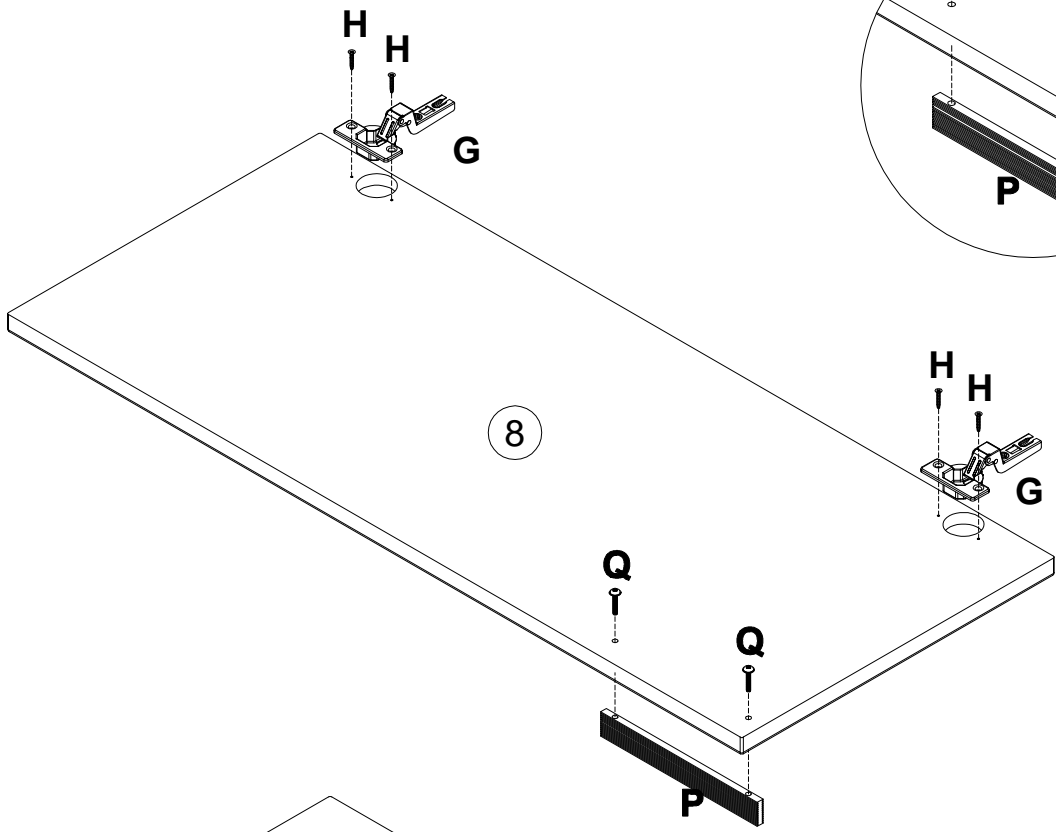
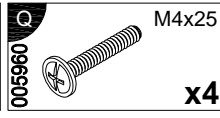
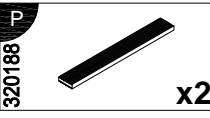
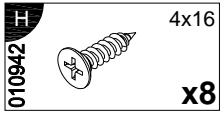
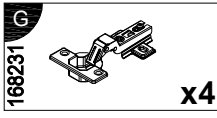
3x20

 $L1=L2$ 




10





12

