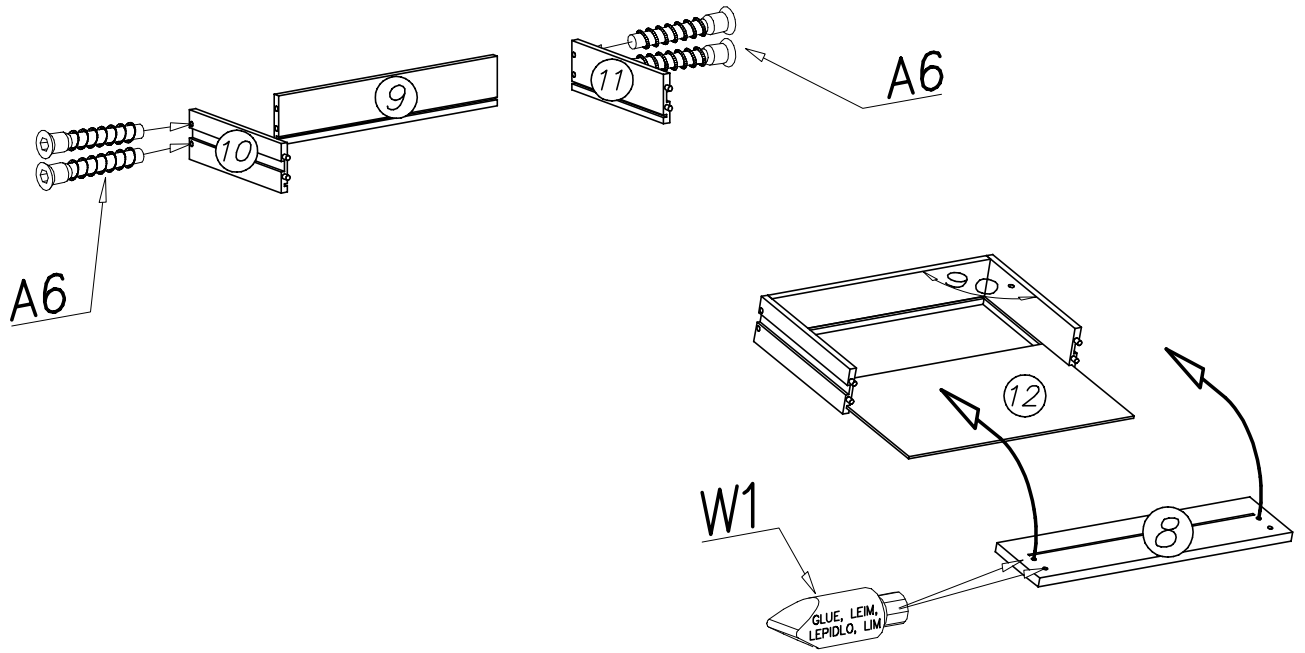


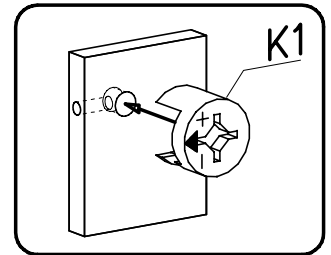
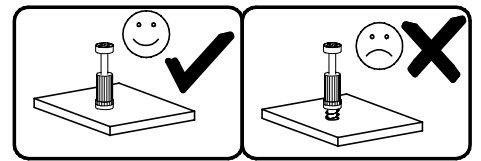
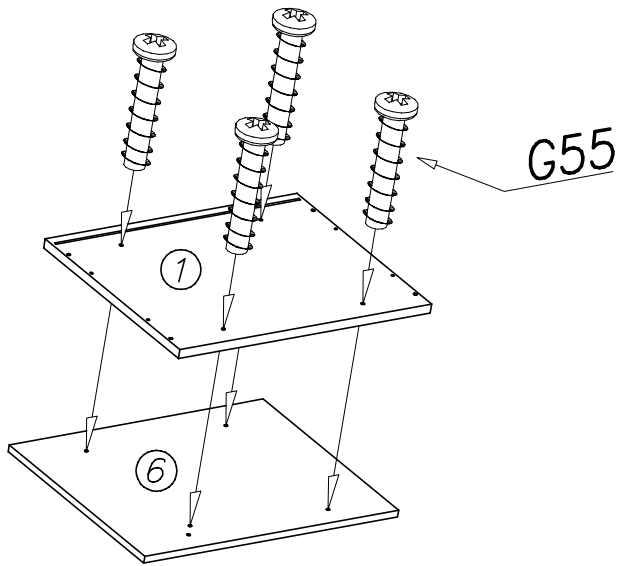
G42		G34	
6x14	x...(4)	3,5x16	x...(1)

U15L		U15R		H2		246mm	x...(2)	F4		x...(1)	
K1		G55		N1		M4x9	x...(2)	l1		x...(2)	
Ø15x12	x...(8)	6x22	x...(4)	W2		A6		W1		GLUE, LEIM, LEPIDLO, LIM	x...(1)
K10		G50		W2		A6		B2		Ø6x35	x...(8)
x...(8)	6x13	x...(4)	x...(1)	x...(1)	Ø7x40	x...(4)	Ø6x35	x...(8)			

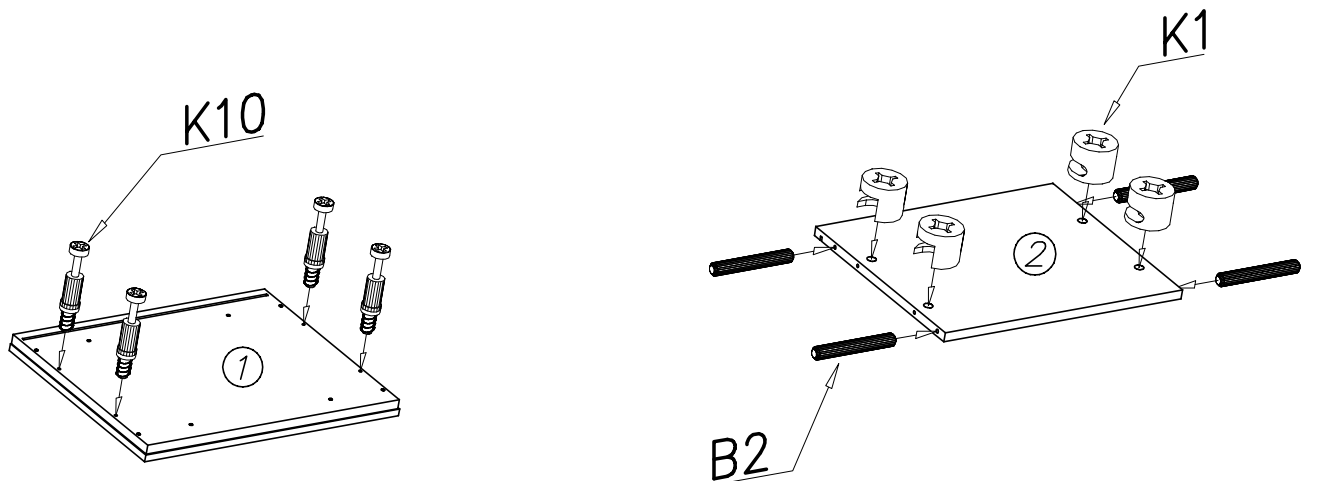
I



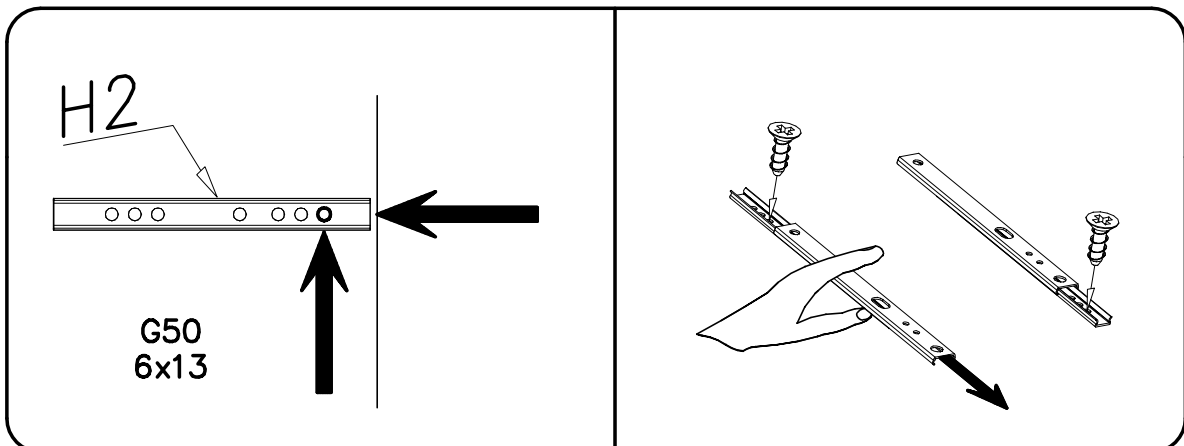
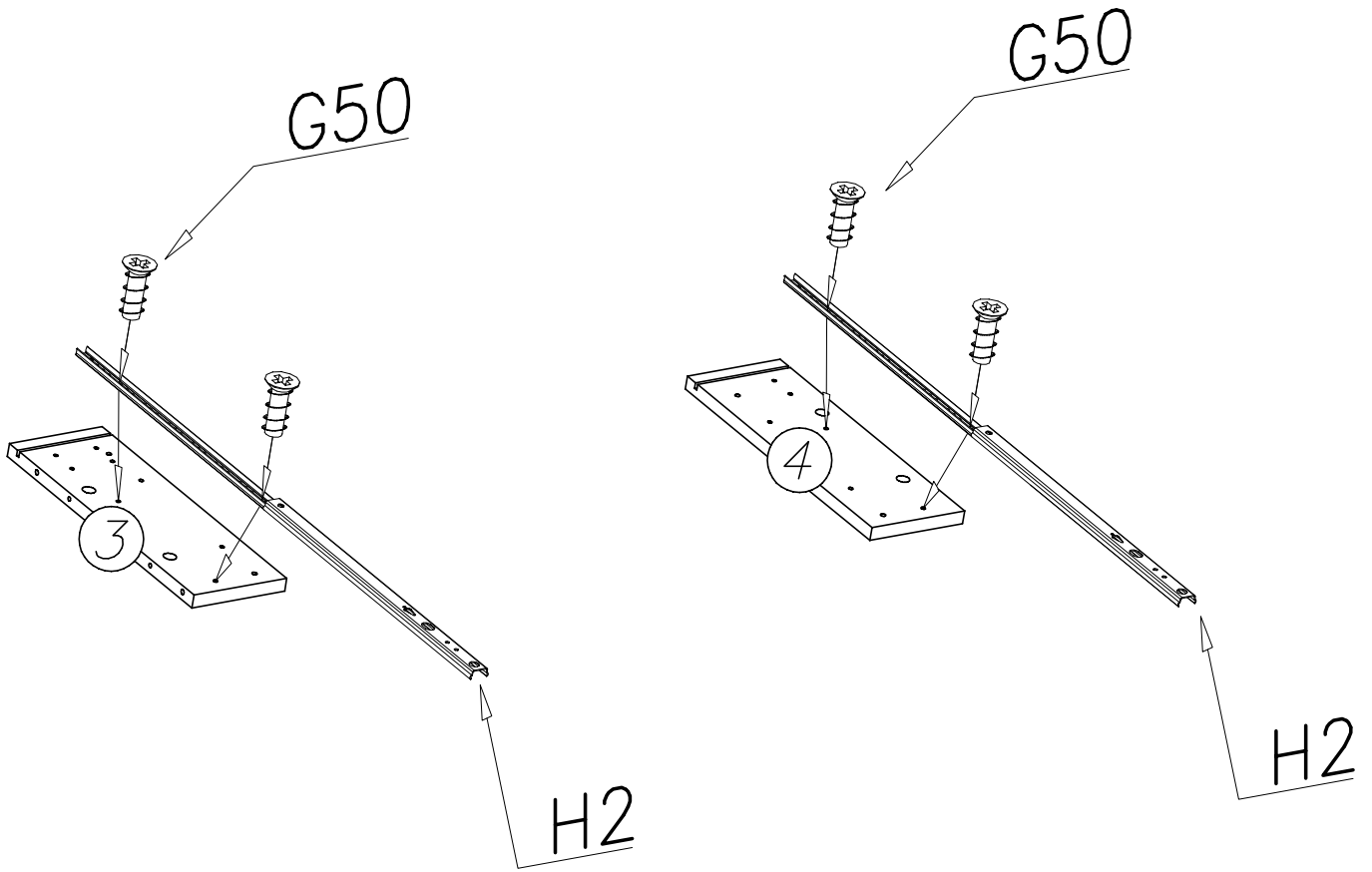
II



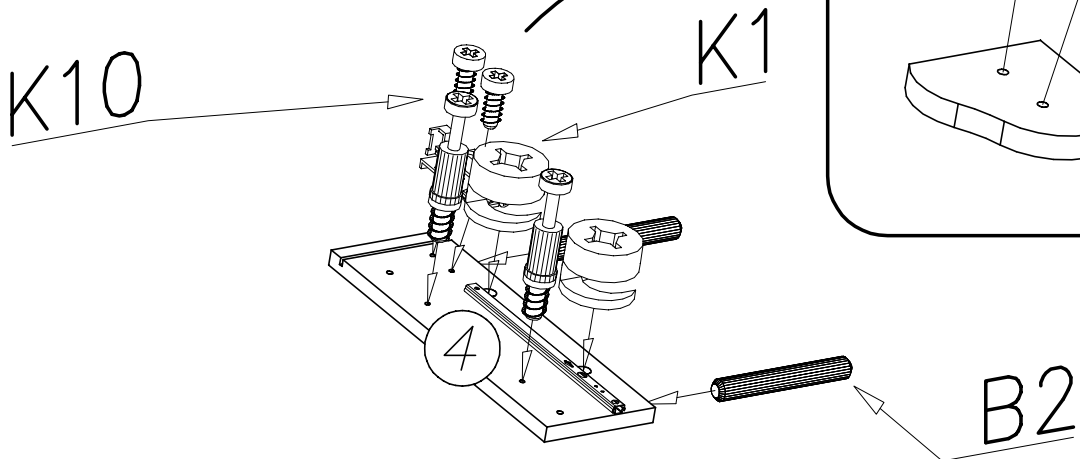
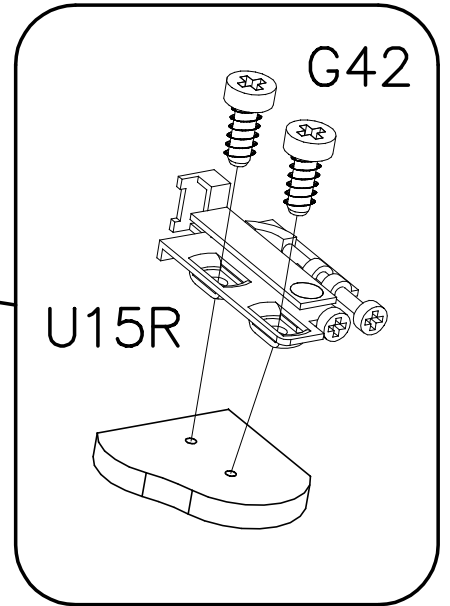
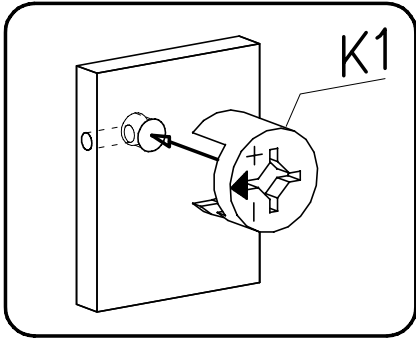
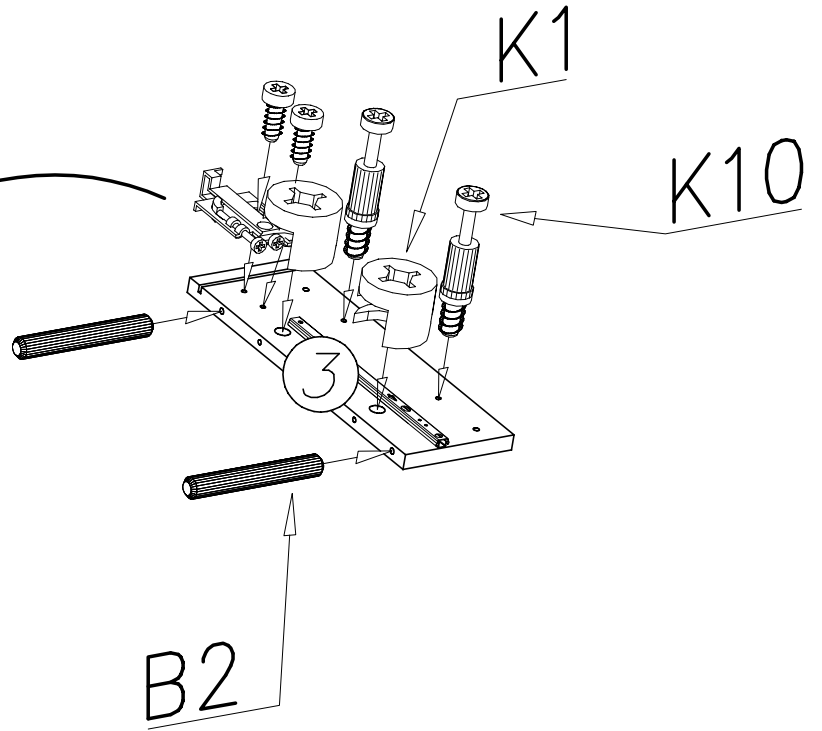
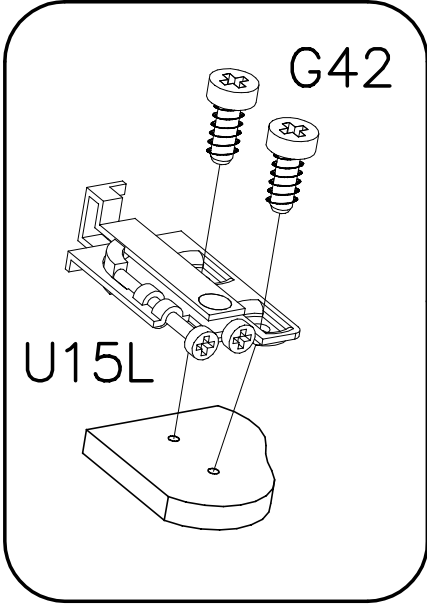
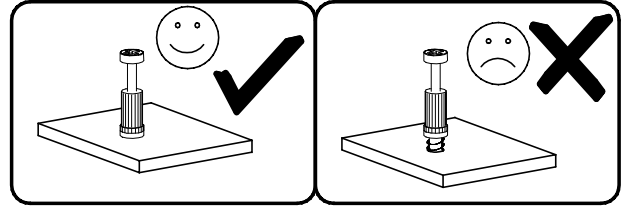
II



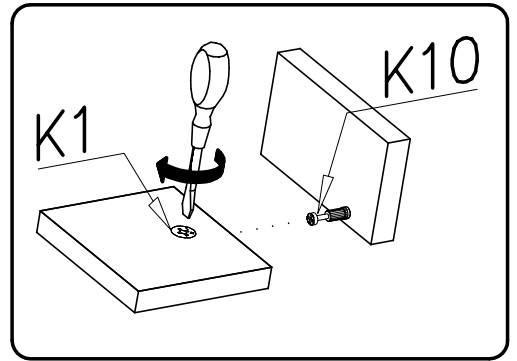
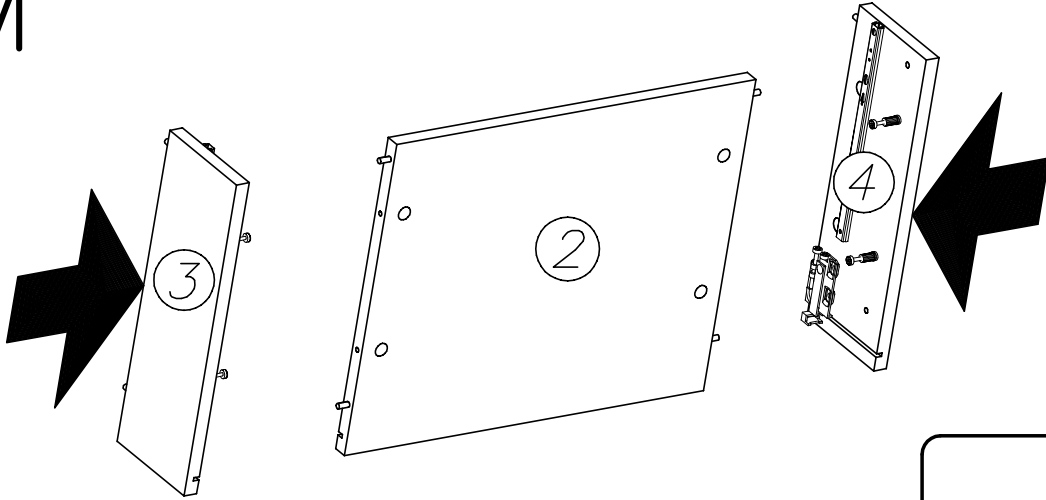
IV



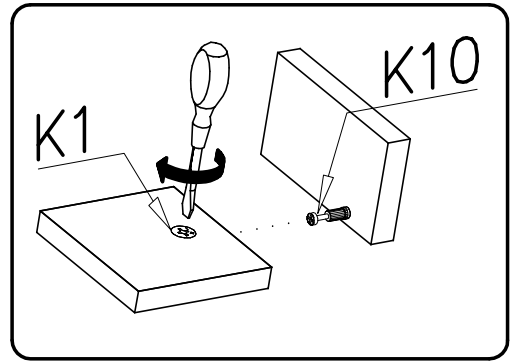
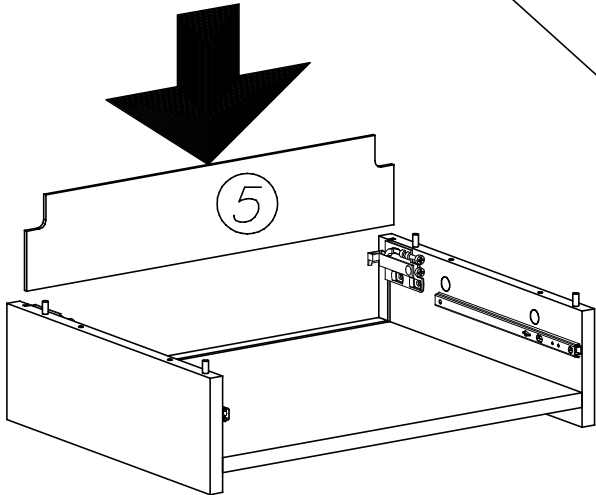
V



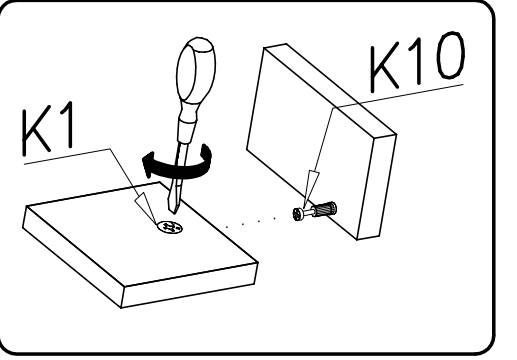
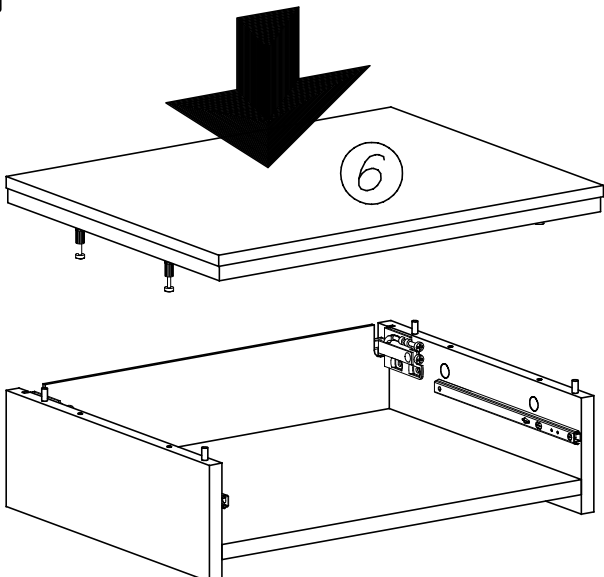
VI



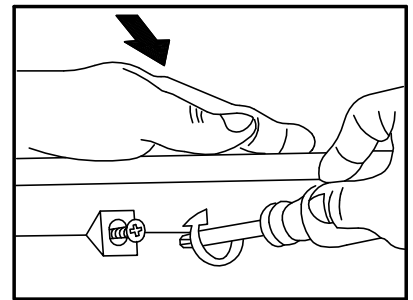
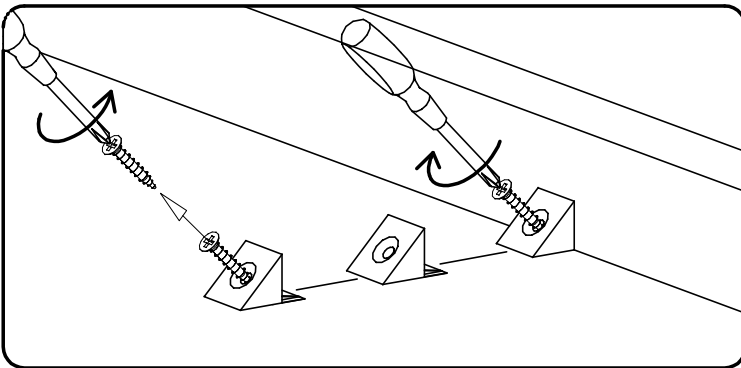
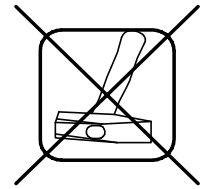
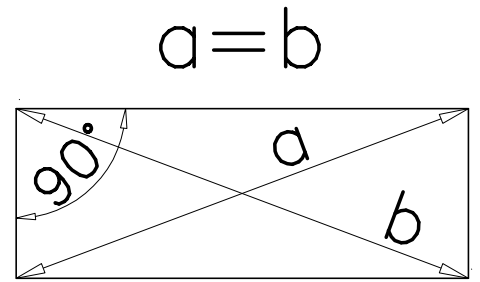
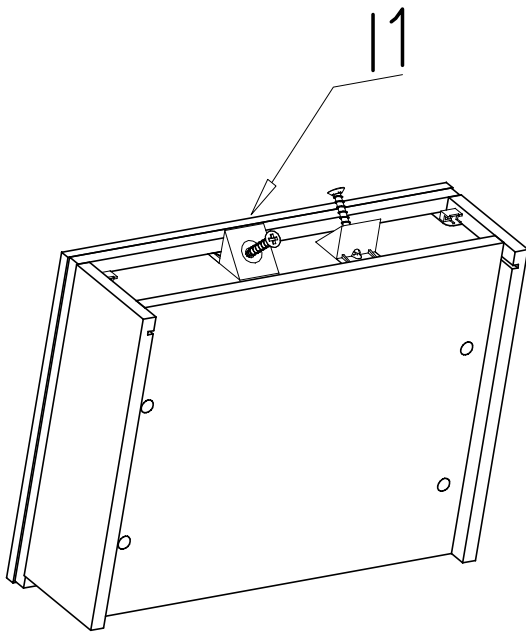
VII



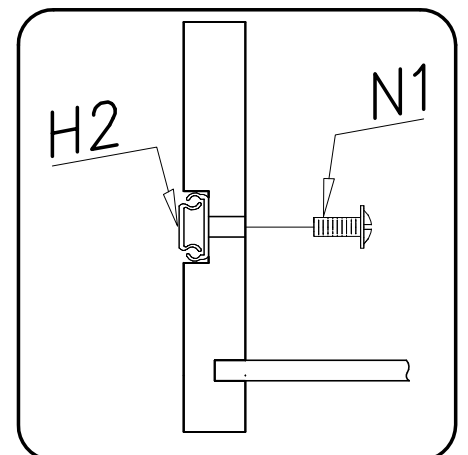
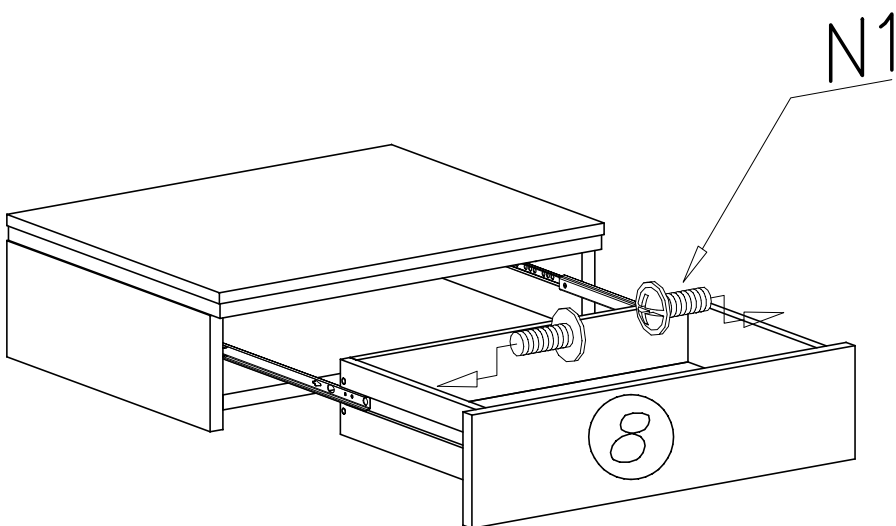
VIII



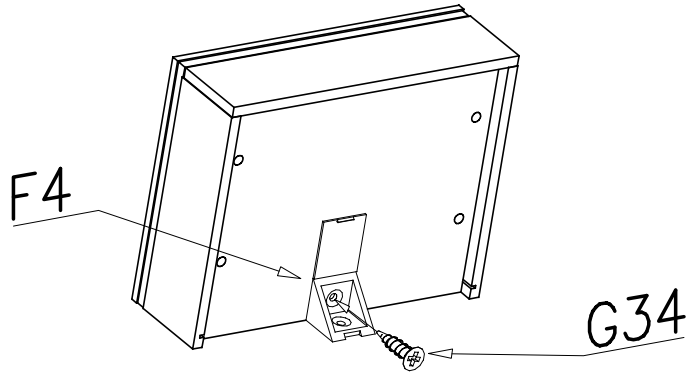
IX



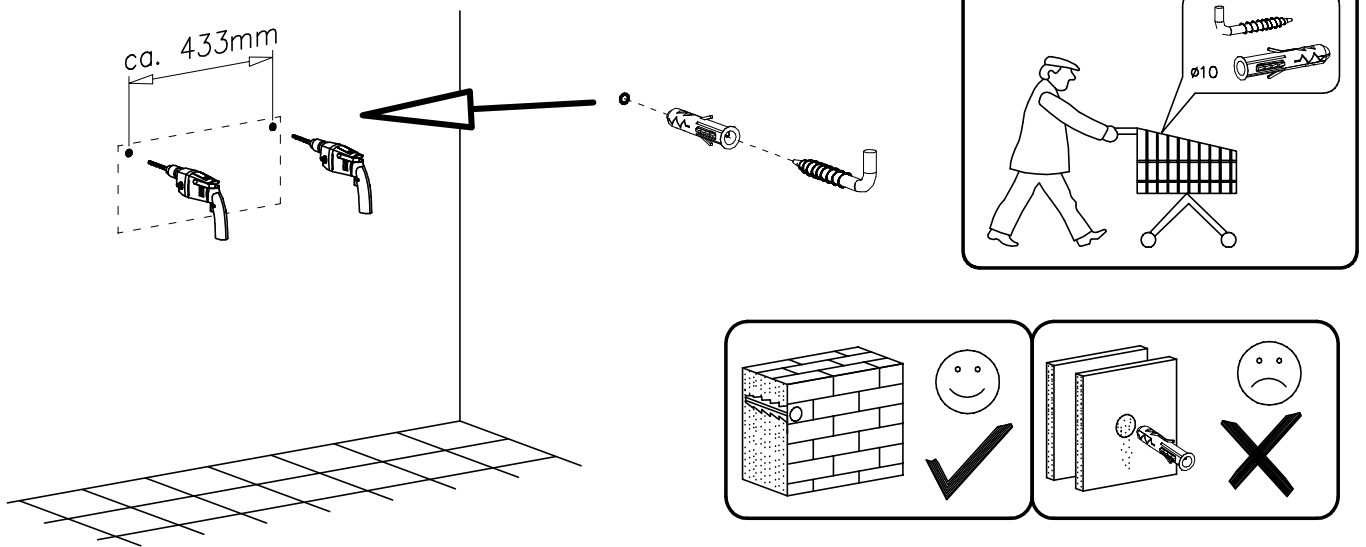
X



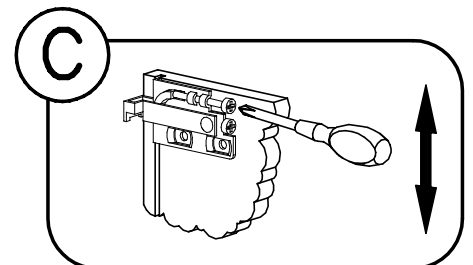
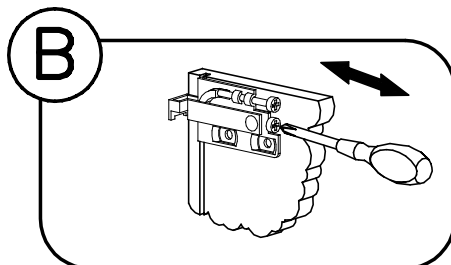
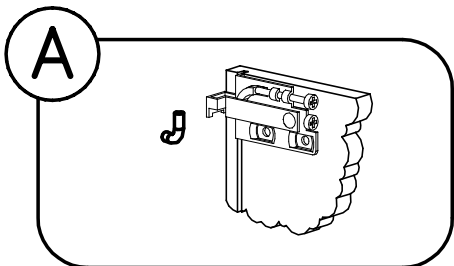
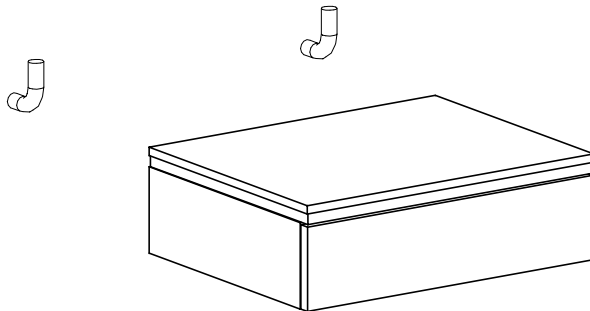
XI



XII

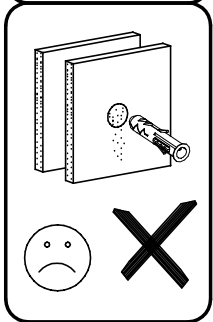
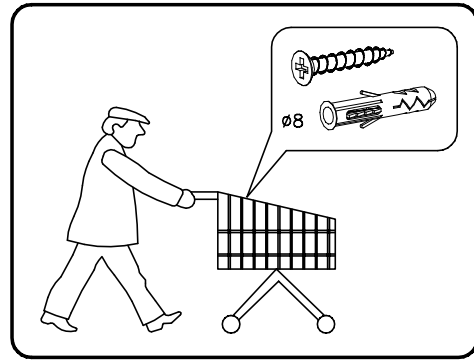
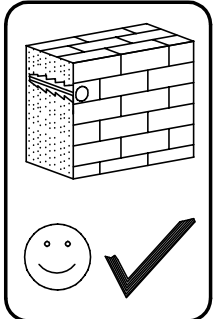


XIII



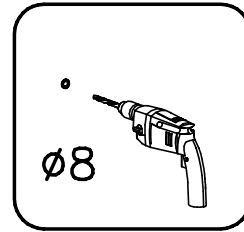
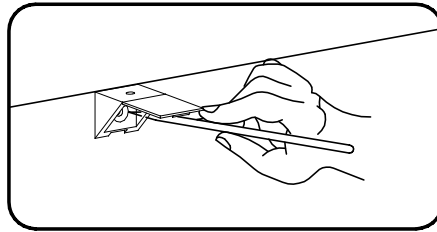


XIV



1

2



3

4

