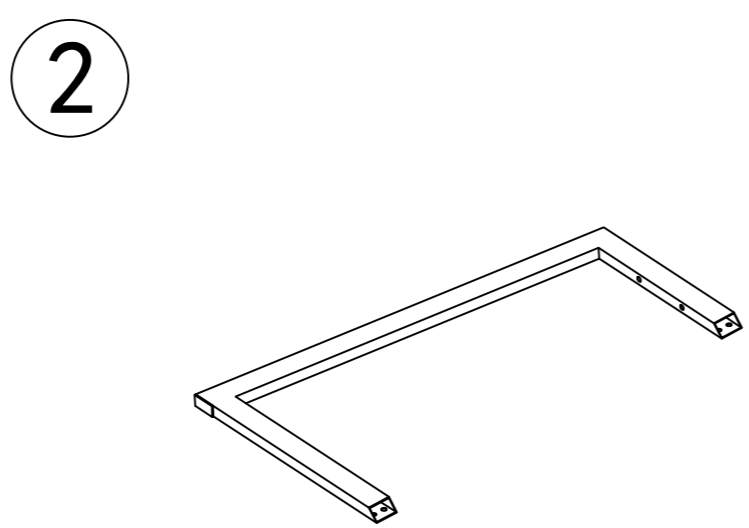
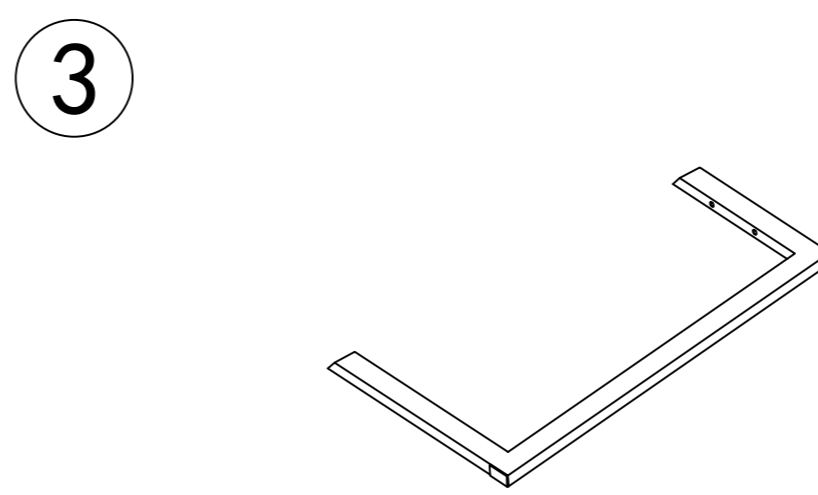


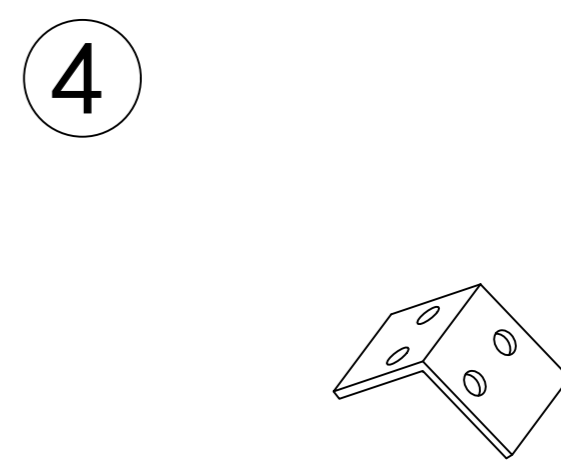
x1



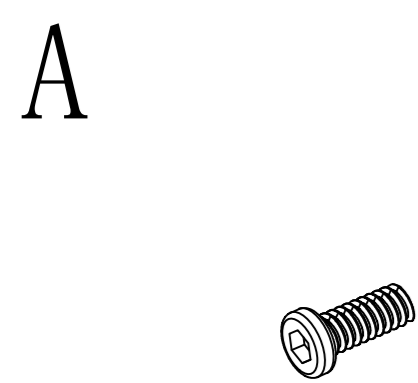
x2



x2

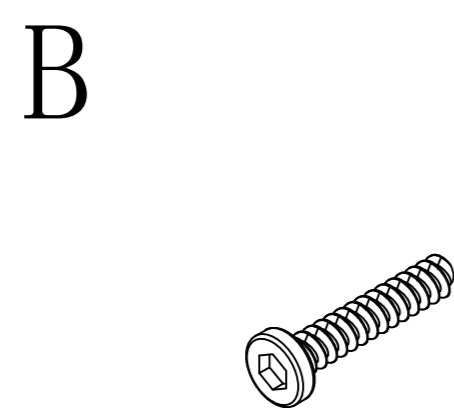


x4

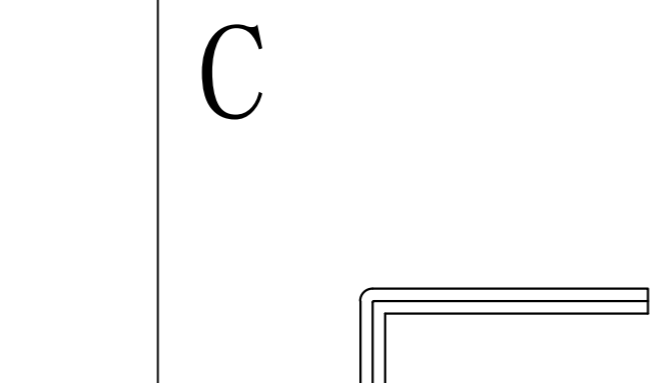


M6x13

x16



M8*55



X8 M5

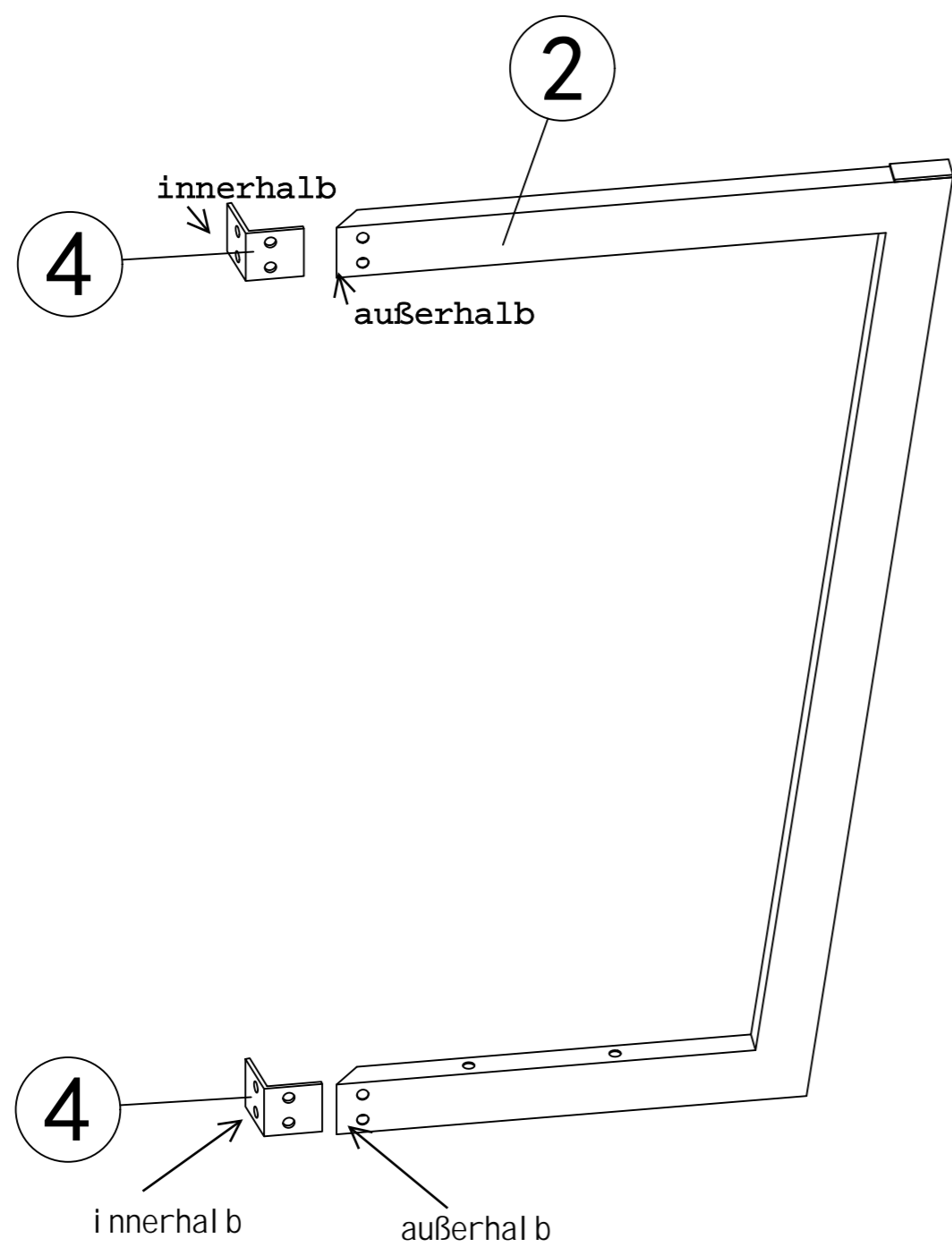
x1

D

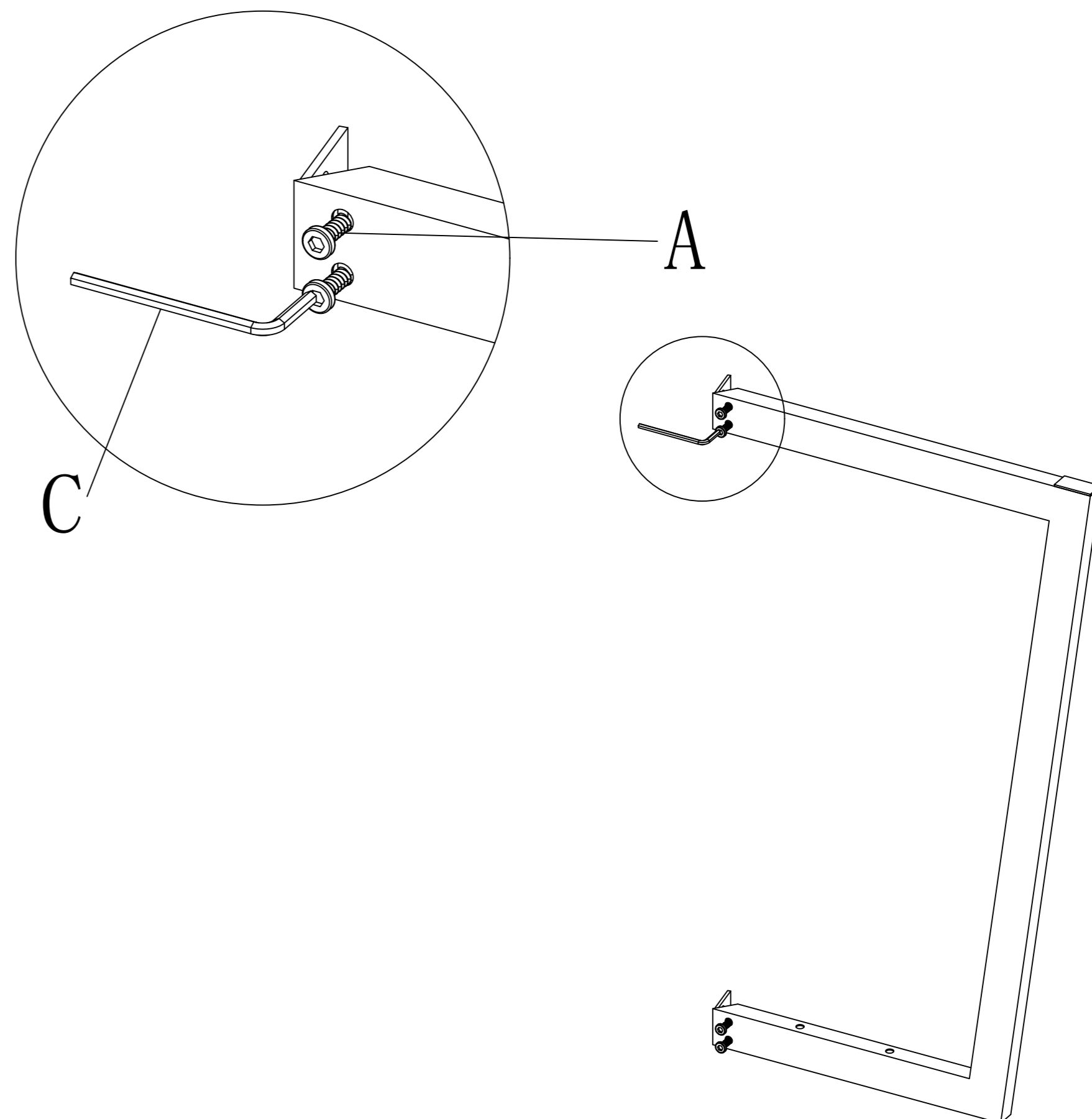
E

F

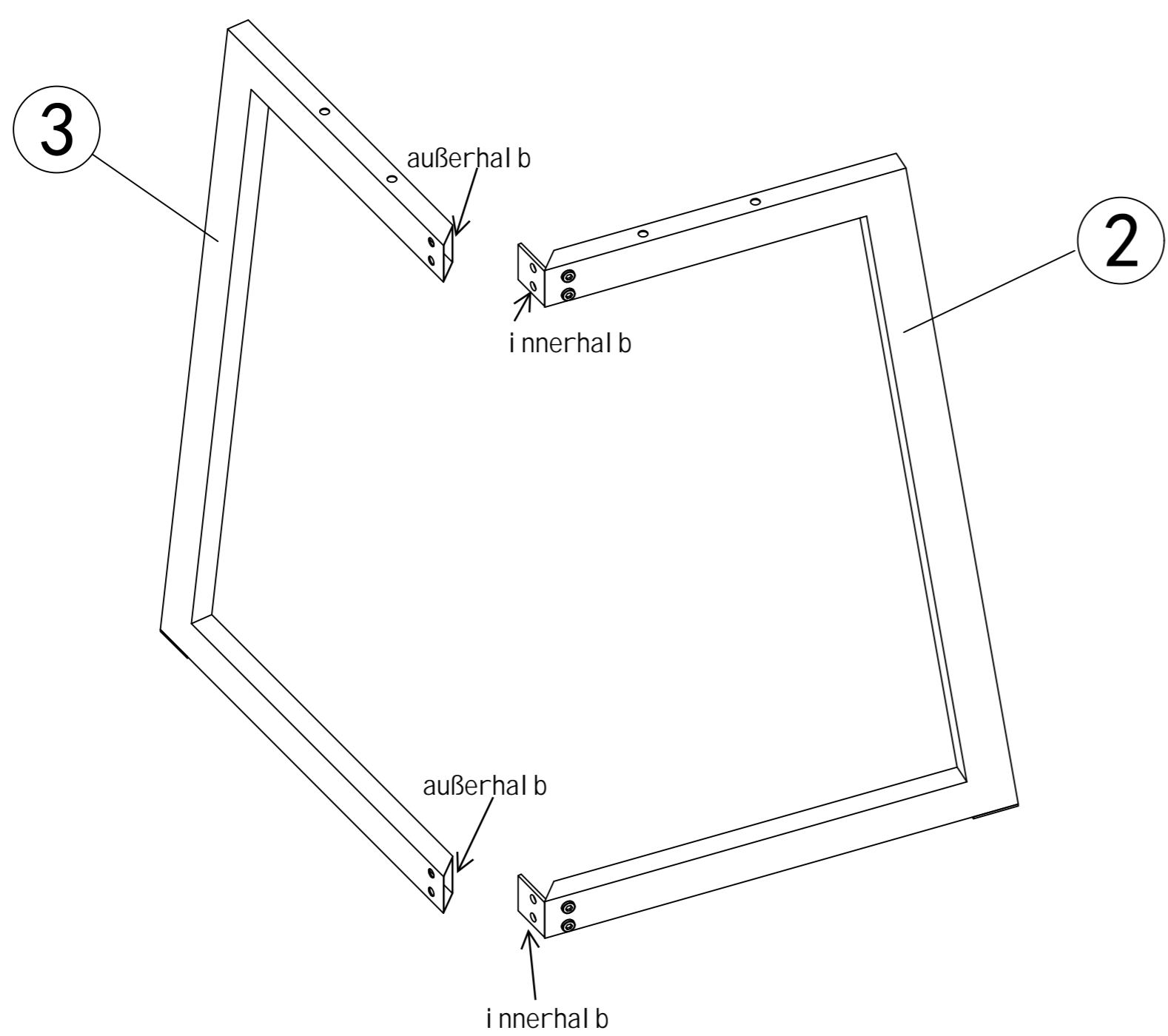
STEP 1



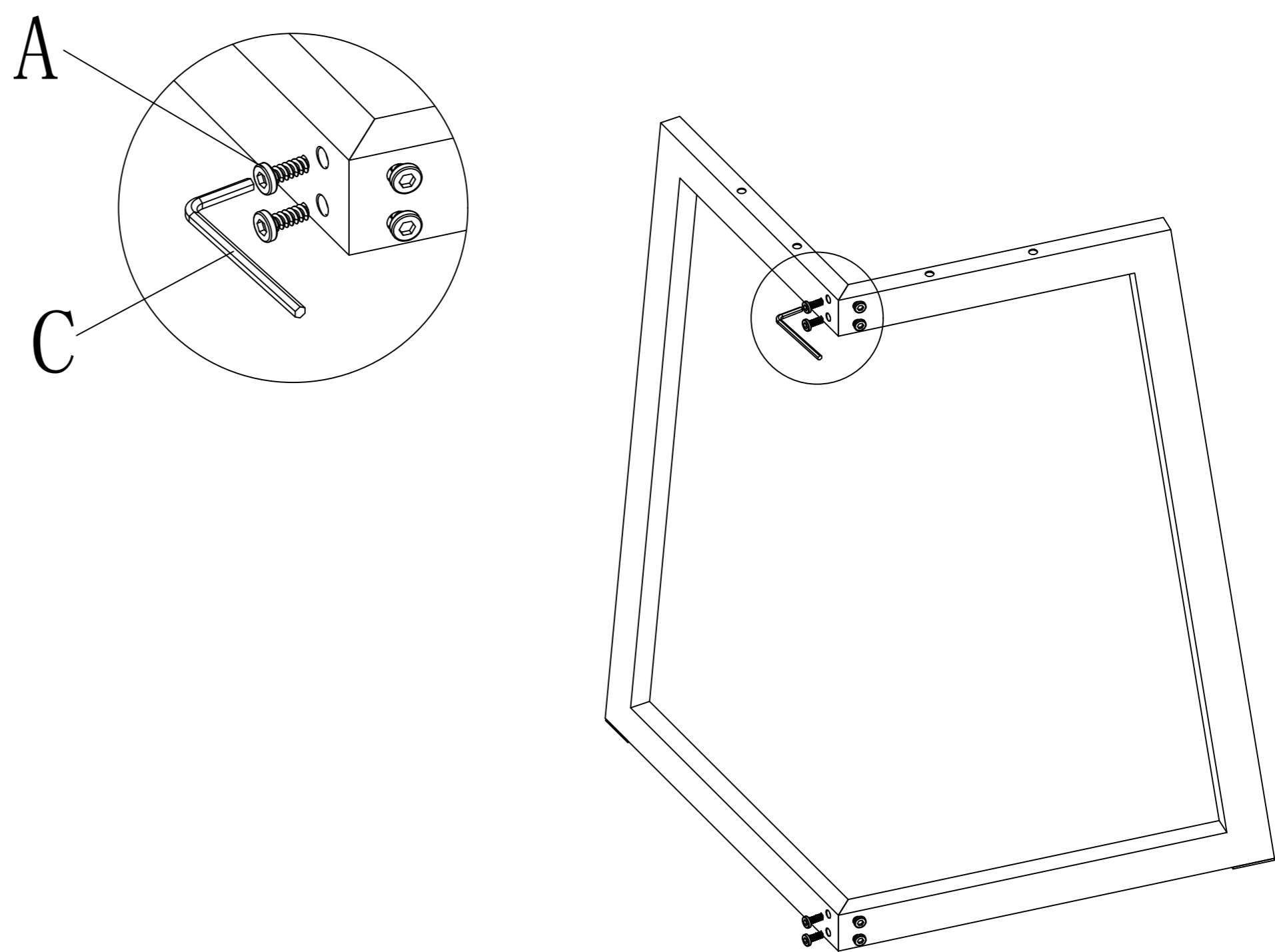
STEP 2



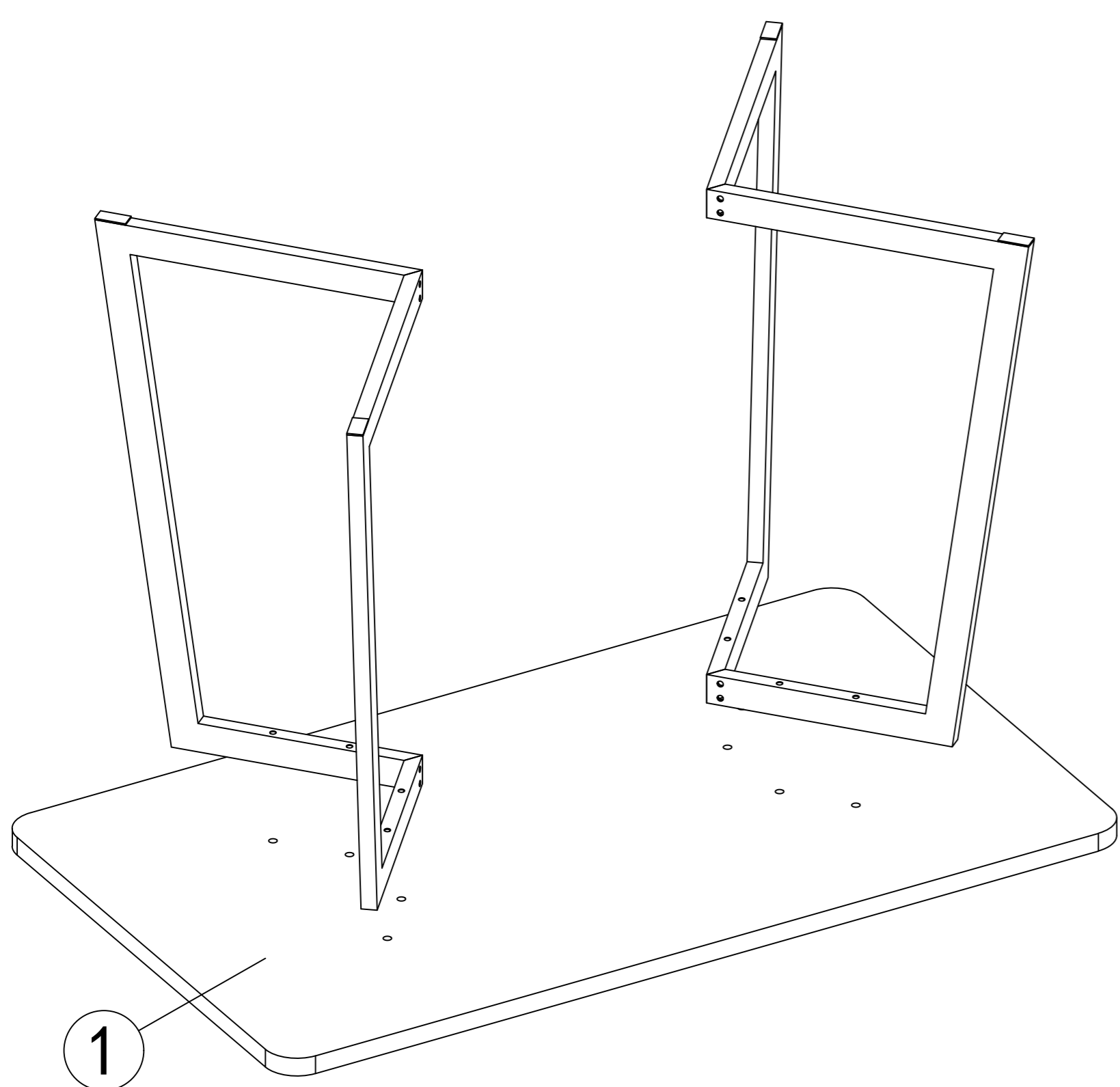
STEP 3



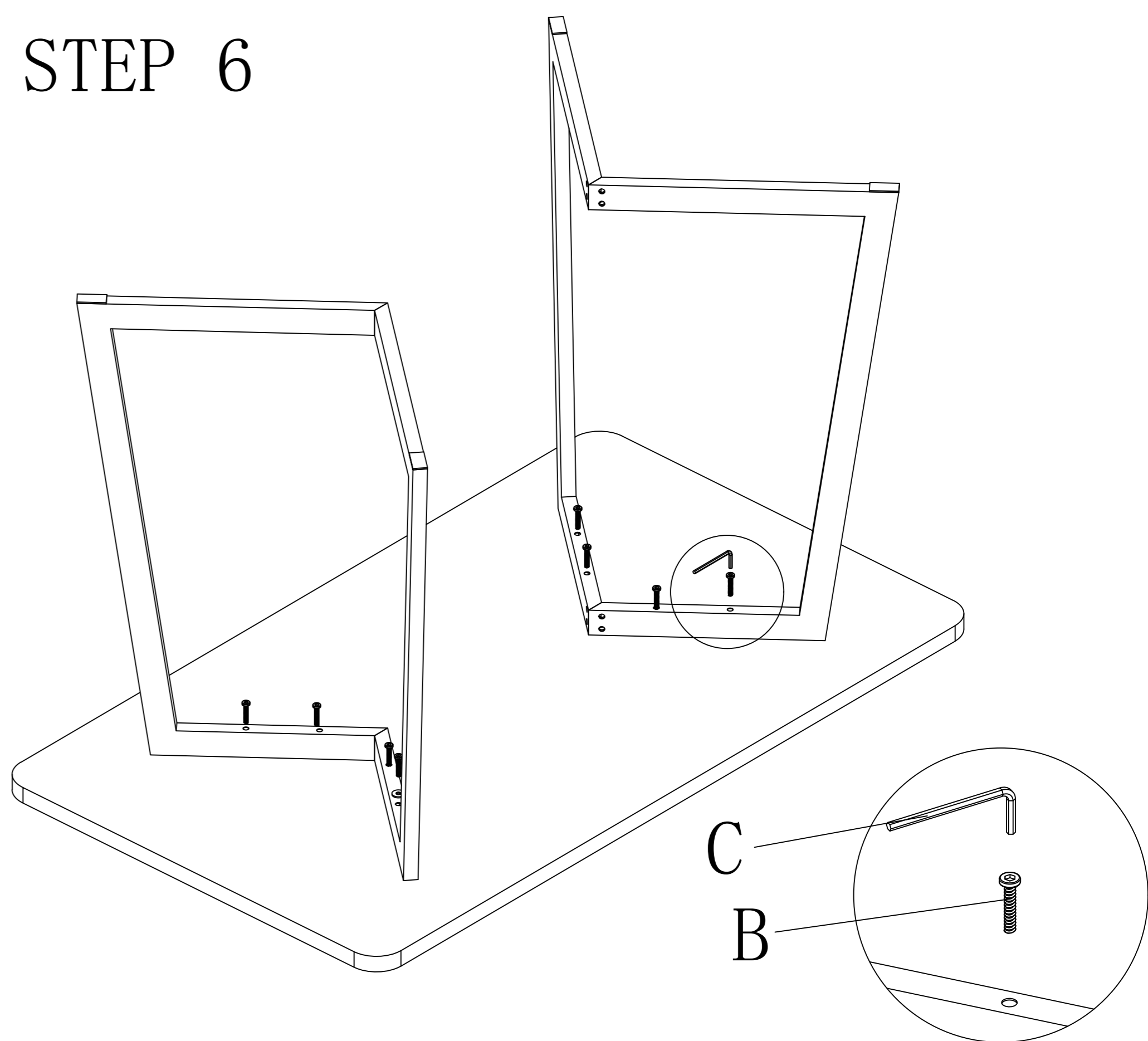
STEP 4



STEP 5



STEP 6



STEP 7

