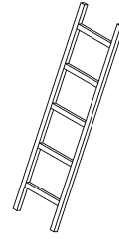
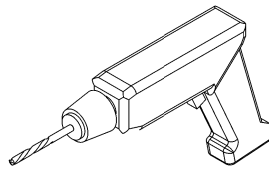
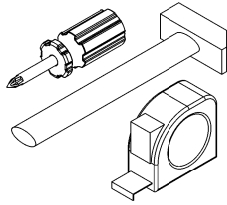
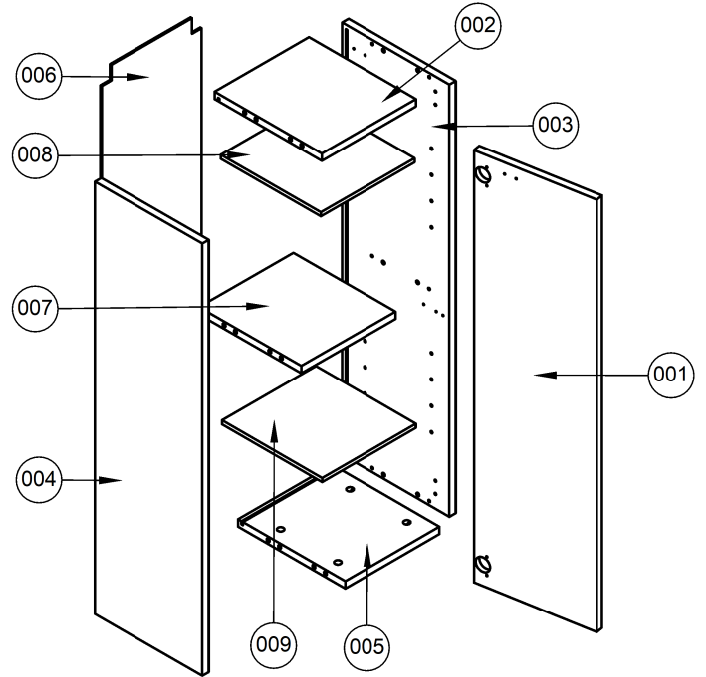
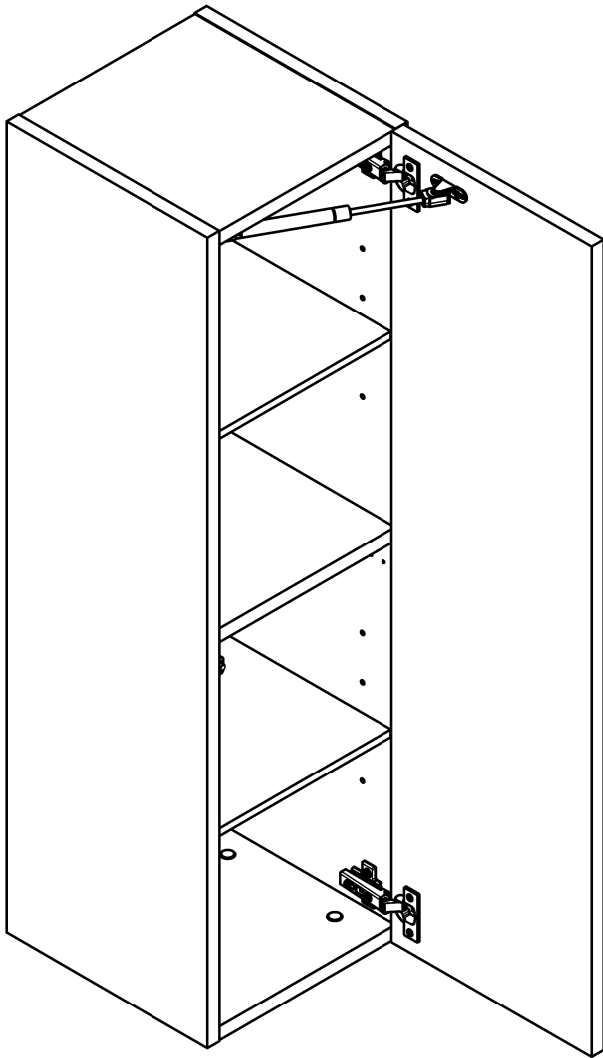


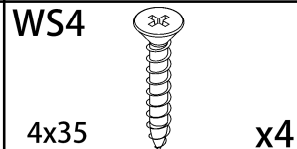
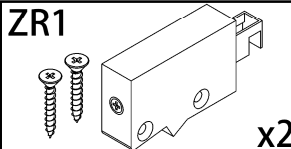
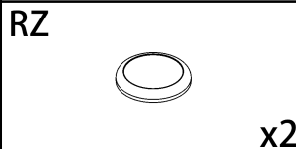
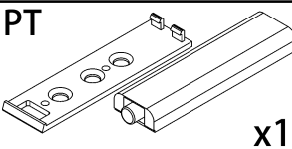
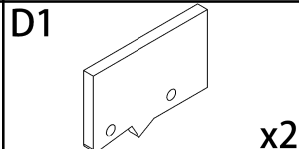
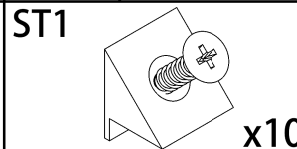
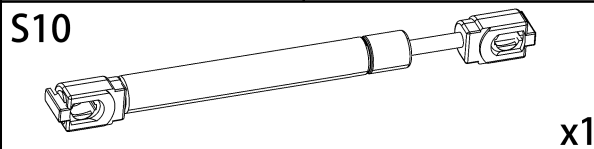
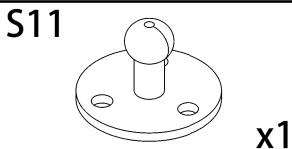
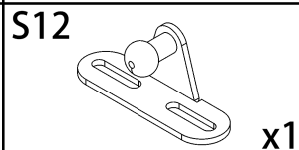
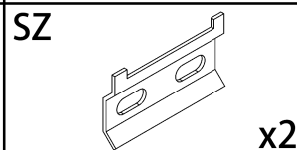
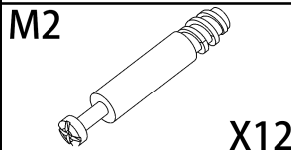
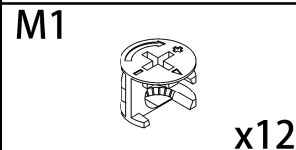
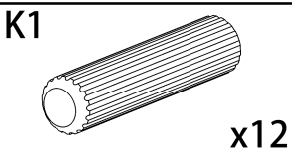
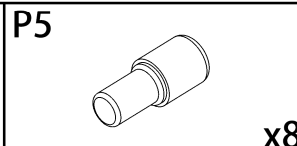
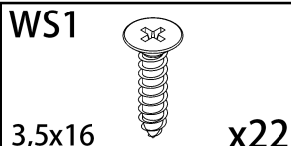
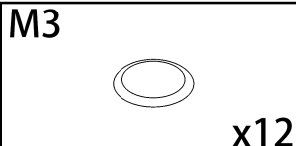
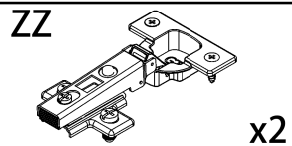
- 30 min.

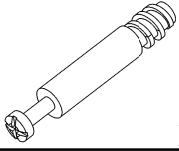

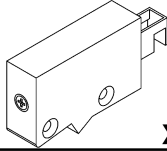

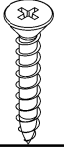
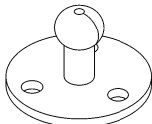
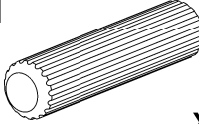
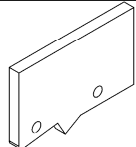
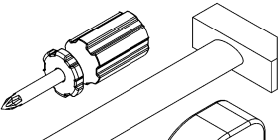


105Pi

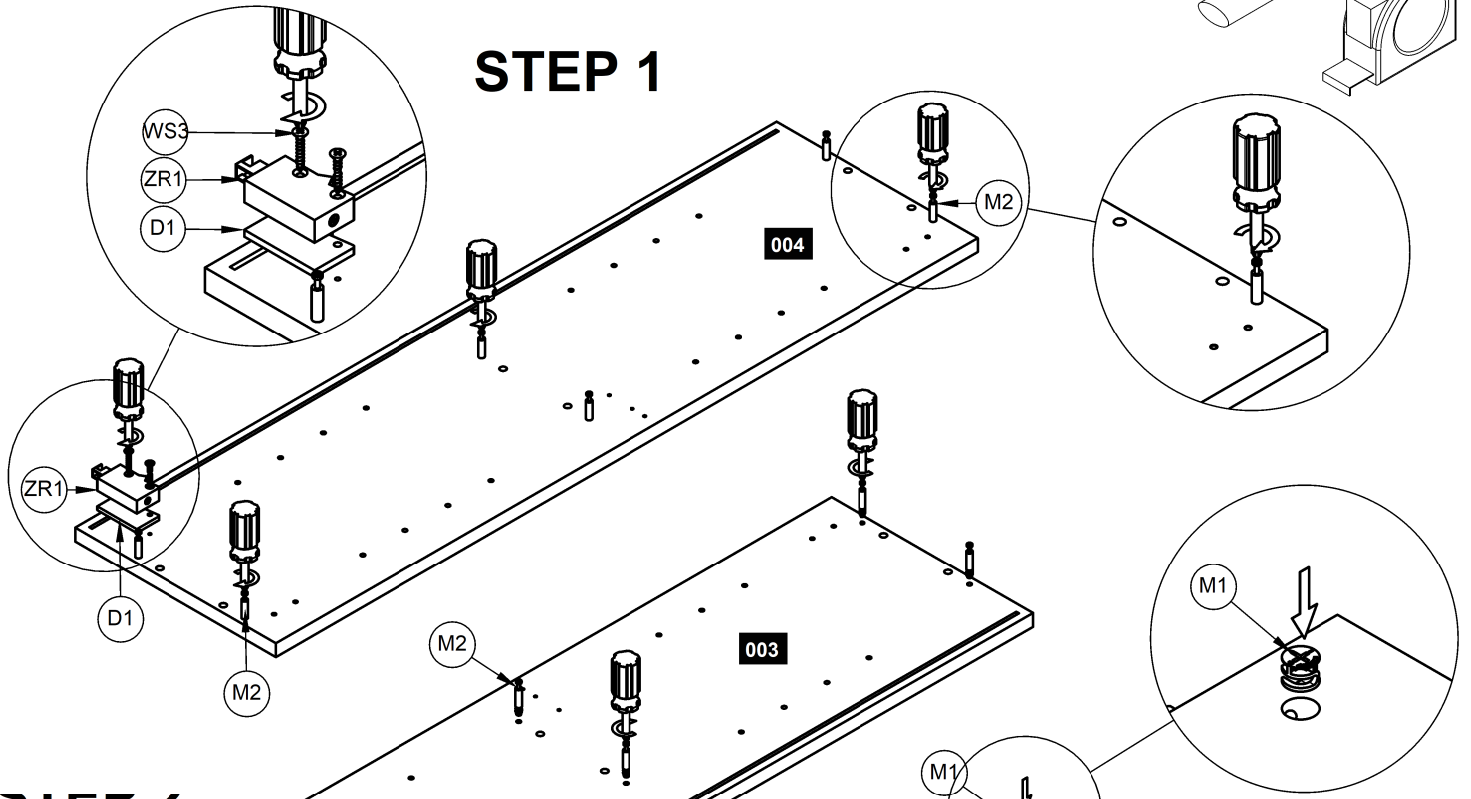


Number	Qty	Size A	Size B
001	1	1050	298
002	1	264	300
003	1	1050	301
004	1	1050	301
005	1	264	300
006	1	1028	280
007	1	264	286
008	1	263	280
009	1	263	280

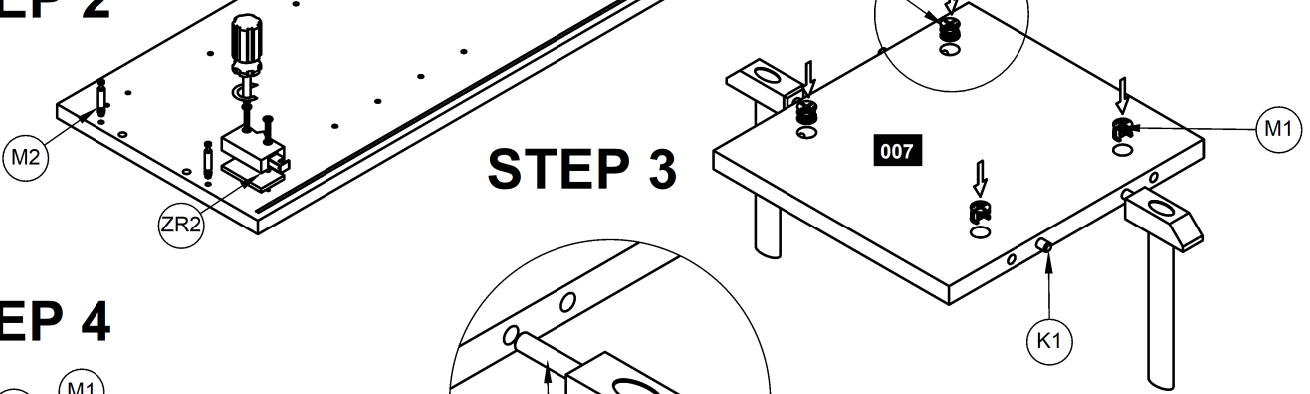


M2  x12	M1  x12	ZR1  x2	WS1 3,5x16  x22	WS4 4x35  x4
S11  x1	K1  x12	D1  x2		

STEP 1

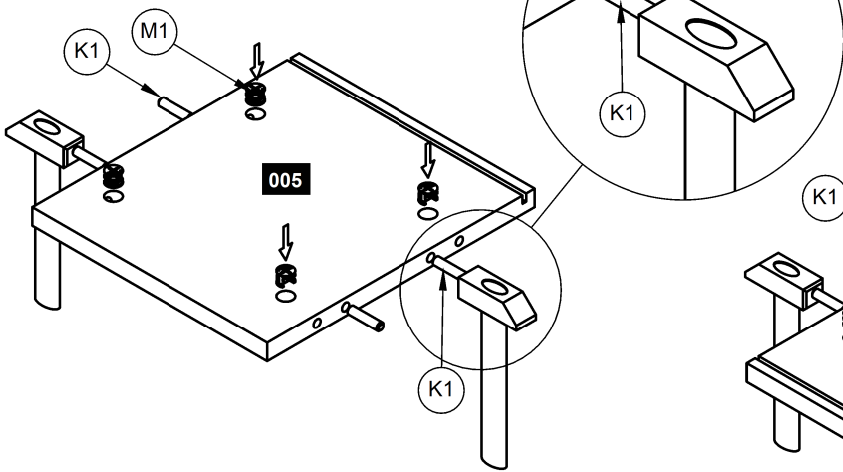


STEP 2

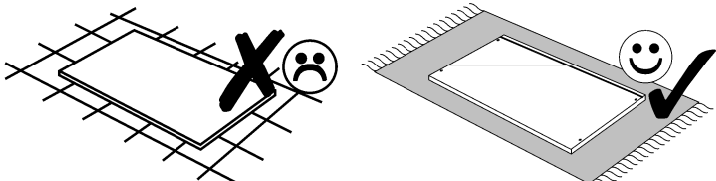
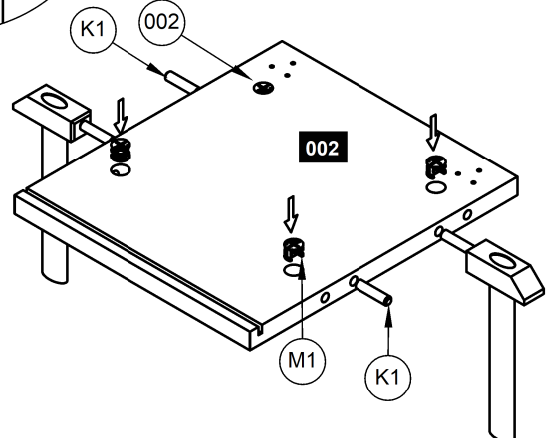


STEP 3

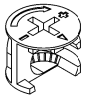
STEP 4



STEP 5

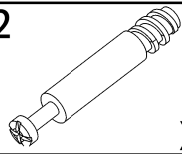


M1

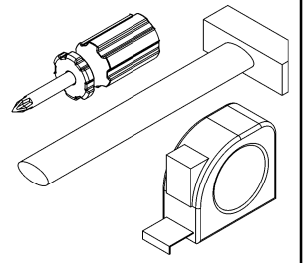


x12

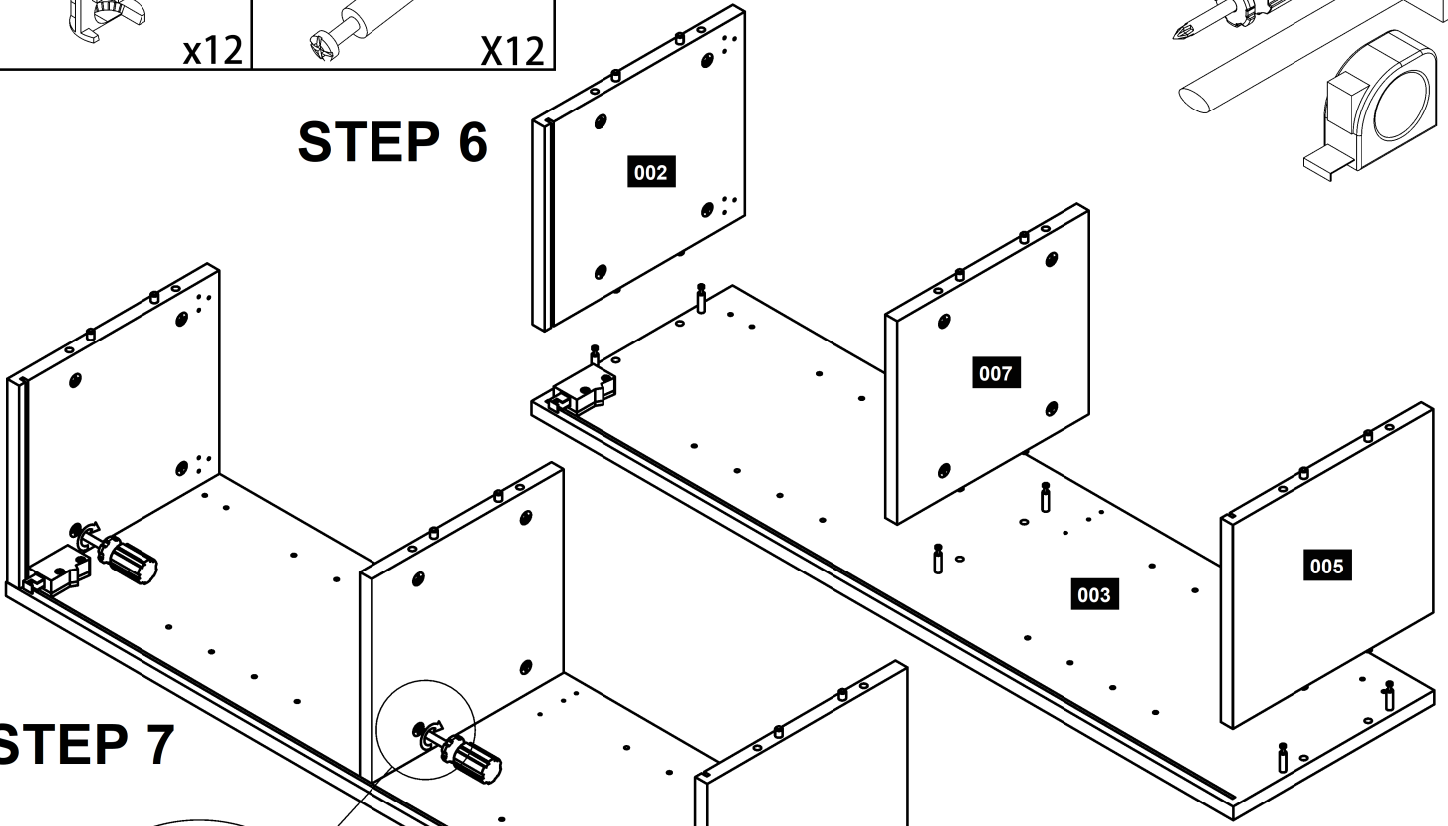
M2



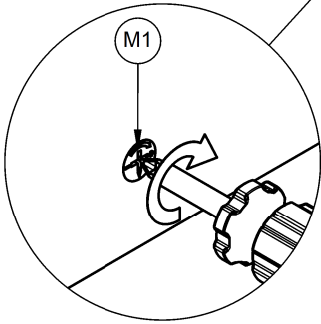
x12



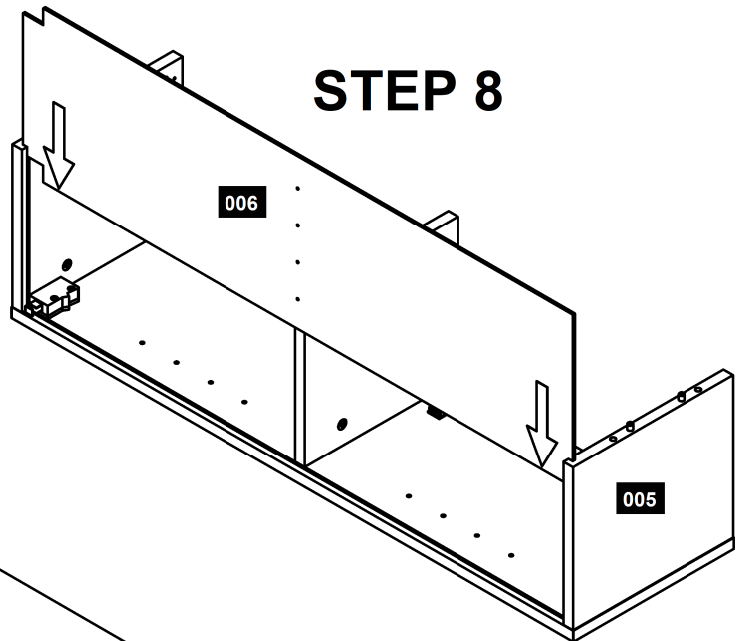
STEP 6



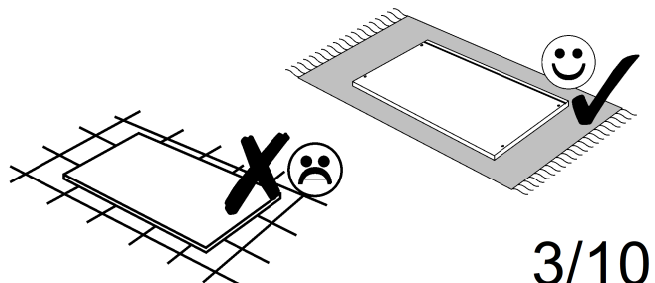
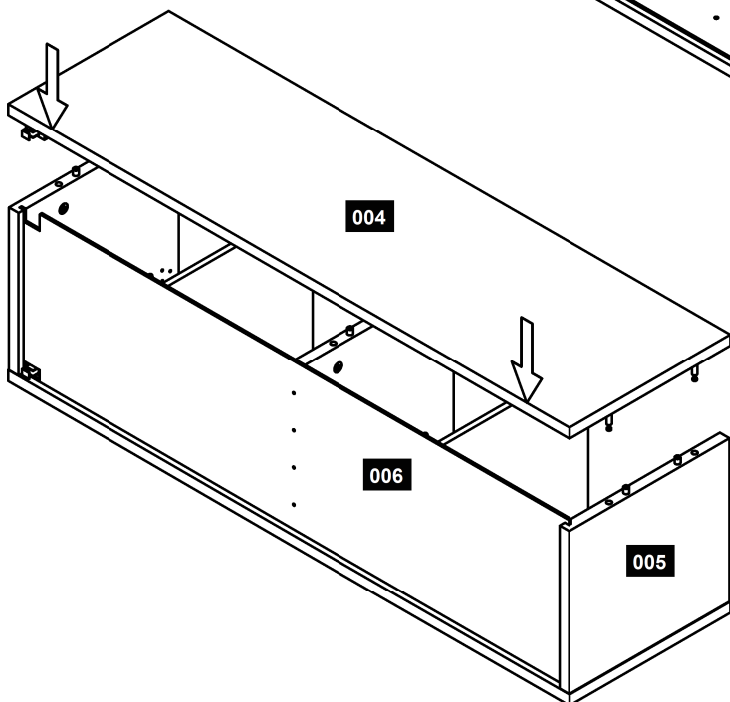
STEP 7



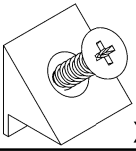
STEP 8



STEP 9

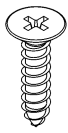


ST1



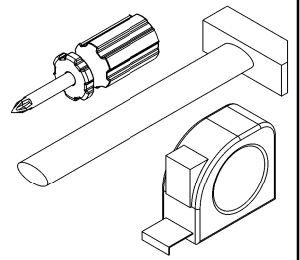
x10

WS1

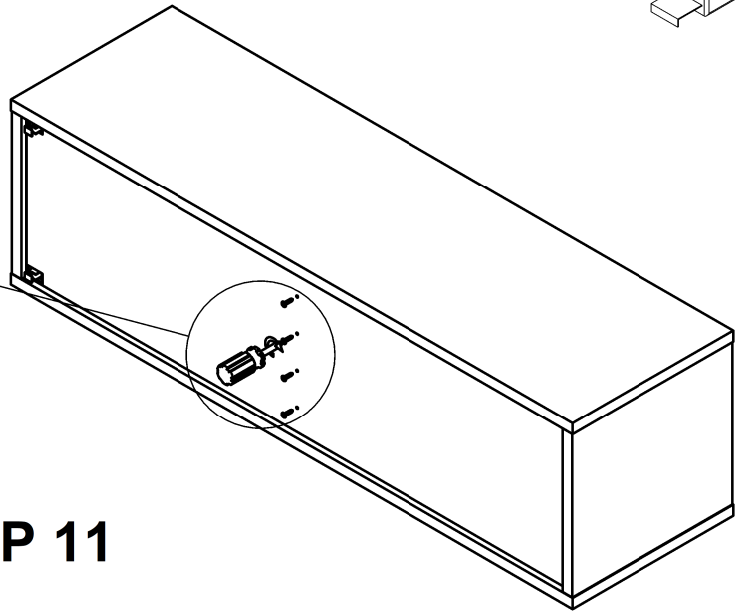
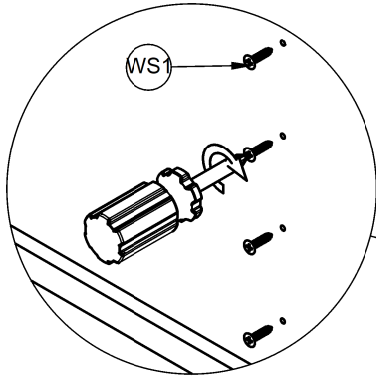


3,5x16

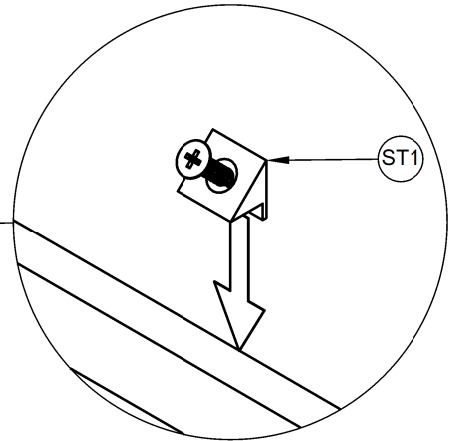
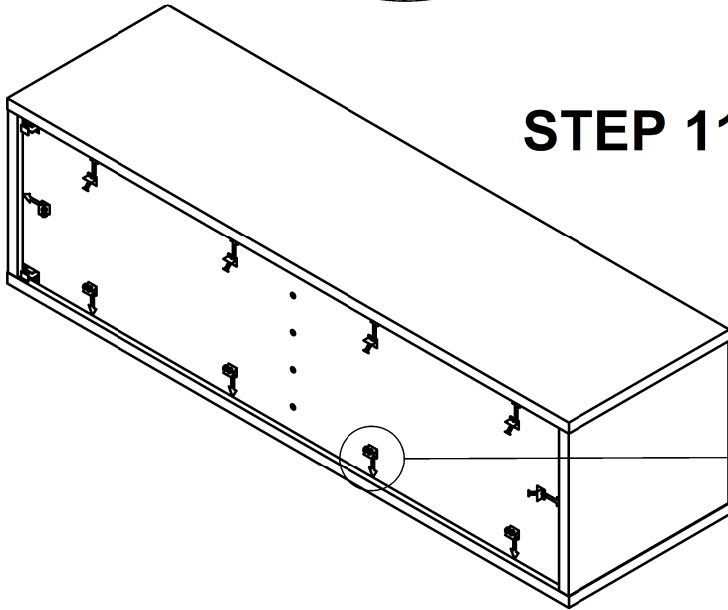
x20



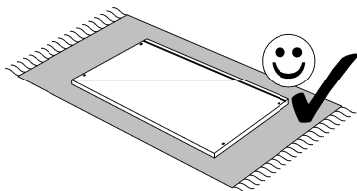
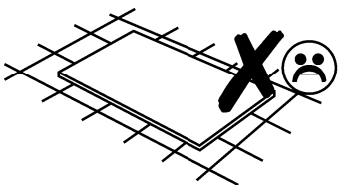
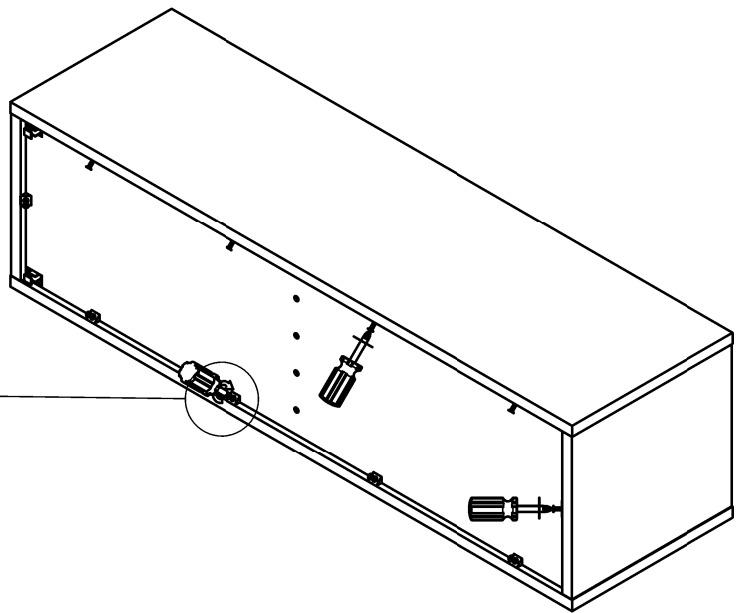
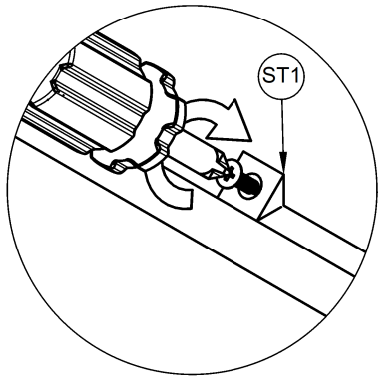
STEP 10





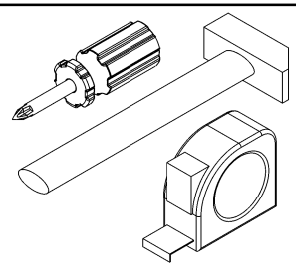
STEP 11



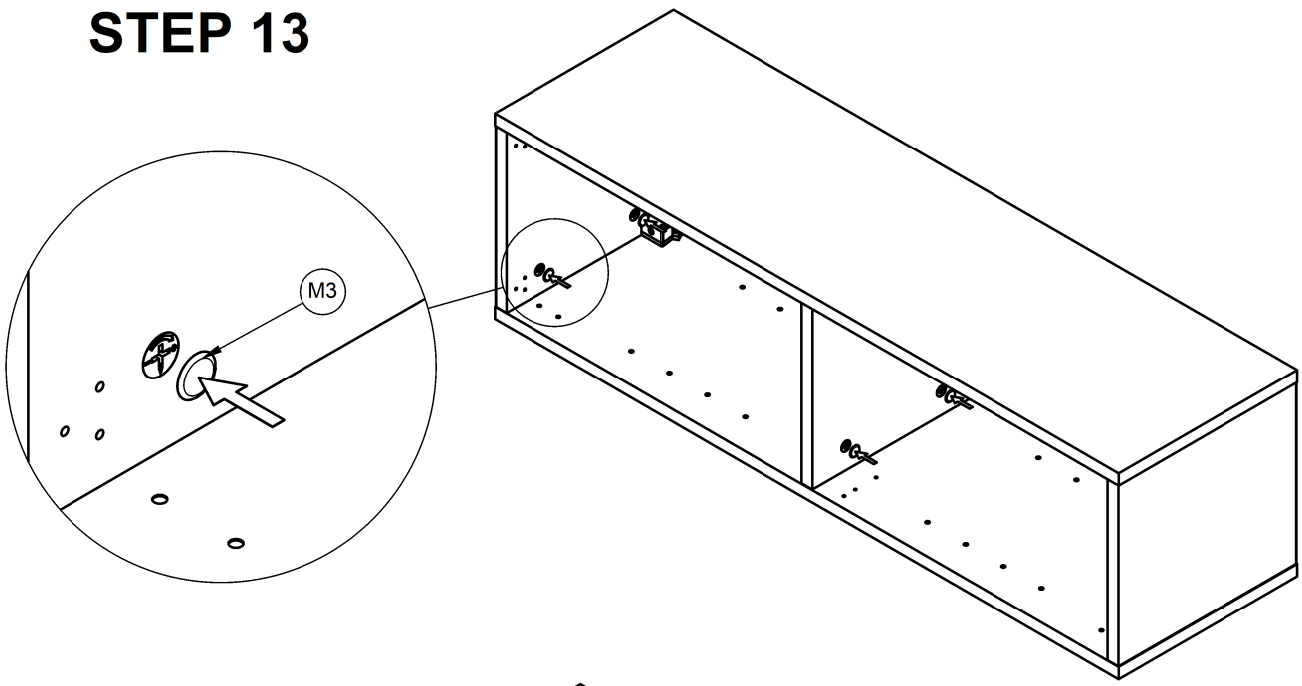
STEP 12



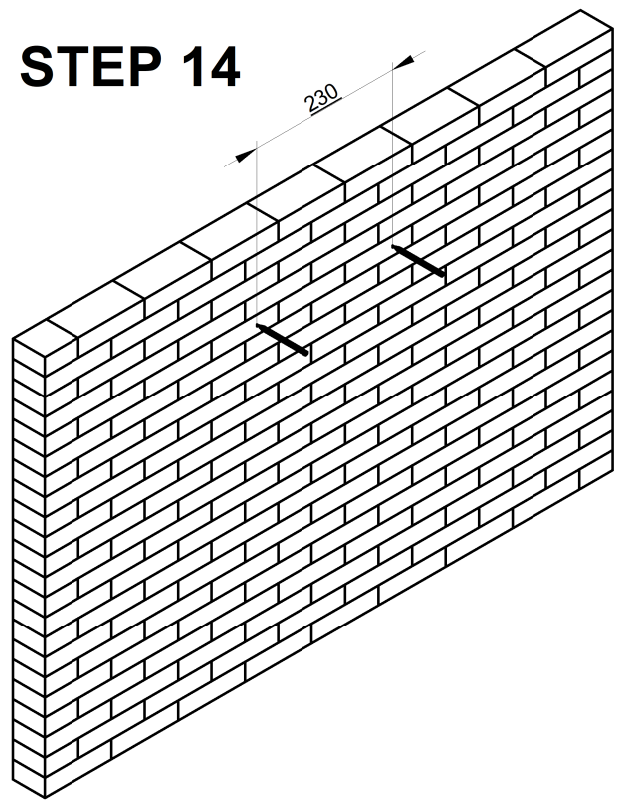
<p>WS1</p>  <p>3,5x16</p> <p>x22</p>	<p>M3</p>  <p>x12</p>
--	---



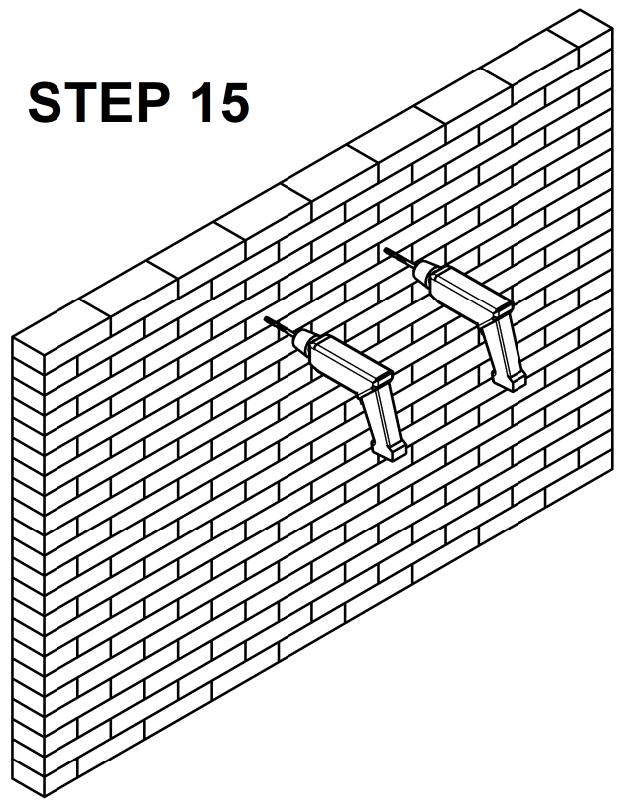
STEP 13

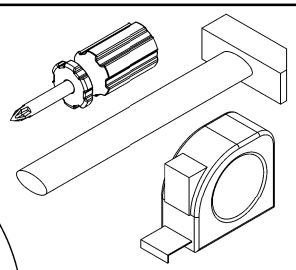
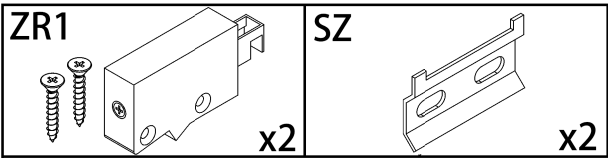


STEP 14

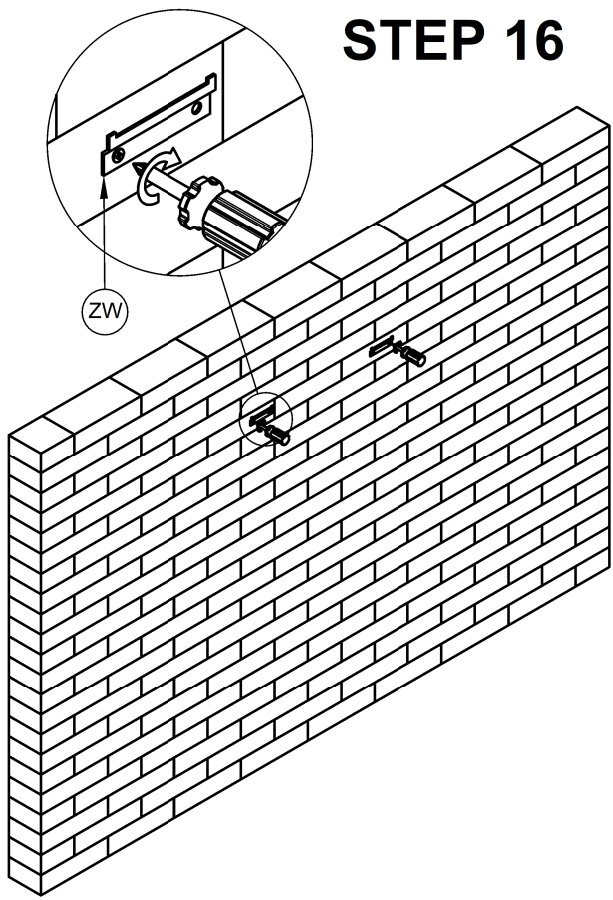


STEP 15

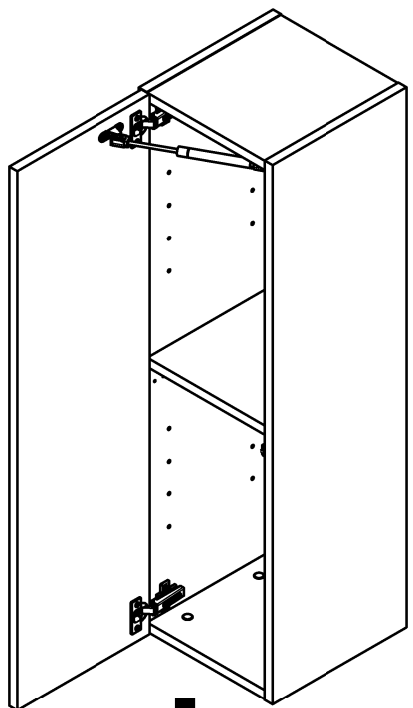
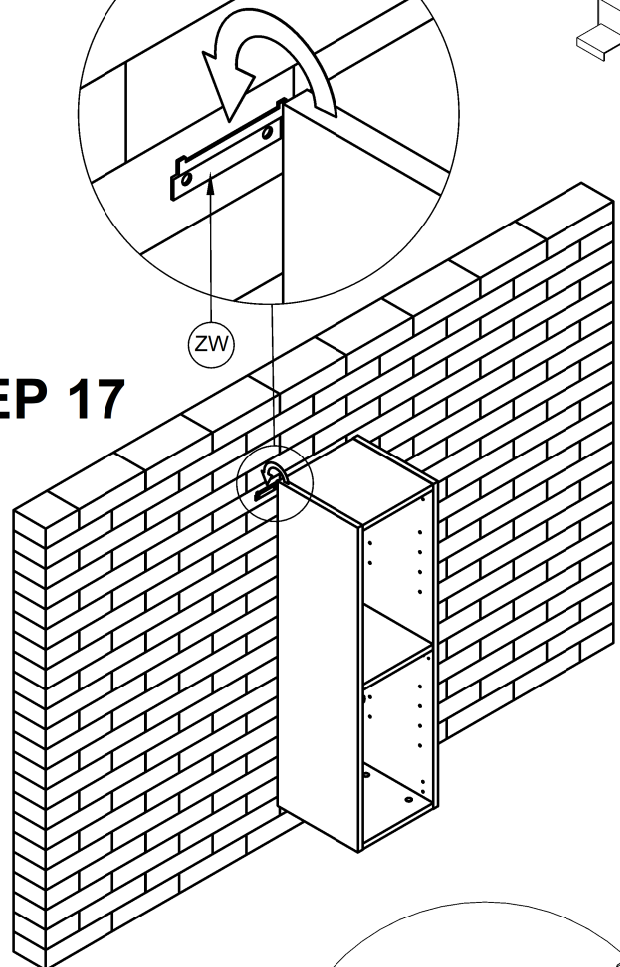




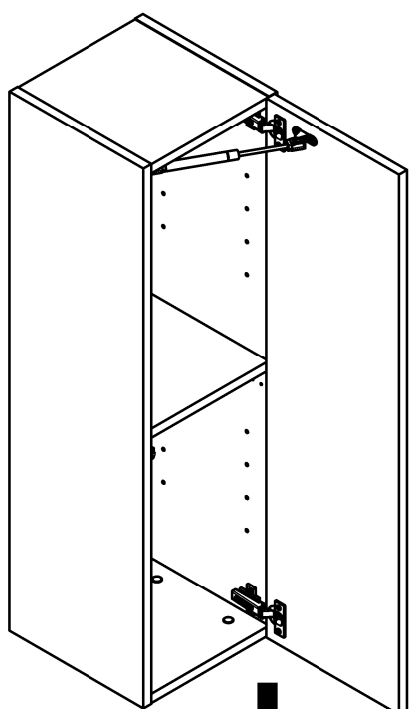
STEP 16



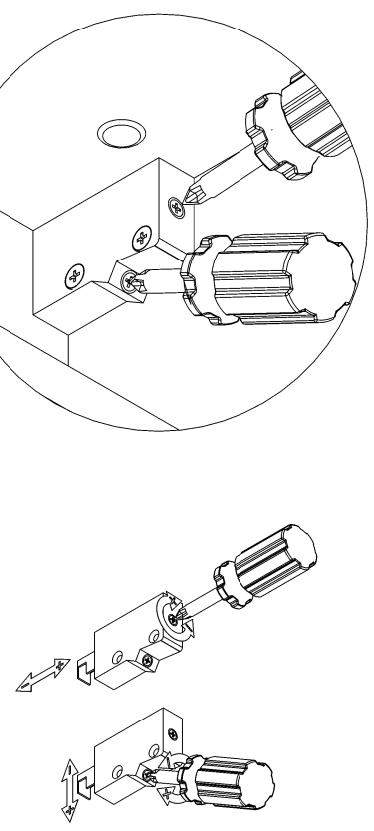
STEP 17

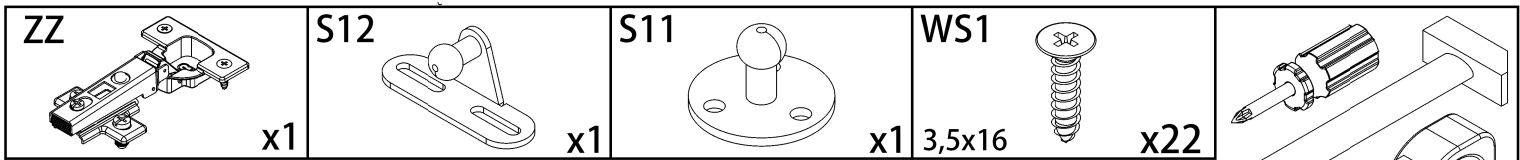


STEP 22

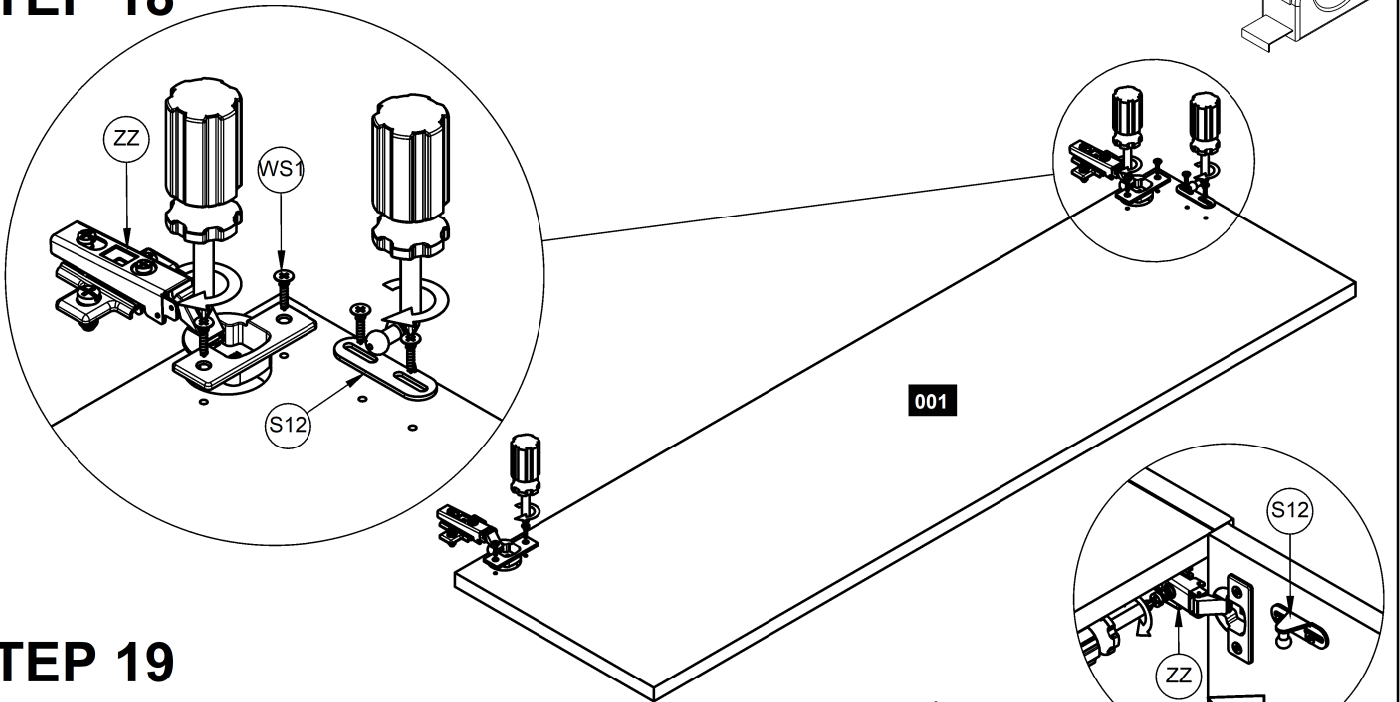


STEP 18

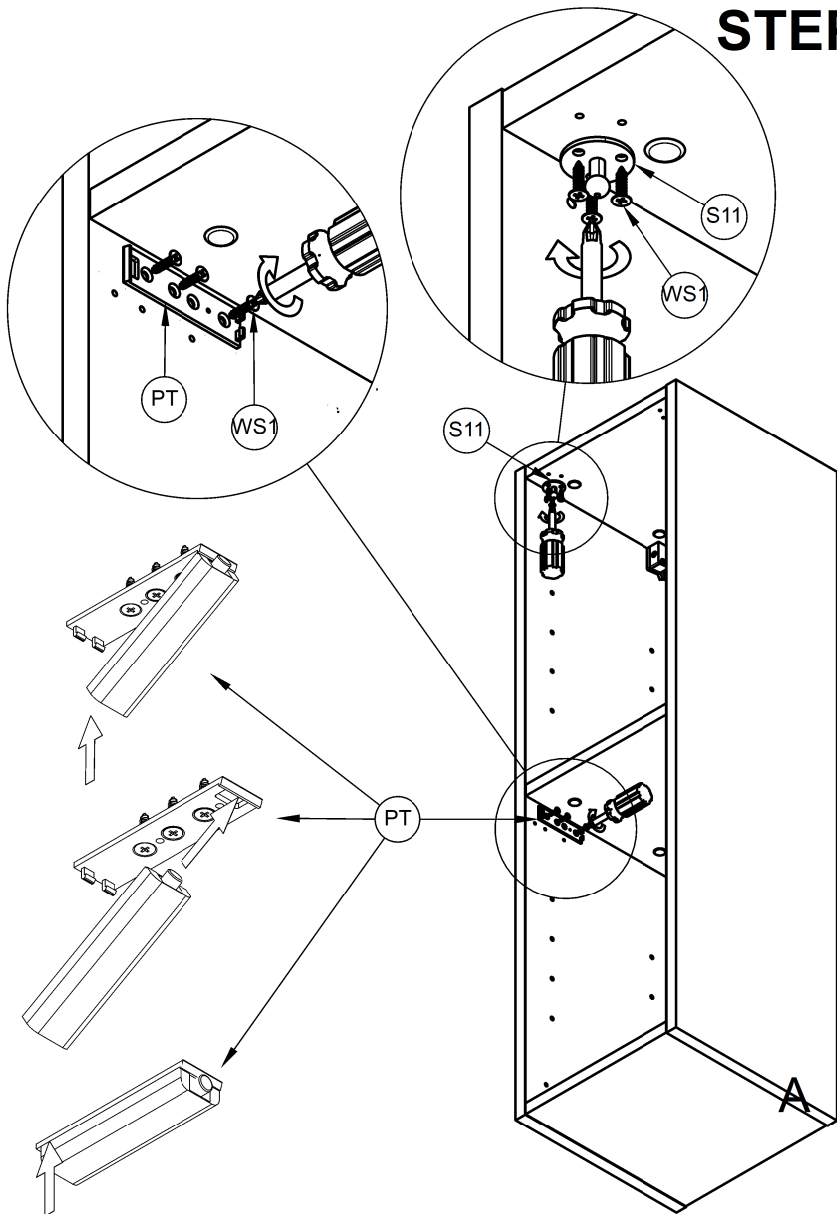




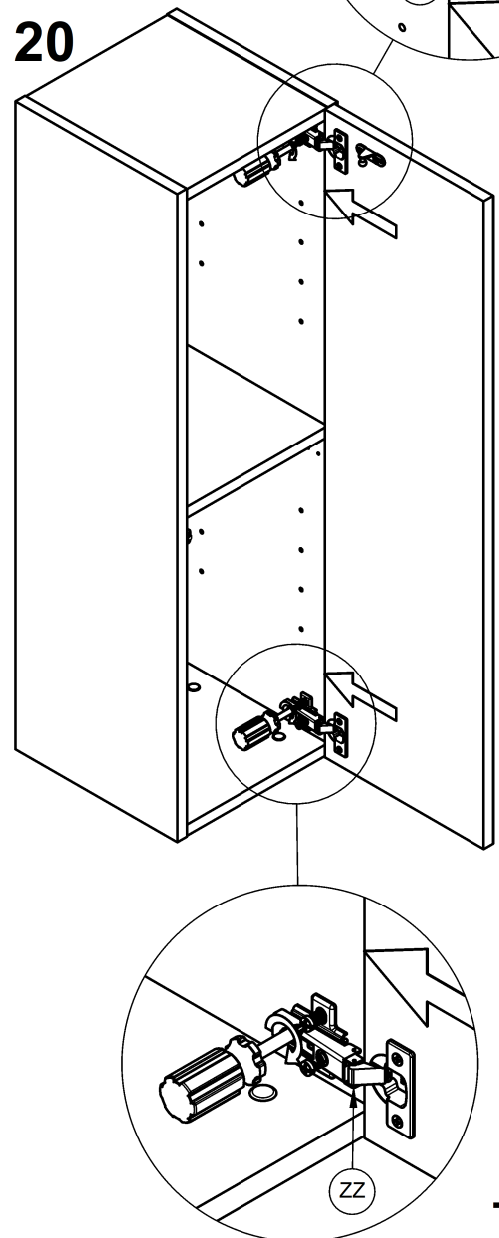
STEP 18

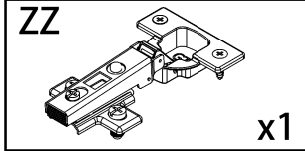
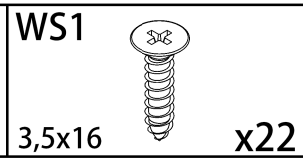
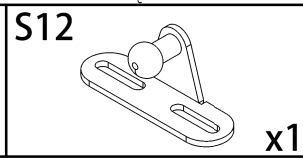
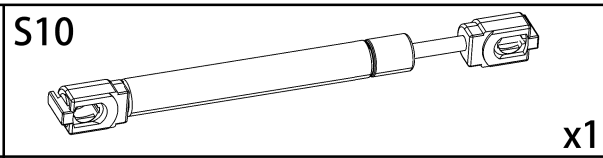
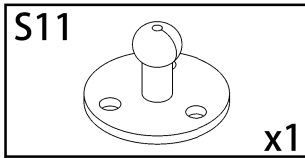


STEP 19

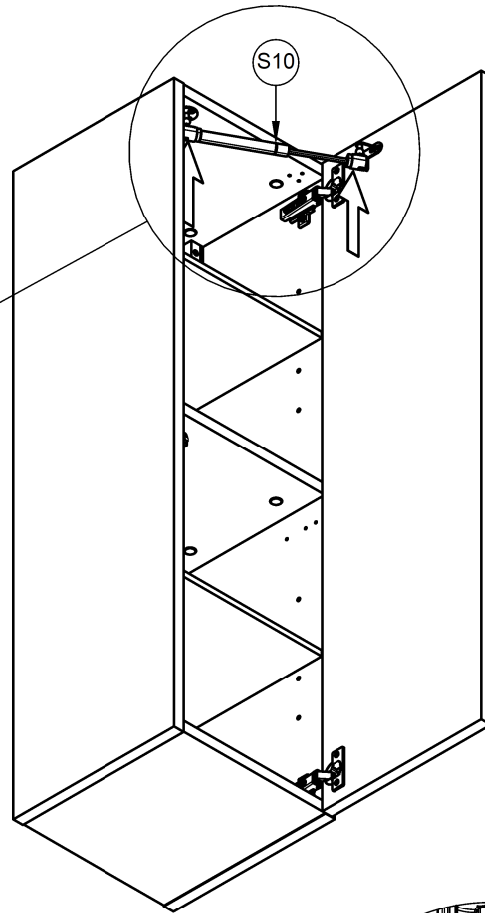
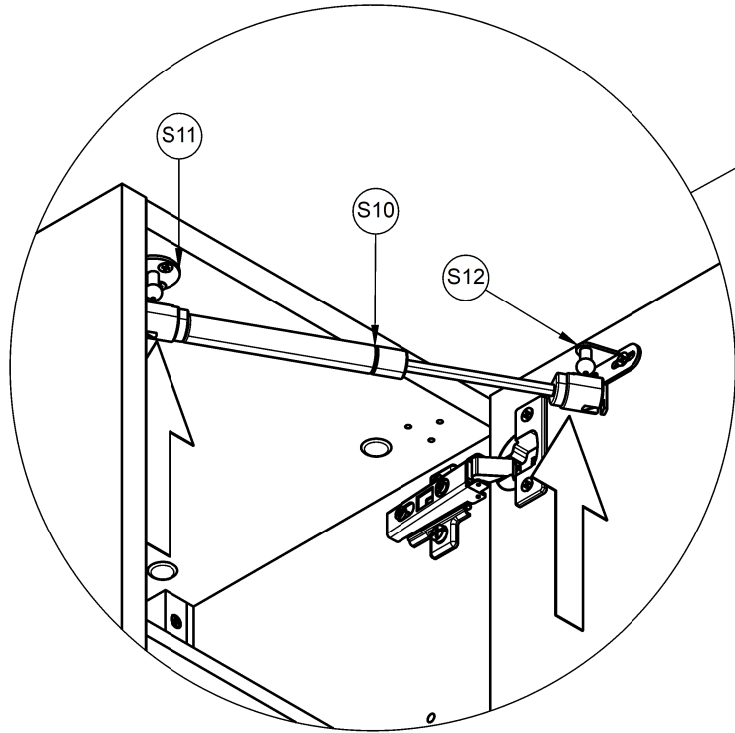


STEP 20



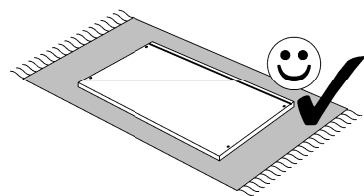
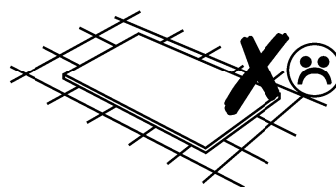
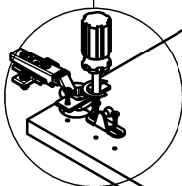
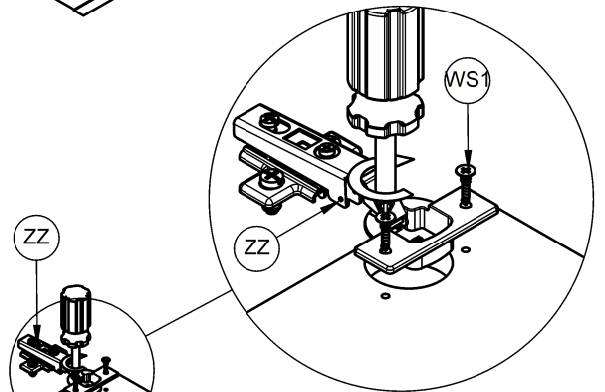
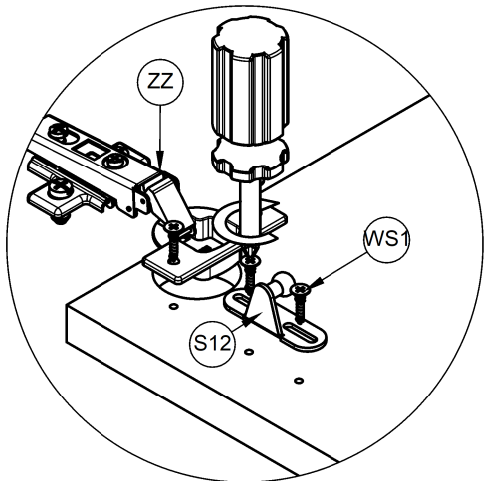


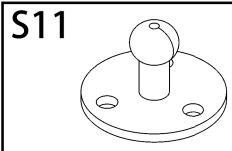
STEP 21



STEP 26

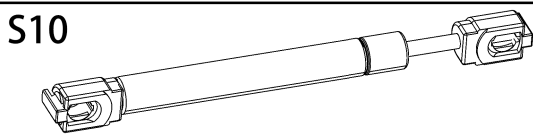
STEP 22





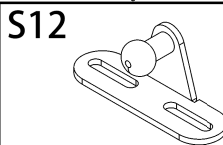
S11

x1



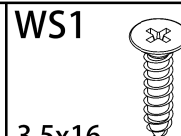
S10

x1



S12

x1

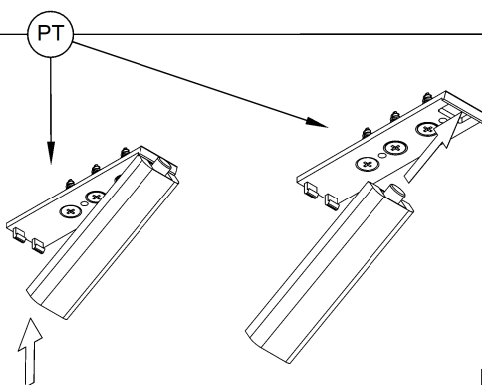
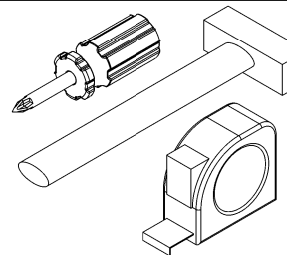
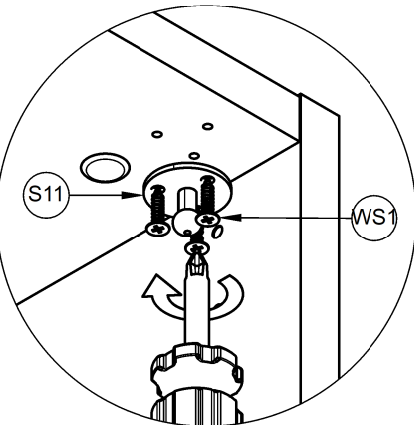
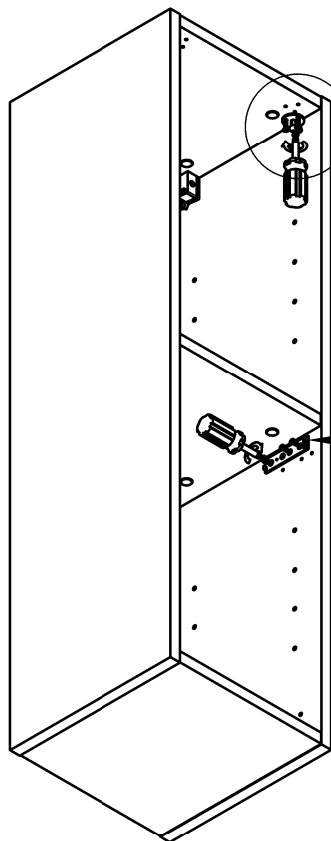


WS1

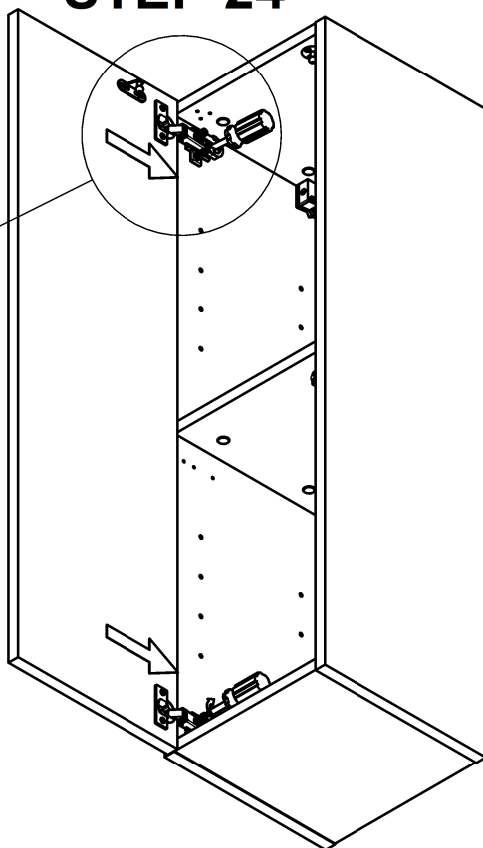
3,5x16

x22

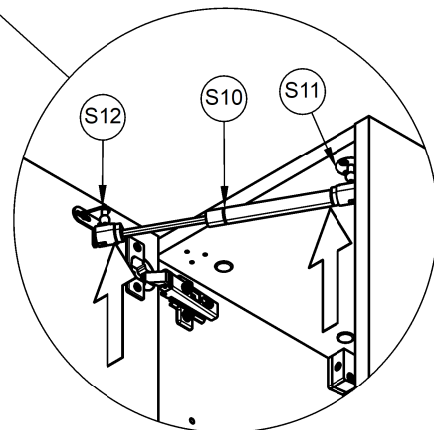
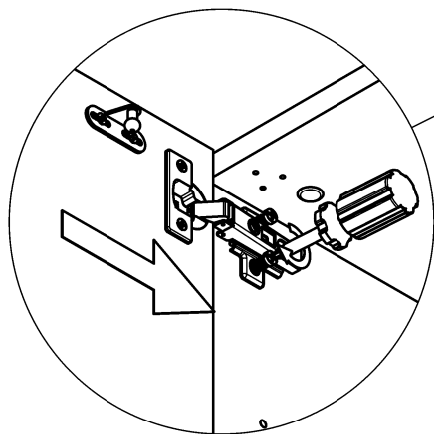
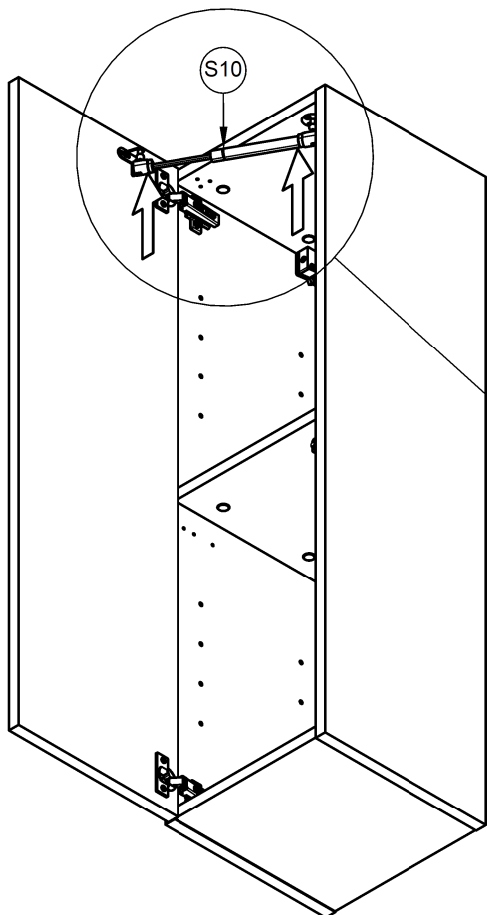
STEP 23



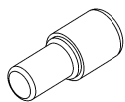
STEP 24



STEP 25

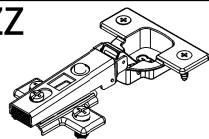


P5



x8

ZZ

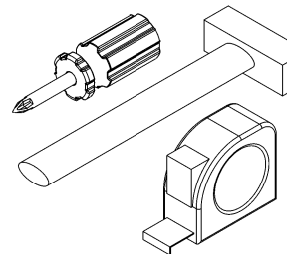


x2

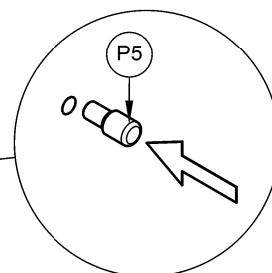
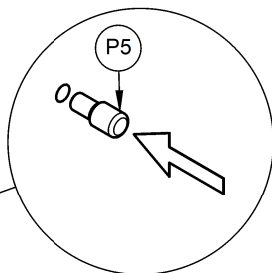
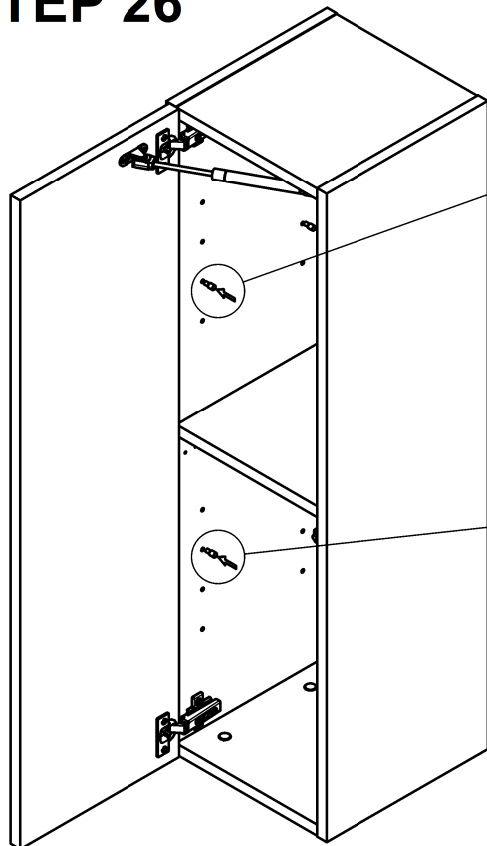
RZ



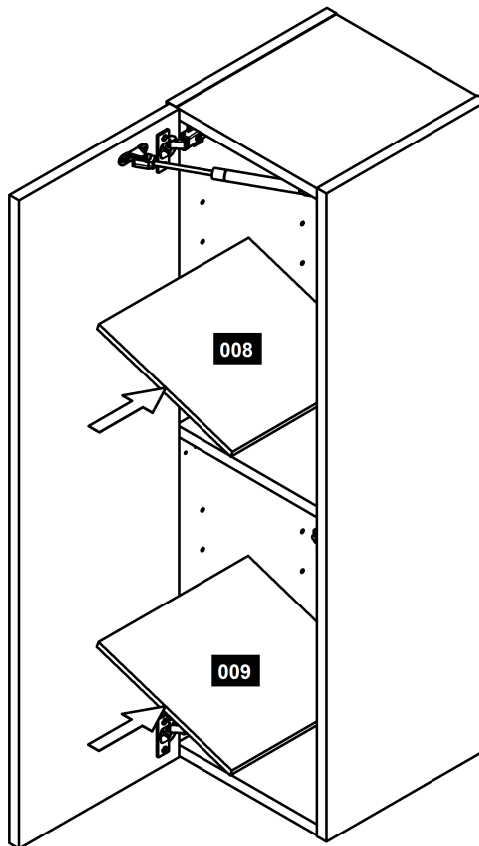
x2



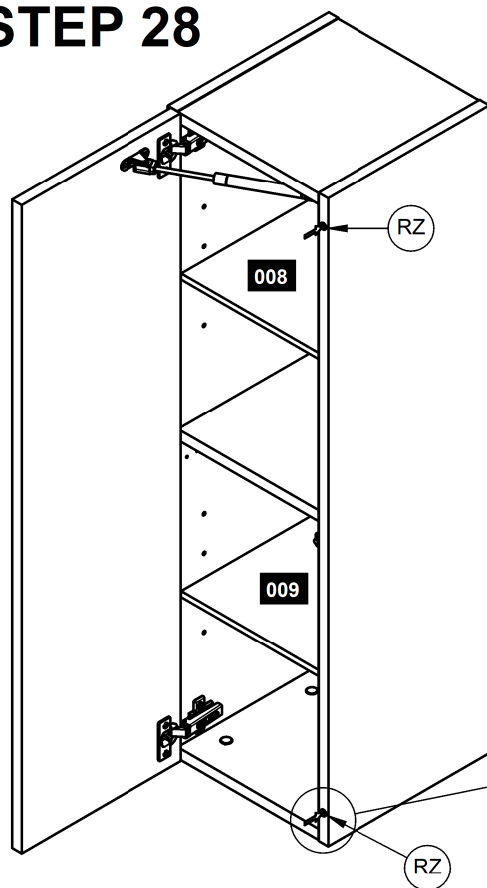
STEP 26



STEP 27



STEP 28

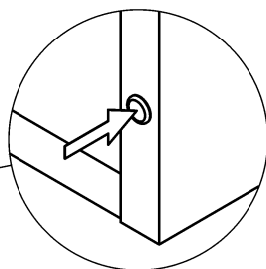
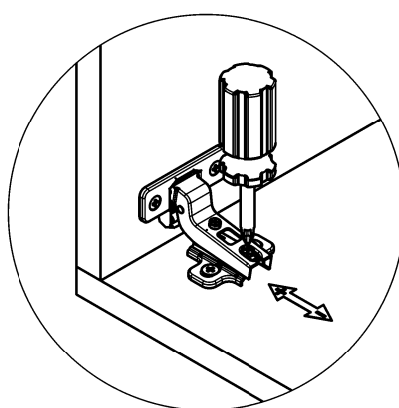


RZ

008

009

RZ



STEP 29

