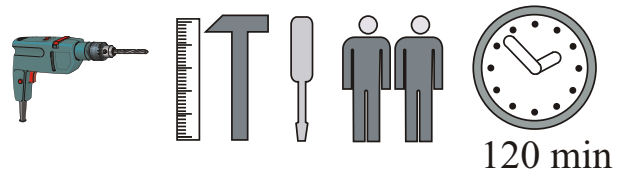
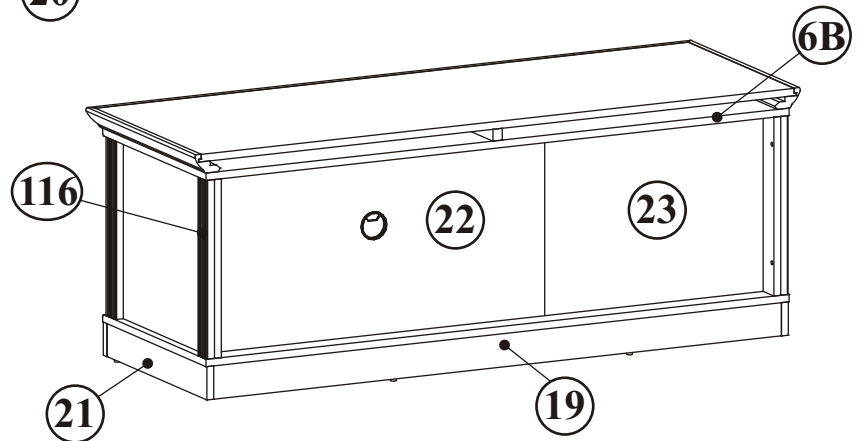
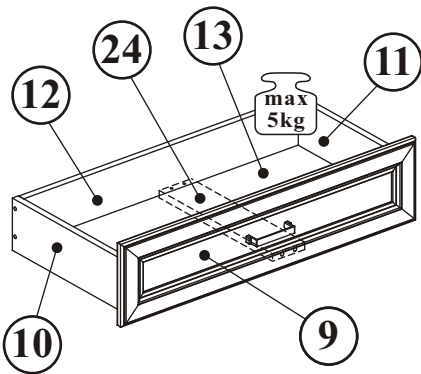
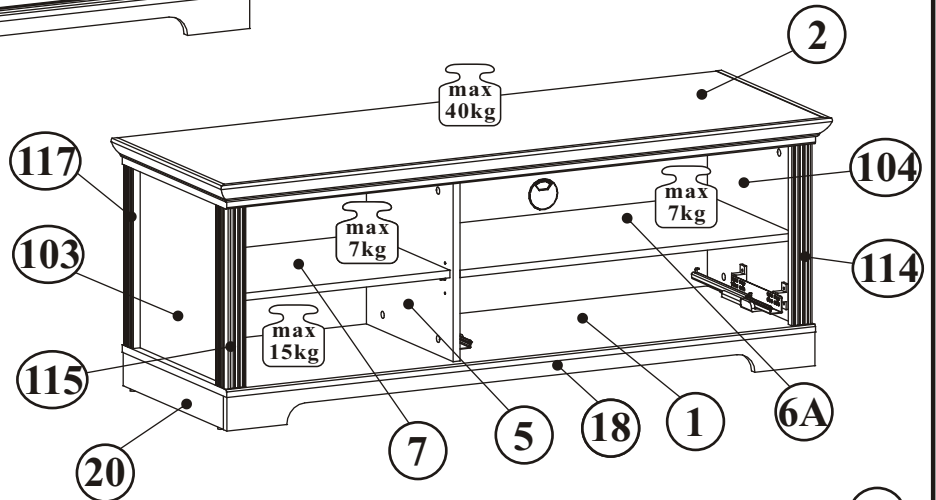
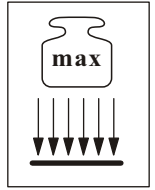
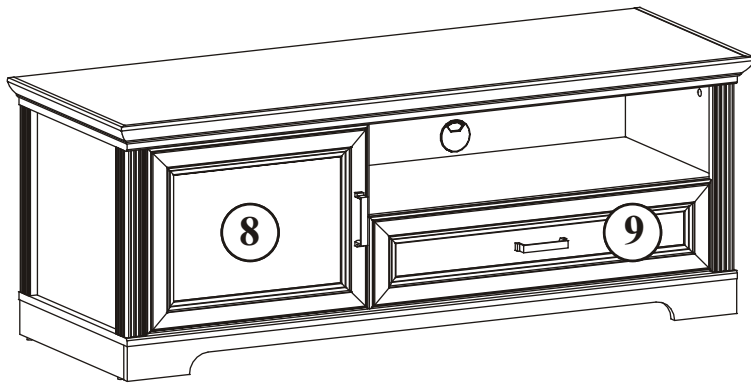


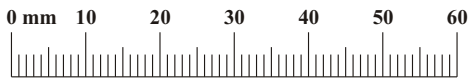
JASMIN 10G9_31




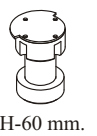
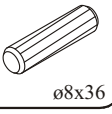
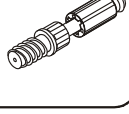


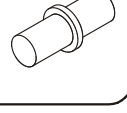
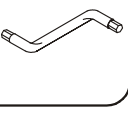
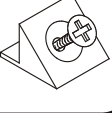
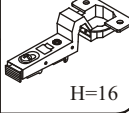
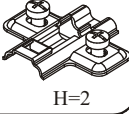

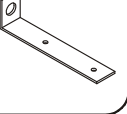
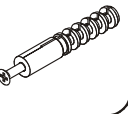



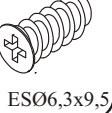
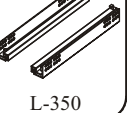




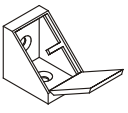
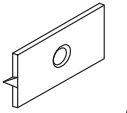

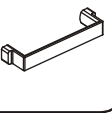




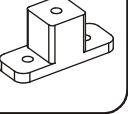


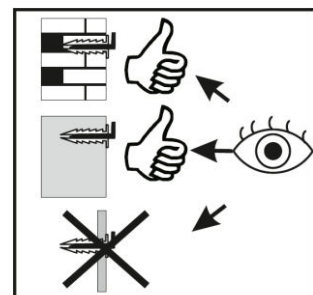
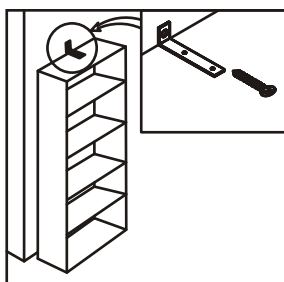
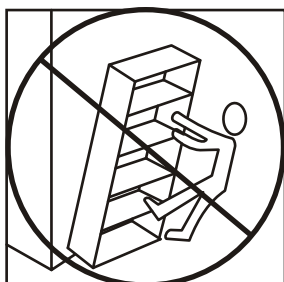
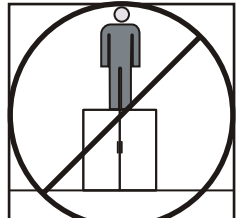
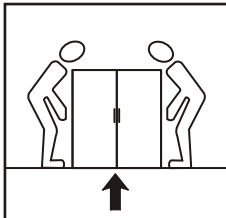
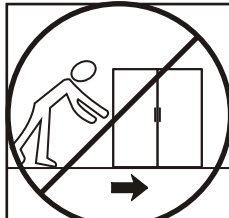
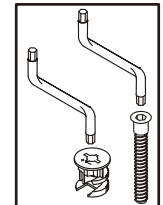
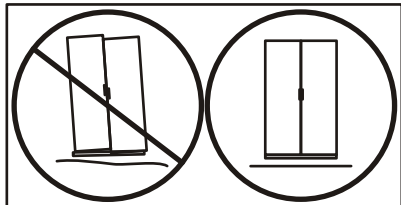
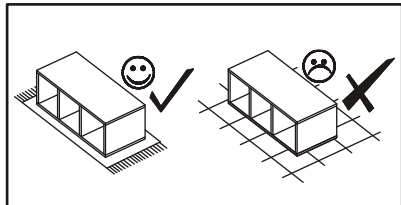
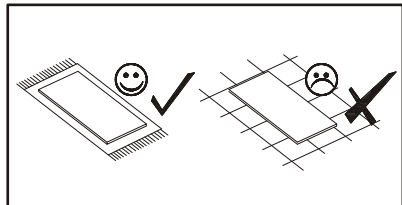
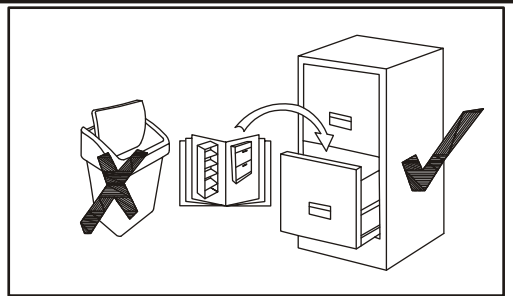
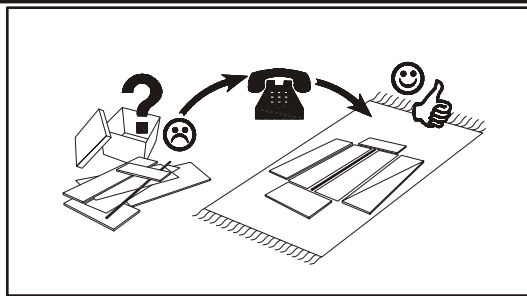
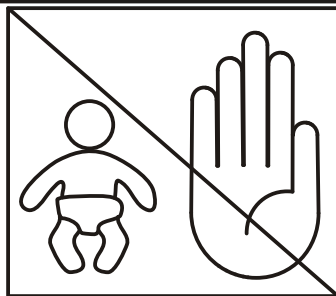
NO	Dim.			Col.-No	Qty
1	1376	482	16	1	1
2	1429	508	42	2	1
103	386	455	16	2	1
104	386	455	16	2	1
5	386	401	16	2	1
6A	781	401	16	1	1
6B	1376	482	16	2	1
7	507	386	16	1	1
8	380	496	22	1	1
9	770	188	22	1	1
10	350	120	16	1	1
11	350	120	16	1	1

NO	Dim.			Col.-No	Qty
12	716	106	16	1	1
13	354	728	3	1	1
114	386	49	49	1	1
115	386	49	49	1	1
116	386	43	19	1	1
117	386	43	19	1	1
18	1374	72	16	1	1
19	1340	72	16	1	1
20	465	72	16	1	1
21	465	72	16	1	1
22	795	398	3	1	1
23	521	398	3	1	1
24	349	80	16	1	1

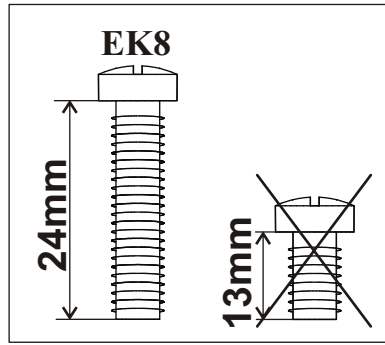
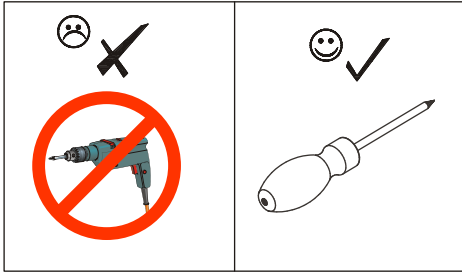
JASMIN 10G9_31


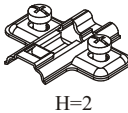


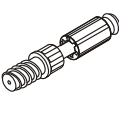
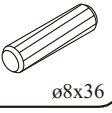
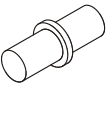

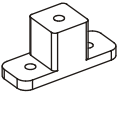


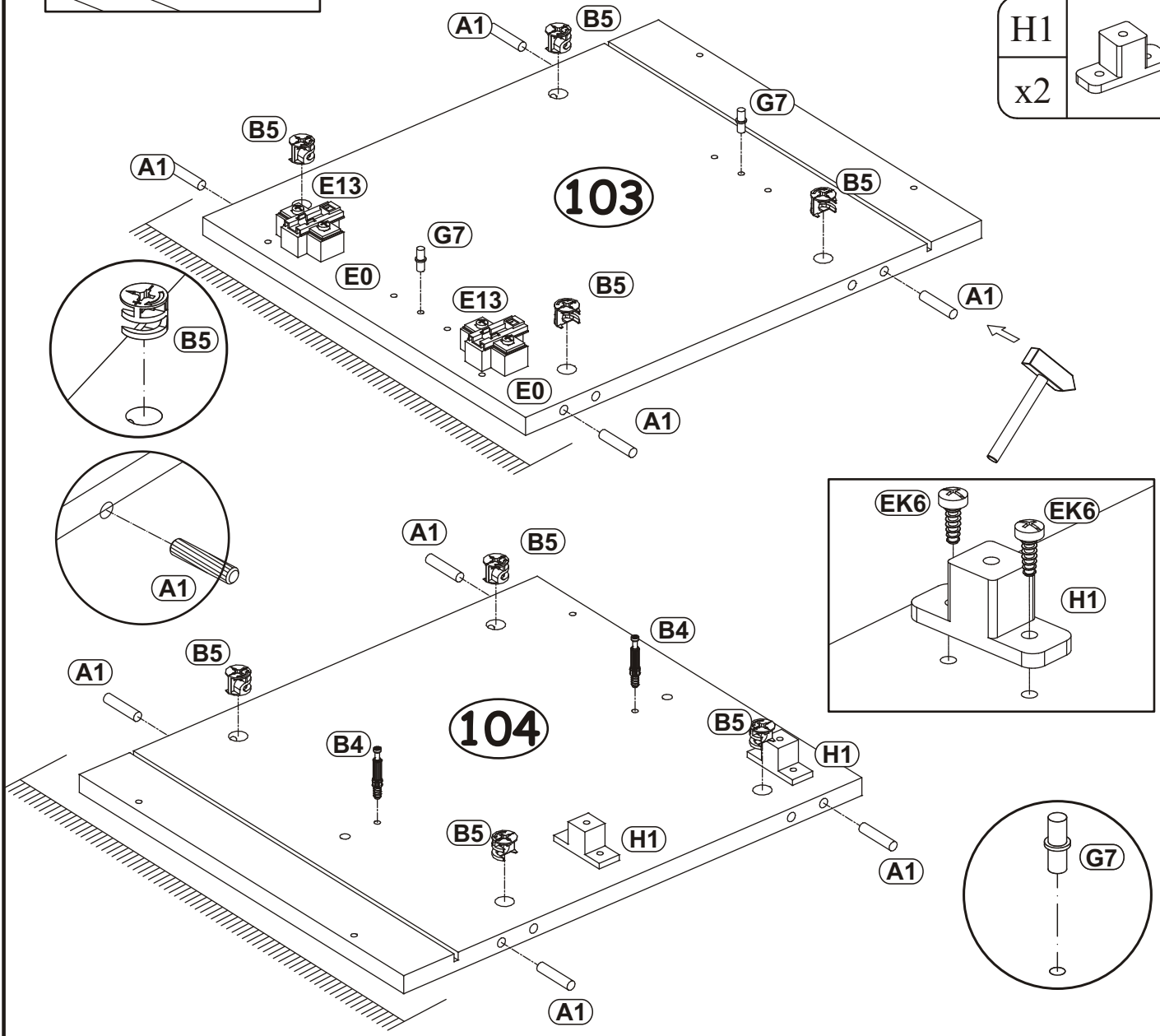
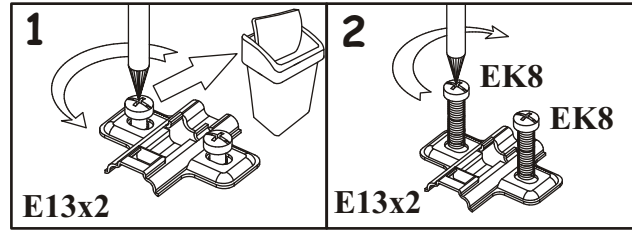
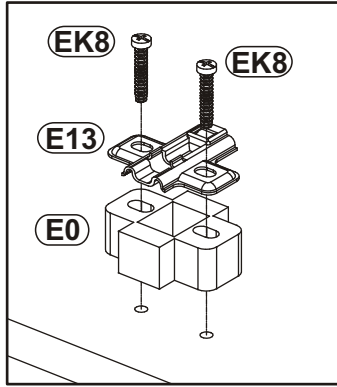
D24 x8  USØ4x30	G12 x16  Ø14	UP9 x4  UPØ3,5x16	I9 x1  H=60 mm.
A1 x36  ø8x36	B4 x32 	B5 x32  ø15x12	G5 x32 
G7 x4 	G2 x1 	S1 x14 	E17 x2  H=16
E13 x2  H=2	UP6 x2  UPØ4x30	L1 x2 	KR1 x2 
EK8 x4  EKØ6,3x24	D10 x14  USØ3,5x13	UP13 x9  UPØ3x16	D20 x4  ESØ6,3x9,5
QU x1  L-350	I2 x6 	B11 x4  Ø7x50	B14 x8  Ø7x30
G4 x4 	KM1 x3 	G16 x3 	E0 x2  H=11
C19 x2 	D16 x2  M4x16	D4 x2  M4x30	G18 x1  Ø60
EK6 x4  EKØ6,3x13	H1 x2 		



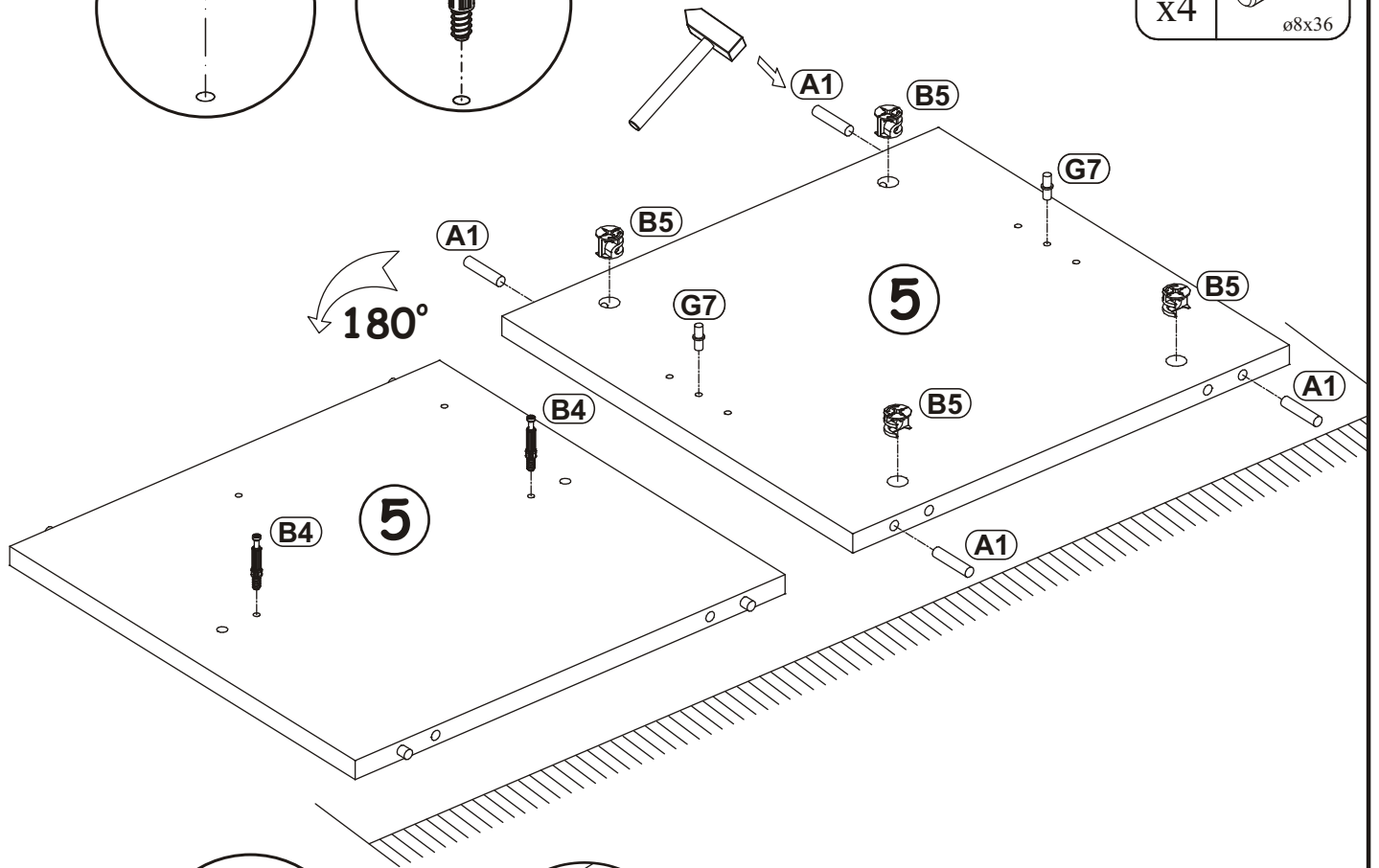
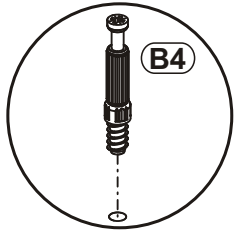
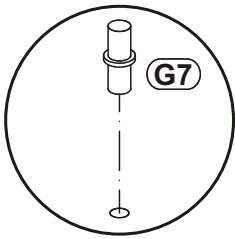
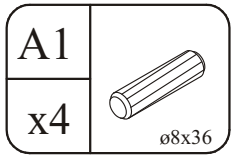
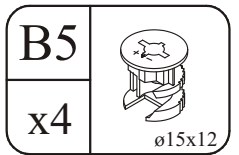
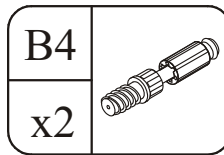
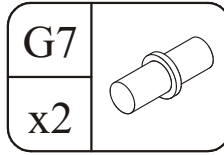
1



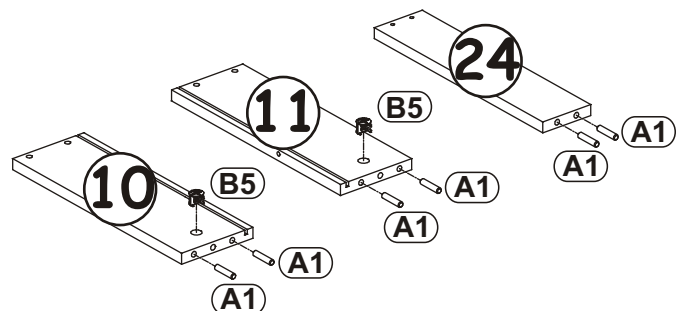
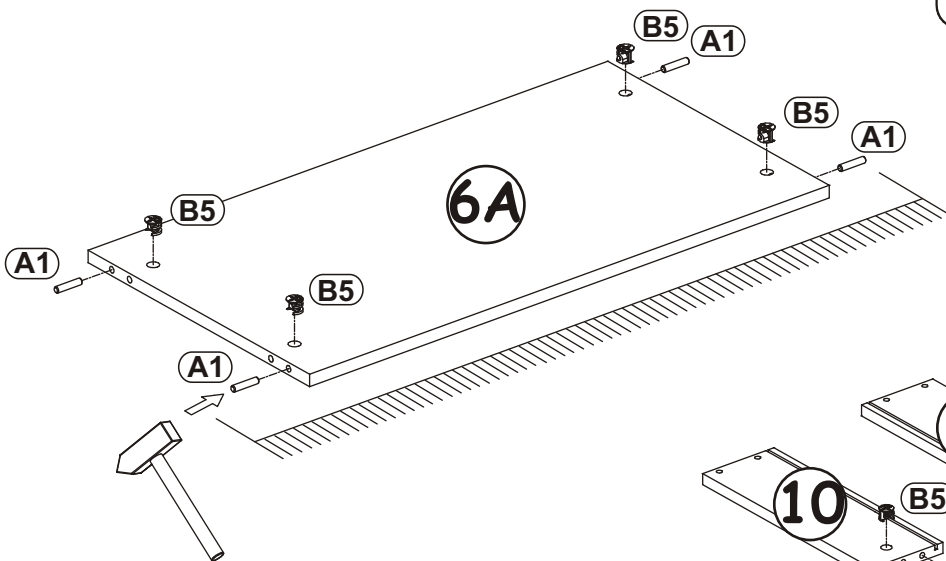
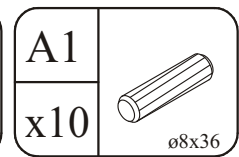
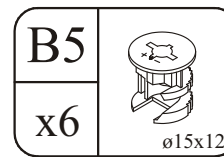
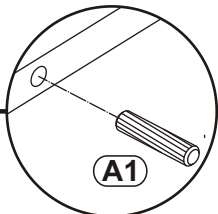
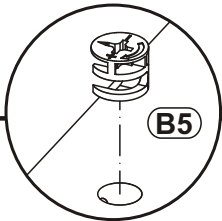
E0 x2	 H=11	E13 x2	 H=2
B5 x8	 ø15x12	EK8 x4	 EKØ6,3x24
B4 x2		A1 x8	 ø8x36
G7 x2		EK6 x4	 EKØ6,3x13
H1 x2			



2

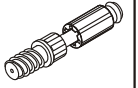


3

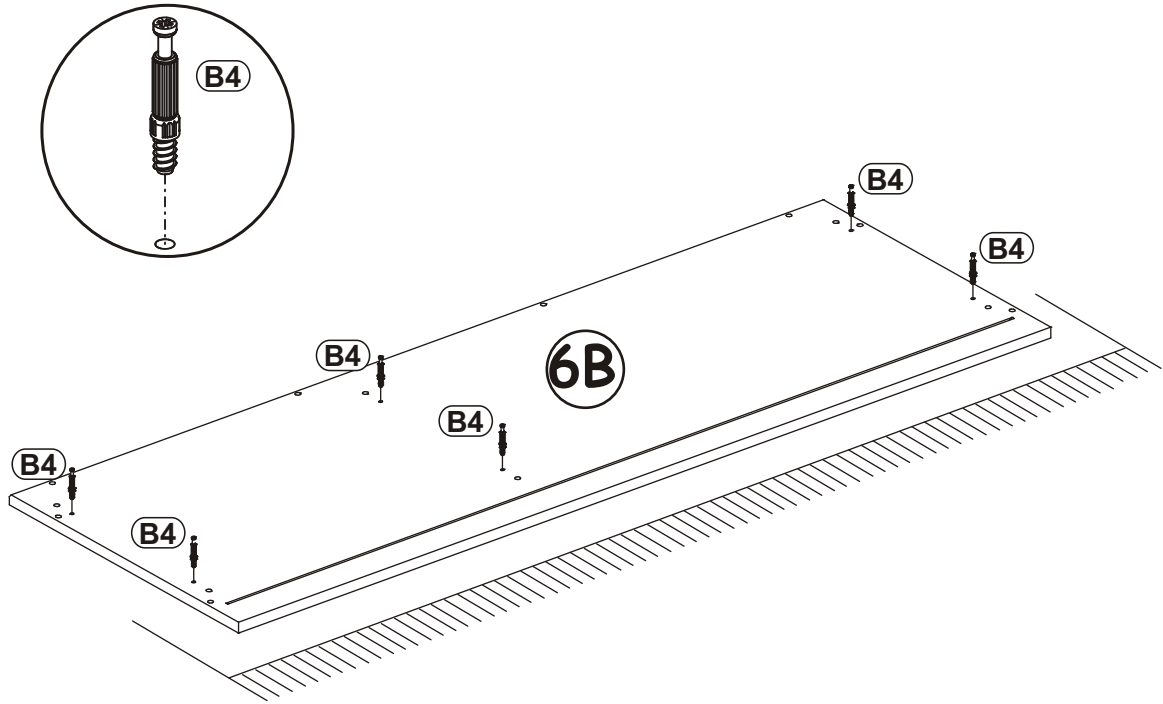


B4

x6



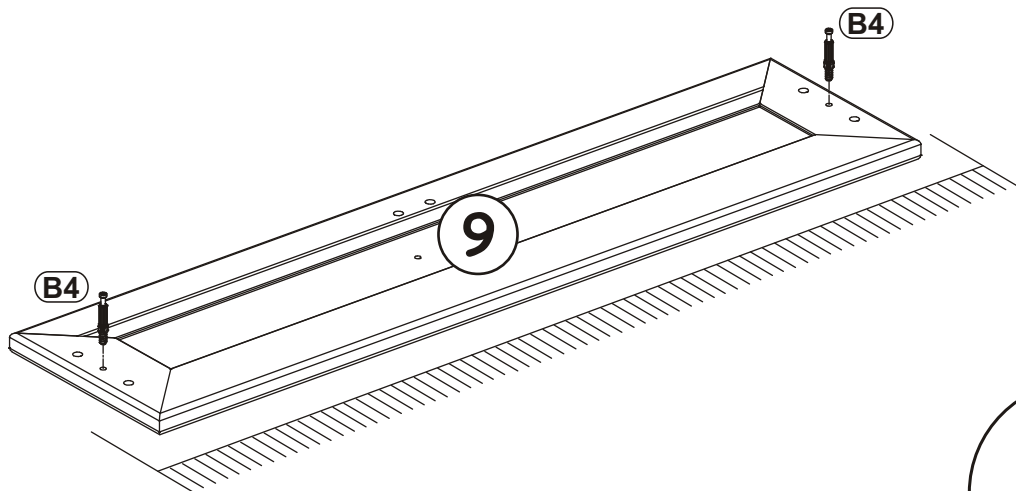
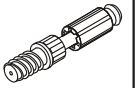
4



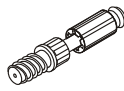

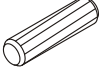
5

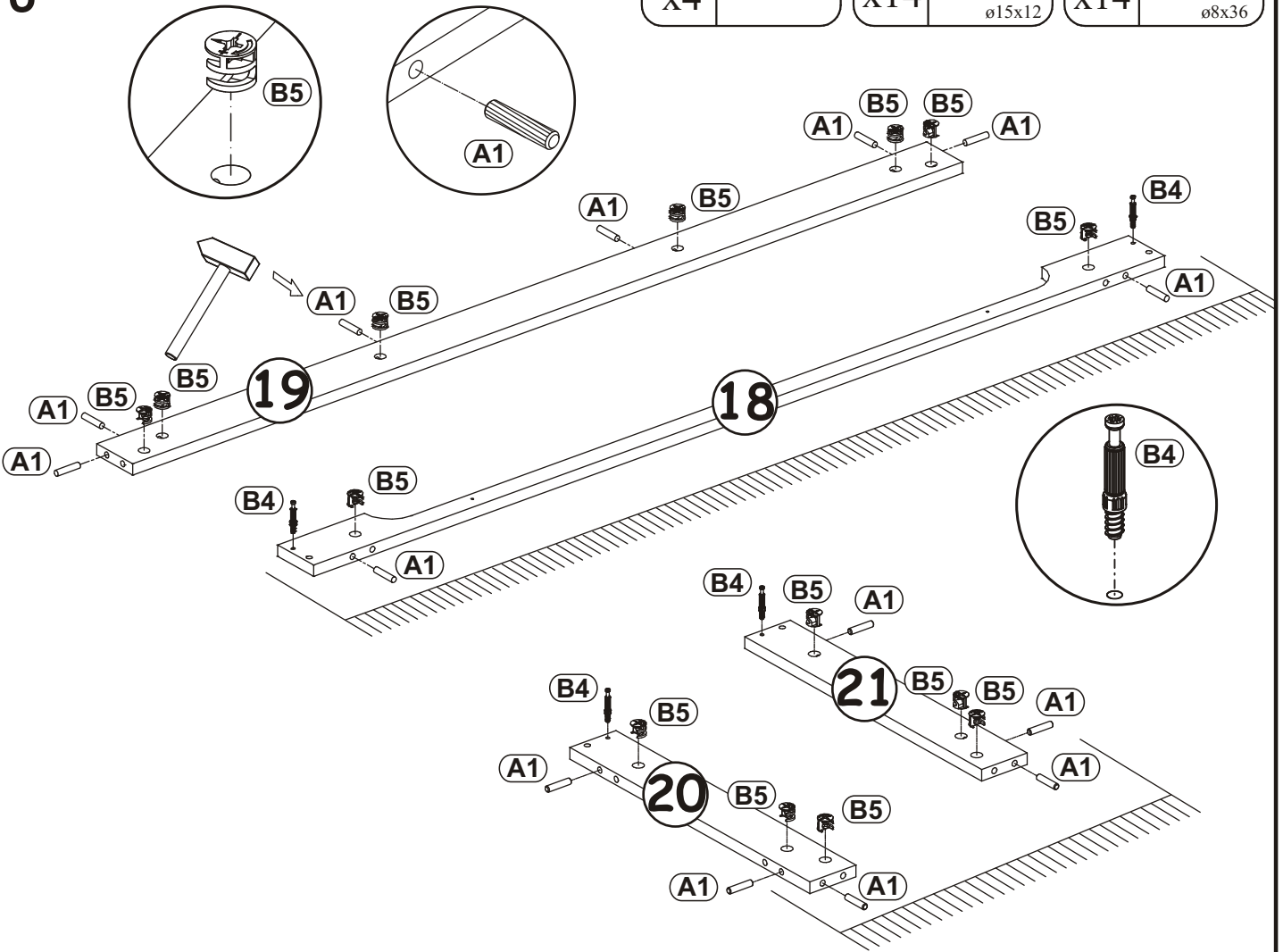
B4

x2

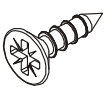
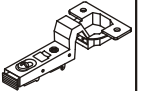


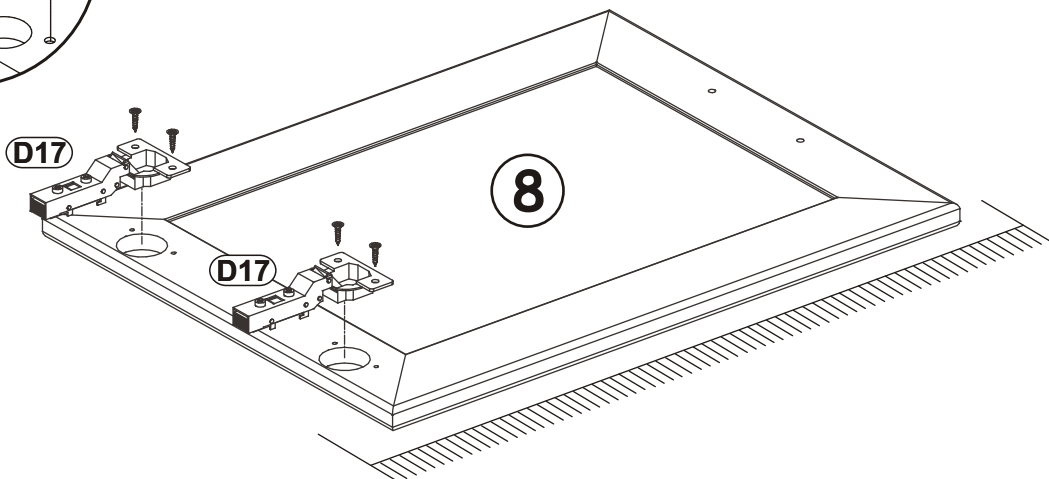
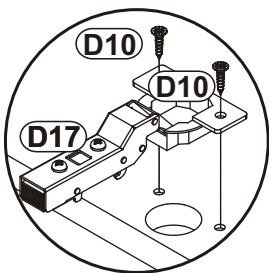
6

B4		B5		A1	
x4		x14	ø15x12	x14	ø8x36

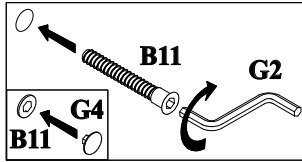


7

D10		E17	
x4	USØ3,5x13	x2	H=16



8



G5	
x2	

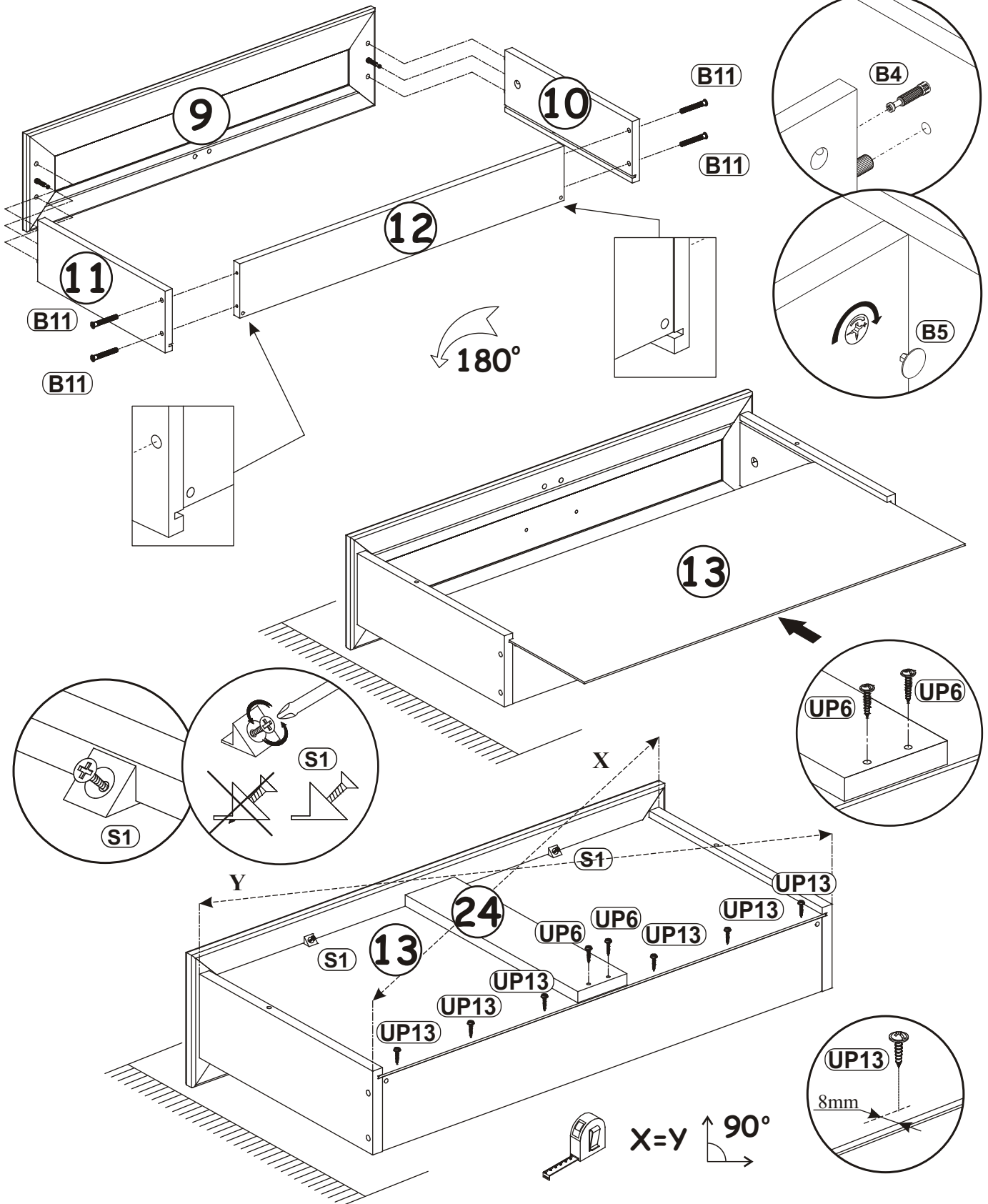
B11	
x4	Ø7x50

G4	
x4	

UP13	
x6	UPØ3x16

S1	
x2	

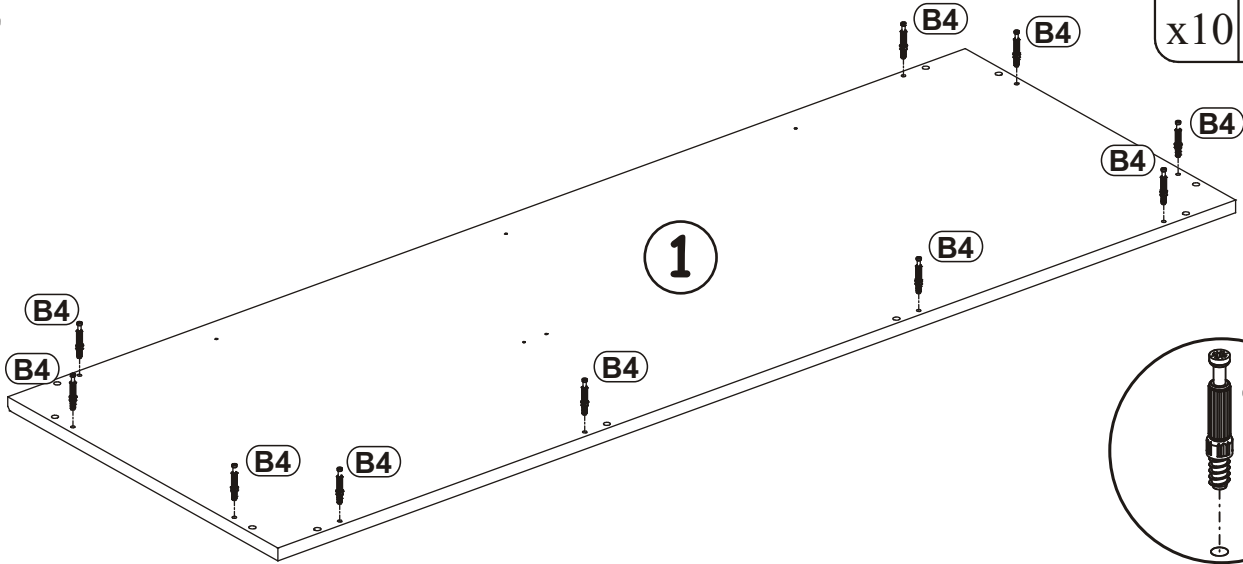
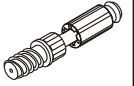
UP6	
x2	UPØ4x30



9

B4

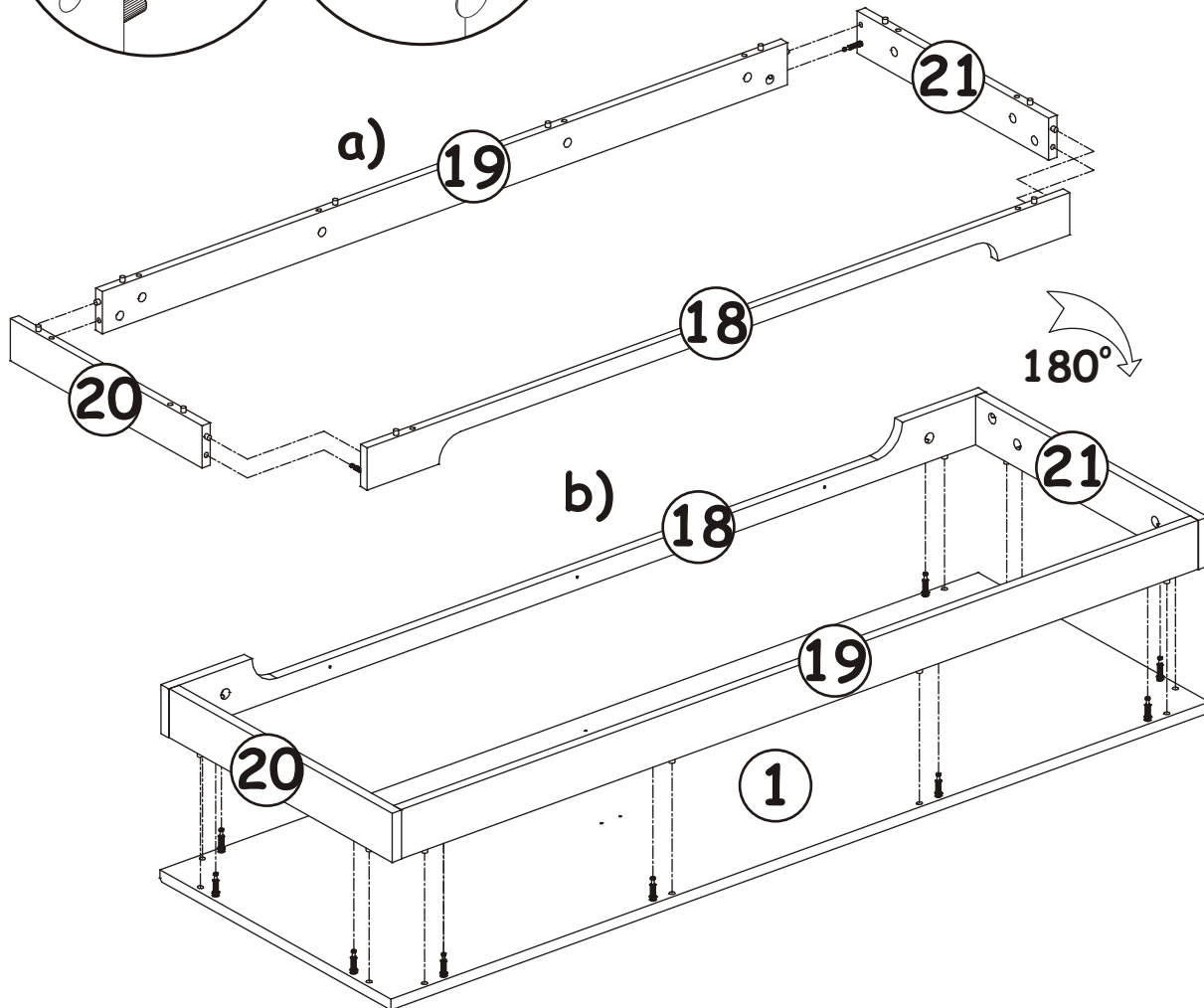
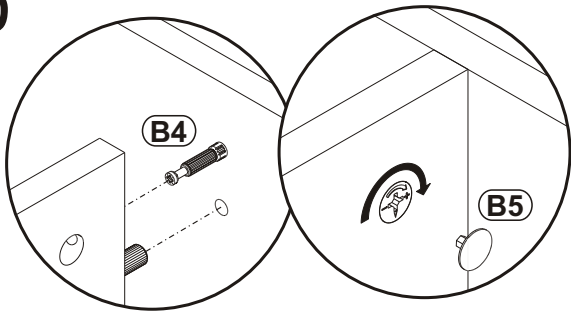
x10



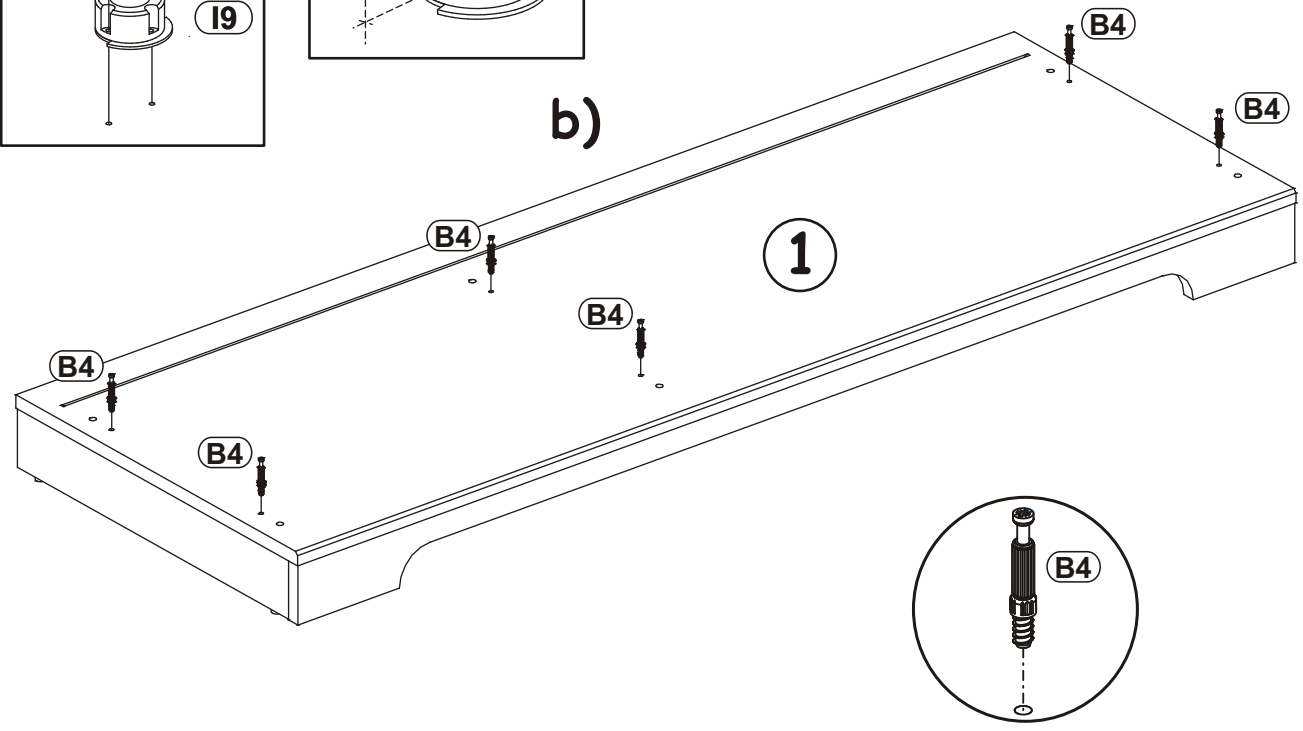
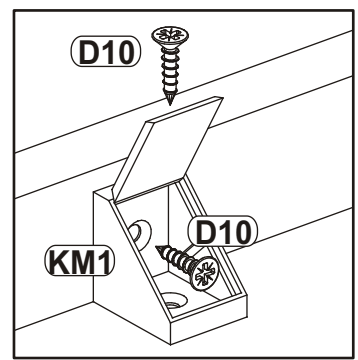
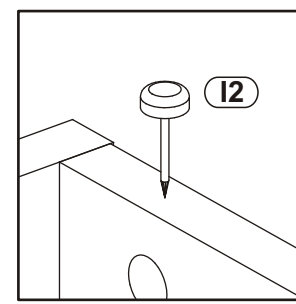
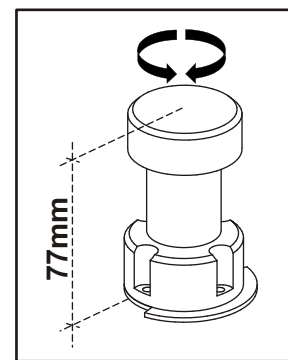
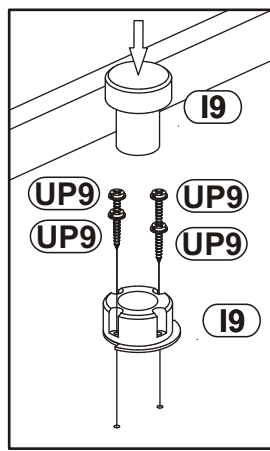
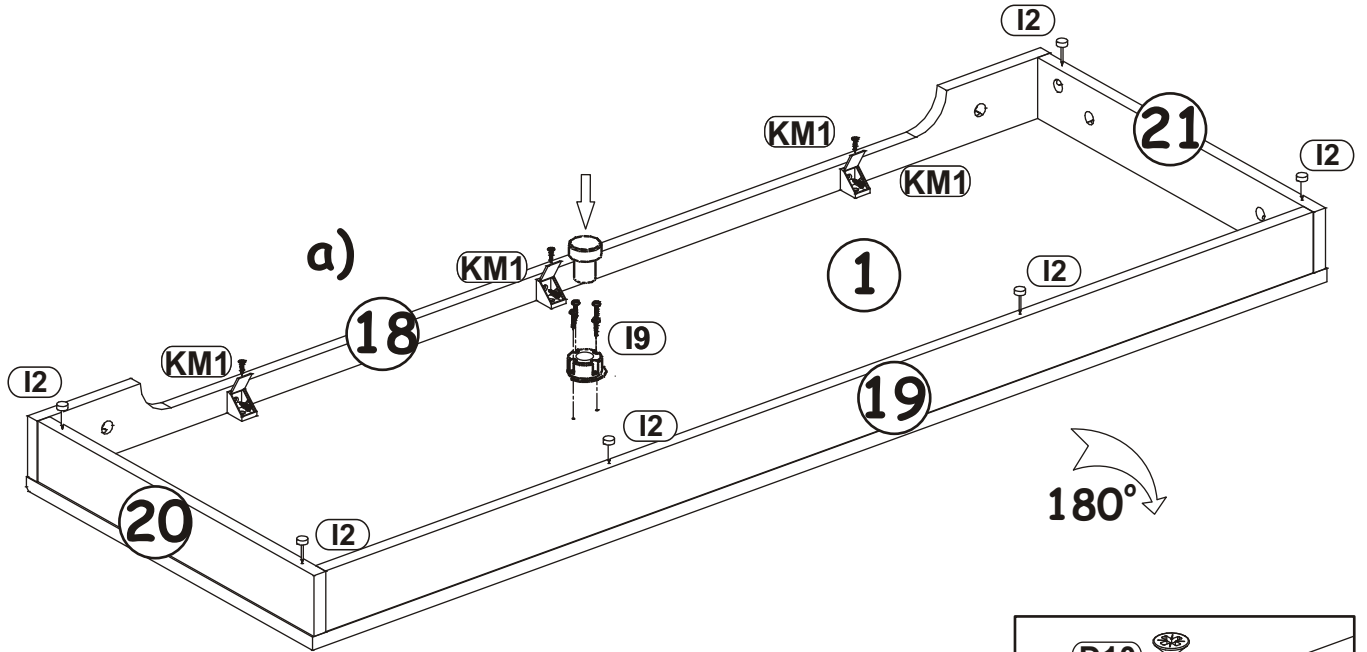
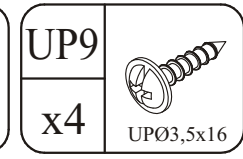
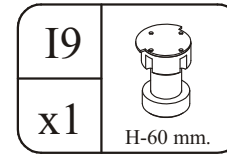
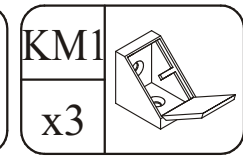
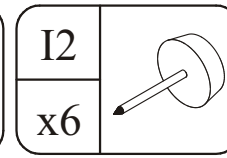
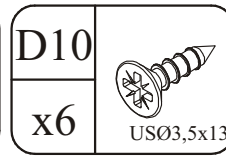
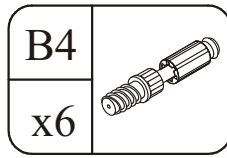
10

G5



x14

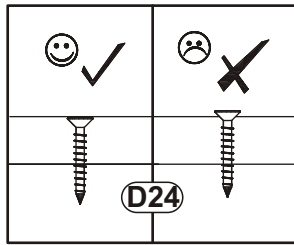
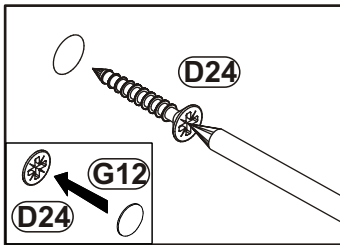
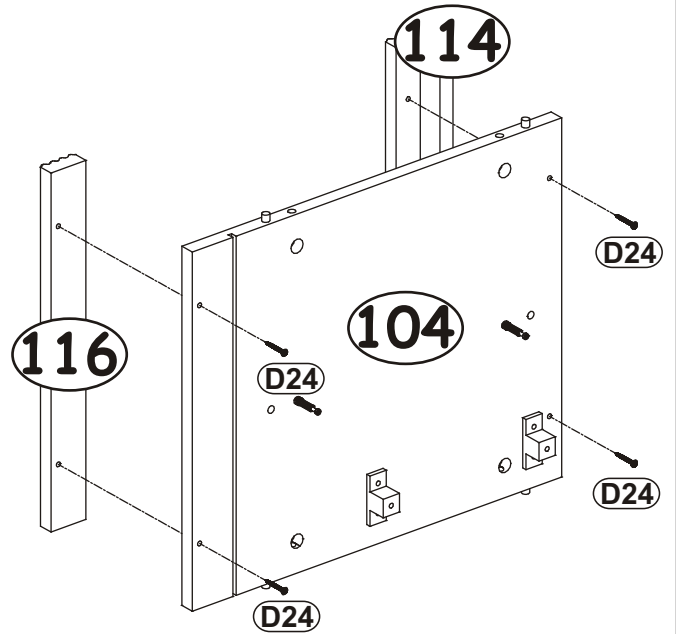
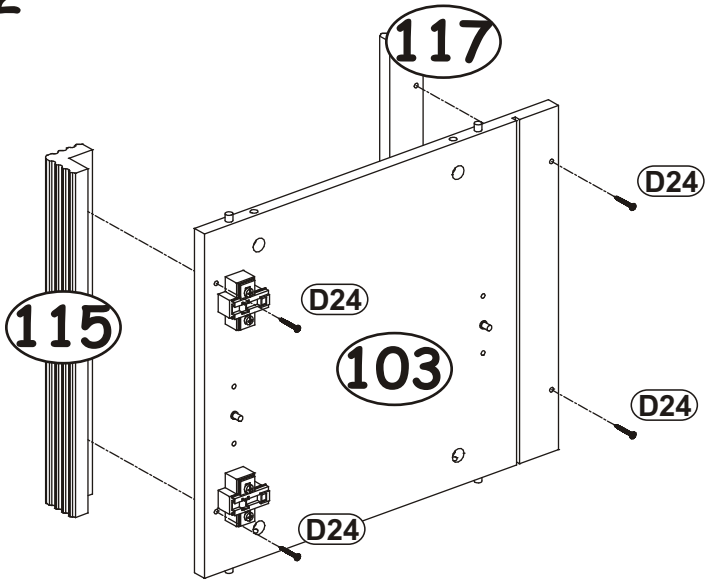


11




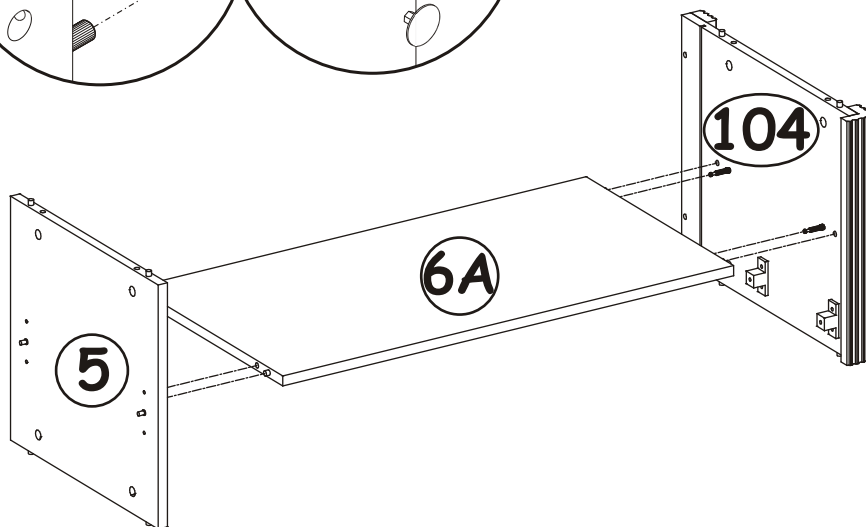
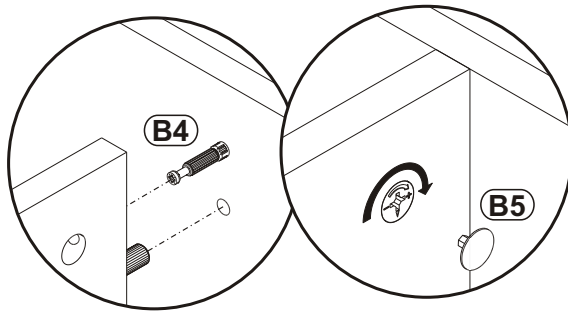
12

D24		G12	
x8	USØ4x30	x8	Ø14

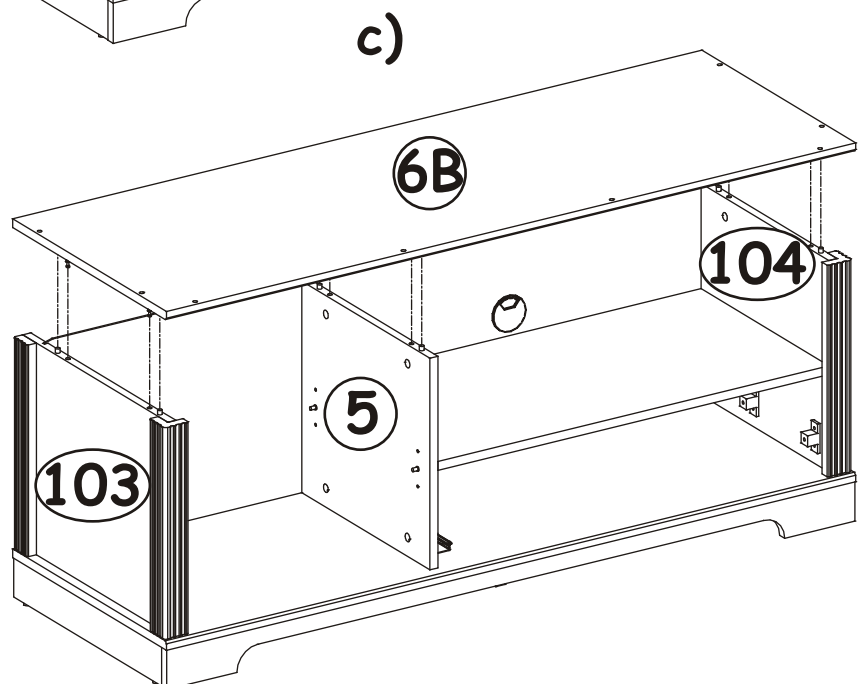
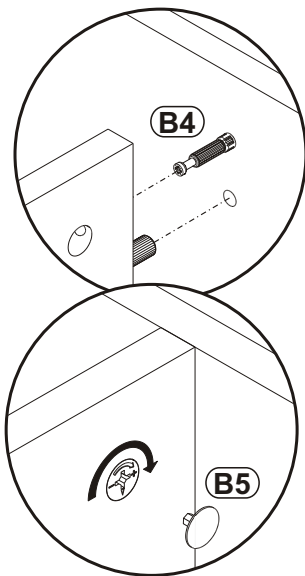
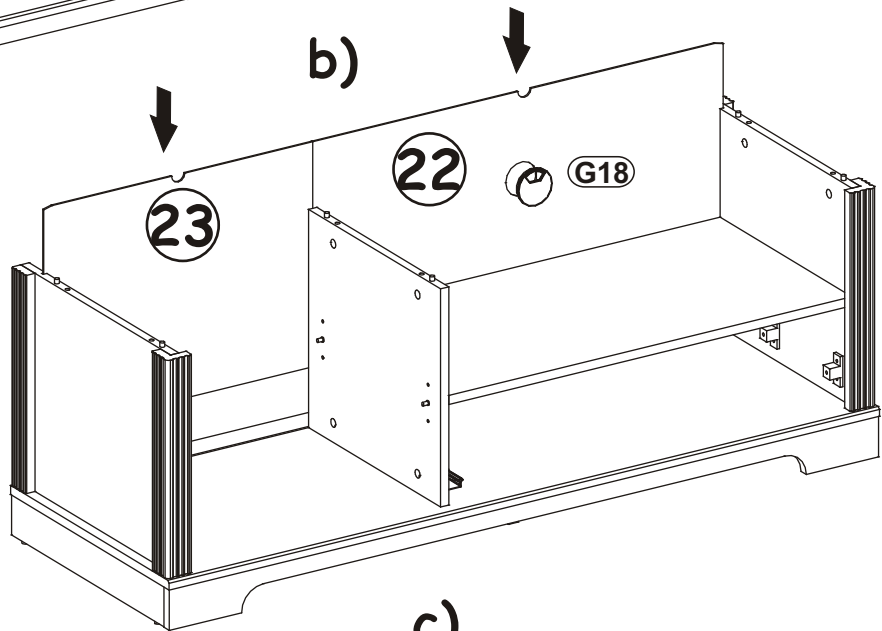
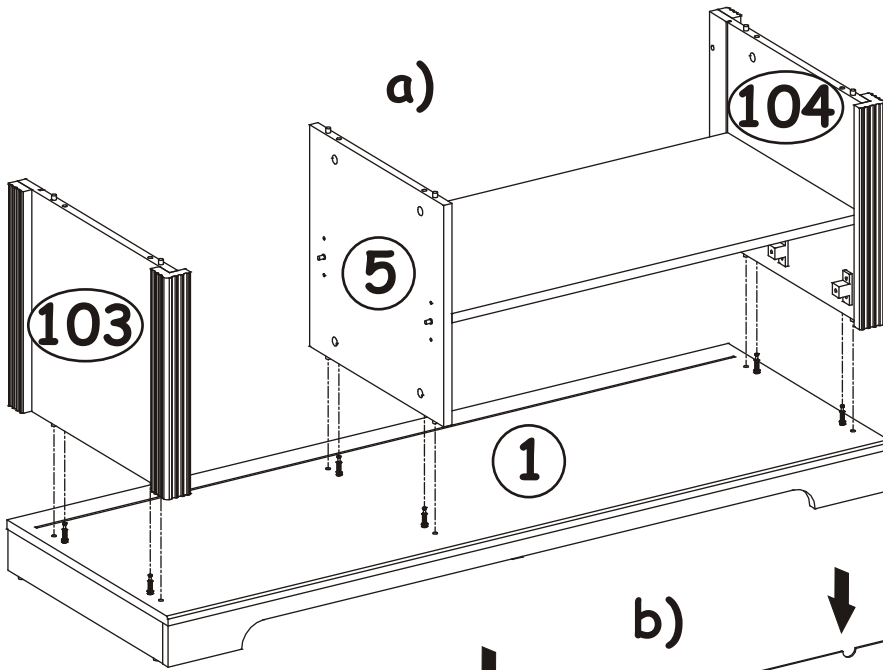
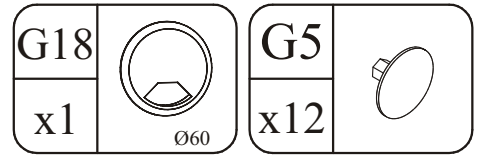


13

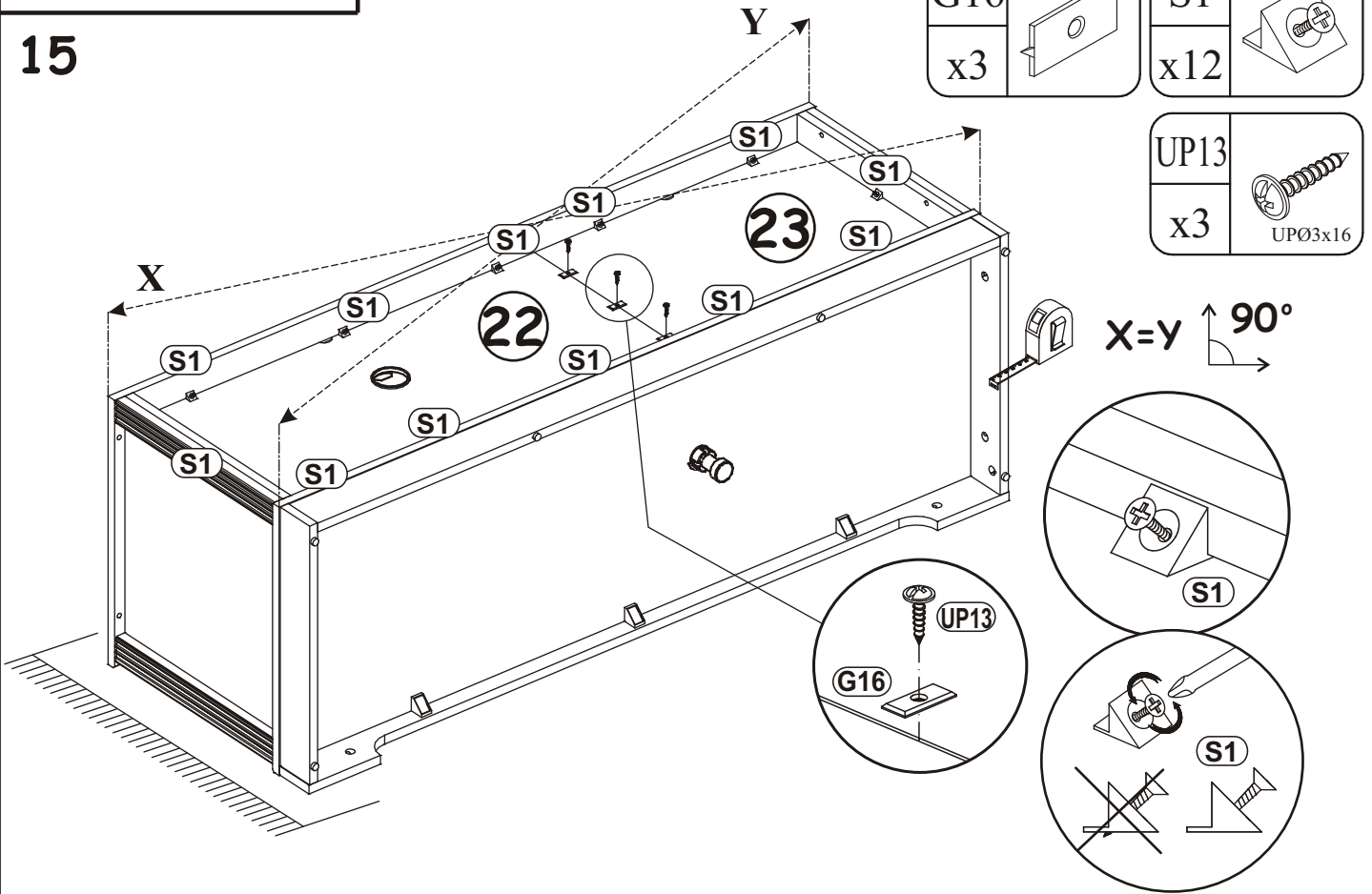
G5	
x4	



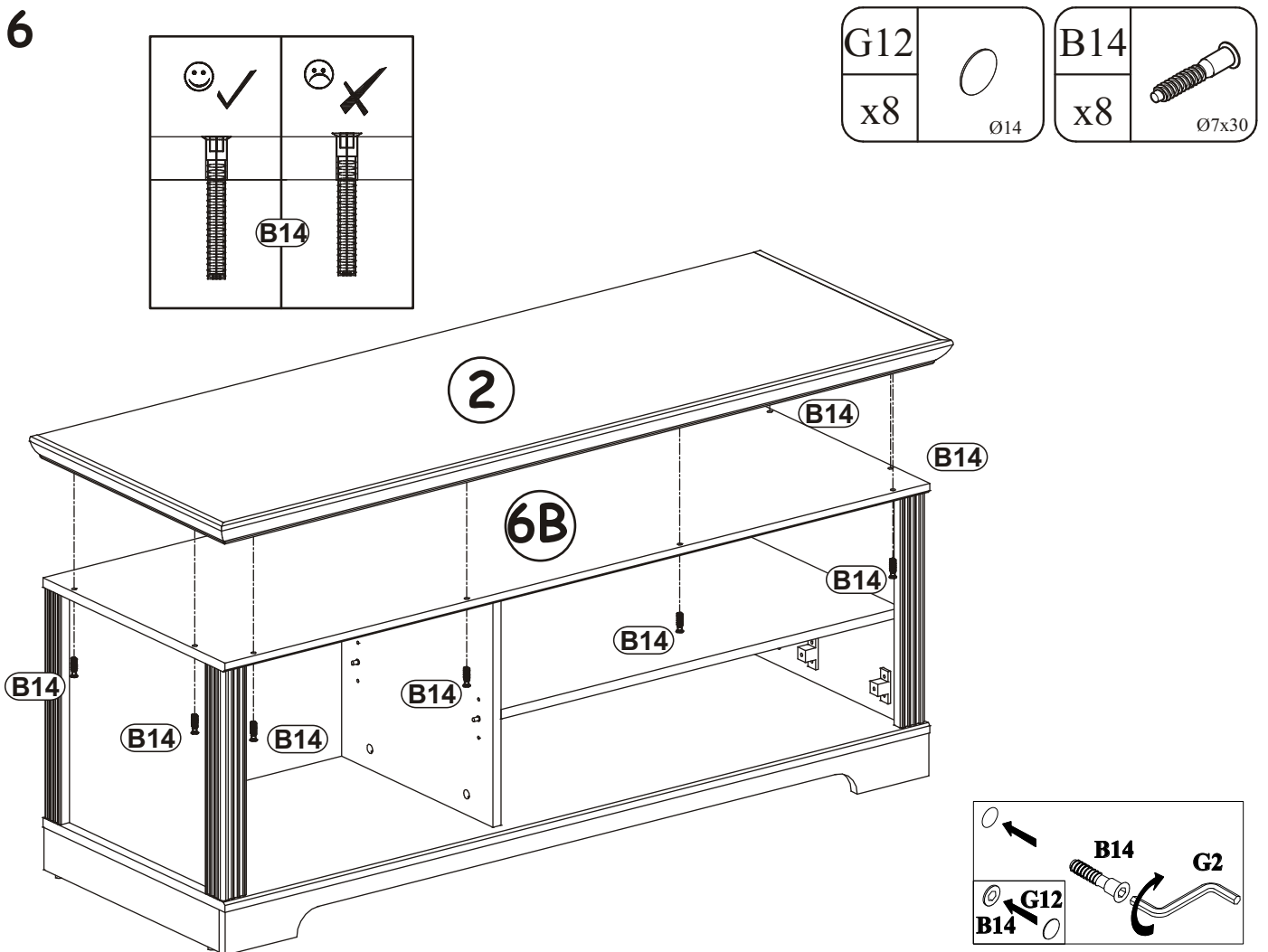
14

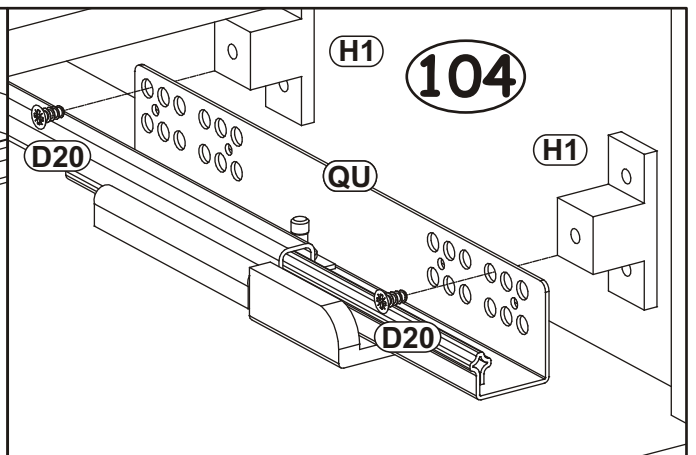
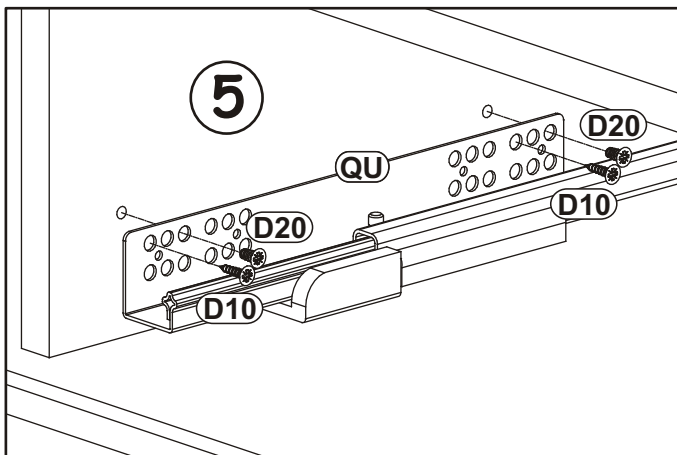
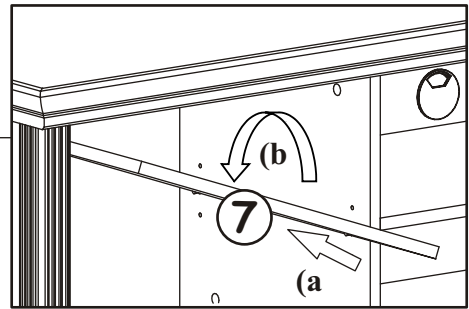
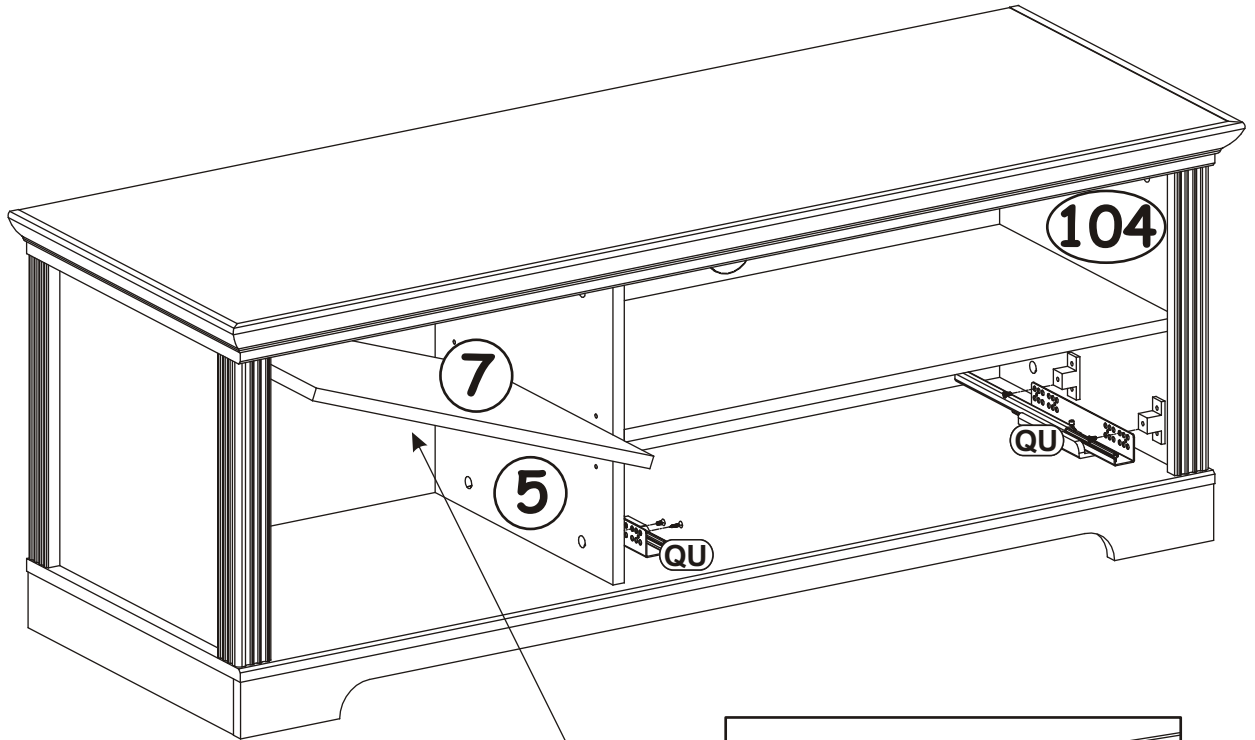
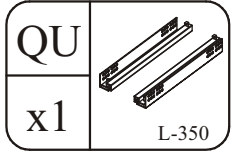
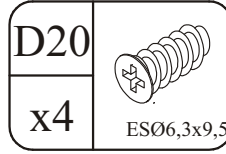
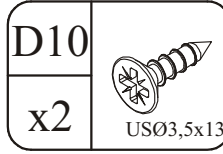


15

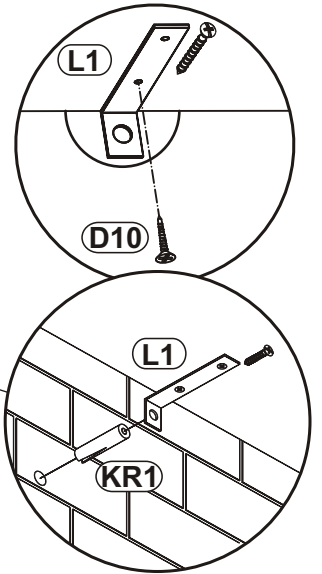
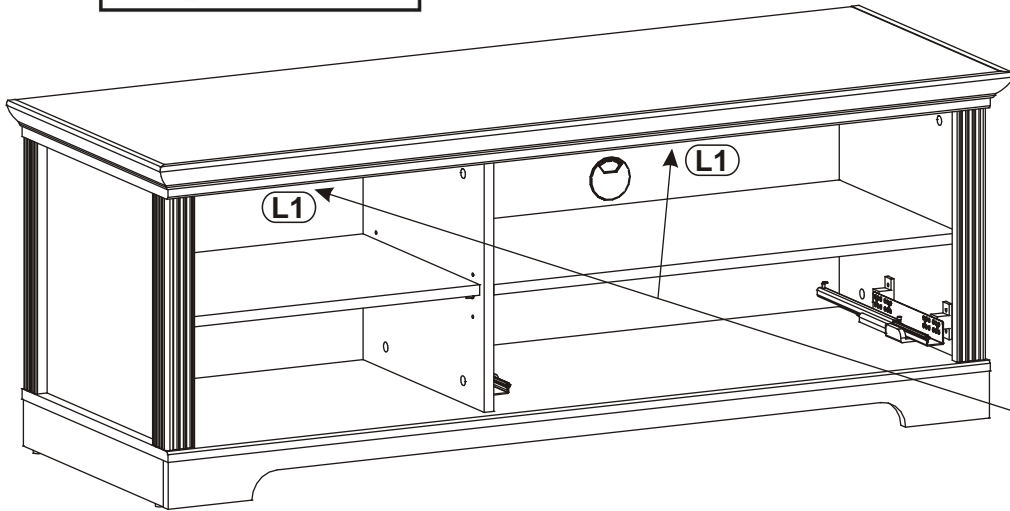
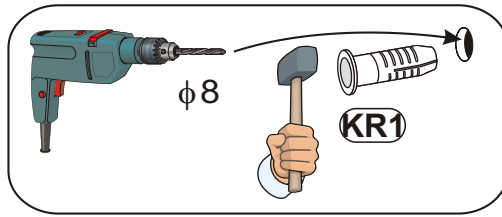
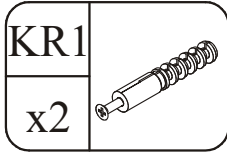
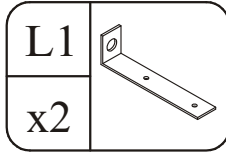
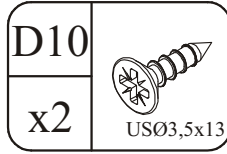
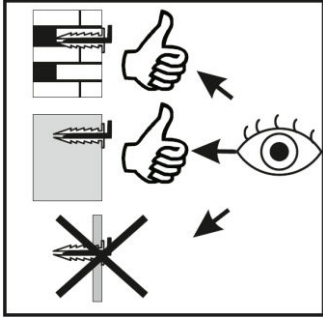


16

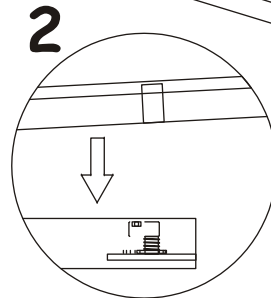
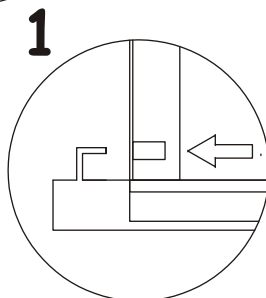
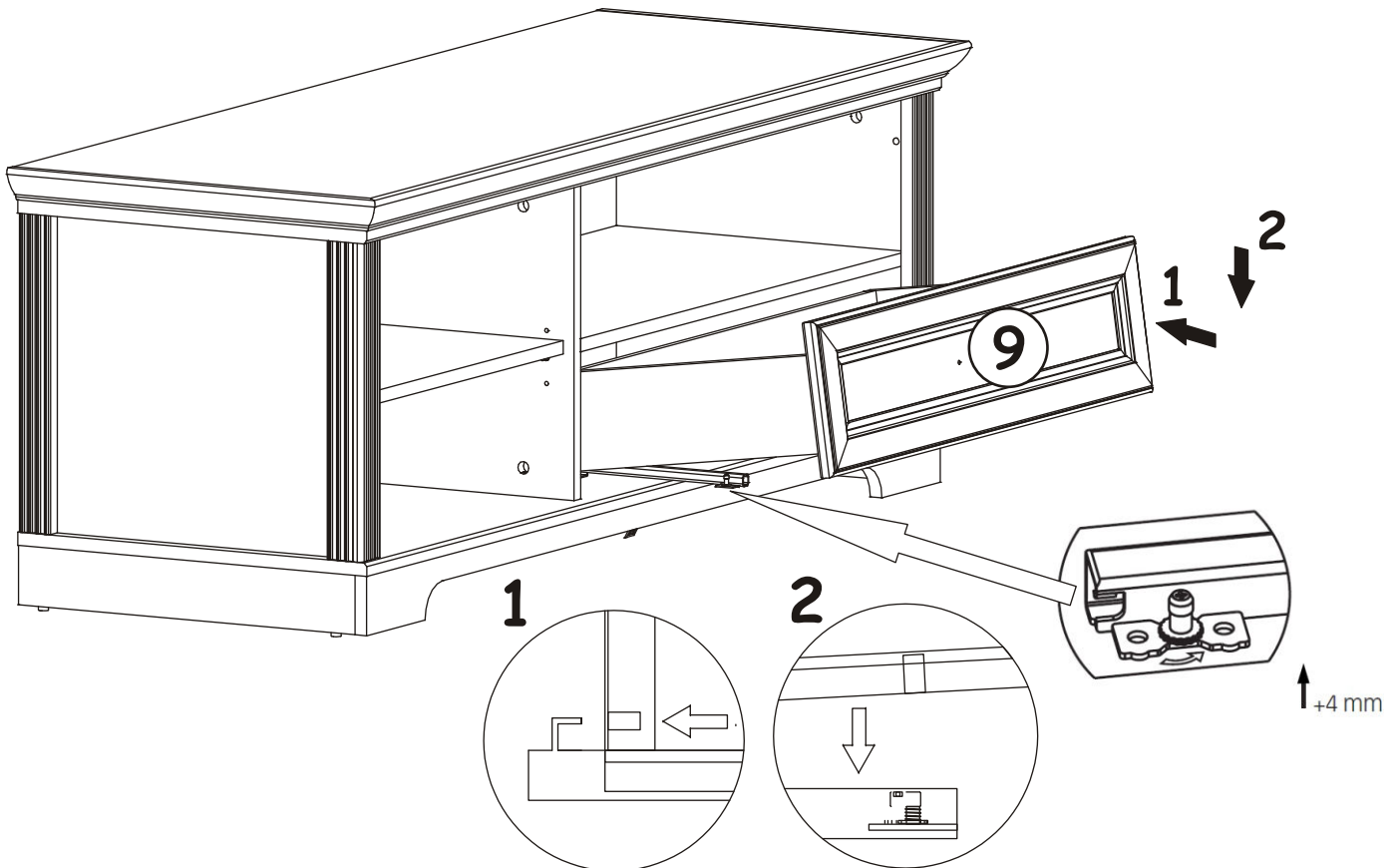




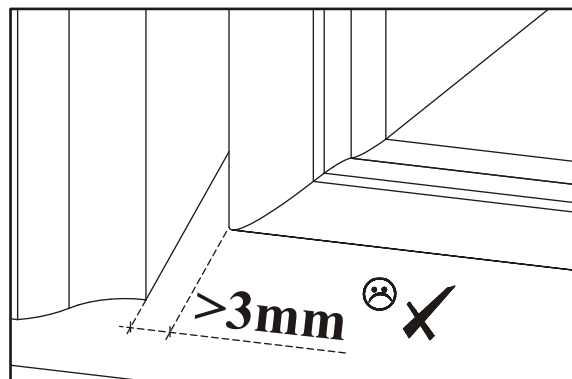
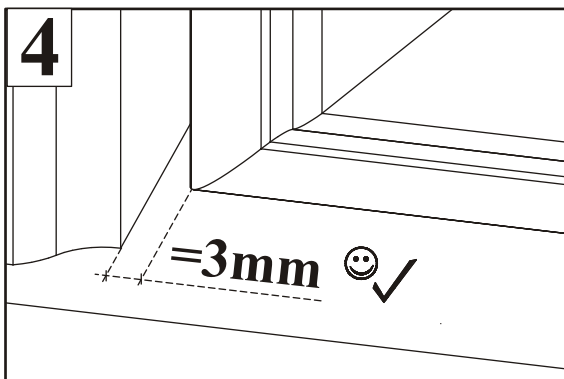
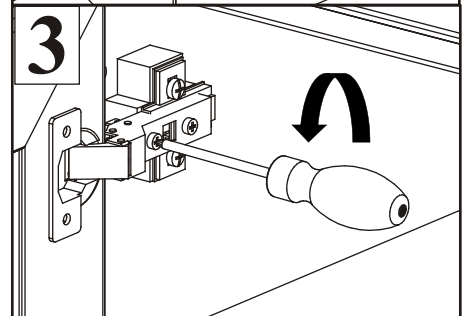
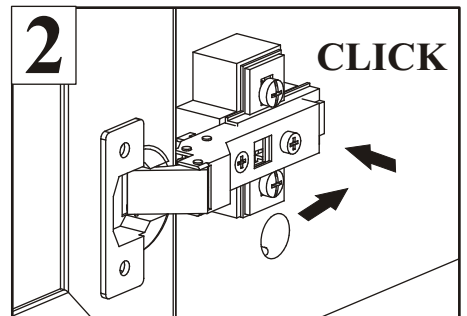
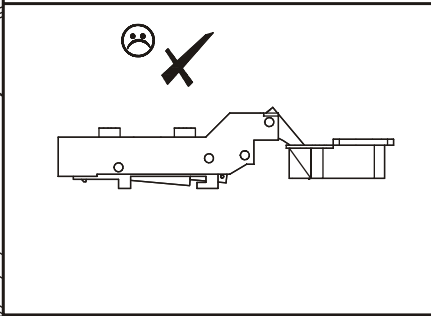
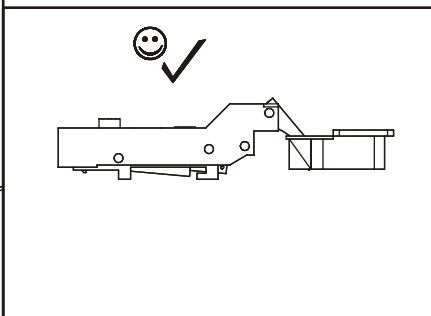
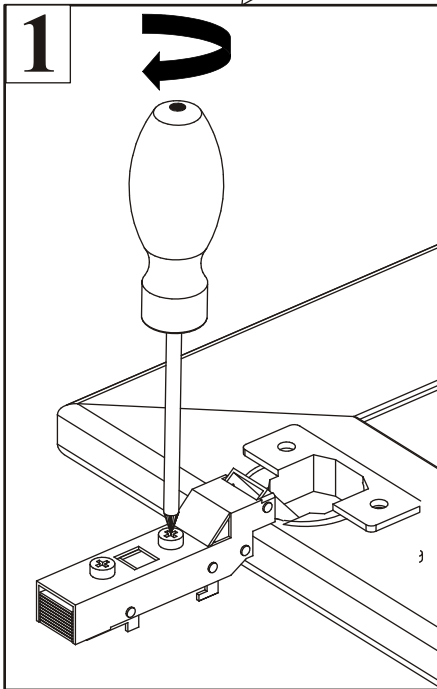
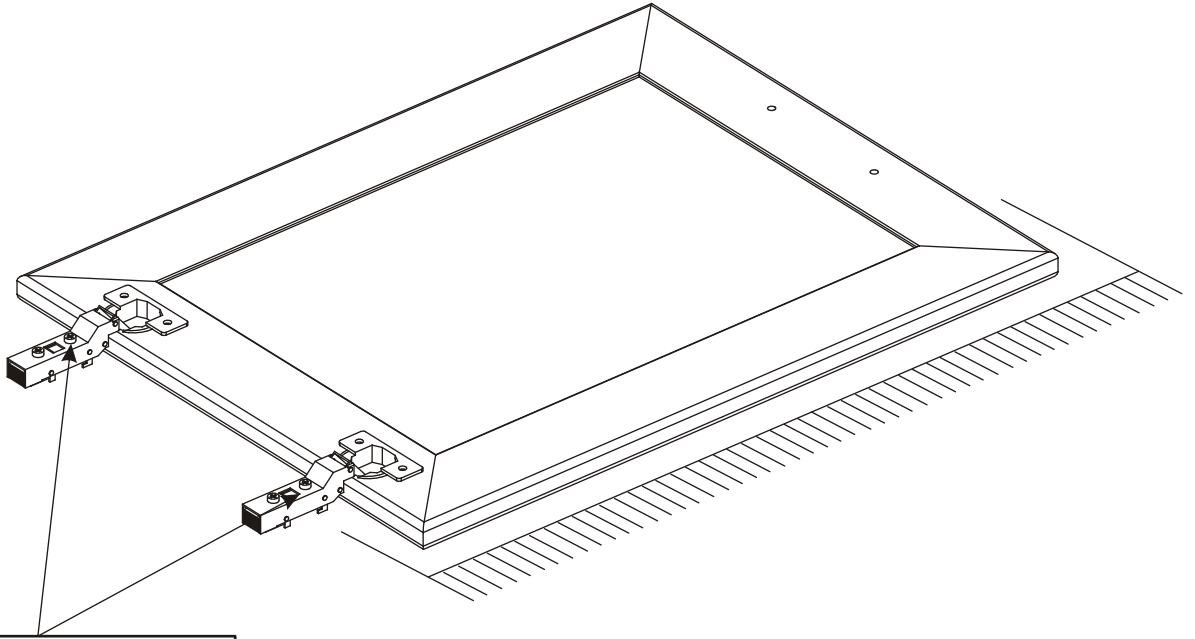
18



19



20



21

