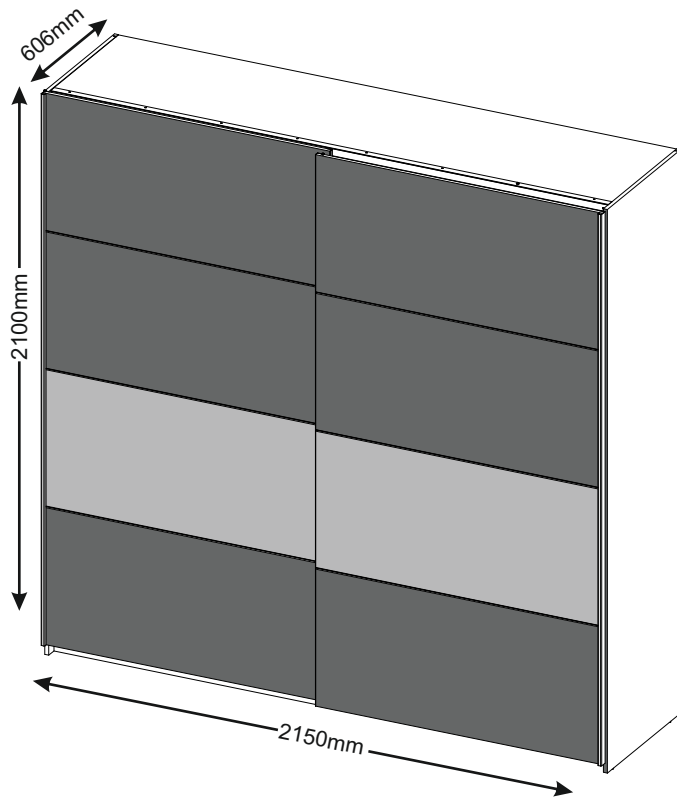
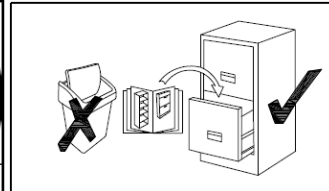
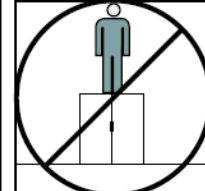
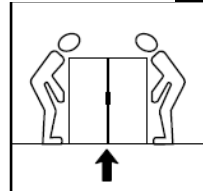
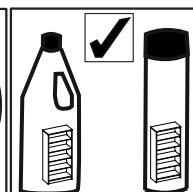
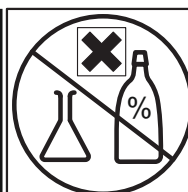
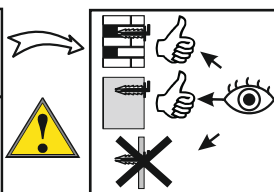
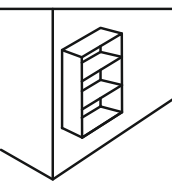
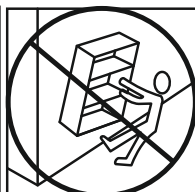
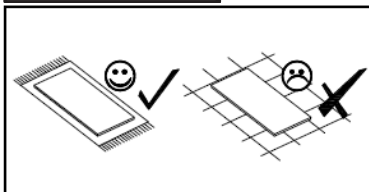
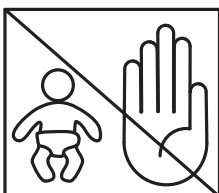
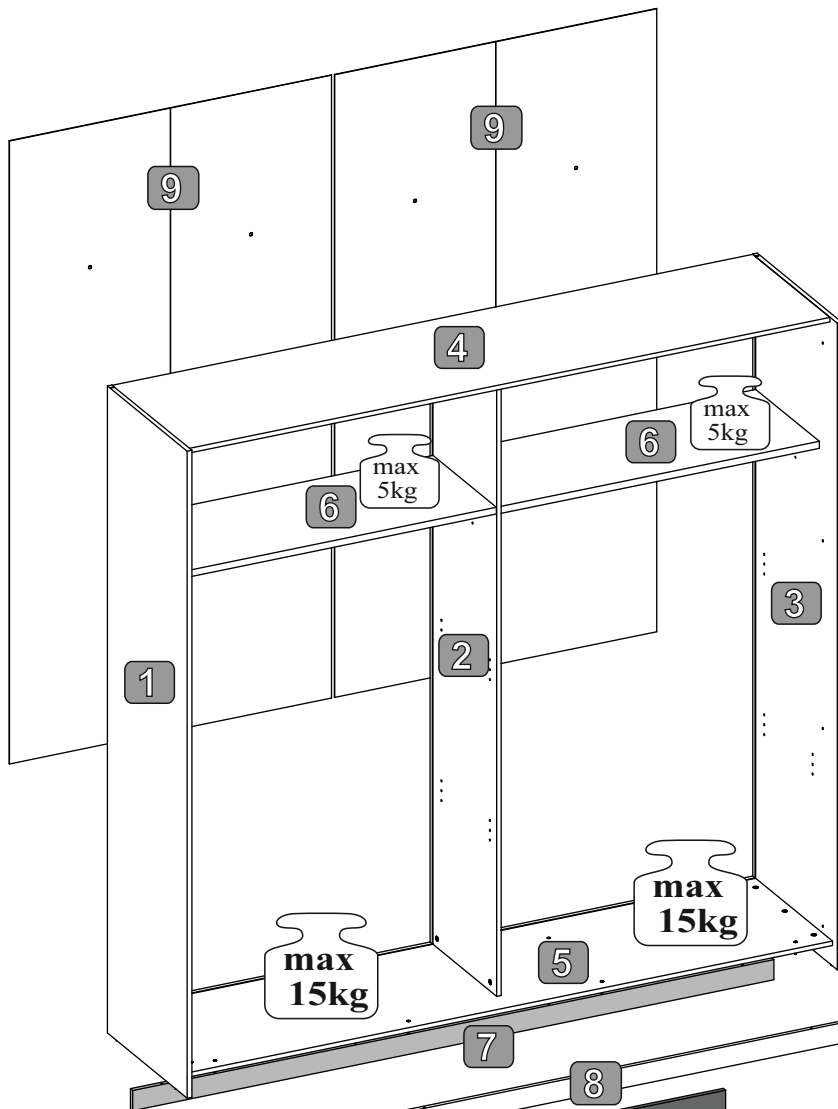


58-701-L0

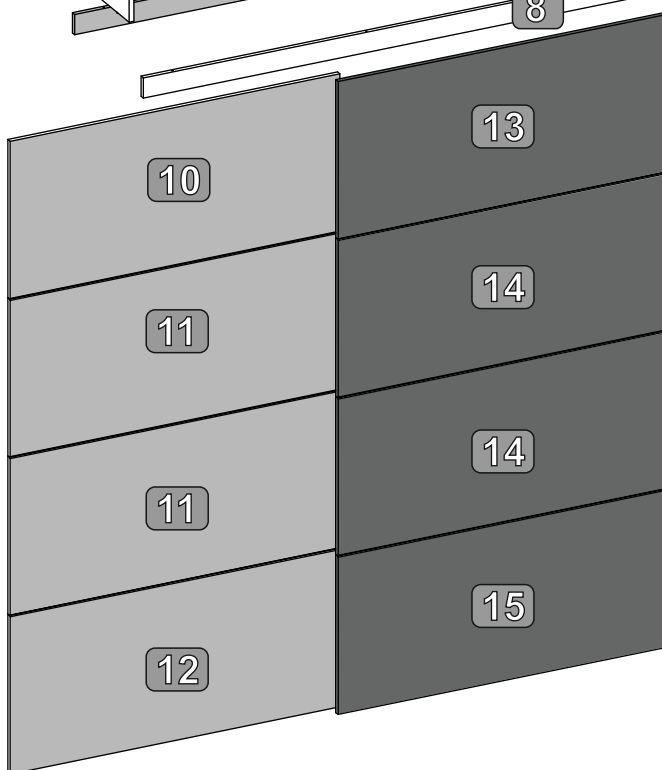


58-701-AJ

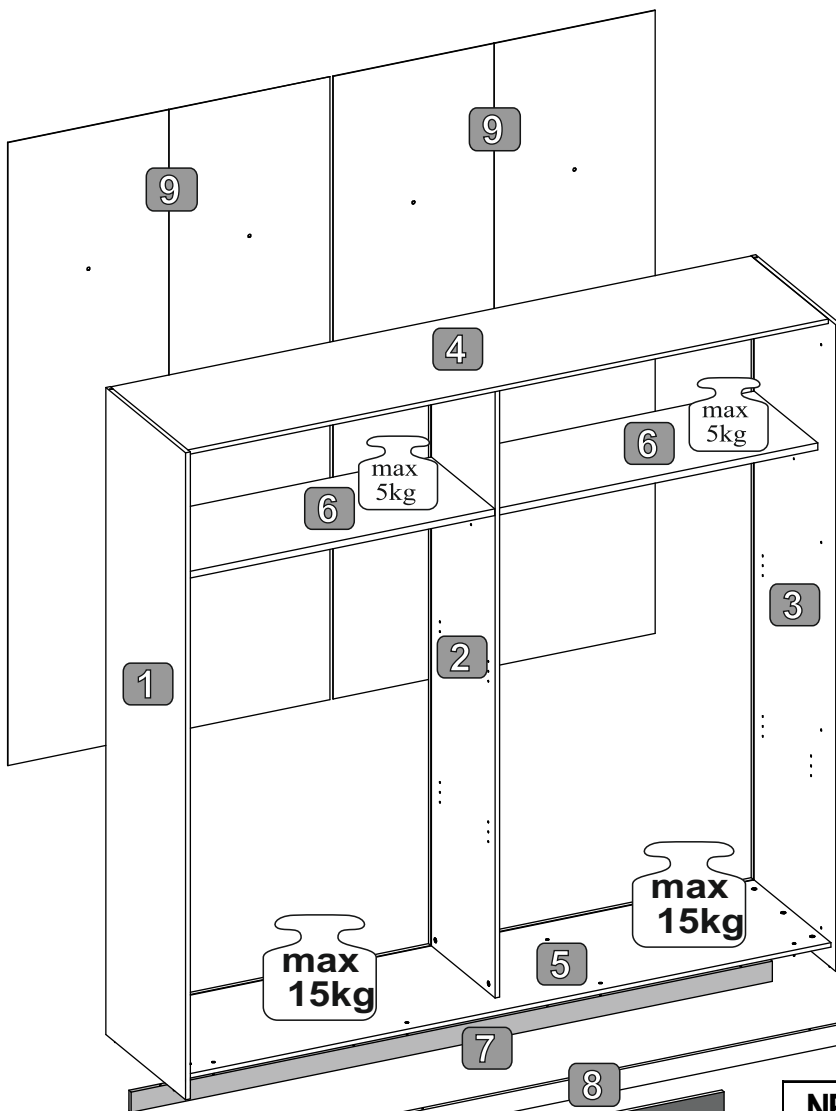




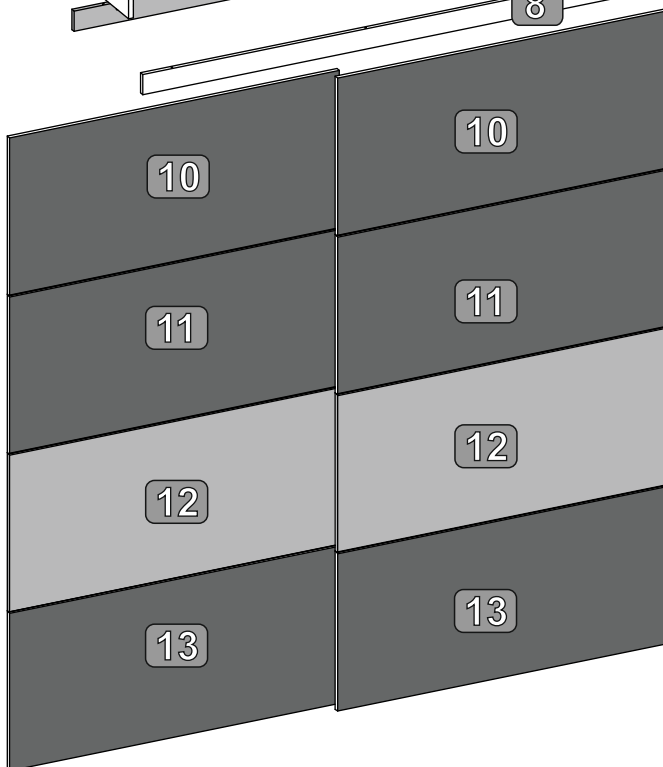
58-701-L0



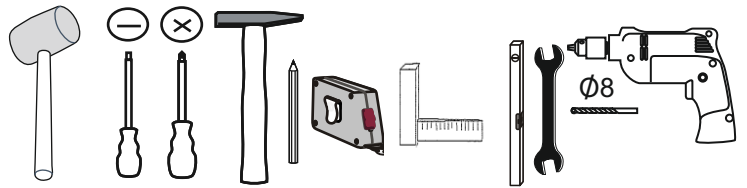
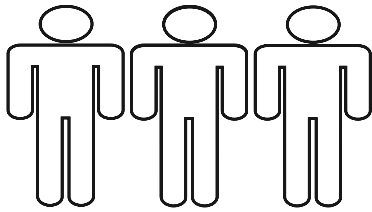
NR	DIM	QTE	COLLI
1	2095x529x15	1	2/3
2	1998x440x15	1	2/3
3	2095x558x15	1	2/3
4	2120x510x15	1	1/3
5	2120x526x15	1	1/3
6	1052,5x420x22	2	1/3
7	2120x66x15	1	1/3
8	2120x66x15	1	1/3
9	2017x1065x2	2	2/3
10	1090x512,5x15	1	3/3
11	1090x512,5x15	2	3/3
12	1090x512,5x15	1	3/3
13	1090x512,5x15	1	3/3
14	1090x512,5x15	2	3/3
15	1090x512,5x15	1	3/3



58-701-AJ



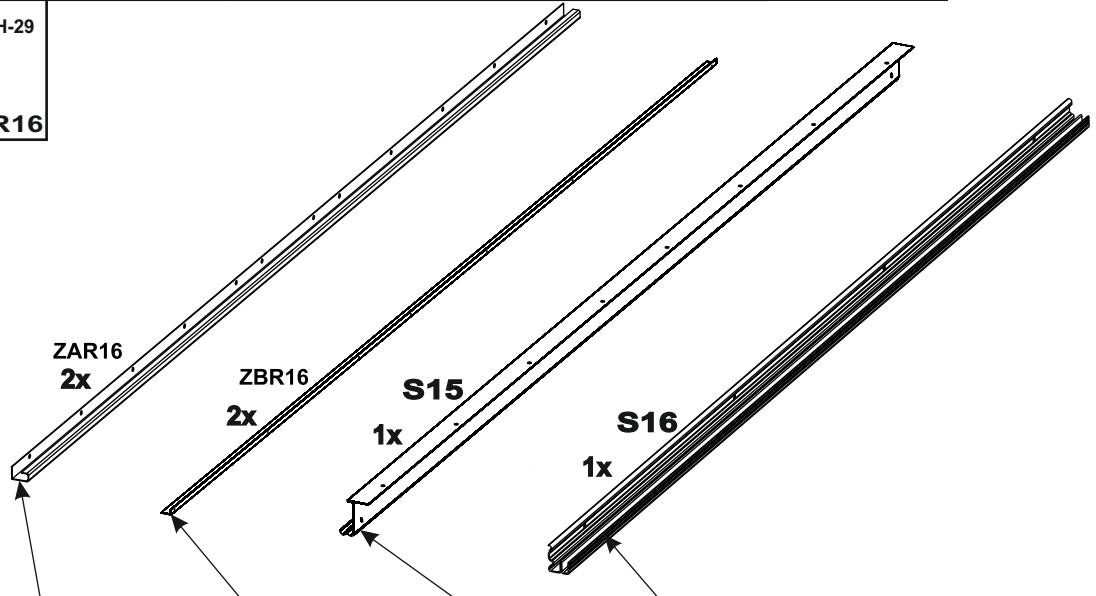
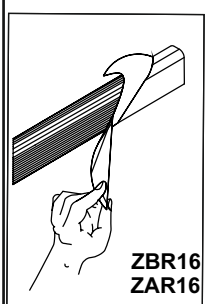
NR	DIM	QTE	COLLI
1	2095x529x15	1	2/3
2	1998x440x15	1	2/3
3	2095x558x15	1	2/3
4	2120x510x15	1	1/3
5	2120x526x15	1	1/3
6	1052,5x420x22	2	1/3
7	2120x66x15	1	1/3
8	2120x66x15	1	1/3
9	2017x1065x2	2	2/3
10	1090x512,5x15	2	3/3
11	1090x512,5x15	2	3/3
12	1090x512,5x15	2	3/3
13	1090x512,5x15	2	3/3



4x E03	2x J01	8x T05	4x R02	28x R01	10x S01	16x C01
8x C02	8x T04	4x W07	16x T02	16x T01	8x W09	8x W16
1x K02	12x D01	8x W03	4x W36	12x W08	24x W13	105x W02
2x F01	2x F11	2x P01	4x W07	= =		

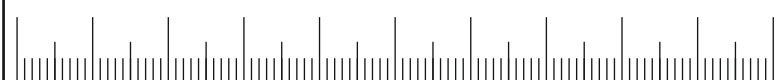
2x S14	2x S13	2x S10	2x S12	2x W05S	2x E05	2x E04
------------------	------------------	------------------	------------------	-------------------	------------------	------------------

1x S11	4x ZA3R16
------------------	---------------------

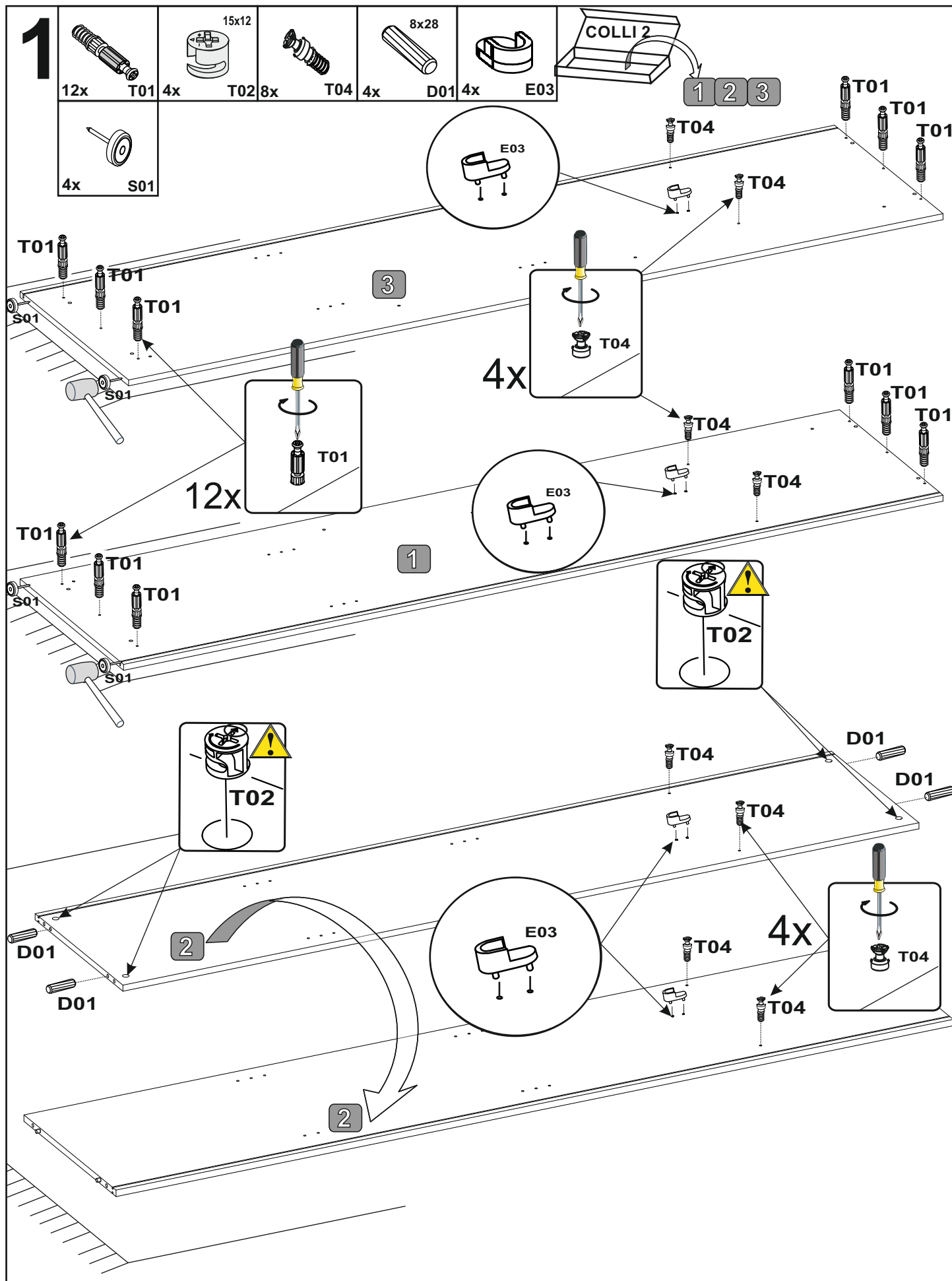


2x ZAR16	2x ZBR16	1x S15	1x S16
--------------------	--------------------	------------------	------------------

0 10 20 30 40 50 60 70 80 90 100



Nr	Ausmaß	St	Colli
ZAR16	L-2050	2	1/3
ZBR16	L-2050	2	1/3
S15	L-2119	1	1/3
S16	L-2119	1	1/3



2

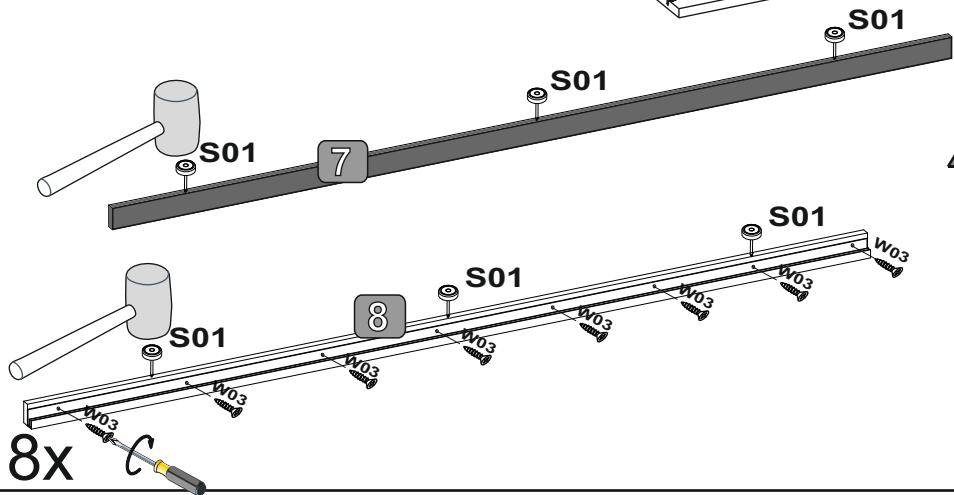
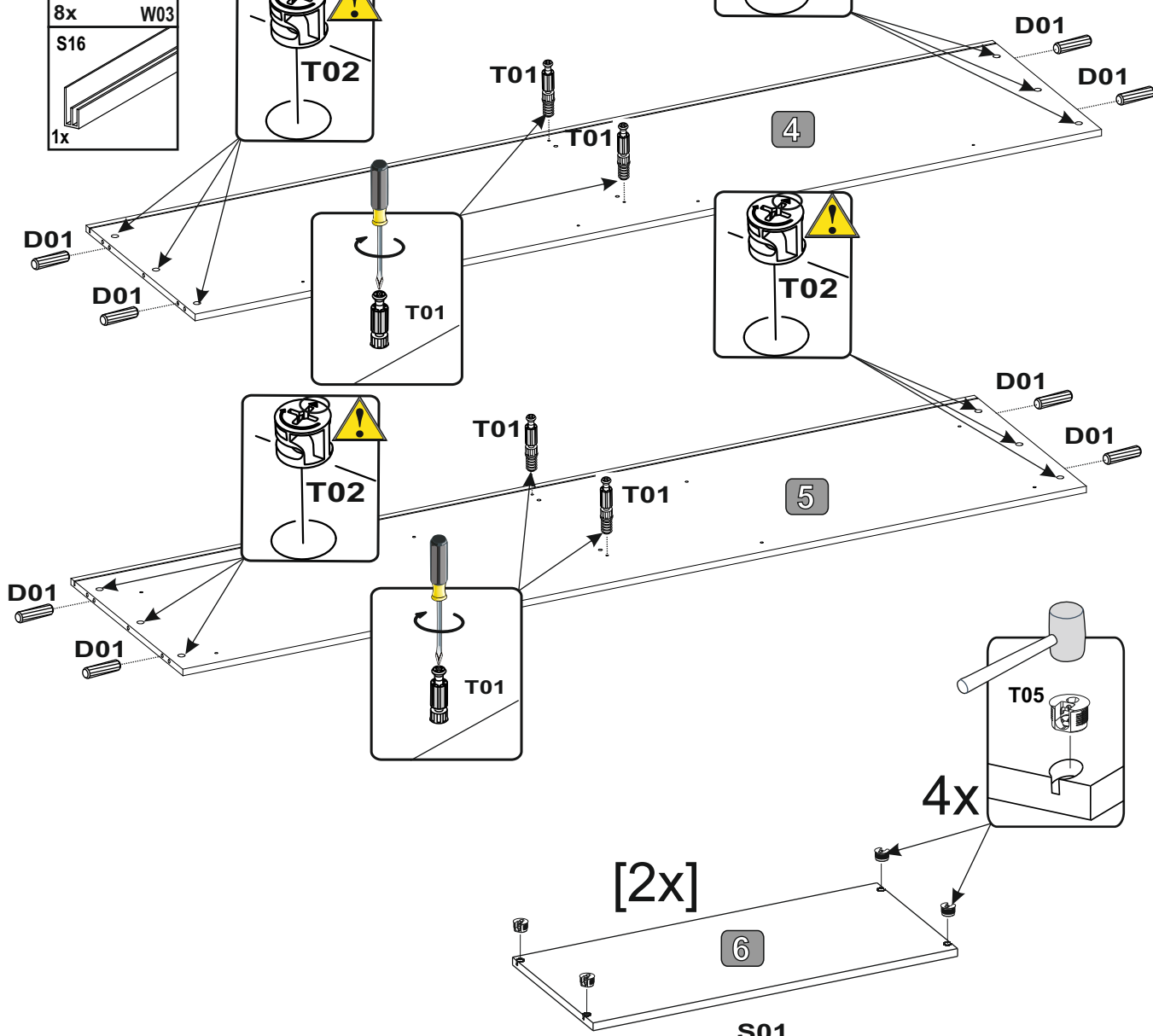
8x28 8x D01	4x T01	15x12 12x T02	6x S01	8x T05
-------------------	-----------	---------------------	-----------	-----------

3 x 13
8x
W03

S16
1x

COLLI 1

4 5 6 7 8



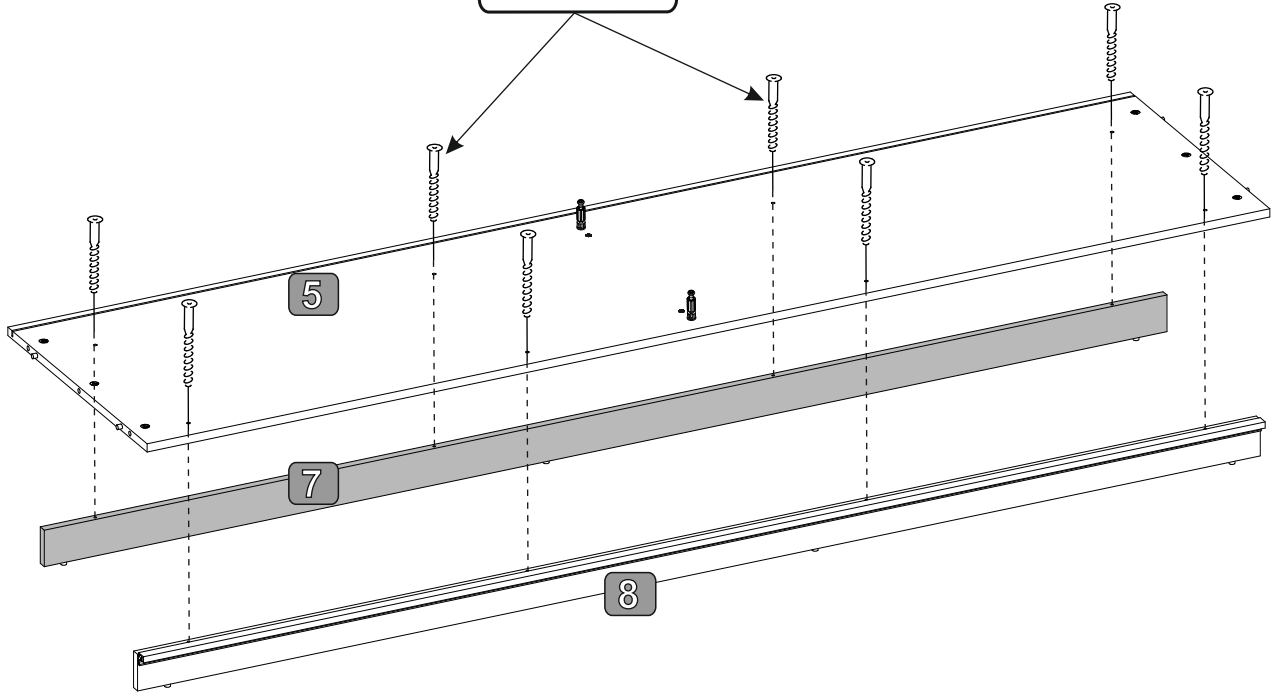
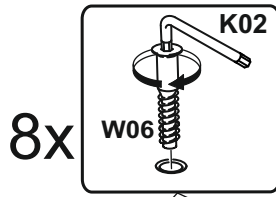
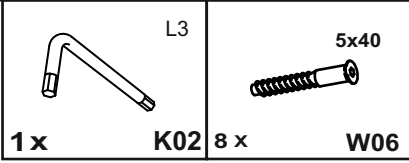
! (Warning)

S01

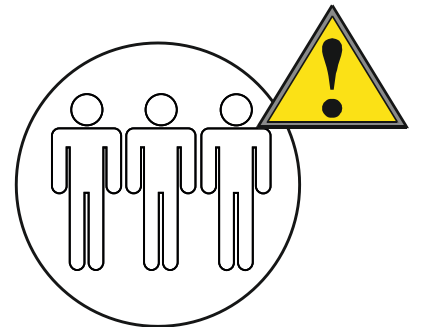
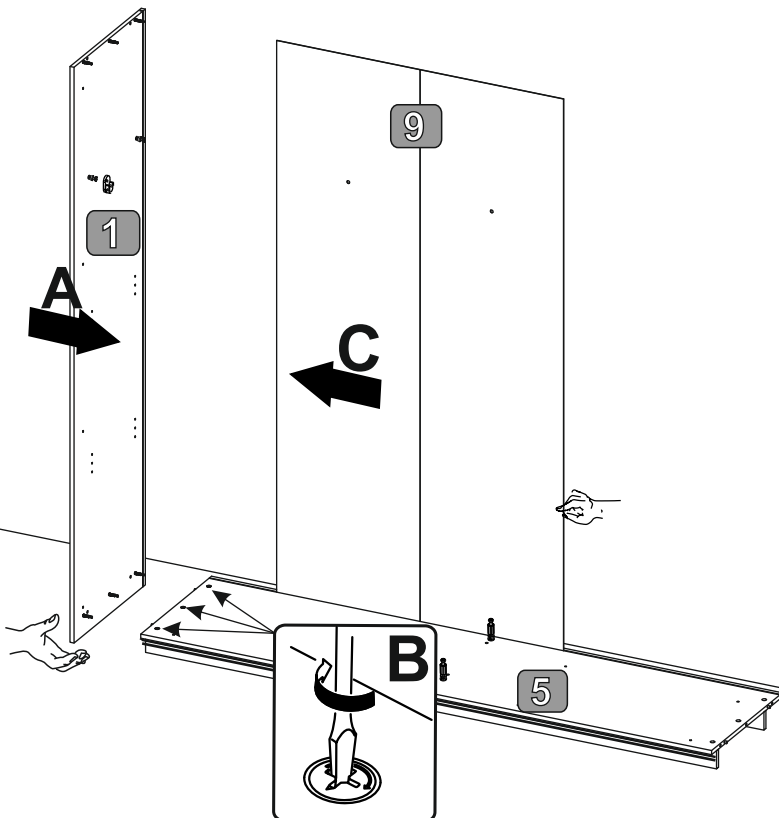
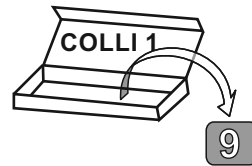
W03

S16

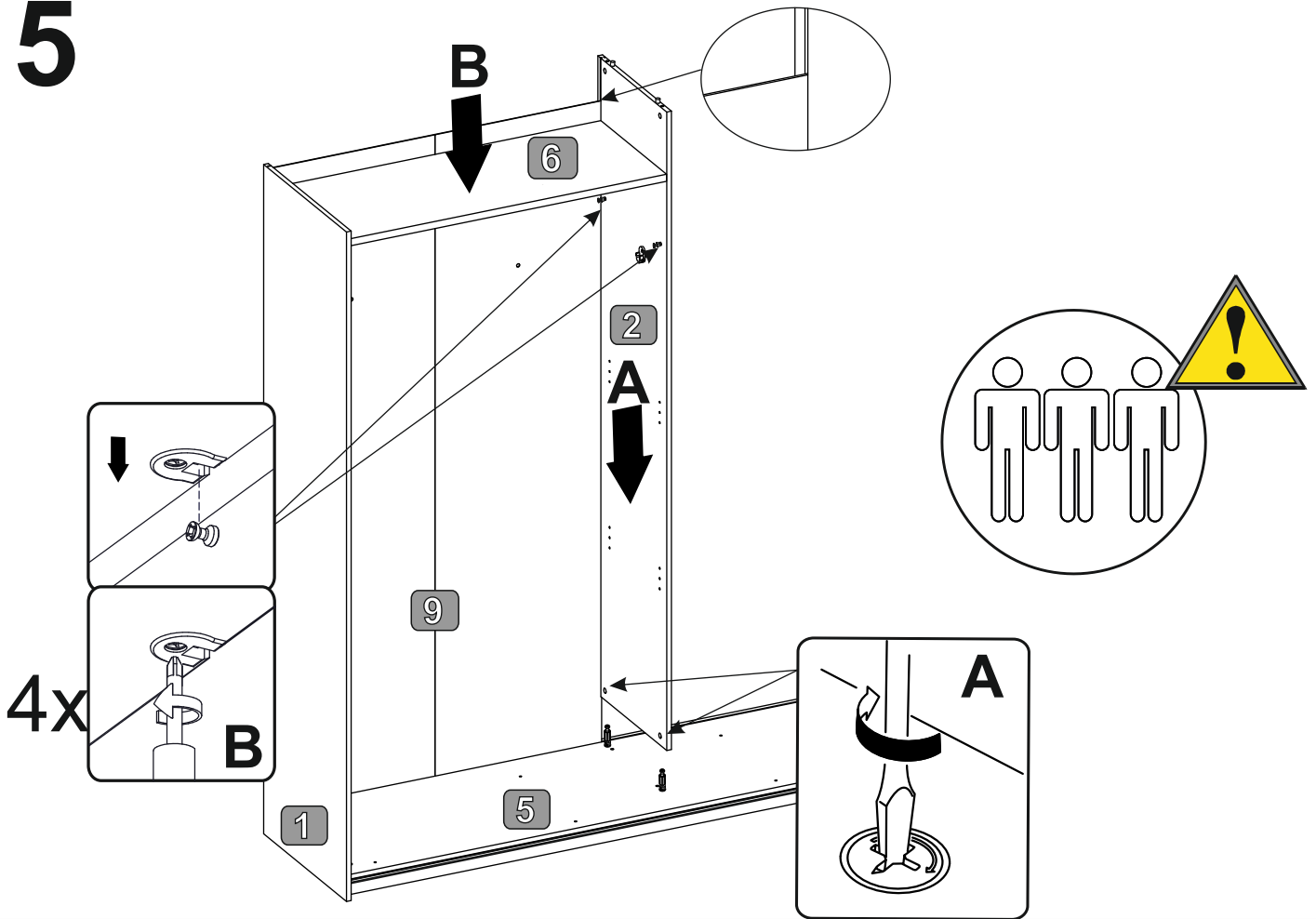
3



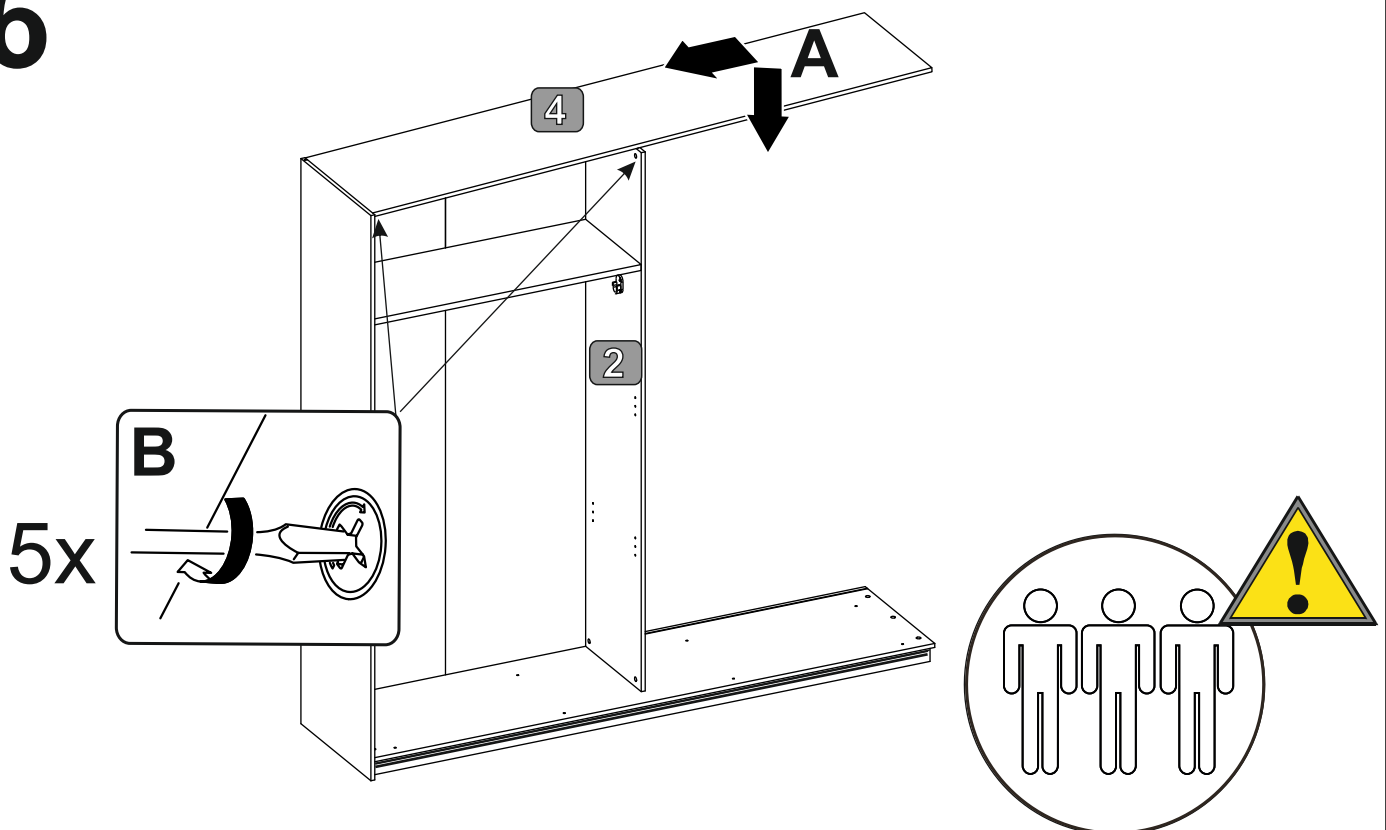
4



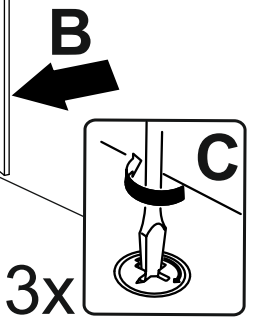
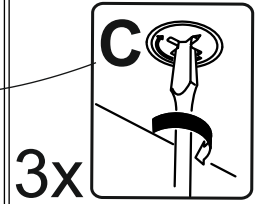
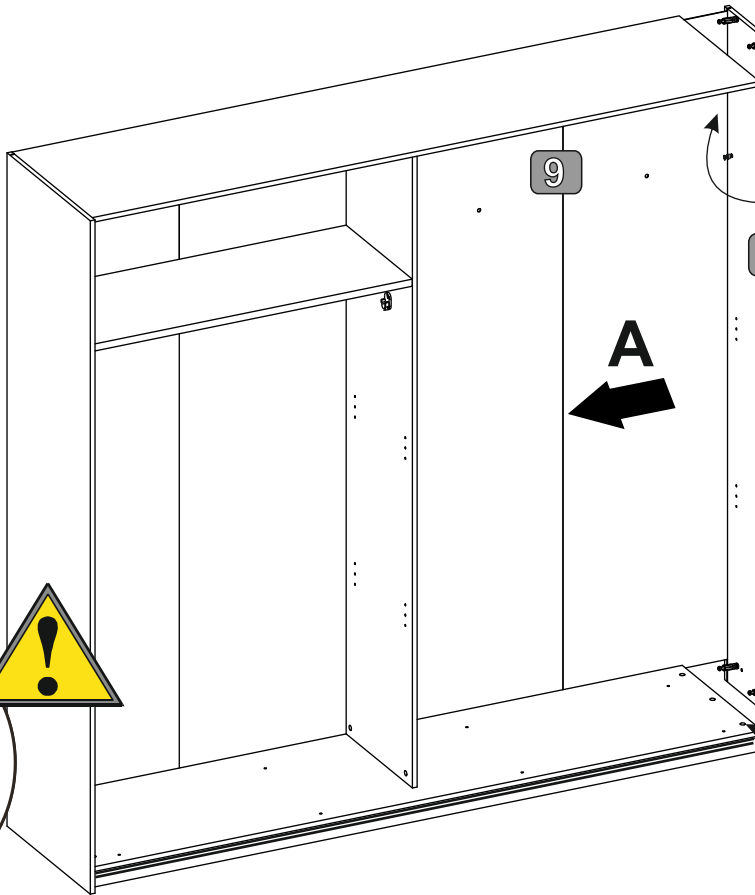
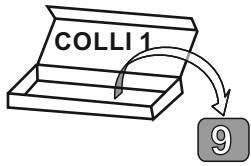
5



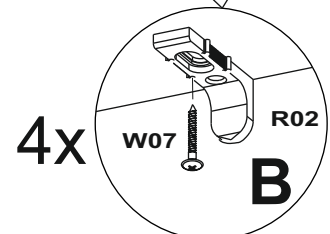
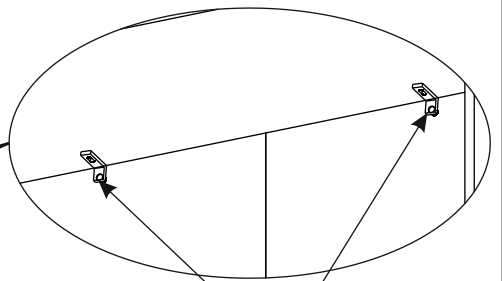
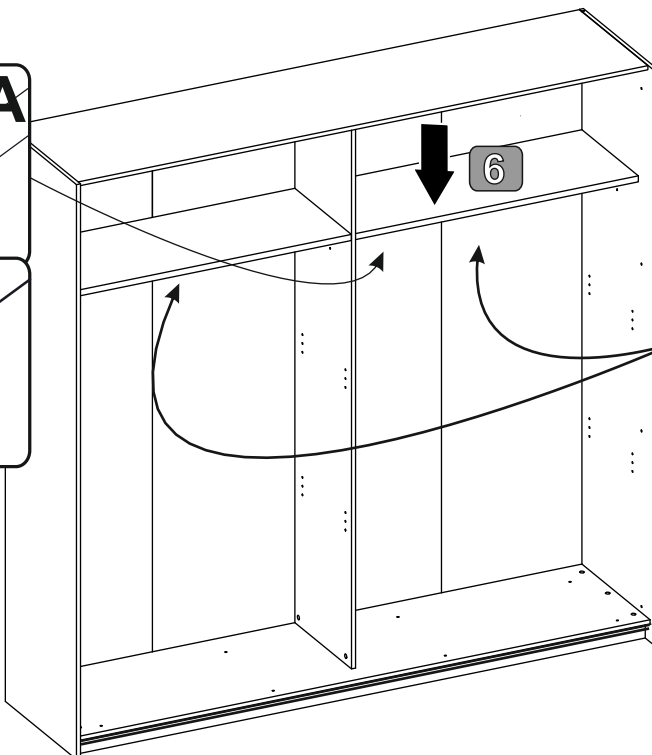
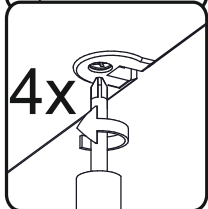
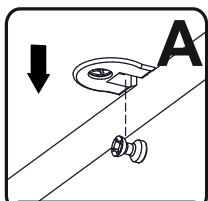
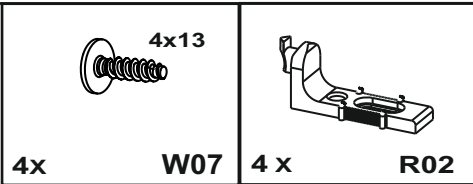
6








7

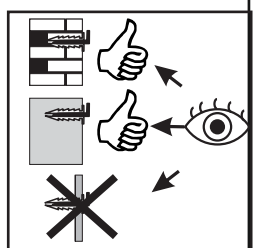
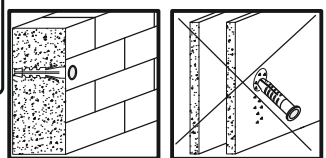
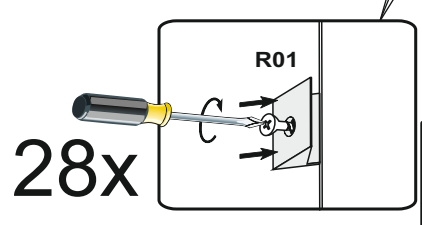
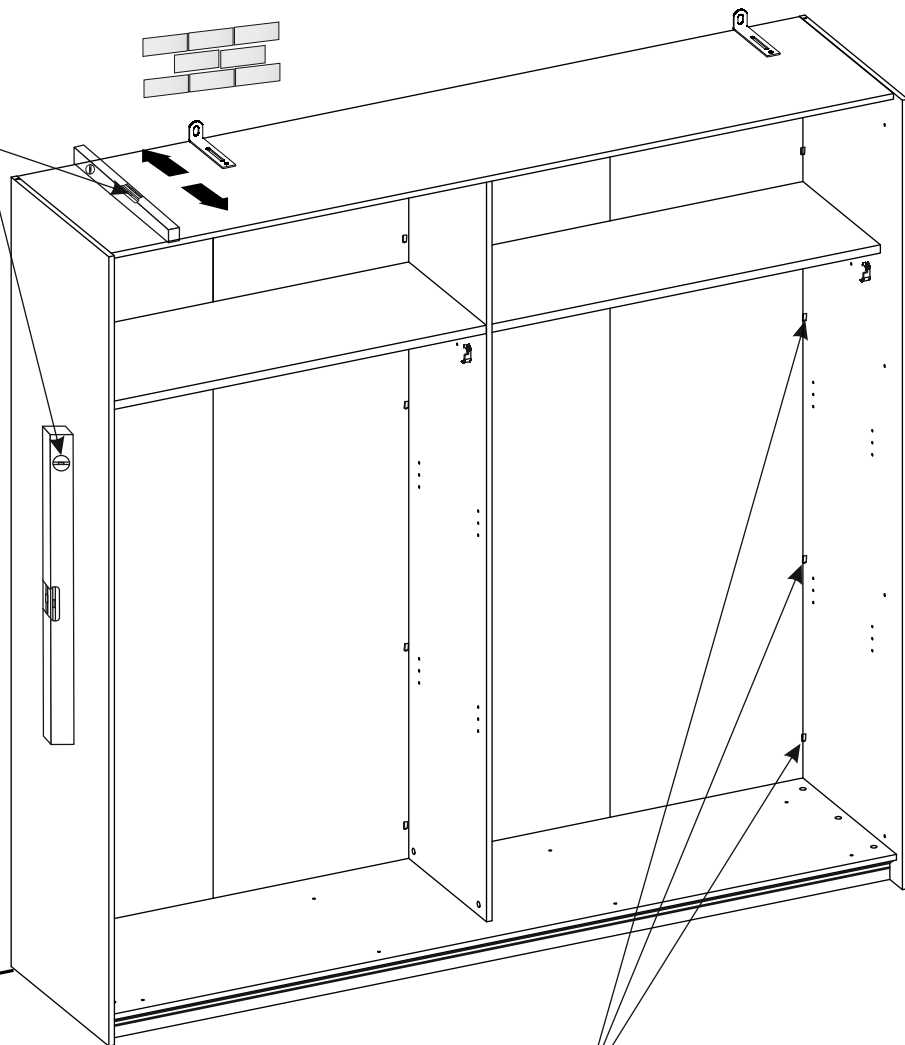
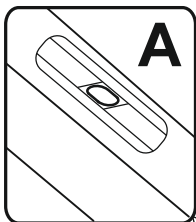
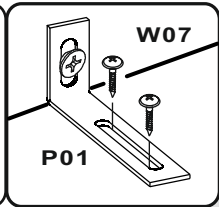
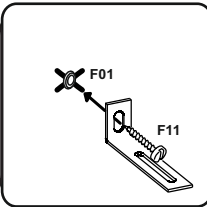
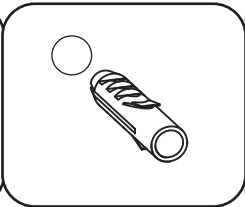
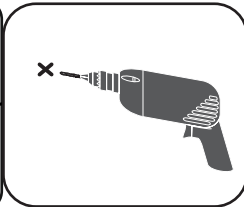
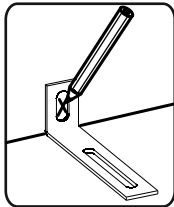


8

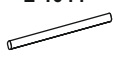

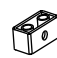


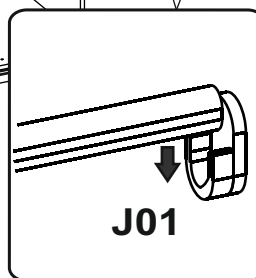
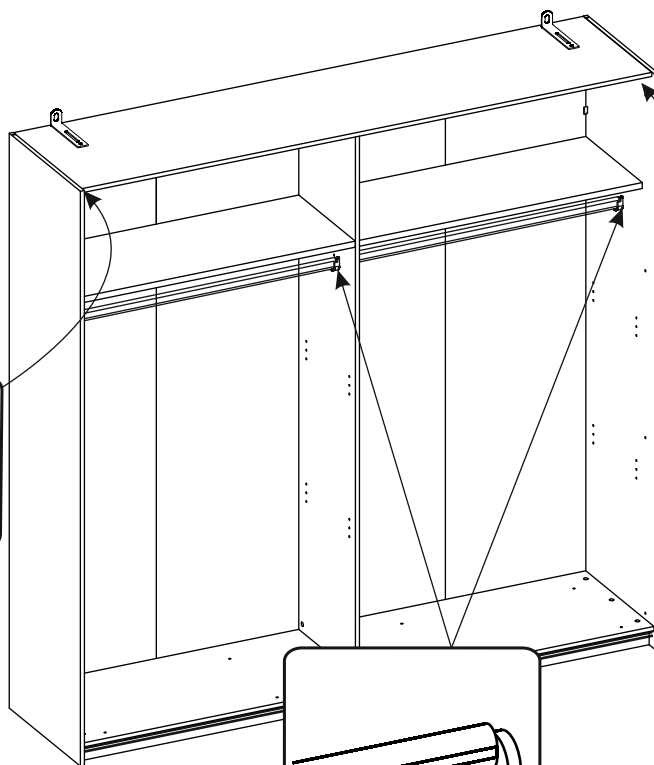
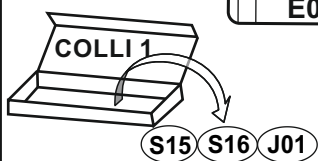
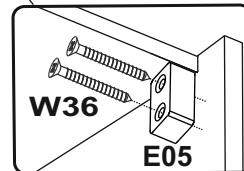
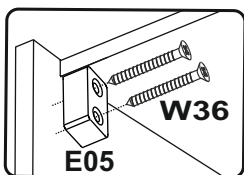
9

				
2x F11	2x F01	2x P01	4x W07	28 x R01


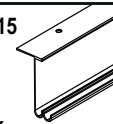


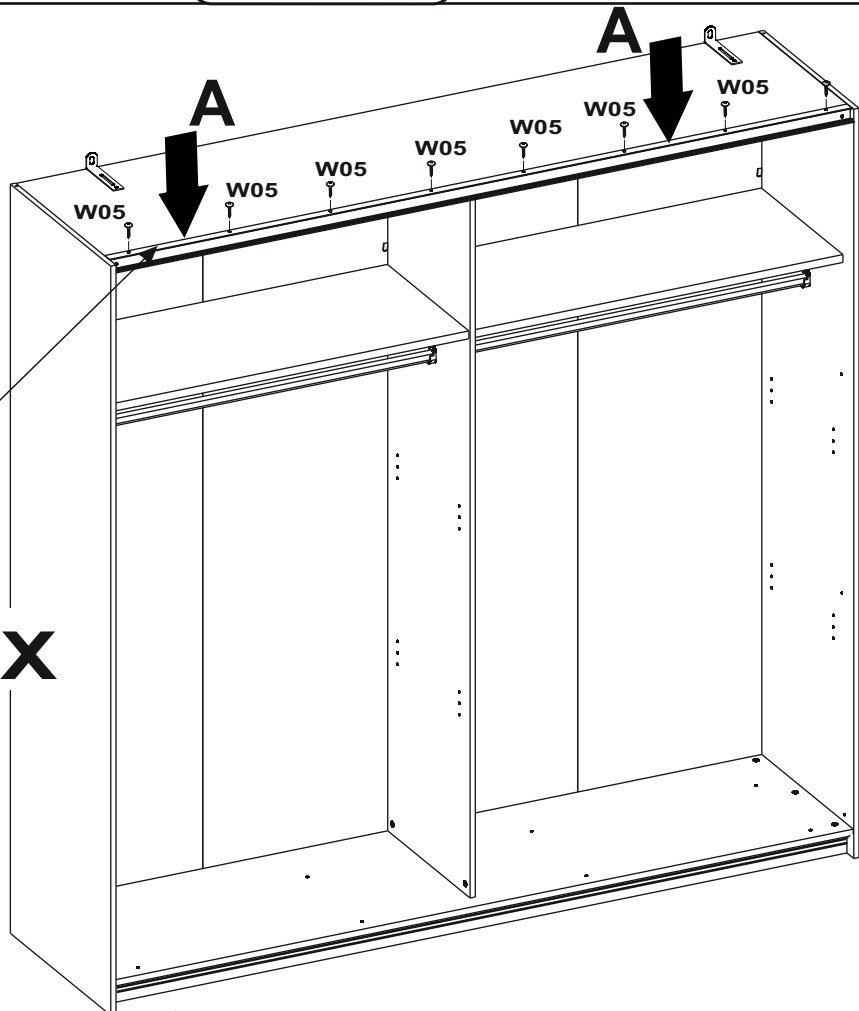
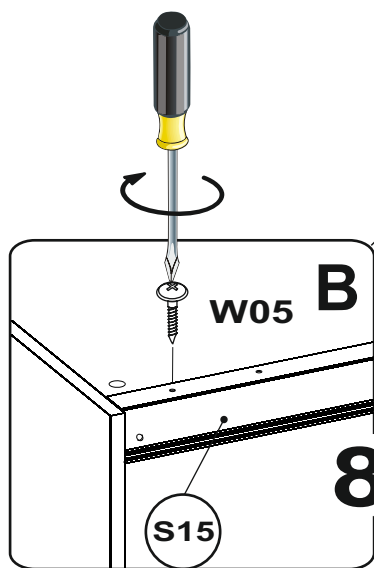
10

L-1044	3,5x25
	
2 x J01	4x W36
	
2x E05	

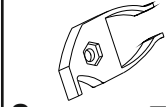


11

3,5x13	S15
	
8 x W05	1x

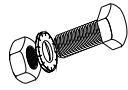


12



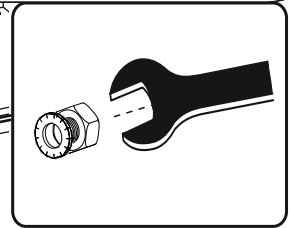
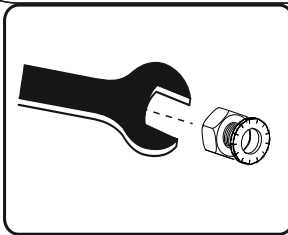
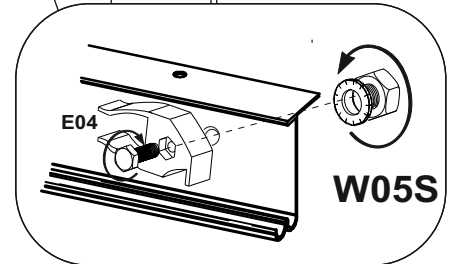
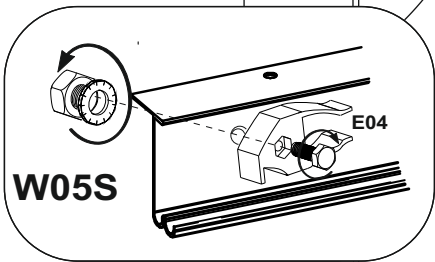
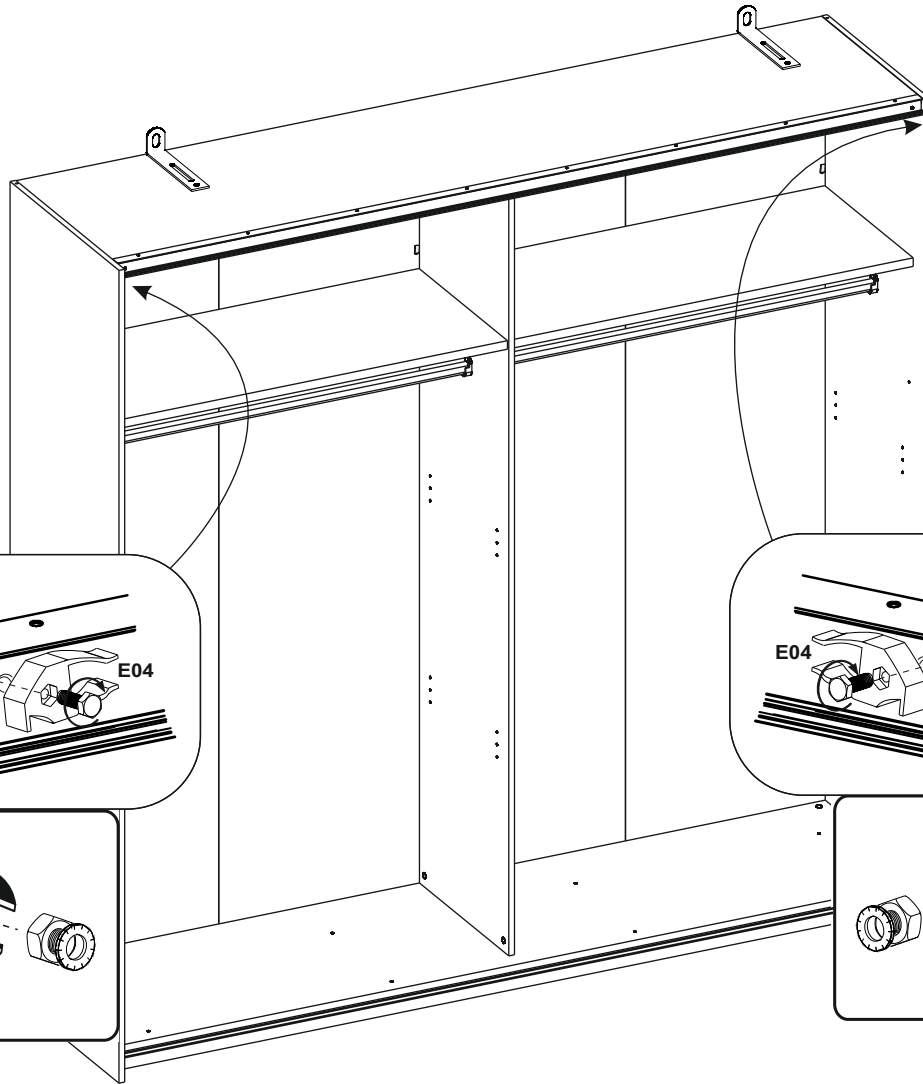
2X

E04

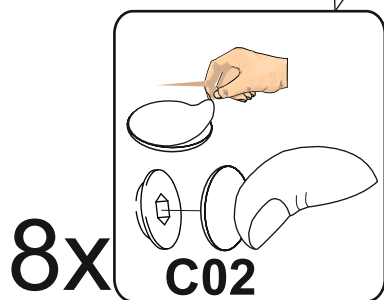
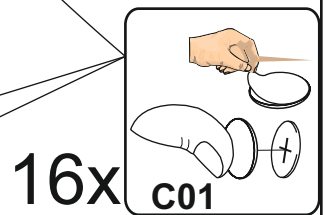
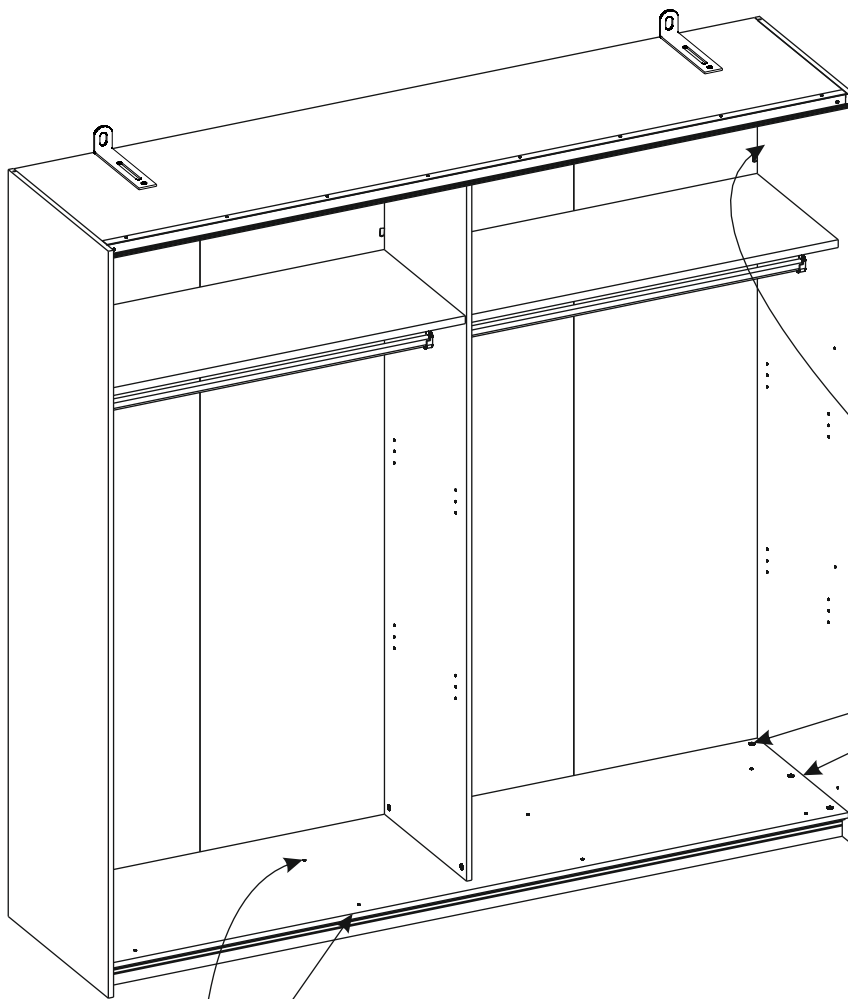
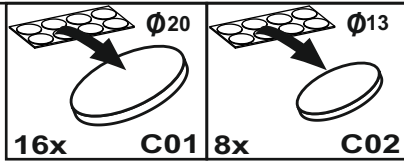


2X

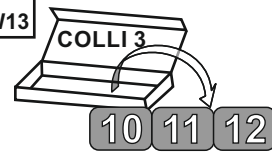
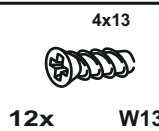
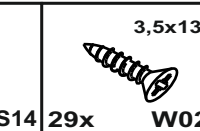
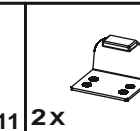
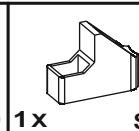
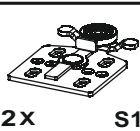
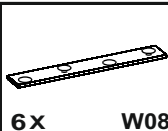
W05S



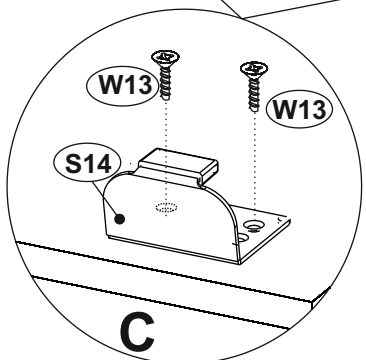
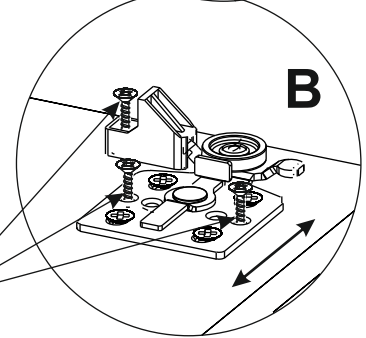
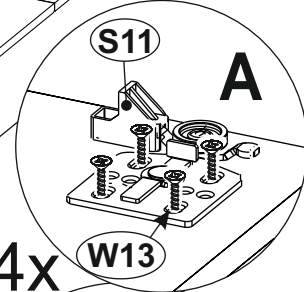
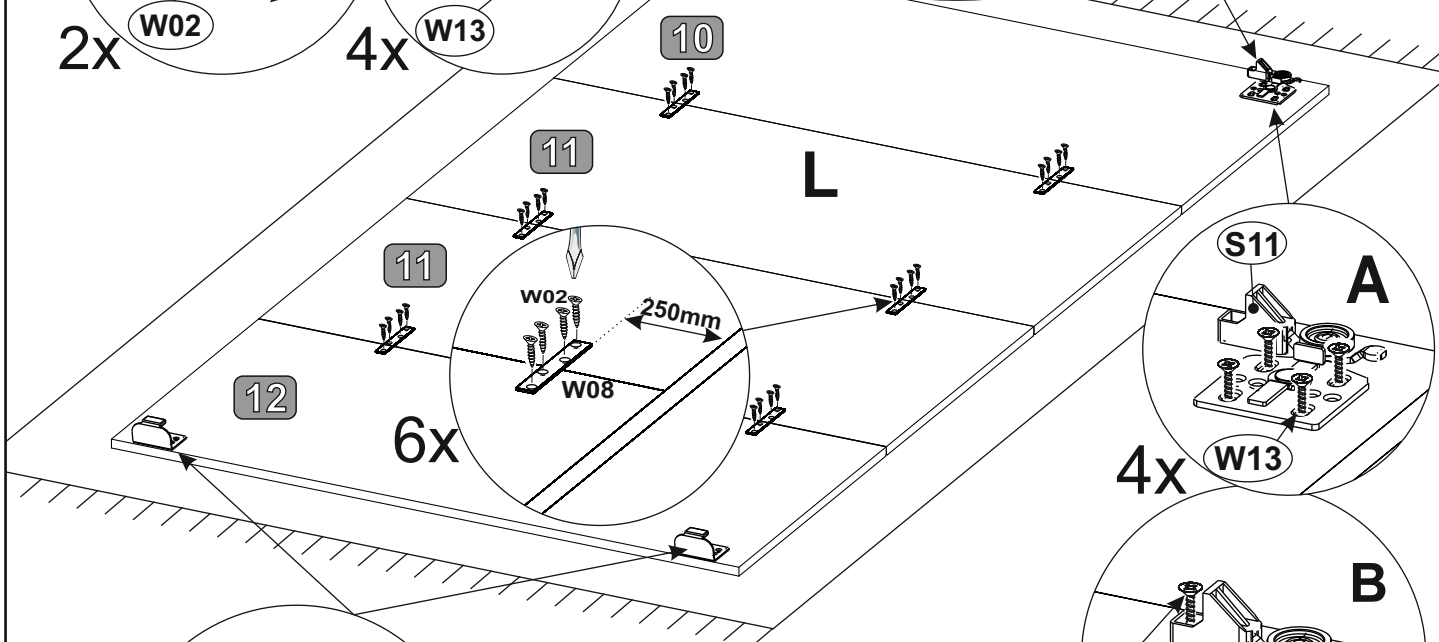
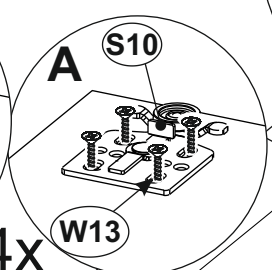
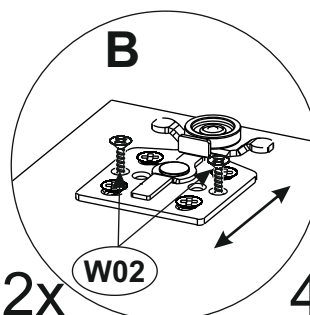
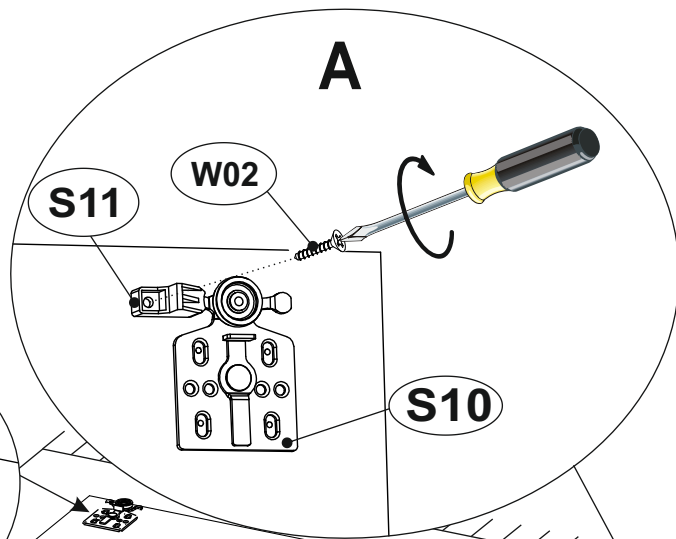
13



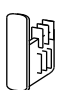
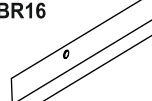
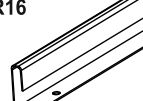

14



58-701-L0

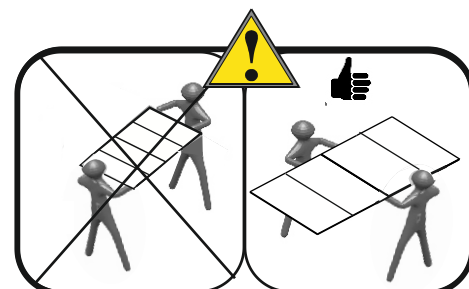
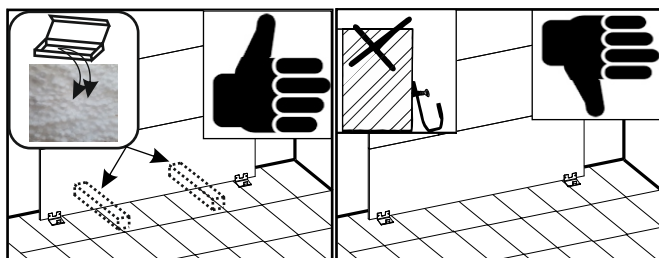
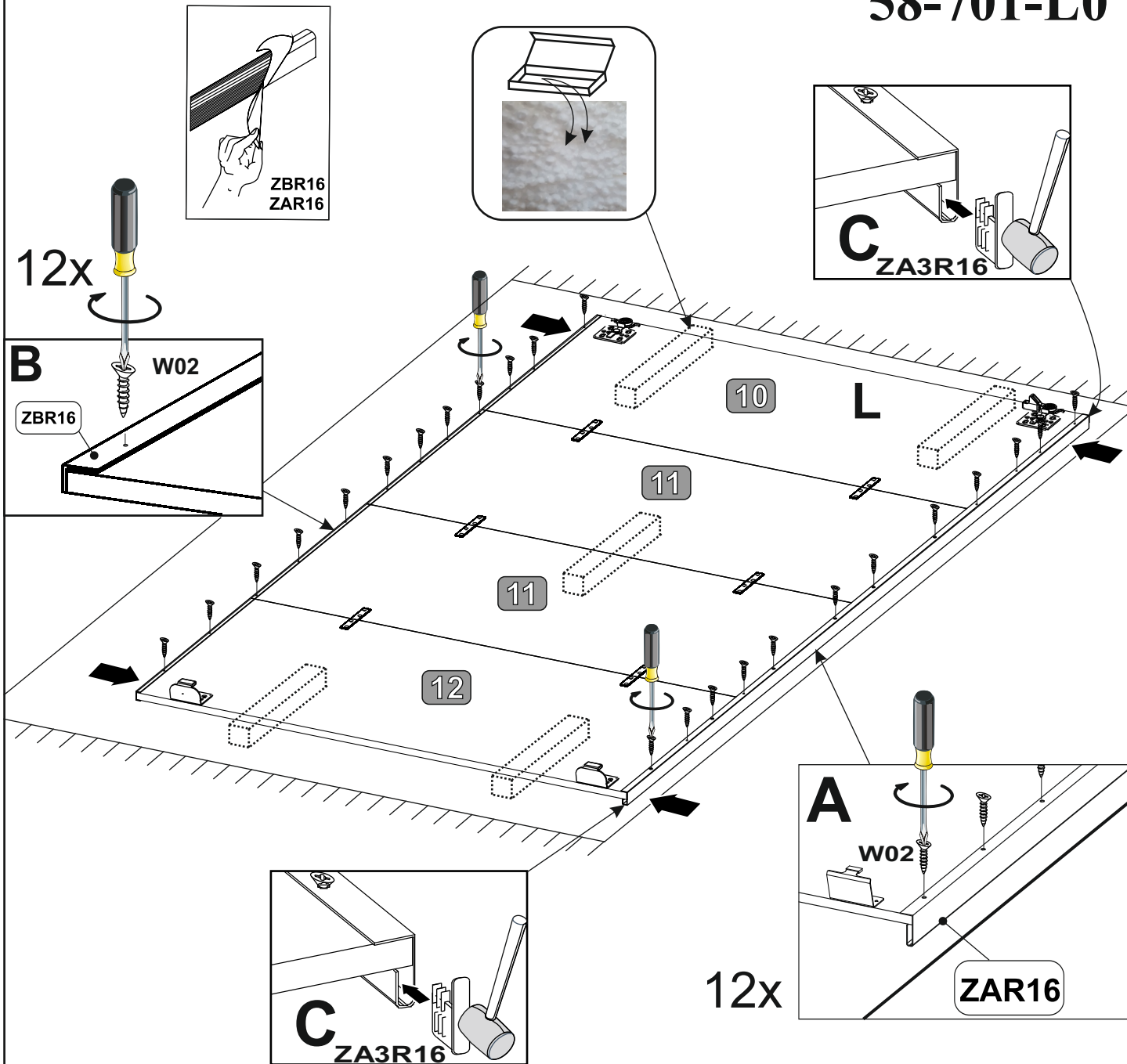


15

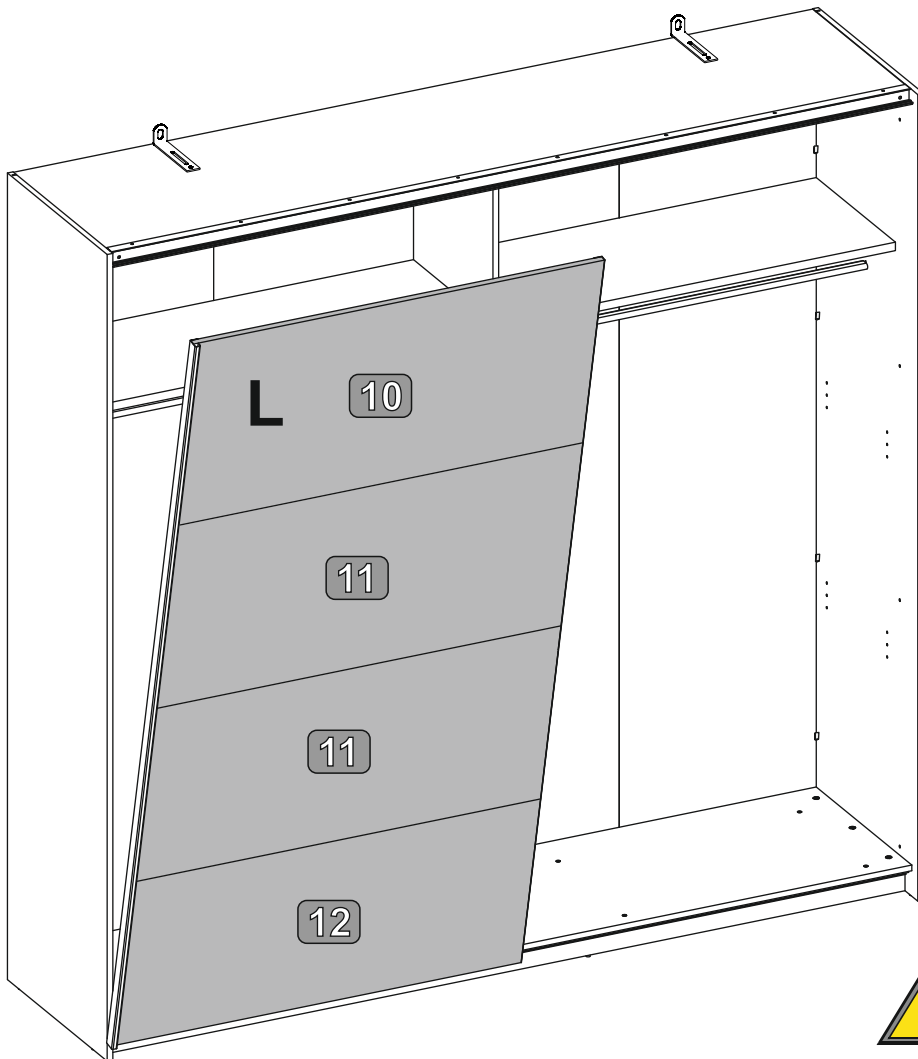
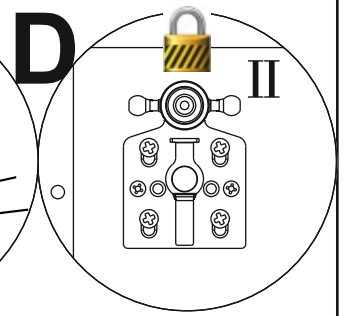
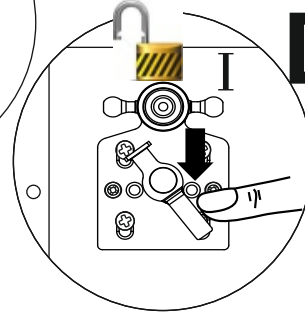
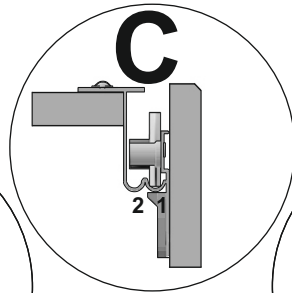
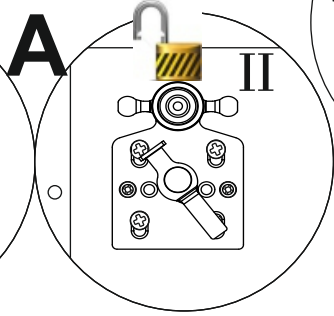
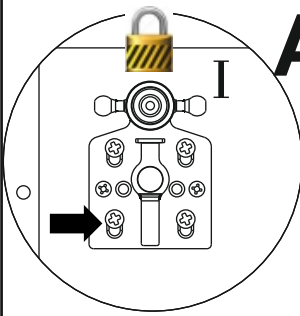
 2x ZA3R16	 1x ZBR16	 1x ZAR16	 24x W02
--	---	---	--



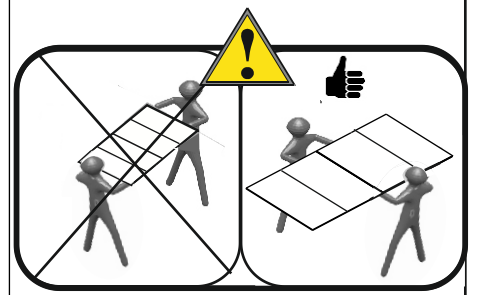
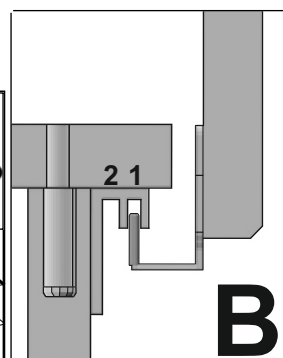
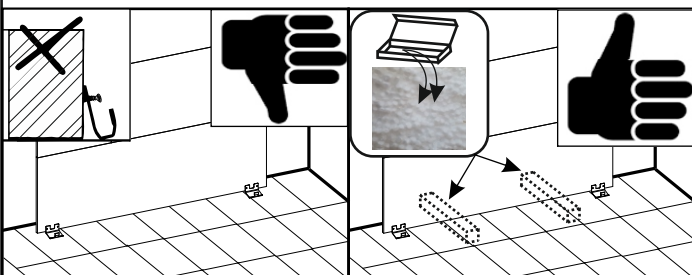
58-701-L0



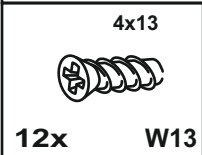
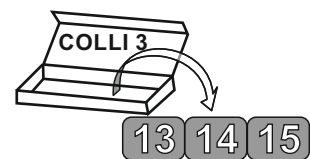
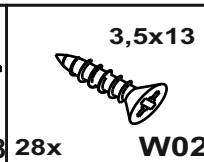
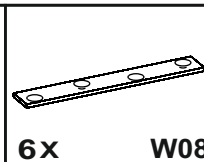
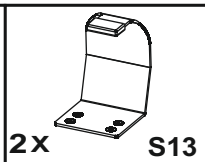
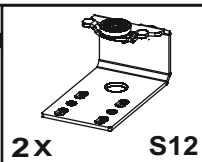
16



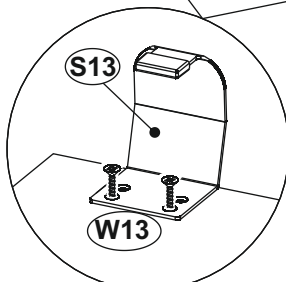
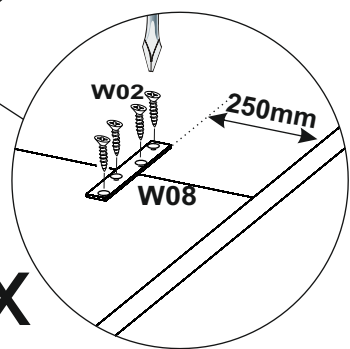
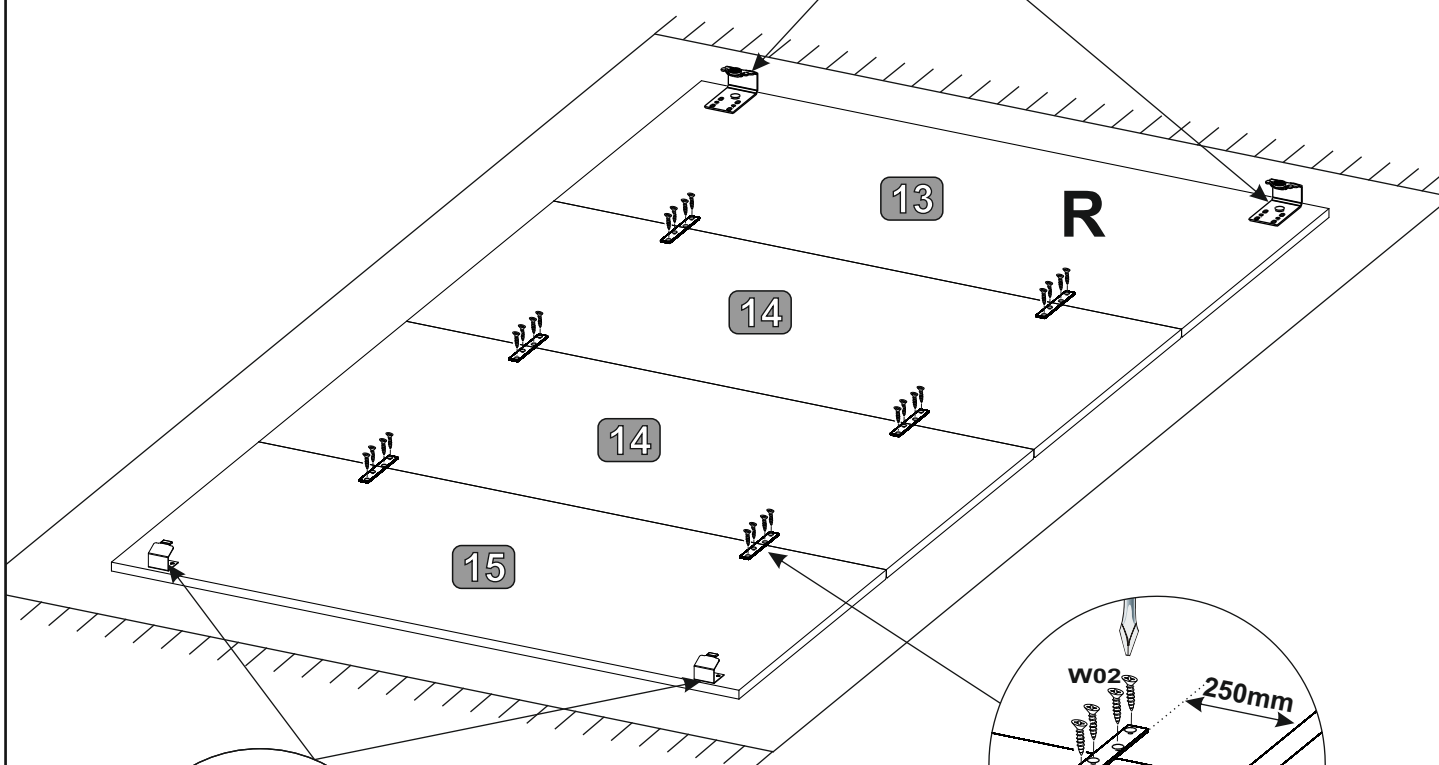
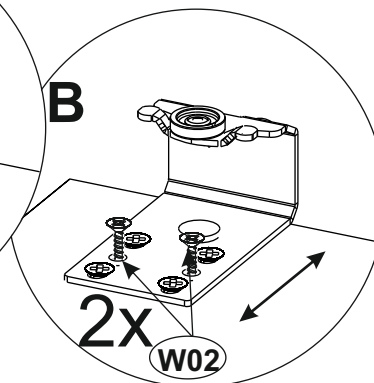
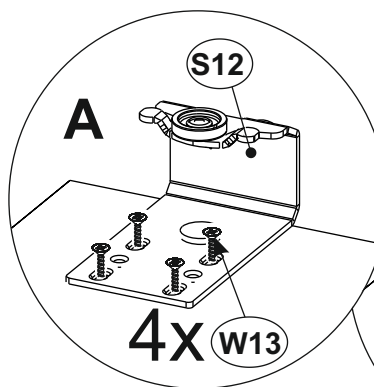
58-701-L0



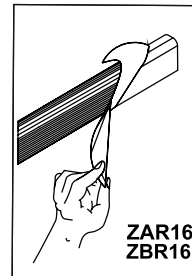
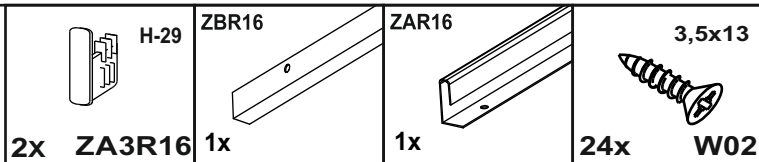
17



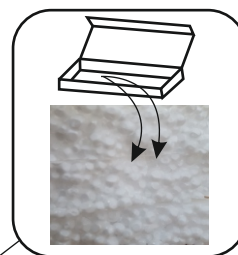
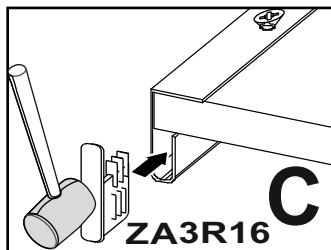
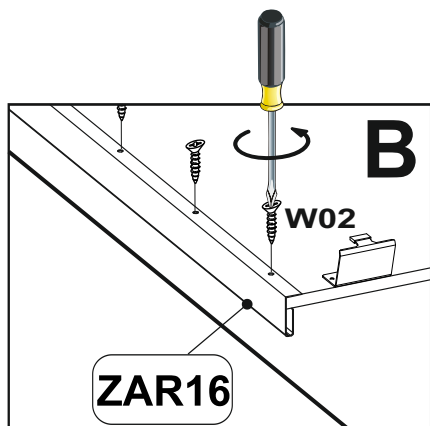
58-701-L0



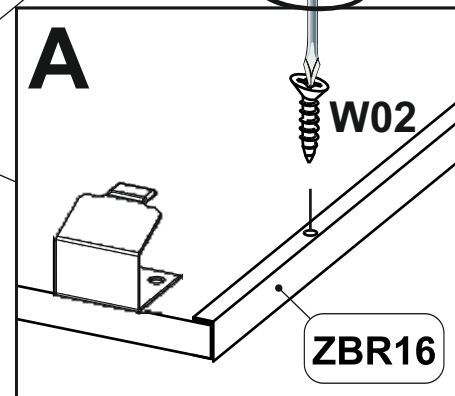
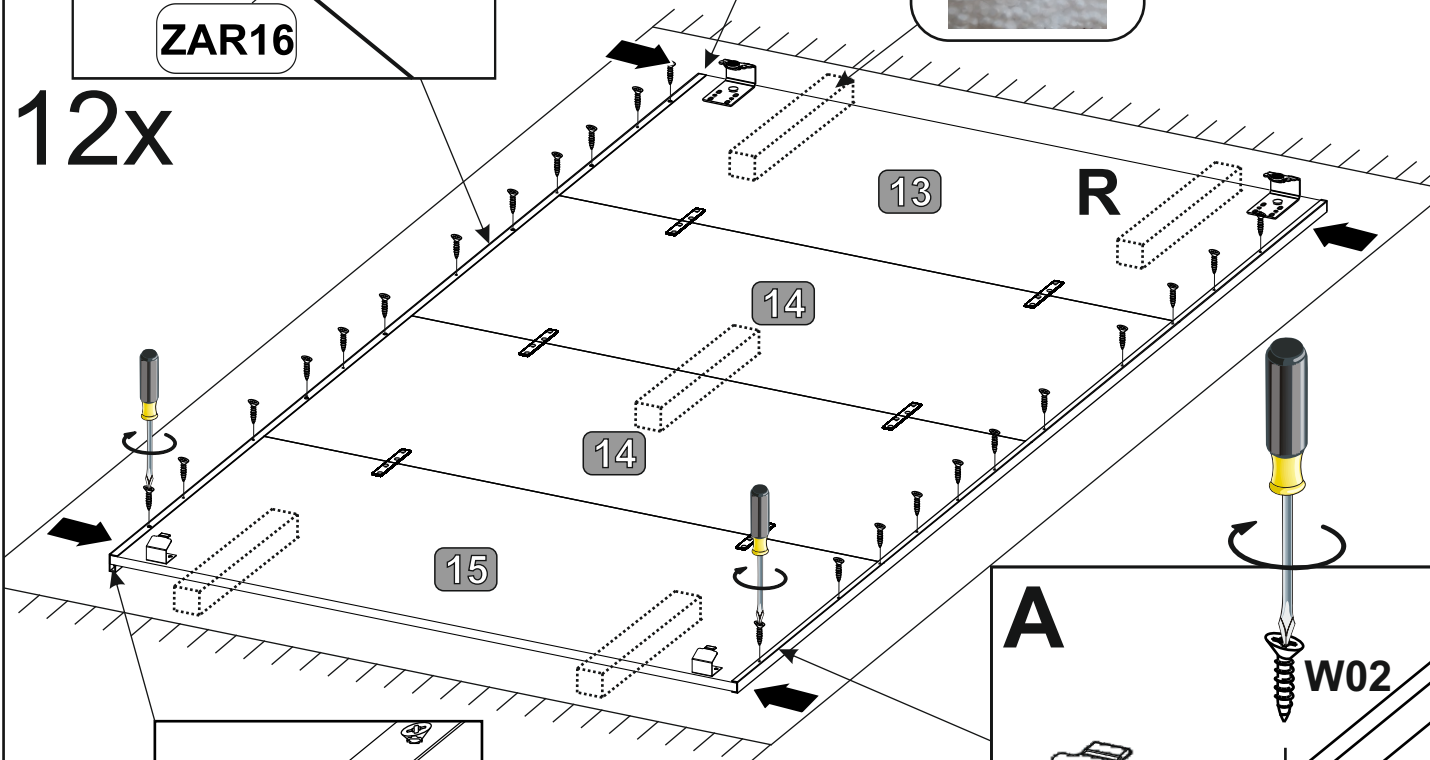
18



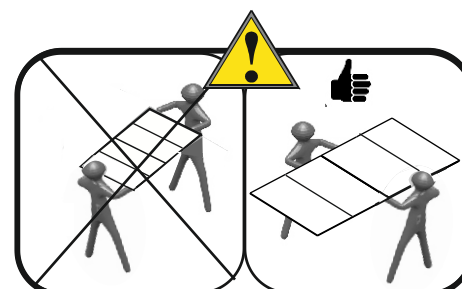
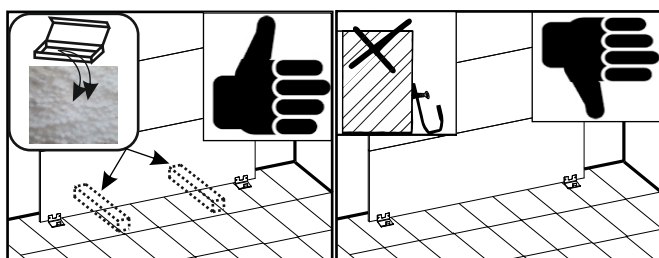
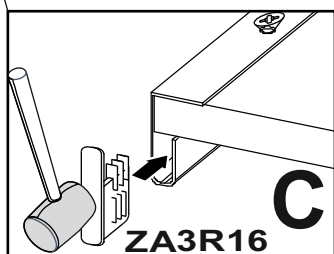
58-701-L0



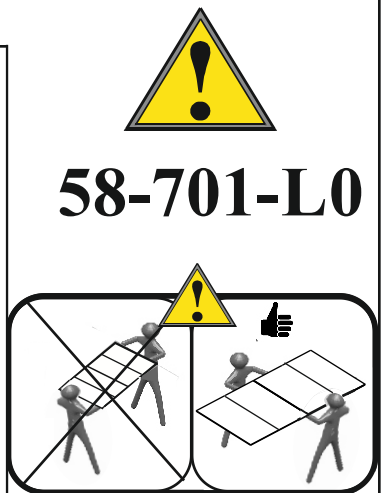
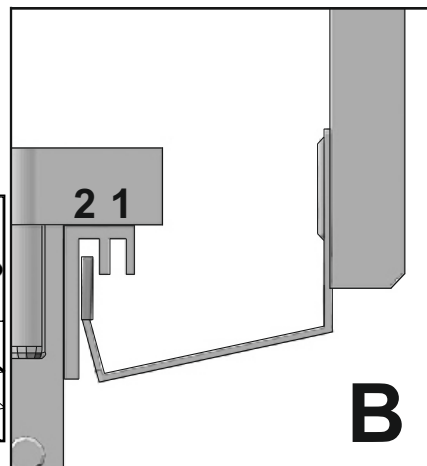
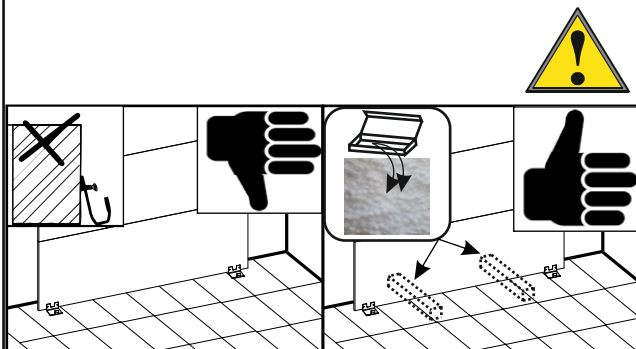
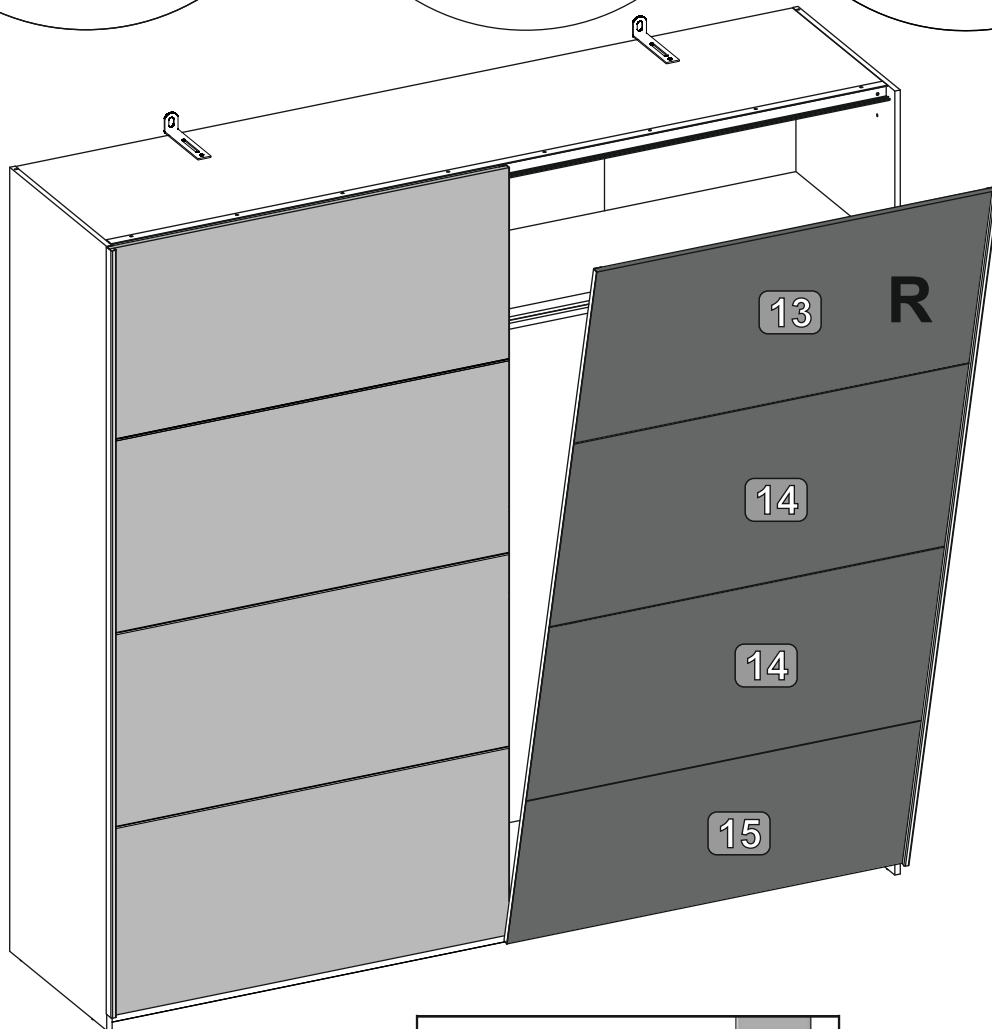
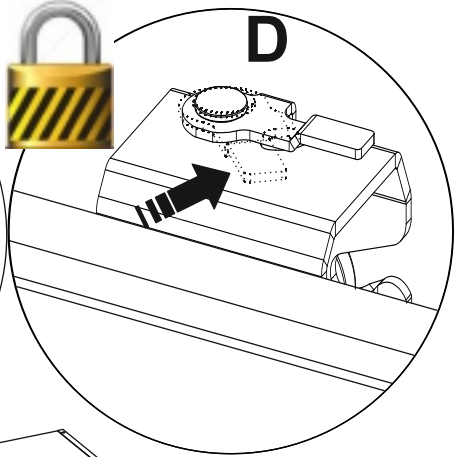
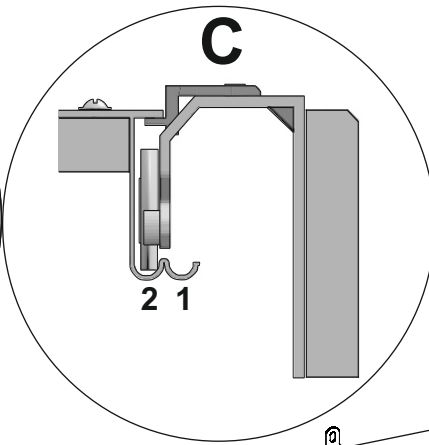
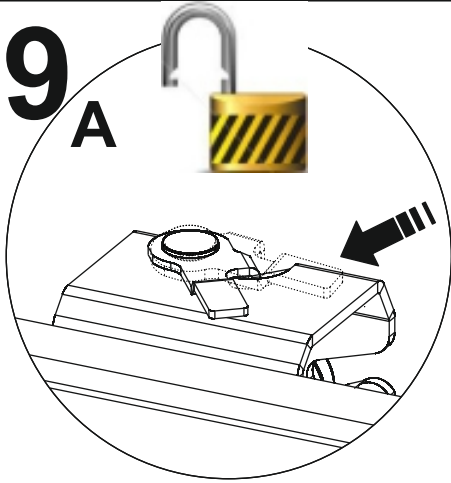
12x



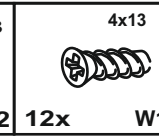
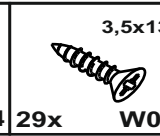
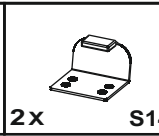
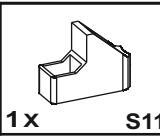
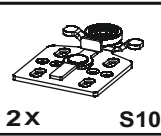
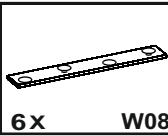
12x



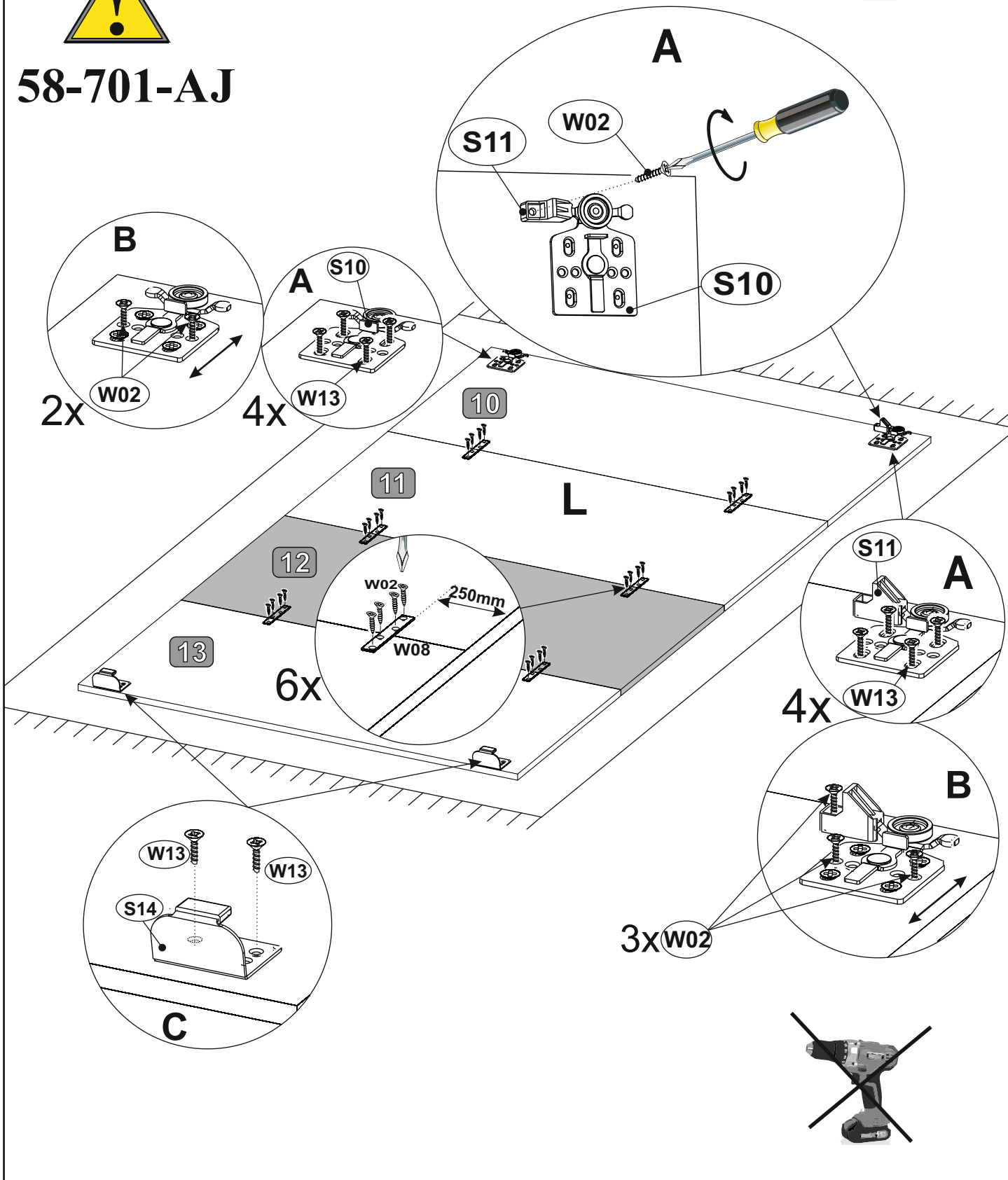
19



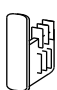
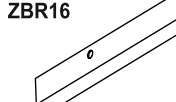
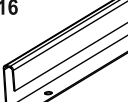

20



58-701-AJ

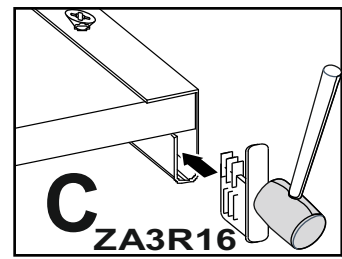
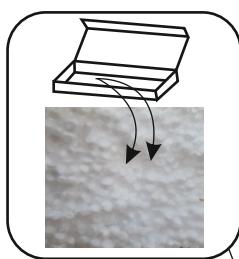
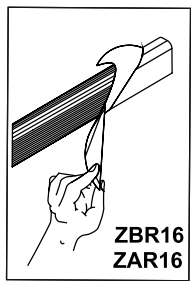


21

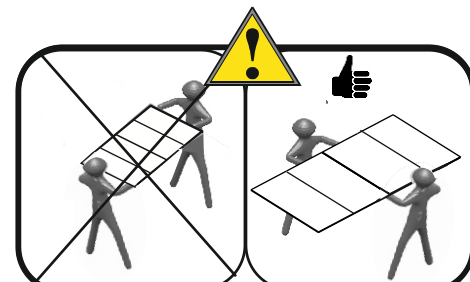
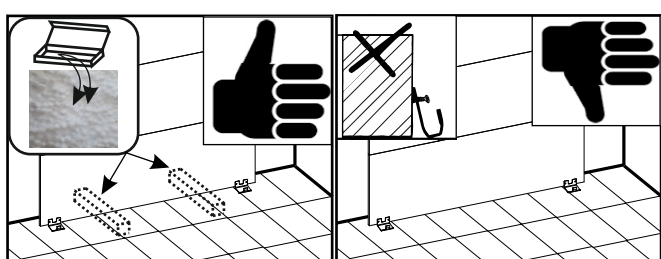
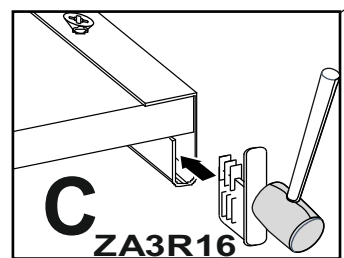
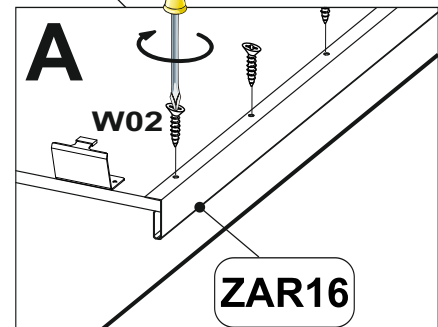
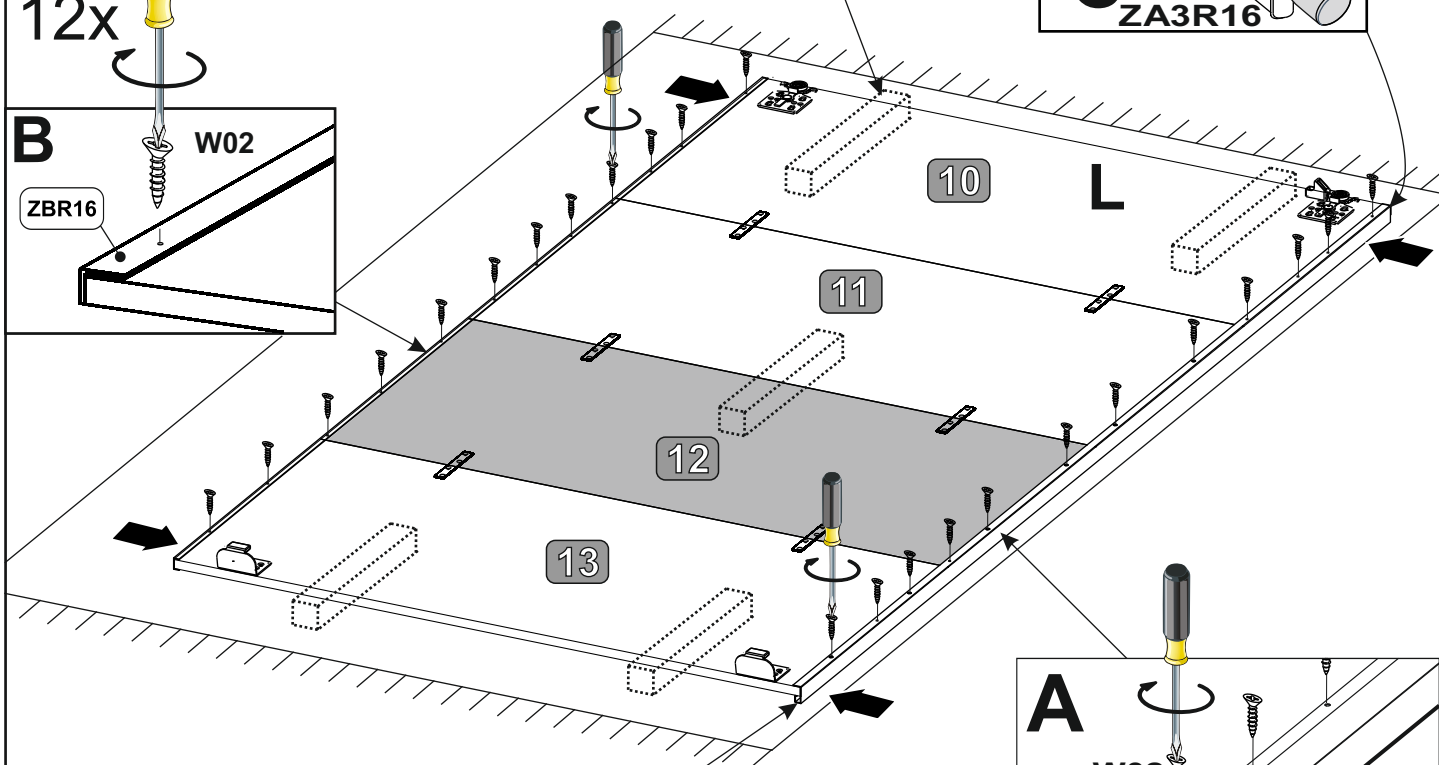
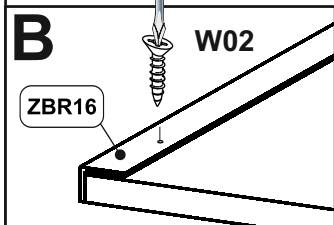
 2x ZA3R16	 1x ZBR16	 1x ZAR16	 24x W02
--	---	---	--



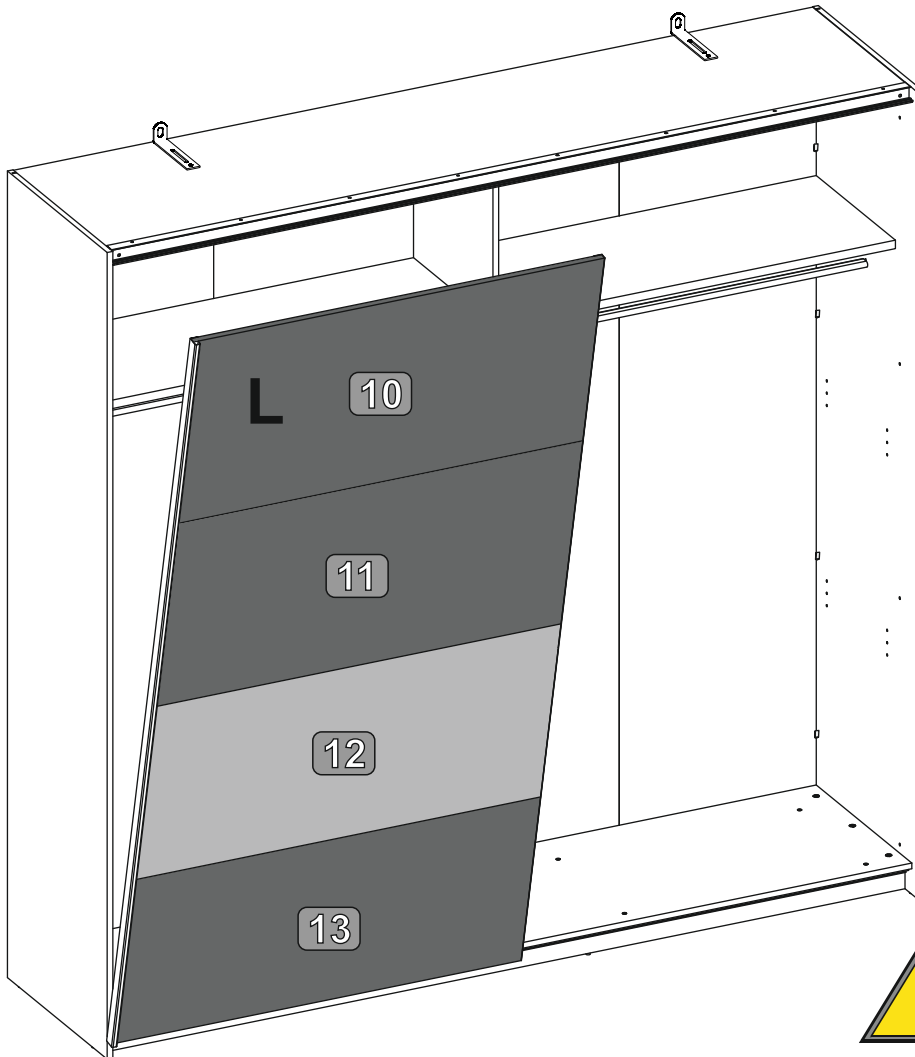
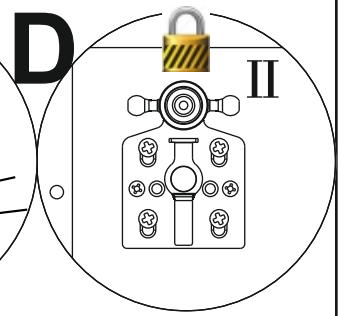
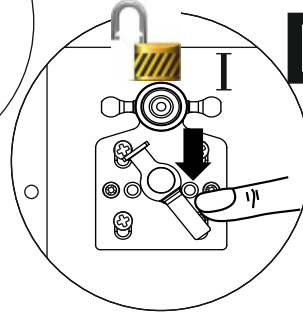
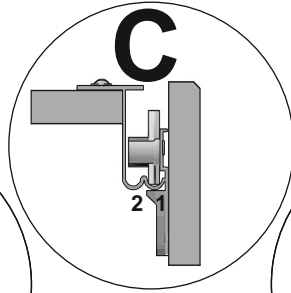
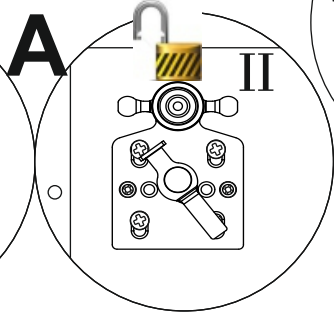
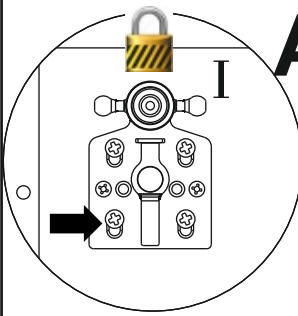
58-701-AJ



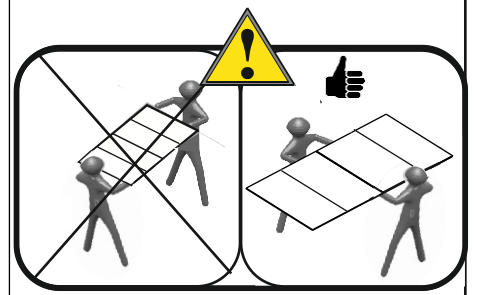
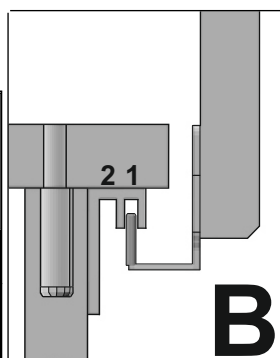
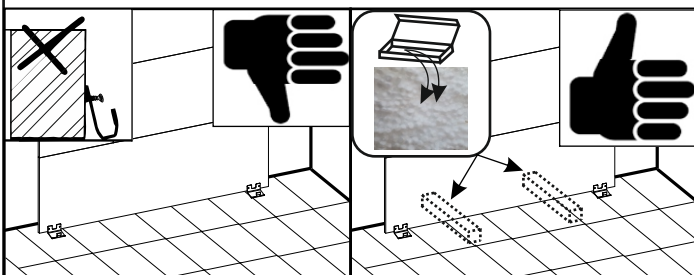
12x



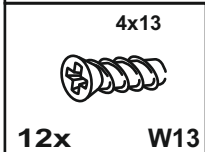
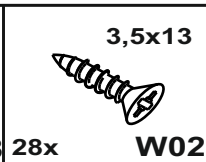
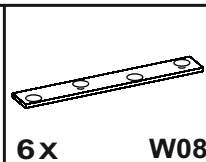
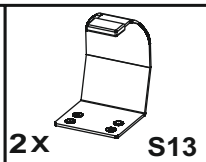
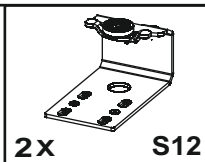
22



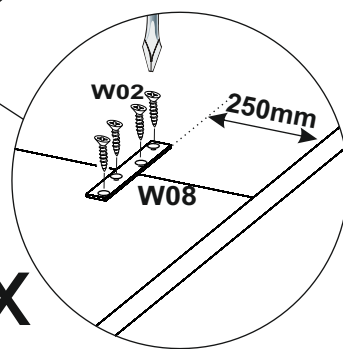
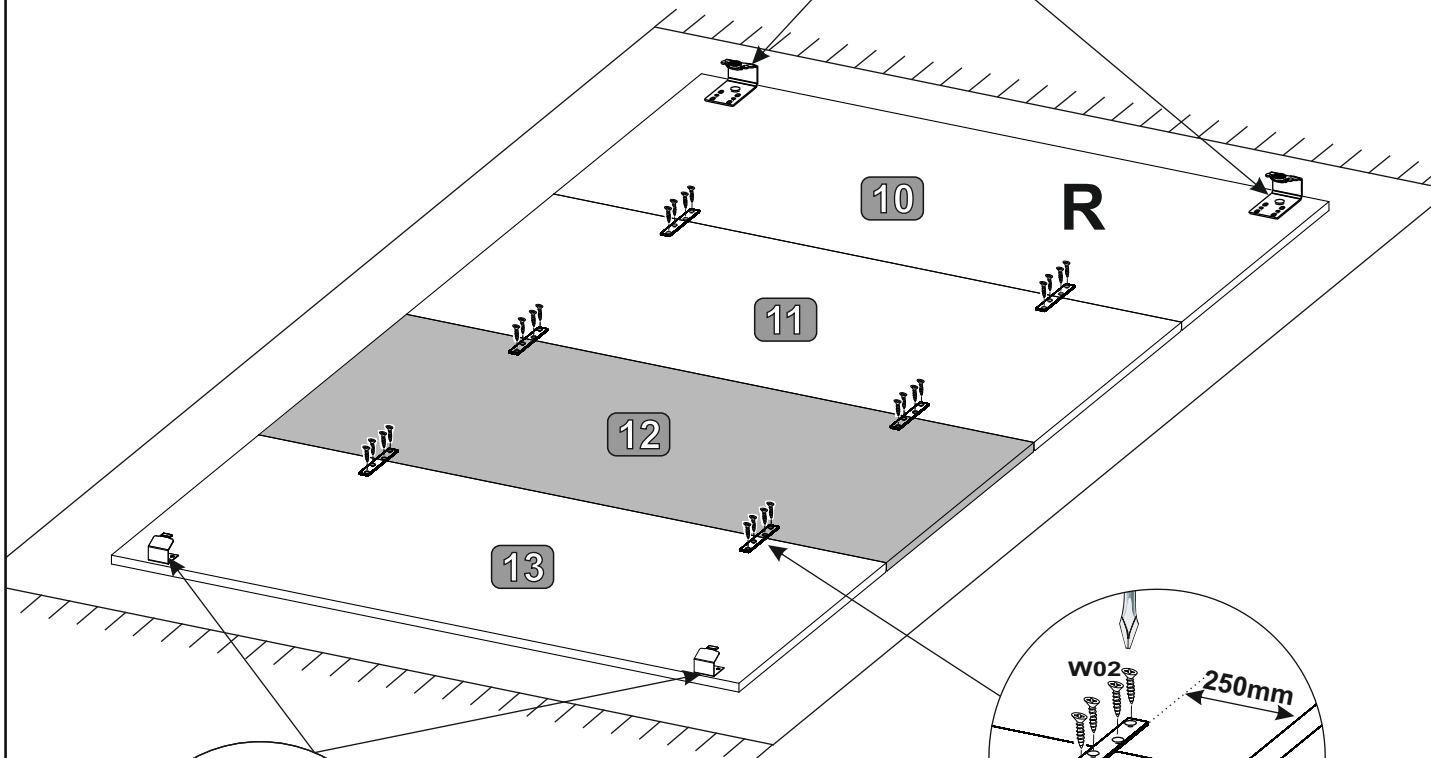
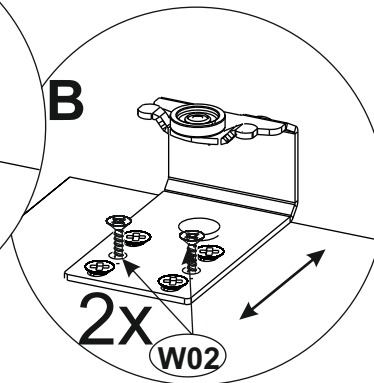
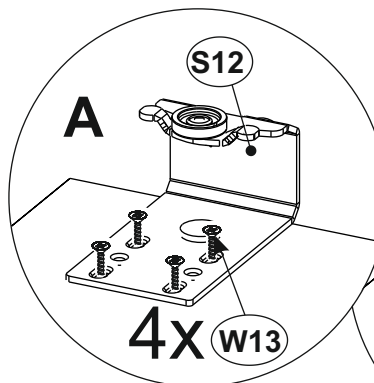
58-701-AJ



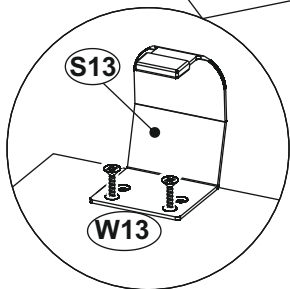
23



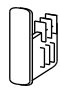
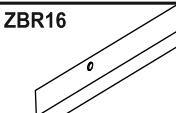
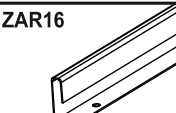
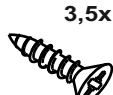
58-701-AJ

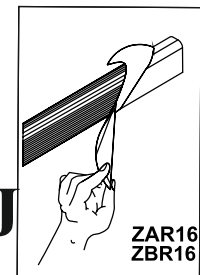


6x

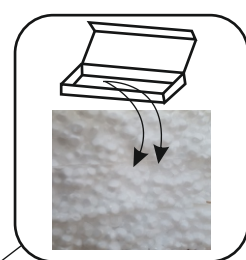
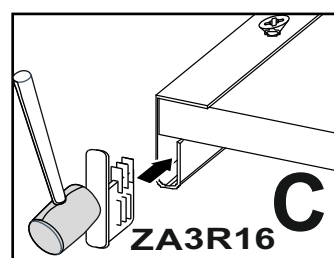
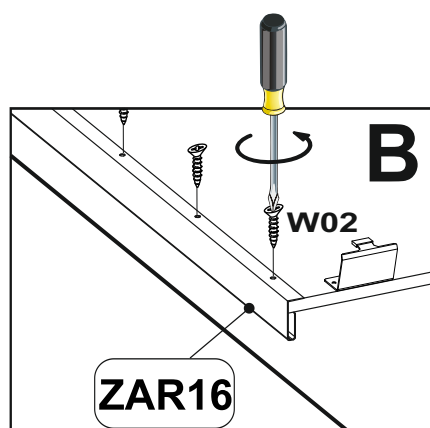


24

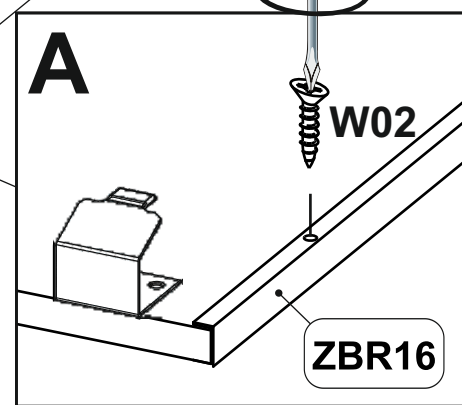
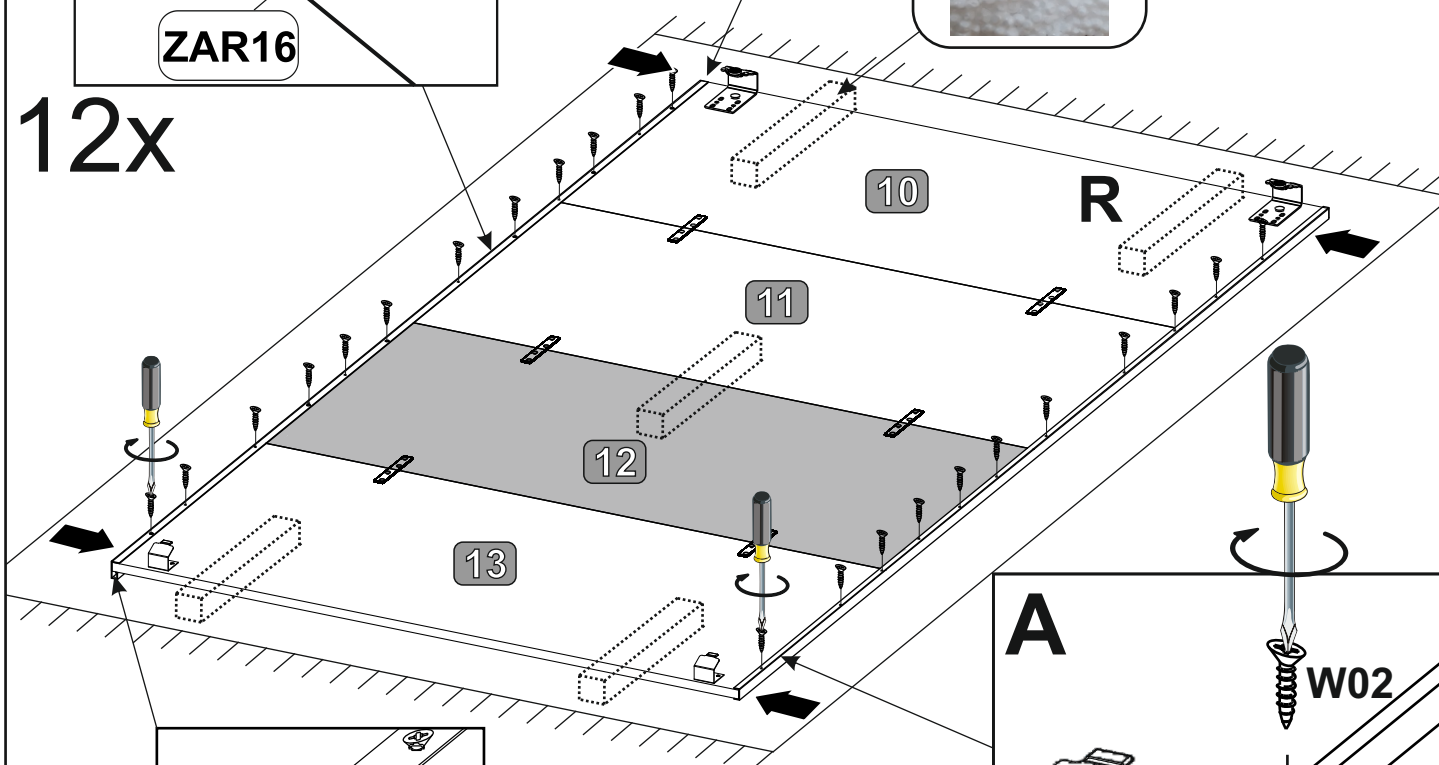
 2x ZA3R16	 1x ZBR16	 1x ZAR16	 24x W02
--	---	---	--



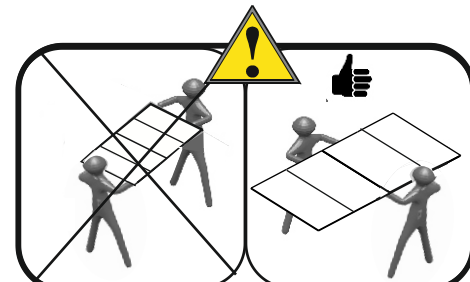
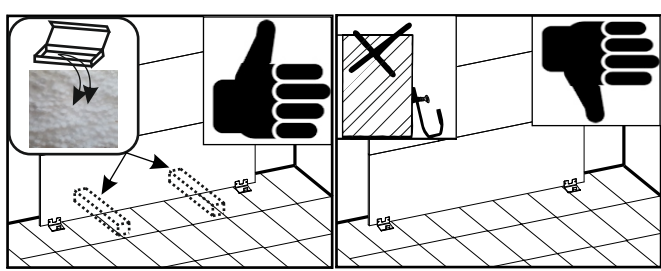
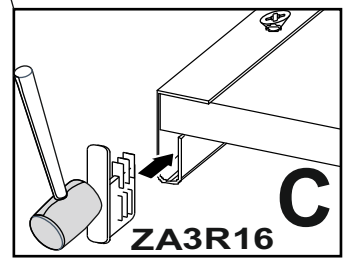
58-701-AJ



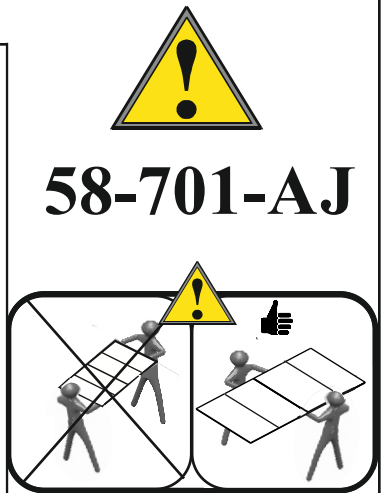
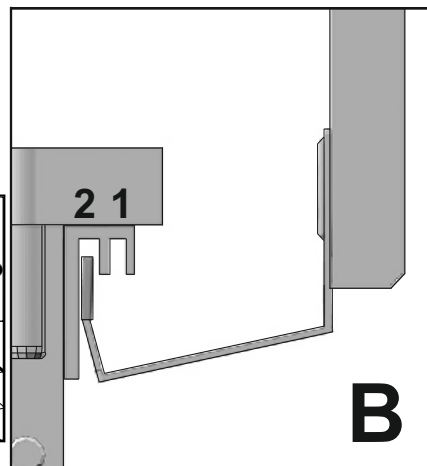
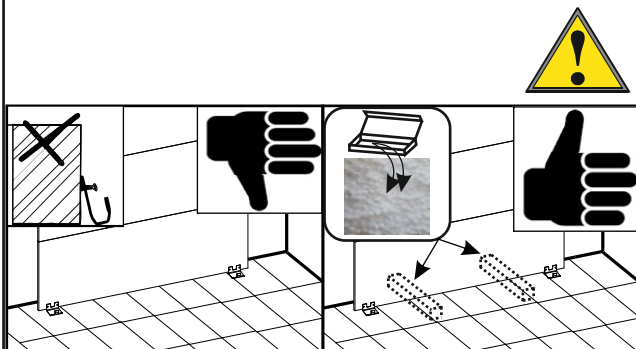
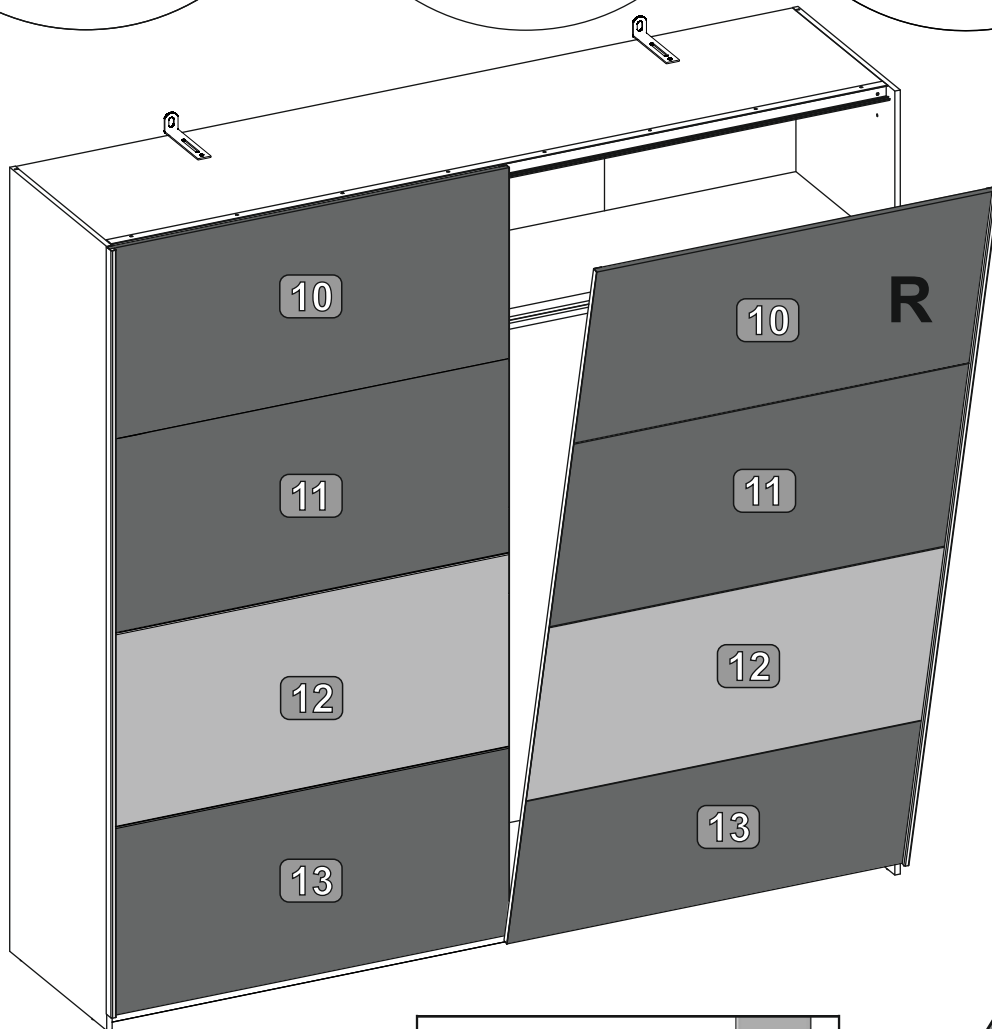
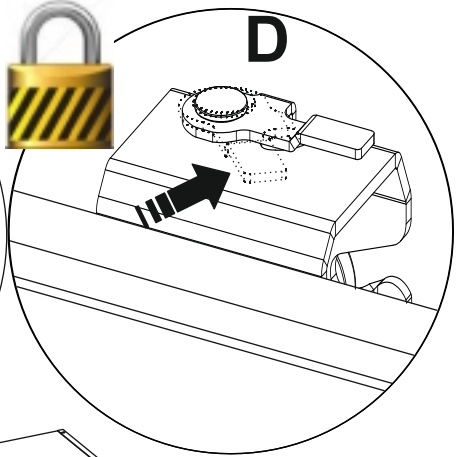
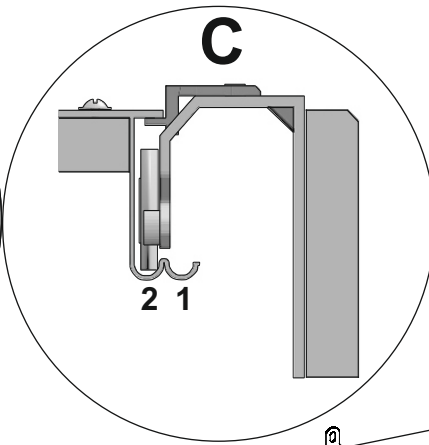
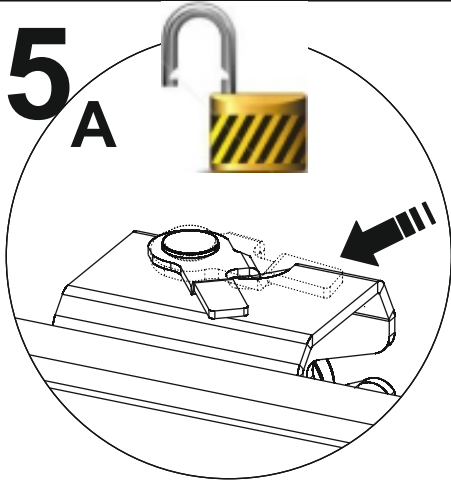
12x

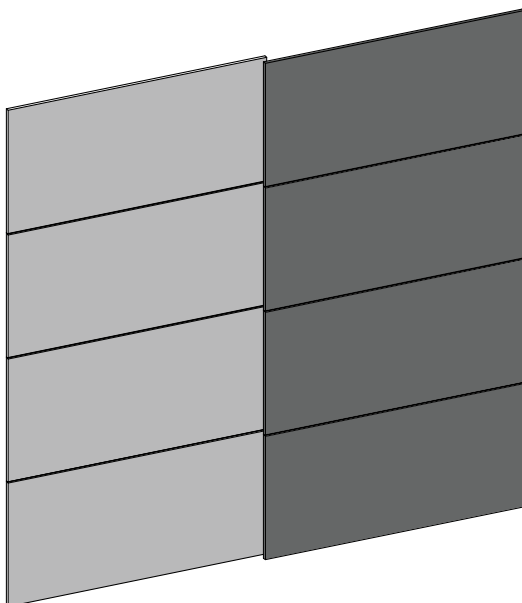
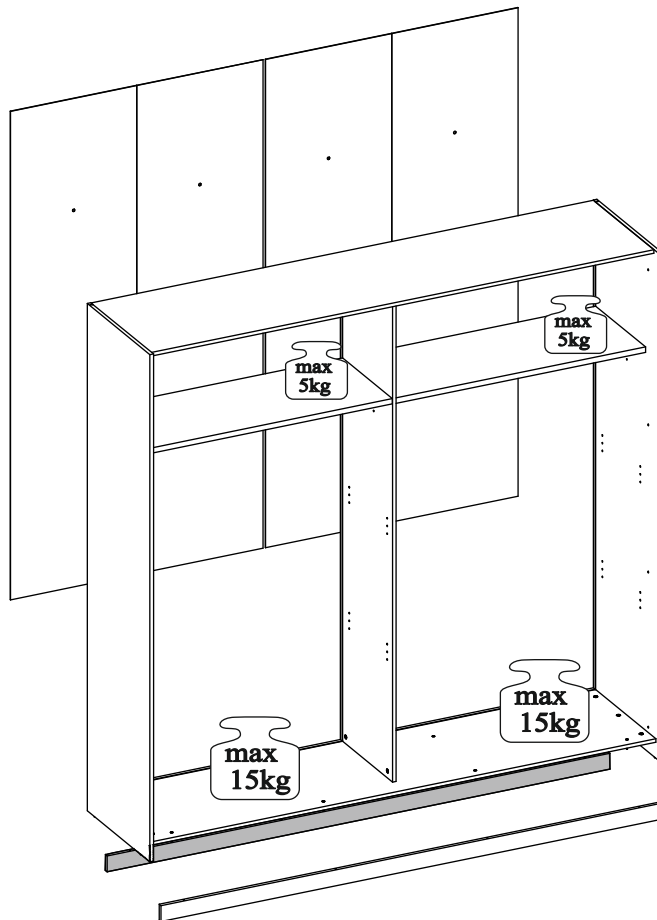


12x

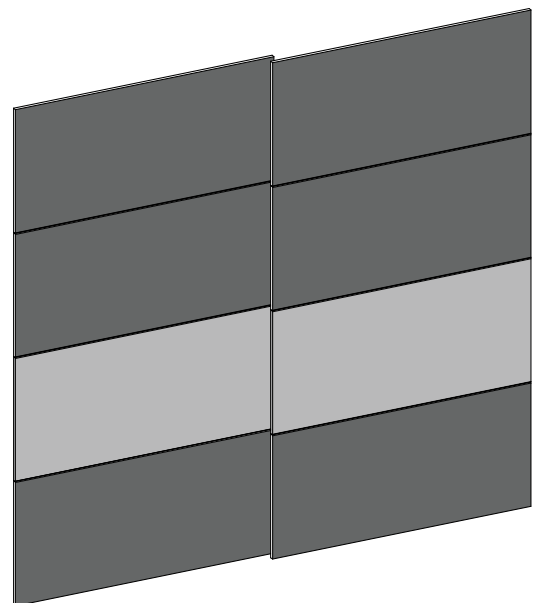


25





58-701-L0-2



58-701-AJ