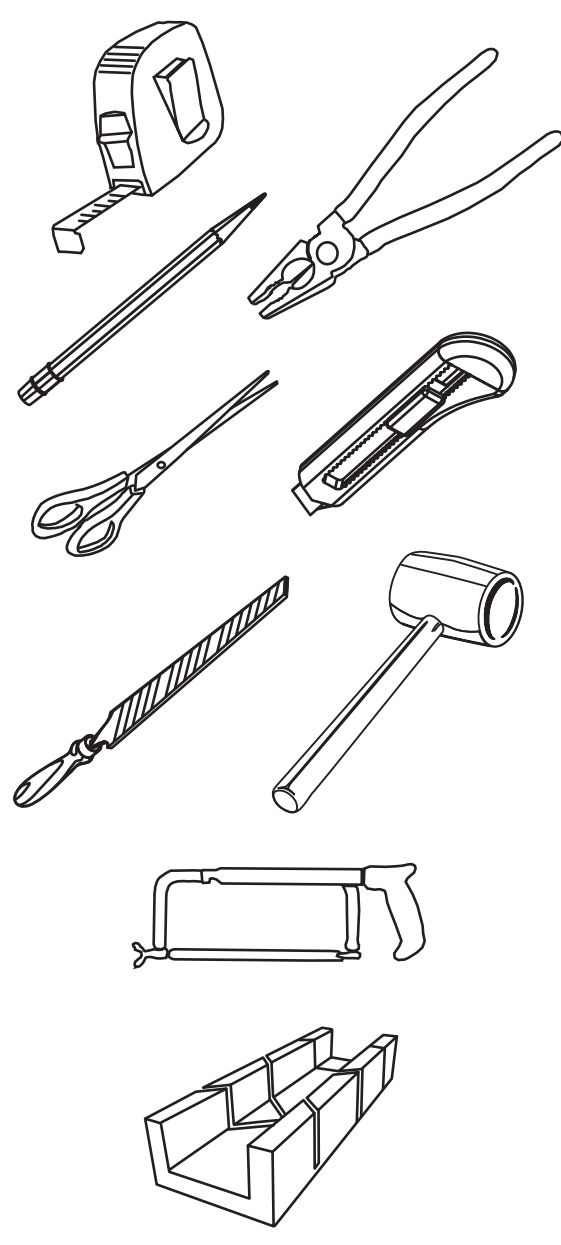
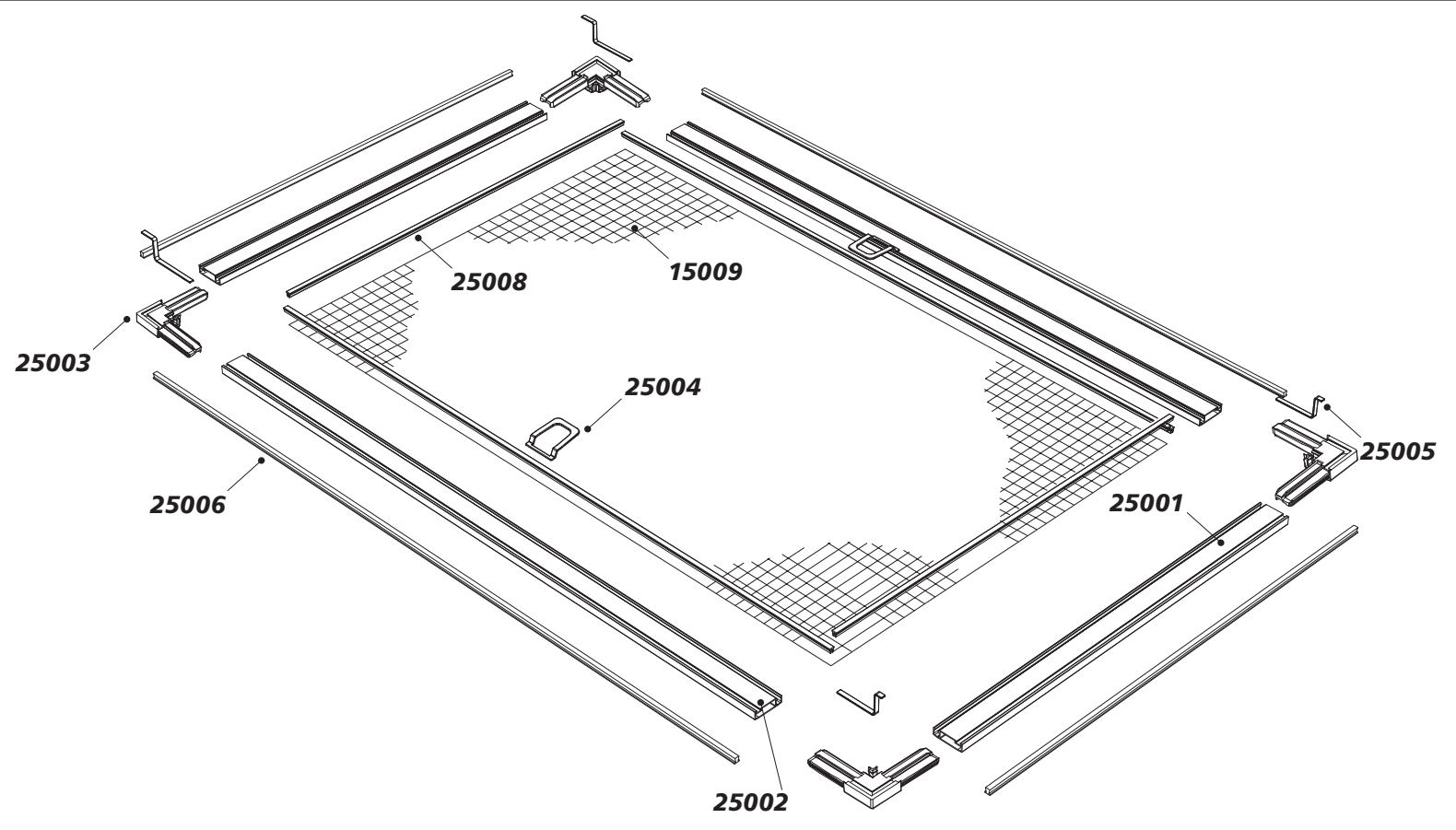
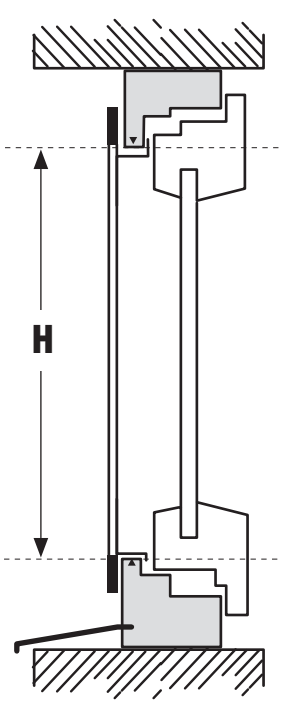
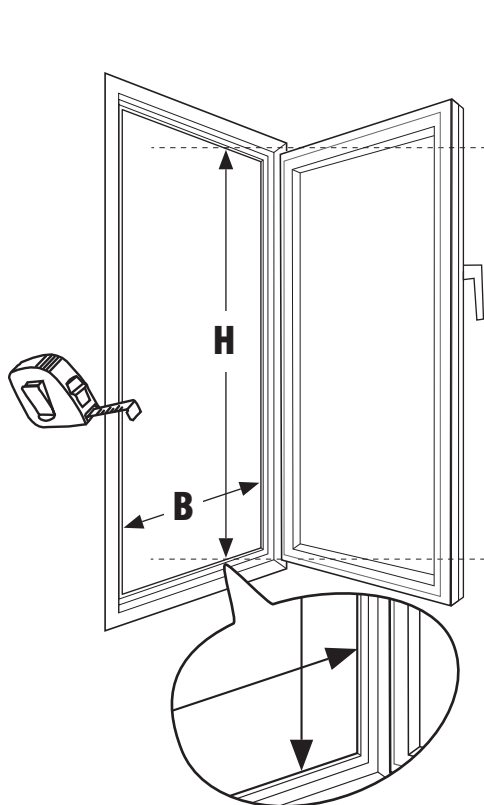




1

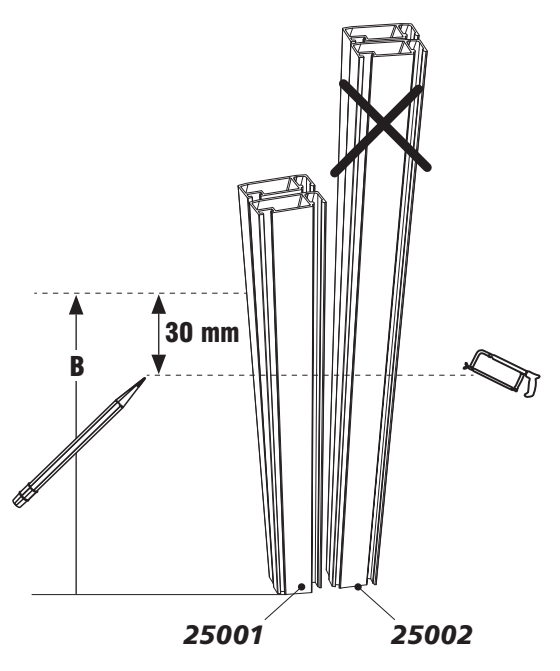


2



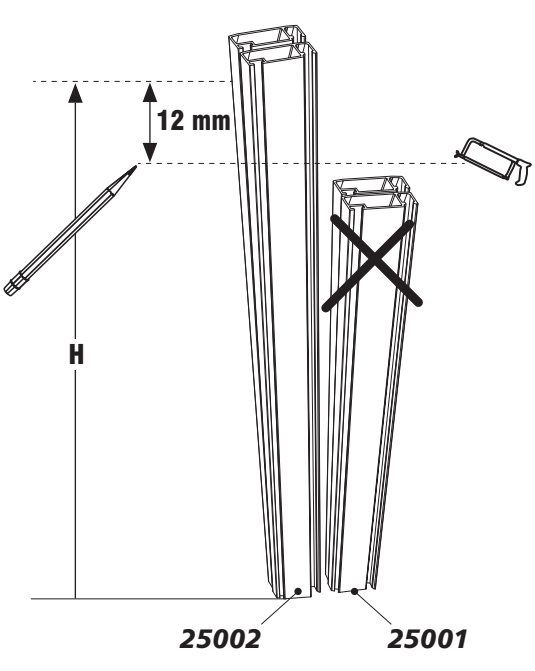
3

$B - 30 \text{ mm} =$



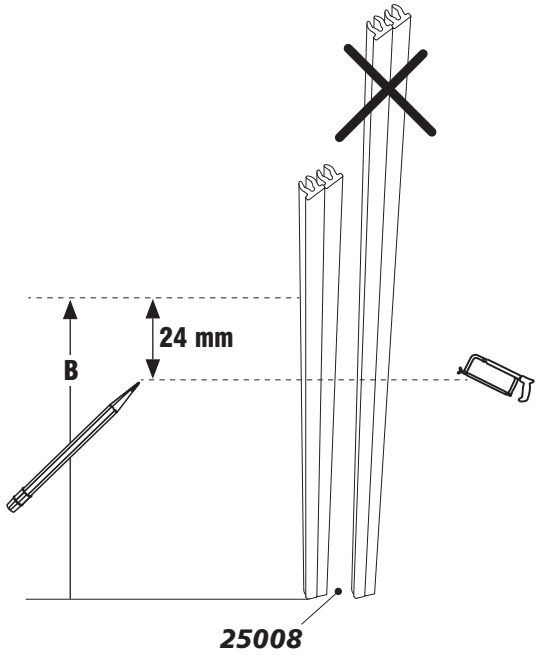
4

$H - 12 \text{ mm} =$



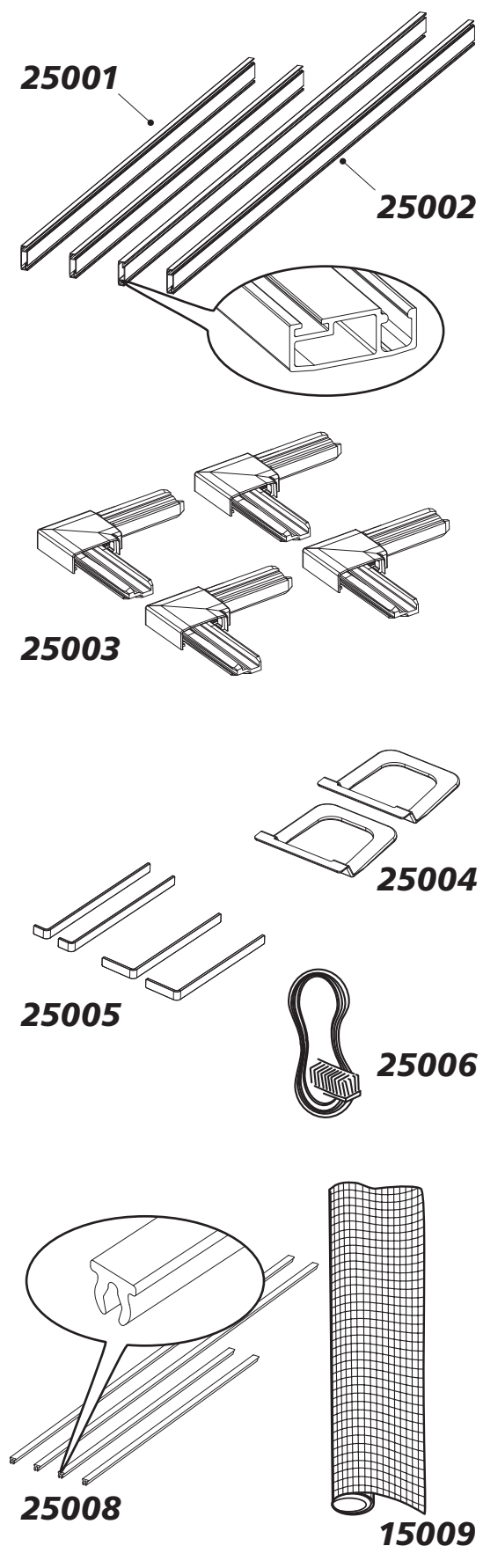
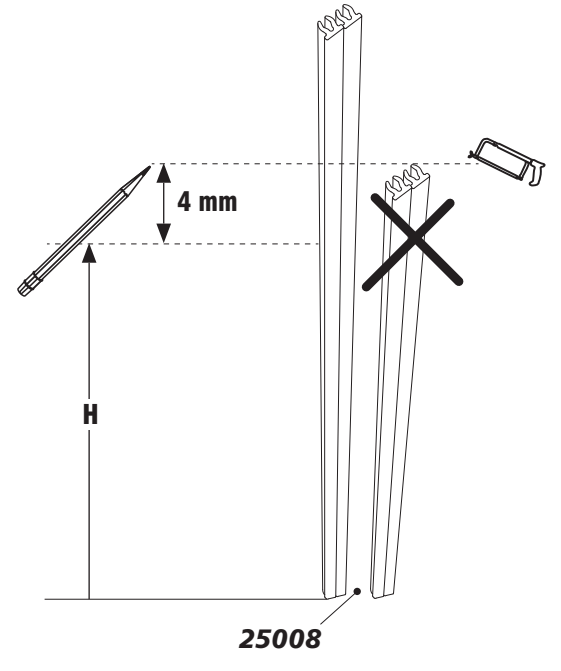
5

$B - 24 \text{ mm} =$

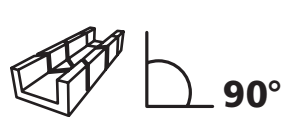
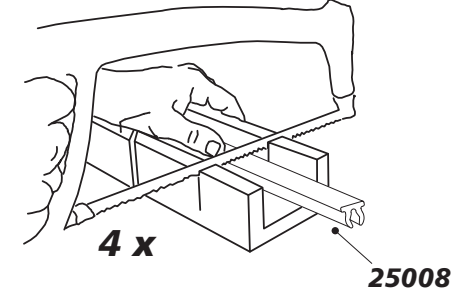
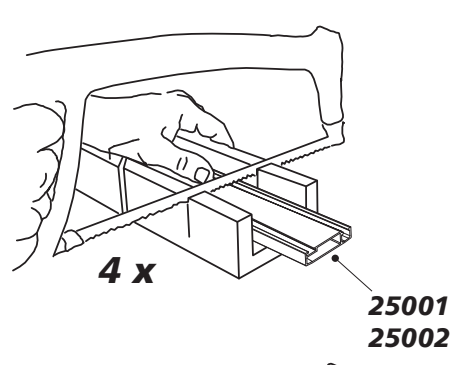


6

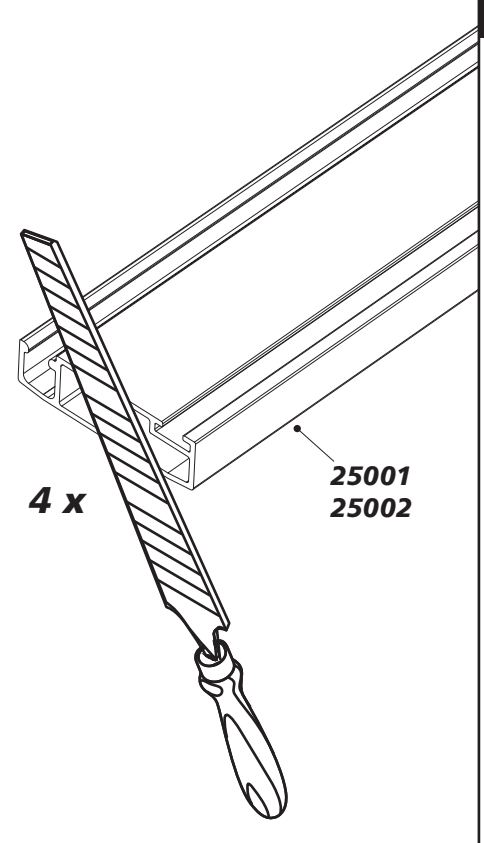
$H + 4 \text{ mm} =$



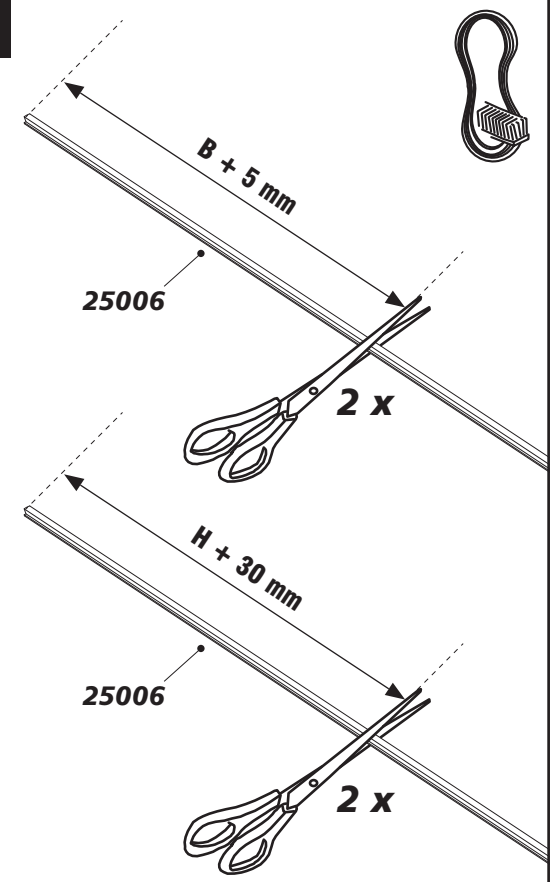
7



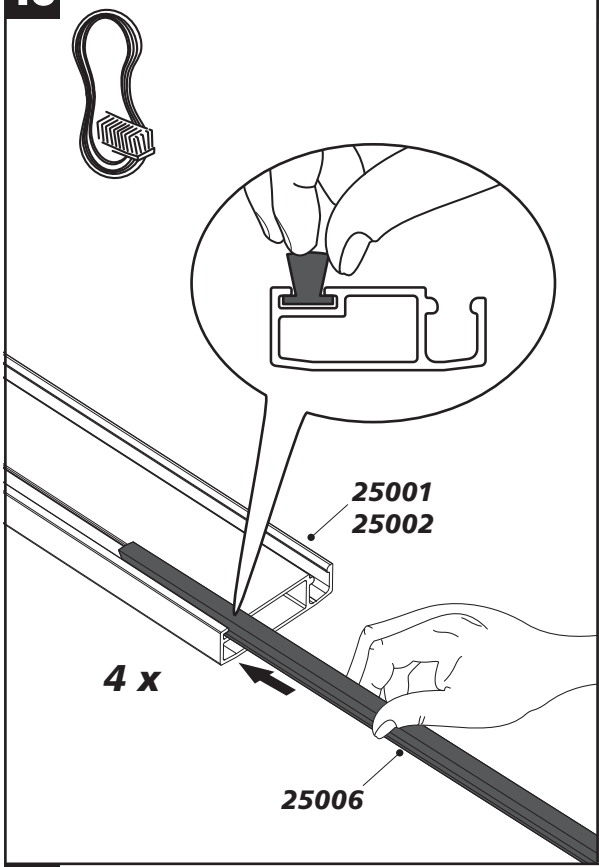
8



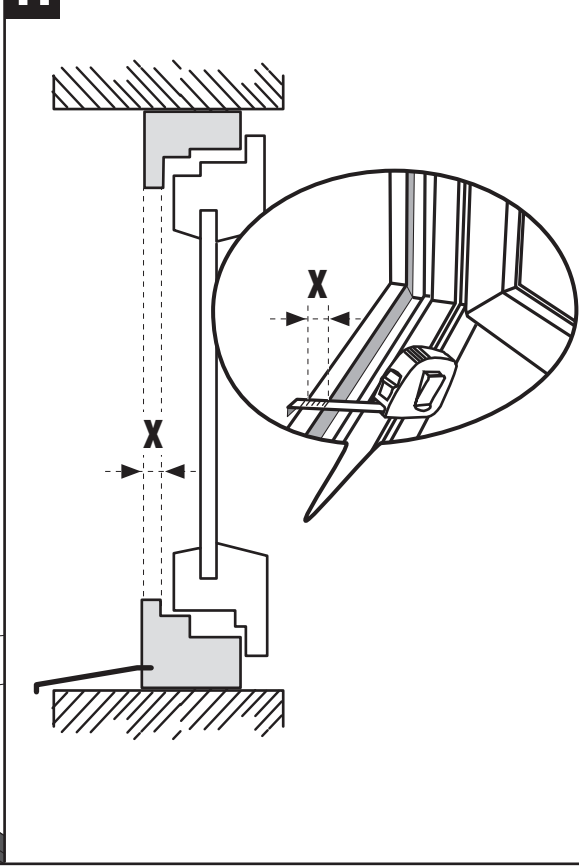
9



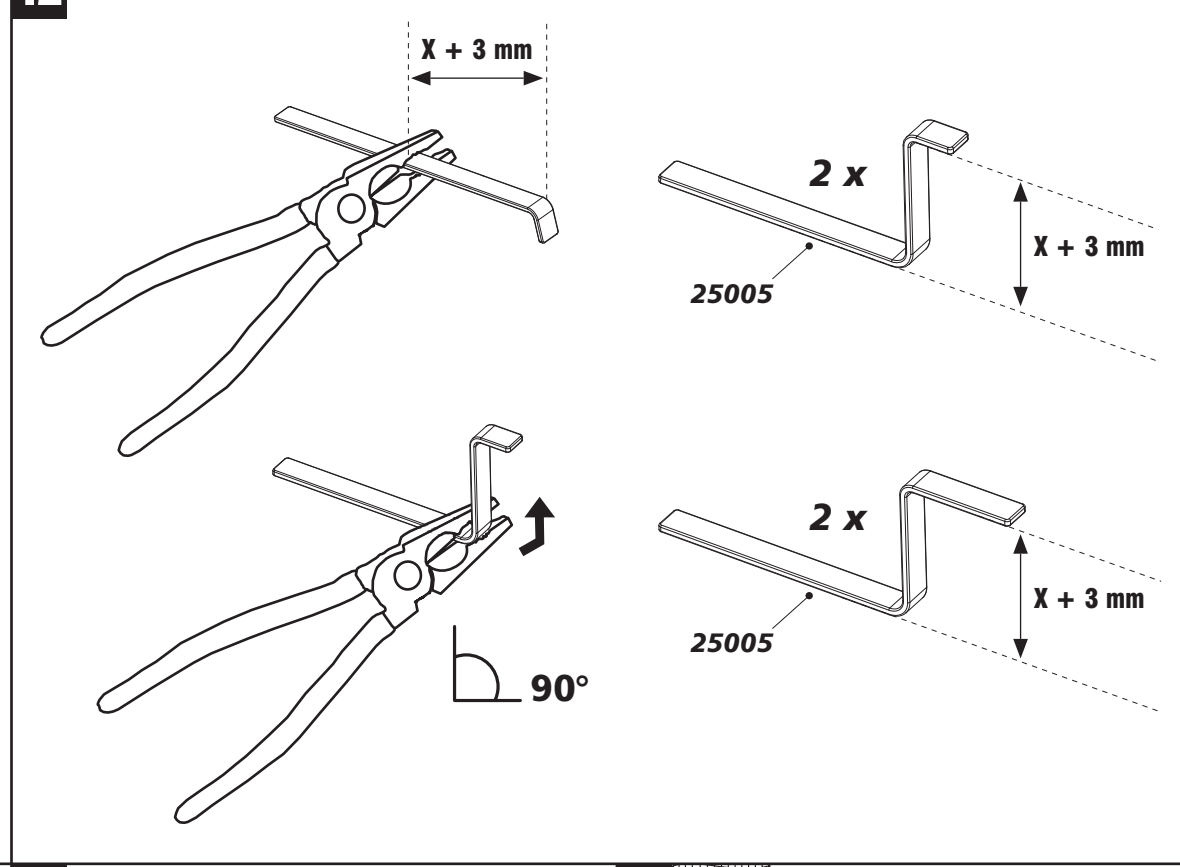
10



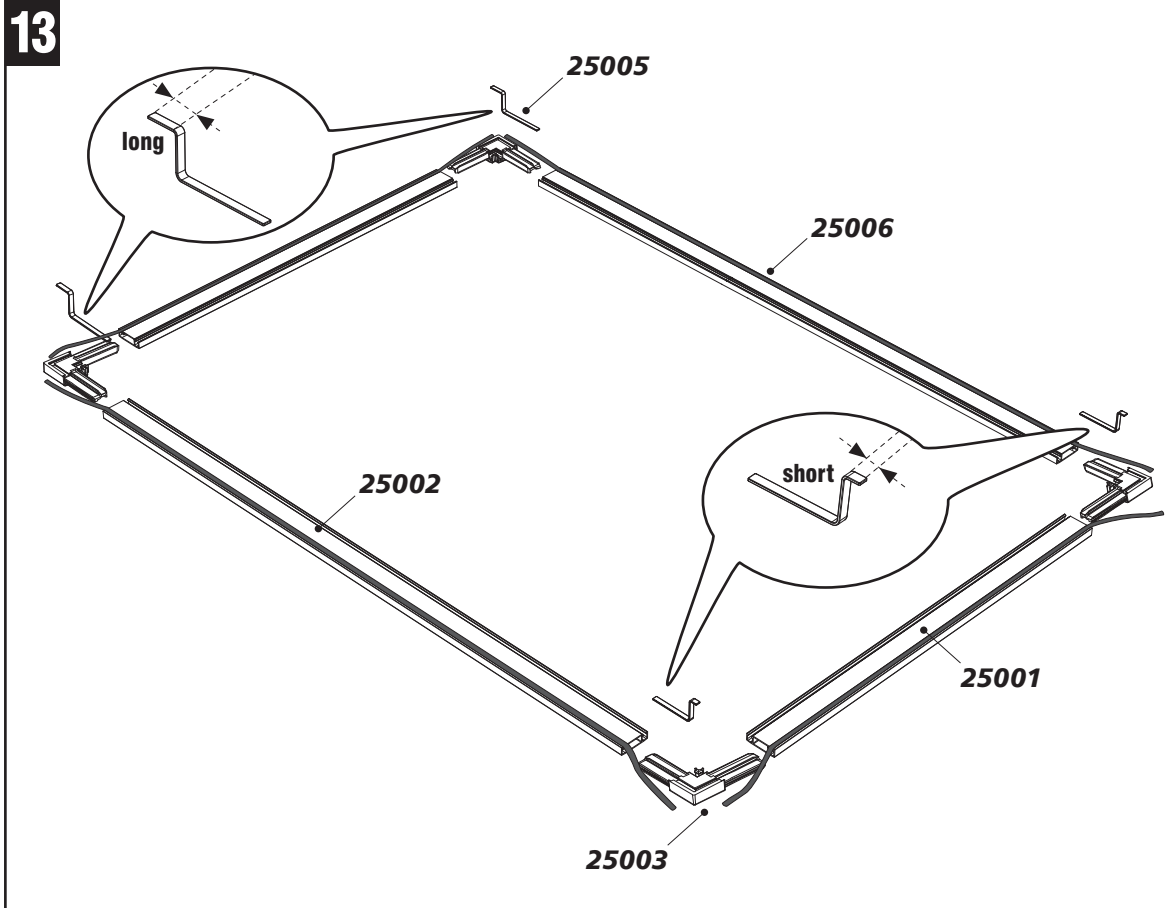
11



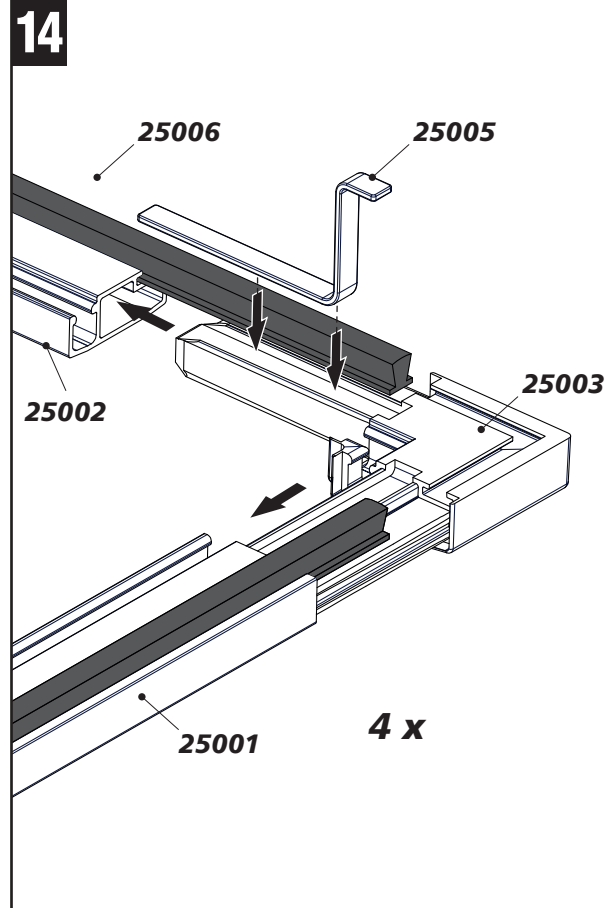
12



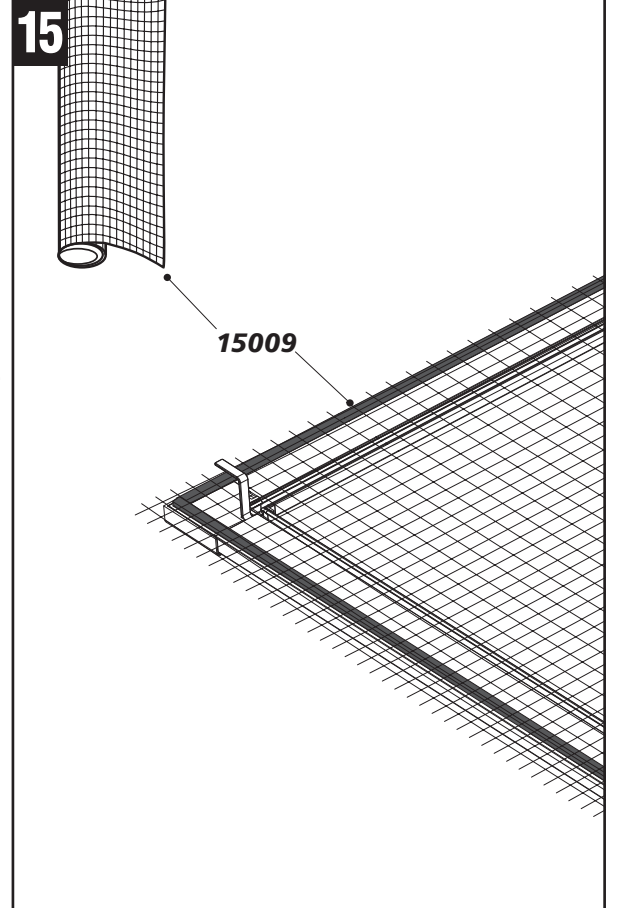
13



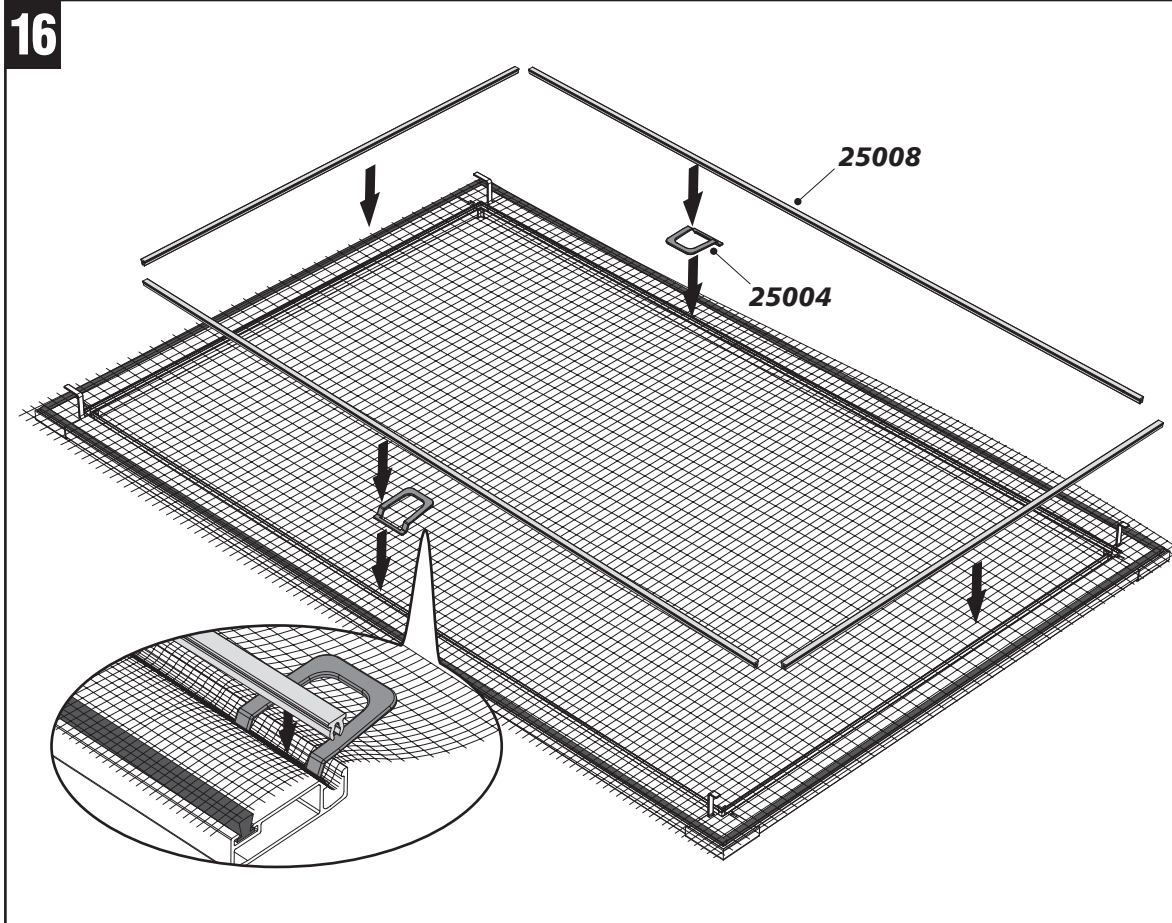
14



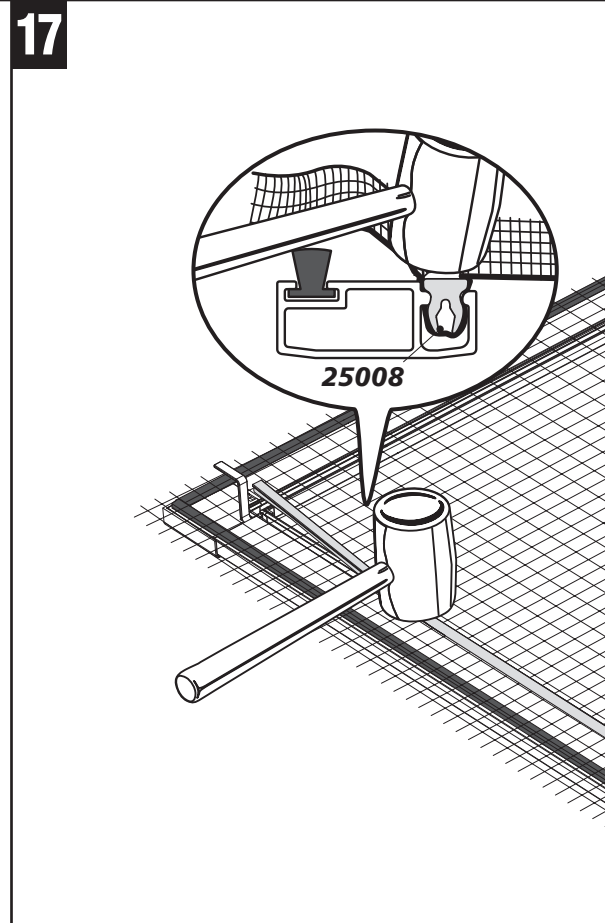
15



16



17



18

