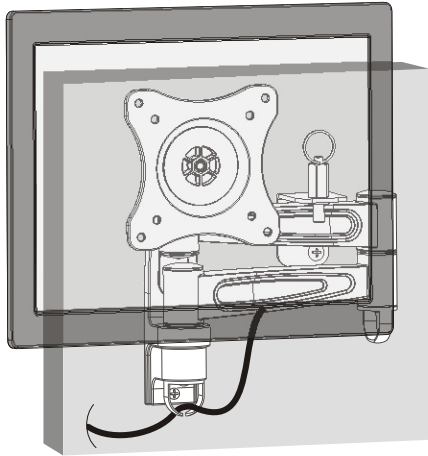
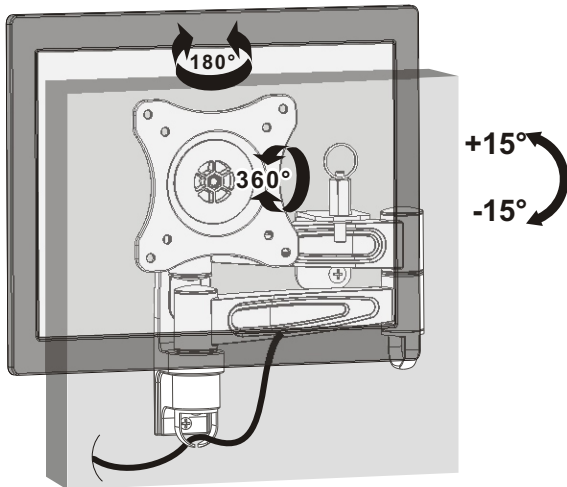


5. Cable Management



Connect cables to your TV and route through the cable clips.
Note: Leave slack in the cables for cantilever arm movement.

6. Adjustment

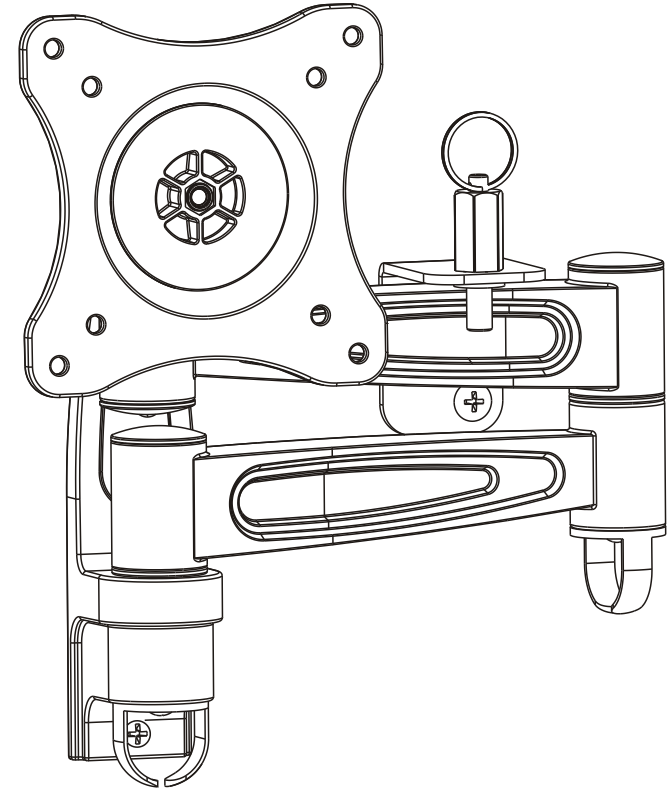


Adjust to the desired location or tilt.

Maintenance

- Check that the bracket is secure and safe to use at regular intervals(at least every three months).
- Please contact your distributor if you have any questions.

LCD Wall Mount



CAUTION: DO NOT EXCEED RATED LISTED WEIGHT. SERIOUS INJURY OR PROPERTY DAMAGE MAY OCCUR!

LCD-141L



75x75
100x100



ISSUED: JUL. 2013

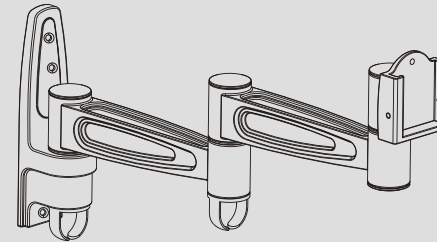
NOTE: Read the entire instruction manual before you start installation and assembly.

WARNING

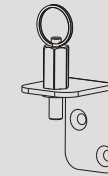
- Do not begin the installation until you have read and understood all the instructions and warnings contained in this installation sheet. If you have any questions regarding any of the instructions or warnings, please contact your local distributor.
- This mounting bracket was designed to be installed and utilised **ONLY** as specified in this manual. Improper installation of this product may cause damage or serious injury.
- This product should only be installed by someone with good mechanical ability who has basic building experience and fully understands this manual.
- Make sure that the supporting surface will safely support the combined weight of the equipment and all attached hardware and components.
- Always use an assistant or mechanical lifting equipment to safely lift and position the equipment.
- Tighten screws firmly, but do not over tighten. Over tightening can cause damage to the items, This greatly reduces their holding power.
- This product is intended for indoor use only. Using this product outdoors could lead to product failure and personal injury.

Component Checklist

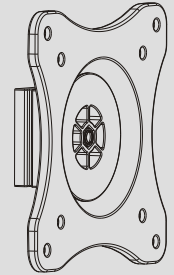
IMPORTANT: Ensure that you have received all parts according to the component checklist prior to installation. If any parts are missing or faulty, telephone your local distributor for a replacement.



articulated arm
assembly (x1)
A

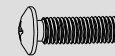


lock assembly (x1)
C

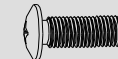


VESA plate (x1)
B

Package M



M4x14 (x4)
M-A

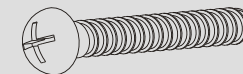


M5x14 (x4)
M-B



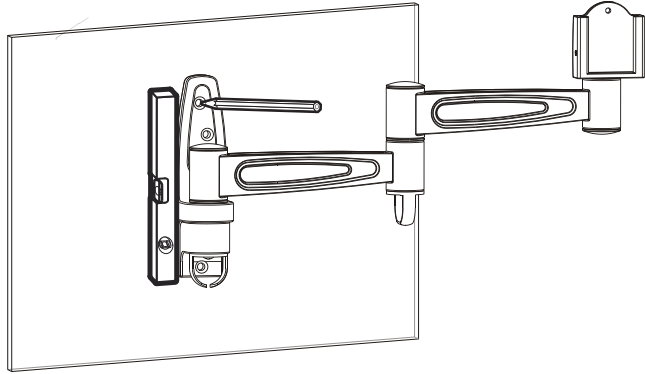
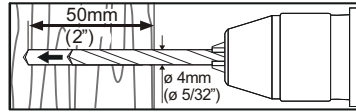
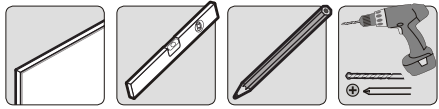
D5 washer (x4)
M-C

Package W

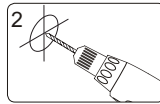


ST5.5x50 (x5)
W-A

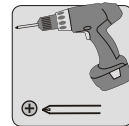
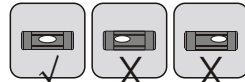
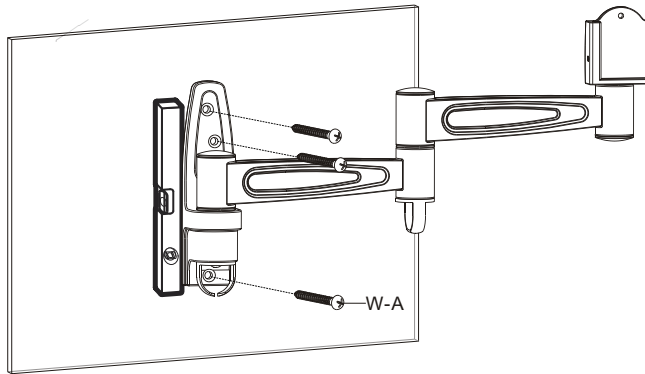
1. Mounting on Wood Walls



1
Find and mark the exact location of mounting holes



2
Drill pilot holes

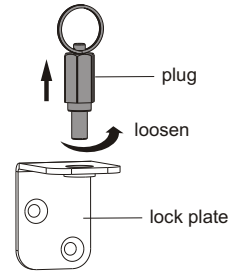


Screw the wall mount onto the wall

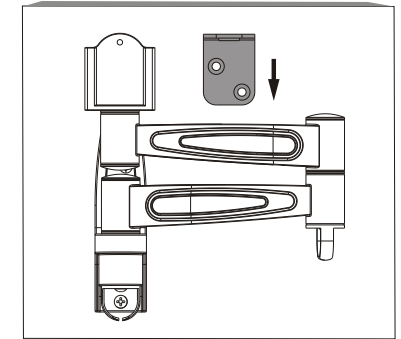
⚠ WARNING

- Installers are responsible to provide hardware for other types of mounting situations.
- Installers must verify that the supporting surface will safely support the combined weight of the equipment and all attached hardware and components.

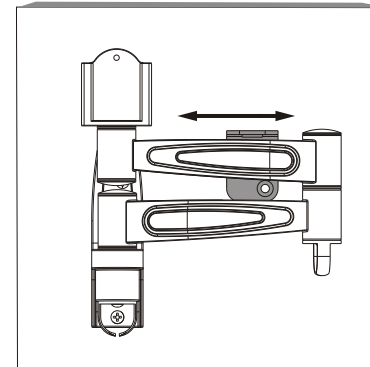
2. Installing the Lock Assembly



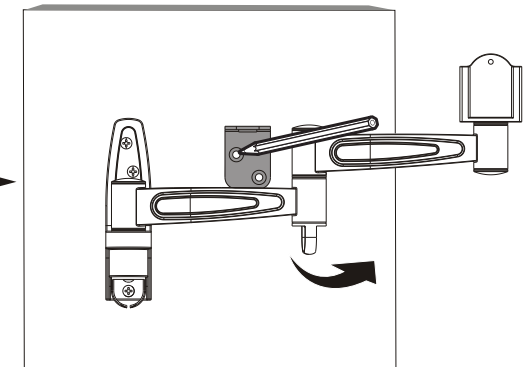
Remove the plug.



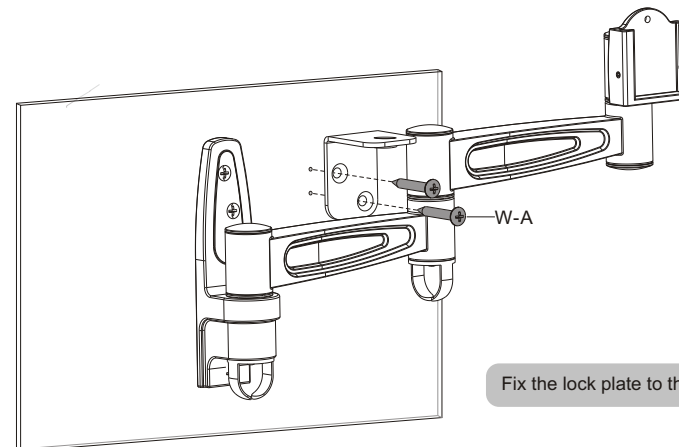
Fold the articulated arms to make the arms parallel with the wall.



Position the lock plate.

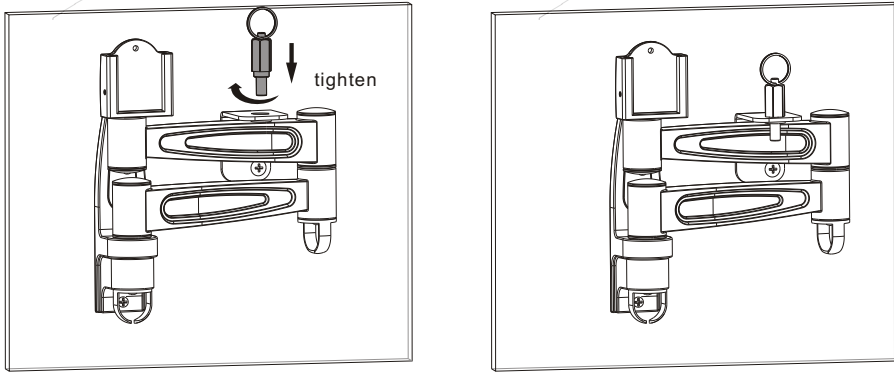


Unfold the articulated arms and use the lock plate to mark the two mounting holes.



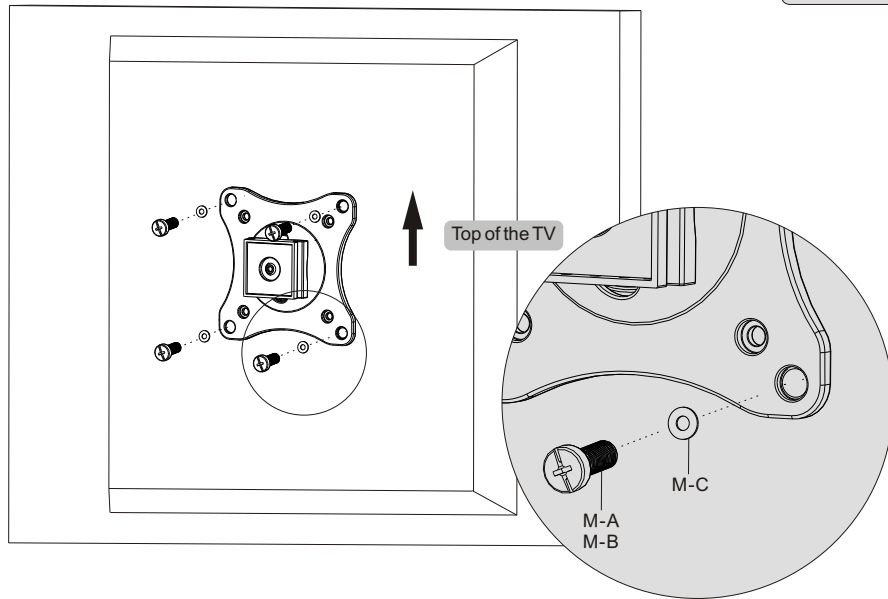
Fix the lock plate to the wall using two of the screws.

3. Installing the VESA Plate



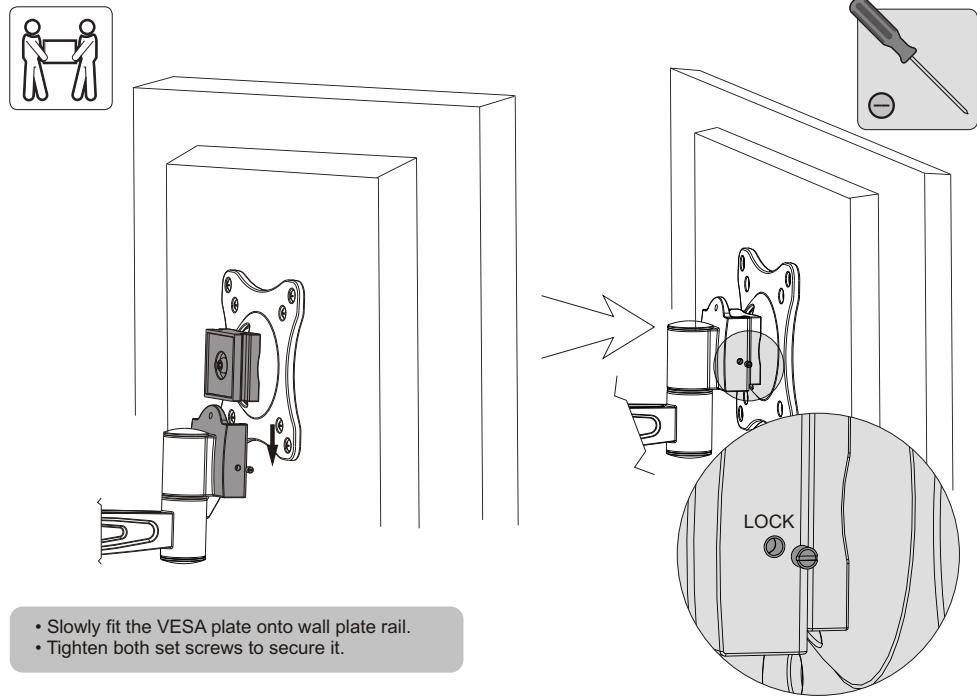
Fold the articulated arms to make the arms parallel with the wall again. Tighten the plug into the lock plate to avoid the arms-shaking when driving.

3. Installing the VESA Plate

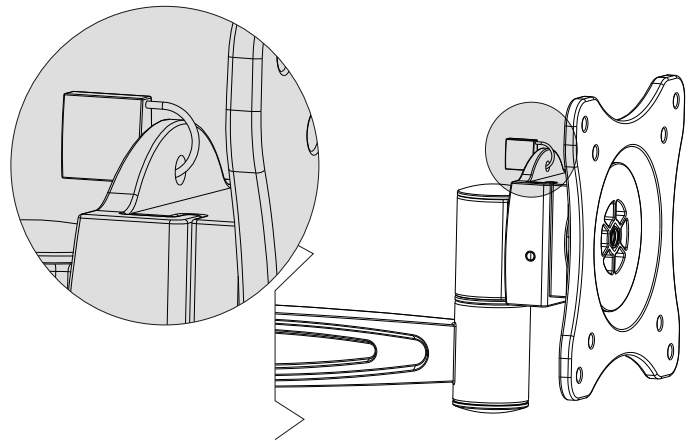


Screw the VESA plate onto the TV.
⚠️ Tighten all screws but do not over tighten.

4. Hanging the TV onto the Wall Plate



- Slowly fit the VESA plate onto wall plate rail.
- Tighten both set screws to secure it.



Use the padlock to prevent the TV from being stolen. (Padlock is not included)