

# USB Connectors USB 3.1 Sockets Type C

SMT, Shell DIP vertical



### SPECIFICATION:

Operating Current (Max.): 5 A VBUS pin  
 Operating Current (Max.): 0.25 A other pins  
 Operating Temperature: -55°C to 85°C  
 Insulation Resistance (Min.): 100 MΩ  
 Contact Resistance (Max.): 40 mΩ  
 Dielectric Strength: 100 Vac  
 Insertion Force (Max.): 20 N  
 Extraction Force: 20 N  
 Operating Life in Mating Cycles (Min.): 10000

T & R  
tape and reel

SMT

### MATERIAL:

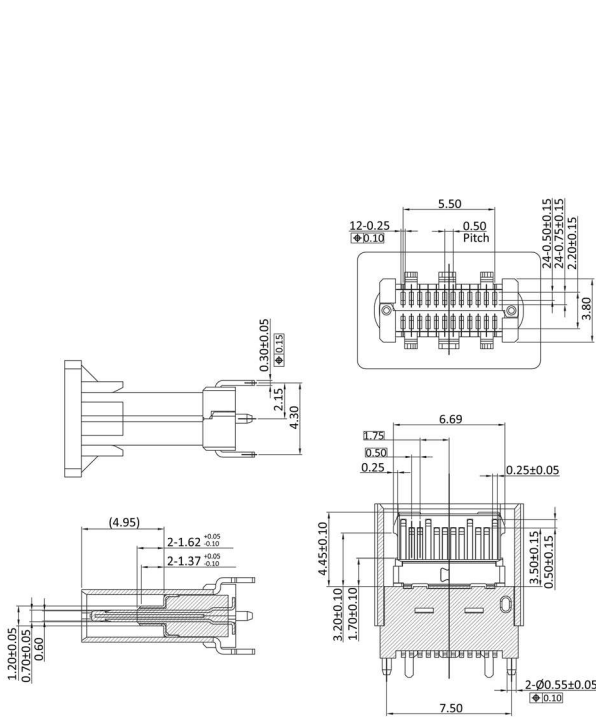
Material (Terminal): copper alloy, tin plated  
 Material (Housing): steel, nickel plated  
 Material (Insulation): thermoplastic  
 Flammability Class: UL 94 V-0  
 Material (Contact Area): copper alloy, gold plated

### HANDLING:

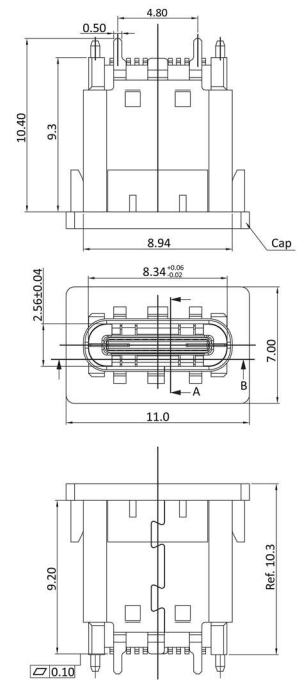
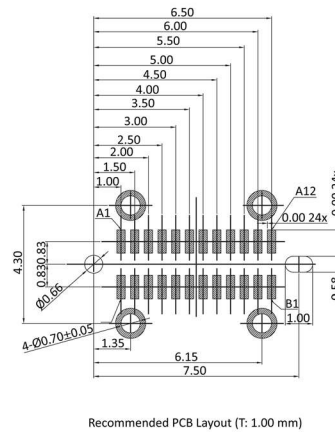
Packaging: taped

### TOLERANCE:

.X: ± 0.25  
 .XX: ± 0.20



A	B
1	GND
2	SSTxp1
3	SSTxn1
4	VBUS
5	CC1
6	Dp1
7	Dn1
8	RFU1
9	VBUS
10	SSRXn2
11	SSRXp2
12	GND



### Order Information

Identifier:	Contact Plating:	Version:
U31BU1C	G	V
USB 3.1 Socket Type C	gold plated	vertical