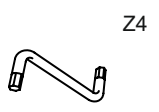


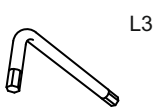

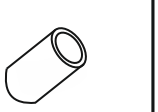
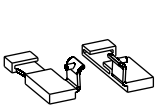
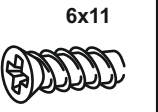
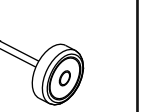
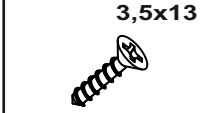
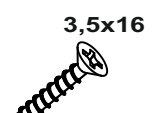
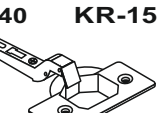
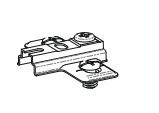

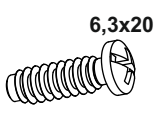

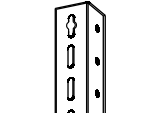
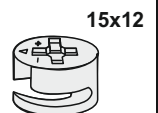
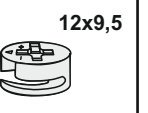
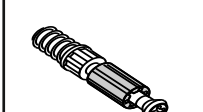
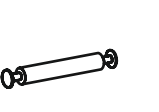
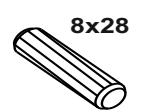
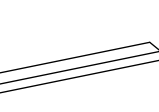
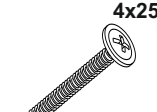
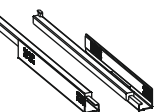
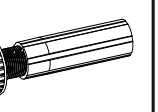
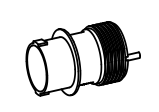

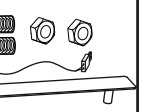
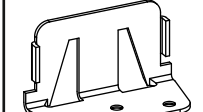
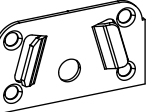
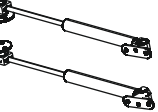

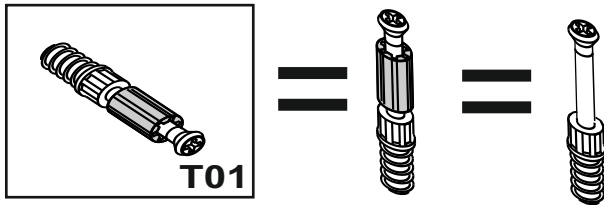
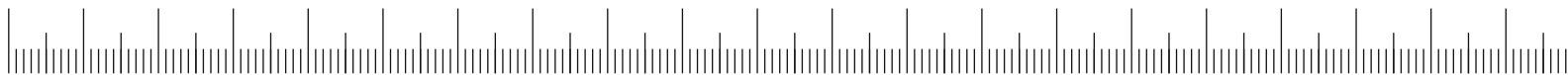
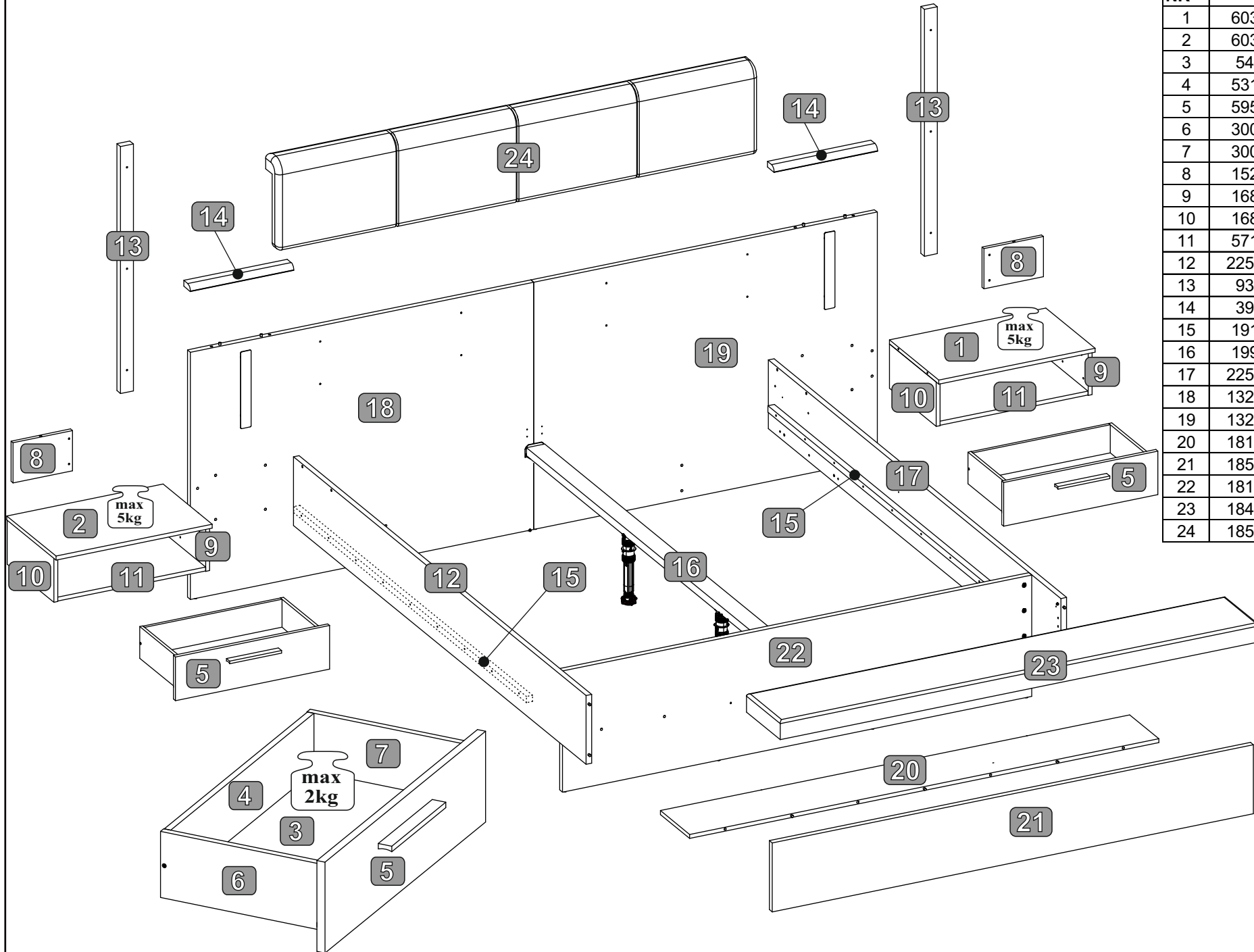
 7x70 18x W70	 Z4 2x K01	 7x40 4x W40	 5x40 4x W16	 L3 1x K02	 4x40 40x W28	 G10 8x	 B12 2x _{L+R}	 6x11 8x W12	 S01 8x
 3,5x13 8x W02	 3,5x16 18x W30	 Φ40 KR-15 3x Z08	 Z10 3x	 R01 8x	 6,3x20 16x W29	 4x30 4x W23	 L03 2x	 15x12 46x T02	 12x9,5 4x T12
 T01 42x	 T03 4x	 8x28 58x D01	 U50 2x	 4x25 4x W05	 P05 2x	 NOG 2x	 REG 4x	 O51 1x	 O53 2x
 L08 2x	 L08 2x	 SG1 1x	 SG1 10x						



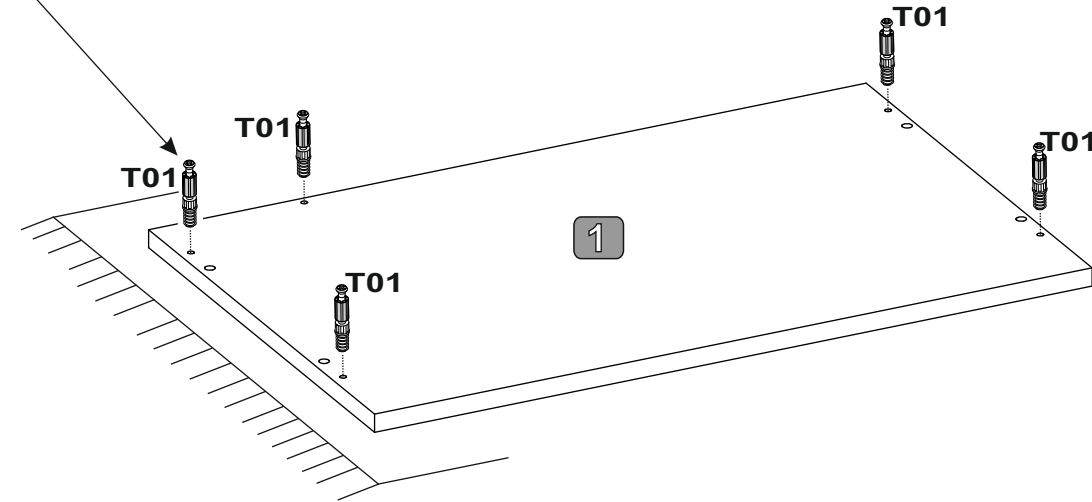
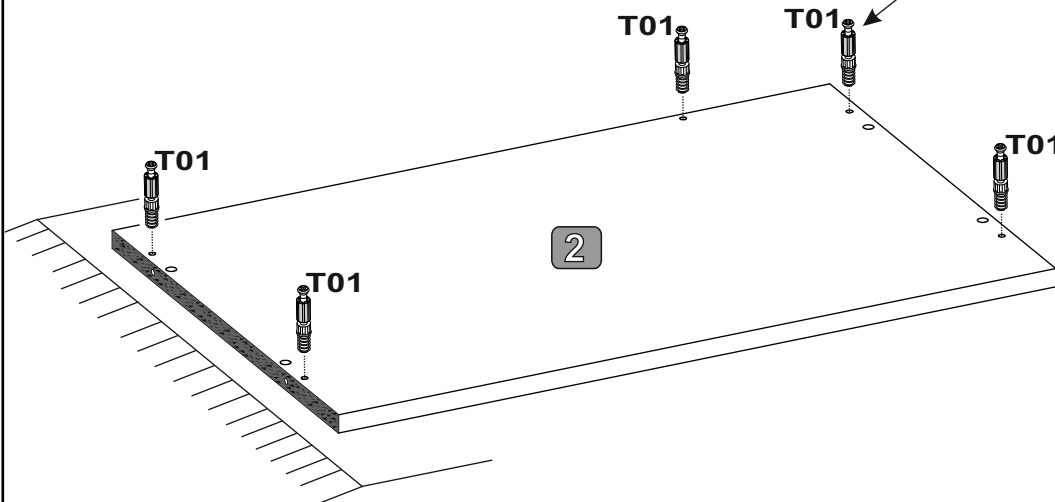
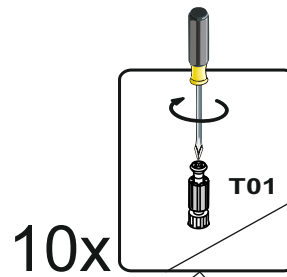
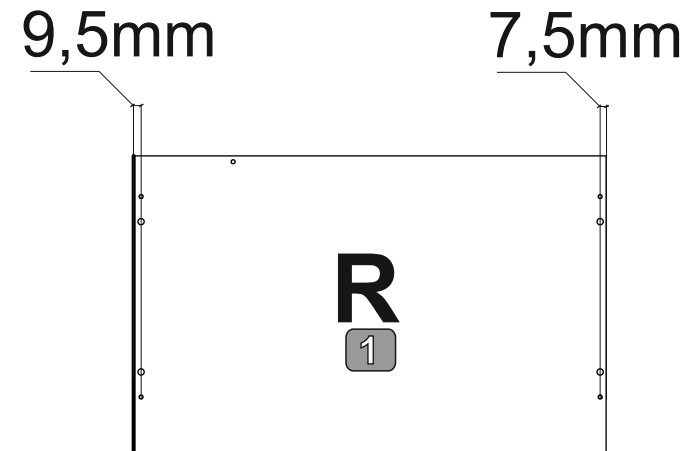
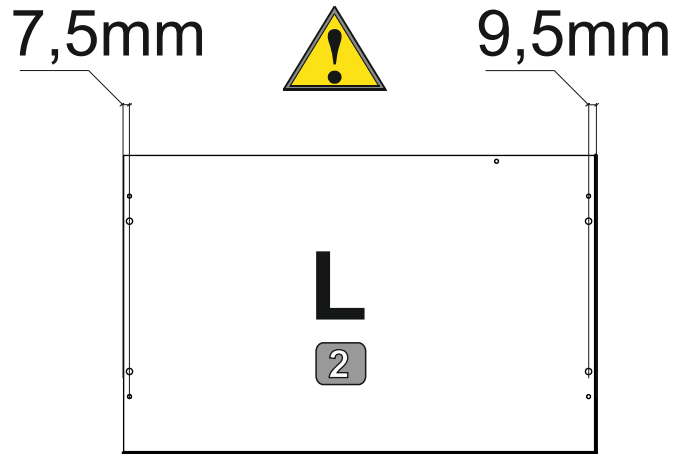
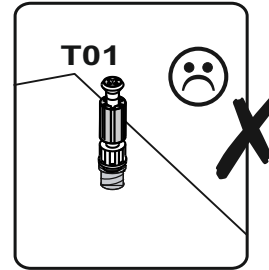
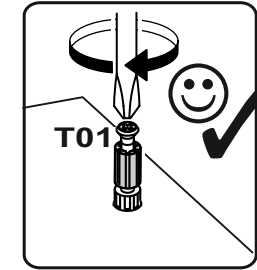
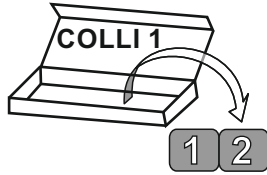
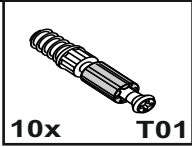
0 10 20 30 40 50 60 70 80 90 100 110 120 130 140 150 160 170 180 190 200





NR	DIM	QTE	COLLI
1	603x380x15	1	1/6
2	603x380x15	1	1/6
3	542x300x2	2	1/6
4	531x120x12	2	1/6
5	595x165x15	2	1/6
6	300x120x12	2	1/6
7	300x120x12	2	1/6
8	152x229x15	2	1/6
9	168x360x15	2	1/6
10	168x360x15	2	1/6
11	571x359x15	2	1/6
12	2257x260x22	1	2/6
13	935x50x28	2	2/6
14	399x51x22	2	2/6
15	1916x25x25	2	2/6
16	1995x65x28	1	2/6
17	2257x260x22	1	2/6
18	1325x935x22	1	3/6
19	1325x939x22	1	3/6
20	1810x225x15	1	5/6
21	1856x261x22	1	5/6
22	1810x459x22	1	5/6
23	1848x260x70	1	6/6
24	1854x340x90	1	6/6

1



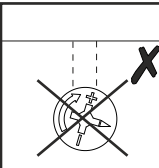
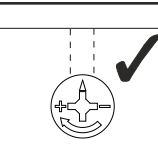
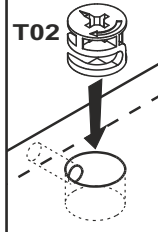

2

15x12 12x T02	8x28 8x D01	2x T01
---------------------	-------------------	-----------

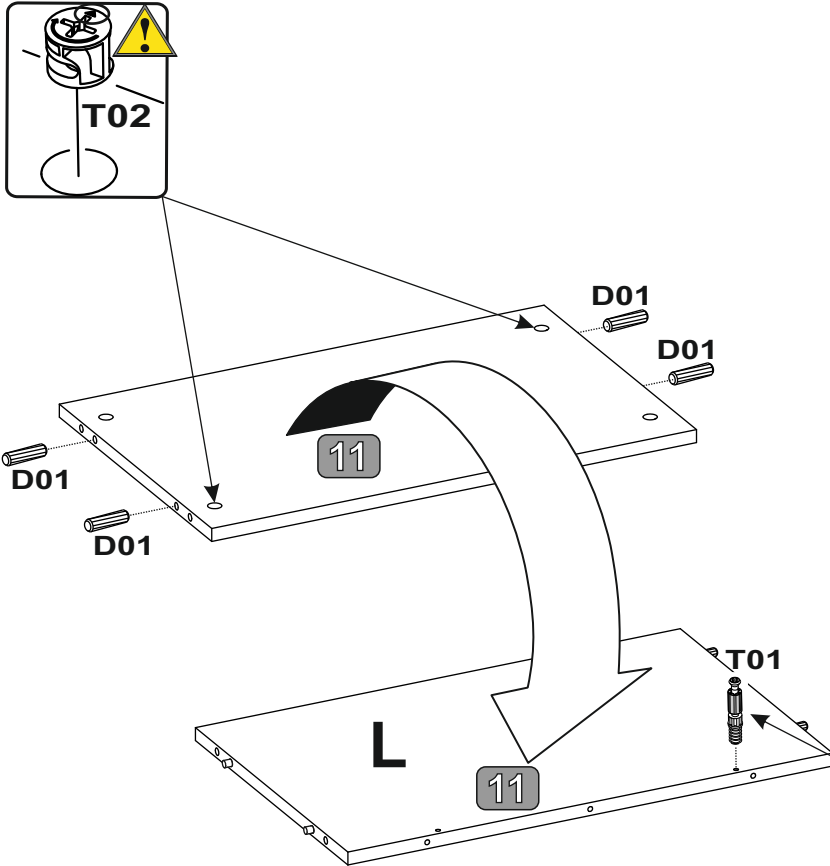

COLLI 1

8 11

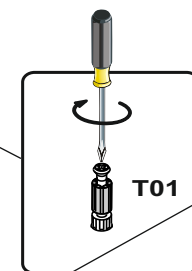
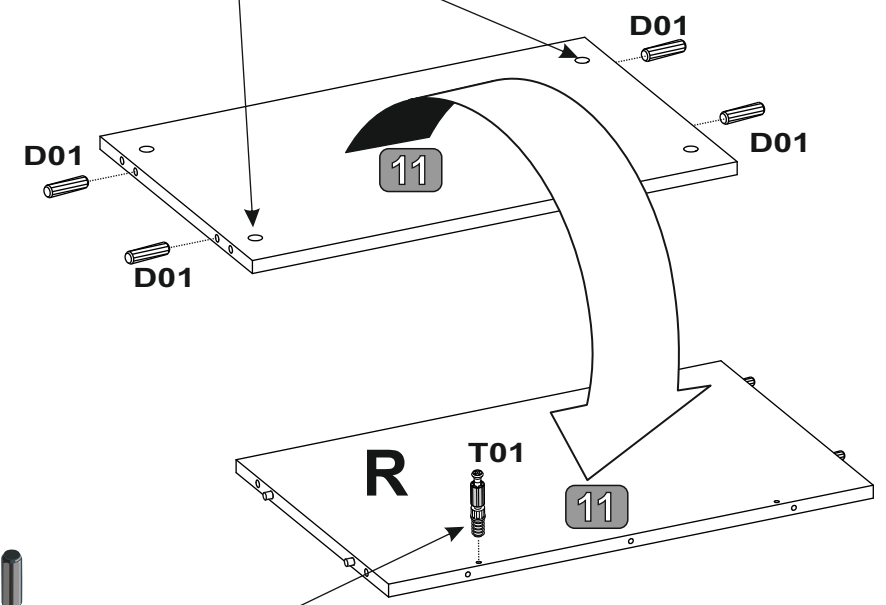

4x T02



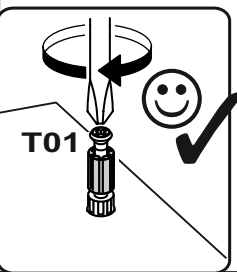
4x T02



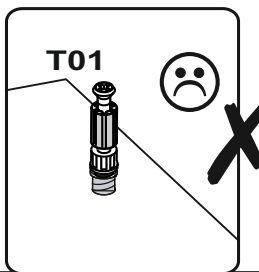
4x T02



T01

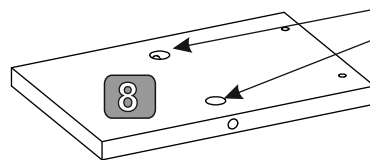


T01



T01

[2x]

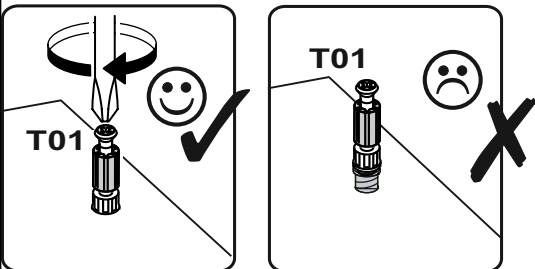
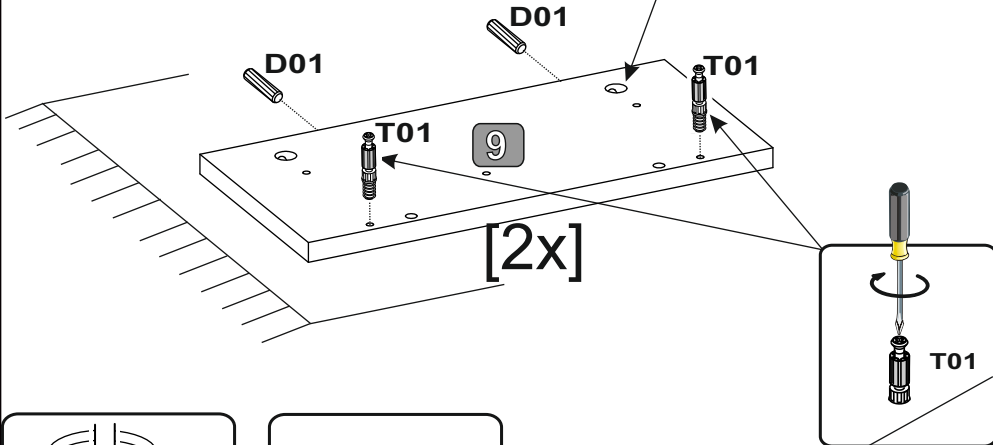
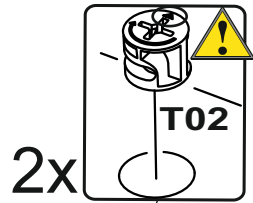
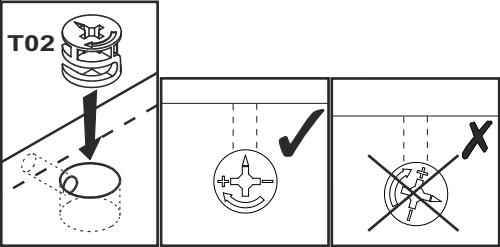
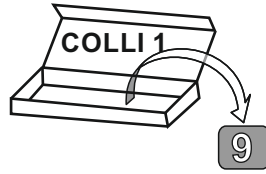
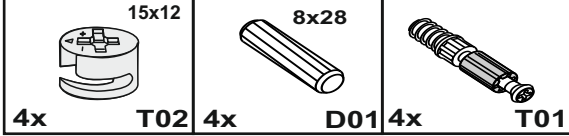


8

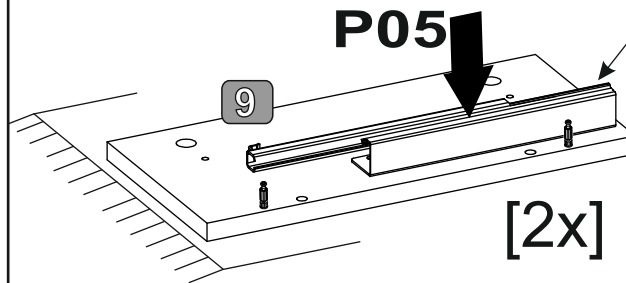
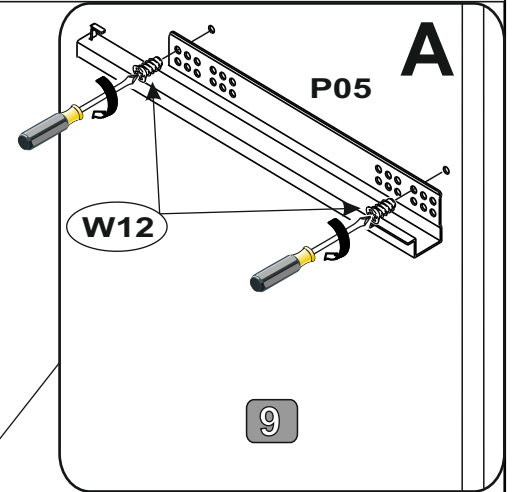
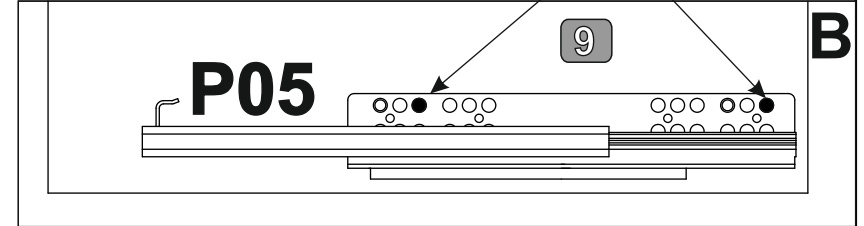
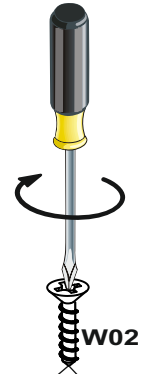
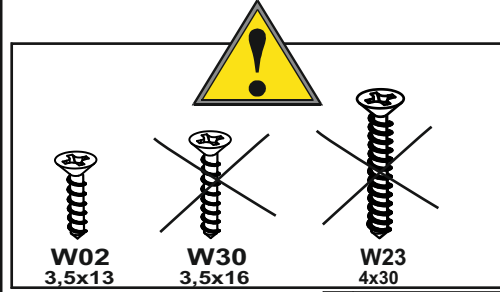
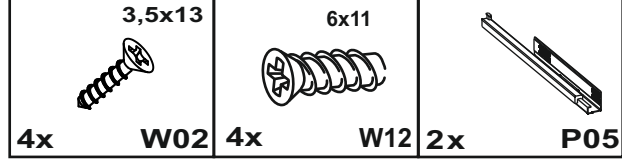


T02

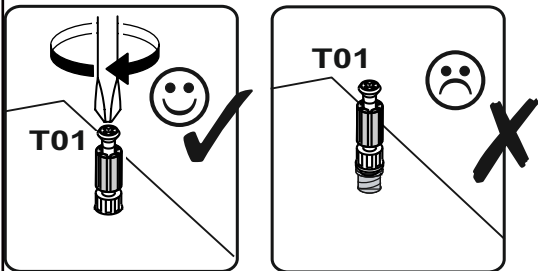
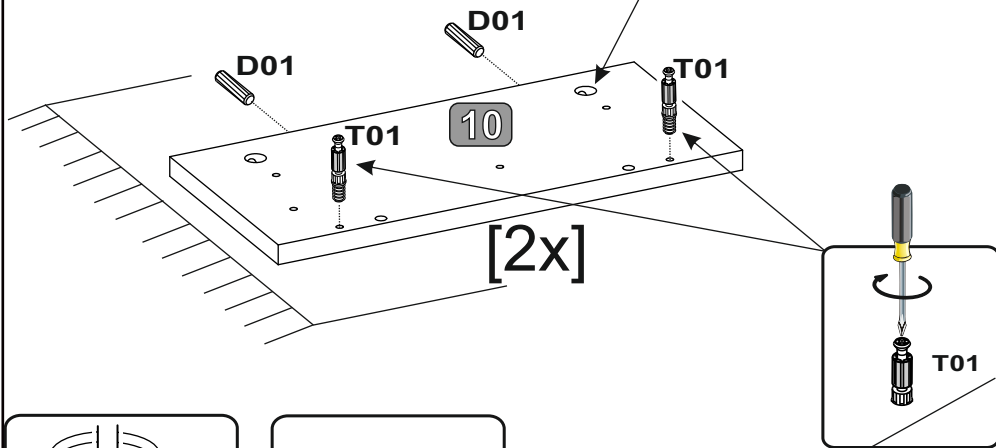
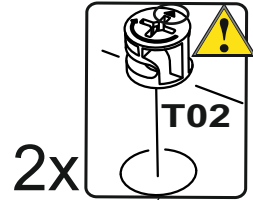
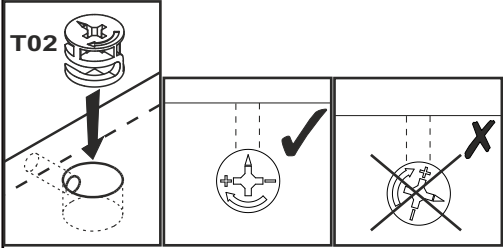
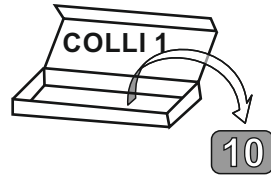
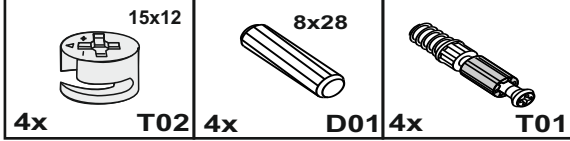
3



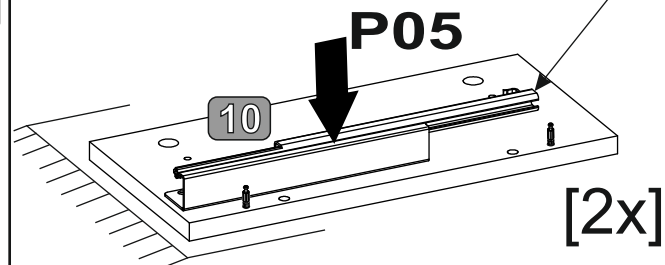
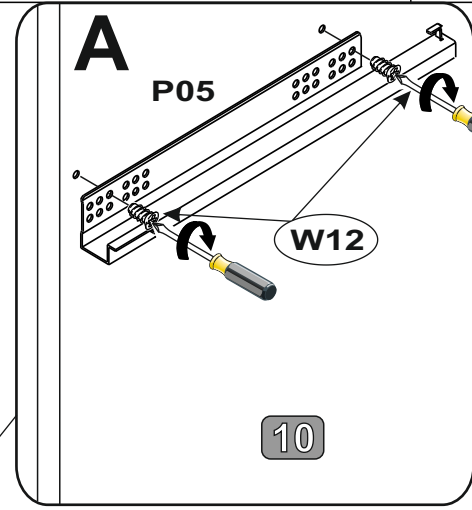
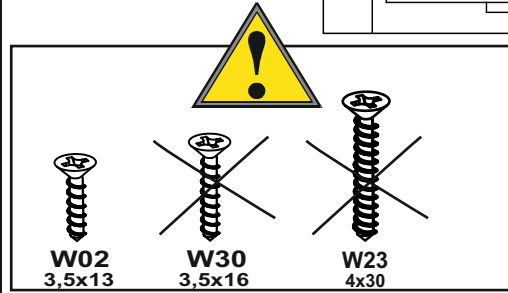
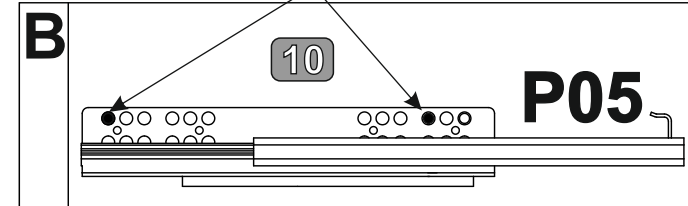
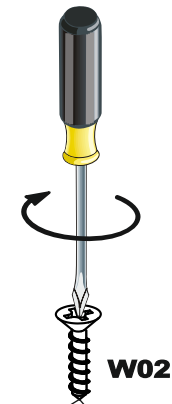
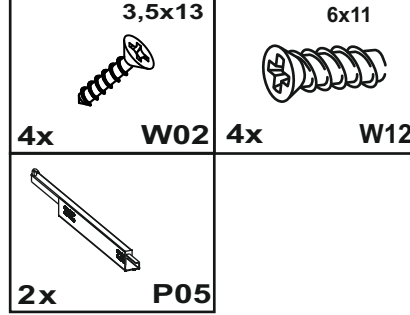
4



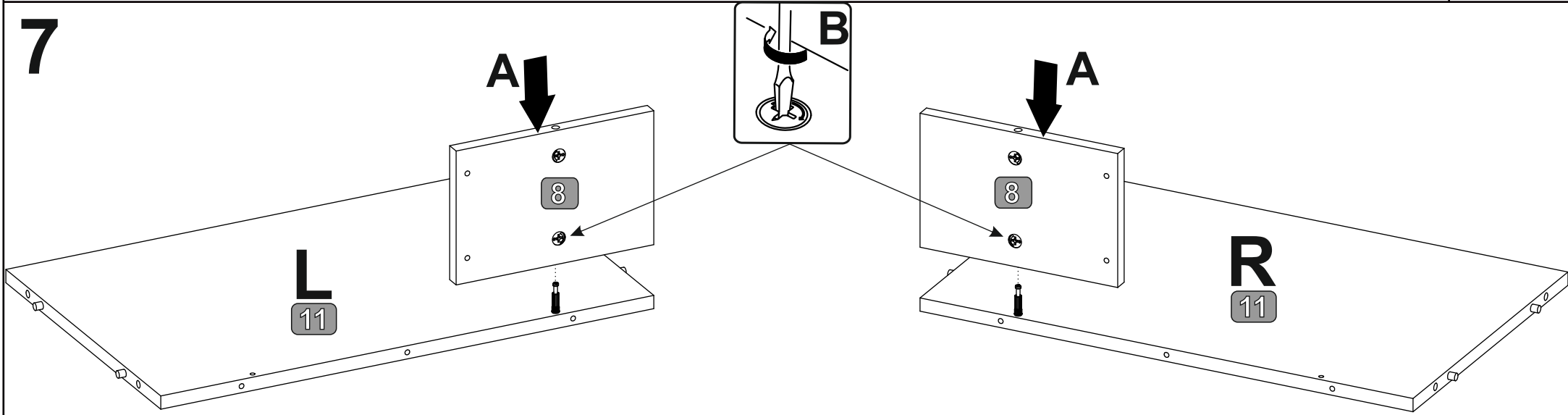
5



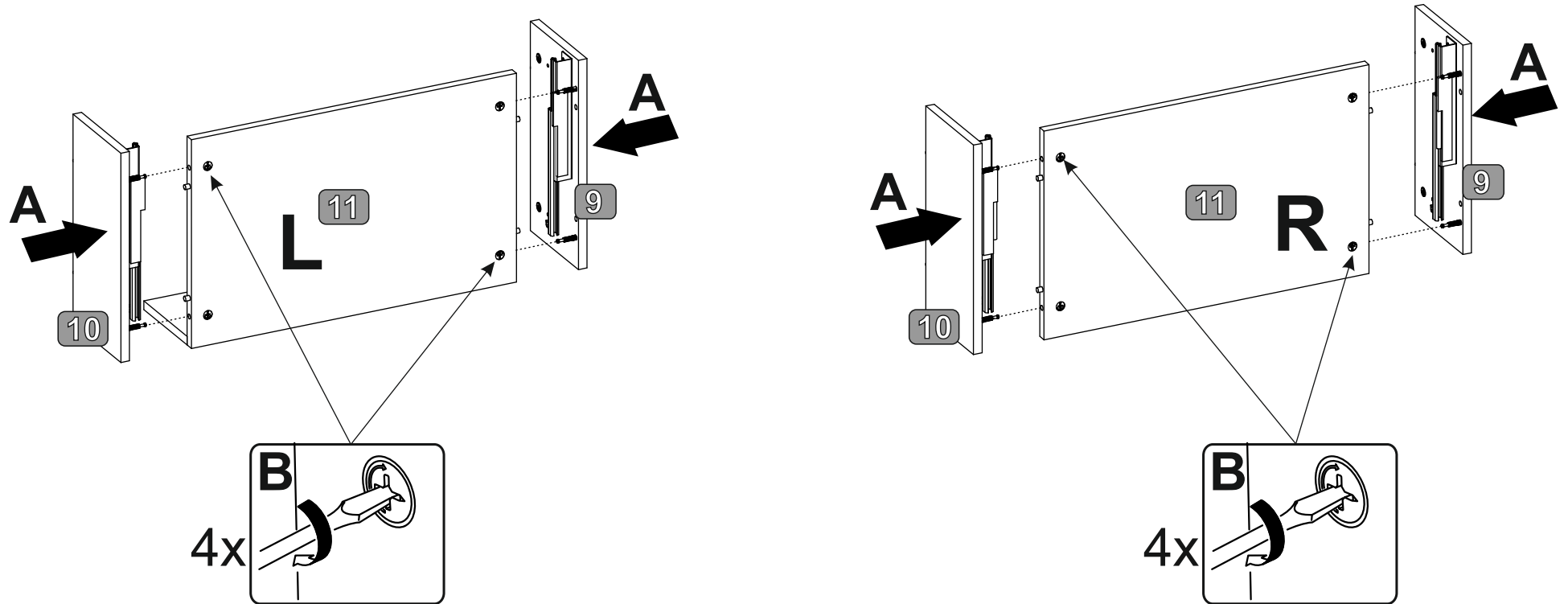
6



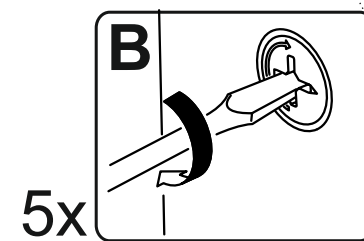
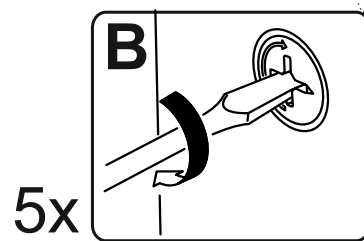
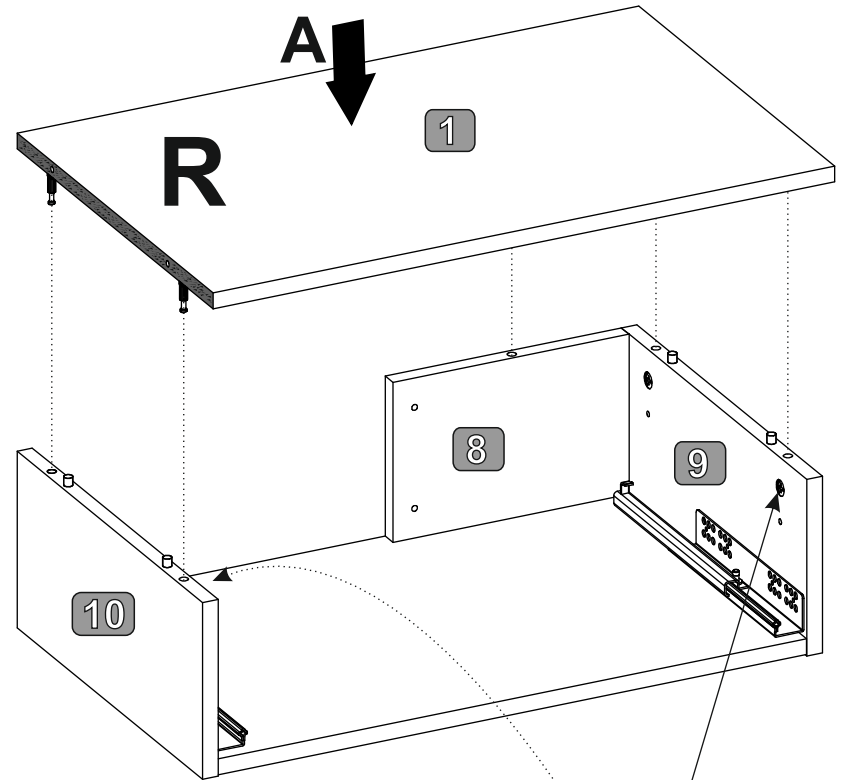
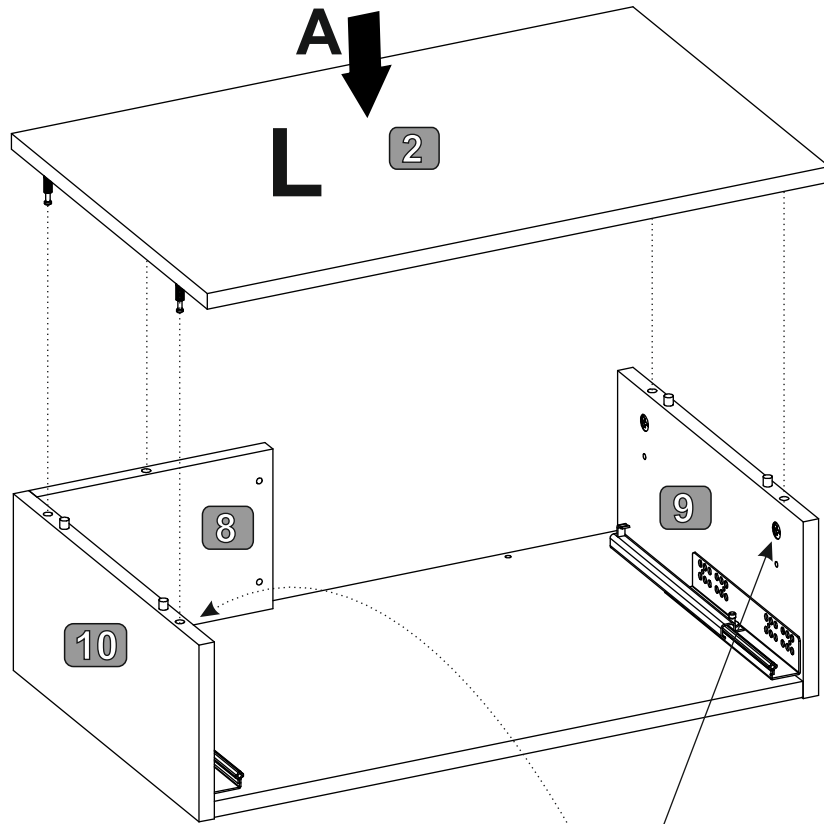
7



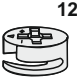

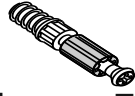
8




9



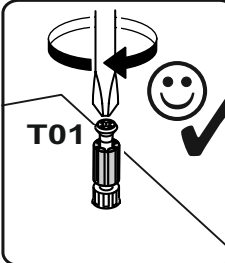
10

12x9,5  4x T12	8x28  16x D01	 4x T01
---	--	---

COLLI 1

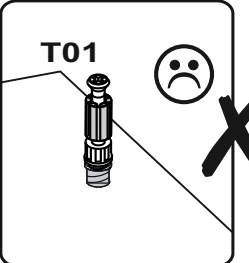


4 5 6 7



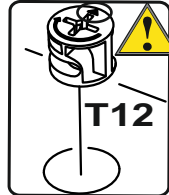
T01

☺ ✓



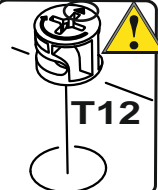
T01

☹ ✗



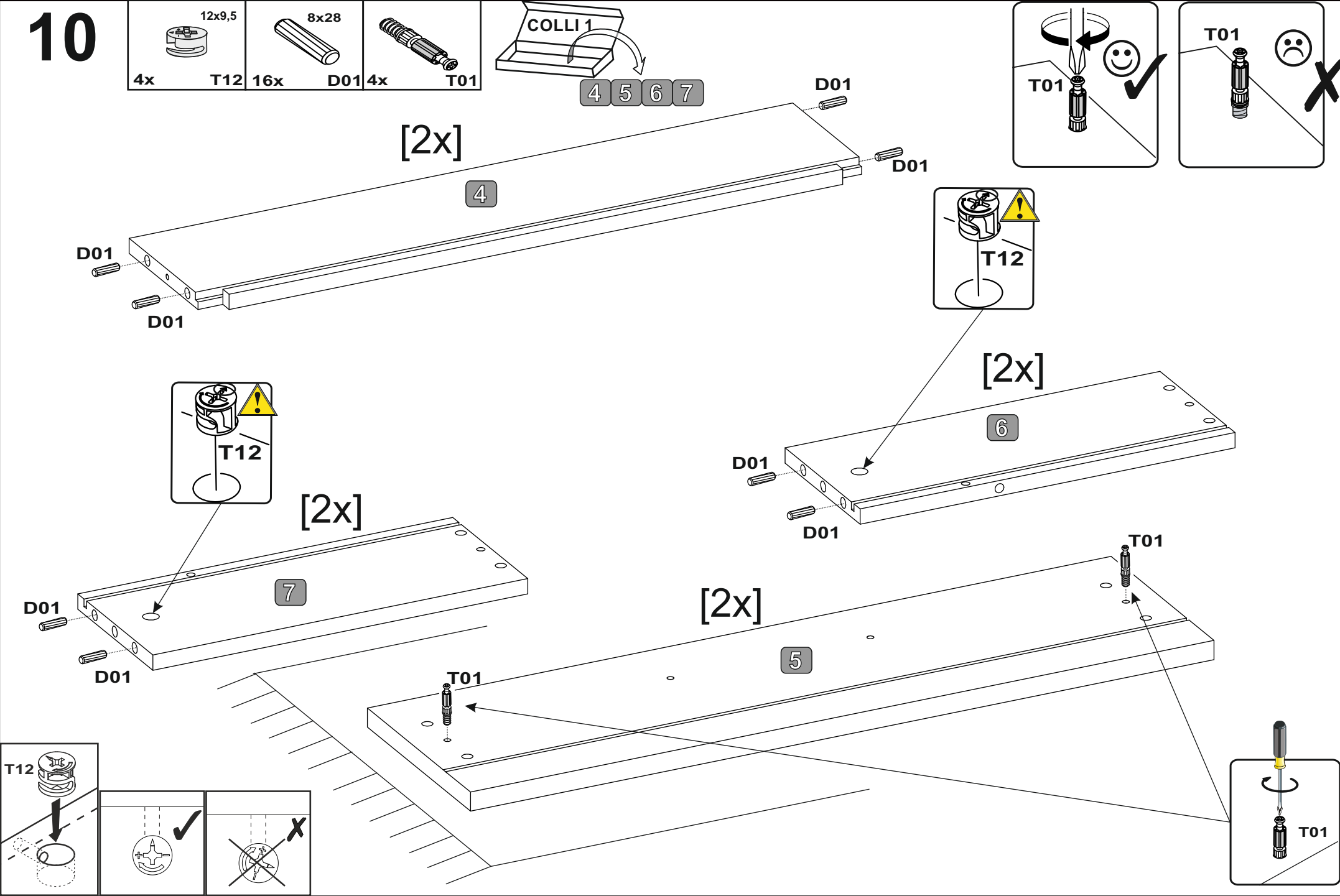
T12

⚠






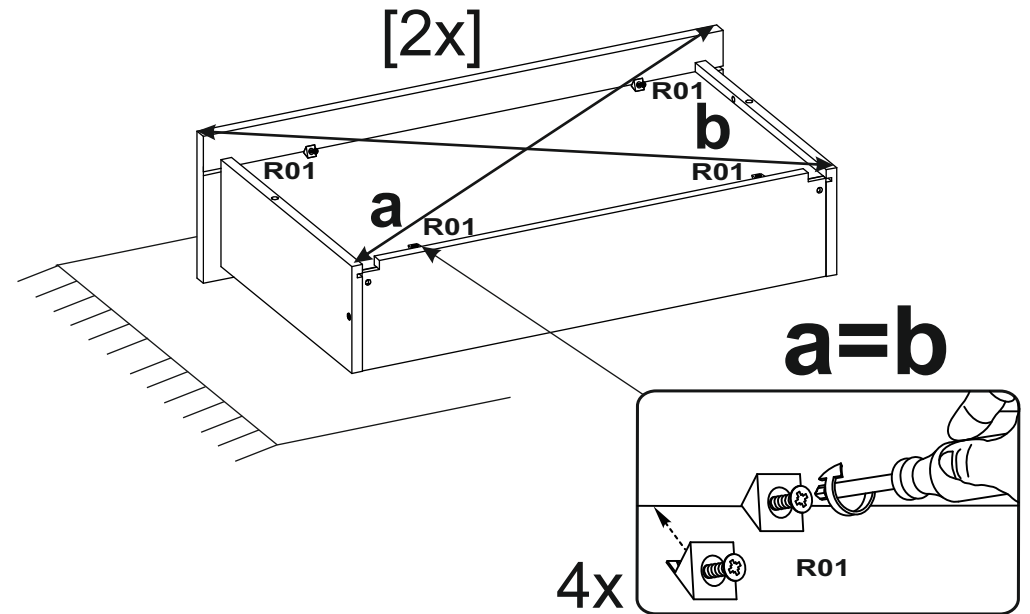
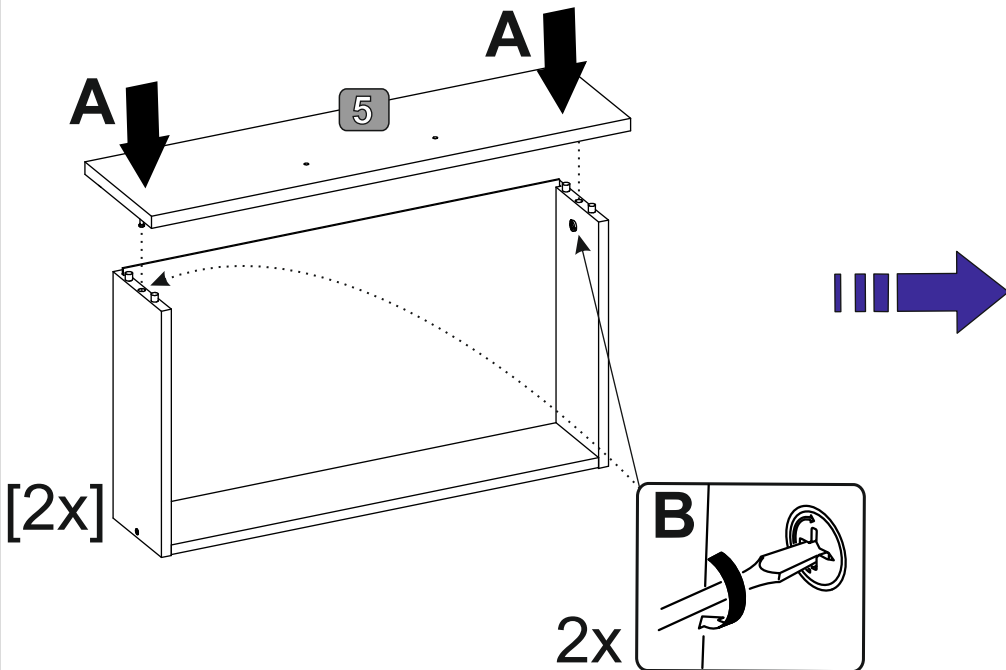
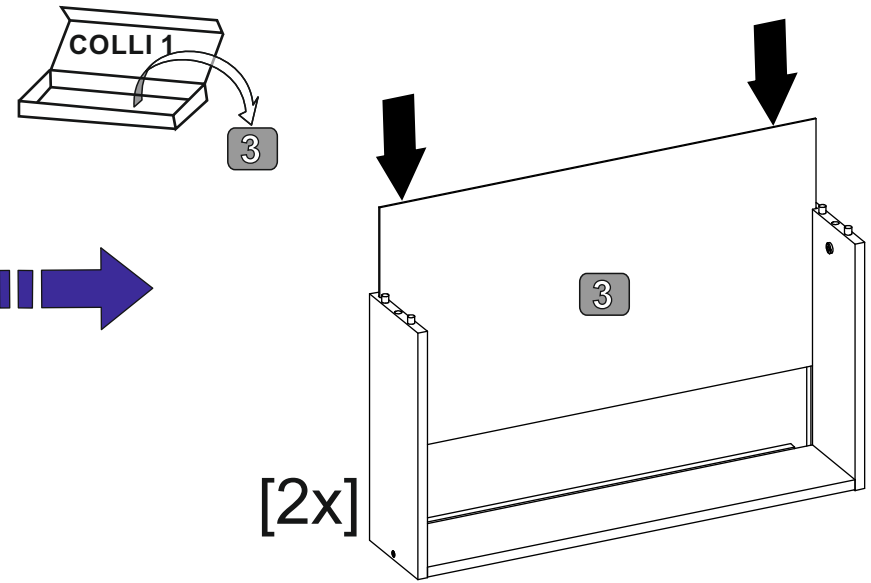
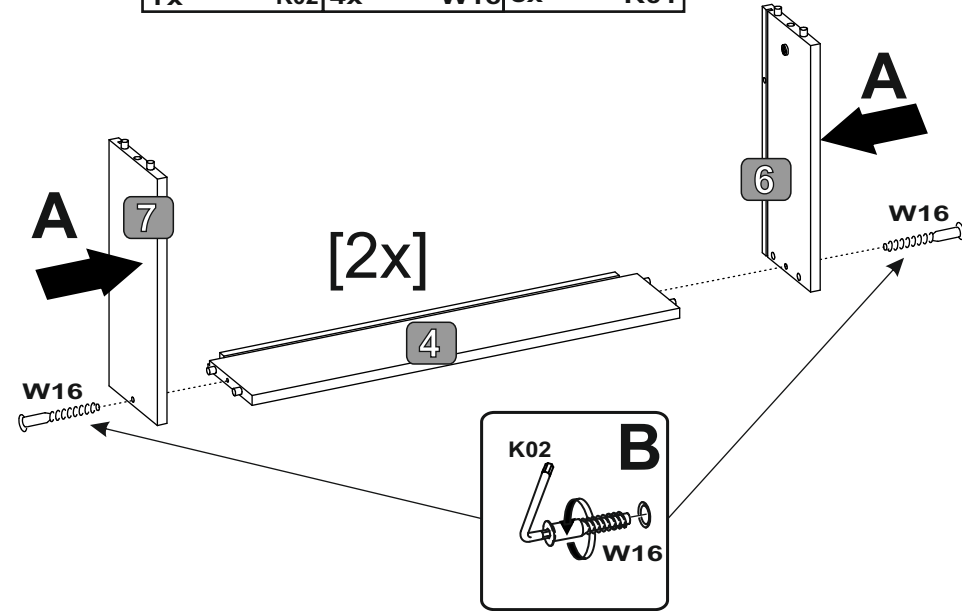
T12

⚠

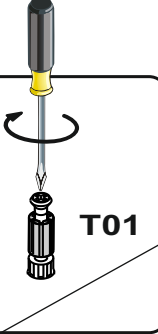


11

	L3		5x40		R01
1x	K02	4x	W16	8x	

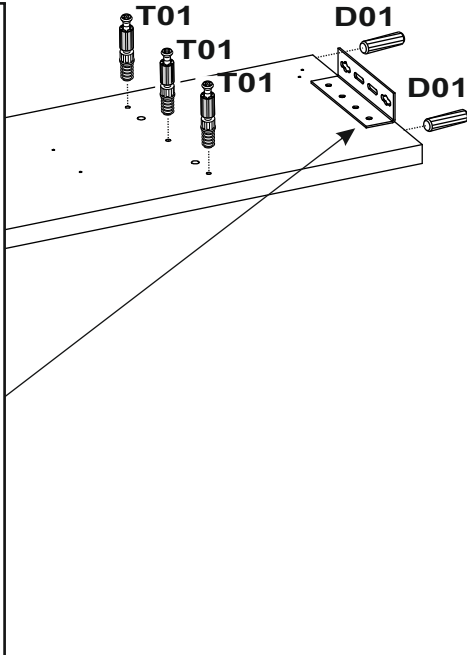
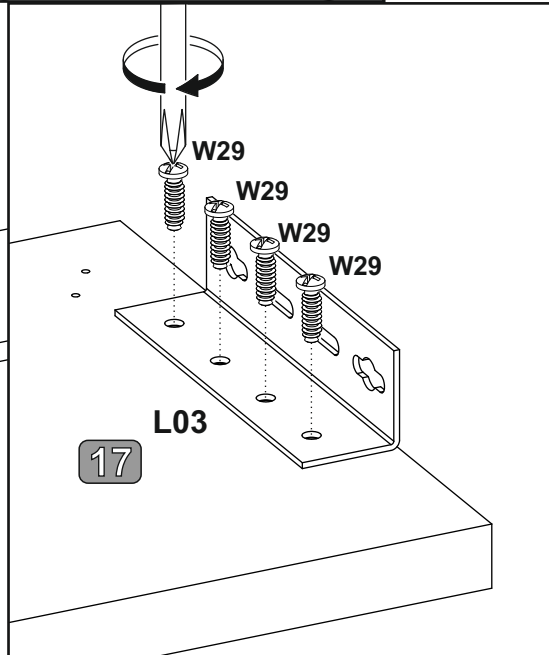
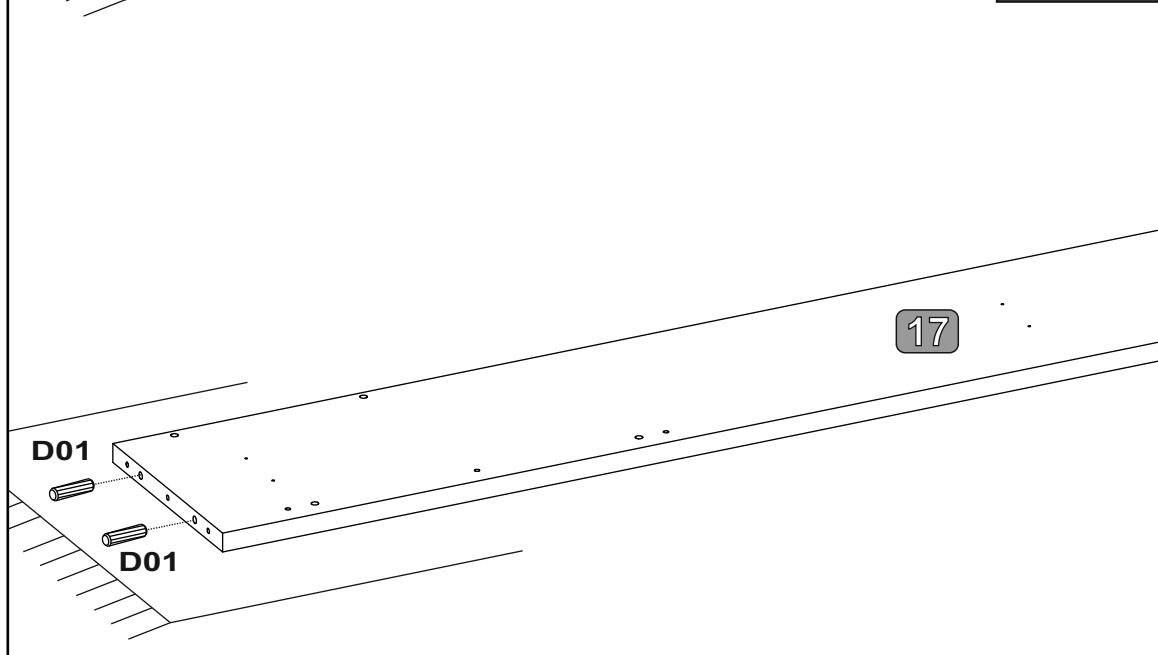
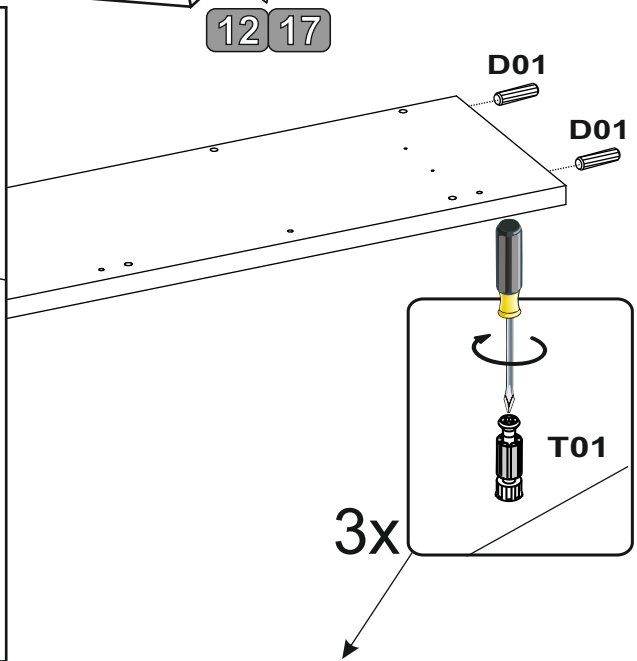
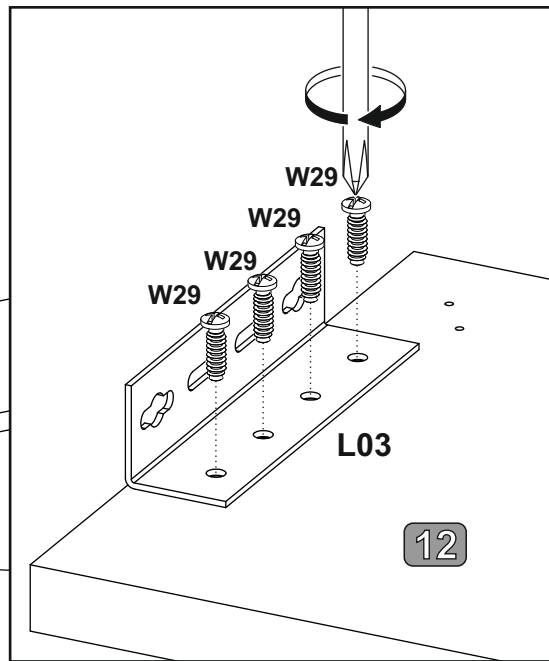
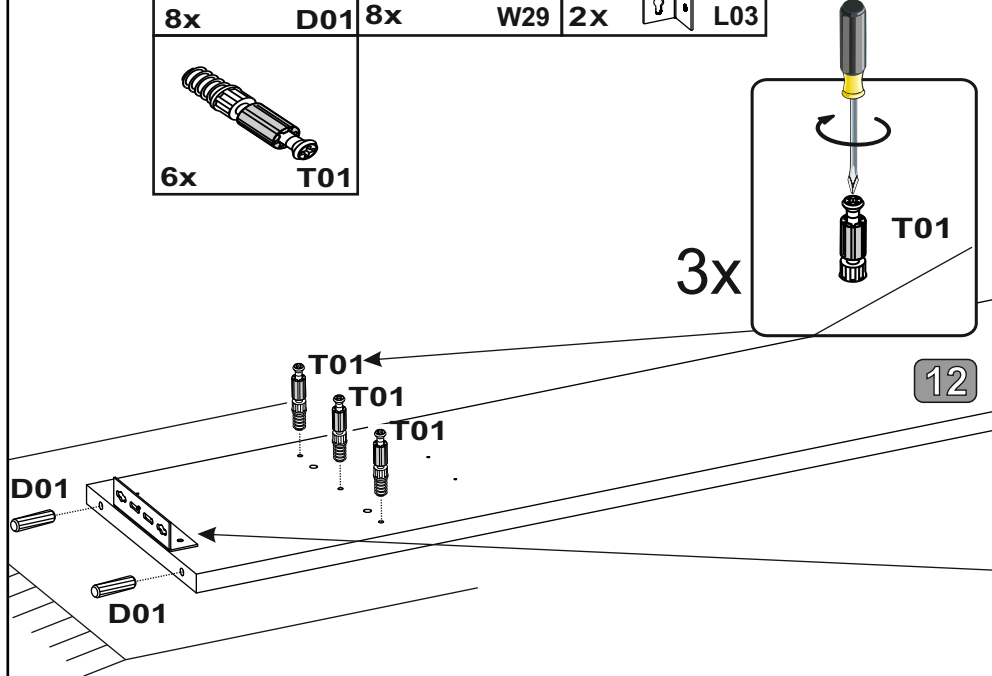



12

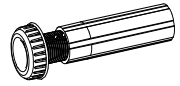
8x28 8x D01	6,3x20 8x W29	L03 2x
		
3x		

COLLI 2

12 17



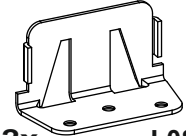
13



2x NOG



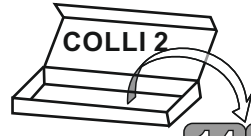
4x REG



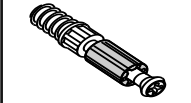
2x L08



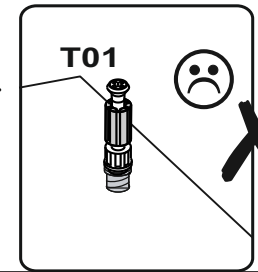
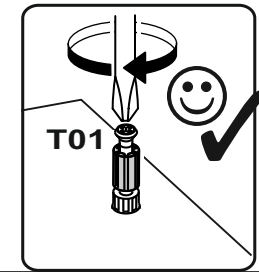
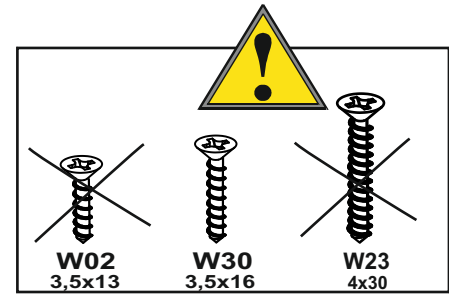
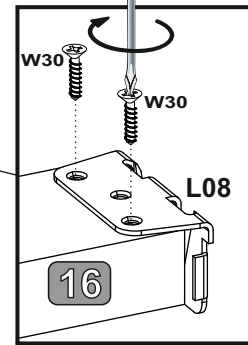
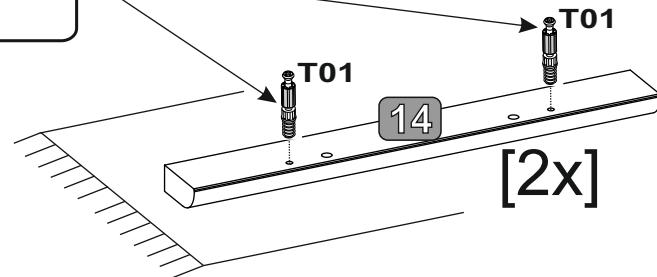
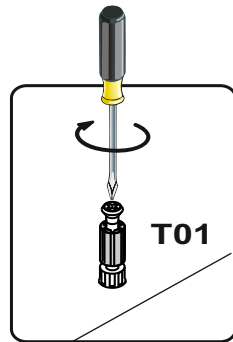
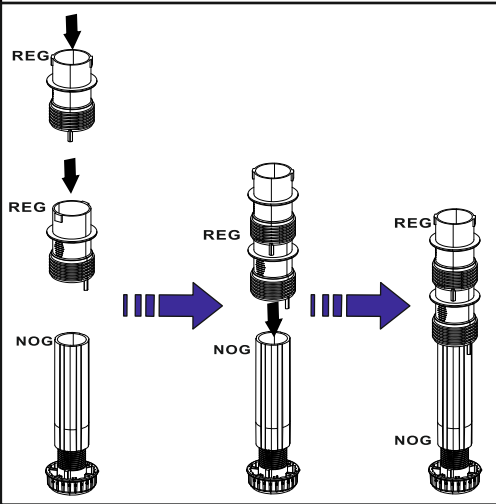
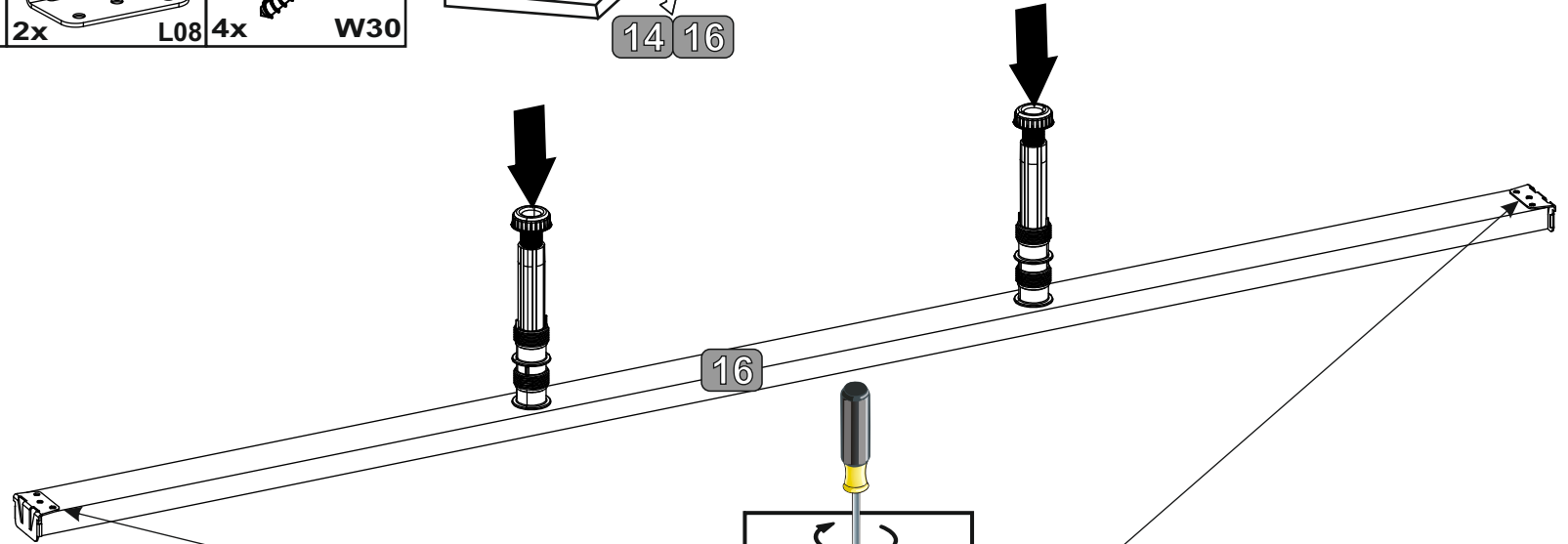
4x 3,5x16 W30



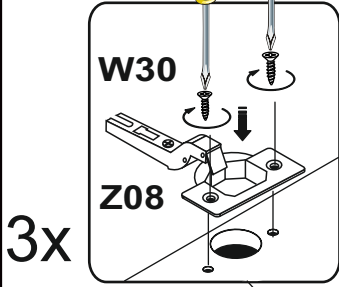
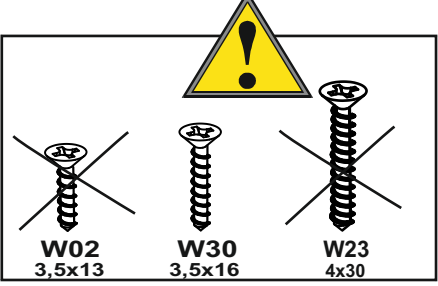
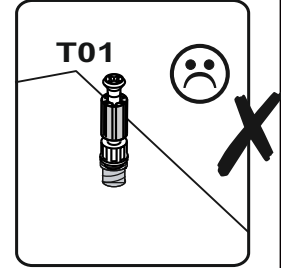
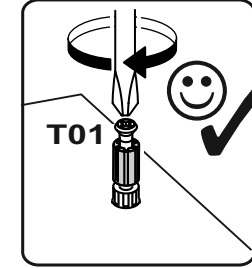
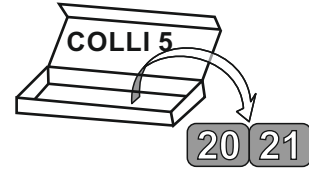
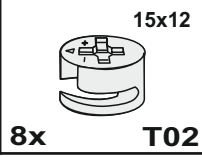
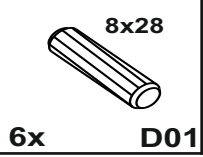
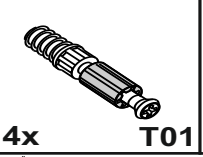
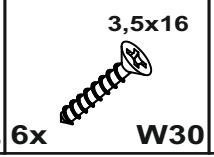
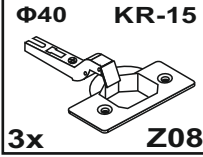
14 16



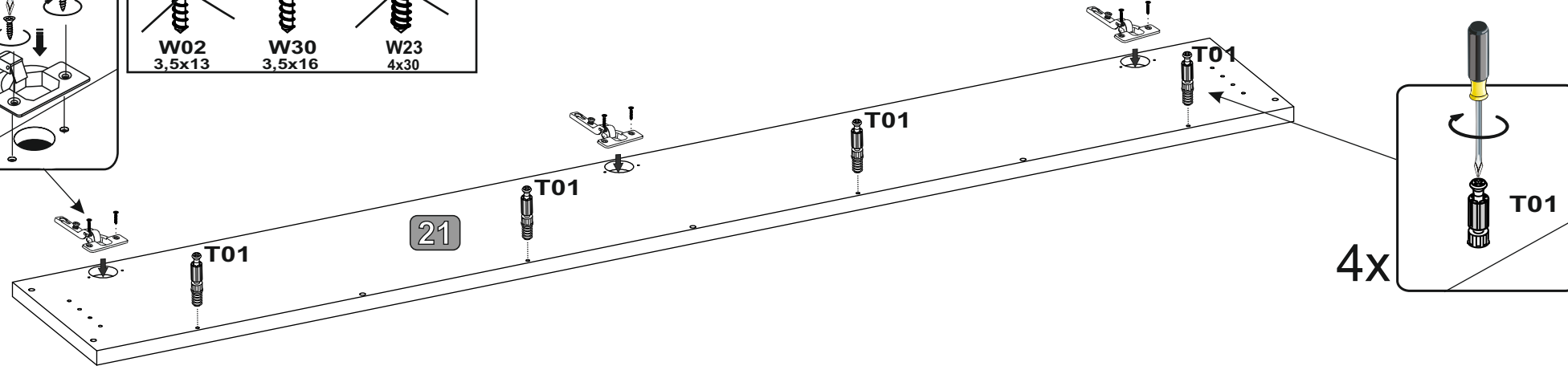
4x T01



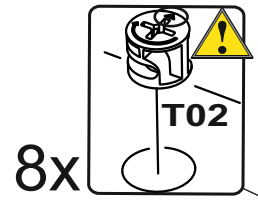
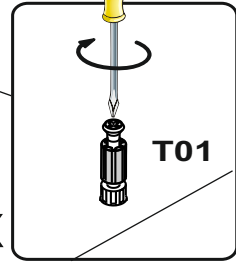
14



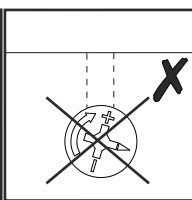
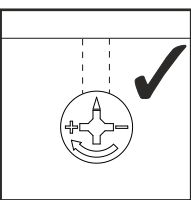
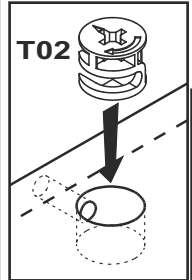
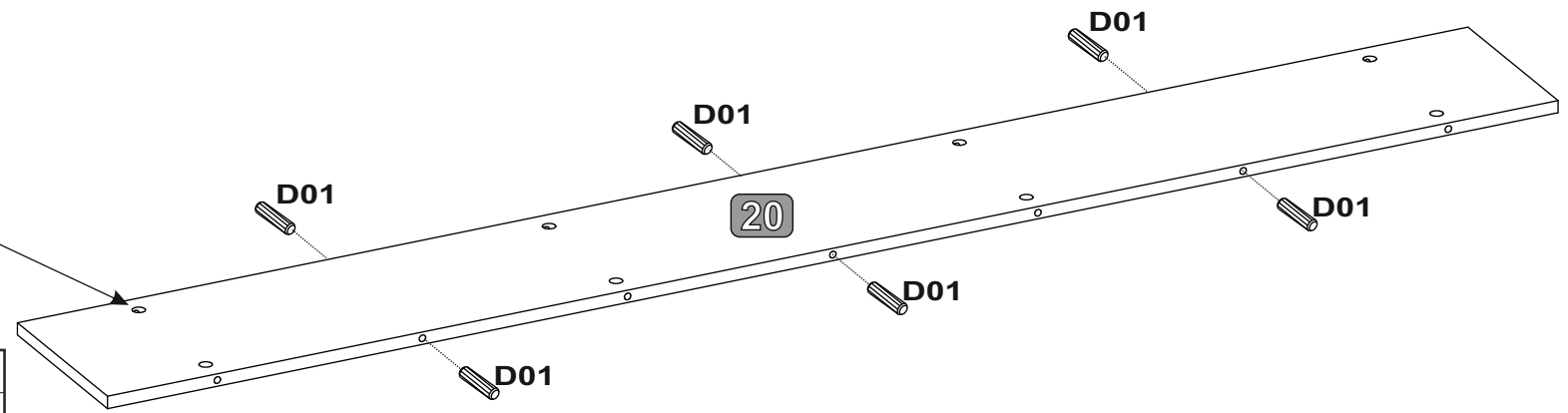
3x



4x

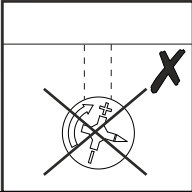
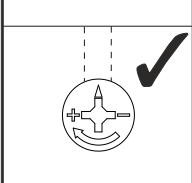
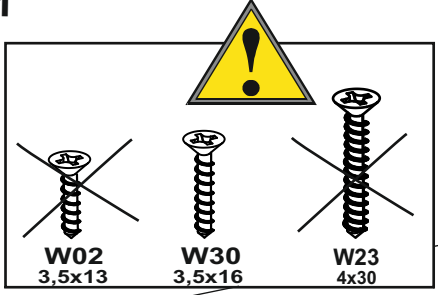
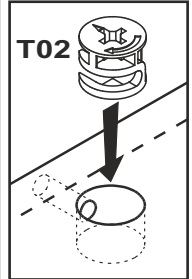
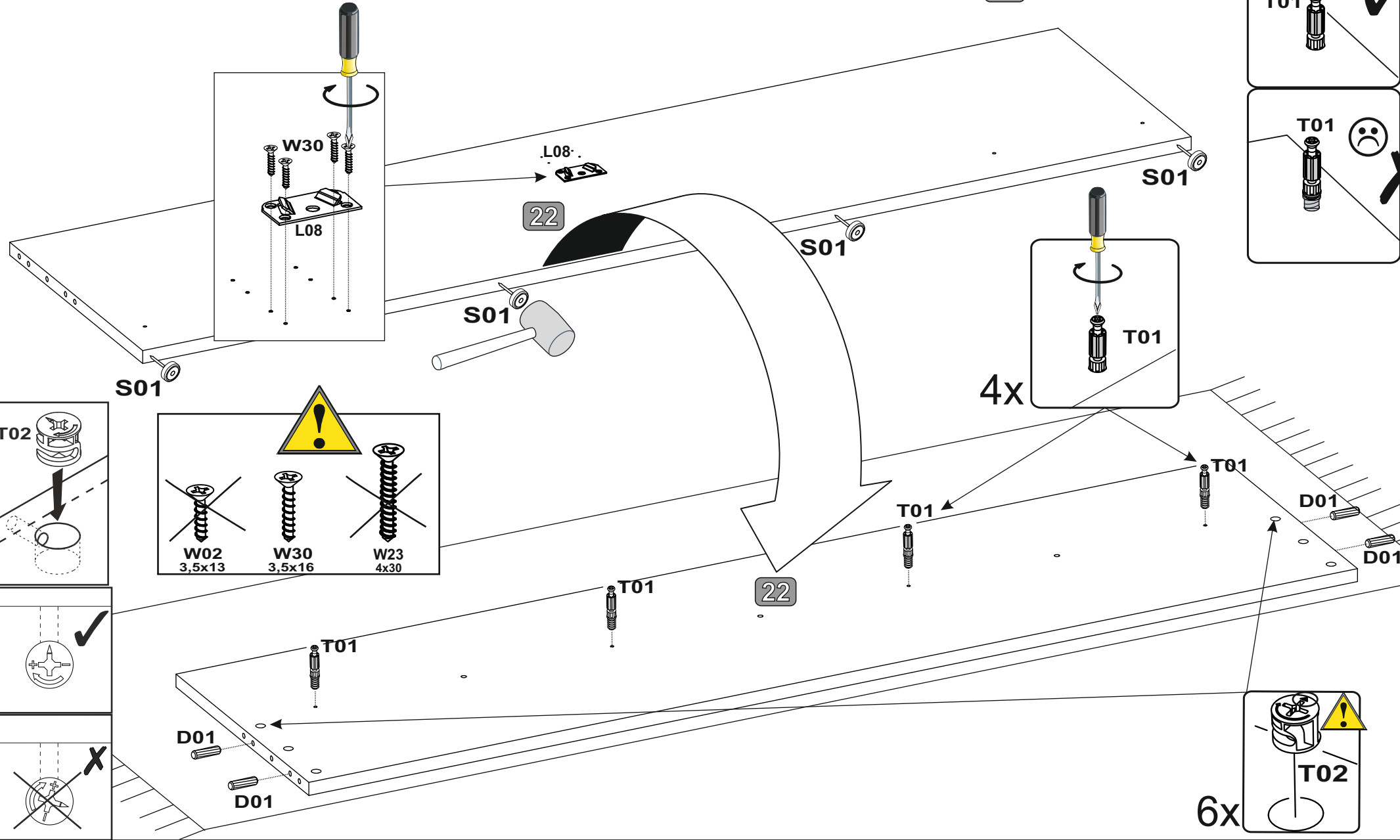
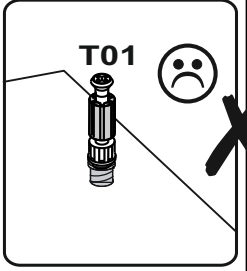
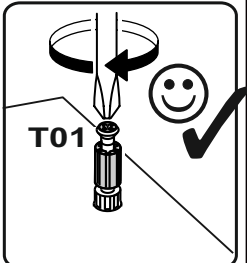
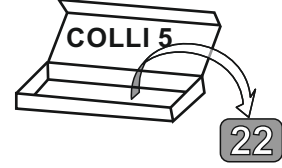


8x



15

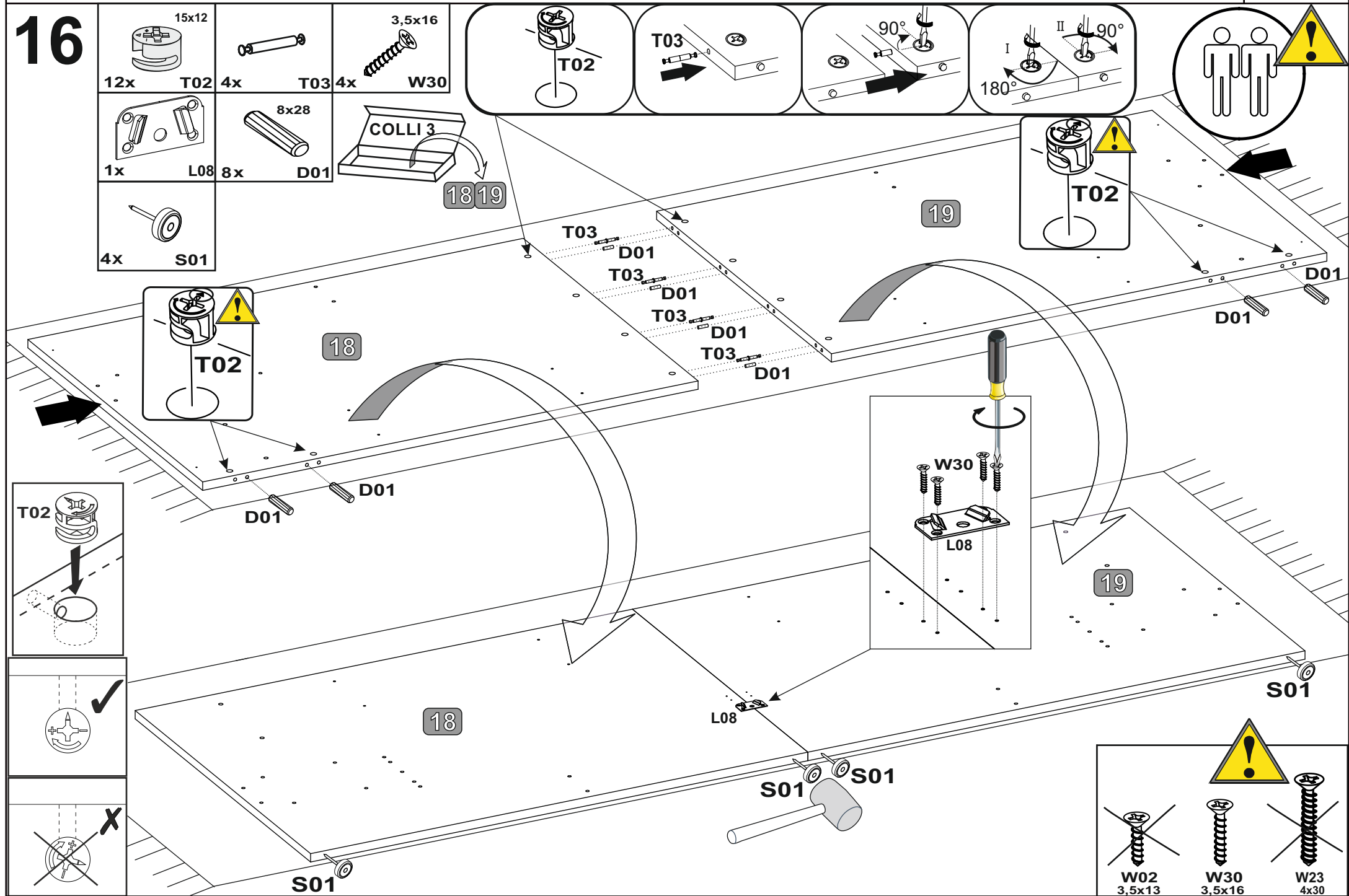
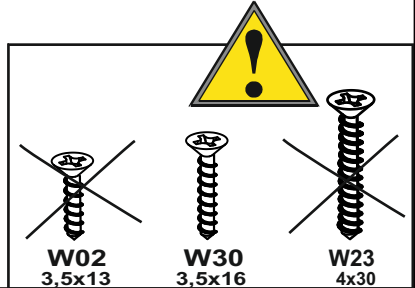
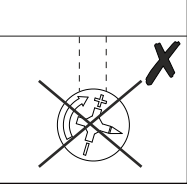
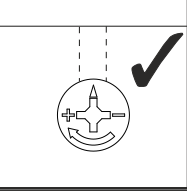
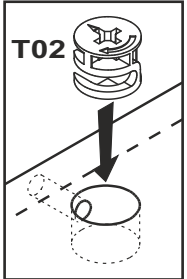
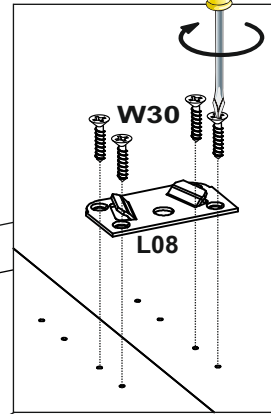
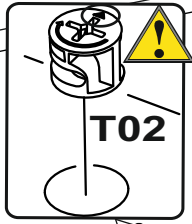
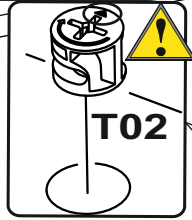
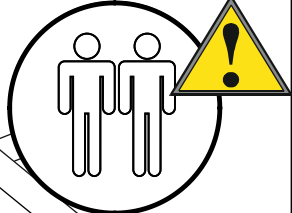
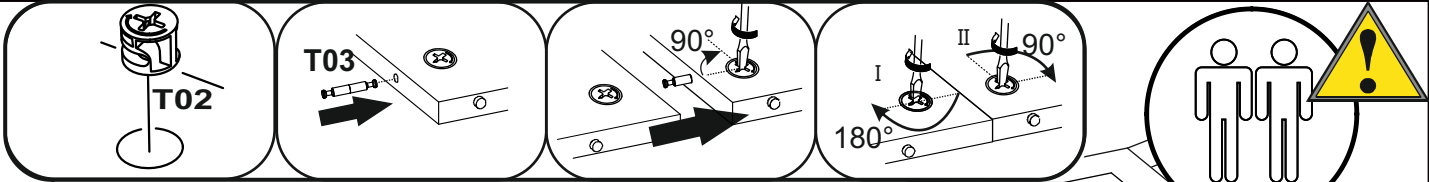
- 4x T01
- 4x D01
- 6x T02
- 1x L08
- 4x S01
- 4x W30



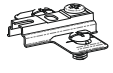
6x

16

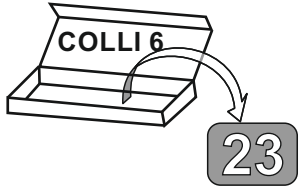
- 15x12 T02 12x
- 4x T03
- 3,5x16 W30 4x
- 1x L08
- 8x28 D01 8x
- COLLI 3
- 4x S01



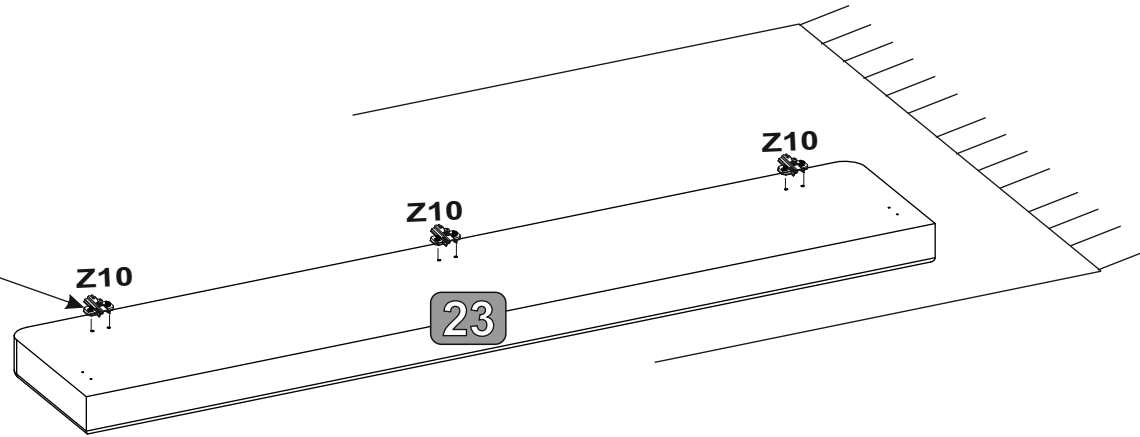
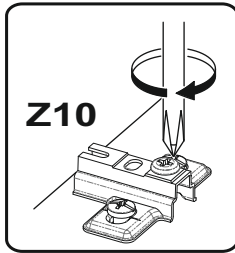
17



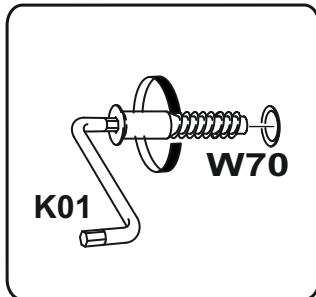
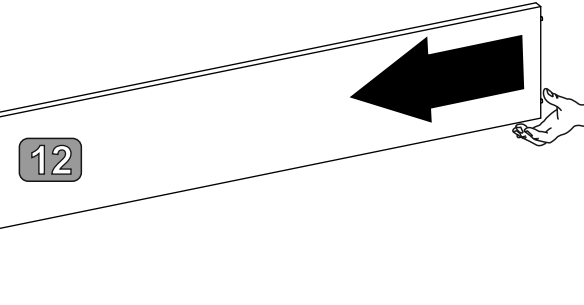
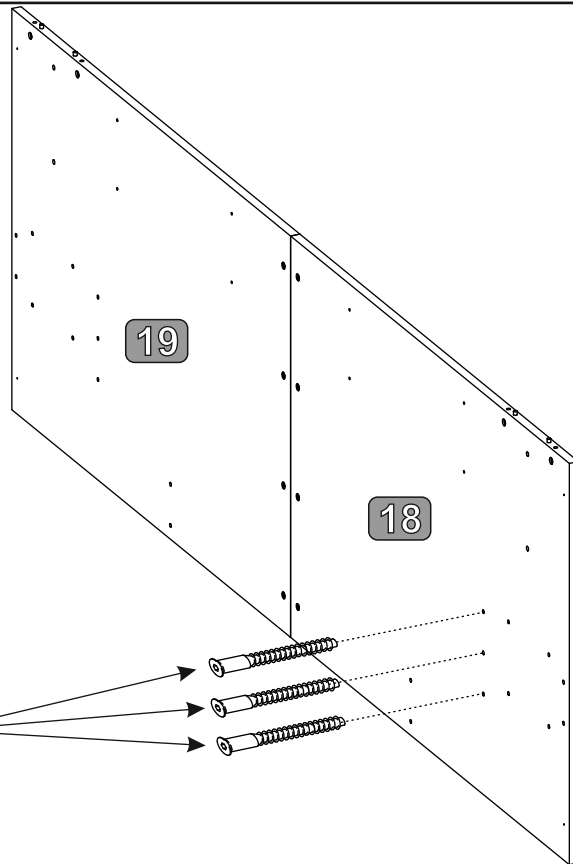
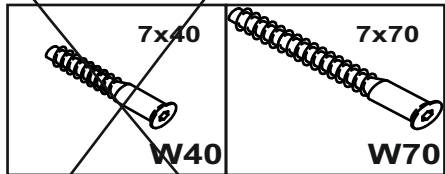
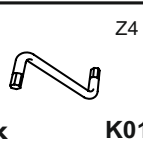
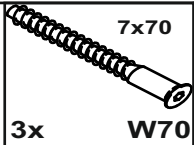
3x Z10



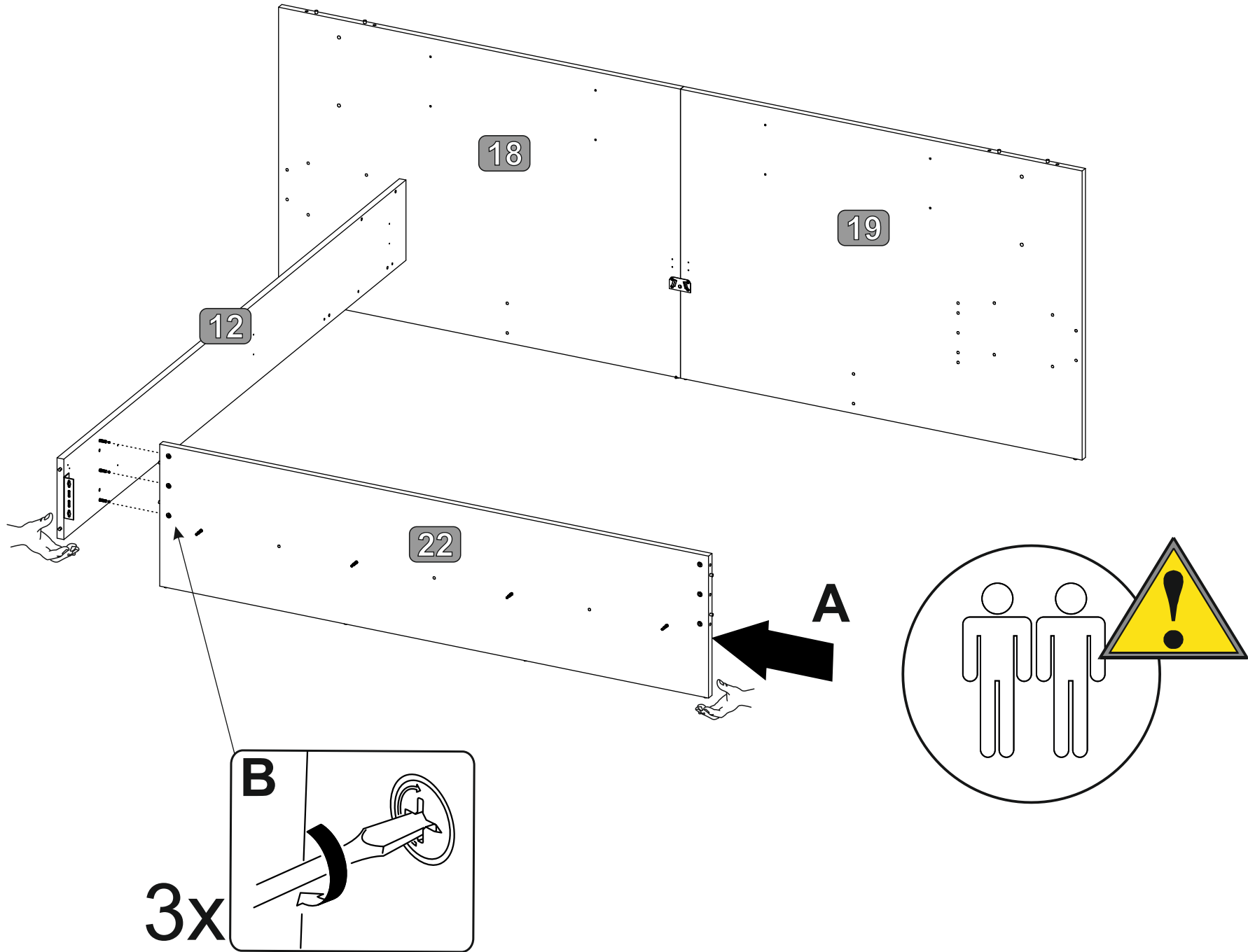
3x



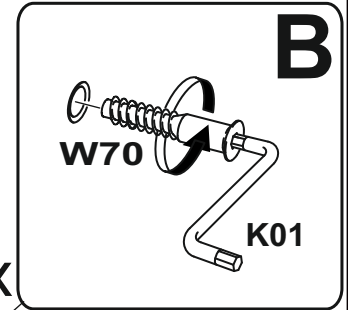
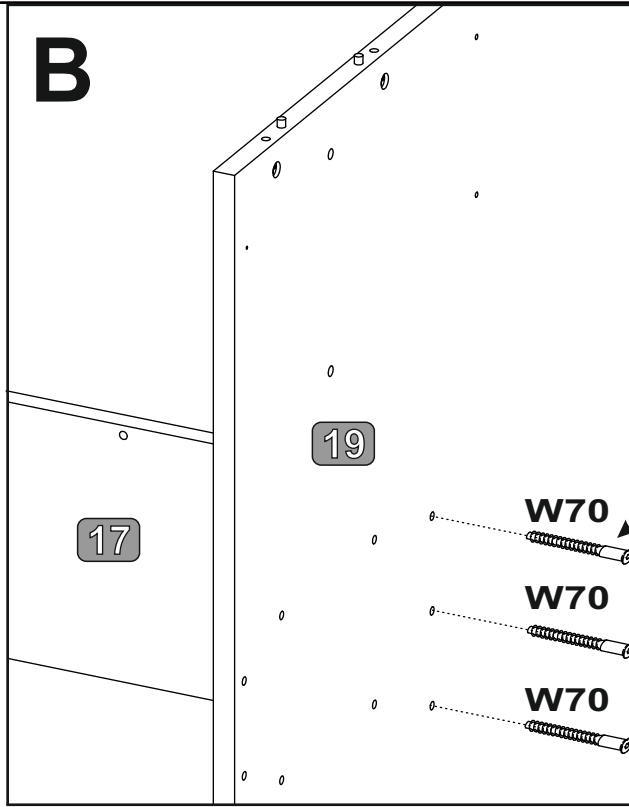
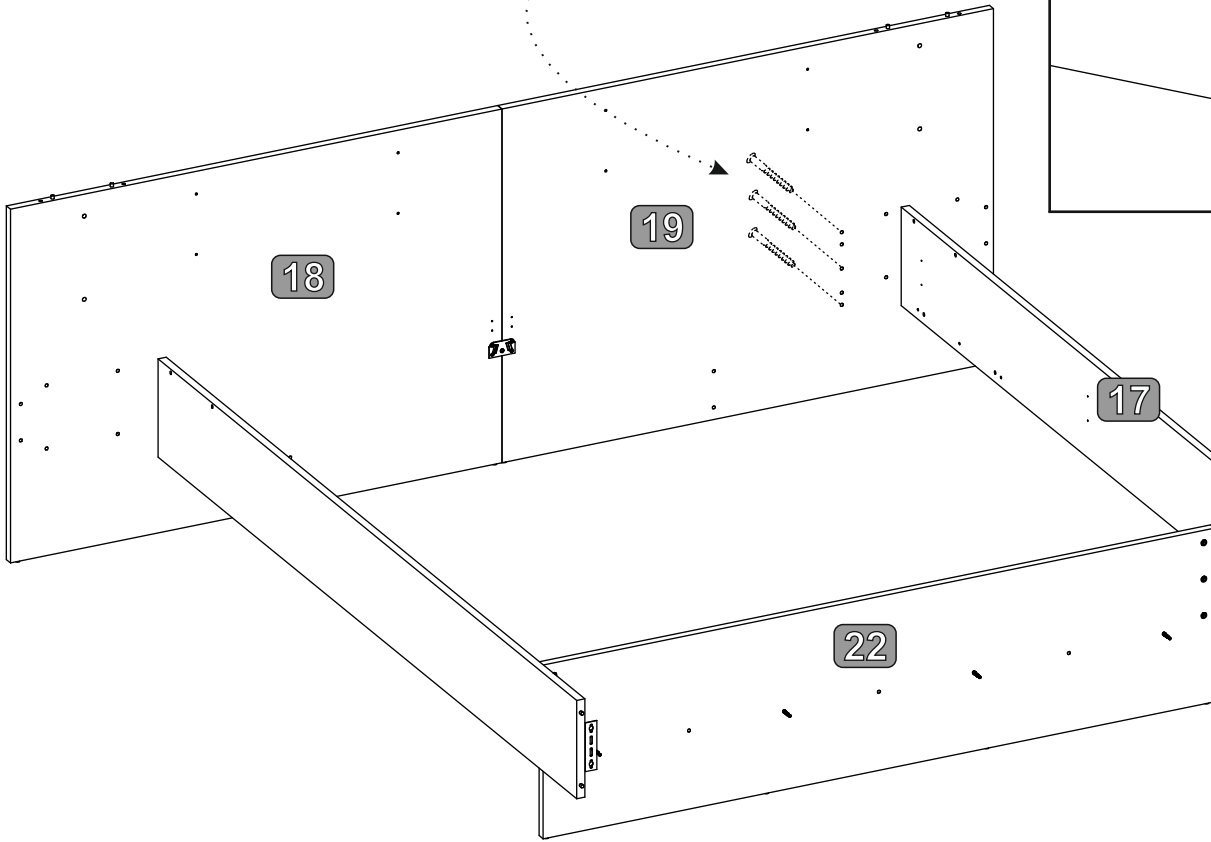
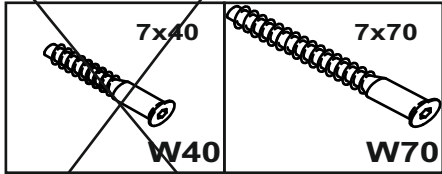
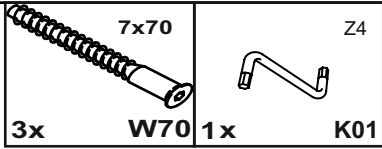
18



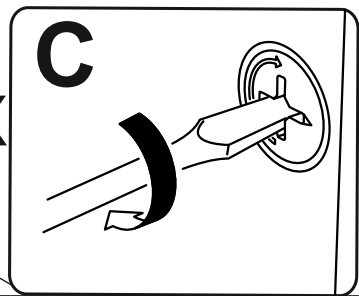
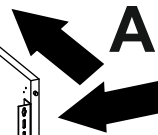
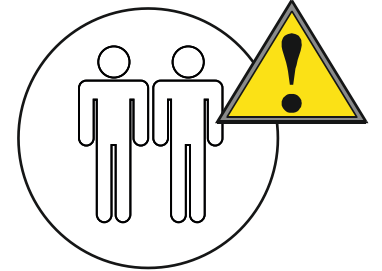
19



20

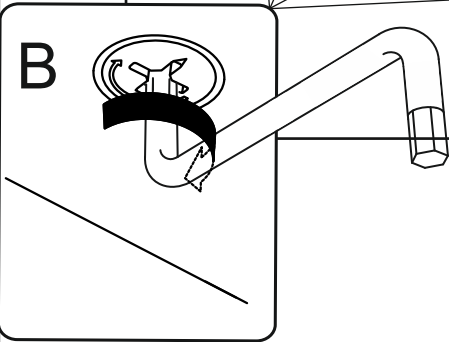
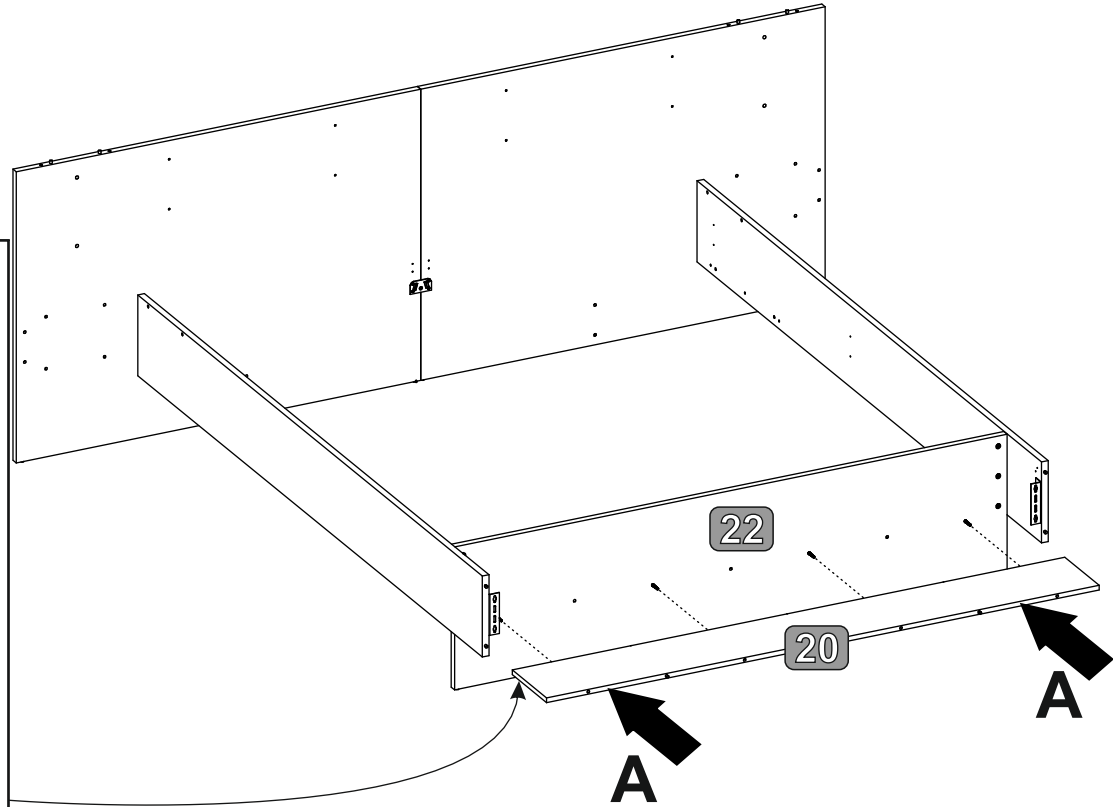
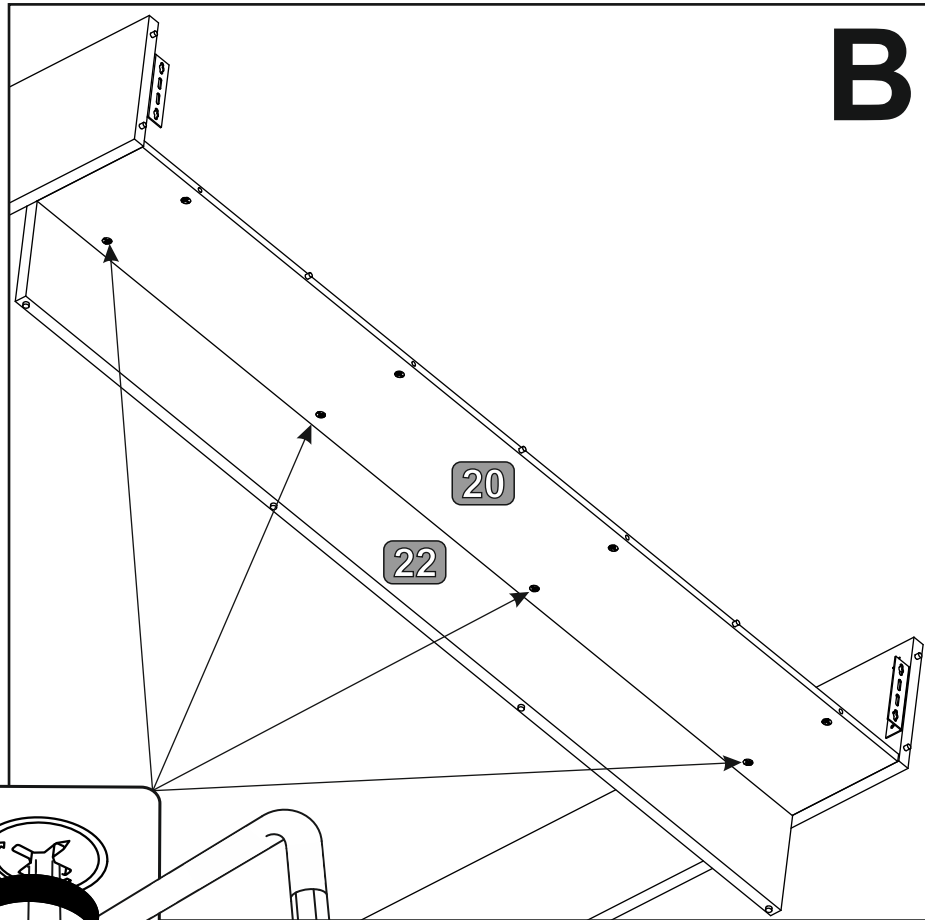
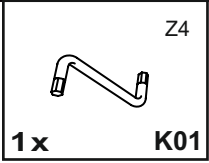


3x

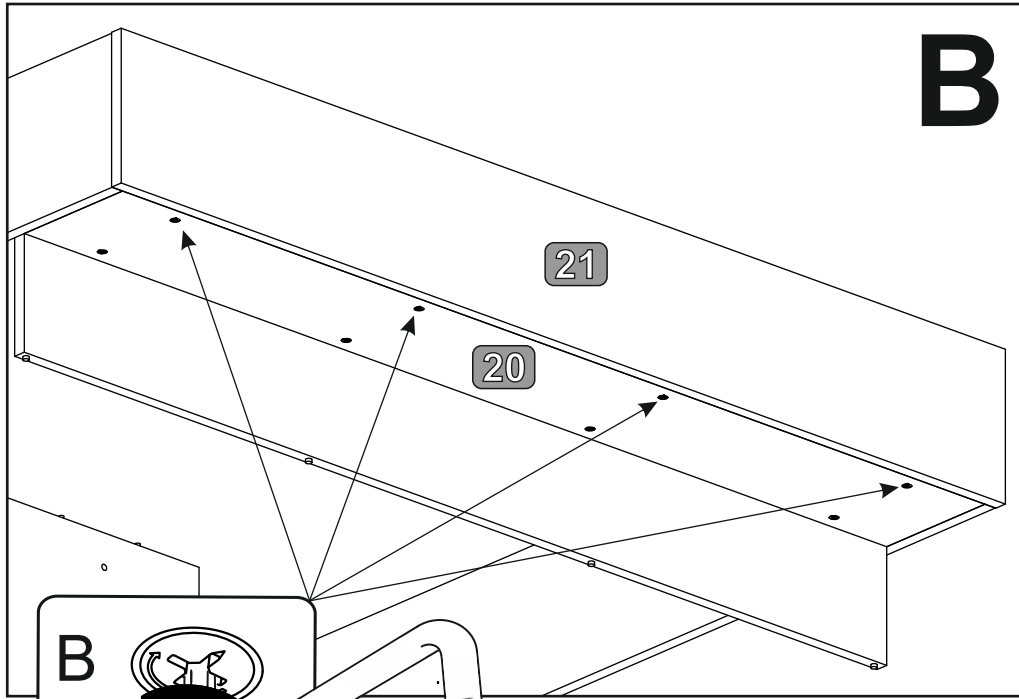
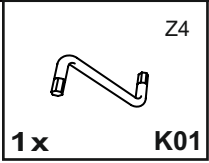


3x

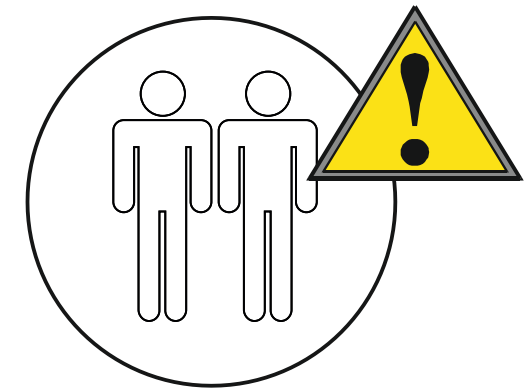
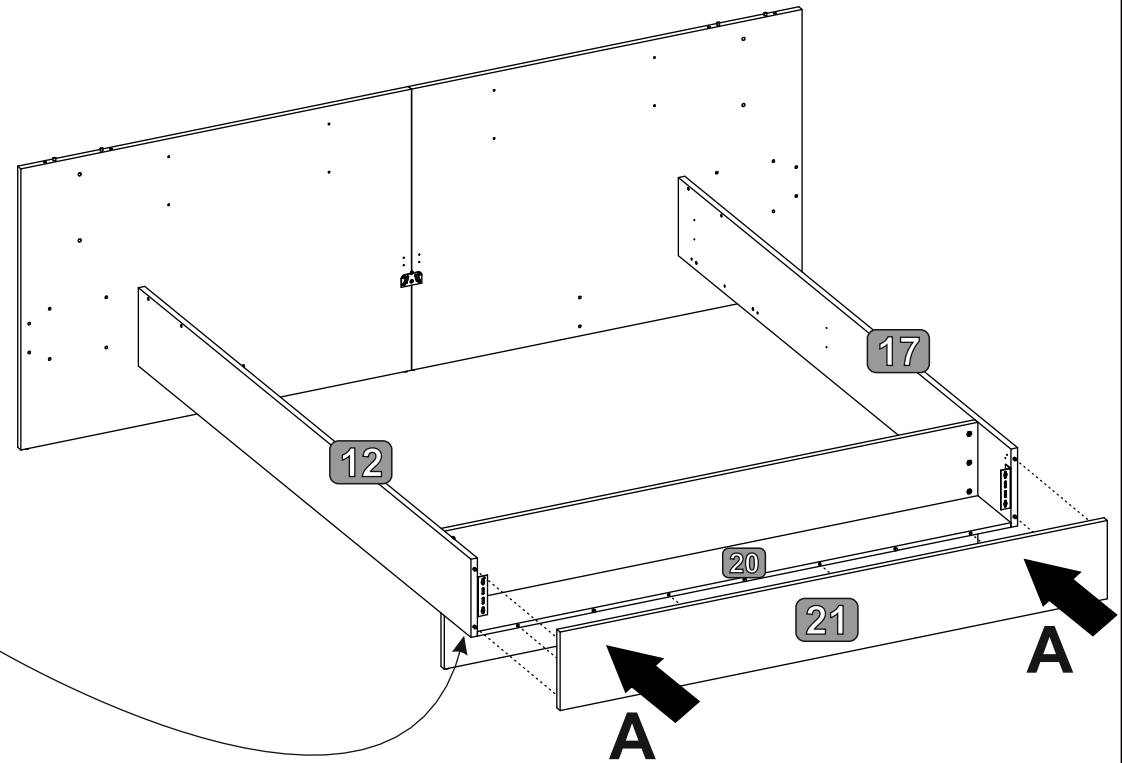
21



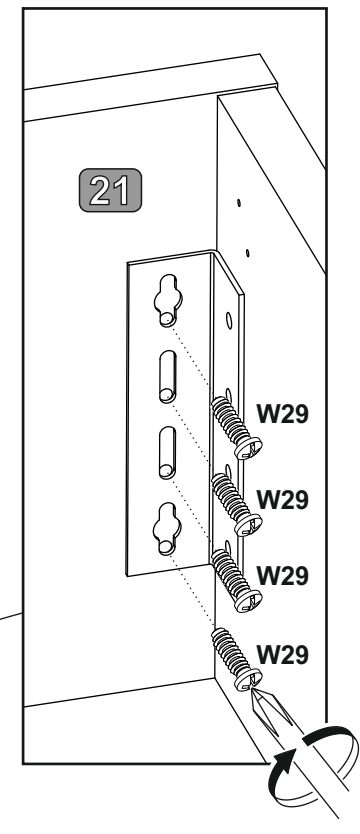
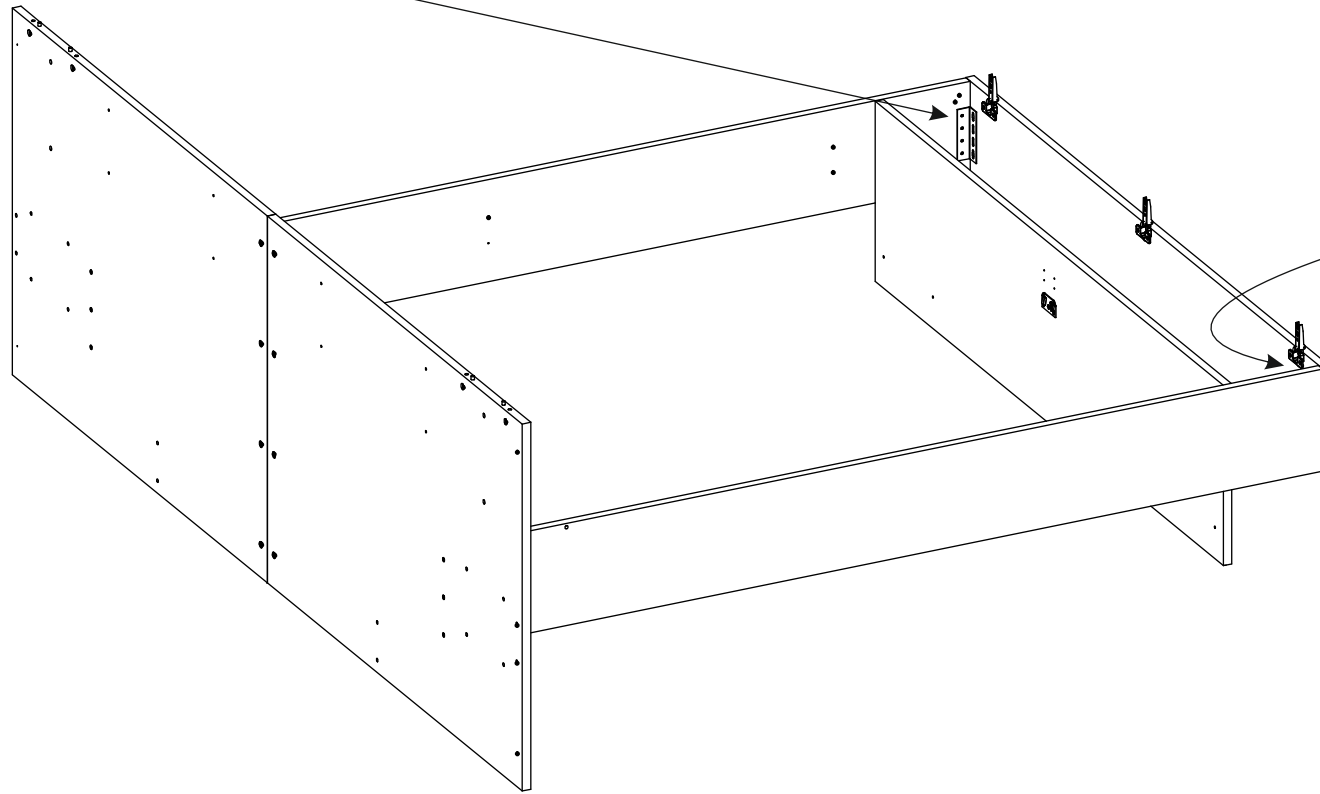
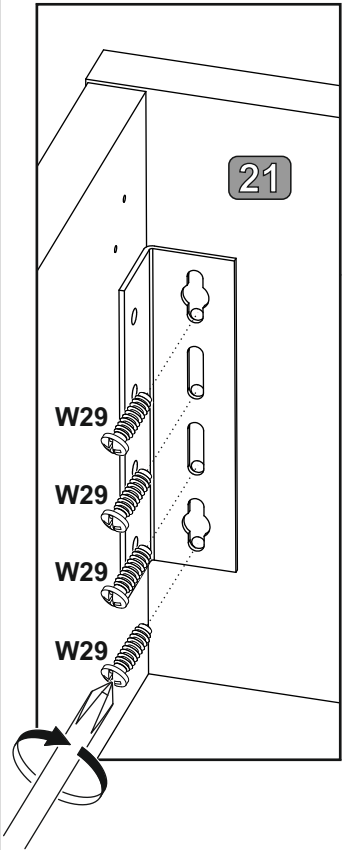
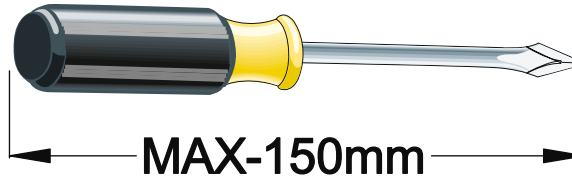
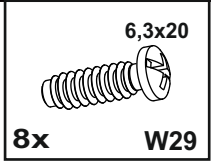
22



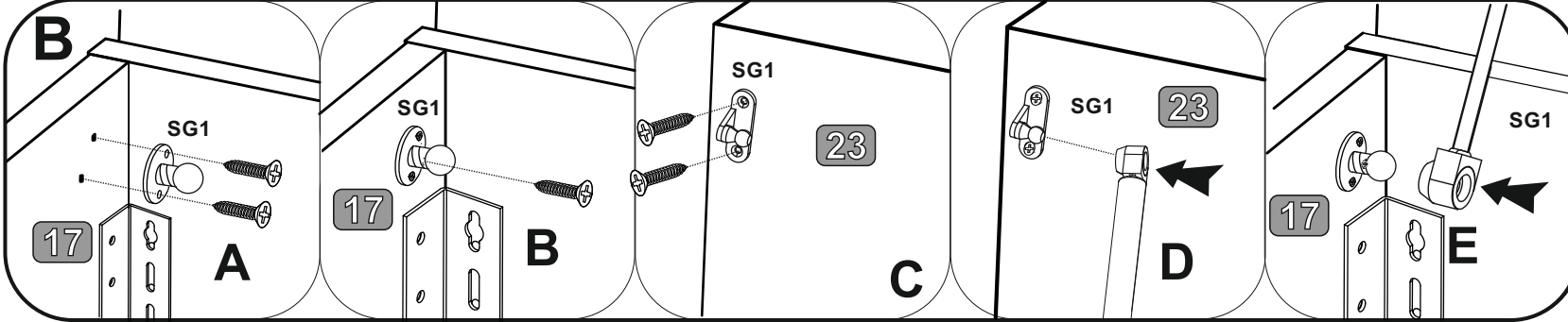
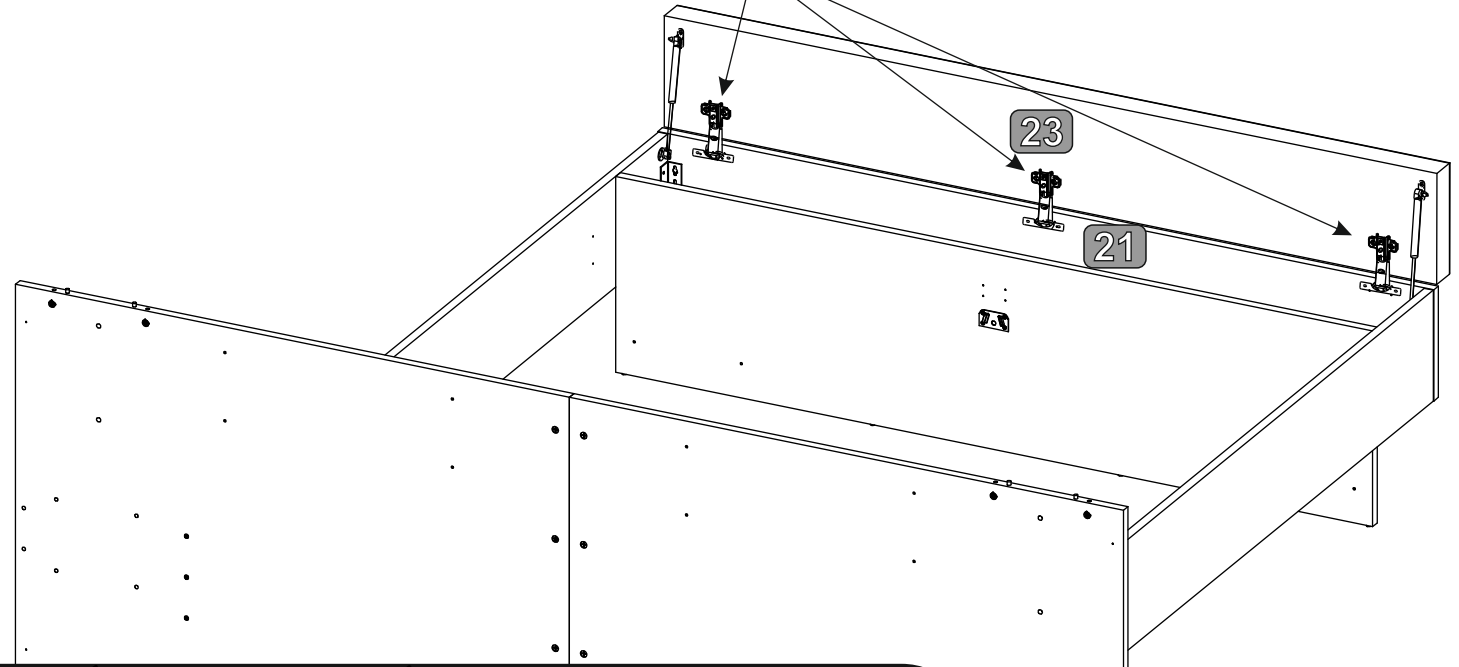
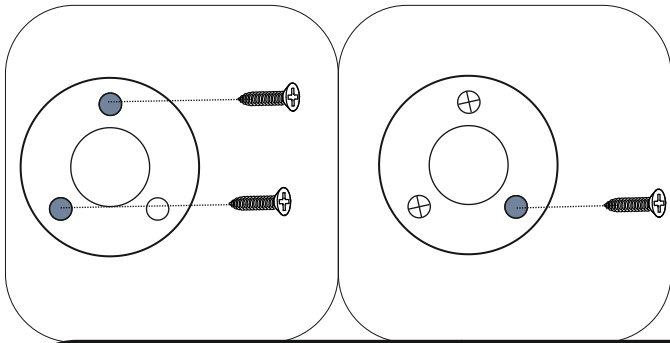
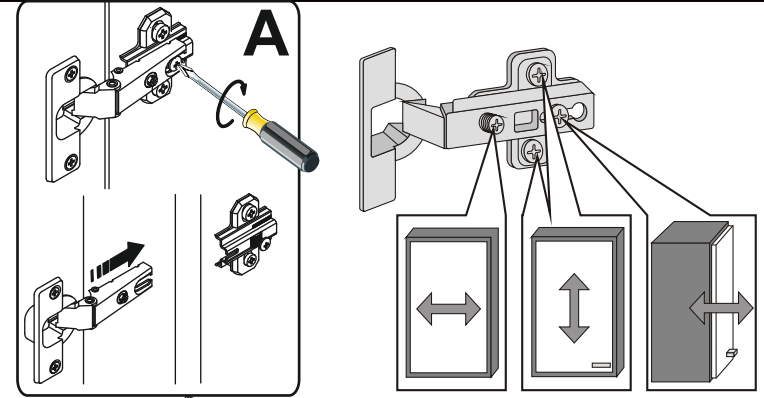
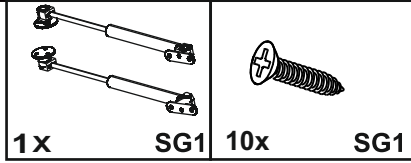
B



23

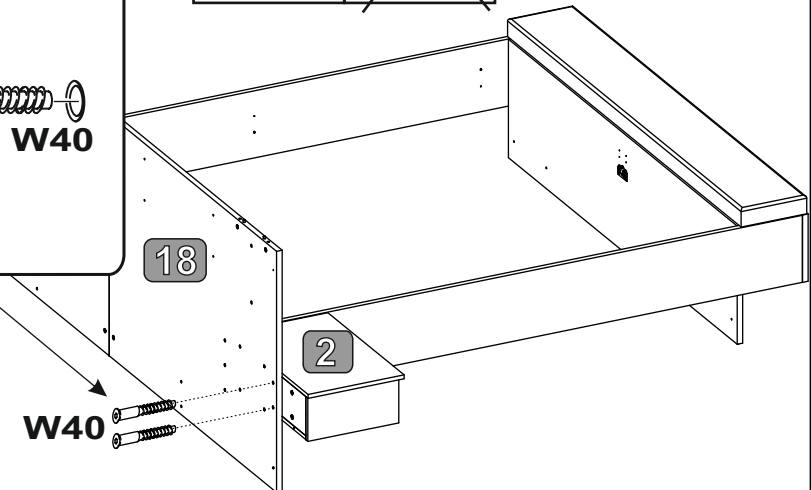
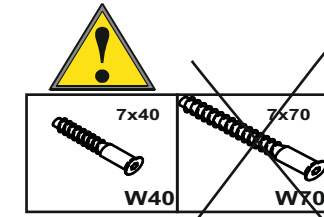
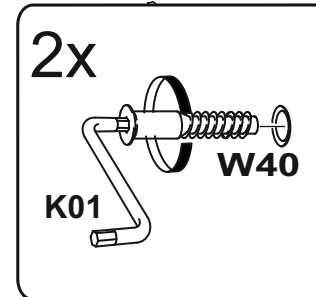
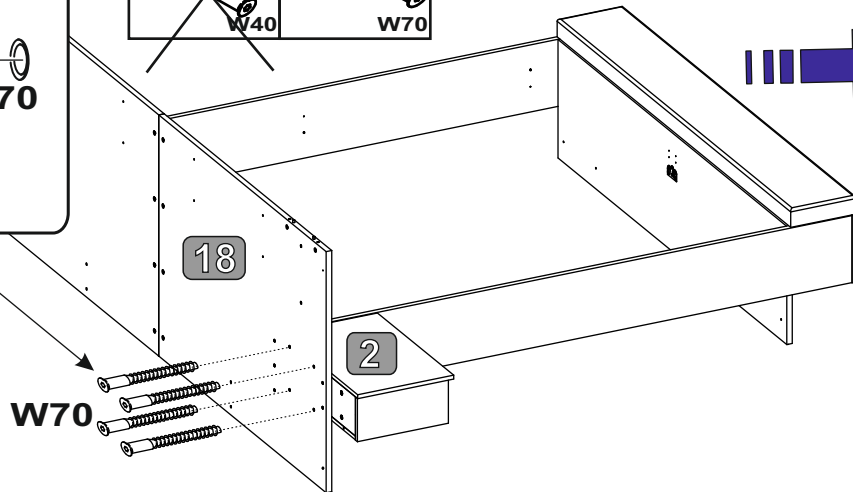
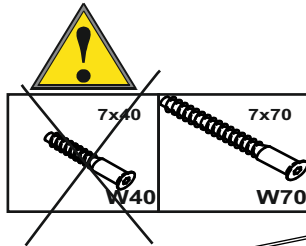
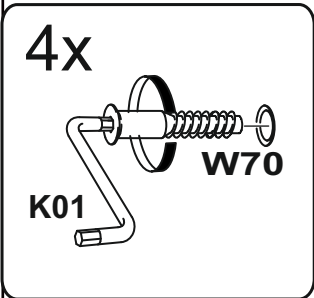
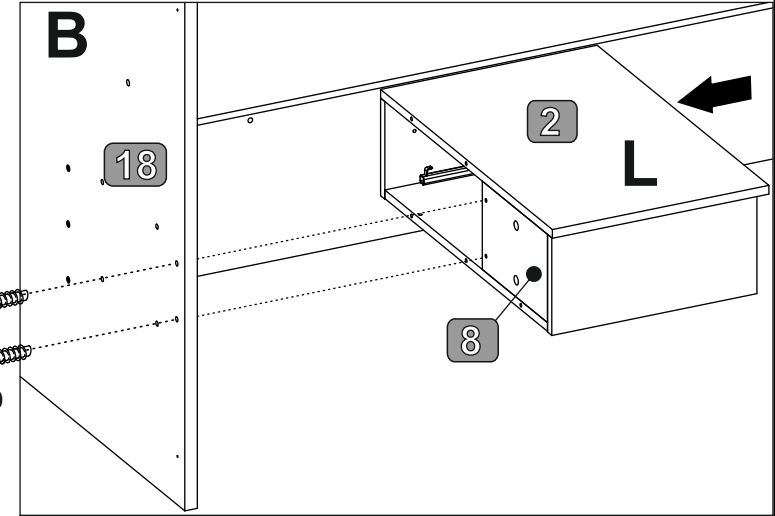
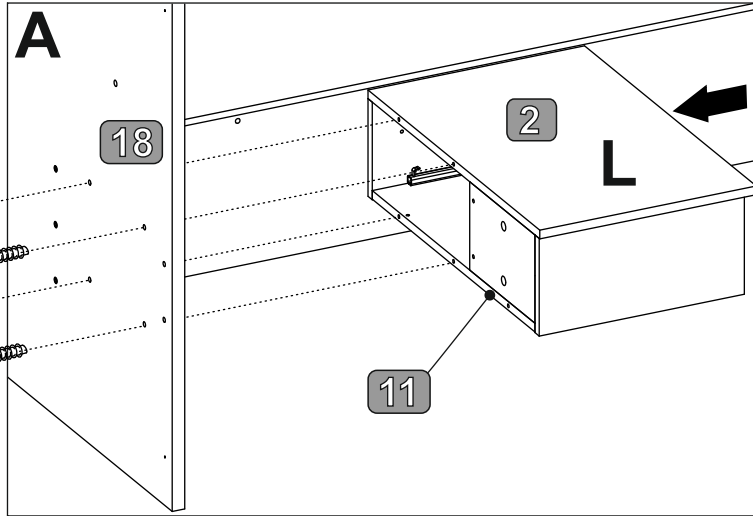
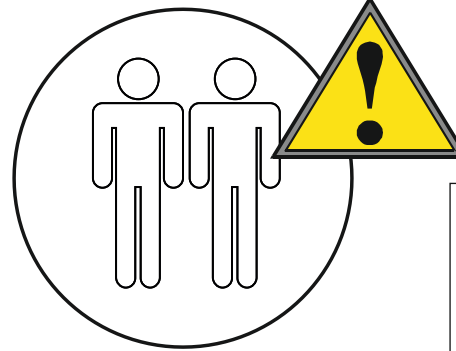


24



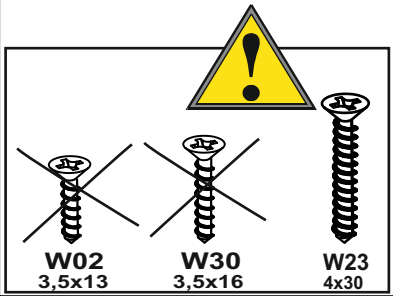
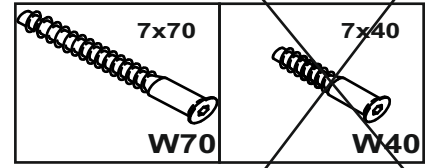
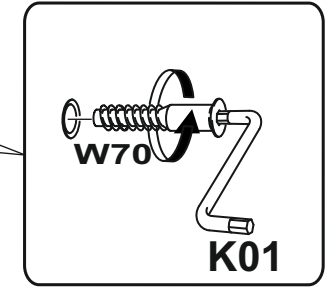
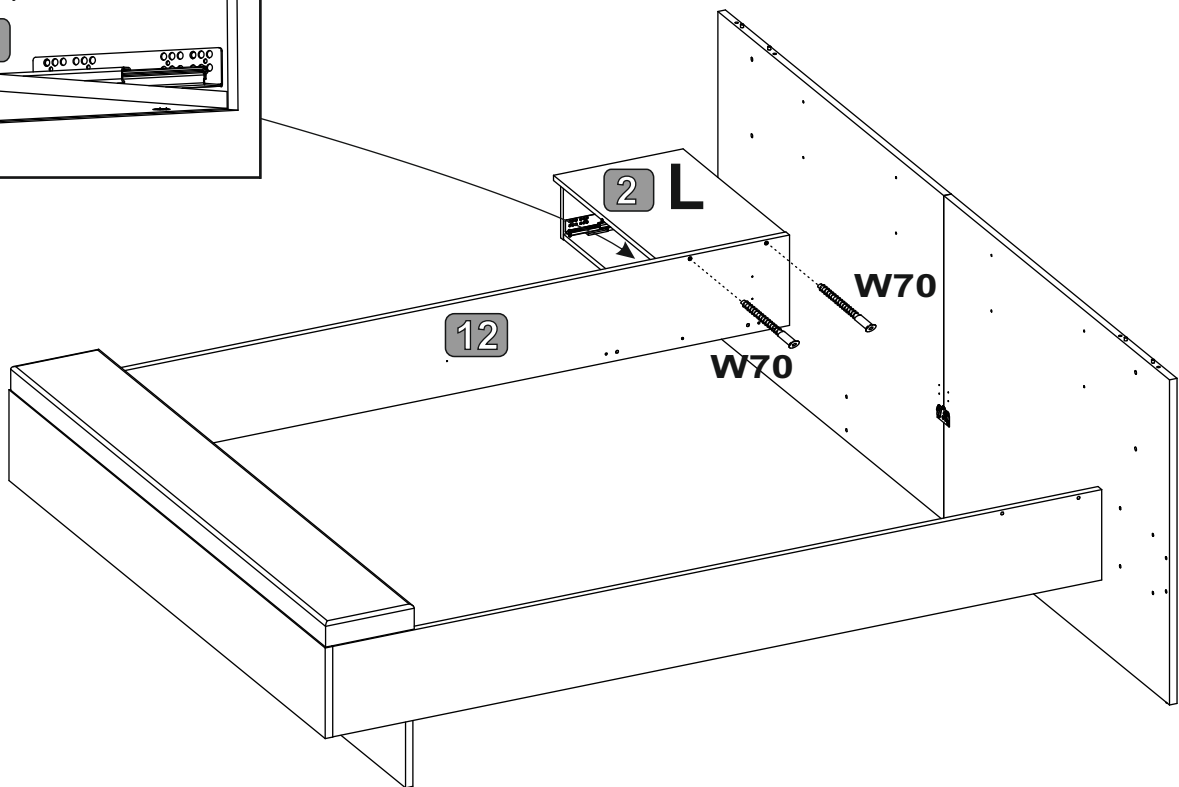
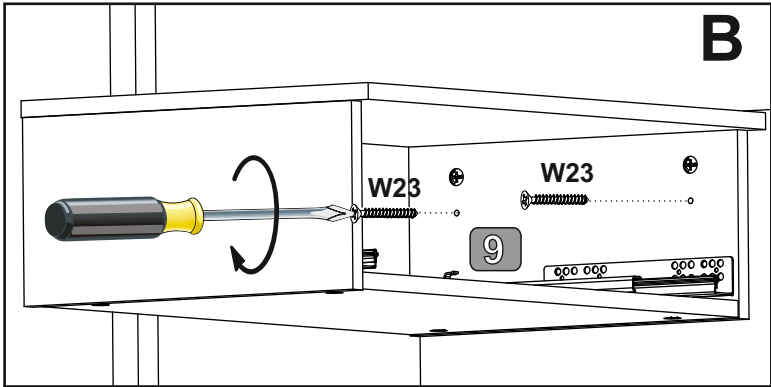
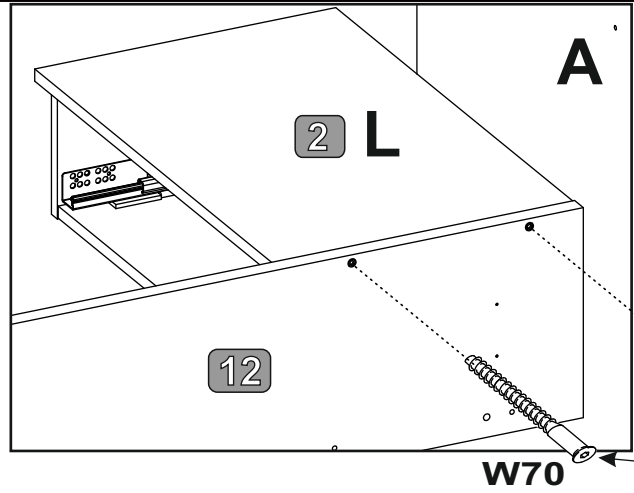
25

7x40	7x70	Z4
2x	4x	1x
W40	W70	K01



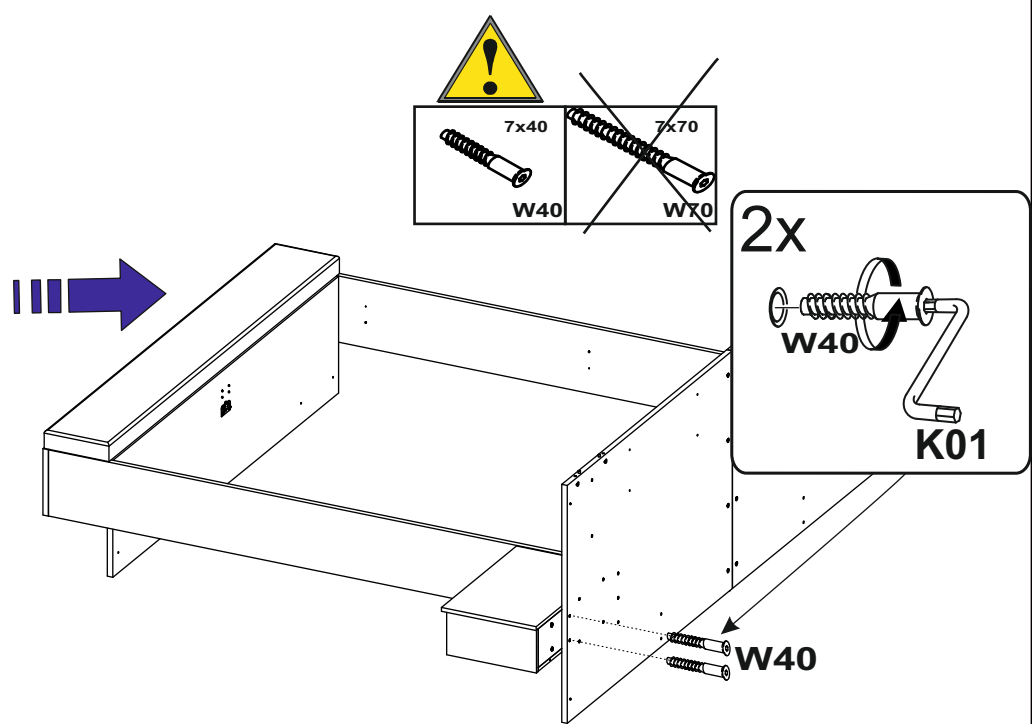
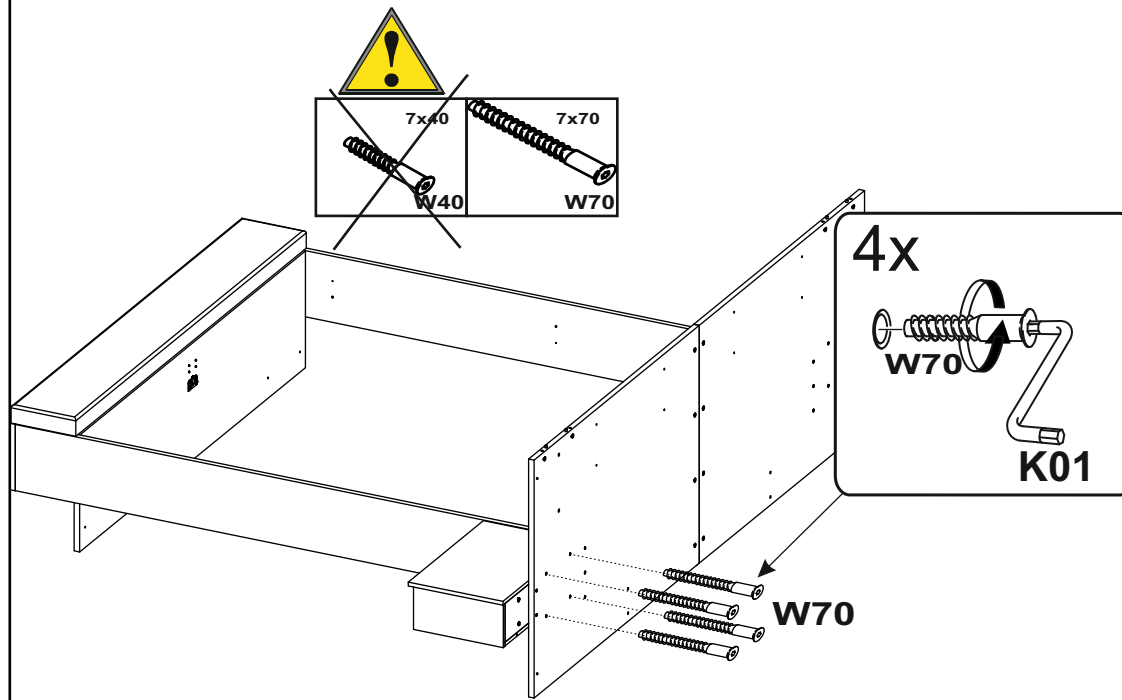
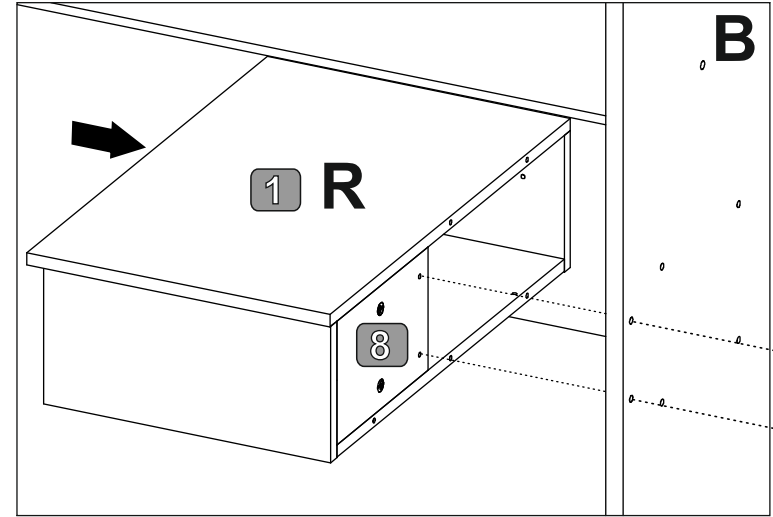
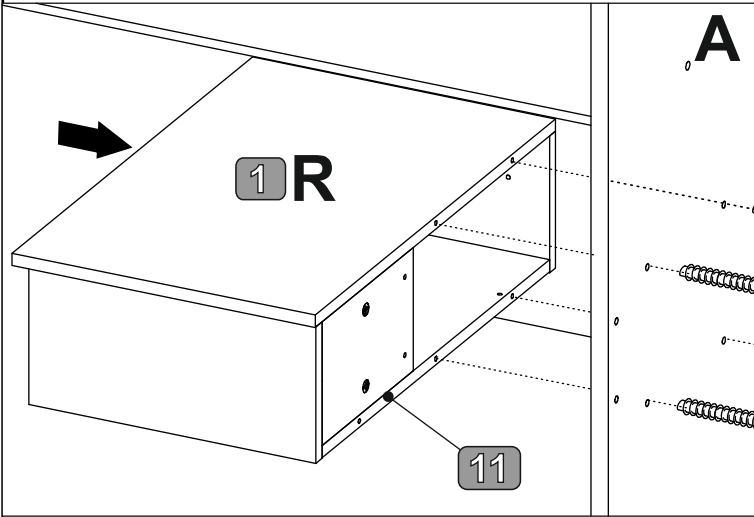
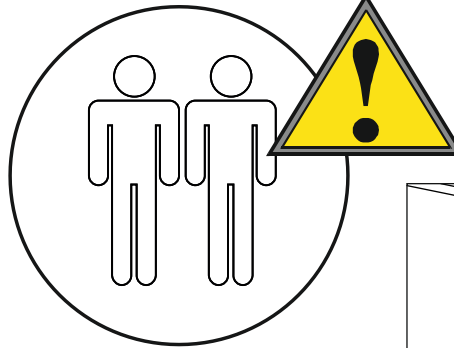
26

7x70	Z4
2x W70	1x K01
4x30	
2x W23	



27

7x40 W40	7x70 W70	Z4 K01
2x	4x	1x

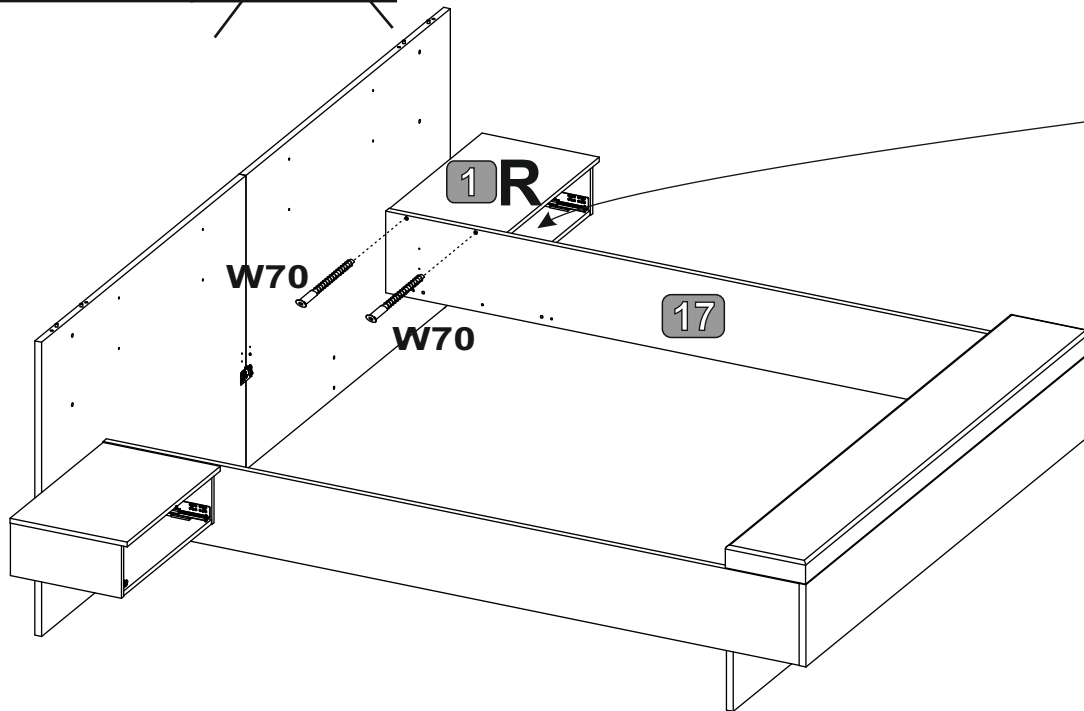
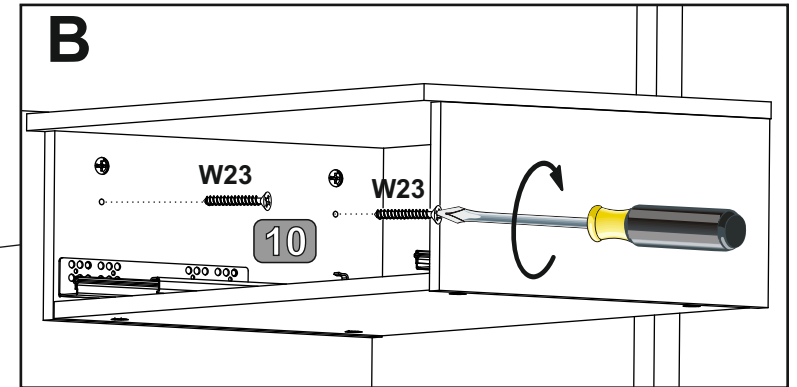
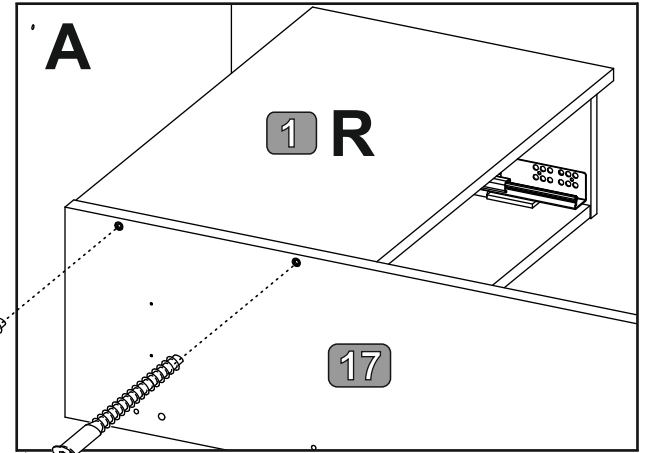
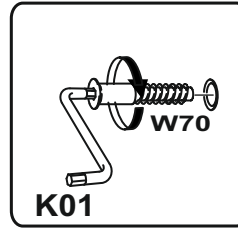


28

7x70 2x W70	Z4 1x K01
4x30 2x W23	

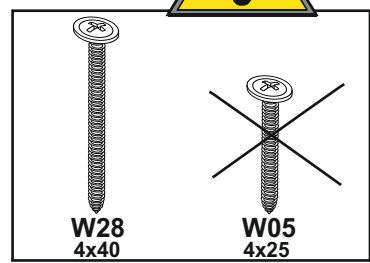
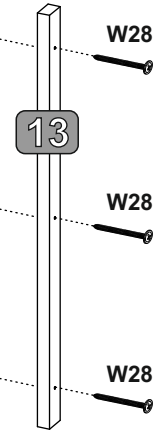
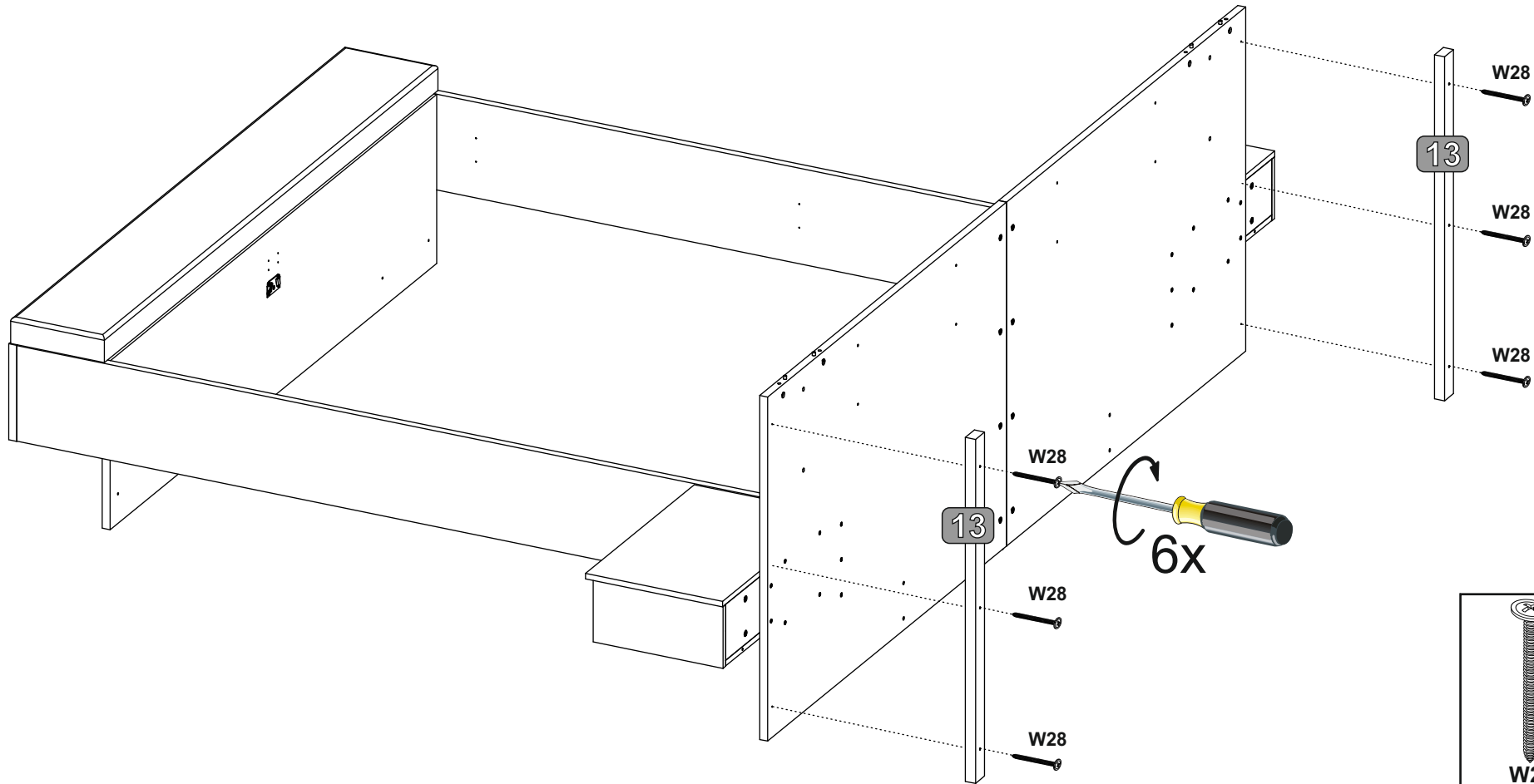
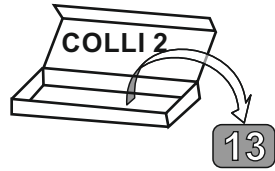
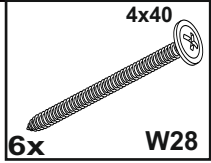


7x70 W70	7x40 W40
-------------------------	-------------------------

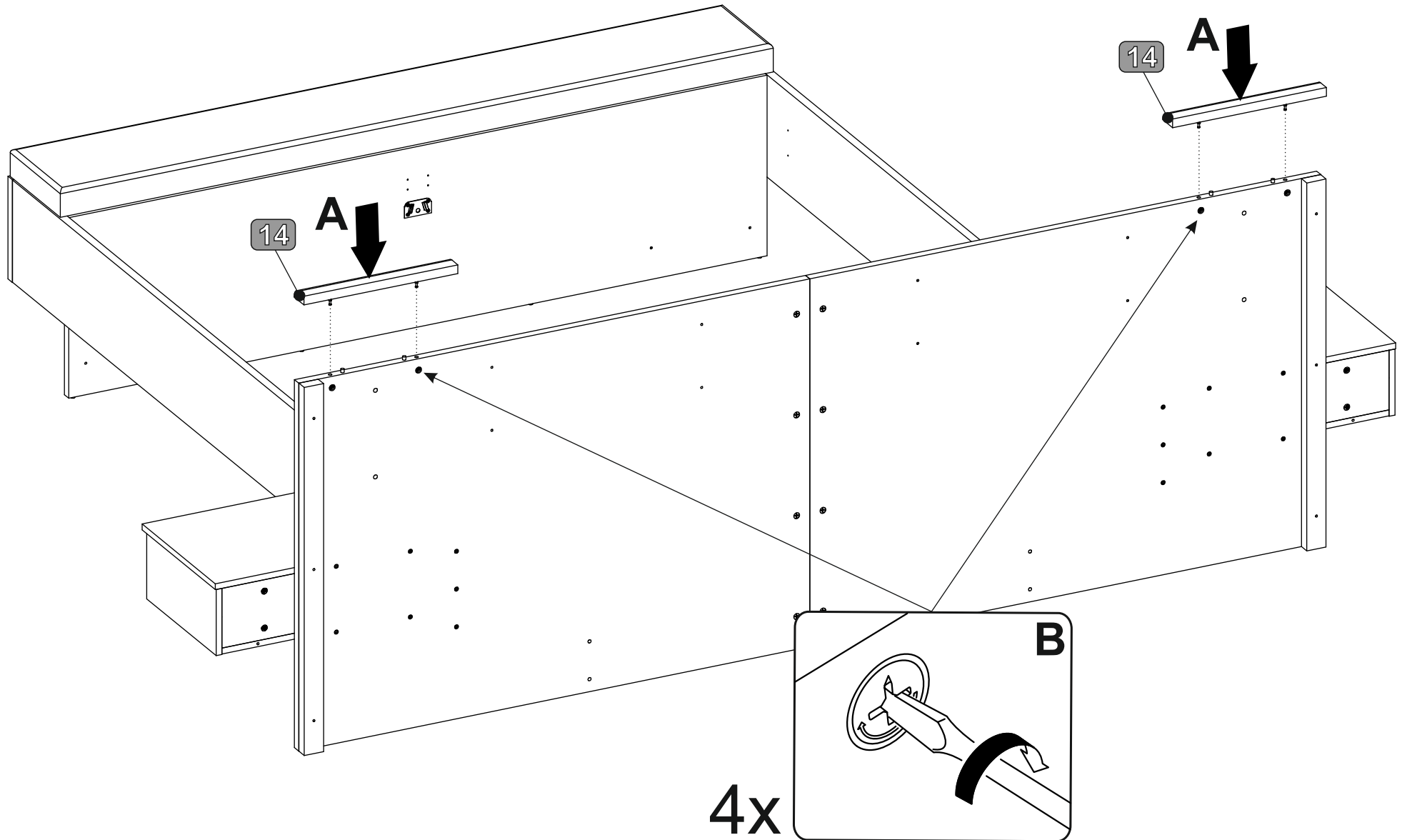


W02 3,5x13	W30 3,5x16	W23 4x30
---------------------------	---------------------------	-------------

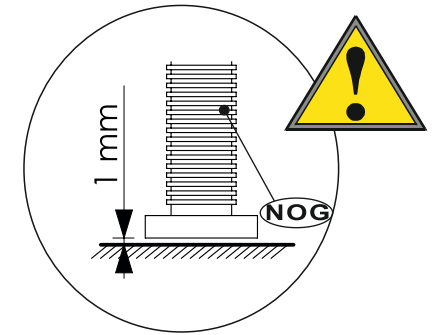
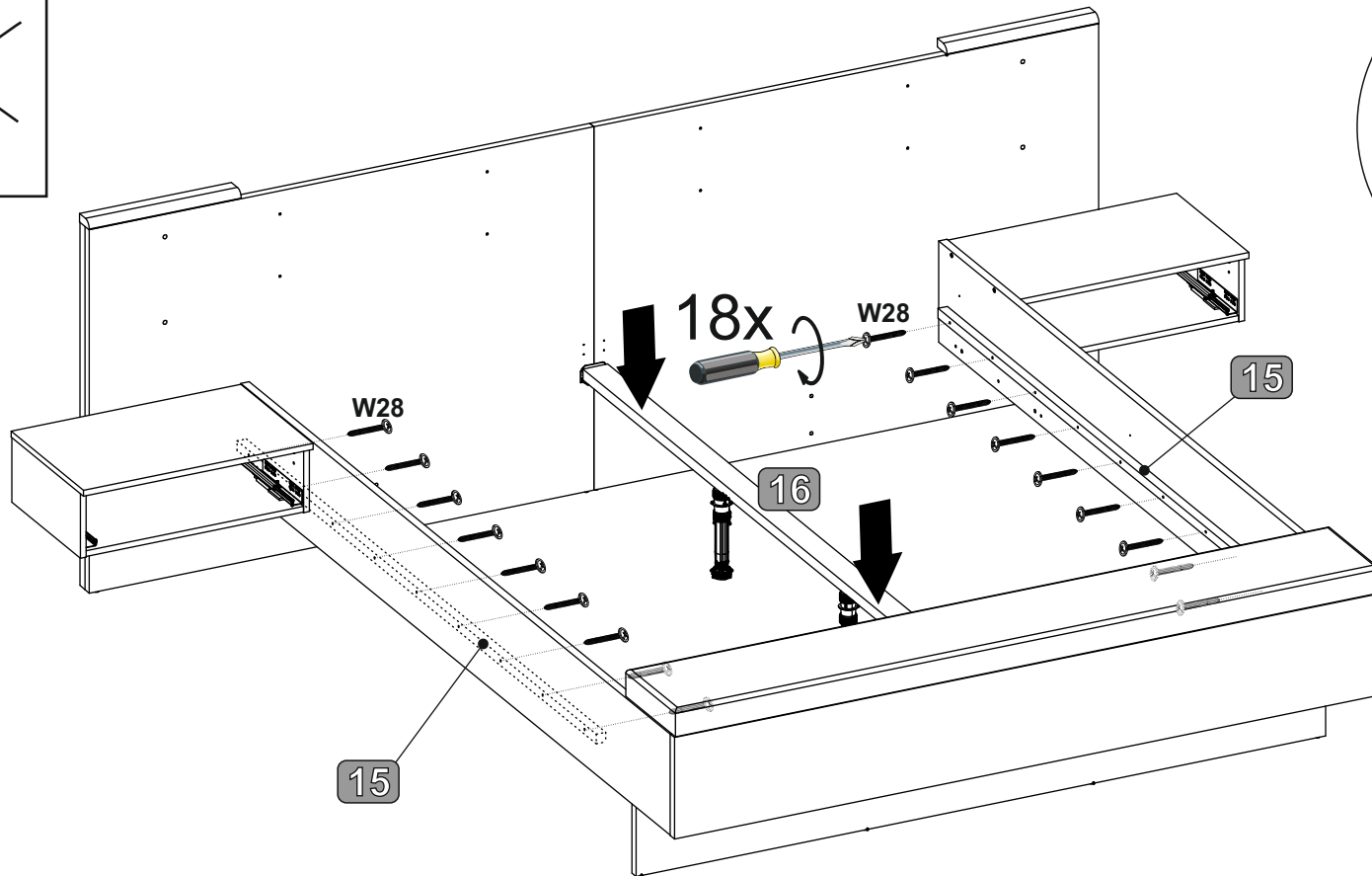
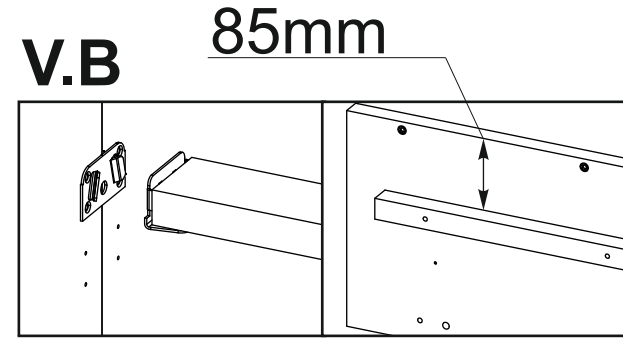
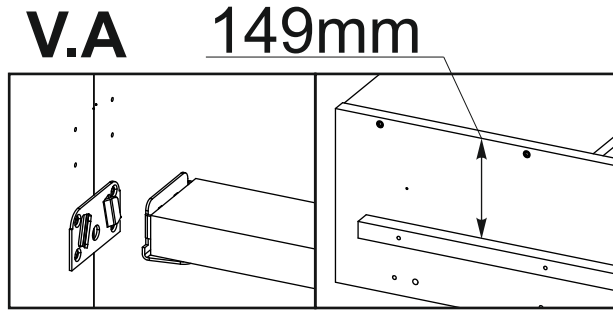
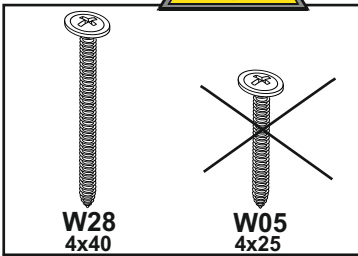
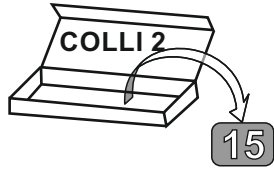
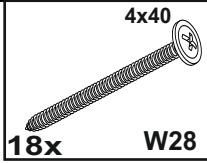
29



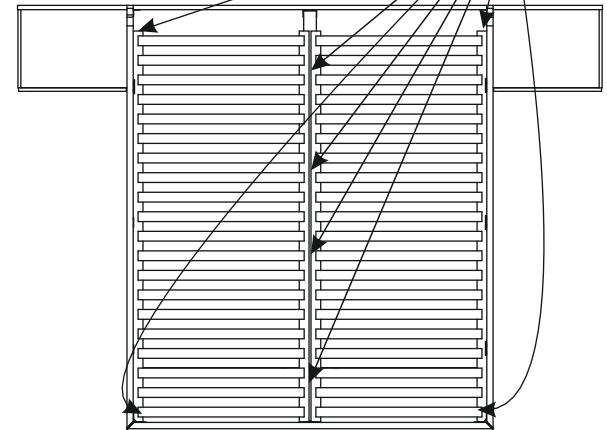
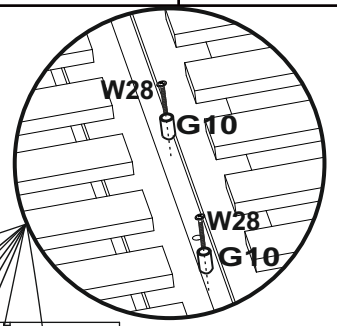
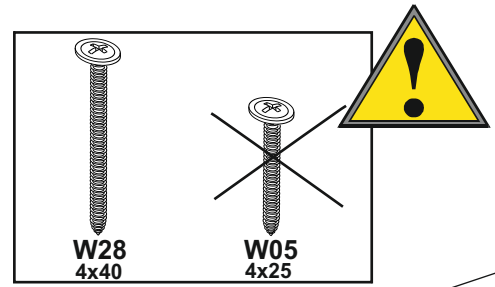
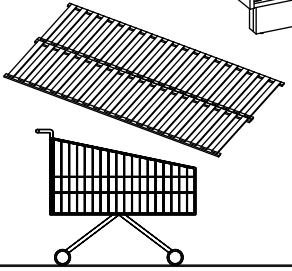
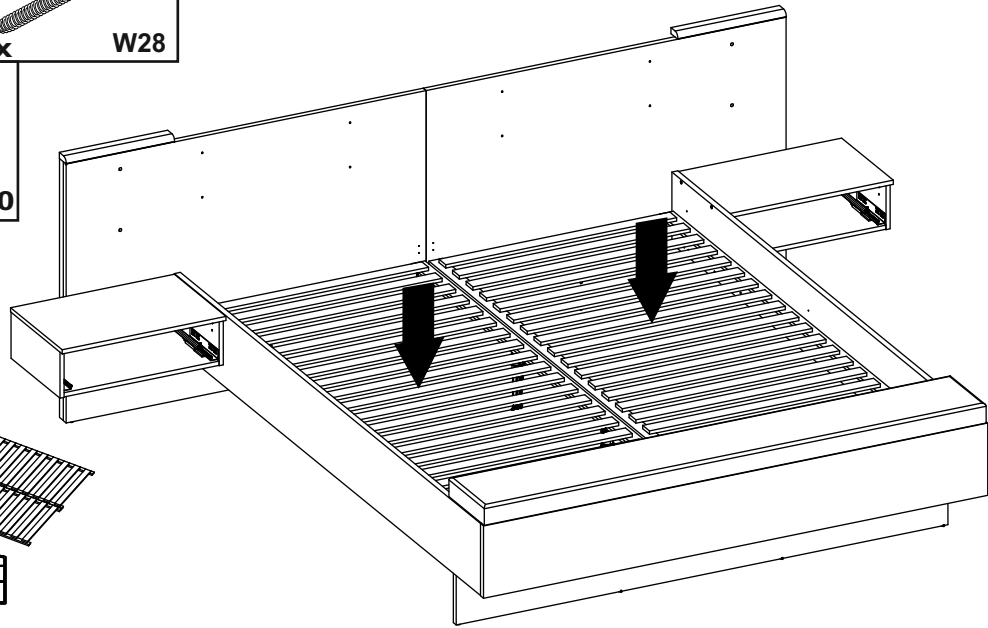
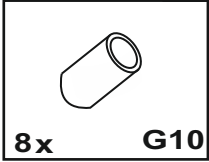
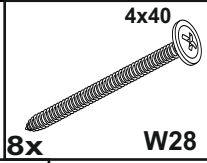
30



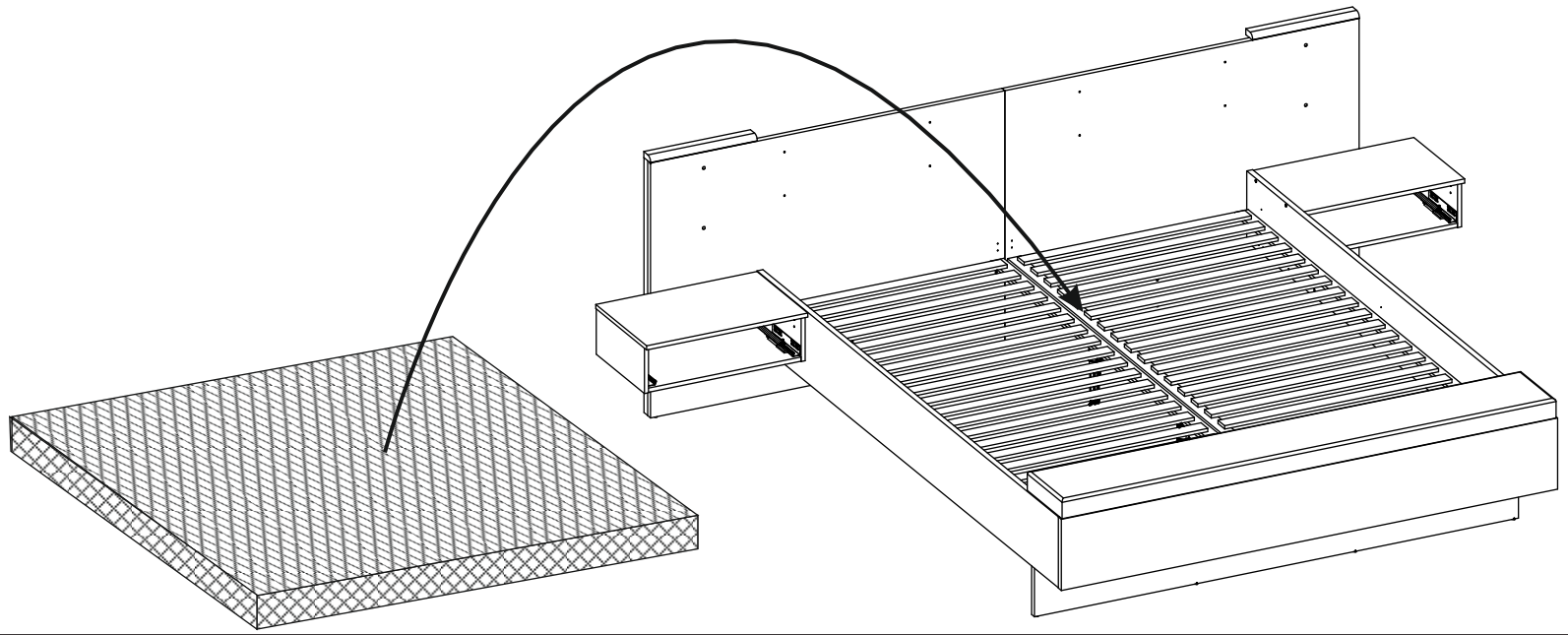
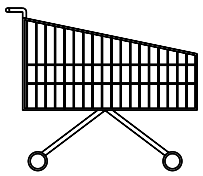
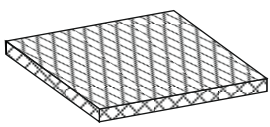
31



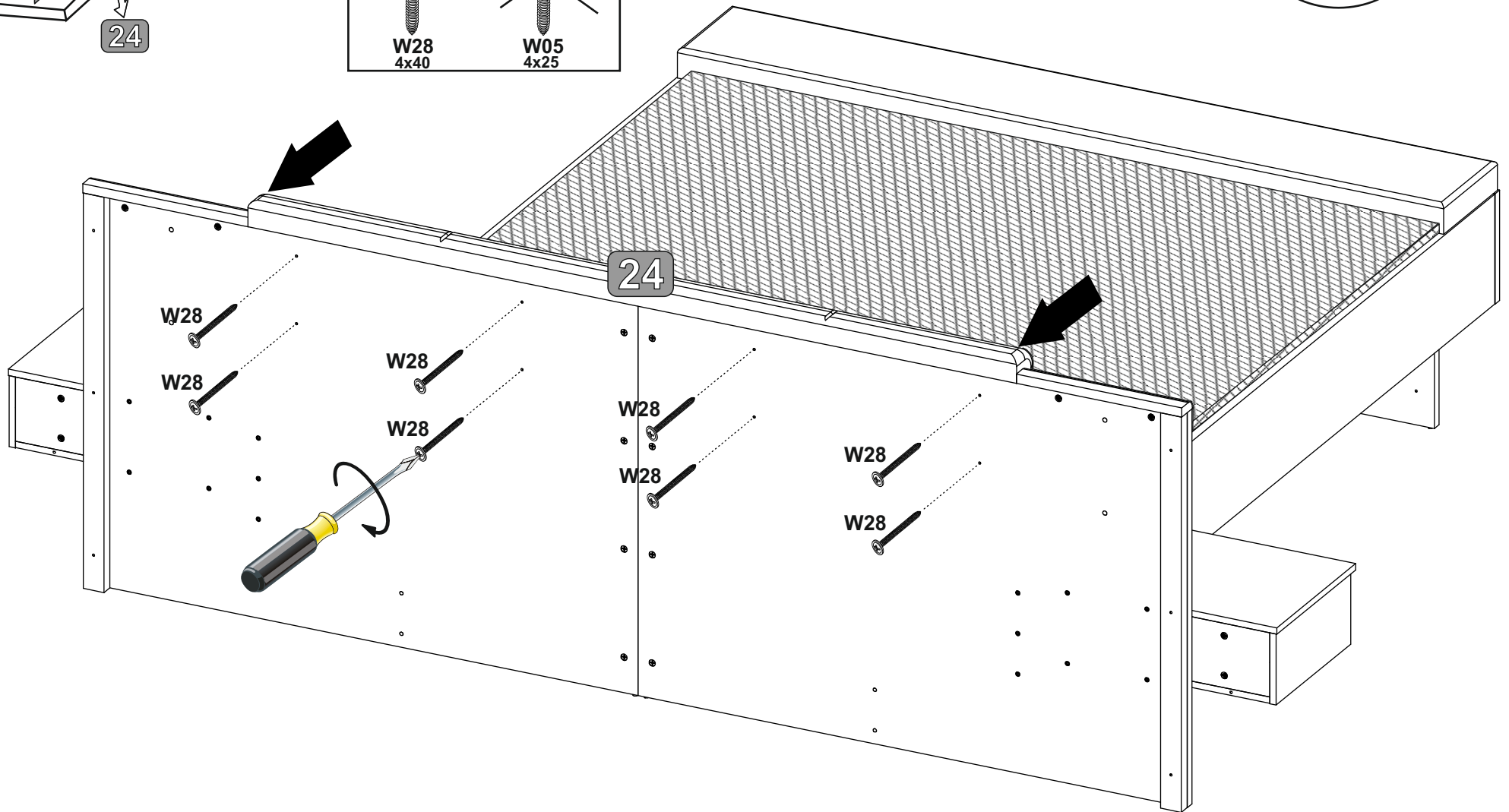
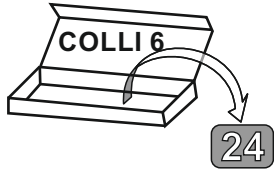
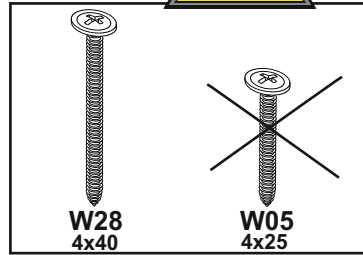
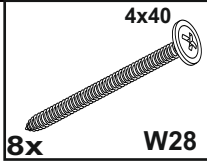
32



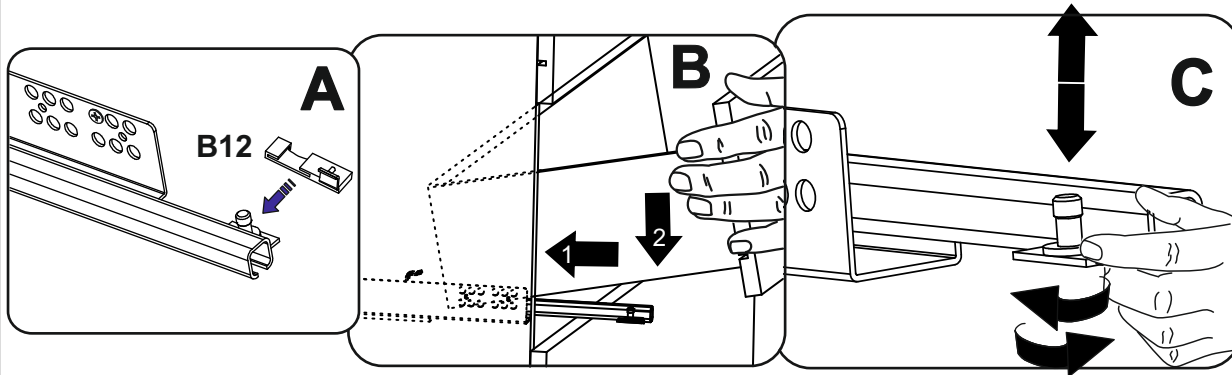
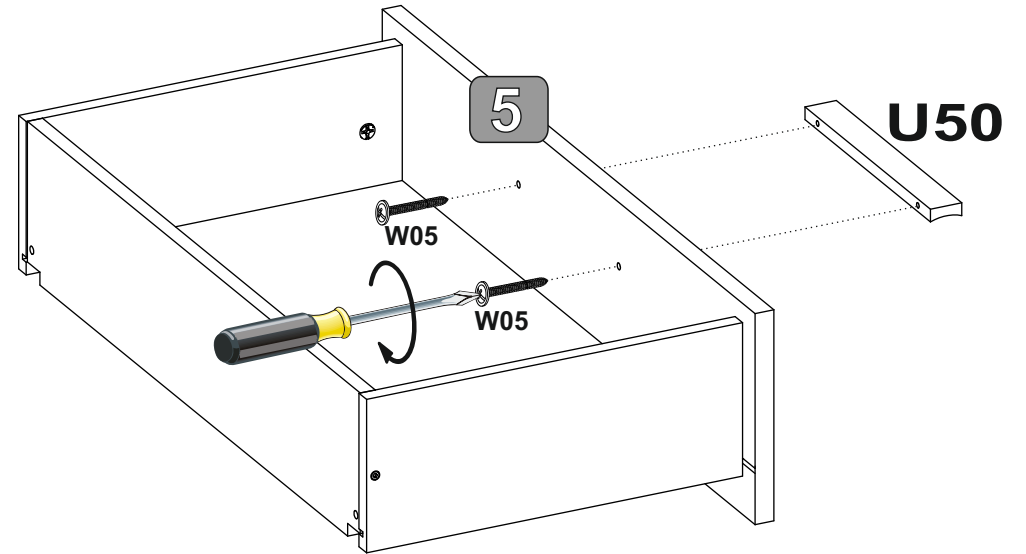
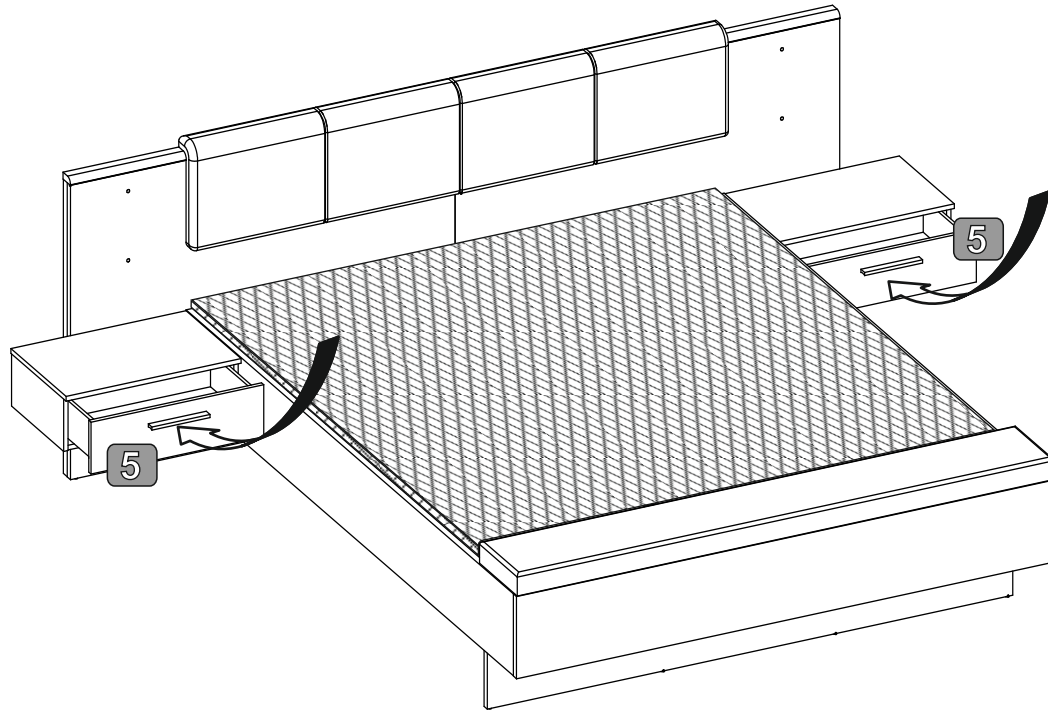
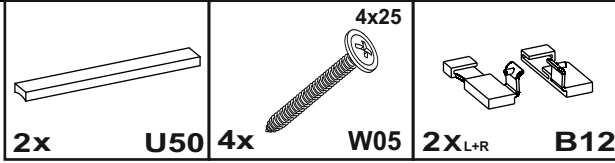
33



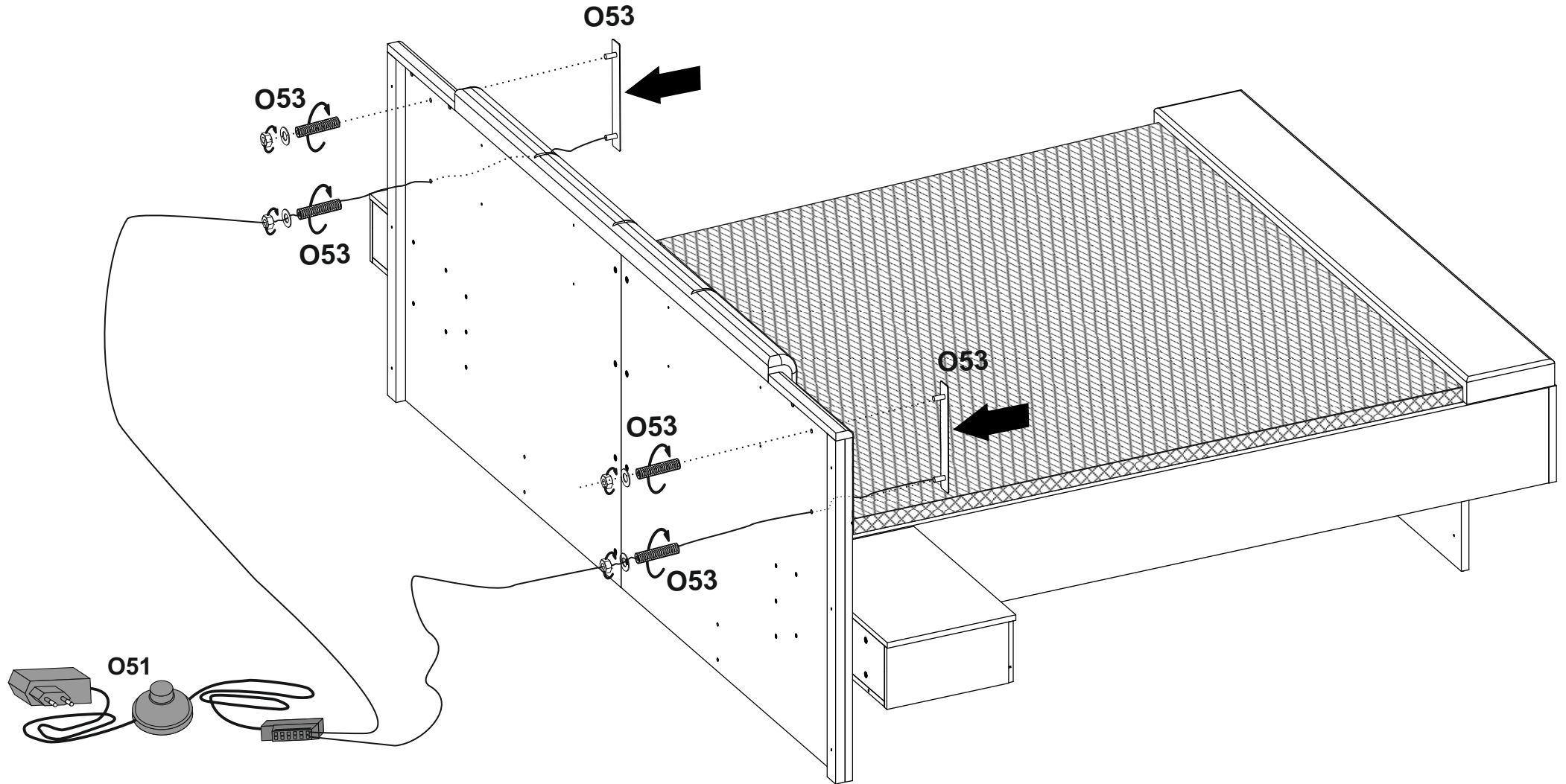
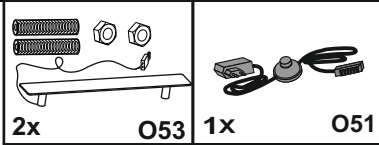
34



35



36



37

